

Zero Turn Mowers

**ZT60i & ZT72i Models(S/N748110+)
Engine Specifications**

| Engine Manufacture | Kawasaki |
|---------------------------------|--|
| Mower Model No | ZT60i & ZT72i |
| Horsepower | 27 |
| Engine Model Type | FX850V |
| Max Torque | 54.3 ft. lbs. (73.6 N.m) |
| Charging System | 12-volt, 13 amp w/Kawaski Engine |
| Starter | 12-volt (.8 KW) electric starter w/Kawaski Engine |
| Ignition | Electronic |
| Governor | Mechanical |
| Fuel Type | Unleaded gasoline with octane rating of 87 or higher |
| Oil Cooling | Oil Cooler |
| Engine Cooling | Air cooled, Fly-wheel fan |
| Engine Type | 4-stroke OHV, V-twin cylinder, gasoline |
| No of Cylinders | 2 |
| Displacement | 52 cu. in. (852cc) |
| Compression Ratio | 8.2:1 |
| Spark Plug No. | BPR4ES (NGK) |
| Oil Capacity with Filter Change | 2.1 US quarts |
| Oil Type | SAE 10W-30 |
| Oil Filter Part No. | 831-034C |
| Fuel Filter Part No. | 831-031C |
| Commercial Remote Air Filter: | |
| Inner Filter Part No. | 839-973C |
| Outer Filter Part No. | 839-974C |

Hydrostatic Transaxle Specifications

| Mower Model No | ZT60i & ZT72i |
|-----------------------------------|--|
| Transaxle Model Nos. | ZT-5400™ |
| Gear Type | Cut Steel Gears |
| Number of Wheel Lugs | 5 |
| Traction Drive Type | Dual Hydrostatic Transmission |
| Hydraulic Motor/Pumps | Two variable displacement, axial piston type. |
| Hydraulic Motor/Pump Drive | V-belt drive from engine crankshaft |
| Hydraulic Oil Filter Part Number | 71943 |
| Hydraulic Oil Type | SAE 20W-50 engine oil |
| Hydraulic Oil Capacity - Per Side | 164.8 -166.5 fl. oz. (1.287 - 1.301 gals.) to fill transaxle |

General Specifications

| Mower Model No | ZT60i | ZT72i |
|---------------------------|---|---|
| Weight | 1130 lbs. w/vinyl seat 1150 lbs. w/deluxe seat | 1150 lbs. w/vinyl seat 1170 lbs. w/deluxe seat |
| Width of Cut | 60" | 72" |
| Cutting Height | 1" to 5" in 1/4" increments | |
| Trim Capacity (left side) | 8 1/4" | 13 1/2" |

Designs, specifications, features and information are subject to change without notice.

Zero Turn Mowers

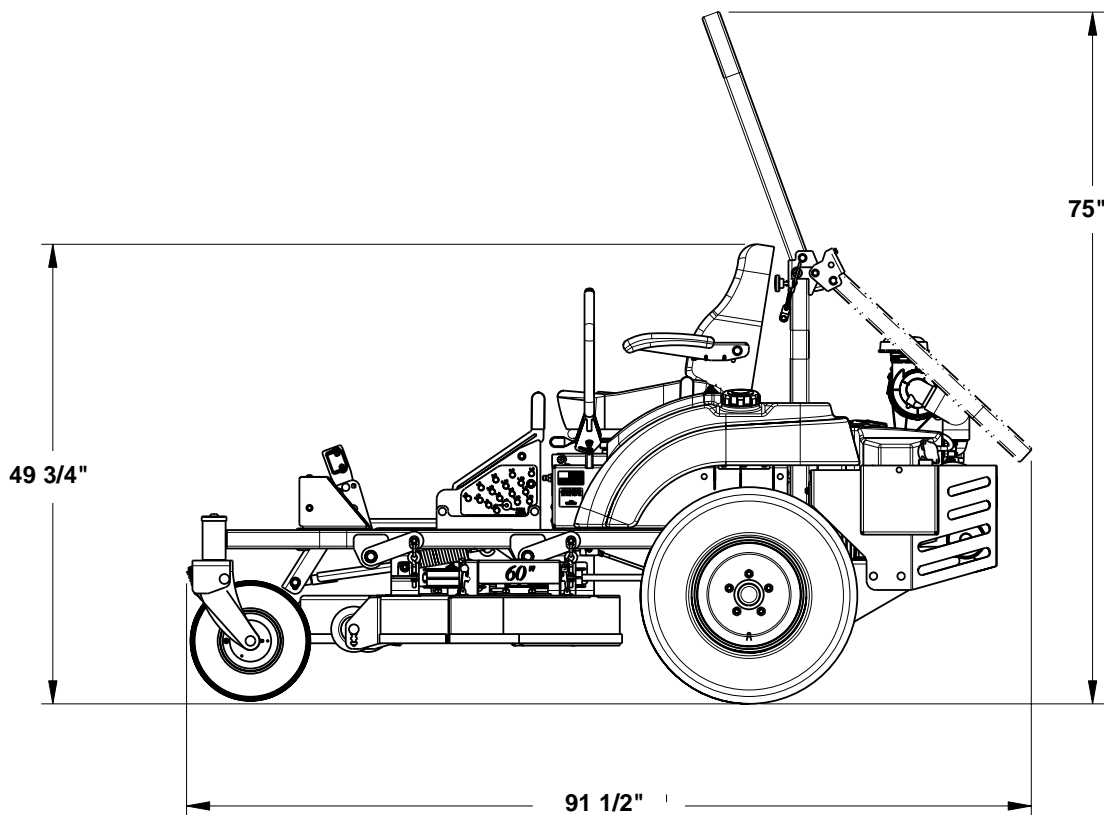
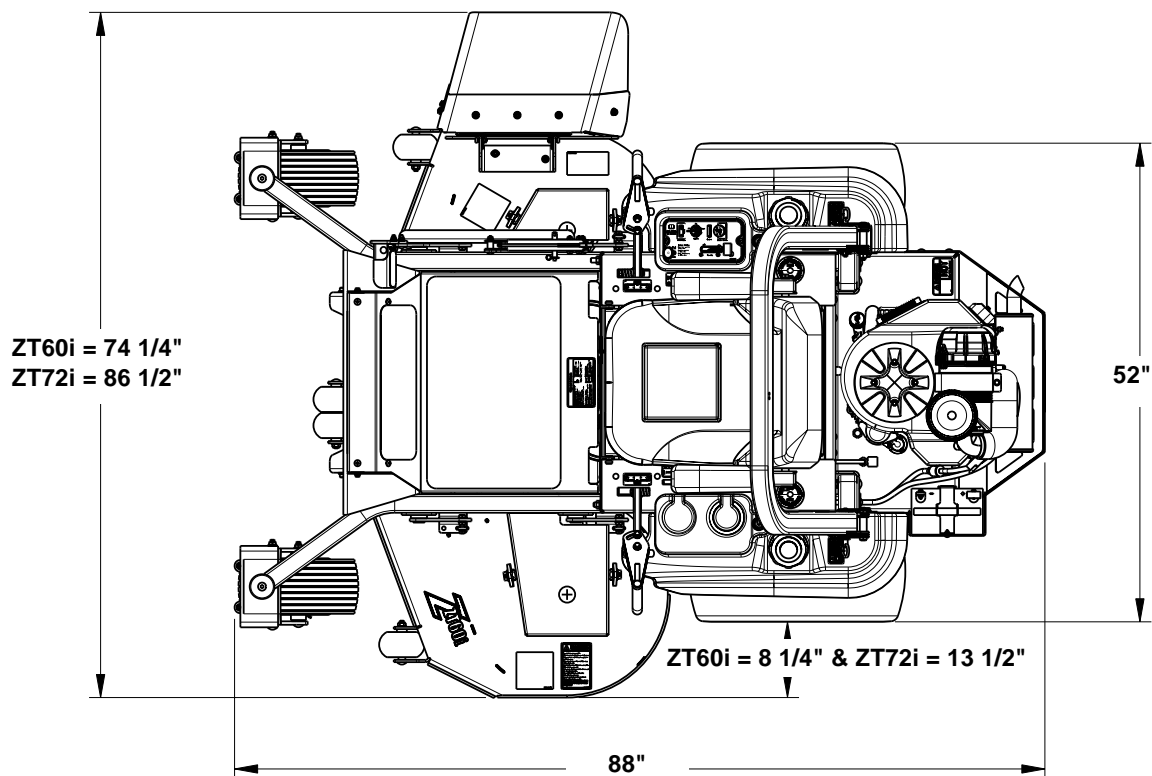
General Specifications

| Mower Model No | ZT60i | ZT72i |
|---|--|--------------------|
| Overall width (Chute down) | 74 1/4" | 86 1/2" |
| Overall Width | 52" | 52" |
| At Rear Tires | 74 1/4" | 86 1/2" |
| AT Deck | | |
| Overall Length | 88" | |
| With ROPS Up | 91 1/2" | |
| With ROPS Down | | |
| Overall Height | 75" | |
| With ROPS Up | 49 3/4" | |
| With ROPS Down | | |
| Roll Over Protective Structure | Certified ROPS, includes seat belt | |
| Drive Tires | 24 x 12.00 - 12, Turf tread | |
| Front Tires | 13x6.5 - 6, Rib tire | |
| Hour Meter | Standard equipment | |
| Fuel Capacities | Twin 6 US GAL. tanks (Total fuel capacity = 12 US GAL.) | |
| Steering Type | Twin lever steering provides independent control of each drive wheel | |
| Twin Lever Steering Controls | Speed, forward, reverse, brake, and turns | |
| Steering Turning Radius | True zero degree. Turns with counter-rotating independent drive wheels | |
| Hydraulic Brake Service | Hydrostatic dynamic braking | |
| Park Brakes | Internal wet disk, manual activated | |
| Ground Speed | Forward: 0-12 MPH Reverse: 0-6 MPH | |
| Wheel Drive | Single V-belt with spring tension idler pulley | |
| Electrical Operated Logic-Control Safety Features | Electric logic-control system governs blade engagement, forward & reverse motion, engine starting & running, and parking brake functions. | |
| Evaporative Emission Control System on EPA Compliant Mowers | This equipment uses a sealed fuel system which incorporates a non-vented fuel cap. Evaporative emissions are vented to the engine where they are combusted during normal engine operation. | |
| Seat Options | Deluxe cushion seat with arm rests Optional Suspension seat with arm rest | |
| Mainframe Construction | Welded steel | |
| Drive Motor Mount | Fabricated from 3/16" steel plate | |
| Front Caster Wheels | Free turning with sealed for life roller bearings | |
| Front Caster Forks | 3/8" steel | |
| Deck Thickness | 3/16" deck with 3/16" reinforcement plate connecting spindle housing mounts | |
| Box-Section Reinforced Front Edge | 3/16" with solid 1" x 1/4" steel bar for reinforcement. | |
| Deck Trim Edges | Solid 1" x 1/4" steel bar for reinforced trim edge. | |
| Deck Housing Depth | 5 3/16" deep, (room for high-capacity mowing) | |
| Deck Lift | Foot-operated deck height adjustment with transport position Pin for setting height | |
| Hand Operated Controls | Ignition switch, throttle lever, control levers, park brake lever, blade engagement switch, choke knob and Fuel Tank Selector Valve | |
| Indicators | Engine warning light and hour meter | |
| Cup Holder | Two cup holders molded into the left side fuel tank They accommodate nearly any cup size | |
| Cutting Heights | Height adjustment in 1/4" increments from 1" to 5" | |
| Mowing Blades | Heavy-duty, heat-treated, high-lift Fusion [®] edge | |
| | .25" x 2 1/2" x 21" | .25 x 2 1/2" x 25" |
| Blade Tip Speed | 18,350 FPM | 18,800 FPM |
| Blade Drive | Electric clutch drive with single V-belt to three spindles and spring tension idler pulley | |

Designs, specifications, features and information are subject to change without notice.

Specifications & Capacities

Zero Turn Mowers



33821

Designs, specifications, features and information are subject to change without notice.