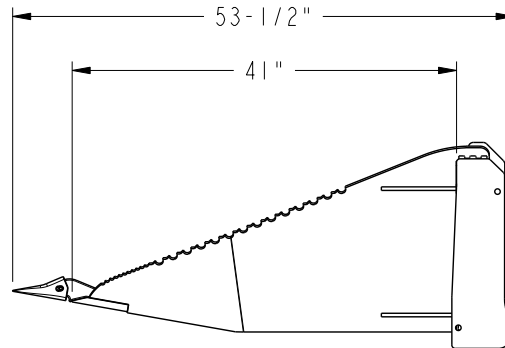
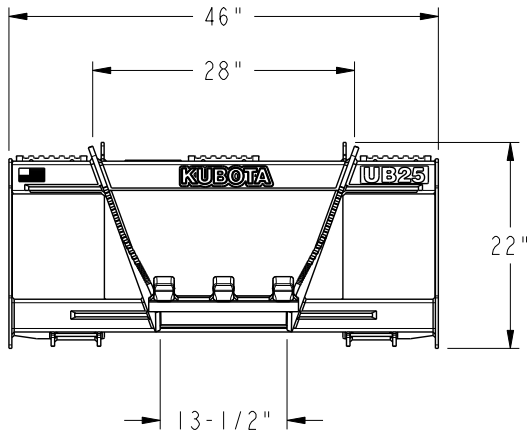


UB25 Stump Bucket

Specifications & Capacities	
Maximum horsepower	100 hp
Weight	420 lbs.
Hitch type	Universal Quick Attach Hitch
Skid resistance step plates	Three, 3" x 7 1/2" weld-on cast steel step plates
Number of replaceable pin-on teeth	3
Pin-on tooth construction	Cast iron tooth attaches to a welded on cast steel base with a tooth locking pin.
Side panel construction	Continuous welded 1/2" high strength low allow steel
Bottom plate construction	Continuous welded 1/2" steel
Reinforcement construction	Continuous welded 3/8" steel gussets
Front cutting edge construction	Continuous welded 3/4" x 6" x 16" high carbon steel
Bucket capacity	4.5 Cubic feet



39788