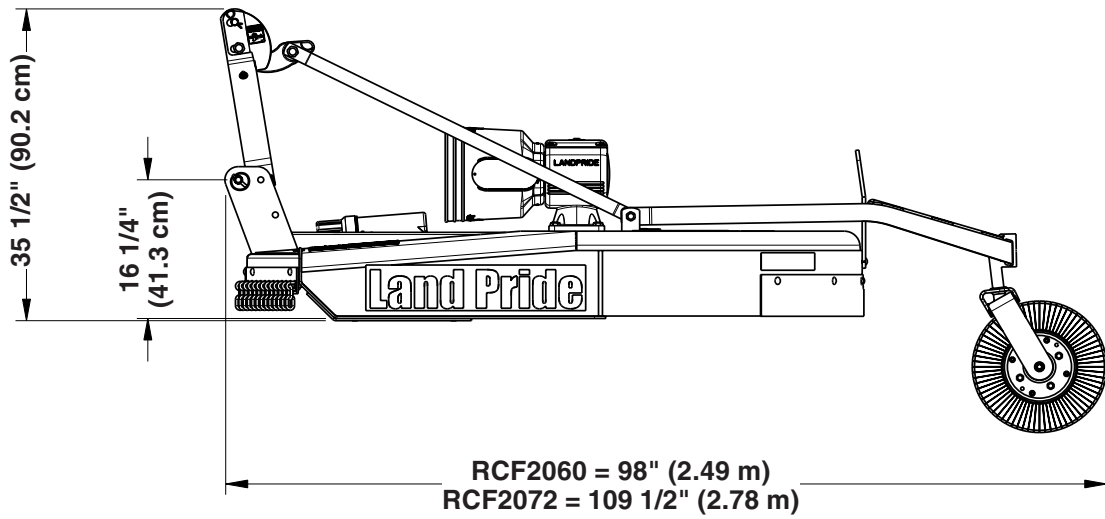
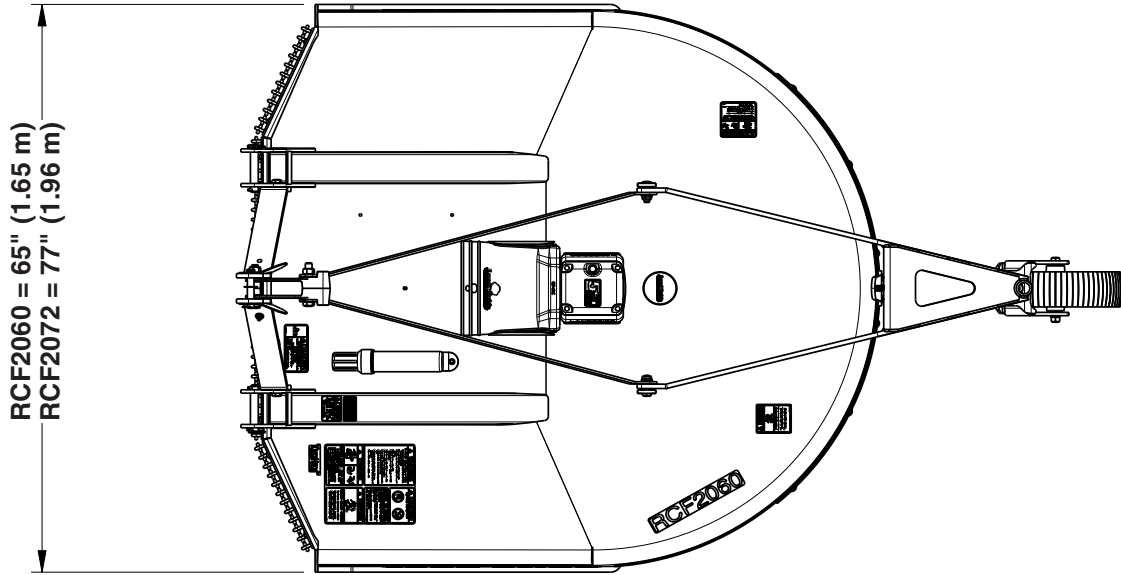


RCF2060 & RCF2072 Models

Specifications & Capacities		
Model Numbers	RCF2060	RCF2072
Machine Weight	620 lbs (281.2 kg)	745 lbs (337.9 kg)
	With laminated tailwheel, slip clutch driveline, Front Rubber Guards and Rear Metal Band.	
Hitch	Category I with floating top linkage, Quick Hitch ready	
Cutting Width	60" (1.52 m)	72" (1.83 m)
Overall Width	65" (1.65 m)	77" (1.96 m)
Overall Length	98" (2.49 m)	109 1/2" (2.78 m)
Deck Height (Bottom of Deck to Bottom of Skid Shoe)	9 11/16" (24.6 cm)	11" (27.9 cm)
Cutting Height	1 1/2" to 12" (3.8 cm to 30.5 cm)	
Cutting Capacity	2" (5.1 cm) Diameter	
Recommended Tractor hp	20-65 hp (14.9-48.5 kw)	
Power Take-Off Speed	540 rpm	
Gearbox Ratio	1:1.93	1:1.47
Gearbox Construction	Speed-up beveled gears, cast iron housing, 1 3/8" (3.5 cm) - 6 spline input shaft and 2" (5.1 cm) output shaft	
Gearbox Lubricant	EP 80-90W oil	
Gearbox oil Capacity	4.5 Pints (2.13 L)	4 Pints (1.89 L)
Deck Construction	All welded deck	
Deck Material Thickness	10 Gauge (.134")(3.4 mm)	
Side Skirt Material Thickness	10 Gauge (.134")(3.4 mm)	
Skid Shoes	Standard	Accessory
	Full length weld-on skid shoes 1/4" x 2 1/2" x 18 7/16" (6 mm x 6.4 cm x 46.8 cm) Long bolt-on replaceable skid shoes (Bolts to weld-on skid shoes)	
Stump Jumper	10 GA. x 24" (3.4 mm x 61.0 cm) Round Pan with 1" (2.5 cm) thick blade holder bar	
Blades (2)	1/2" x 3" x 25" (13 mm x 7.6 cm x 63.5 cm) Heat treated alloy steel free-swinging high lift	1/2" x 3" x 31" (13 mm x 7.6 cm 78.7 cm) Heat treated alloy steel free-swinging high lift
Blade Bolts	Keyed with harden flat washers & locknuts.	
Blade Tip Speed	16,363 FPM (83.1 mps)	14,955 FPM (76.0 mps)
Driveline	ASAE Category 3	
Driveline Protection	Optional	Optional
	Shearbolt protection 2 Plate slip clutch	
Tailwheel Mount	Welded A-arm and caster fork with 360 degree swivel	
Tailwheel	Optional	Optional
	4" x 8" x 15" Laminated tire with cast iron hub 4" x 16" Molded rubber tire	
Front Guard	Optional	Optional
	Rubber Belting Single Chain Guard	
Rear Guard	Standard	Optional
	Optional	Optional
	Metal Band Rubber Belting Single Chain Guard	



30997