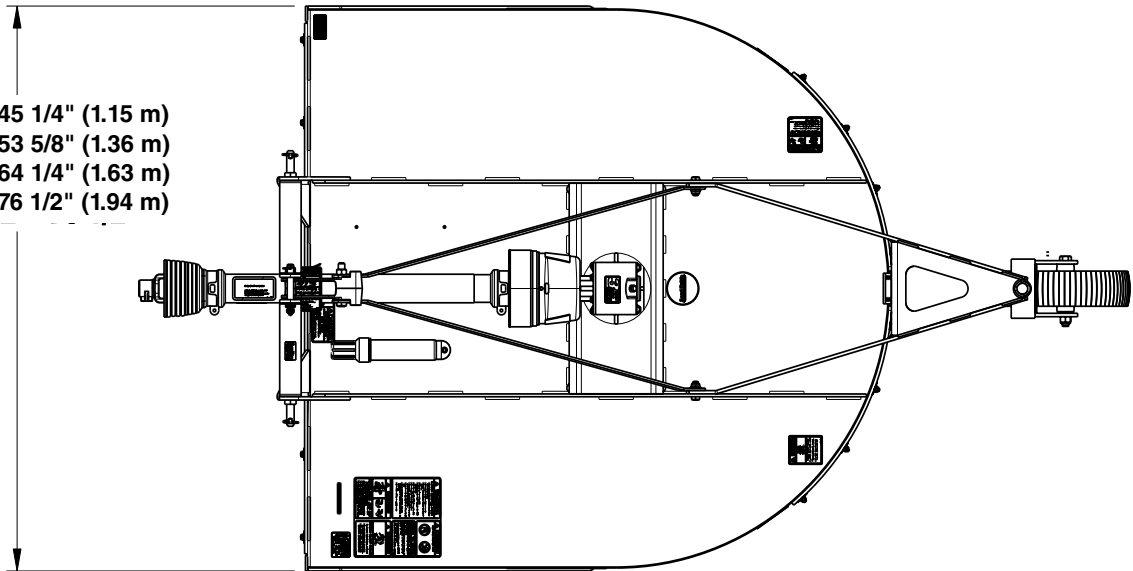


RCR12 Series

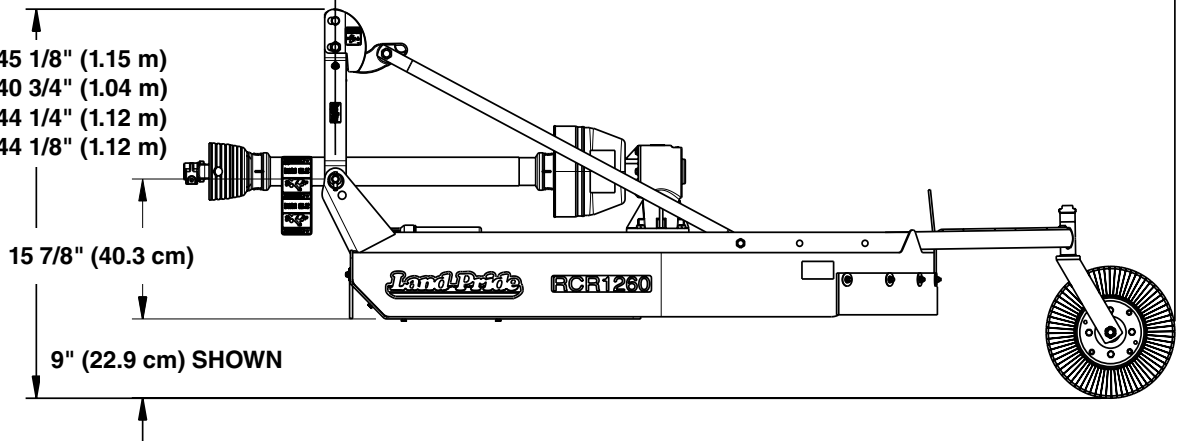
Specifications & Capacities				
Model Numbers	RCR1242	RCR1248	RCR1260	RCR1272
Weight (With front & rear guard, shear bolt driveline & laminated tire)	383 lbs. (173.7 kg)	400 lbs. (181.4 kg)	478 lbs. (216.8 kg)	564 lbs. (255.8 kg)
Hitch	Category I (Quick hitch ready)			
Cutting Width	42" (1.07 m)	48" (1.22 m)	60" (1.52 m)	72" (1.83 m)
Overall Width	45 1/4" (1.15 m)	53 5/8" (1.36 m)	64 1/4" (1.63 m)	76 1/2" (1.94 m)
Overall Length (Including Tailwheel)	83" (2.11 m)	89 1/8" (2.26 m)	97 3/4" (2.48 m)	110" (2.79 m)
Deck Height	7 1/4" (18.4 cm)			
Cutting Height	1 1/4" - 10" (3.2cm. - 25.4 cm)			
Cutting Capacity	Grass, weeds & light brush			
Recommended Tractor Horsepower	18-40 hp (13.4-29.8 kw)	20-60 hp (14.9-44.7 kw)	25 -60 hp (18.6-44.7 kw)	
Power Take-Off Speed	540 rpm			
Gearbox Rating Horsepower	60 hp (44.7 kw)			
Gearbox (Speed up beveled gears)	1:1.93 Speed-up Cast iron housing			1:1.47 Speed-up Cast iron housing
Gearbox Lubrication & Capacity	1.1 Pint (0.52 L) of gear lube 80-90W EP			
Deck Construction	1 Piece reinforced deck			2 Piece reinforced deck
Deck Material Thickness	12 Gauge (2.7 mm)			
Skids	12 Gauge (2.7 mm) (Formed in deck)		1/4" (6.35 mm) (Welded on deck)	
Skid Shoes	Not Available		Bolt-on replaceable skid shoes (Sold separately through parts department only)	
Stump Jumper	Round Pan 10 ga x 24" (61.0 cm)			
Blades (2)	1/2" x 3" (13mm x 76 mm) Heat treated alloy steel Free-swinging blades			
Blade Bolts	Keyed with harden flat washer and locknut			
Blade Tip Speed	11,417 fpm (58.0 mps)	13,256 fpm (67.3 mps)	16,536 fpm (84.0 mps)	15,033 fpm (76.4 mps)
Driveline	SAE Category 3			
Driveline Protection Options	1/2" (13 mm) Center shear bolt protection or center bolt 2 plate slip clutch			
Tailwheel	4" x 8" Laminated tire and yoke			
Safety Guards	Rubber (standard front and rear)			

RCR1245 = 45 1/4" (1.15 m)
 RCR1248 = 53 5/8" (1.36 m)
 RCR1260 = 64 1/4" (1.63 m)
 RCR1272 = 76 1/2" (1.94 m)



RCR1245 = 83" (2.11 m)
 RCR1248 = 89 1/8" (2.26 m)
 RCR1260 = 97 3/4" (2.48 m)
 RCR1272 = 110" (2.79 m)

RCR1242 = 45 1/8" (1.15 m)
 RCR1248 = 40 3/4" (1.04 m)
 RCR1260 = 44 1/4" (1.12 m)
 RCR1272 = 44 1/8" (1.12 m)



30320