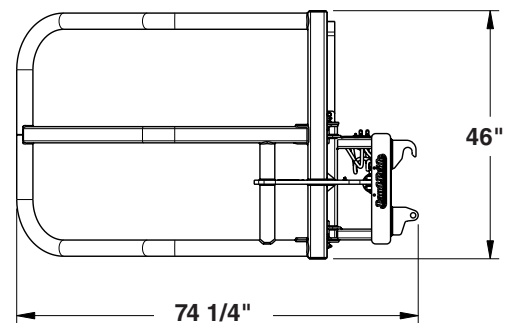
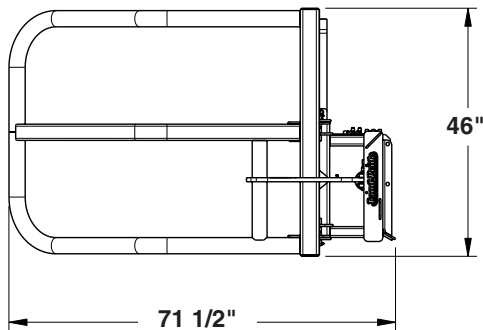
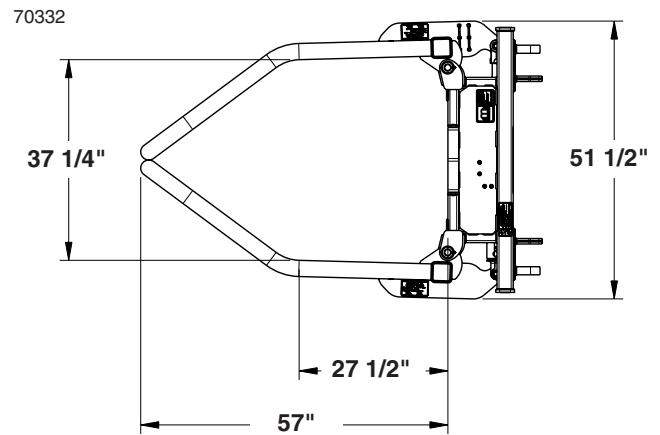
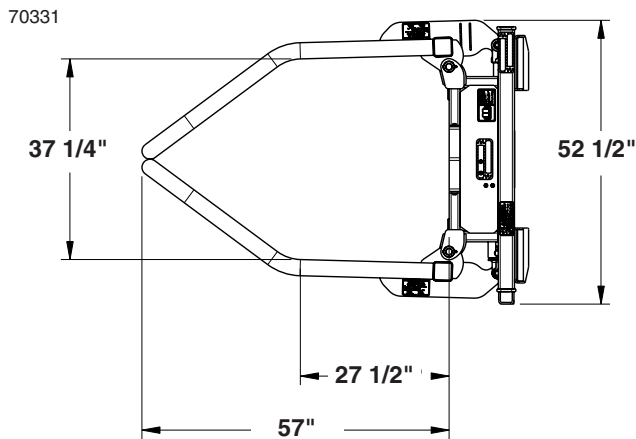


**Bale Grabber**

Specifications & Capacities		
Model Numbers	BG2400	BGE2400
Hitch type	Skid Steer Quick Attach (Meets SAE)	Euro
Closed inside arm width	37 1/4"	37 1/4"
Closed arm length	57"	57"
Maximum tip opening width	92 1/2"	92 1/2"
Bale Capacity maximum diameter maximum weight	Up to 72" 2400 lbs	Up to 72" 2400 lbs
Pivot pins	1 1/4" Greasable	1 1/4" Greasable
Hydraulic cylinder	3" x 16" x 1 1/2" Rod	3" x 16" x 1 1/2" Rod
Hydraulic pressure rating	3500 psi	3500 psi
Weight without options	585 lbs	605 lbs
Weight of Options		
Hydraulic cylinder without valve	40 lbs	40 lbs
Hydraulic cylinder with valve	43 lbs	43 lbs
Skid steer hose kit	31 lbs	Not Available
Tractor hose kit (24' hoses)	40 lbs	40 lbs
Third function hose kit (5' hoses)	10 lbs	10 lbs



**BG2400**

**BGE2400**