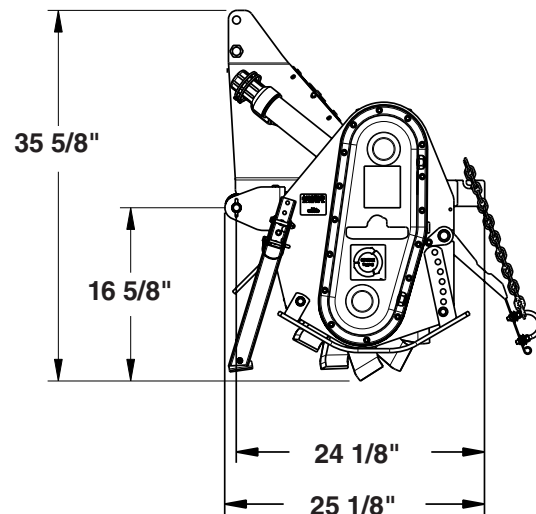
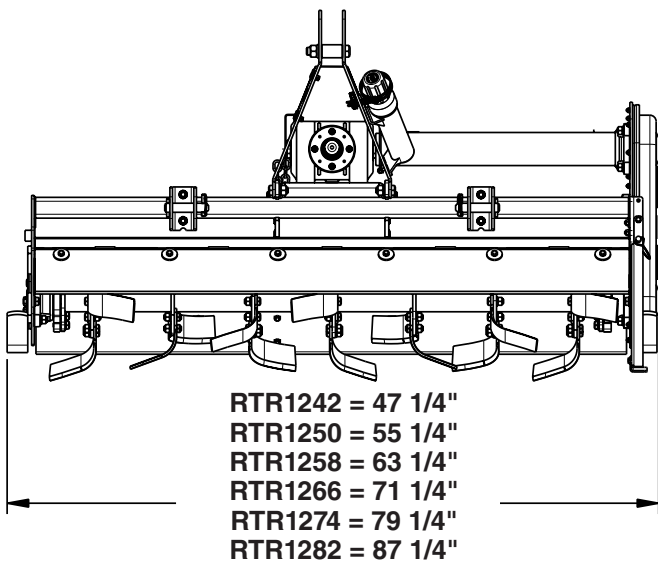


RTR12 Series Rotary Tiller

Specifications & Capacities

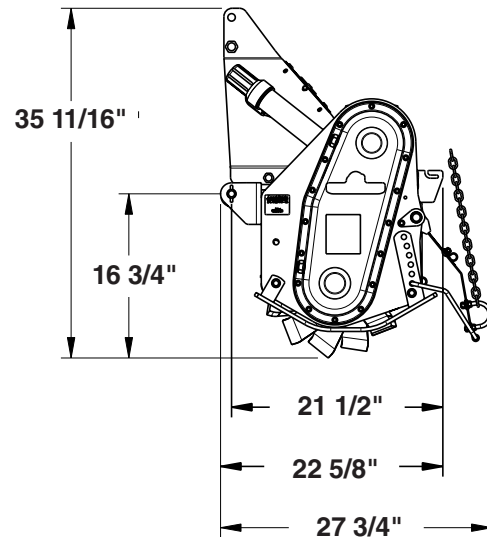
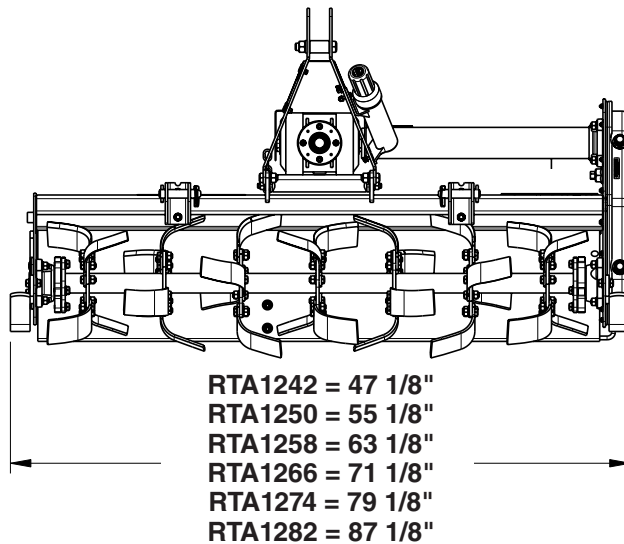
Model Number	RTR1242	RTR1250	RTR1258	RTR1266	RTR1274	RTR1282
Recommended tractor power take-off hp*	15 to 40 hp		20 to 50 hp		25 to 60 hp	30 to 60 hp
Weight	404 lbs.	435 lbs.	463 lbs.	493 lbs.	521 lbs.	581 lbs.
Width, end plate to end plate	42"	50"	58"	66"	74"	82"
Overall width	47 1/4"	55 1/4"	63 1/4"	71 1/4"	79 1/4"	87 1/4"
3-Point hitch type	Category I, Adjustable Lower Hitch Clevis with Plated Pins Fits Land Pride Quick Hitch					
Offset capabilities	Tiller can be offset up to 7", but must be centered if using Quick Hitch					
Sideshift dimensions centered	16" - 26"	25" - 25"	29" - 29"	33" - 33"	37" - 37"	41" - 41"
Shifted right	16" - 26"	18" - 32"	22" - 36"	26" - 40"	30" - 44"	34" - 48"
Shifted left	23" - 19"	32" - 18"	36" - 22"	40" - 26"	44" - 30"	48" - 34"
Number of flanges on rotor	5	6	7	8	9	10
Number of tines per flange	4					
Tine construction	Alloy steel heat treated "C" shaped blades					
Rotor rotation	Reverse Rotation					
Rotor swing diameter	15"					
Rotor Shaft Speed	211 rpm at 540 rpm power take-off					
Rotor bearing mounts	Machined cast iron					
Skid shoes	Adjustable					
Storage stands	Adjustable					
Rear tailgate	Adjustable rear tailgate					
Front deflector	Rubber					
Driveline	Category 4 with Slip Clutch					
Gearbox Construction	50 hp input at 540rpm 1.92:1 ratio, Cast iron housing with ASAE 1 3/8" - 6 spline shaft, tapered roller bearings, bevel gears, drain plug, level plug & fill plug					
Lubrication	SAE 80-90W EP oil					
Capacity	2 pints					
Drive chain	#80 Roller chain - Fully enclosed in oil bath with drain & fill plugs					
Drive chain lubrication	Shell Gadus S2 V2200 00 flowable grease or equivalent Land Pride Part #821-045C (32 oz. bottle)					
Sprockets	Case hardened teeth, splined bores					



30359

RTA12 Series Rotary Tiller

Specifications & Capacities						
Model	RTA1242	RTA1250	RTA1258	RTA1266	RTA1274	RTA1282
Recommended tractor power take-off hp*	15 to 40 hp		20-50 hp		25-60 hp	30 to 60 hp
Weight	391 lbs	421 lbs.	448 lbs.	476 lbs.	503 lbs.	552 lbs.
Width, end plate to end plate	42"	50"	58"	66"	74"	82"
Overall width	47 1/8"	55 1/8"	63 1/8"	71 1/8"	79 1/8"	87 1/8"
3-Point hitch type	Category I, Adjustable Lower Hitch Clevis with Plated Pins Fits Land Pride Quick Hitch					
Sideshift capabilities	Up to 5"	Up to 7"				
	Must be centered if using Quick Hitch					
Sideshift dimensions centered	16" - 26"	25" - 25"	29" - 29"	33" - 33"	37" - 37"	41" - 41"
Shifted right	16" - 26"	18" - 32"	22" - 36"	26" - 40"	30" - 44"	34" - 48"
Shifted left	23" - 19"	32" - 18"	36" - 22"	40" - 26"	44" - 30"	48" - 34"
Number of flanges on rotor	5	6	7	8	9	10
Number of tines per flange	4					
Tine construction	Alloy steel heat treated "C" shaped blades					
Rotor rotation	Forward Rotation					
Rotor swing diameter	15"					
Rotor Shaft Speed	211 rpm at 540 rpm power take-off					
Rotor bearing mounts	Machined cast iron					
Skid shoes	Adjustable					
Storage stands	Adjustable					
Rear tailgate	Adjustable rear tailgate					
Front deflector	None (Not required with RTA forward rotation)					
Driveline	Category 4 with Slip Clutch					
Gearbox Construction	50 hp input at 540rpm 1.92:1 ratio, Cast iron housing with ASAE 1 3/8" - 6 spline shaft, tapered roller bearings, bevel gears, drain plug, level plug & fill plug					
Lubrication	SAE 80-90W EP oil					
Capacity	2 pints					
Drive chain	#80 Roller chain - Fully enclosed in oil bath with drain & fill plugs					
Drive chain lubrication	Shell Gadus S2 V2200 00 flowable grease or equivalent Land Pride Part #821-045C (32 oz. bottle)					
Sprockets	Case hardened teeth, splined bores					



30365