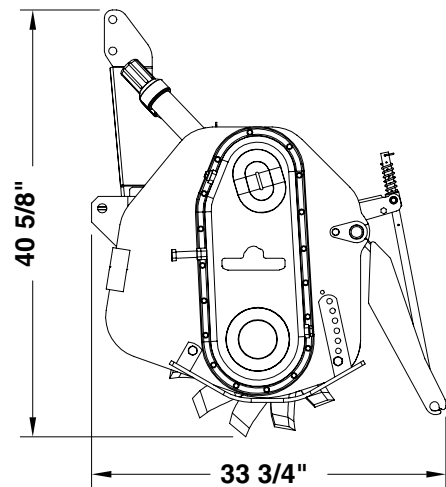
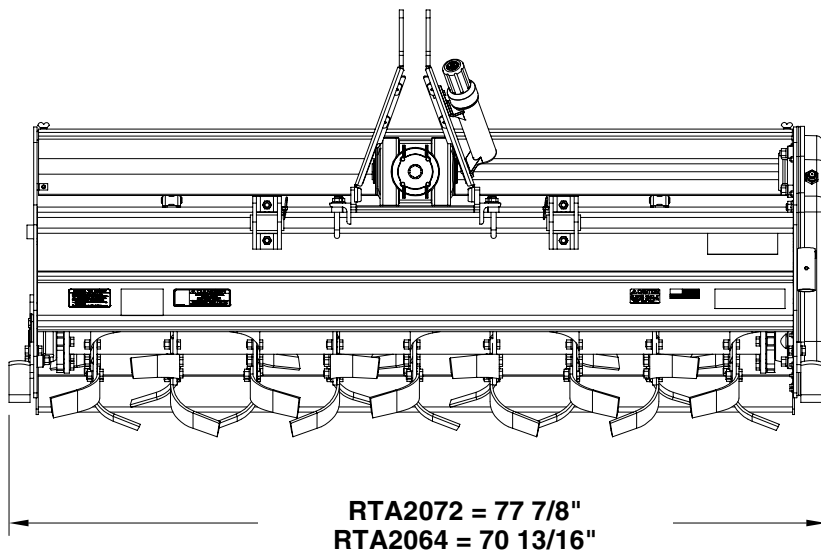


RTA20 Series

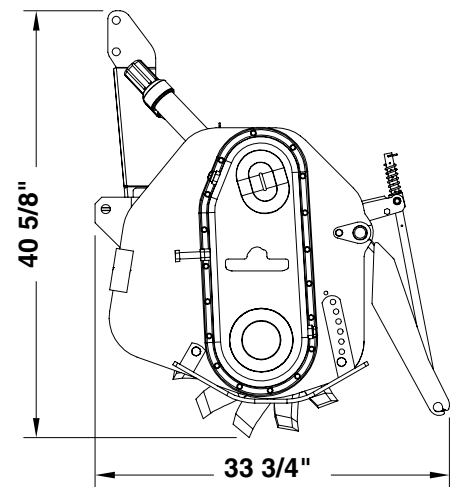
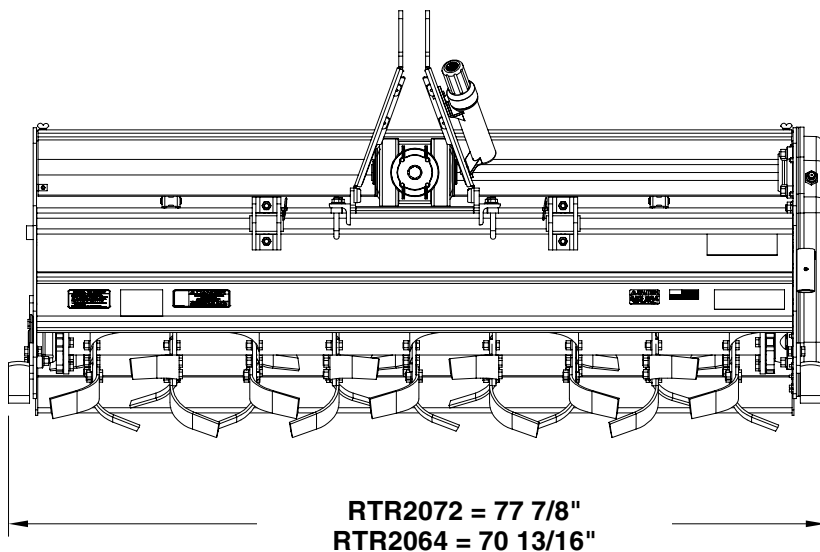
	Specifications & Capacities	
Model Numbers	RTA2064	RTA2072
Recommended Tractor PTO HP	23-50 Horsepower (50 HP maximum)	
Weight	689 lbs.	734 lbs.
Tilling Width	64"	72"
Overall Width	70 13/16"	77 7/8"
3-Point Hitch Type	Category I, Adjustable Lower Hitch Clevis with Plated Pins Fits Land Pride Quick Hitch	
Sideshift Capabilities	14"	18"
	Note: Limited sideshift capabilities with Land Pride Quick Hitch	
Number of Flanges	8	9
Number of Tines per Flange	6	
Tine Construction	Alloy steel heat treated "C" shaped blades	
Skid Shoes	Adjustable	
Storage Stands	Adjustable	
Rear Deflector	Adjustable profile stamped rear deflector	
Driveline	ASAE Category III Heavy Duty Off-Center Shear bolt - standard Slip Clutch - optional	
Gearbox	50 HP Input at 540 RPM 1.46:1 Ratio Cast Iron Housing, Straight Bevel Gears	
Gearbox Lubrication Capacity & Type	2.2 Pints of SAE80-90W EP oil	
Drive Chain	#80 Roller chain - Fully enclosed in oil bath with drain & fill plugs	
Drive Chain Lubricant	Shell Gadus S2 V2200 00 flowable grease or equivalent Land Pride Part #821-045C (32 oz. bottle)	
Sprockets	Splined Bores	
Rotor Swing Diameter	17"	
Rotor Shaft Speed	220 rpm at 540 rpm PTO	



26799

RTR20 Series

	Specifications & Capacities	
Model Numbers	RTR2064	RTR2072
Recommended Tractor PTO HP	23-50 Horsepower (50 HP maximum)	
Weight	748 lbs.	795 lbs.
Tilling Width	64"	72"
Overall Width	70 13/16"	77 7/8"
3-Point Hitch Type	Category I, Adjustable Lower Hitch Clevis with Plated Pins Fits Land Pride Quick Hitch	
Sideshift Capabilities	14"	18"
	Note: Limited sideshift capabilities with Land Pride Quick Hitch	
Number of Flanges	8	9
Number of Tines per Flange	6	
Tine Construction	Alloy steel heat treated "C" shaped blades	
Skid Shoes	Adjustable	
Storage Stands	Adjustable	
Rear Deflector	Adjustable profile stamped rear deflector	
Driveline	ASAE Category III Heavy Duty Off-Center Shear bolt - standard Slip Clutch - optional	
Gearbox	50 HP Input at 540 RPM 1.46:1 Ratio Cast Iron Housing, Straight Bevel Gears	
Gearbox Lubrication Capacity & Type	2.2 Pints of SAE80-90W EP oil	
Drive Chain	#80 Roller chain - Fully enclosed in oil bath with drain & fill plugs	
Drive chain lubricant	Shell Gadus S2 V2200 00 flowable grease or equivalent Land Pride Part #821-045C (32 oz. bottle)	
Sprockets	Splined Bores	
Rotor Swing Diameter	17"	
Rotor Shaft Speed	220 rpm at 540 rpm PTO	



26799