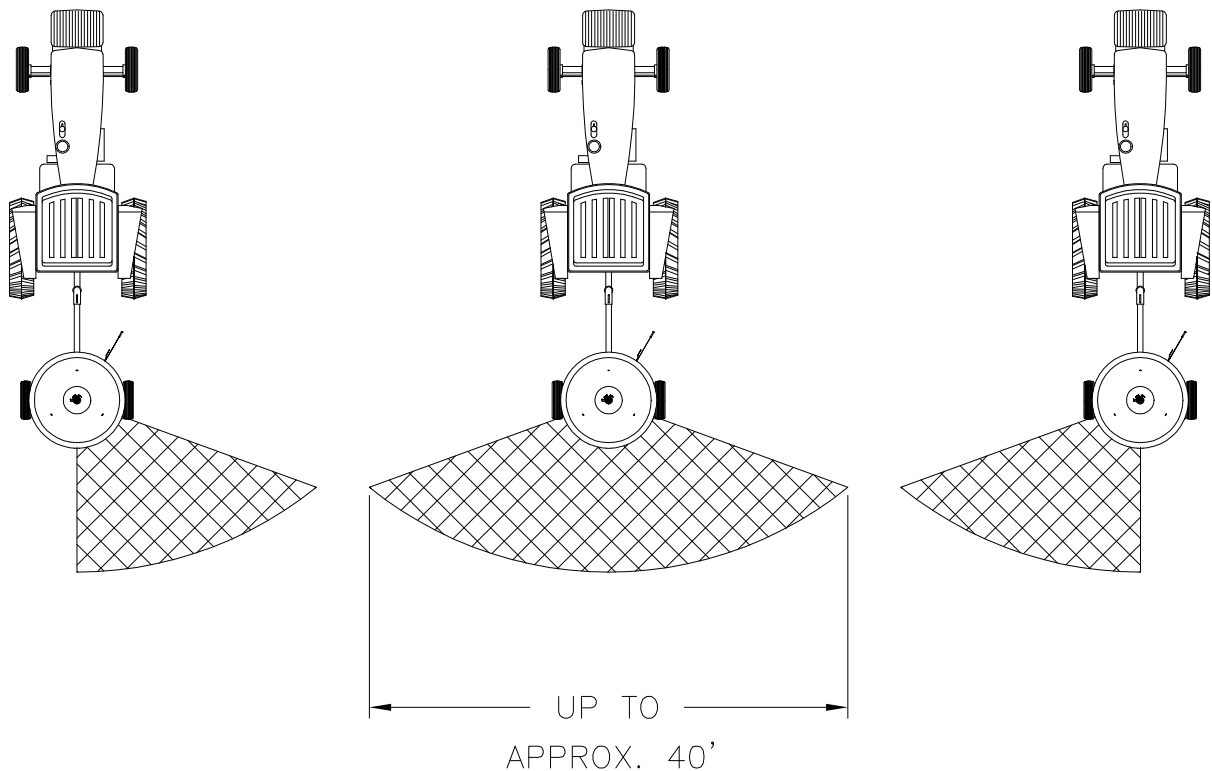


PTS500 & PTS700 Broadcast Spreaders

| Description | Specifications & Capacities | |
|--|---|-------------------------|
| | PTS500 | PTS700 |
| Model Numbers | | |
| Min. Tractor Horsepower | 15 horsepower | 18 horsepower |
| Capacity (Maximum Cu.ft. & pounds) | 5.83 cu. ft. (350 lbs.) | 9.18 cu. ft. (563 lbs.) |
| Overall Length | 59" | 59" |
| Overall Width | 41" | 41" |
| Loading Height | 51" | 57" |
| Hopper Width | 35" | 41" |
| Weight | 165 lbs. | 176 lbs. |
| Hopper Material | Plastic | |
| Frame Construction and Finish | Steel welded frame with baked on epoxy finish | |
| Spreader Disc & Distributor Vane Material | All stainless steel | |
| Number of Vanes and Adjustable positions | Four adjustable vanes in four different positions | |
| Hitch Type | 2" Ball | |
| Net Spreadable Width | 26" -40' | |
| Ground Covered per Hour | 7 to 15 acres/hr. | |



30677