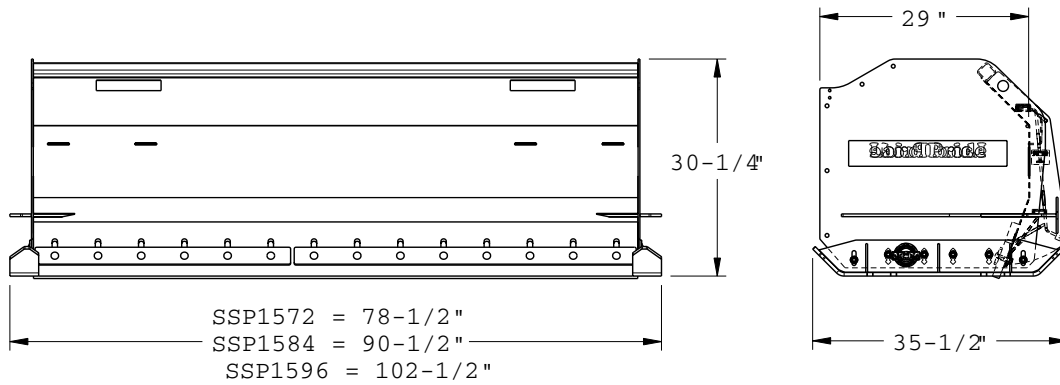


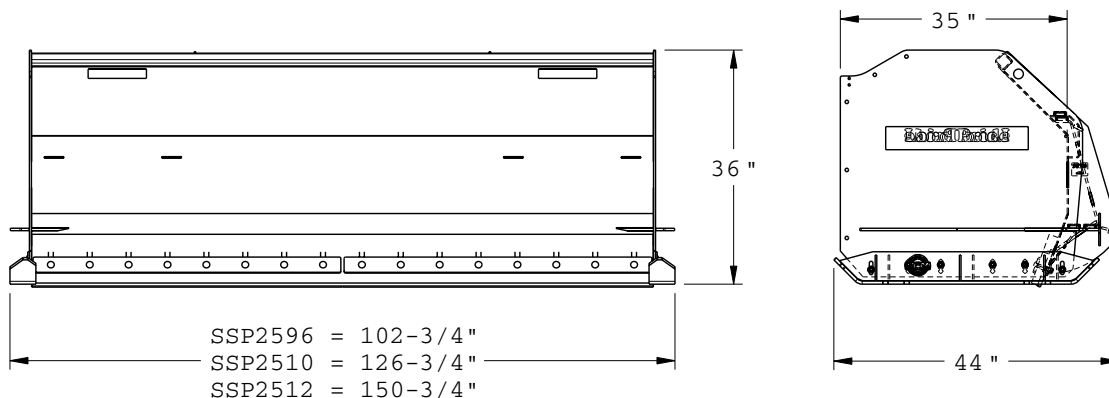
SSP 15 & SSP25 Series

List	Specifications & Capacities					
Model Numbers	SSP1572	SSP1584	SSP1596	SSP2596	SSP2510	SSP2512
Working width	72"	84"	96"	96"	10' - 0"	12' - 0"
Capacity (Approximate)	33.5 ft ³	39 ft ³	44.5 ft ³	64 ft ³	80 ft ³	96 ft ³
Weight with rubber Blade	521 lbs.	562 lbs.	603 lbs.	844 lbs.	954 lbs.	1064 lbs.
Horsepower range	30-60 HP			50-80 HP		
Lift capacity of carrier	2,000 lbs. Maximum			5,000 lbs. Maximum		
Operating weight of carrier	5,000 lbs. Maximum			8,000 lbs. Maximum		
Hitch type	Universal Quick Attach Hitch			Universal Quick Attach Hitch		
Non-slip steps	Serrated steps mounted on hitch			Serrated steps mounted on hitch		
Skid Shoes	AR400 1/2" x 4" Reversible & replaceable			AR400 1/2" x 4" Reversible & replaceable		
Moldboard thickness	10 Ga.			3/16"		
Side panel thickness	1/4"			5/16"		
Snow blades (Optional)	1" x 8" Rubber with adjusting slots Reversible and replaceable blade			1 1/2" x 8" Rubber with adjusting slots Reversible and replaceable blade		
Steel blades (Optional)	1/2" x 6" Reversible and replaceable blades			1/2" x 6" Reversible and replaceable blades		
Pull Back (Optional)	1" x 8" Rubber blade with adjusting slots Blade is reversible and replaceable			1 1/2" x 8" Rubber blade with adjusting slots. Blade is reversible & replaceable		Not Available
Orange marker (Accessory)	28" Tall, bolts to the side panels			28" Tall, bolts to the side panels		



SSP15 Series Snow Pushers

37041



SSP25 Series Snow Pushers

37061