

ROPS / Seat Belt Package Assembly Instructions



Gondo 4400EX Series

Manual No. 720-190M

Before You Start



When you see this symbol, the subsequent instructions and warnings are serious - follow without exception. Your life and the lives of others depend on it!

These assembly instructions contain only information required to assemble the optional ROPS / Seat Belt Package to the Gondo. A detailed Operator's Manual was supplied with the Gondo. Refer to the Operator's Manual for additional specific information especially information relating to safety concerns. Also included in the Operator's Manual is important information on operation, adjustment, troubleshooting, and maintenance for this attachment (some manual sections do not apply to all options).

A separate Parts Manual for replacement parts can be purchased from your dealer or available free of charge at www.landpride.com. Have model and serial numbers handy when placing an order.

Manual Part Numbers:

- Operator's Manual 720-132M
- Parts Manual 720-051P

General Information

These assembly instructions apply to the following Seat Belt Installation Kit options listed below:

720-086A ROPS / SEAT BELT PACKAGE

Tools required:

- 3/4" open end or box end wrench
- 3/4" socket wrench

Assembly Instructions

A detailed listing of parts for Kit No. 720-086A is provided on page 5. Use this list as a checklist to inventory parts received.

Initial Preparations



CAUTION!

Securely support cargo box in the up position to prevent injury when working under the cargo box.



WARNING!

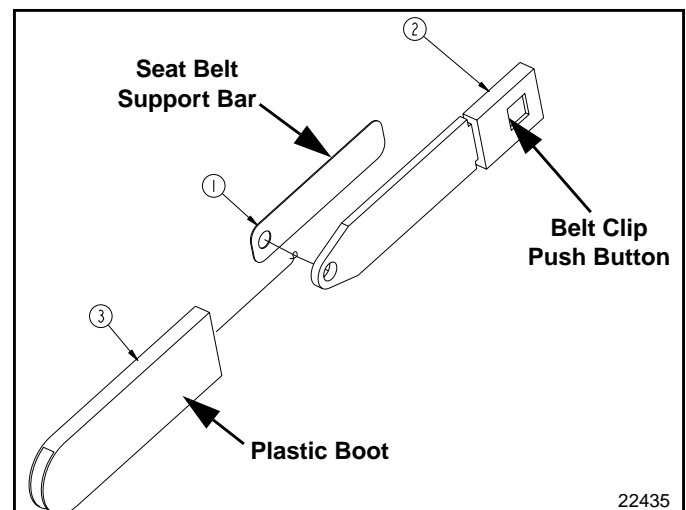
Do not install seat belt package if you 4400EX Series Gondo is not equipped with a ROPS and a fully functioning factory supplied hood latch-down assembly. Both of these items are essential components of our fully engineered and certified safety restraint system for this vehicle.

1. Park vehicle on a flat surface, move gear shift lever to 1st, set park brake, turn off engine and remove ignition key.
2. Raise engine hood up and securely support with support rod in the up position to prevent injury.

Seat Belt Support Installation

Refer to Figure 1:

1. See Warning above before proceeding.
2. Insert 1/32" x 1 1/4" x 5 1/2" seat belt support bar (#1) and seat belt (#2) into the plastic boot (#3) as shown. Make certain the seat belt support bar (#1) is positioned on the side opposite to the belt clip push button.
3. Repeat step 2 for the second seat belt.



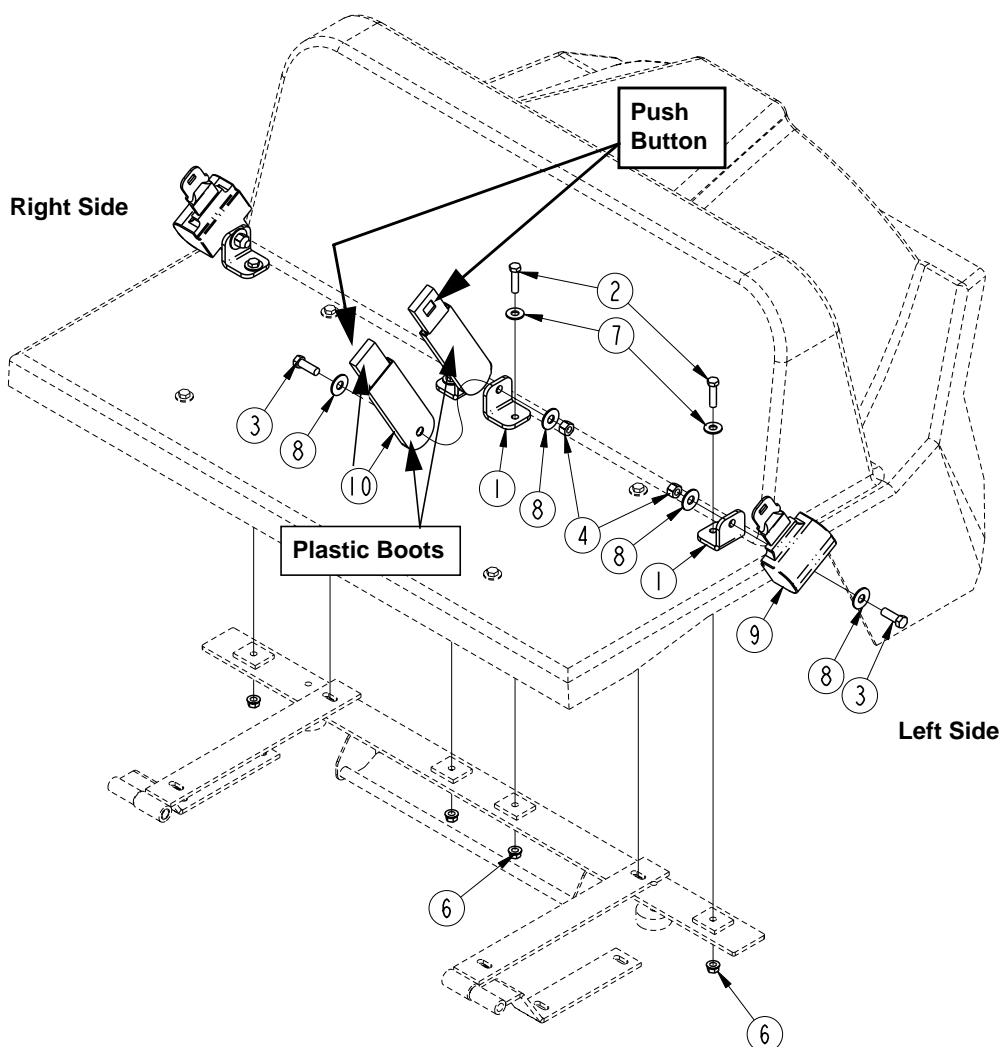
Seat Belt Support Bar Installation
Figure 1

Assembly Instructions

Seat Belt Installation to Engine Hood

Refer to Figure 2:

1. There are six bolts along the back of the engine hood. Remove and discard the four that are located where the seat belts will be installed. **Use only new bolts, nuts and washers when installing the seat belts.**
2. Position the left seat belt clip assembly (#10) with the push button facing towards the center of the vehicle.
3. One side of the plastic boot has a hole and the other side does not. Raise the side of the plastic boot that does not have a hole to expose the seat belt components under the boot. Insert 7/16"-20 x 1 1/4" Gr8 hex head bolt (#3) through the 7/16" flat washer (#8), seat belt clip assembly (#10), seat belt mount (#1) and 7/16" flat washer (#8). Secure with 7/16" stake hex nut (#4). Do not tighten.
4. Attach seat belt mount (#1) to the engine hood with new 3/8"-16 x 1 1/2" Gr5 hex bolt (#2), 3/8" flat washer (#7) and 3/8" flanged locknut (#6) as shown. Tighten nut to 31 ft. lbs.
5. Align seat belt clip assembly (#10) as shown and tighten stake hex nut (#4) to 78 ft. lbs. of torque.
6. Repeat steps 1 through 5 for the right seat belt clip assembly.
7. Attach seat belt mount (#1) to the engine hood with new 3/8"-16 x 1 1/2" gr. 5 hex bolt (#2), 3/8" flat washer (#7) and 3/8" flanged locknut (#6). Tighten nut to 31 ft. lbs.
8. Attach retractable seat belt assembly (#9) to seat belt mount (#1) by inserting a 7/16"-20 x 1 1/4" Gr8 hex head bolt (#3) through the 7/16" flat washer (#8), retractable seat belt assembly (#9), seat belt mount (#1) and the 7/16" flat washer (#8) as shown. Secure retractable seat belt with 7/16" stake hex nut (#4).
9. Align retractable seat belt assembly as shown and tighten nut (#4) to 78 ft. lbs. of torque.
10. Repeat steps 7 through 9 to install the retractable seat belt assembly on the right side.



23548

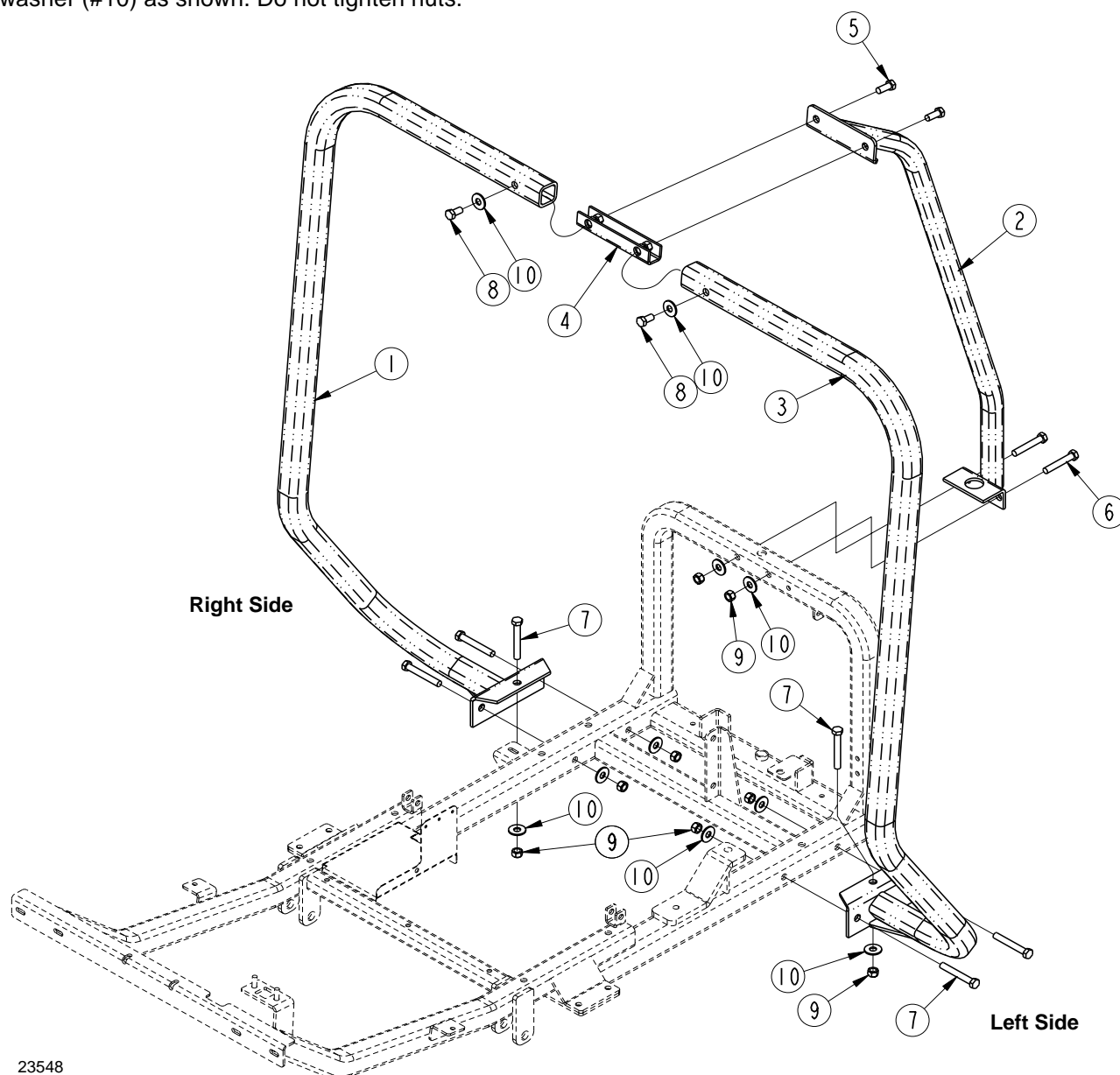
Seat Belt Installation To Engine Hood
Figure 2

Assembly Instructions

ROPS Installation to Main Frame

Refer to Figure 3:

1. Install left main hoop (#3) to the left side of the Gondo frame with three 1/2"-13 x 3 1/2" gr. 5 hex head bolts (#7), 1/2" flat washers (#10) and 1/2" nylock hex nuts (#9). Do not tighten nuts.
2. Insert support channel (#4) into main hoop (#3) as shown. Secure with one 1/2"-13 x 1" gr. 5 hex head bolt (#8) and 1/2" flat washer (#10) as shown. Do not tighten nut.
3. Install right main hoop (#1) to the right side of the Gondo frame and over support channel (#4) with three 1/2"-13 x 3 1/2" gr. 5 hex head bolts (#7), 1/2" flat washers (#10) and 1/2" nylock hex nuts (#9); and one 1/2"-13 x 1" gr. 5 hex bolt (#8) and 1/2" flat washer (#10) as shown. Do not tighten nuts.
4. Install rear support (#2) to the back side of the Gondo frame and main hoops (#1 & #3) with two 1/2"-13 x 3" gr. 5 hex head bolts (#6), 1/2" flat washers (#10) and 1/2" nylock hex nuts (#9); and two 1/2"-13 x 1 1/4" gr. 5 hex bolt (#5) as shown. Do not tighten nuts.
5. Tighten all 1/2" nuts and bolts (#5, #6, #7 & #9) to 76 ft. lbs. of torque.



23548

ROPS Installation To Main Frame
Figure 3

Assembly Instructions

Notes:

Listing of Parts**Kit No. 700-083A****ROPS/SEATBELT PACKAGE**

Qty.	Part No.	Part Description
1	720-041H	ROPS MAIN HOOP LEFT WELDMENT
1	720-053H	ROPS REAR SUPPORT WELDMENT
1	720-129H	ROPS MAIN HOOP RIGHT WELDMENT
1	720-130H	ROPS SUPPORT CHANNEL WELDMENT
1	720-190M	MANUAL ROPS
4	720-243D	SEAT BELT MOUNT OUTSIDE
2	720-244D	SEAT BELT SUPPORT
4	802-022C	HHCS 3/8-16X1 1/2 GR5
2	802-034C	HHCS 1/2-13X1 1/4 GR5
2	802-039C	HHCS 1/2-13X3 GR5
6	802-041C	HHCS 1/2-13X3 1/2 GR5
4	802-227C	HHCS 7/16-20X1 1/4 GR8
2	802-258C	HHCS 1/2-13X1 GR5
4	803-108C	NUT HEX 7/16-20 TOP STK GRBPLT
8	803-147C	NUT HEX NYLOCK 1/2-13
4	803-209C	NUT FLANGE LOCK 3/8-16 PLT
4	804-011C	WASHER FLAT 3/8 USS PLT
10	804-113C	WASHER FLAT 1/2 USS HARD PLT
8	804-130C	WASHER FLAT 7/16 USS GR8

(Includes Seat Belt Clip and Retractable Seat Belt)



Corporate Office: P.O. Box 5060
Salina, Kansas 67402-5060 USA
www.landpride.com
