

High Rate Spring Kit Assembly Instructions



For All Treker Series

Manual No. 701-194M

Before You Start



When you see this symbol, the subsequent instructions and warnings are serious - follow without exception. Your life and the lives of others depend on it!

IMPORTANT: Before you begin, read these instructions and check to be sure all parts and tools are accounted for. Please retain these installation instructions for future reference and parts ordering information.

Your High Rate Coil Springs are exclusively designed for your Land Pride Treker. Please read these installation instructions and your Treker Operator's Manual thoroughly before beginning. Especially read information relating to safety concerns.

A separate Parts Manual for replacement parts can be purchased from your dealer or available free of charge at www.landpride.com. Have model and serial numbers handy when placing an order.

Manual Part Numbers:

4200NT/ST & 4400NT/ST Trekers

- Operator's Manual 700-108M
- Parts Manual 700-108P

4210ST & 4410ST Trekers

- Operator's Manual 700-108M
- Parts Manual 700-109P

4220ST & 4420ST Trekers

- Operator's Manual 700-504M
- Parts Manual 700-504P

General Information

These assembly instructions apply to the following High Rate Spring Kit listed below:

701-193A SPRINGS, ST TREKER HIGH RATE

It includes 2 Coil Springs Part Number 840-330C and this manual. Please contact your local Land Pride dealer if any components are missing.

Tools required:

- Safety glasses, Work gloves & Tape Measure
- Spring compressing equipment
- 9/16" & 14mm wrench
- Pliers or small vise grips

Assembly Instructions

Refer to your Operator's Manual Maintenance Section for instructions on Securing Vehicle for Maintenance, Tire Maintenance and Jacking the Vehicle.

Initial Preparations

1. Park vehicle on a flat surface, move gear shift lever to neutral or park, set park brake if available, turn off engine and remove ignition key.
2. Chock front and back side of rear wheels.
3. Loosen wheel lug nuts one-quarter turn on the right front wheel.
4. Refer to your Operator's Manual for detailed instructions on jacking your vehicle. Place jack under the vehicle's body frame close to where the right front A-Arm attaches to the frame and then jack the front wheel off the ground.
5. For safety, support the wheel off the ground by placing a jack stand under the body frame and then lowering the vehicle onto the jack stand.
6. Remove right front wheel from the vehicle.

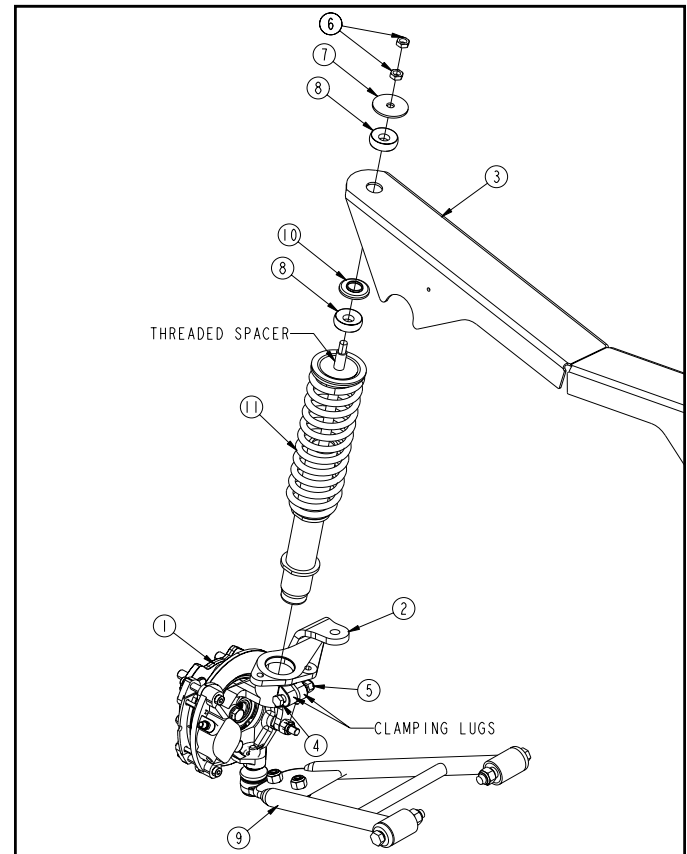


Figure 1

Shock & Spring Assembly Removal

Refer to Figure 1:

1. Loosen 3/8" hex nut (#5) 3 full turns. The clamping lugs may need to be spread apart to free the shock & spring assembly.
2. Remove bottom of shock & spring assembly (#11) from brake assembly (#1) & steering bracket (#2) by pulling down on the brake assembly and A-arm (#9).

3. Remove M10 jam nuts (#6), flat washer (#7) and upper rubber grommet (#8). Keep for reuse.
4. Remove shock & spring assembly from Treker main frame (#3).
5. Remove mounting washer (#10) and lower rubber grommet (#8). Keep for reuse.

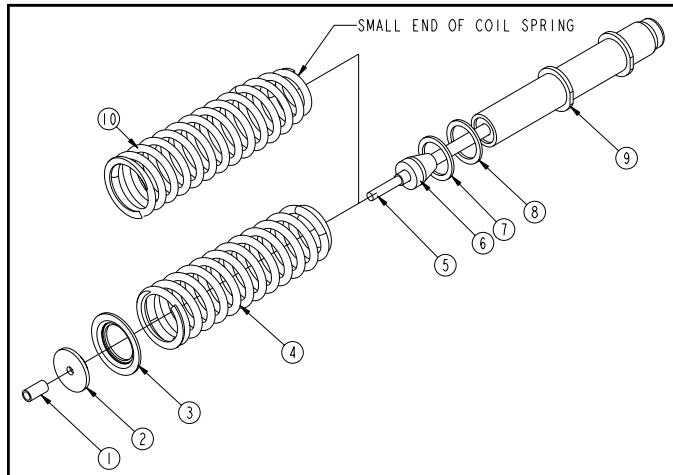


Figure 2

Coil Spring Replacement

WARNING

Coil Springs on a shock are compressed and contain high energy. The coil spring must be removed from the shock correctly by a person who has knowledge and experience in how to do this safely. The spring, if not handled properly can suddenly release its energy causing bodily harm to the worker and anyone nearby.

Refer to Figure 2:

IMPORTANT: Coil spring must be compressed by a person who has proper knowledge on how to safely remove the spring from the shock.

1. Compress coil spring (#4) 1/2" to 3/4" with a mechanical device that will safely hold the spring in its compressed state.
2. Unscrew threaded spacer (#1). Make note that the threads on the spacer are not full length and that the end without threads goes on the rod first.
3. Remove spring cap (#2) and spring keeper (#3).
4. Slowly release compression from coil spring (#4), and remove coil spring.
5. Make sure bump stop (#6), plastic washer (#7) and steel washer (#8) stay on the shock (#9).
6. Insert small end of high rate coil spring (#10) onto the shock against plastic washer (#7).
7. Compress spring overall length to be between 7 1/4" and 7 1/2" length with a mechanical device that will safely hold the spring at this length. When compressed, the spring will contain 315 to 345 lbs. of compressed force.

8. Install spring keeper (#3) and spring cap (#2) over end of spring.
9. Insert non threaded end of threaded spacer (#1) over rod end (#5) and then screw it on completely until the spring cap (#2) has bottomed out against the rod stepped surface.
10. Release coil spring and check spring length. If spring length is not 7 7/8", then the threaded spacer (#1), spring cap (#2) and spring keeper (#3) were not properly installed and should be reinstalled.

Shock & Spring Assembly Installation

Refer to Figure 1 on page 1:

1. Install lower end of shock & spring assembly (#11) into steering bracket (#2) and brake assembly (#1).
2. Make sure the shock is fully in with the raised boss against steering bracket face. Tighten 3/8"-16 hex head cap screw & nut (#4 & #5) to 31 ft-lbs.
3. Insert lower rubber grommet (#8) and mounting washer (#10) onto the shock & spring assembly rod.
4. Insert rod through hole in Treker main frame (#3).
5. Insert upper rubber grommet (#8) and flat washer (#7) onto the shock & spring assembly rod.
6. Screw M10 hex jam nut (#6) onto the rod end until flat washer (#7) is tight against the threaded spacer. It may be necessary to hold top of shock & spring assembly rod to tighten the jam nut.
7. Screw the second M10 hex jam nut (#6) on until it is tight against the first jam nut.
8. Hold the first nut in place and torque the second nut to 24 ft-lbs.
9. Reinstall wheel and lower Treker to ground level.
10. Repeat assembly instructions for the left side and then remove wheel chocks before driving the vehicle.

Further Assistance

Your dealer wants you to be satisfied with your new High Rate Coil Springs. If for any reason you do not understand any part of this manual or are not satisfied with the service received, the following actions are suggested:

1. Discuss the matter with your dealership service manager. Make sure he is aware of your problems and has had the opportunity to assist you.
2. If you are still not satisfied, seek out the owner or general manager of the dealership, explain the problem and request assistance.
3. For further assistance write to:

Land Pride Service Department
1525 East North Street
 P.O. Box 5060
 Salina, Ks. 67402-5060

E-mail address
 lpservicedept@landpride.com