

ABS Canopy Top Assembly Instructions



Trekers, 4220ST and 4420ST

Manual No. 701-175M

Before You Start



When you see this symbol, the subsequent instructions and warnings are serious - follow without exception. Your life and the lives of others depend on it!

IMPORTANT: Before you begin, read these instructions and check to be sure all parts and tools are accounted for. Please retain these installation instructions for future reference and parts ordering information.

Your ABS Canopy Top is exclusively designed for your Land Pride Treker. Please read these installation instructions and your Treker Operator's Manual thoroughly before beginning. Especially read information relating to safety concerns. Also included in the Operator's Manual is important information on operation, adjustment, troubleshooting, and maintenance for this attachment (some manual sections do not apply to all accessories).

A separate Parts Manual for replacement parts can be purchased from your dealer or available free of charge at www.landpride.com. Have model and serial numbers handy when placing an order.

Manual Part Numbers:

4220ST & 4420ST

- Operator's Manual 700-504M
- Parts Manual 700-504P

General Information

These assembly instructions apply to the following ABS Canopy Top Accessory listed below:

701-174A TOP, BLACK ABS CANOPY

Tools required:

- Safety glasses
- Work gloves
- Phillips screwdriver
- 1/2" box end or open end wrench
- Phillips screw driver

Further Assistance

Your dealer wants you to be satisfied with your new ABS Canopy Top. If for any reason you do not understand any part of this manual or are not satisfied with the service received, the following actions are suggested:

1. Discuss the matter with your dealership service manager making sure he is aware of any problems you may have and that he has had the opportunity to assist you.
2. If you are still not satisfied, seek out the owner or general manager of the dealership, explain the problem and request assistance.
3. For further assistance write to:

Land Pride Service Department
1525 East North Street
P.O. Box 5060
Salina, Ks. 67402-5060

E-mail address
lp servicedept@landpride.com

Assembly Instructions

A detailed listing of parts for the accessory kit is provided on page 2. Use the list as a checklist to inventory parts received. Please contact your local Land Pride dealer for any missing hardware.

Initial Preparations

Before installing canopy top, the following procedure must be met to secure vehicle:

1. Park vehicle on a level surface. **Don't work under or around a vehicle parked on an incline.**
2. Set shift selector in Park, turn ignition switch off and remove switch key.
3. Chock front and back of a wheel to prevent vehicle from rolling.
4. If purchased, front windshield 701-172A should be installed first. Use assembly instructions 701-173M to install front windshield.

Assembly Instructions

Canopy Installation

Refer to Figure 1:

1. Remove backing from sponge rubber strips (#8) and attach to cross members by starting at weld line and extending up toward center of frame as shown.
2. Orient neoprene flat washers (#5) with metal side up and insert 5/16"-18 x 1 1/2" phillips pan head machine screws (#2) into the washers. Make sure metal side of washers are against the pan heads. Neoprene side seats against canopy top.
3. With straight leg of rubber coated tube clamps (#1) facing up, slip clamps over left and right accessory bars between cross members as shown.
4. Orient and place canopy top on four post accessory frame as shown.
5. Insert Phillips pan head machine screws (#2) with neoprene flat washers (#5) into the canopy mounting holes, rubber spacers (#6), tube clamps (#1) and flat washers (#4) as shown. Secure with 5/16" nylock nuts (#3). **Do not tighten nuts.**
6. Position canopy top as follows:
 - Without Front Windshield:**
 - Center canopy top over accessory frame to suit.
 - With Front Windshield:**
 - From behind, pull back until tight against front windshield seal.
7. Tighten Phillips pan head machine screws (#2) to 11 ft-lbs. of torque.

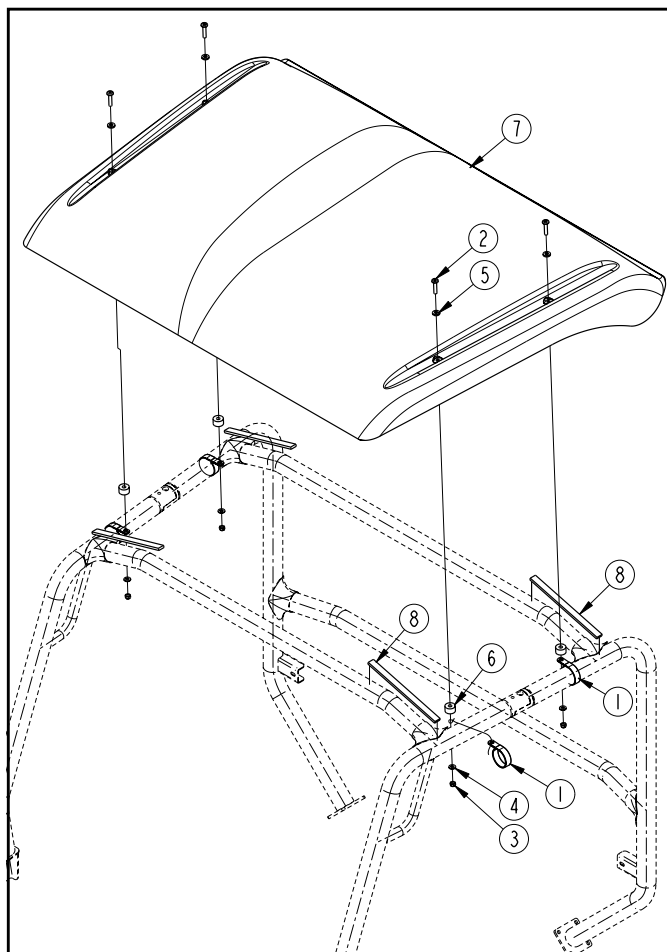


Figure 1

Kit No. 701-174A

ABS Canopy Top, Black For 4220ST & 4420ST Trekers

Item	Qty.	Part No.	Part Description
	1	701-175M	MANUAL, ABS CANOPY TOP
1	4	800-371C	CLAMP, COATED 2" ID, 5/16 BOLT
2	4	801-194C	PAN HD 5/16-18 x 1 1/2" LG PHILLPS
3	4	803-084C	NUT HEX NYLOCK 5/16"-18 PLT
4	4	804-084C	WASHER FLAT 5/16" HARD ASTM F436
5	4	804-135C	WASHER FLAT 5/16" NEOPRENE PLT
6	4	816-572C	SPACER, 1" OD x .375" ID x .625" RUBBER
7	1	817-691C	CANOPY, BLACK ABS MOLDED
8	4	990-235R	SPONGE RUBBER, 1/4" x 3/4" W/PSA (10" strips)



Corporate Office: P.O. Box 5060
Salina, Kansas 67402-5060 USA
www.landpride.com