

Head Rest With Mounting Post Assembly Instructions



For 4220ST and 4420ST Trekers

Manual No. 701-170M

Before You Start



When you see this symbol, the subsequent instructions and warnings are serious - follow without exception. Your life and the lives of others depend on it!

IMPORTANT: Before you begin, read these instructions and check to be sure all parts and tools are accounted for. Please retain these installation instructions for future reference and parts ordering information.

Your Head Rest With Mounting Post is exclusively designed for the Heavy Duty 4-Post Accessory Bar. Please read these installation instructions and your Treker Operator's Manual thoroughly before beginning. Especially read information relating to safety concerns. Also included in the Operator's Manual is important information on operation, adjustment, troubleshooting, and maintenance for this attachment (some manual sections do not apply to all accessories).

A separate Parts Manual for replacement parts can be purchased from your dealer or available free of charge at www.landpride.com. Have model and serial numbers handy when placing an order.

Manual Part Numbers:

- Operator's Manual (4220/4420 ST) 700-504M
- Parts Manual (4220/4420 ST) 700-504P

Further Assistance

Your dealer wants you to be satisfied with your new Treker. If for any reason you do not understand any part of this manual or are not satisfied with the service received, the following actions are suggested:

1. Discuss the matter with your dealership service manager making sure he is aware of any problems you may have and that he has had the opportunity to assist you.
2. If you are still not satisfied, seek out the owner or general manager of the dealership, explain the problem and request assistance.
3. For further assistance write to:

Land Pride Service Department
1525 East North Street
P.O. Box 5060
Salina, Ks. 67402-5060

E-mail address
lp servicedept@landpride.com

General Information

These assembly instructions apply to the following Back Screen and Head Rest accessories listed below:

701-169A HEAD REST WITH MOUNTING POST KIT

Tools required:

- Safety Glasses
- Work Gloves
- Two 7/16" box end or open end wrenches
- Two 1/2" box end or open end wrenches

Assembly Instructions

A detailed listing of parts for this accessory kit is provided on page 2. Use the list as a checklist to inventory parts received. Please contact your local Land Pride dealer for any missing hardware.

Initial Preparations

Before servicing the vehicle the following procedure must be met to secure the vehicle:

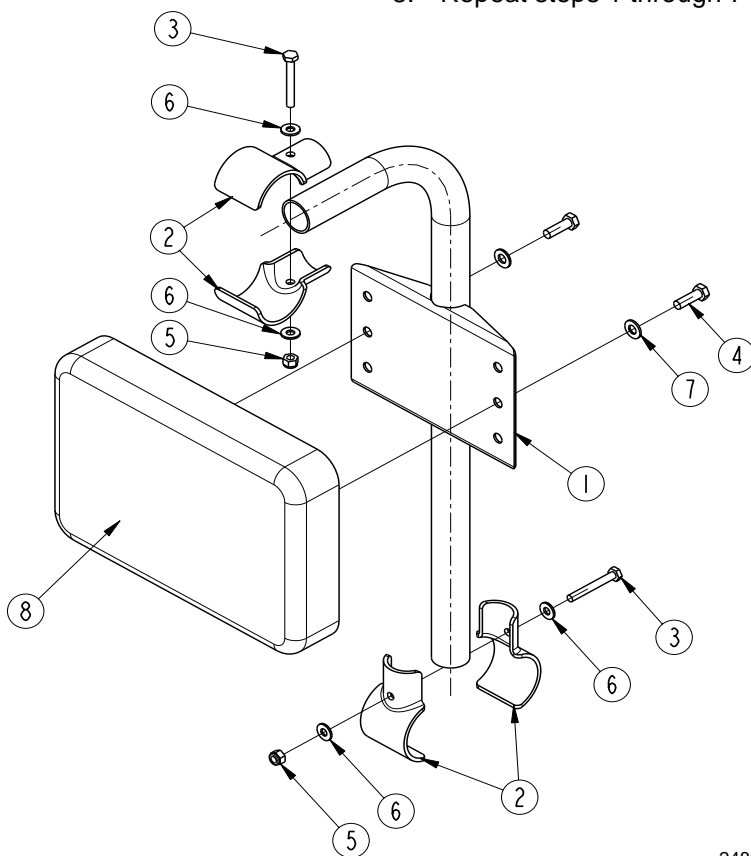
1. Park vehicle on a level surface. **Don't work under or around a vehicle parked on an incline.**
2. Set shift selector in Park.
3. Turn ignition switch off and remove switch key.
4. Chock front and back of a wheel to prevent the vehicle from rolling.

Assembly Instructions

Head Rest Assembly

Refer to Figure 1:

1. Behind the driver, attach bottom joint halves (#2) to the 4-Post Accessory Bar lower cross member with 1/4"-20 x 2" GR5 hex head cap screw (#3), 2- flat washers (#6) and nylock hex nut (#5). Do not tighten nylock nuts.
2. Attach top joint halves (#2) to the 4-Post Accessory Bar upper cross member with 1/4"-20 x 2" GR5 hex head cap screws (#3), 2- flat washers (#6) and nylock hex nuts (#5). Do not tighten nylock nuts.
3. Insert head rest mounting post (#1) into the bottom joint halves and then into the top joint halves.
4. Adjust joint halves to center the head rest behind the driver's head and tighten nylock nuts to 8 ft-lbs.
5. Locate a desirable height that will protect the driver's head using two of the six holes in the head rest mounting post (#1).
6. Attach head rests (#8) to the mounting post at that height with 5/16"-18 x 1" GR5 hex cap screws (#4) and flat washers (#7) as shown.
7. Tighten cap screws to 11 ft-lbs.
8. Repeat steps 1 through 7 for the passenger side.



24822

Head Rest Assembly
Figure 1

Kit No. 701-169A

HEAD REST WITH MOUNTING POST KIT

Item	Qty.	Part No.	Part Description
1	2	700-420H	HEAD REST MOUNTING POST
2	8	700-500d	JOINT PLATE
3	4	802-152C	HHCS 1/4-20X2 GR5
4	4	802-738C	HHCS 5/16-18 X 1 GR5
5	4	803-255C	NUT HEX NYLOCK 1/4-20
6	8	804-007C	WASHER FLAT 1/4 SAE PLT
7	2	804-036C	WASHER FLAT 5/16 SAE PLT
8	2	840-179C	HEAD REST WITH MOUNTING HARDWARE #4 & #7
	1	701-170M	MANUAL, HEAD REST WITH MOUNTING POST