

ATR TOP

Application

Before you begin, read these instructions and check to be sure all parts and tools are accounted for. Please retain these installation instructions for future reference and parts ordering information.



Kit Components:

<u>QTY.</u>	<u>Part Description</u>	<u>QTY.</u>	<u>Part Description</u>
1	Top	4	1/4-20 Screws
4	Rubber coated clamps	4	1/4-20 Nylon lock nuts
4	1" Flat washers	1	Instruction sheet
2	Rubber Spacers	2	3/16" Rivets

Installation Supplies:

- Phillips head screw driver
- 7/16" wrench
- Hand Riveter
- 3/16" Drill bit
- Power Drill

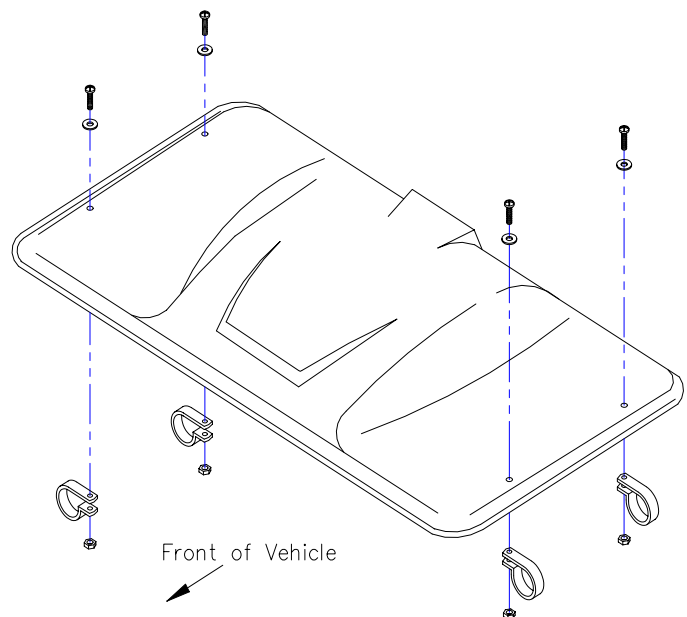
IMPORTANT: Your Land Pride accessory kit is exclusively designed for your Land Pride vehicle. Please read the installation instructions and operator's manual thoroughly before beginning. Installation of any item is easier if the vehicle is clean and free of debris.

Approximate Installation Time: 20 Minutes

INSTALLATION INSTRUCTIONS

* If your Land Pride does not have a windshield or a metal back accessory, please skip to #4.

1. From the side of the machine, measure 17" back from the upper forward most part of the cab frame. Where the top contacts the round tubing, mark the center location on the inside of the top.
2. From the inside, drill a 3/16 hole into the top.
3. Insert 3/16" rivet into rubber spacer, then rivet into the top from the underside.
4. Position top onto the cab frame, with the front edge of the top resting against the front most cab frame bar. The back of the top overhangs the cab frame to fully protect the operator. Install rubber coated clamps over cab frame tubing from the underside of the top as illustrated. Use the 1/4-20 screws, washers and 1/4-20 nylon lock nuts to secure the top to the cab frame, please refer to the illustration.



5. Check to be sure that top is securely fastened to the cab frame, adjust as necessary. Extra fasteners and clamps may be required for extreme use.