

Grab Light Assembly Instructions



Treker 4200/4400 NT/ST and 4210/4410 ST Series

Manual No. 701-147M

Before You Start



When you see this symbol, the subsequent instructions and warnings are serious - follow without exception. Your life and the lives of others depend on it!

IMPORTANT: Before you begin, read these instructions and check to be sure all parts and tools are accounted for. Please retain these installation instructions for future reference and parts ordering information.

Your Grab Light is exclusively designed for your Land Pride Treker. Please read these installation instructions and your Treker Operator's Manual thoroughly before beginning. Especially read information relating to safety concerns. Also included in the Operator's Manual is important information on operation, adjustment, troubleshooting, and maintenance for this attachment (some manual sections do not apply to all accessories).

General Information

These assembly instructions apply to the following Grab Light Accessories listed below:

701-007A GRAB LIGHT

Further Assistance

Your dealer wants you to be satisfied with your new Grab Light. If for any reason you do not understand any part of this manual or are not satisfied with the service received, the following actions are suggested:

1. Discuss the matter with your dealership service manager making sure he is aware of any problems you may have and that he has had the opportunity to assist you.
2. If you are still not satisfied, seek out the owner or general manager of the dealership, explain the problem and request assistance.
3. For further assistance write to:

Land Pride Service Department
1525 East North Street
P.O. Box 5060
Salina, Ks. 67402-5060

E-mail address
lpservicedept@landpride.com

Assembly Instructions

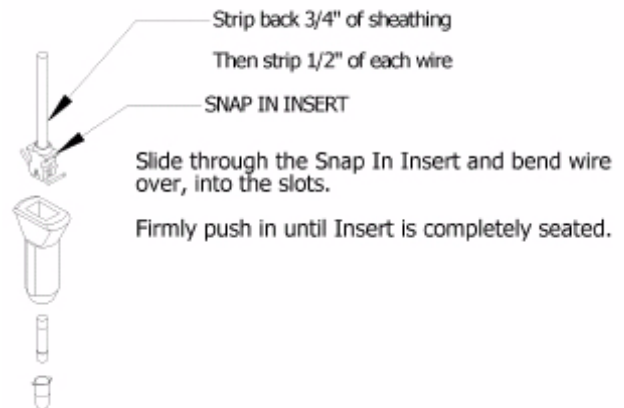
A detailed listing of parts for this accessory kit is provided on page 3. Use the list as a checklist to inventory parts received. Please contact your local Land Pride dealer for any missing hardware.



WARNING

Bulb surface will become hot during normal operation, do not touch or allow anything flammable to come into contact with it. Do not set face down on any surface. Use only 5-amp Automotive fuses in the fuse holder.

If choosing to use the Power Outlet, follow directions below.



MOUNT KIT

The GrabLight can be mounted to either side of the roll cage or the rack; which ever is more comfortable to you.

NOTE: Unpack the GrabLight from the box along with the mounting hardware. Place the 1 1/4" U-Clamp (#14) around the tube where you wish to mount the GrabLight. Attach the 1 1/4" U-Clamp (#14) to the L-Bracket (#6) using the 5/16" x 1 3/4" Black Carriage Bolt (#16) and the 1-1/8" U-Clamp Spacer Black (#15) as shown in Parts Breakdown. Secure with 5/16" Black Nylock Nut (#17). **Note: Some models may require the 1 3/4" U-Clamp (#20), 1 5/8" U-Clamp Spacer (#22), and 5/16" x 2 1/2" Carriage Bolt (#21) when mounting to the roll cage.**

Mount the Aluminum Bracket (#3) to the L-Bracket (#6) Using the 1/4" x 3/4" Black Carriage Bolt (#11), 1/4" x 7/8" x 1/16" Nylon Washer (#10), and one Clamp Knob (#4). Tension can be set with Clamp Knob (#4) to resist turning.

Assembly Instructions

If not using the Power Point, route the Wiring Harness to the battery. Be sure that the Wires **CANNOT** be pinched by moving parts, or allowed to come in contact with anything that may become Hot.

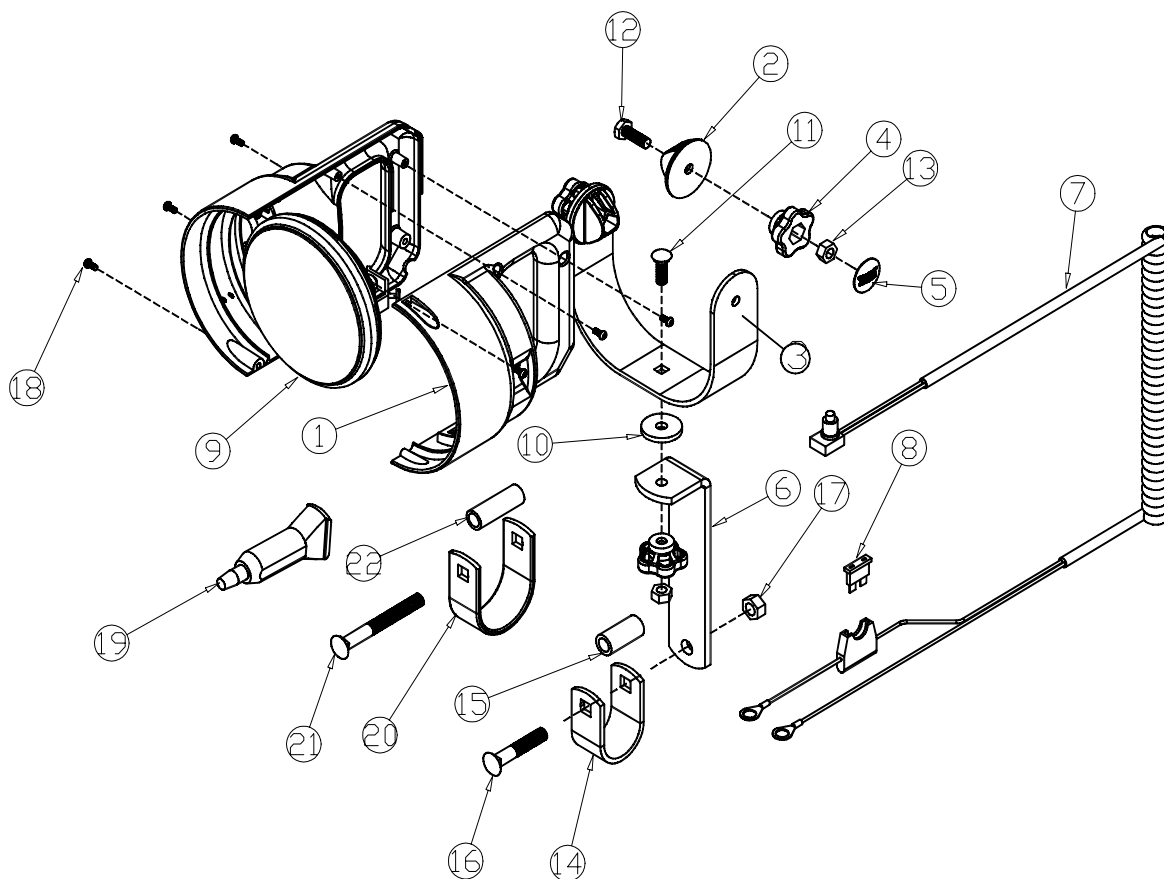
Connect the Red wire to the Positive (+) post of the battery. Connect the Black wire to Negative (-) post of the battery. Check the Fuse to be sure that it is good and fully inserted into the Fuse holder, located on the Red wire.



Listing of Parts

Kit No. 701-034A BACK SCREEN NT

Item	Part No.	Part Description	Qty
1	SPL100	GRABLIGHT HOUSING	2
2	SPL101	ENGAGEMENT BLOCKS	2
3	SPL102	ALUMINUM BRACKET	1
4	SPL103	CLAMP KNOB	3
5	SPL104	CLAMP KNOB STICKER	2
6	SPL105	L-BRACKET	1
7	SPL107	WIRING HARNESS	1
8	839-286C	5 AMP FUSE (5 PACK)	1
9	SPL108	37.5 WATT BULB	1
10	SP14-1125NY	1/4" X 1" X 1/8" NYLON WASHER	1
11	802-002C	RHSNB 1/4-20X3/4 GR5	1
12	802-004C	HHCS 1/4-20X3/4 GR5	2
13	803-255C	NUT HEX NYLOCK 1/4-20	3
14	UC-114BLK	U-CLAMP 1 1/4" BLACK	1
15	UCS118BLK	1-1/8" U-CLAMP SPACER BLACK	1
16	802-199C	RHSNB 5/16-18X2 GR5	1
17	803-084C	NUT HEX NYLOCK 5/16-18 PLT	1
18	PHB4-38	#4 X 3/8" PHILLIPS HEAD BOLT	6
19	SPL109	POWER PLUG	1
20	UC134BLK	1 3/4" U-CLAMP	11
21	802-709C	RHSNB 5/16-18 X 2 1/2 PLT GR5	1
22	UCS112BLK	1 1/2" U-CLAMP SPACER	1





Corporate Office: P.O. Box 5060
Salina, Kansas 67402-5060 USA
www.landpride.com
