

NT & ST Front Boot Guard Assembly Instructions



Treker All NT & ST Series

Manual No. 701-146M

Before You Start



When you see this symbol, the subsequent instructions and warnings are serious - follow without exception. Your life and the lives of others depend on it!

IMPORTANT: Before you begin, read these instructions and check to be sure all parts and tools are accounted for. Please retain these installation instructions for future reference and parts ordering information.

Your NT & ST Front Boot Guard is exclusively designed for your Land Pride NT & ST Treker. Please read these installation instructions and your NT & ST Treker Operator's Manual thoroughly before beginning. Especially read information relating to safety concerns. Also included in the Operator's Manual is important information on operation, adjustment, troubleshooting, and maintenance for this attachment (some manual sections do not apply to all accessories).

General Information

These assembly instructions apply to the following NT & ST Front Boot Guard Accessories listed below:

701-057A NT & ST Front Boot Guard

Further Assistance

Your dealer wants you to be satisfied with your new NT & ST Front Boot Guard. If for any reason you do not understand any part of this manual or are not satisfied with the service received, the following actions are suggested:

1. Discuss the matter with your dealership service manager making sure he is aware of any problems you may have and that he has had the opportunity to assist you.
2. If you are still not satisfied, seek out the owner or general manager of the dealership, explain the problem and request assistance.
3. For further assistance write to:

Land Pride Service Department
1525 East North Street
P.O. Box 5060
Salina, Ks. 67402-5060

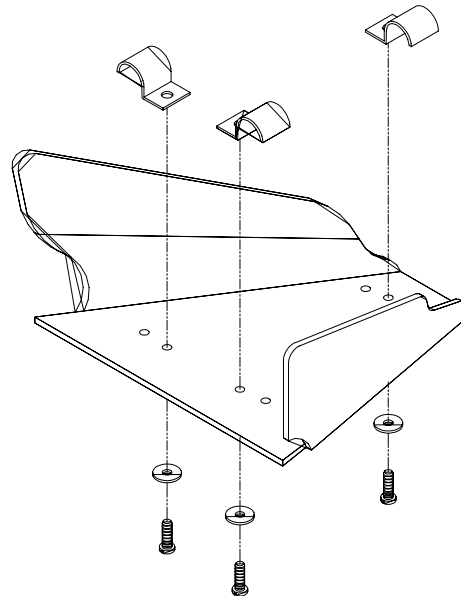
E-mail address
lpservicedept@landpride.com

Assembly Instructions

Application

Before you begin, check to be sure all parts are accounted for. Please retain the installation instructions for future reference and parts ordering information.

REAR VIEW OF RIGHT HAND GUARD



Kit Components:

QTY.	Part Description
1	LH Arm Guard
1	RH Arm Guard
6	Screws
6	Washers
6	Brackets
1	Instruction sheet

IMPORTANT: Your Land Pride boot guard kit is exclusively designed for your Land Pride vehical. Please read the installation instructions and operator's manual thoroughly before beginning. Installation of any item is easier if the vehicle is clean and free of debris.

Approximate Installation Time: 15 Minutes

Assembly Instructions

INSTALLATION INSTRUCTIONS

1. Position guards under the a-arms. Install brackets over a-arm tubing as illustrated using screws and washers supplied with this kit.

NOTE: Trucks may have one of two different styles arms, this boot guard kit is designed to accept both styles. Depending on which style you have you may have to use the inner or outer mount holes.

2. Repeat for the other side. Be sure to check for any obstruction before use, adjust as necessary.
3. Periodically check hardware torque, adjust as necessary. It is recommended that you use blue, medium loc-tite on all fasteners.
4. Turn the wheels fully both directions and inspect for interference. Adjust as necessary.



Corporate Office: P.O. Box 5060
Salina, Kansas 67402-5060 USA
www.landpride.com