

ATR FRONT BOOT GUARDS

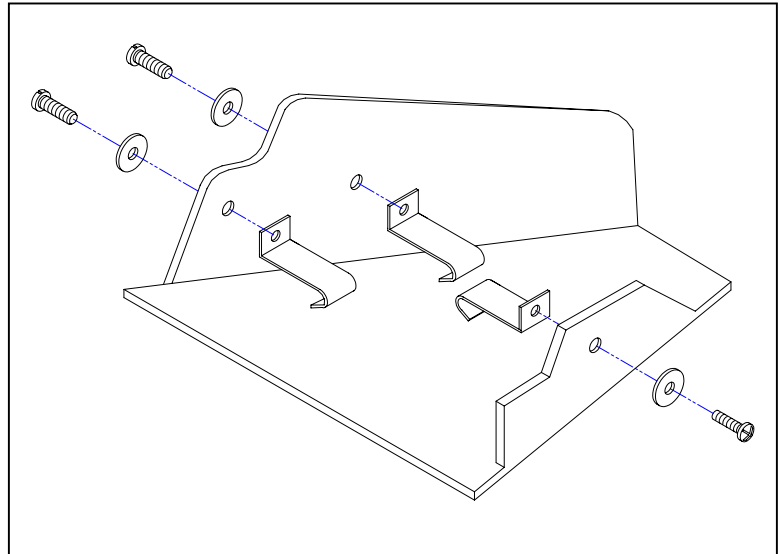


Application

Before you begin, check to be sure all parts and tools are accounted for. Please retain the installation instructions for future reference and parts ordering information.

Kit Components:

<u>QTY.</u>	<u>Part Description</u>
1	LH A-arm Guard
1	RH A-arm Guard
6	Screws
6	Washers
6	Brackets
1	Instruction



Installation Supplies:

Phillips head screw driver

IMPORTANT: Your Land Pride boot guard kit is exclusively designed for your Land Pride vehicle. Please read the installation instructions and operator's manual thoroughly before beginning. Installation of any item is easier if the vehicle is clean and free of debris.

Approximate Installation Time: 15 Minutes

INSTALLATION INSTRUCTIONS

1. Position guards under the a-arms. Install brackets over a-arm tubing as illustrated using screws and washers supplied with this kit.
2. Turn the wheels fully both directions and inspect for interference. Adjust as necessary.