

Roller Fairlead Assembly Instructions



Treker Treker

Manual No. 701-131M

Before You Start



When you see this symbol, the subsequent instructions and warnings are serious - follow without exception. Your life and the lives of others depend on it!

IMPORTANT: Before you begin, read these instructions and check to be sure all parts and tools are accounted for. Please retain these installation instructions for future reference and parts ordering information.

Your Roller Fairlead is exclusively designed for your Land Pride Treker. Please read these installation instructions and your Treker Operator's Manual thoroughly before beginning. Especially read information relating to safety concerns. Also included in the Operator's Manual is important information on operation, adjustment, troubleshooting, and maintenance for this attachment (some manual sections do not apply to all accessories).

General Information

These assembly instructions apply to the following Roller Fairlead Accessories listed below:

701-001A Treker Roller Fairlead

Further Assistance

Your dealer wants you to be satisfied with your new Roller Fairlead. If for any reason you do not understand any part of this manual or are not satisfied with the service received, the following actions are suggested:

1. Discuss the matter with your dealership service manager making sure he is aware of any problems you may have and that he has had the opportunity to assist you.
2. If you are still not satisfied, seek out the owner or general manager of the dealership, explain the problem and request assistance.
3. For further assistance write to:

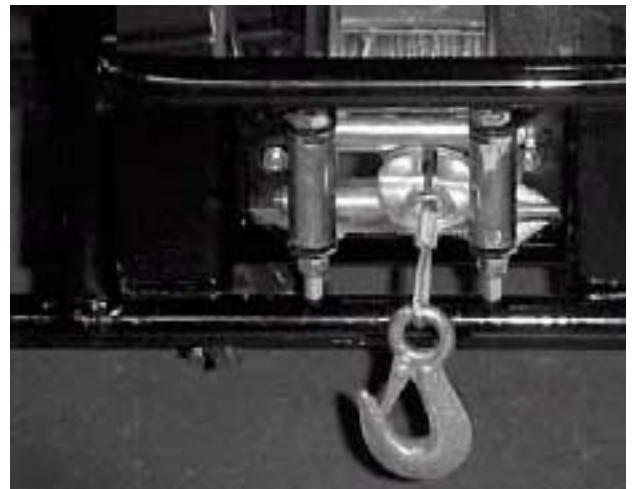
Land Pride Service Department
1525 East North Street
P.O. Box 5060
Salina, Ks. 67402-5060

E-mail address
lpservicedept@landpride.com

Assembly Instructions

A detailed listing of parts for this accessory kit is provided on page 3. Use the list as a checklist to inventory parts received. Please contact your local Land Pride dealer for any missing hardware.

ALL DIRECTIONS REFERRING TO THE RIGHT AND LEFT ARE WHEN THE OPERATOR IS ON THE MACHINE.E

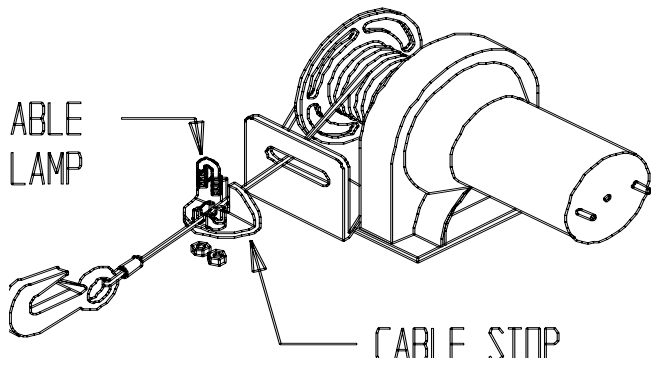


1. Using two 3/8" x 1" Carriage Bolts (#4) attach the Roller Hawse assembly (#1) to the front side of the Brush Guard. See the picture above. When using the winch to raise and lower a BLADE the Cable Stop must be installed.

1. Hook the Winch Cable to the Winch Cable Attaching Bracket; carefully raise the blade until the tubes of the Push Tube are no closer than 1" anywhere on the ATV.

Place the Cable Stop onto the Winch Cable up against the Winch Hawse. Secure the Cable Stop to the Winch cable using the Cable Clamp Assembly as shown in the diagram on next page.

Assembly Instructions

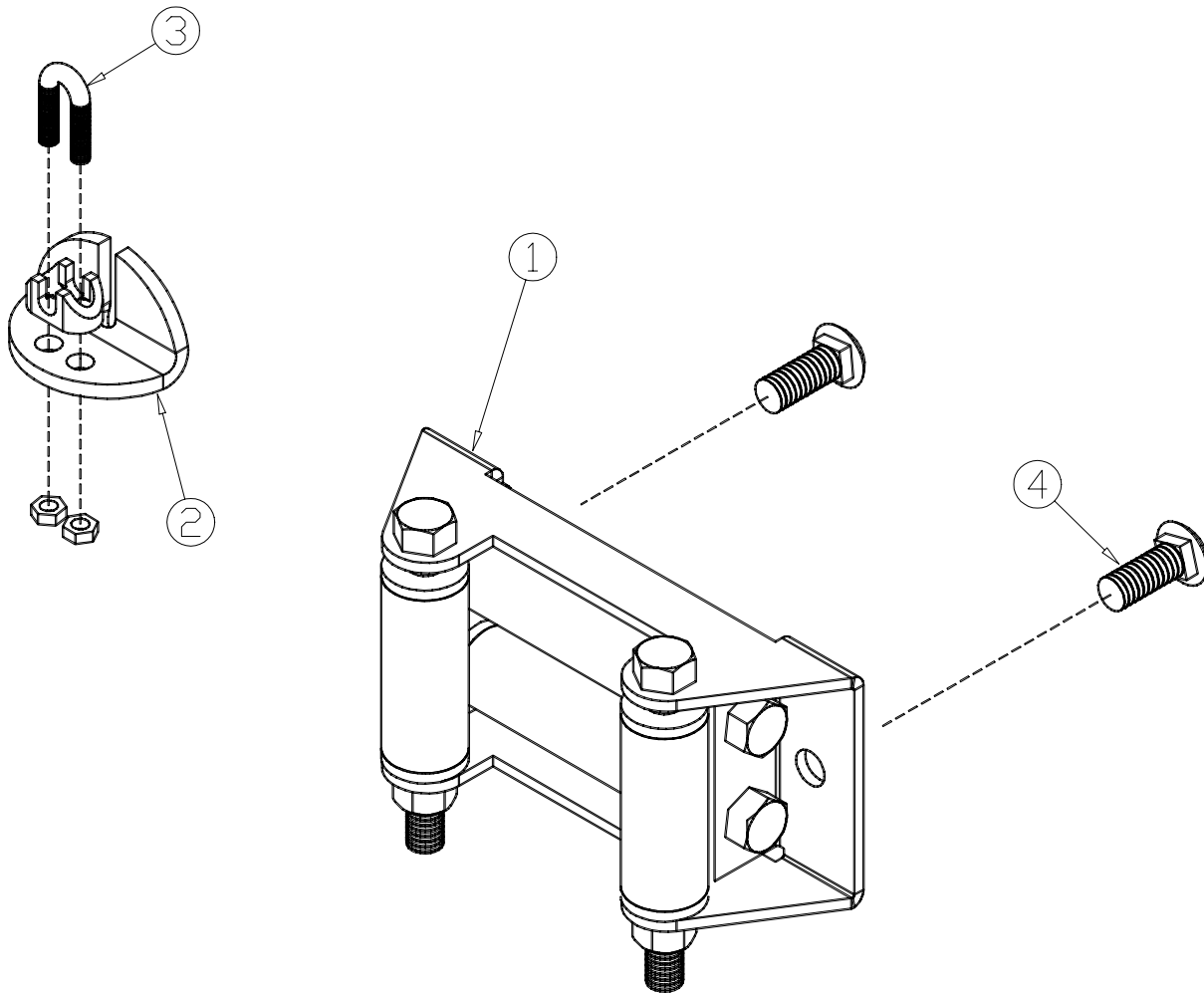


Listing of Parts

Kit No. 701-001A

ROLLER FAIRLEAD

Item	Part No.	Part Description	Qty
1	701-001A	ROLLER FAIRLEAD W/INSTRUCT.	
2	9037	CABLE STOP	
3	CC316	3/16" CABLE CLAMP	
4	802-015C	RHSNB 3/8-16X1 GR5	





Corporate Office: P.O. Box 5060
Salina, Kansas 67402-5060 USA
www.landpride.com
