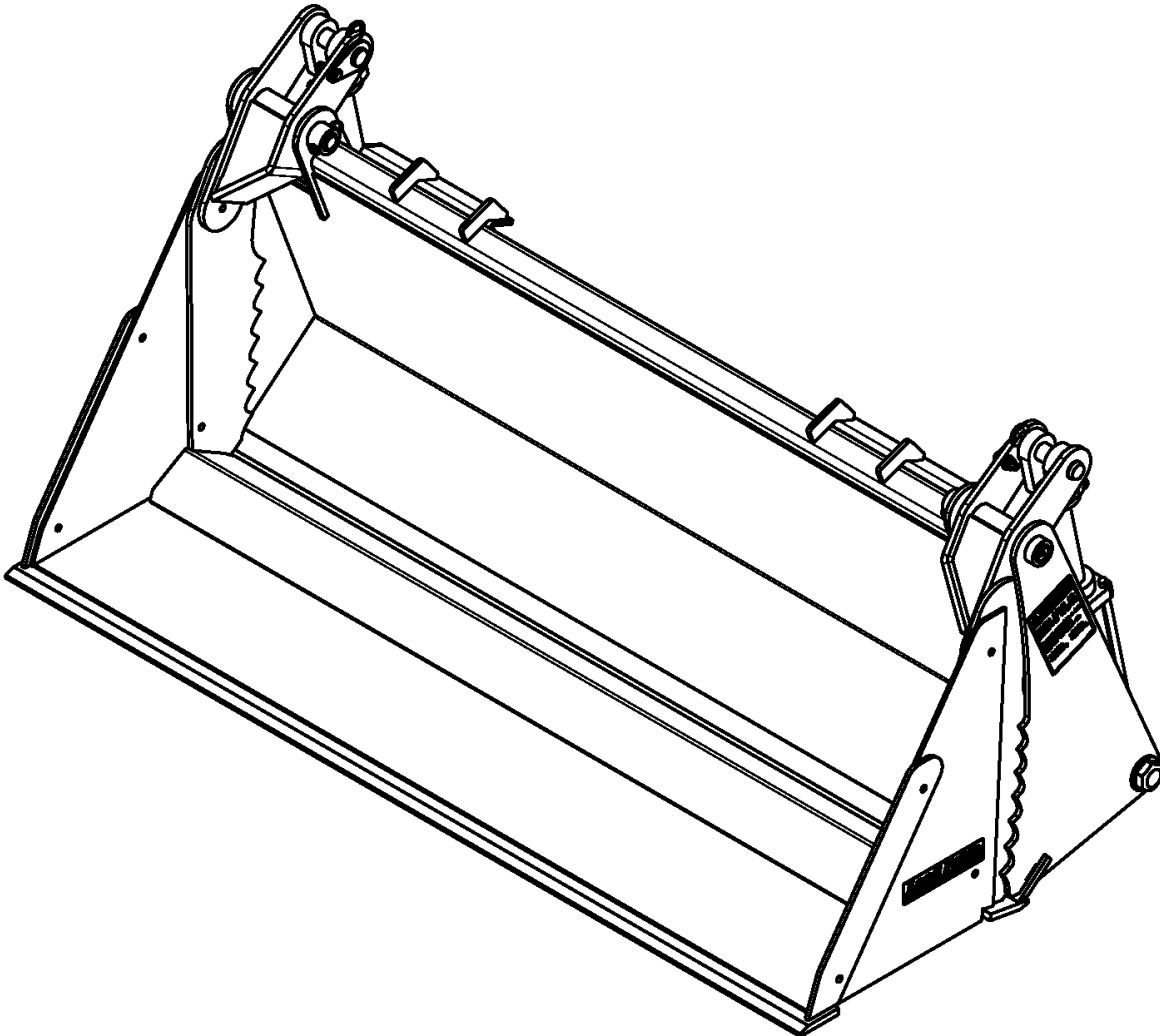


# 4-in-1 Combination Bucket

---

CB1060



72035

**381-169P**  
**Parts Manual**

**Kubota®**



Read the Operator's Manual entirely. When you see this symbol, the subsequent instructions and warnings are serious - follow without exception. Your life and the lives of others depend on it!

© Copyright 2019 Printed 10/04/19

*Cover photo may show optional equipment not supplied with standard unit.*



# Table of Contents

---

<b>Section 1: Introduction.....</b>	<b>4</b>
Using This Manual.....	4
Manual Replacement Information.....	4
Manual Revisions.....	4
Touch-up Paint.....	4
Hardware Legend.....	5
Replacement Hardware.....	5
Serial Numbers.....	5
Part Number Service Coding.....	5
<b>Section 2: Main Assembly.....</b>	<b>6</b>
Jaw & Base Assembly.....	6
<b>Section 3: Hydraulics.....</b>	<b>8</b>
Hydraulic Components.....	8
Hydraulic Cylinder (810-601C) Midway.....	10
<b>Section 4: Options &amp; Accessories.....</b>	<b>12</b>
Third Function Hose Kit 380-150A.....	12
Third Function Valve Kit 380-093A for Kubota B3300 & LA504.....	14
Third Function Valve Kit 380-152A for Kubota L2501 L3200 L3800 L3301 L3901 L4600 & L4701.....	16
Third Function Valve Kit 380-168A for Kubota B3350 B2650 & LA534 LA534A.....	18
<b>Section 5: Decals &amp; Touch-up Paint.....</b>	<b>20</b>
Decal Placement.....	20
Land Pride Touch-up Paints.....	22
<b>Part Number Index.....</b>	<b>24</b>

© Copyright 2019. All rights reserved.

Kubota provides this publication “as is” without warranty of any kind, either expressed or implied. While every precaution has been taken in the preparation of this manual, Kubota assumes no responsibility for errors or omissions. Neither is any liability assumed for damages resulting from the use of the information contained herein. Kubota reserves the right to revise and improve its products as it sees fit. This publication describes the state of this product at the time of its publication, and may not reflect the product in the future. The illustrations in this manual are not intended for safe and proper assembly or disassembly of equipment. The illustrations are intended for ordering parts only.

Kubota is registered trademark.

All other brands and product names are trademarks or registered trademarks of their respective holders.

*Printed in the United States of America.*



# Alphabetized Table of Contents

---

<b>D</b>	
Decal Placement.....	20
<b>H</b>	
Hydraulic Components.....	8
Hydraulic Cylinder (810-601C) Midway.....	10
<b>J</b>	
Jaw & Base Assembly.....	6
<b>L</b>	
Land Pride Touch-up Paints.....	22
<b>T</b>	
Third Function Hose Kit 380-150A.....	12
Third Function Valve Kit 380-093A for Kubota B3300 & LA504.....	14
Third Function Valve Kit 380-152A for Kubota L2501 L3200 L3800 L3301 L3901 L4600 & L4701.....	16
Third Function Valve Kit 380-168A for Kubota B3350 B2650 & LA534 LA534A.....	18

# General Information

## Using This Manual

This manual is divided into sections. The first section contains General Information. The remaining sections divide the machine into segments (i.e. Frames, Drives, Hydraulics, etc.) which illustrate and list all parts. A Parts Number Index is located at the back of the book.

The Kubota parts in this manual are specially designed for this machine and should be replaced with Kubota parts only.

The information in this manual is current at time of printing. Some parts may change to assure top performance.

Right-hand and left-hand as used in this manual are determined by facing the direction the machine will travel while in use.

Below is an example of two facing pages from a parts manual. Familiarize yourself with the type of information contained on these pages.

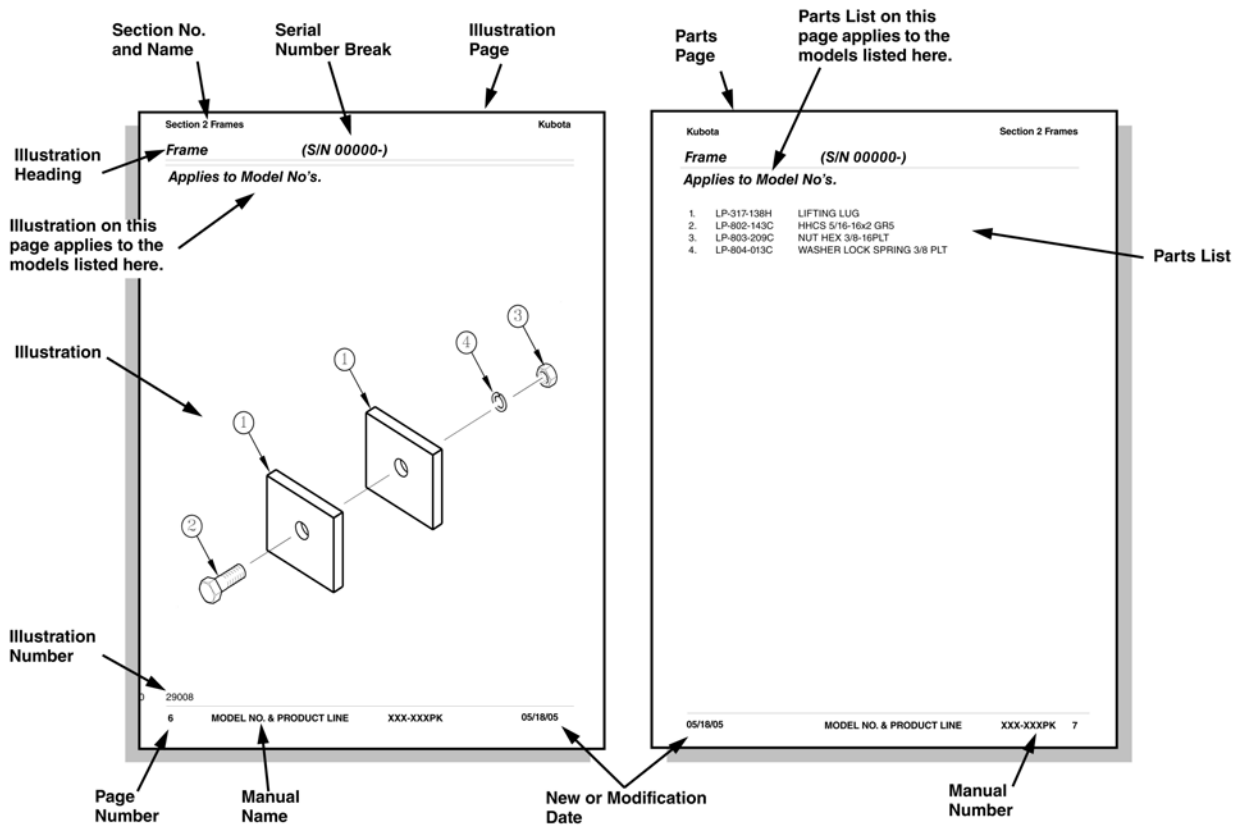
## Manual Replacement Information

Replacement manuals are available. Refer to our website at [www.landpride.com](http://www.landpride.com) for additional information. Our website continues to provide the most up-to-date manuals available.

## Touch-up Paint

Repaint parts where paint is worn or scratched to prevent rust. Aerosol cans and touch-up bottles with brush applicator are available through your local dealer. Also available are quart and gallon size paints. Add QT or GL to end of the Aerosol P/N.

Kubota color descriptions and part numbers are listed on the "Kubota Touch-up Paints" page in the "Decals" section of this book.



# General Information

## Hardware Legend

AR	As Required
BLADE	Blade Bolt
C	Cap Screw
CP	Cotter Pin
CPHSSS	Cup Point Hex Socket Set Screw
CPSHSS	Cup Point Square Head Set Screw
CPSQHSS	Cup Point Square Head Set Screw
CRFCHMS3	Cross Recess Flat Countersunk Head Machine Screw
CRPHMS	Cross Recess Pan Head Machine Screw
CRPHTFS	Cross Recess Pan Head Thread Forming
CRRHMS	Cross Recess Round Head Machine Screw
CRTHMS	Cross Recess Truss Head Machine Screw
CSNB	Countersunk Square Neck Bolt
FHMS	Flat Head Machine Screw
FTC	Full Thread Cap Screw
H	Hex Nut
HCLN	Hex Center Lock Nut
HFLCS	Hex Flange Lock Cap Screw
HFS	Hex Flange Screw
HFSLN	Hex Flange Serrated Lock Nut
HFSS	Hex Flange Serrated Screw
HHCS	Hex Head Cap Screw or Metric Bolt
HSBHCS	Hex Socket Button Head Cap Screw
HSFCHCS	Hex Socket Flat Countersunk Head Cap Screw
HSHCS	Hex Socket Head Cap Screw
HSSS	Hex Socket Head Screw
HTLN	Hex Top Lock Nut
HWHCS	Hex Washer Head Cap Screw

HWHMS	Hex Washer Head Machine Screw
HXBHCS	Hex Socket Button Head Cap Screw
J	Hex Jam Nut
JIC	37 Degree Tapered Thread
L	Helical Spring Lock Washer
LUG	Lug Bolt
NFC	National Fine Cap Screw
NPSM	National Pipe Straight Mechanical
NPTF	National Pipe Taper Fuel
P	Wide Plain Washer
PHMS	Pan Head Machine Screw
PLOW	Plow Bolt
RHMS	Round Head Machine Screw
RHSNB	Round Head Square Neck Bolt
SCREW LEVELING	Leveling Screw
SCREW THUMB	Thumb Screw
SCREW WELD	Weld Screw
SFCHMS	Slotted Flat Countersunk Head Machine Screw
SFHMS	Slotted Fillister Head Machine Screw
SP	Special
SP SCREW	Special Screw
SQHSS	Square Head Set Screw
SRHMS	Slotted Round Head Machine Screw
SSS	Socket Set Screw
STCS	Self Tapping Cap Screw
STHMS	Slotted Truss Head Machine Screw
WHEEL	Wheel Studs and Hub Long Bolts
WING	Wing Bolt

## Replacement Hardware

The **Hardware Legend** above lists hardware abbreviations used in the parts list. All bolts and nuts are Grade 5 unless otherwise noted. The use of improper grades of hardware can result in personal injury, damage to equipment, or loss of property.

## Part Number Service Coding

Within the parts list some part numbers are coded for revisions and interchangeability. See notations in revision column.

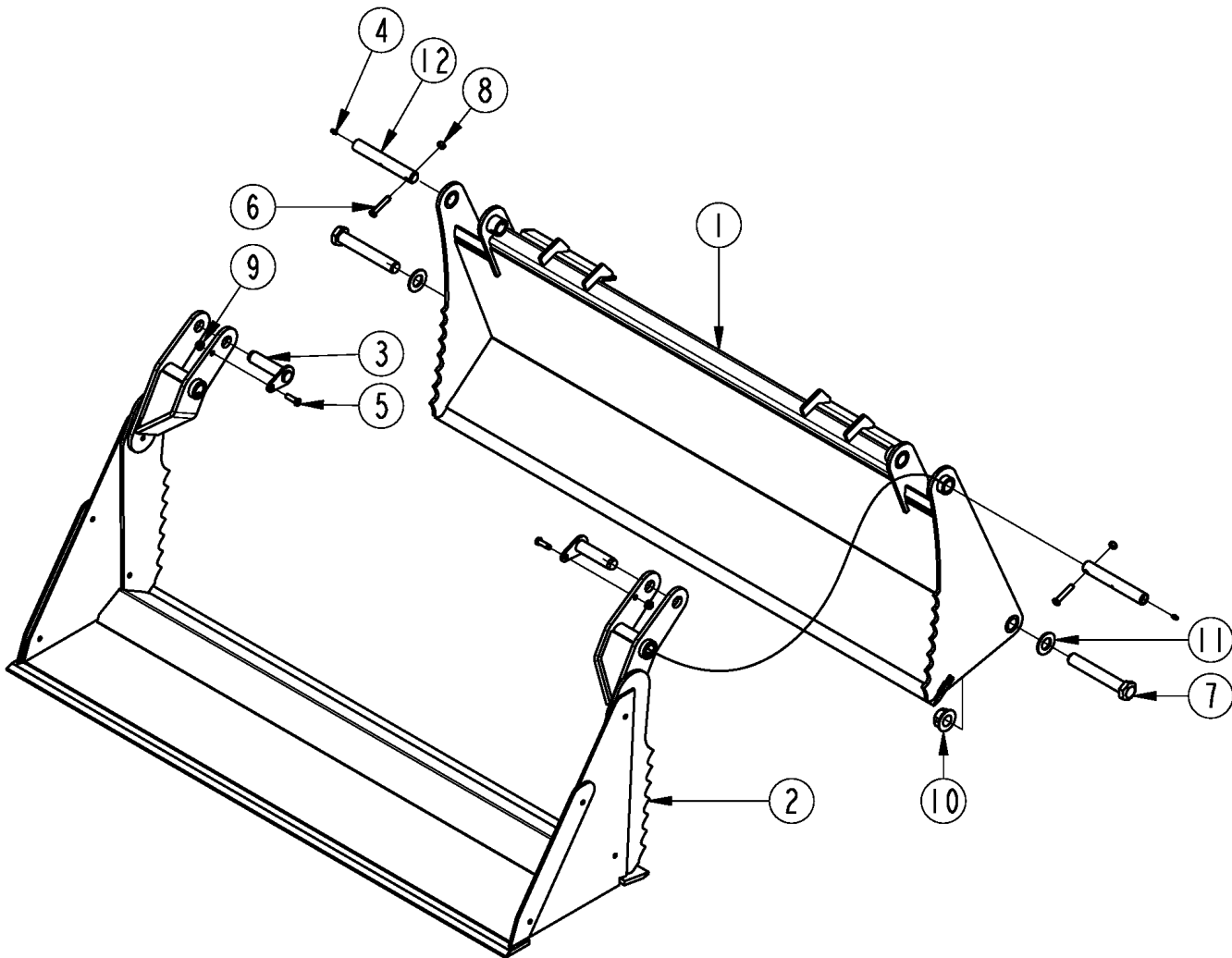
### Serial Numbers

Always use the serial and model number when ordering parts. Refer to the Operator's Manual for serial number plate location.

- (S/N 20001+)                      Includes serial numbers 20001 and above (to the latest number)
- (S/N 10001 to 20000)           Includes serial numbers between and including 10001 and 20000
- (S/N 10000-)                      Includes serial numbers 10000 and below (to the earliest number)

# Jaw & Base Assembly

Applies to CB1060



72041

**Jaw & Base Assembly**

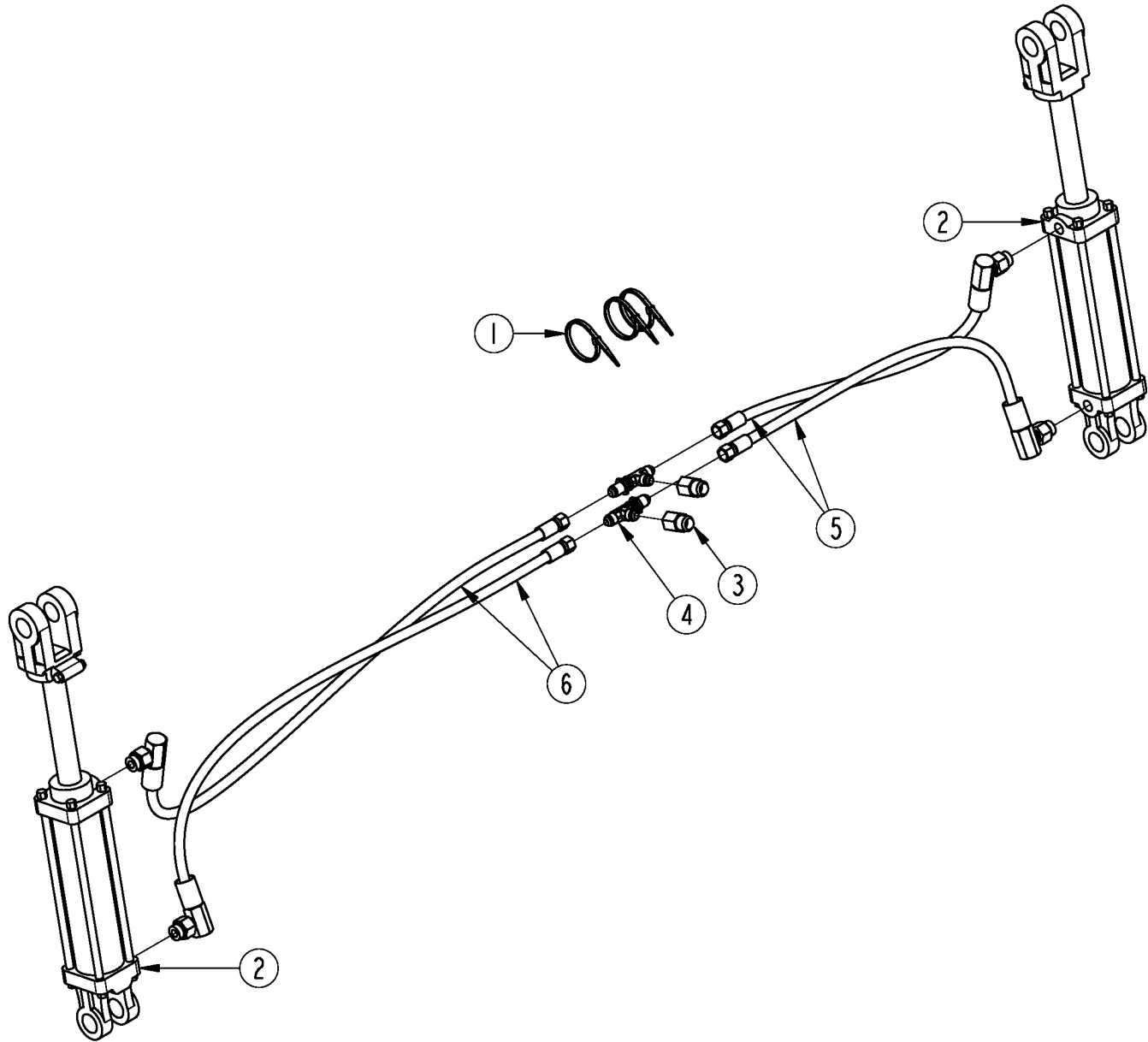
---

**Applies to CB1060**

<b>Ref</b>	<b>Part No.</b>	<b>Part Description</b>	<b>Comments</b>	<b>Revision</b>
	dwg 72041	Image No.		
1.	381-168H82	60" COMBO BUCKET BASE		
2.	381-173H82	60" COMBO BUCKET JAW		
3.	381-177H	WMT, PIVOT PIN		
4.	800-001C	GREASE ZERK STRAIGHT 1/4-28		
5.	802-079C	HHCS 3/8-16X1 1/4 GR5		
6.	802-143C	HHCS 3/8-16X2 GR5		
7.	802-762C	HHCS 1-8X6 1/2 GR8		
8.	803-013C	NUT LOCK 3/8-16 PLT		
9.	803-209C	NUT FLANGE LOCK 3/8-16 PLT		
10.	803-258C	NUT HEX FLG LOCK 1-8 GR B PLT		
11.	804-029C	WASHER FLAT 1 SAE		
12.	805-591C	PIN 1.0X6.29 USBL		

# Hydraulic Components

Applies to CB1060



72049



**Hydraulic Components**

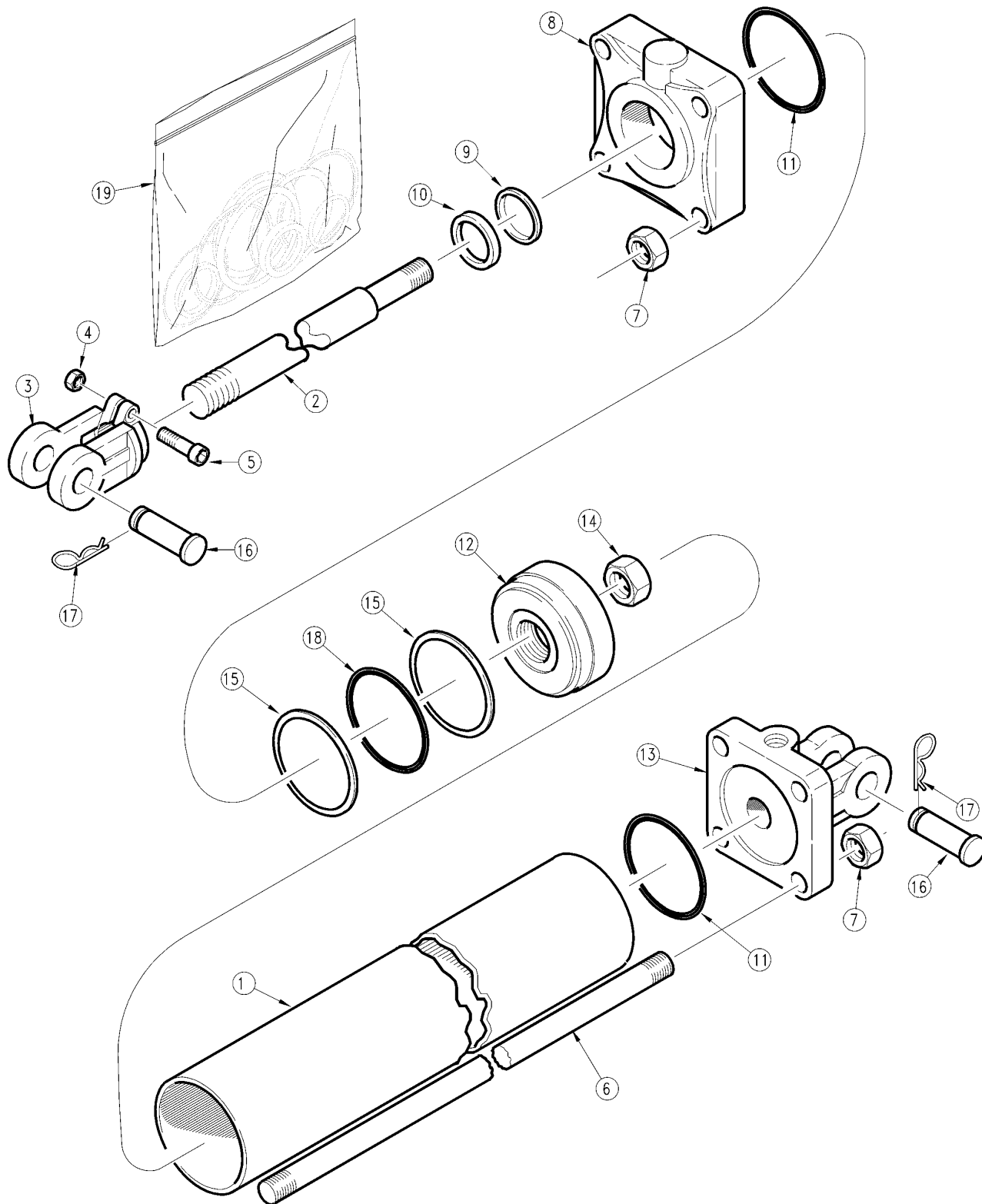
---

**Applies to CB1060**

<b>Ref</b>	<b>Part No.</b>	<b>Part Description</b>	<b>Comments</b>	<b>Revision</b>
	dwg 72049	Image No.		
1.	800-112C	CABLE TIE .19X7.25 1.75D 50LB		
2.	810-601C	CYL 2X6X1.125 ROD (TIE ROD)		
3.	851-300C	AD 3/4MJIC 9/16FJIC		
4.	851-778C	TE RUN BLKHD 9/16MJIC W/ LN		
5.	861-225C	HH1/4R2 21 9/16FJIC 3/4MORB90S		
6.	861-226C	HH1/4R2 35 9/16FJIC 3/4MORB90S		

# Hydraulic Cylinder (810-601C) Midway

Applies to CB1060



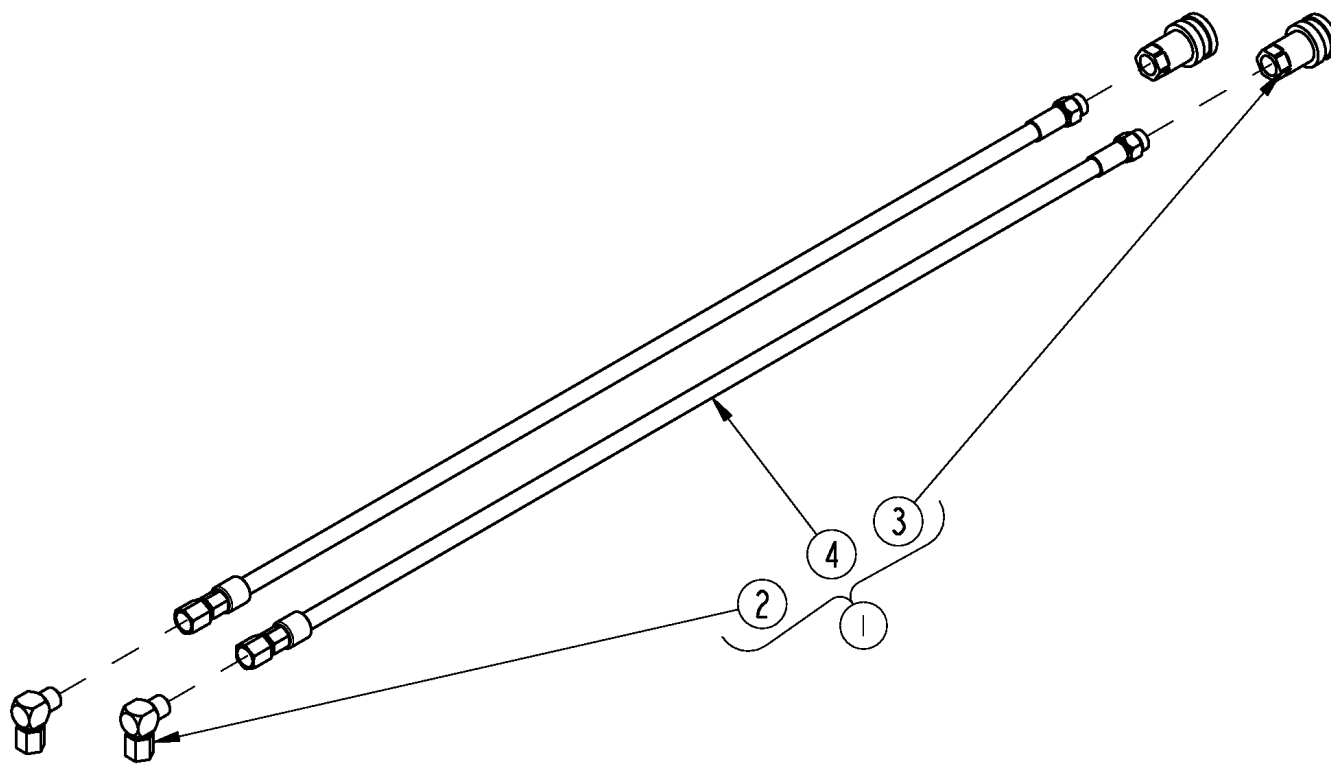
24812

***Hydraulic Cylinder (810-601C) Midway*****Applies to CB1060**

<b>Ref</b>	<b>Part No.</b>	<b>Part Description</b>	<b>Comments</b>	<b>Revision</b>
	Dwg 24812	Drawing Image Number		
	810-601C	CYL 2X6X1.125 ROD (TIE ROD) *		
1.	5M2114	MIDWAY TUBE		
2.	2M2312	MIDWAY ROD		
3.	1M6006-ADI	MIDWAY HARDENED CLEVIS ADI		
4.	803-234C	NUT HEX 3/8-16 PLAIN		
5.	802-023C	HHCS 3/8-16X1 3/4 GR5		
6.	7M2314	MIDWAY TIE ROD		
7.	803-234C	NUT HEX 3/8-16 PLAIN		
8.	3R0124	MW HEAD		
9.	N/A	*	Only in seal kit #19	
10.	N/A	*	Only in seal kit #19	
11.	N/A	*	Only in seal kit #19	
12.	4M2108	MW PISTON		
13.	6R0062	MIDWAY BASE		
14.	803-114C	NUT LOCK 3/4-16 NYLOC COLLAR		
15.	N/A	*	Only in seal kit #19	
16.	805-004C	PIN CLEVIS 1 X 2 3/4 USABLE LG		
17.	805-088C	PIN, HAIR COTTER 3/16 WIRE DIA		
18.	N/A	*	Only in seal kit #19	
19.	810-310C	SEAL KIT MW 5A2104		

# Third Function Hose Kit 380-150A

Applies to CB1060



37014

***Third Function Hose Kit 380-150A***

---

**Applies to CB1060**

<b>Ref</b>	<b>Part No.</b>	<b>Part Description</b>	<b>Comments</b>	<b>Revision</b>
	Dwg 37014	Drawing Image Number		
1.	380-150A	HOSE KIT, THIRD FUNCTION		
2.	811-150C	EL 3/4FJIC 3/4MJIC		
3.	811-870C	CP 3/4FORB QD FEMALE (POPPET)		
4.	851-090C	HH3/8R2 044 3/4FJIC 3/4MORB		

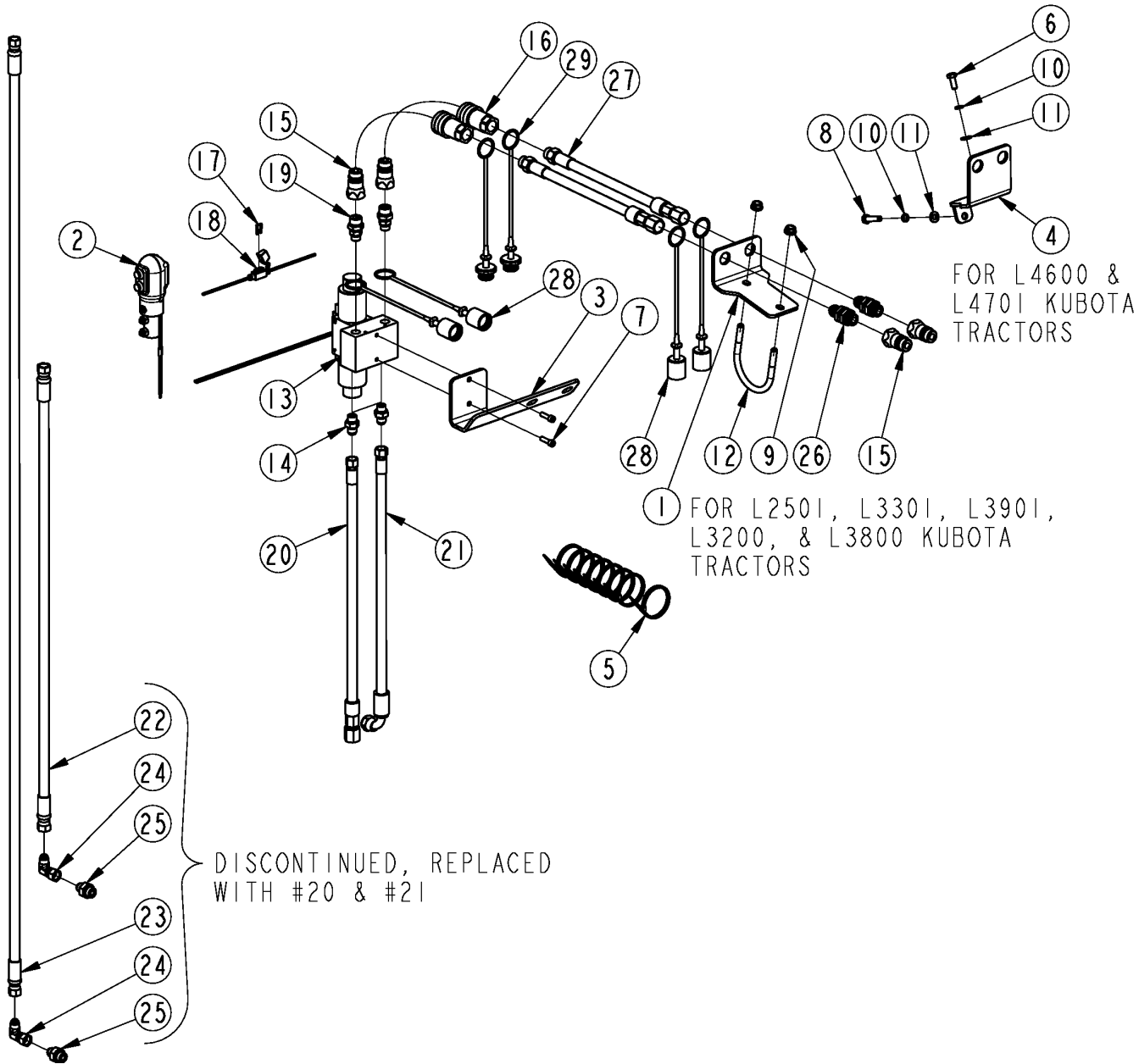


**Third Function Valve Kit 380-093A for Kubota B3300 & LA504****Applies to CB1060**

<b>Ref</b>	<b>Part No.</b>	<b>Part Description</b>	<b>Comments</b>	<b>Revision</b>
	Dwg 37013	Drawing Image Number		
	380-093A	VALVE KIT B3300 3RD FNCTION *		
1.	380-164D	PLATE, BLKHD MOUNT		
2.	380-165D	PLATE, VALVE MOUNT		
3.	380-165S	ASY, PUSH BUTTON CNTRL HNDL		
4.	802-418C	HSHCS 1/4-20X7/8		
5.	803-112C	NUT HEX M18X2.5		
6.	803-198C	NUT HEX WHIZ 3/8-16 PLT		
7.	804-024C	WASHER FLAT 3/4 USS PLT		
8.	806-261C	U-BOLT 3/8-16X3X3 5/8 RND		
9.	810-926C	VALVE, THIRD FUNCTION		
10.	811-133C	AD 9/16MJIC 3/4MORB		
11.	811-169C	EL 9/16MJIC 9/16FJIC		
12.	811-170C	AD 9/16MORB 9/16MJIC		
13.	811-253C	HH3/8R2 062 9/16FJIC		
14.	811-394C	CP 3/4FORB MALE QD POPPET TYPE		
15.	811-870C	CP 3/4FORB QD FEMALE (POPPET)		
16.	833-495C	FUSE, 10 AMP MINI BLADE		
17.	833-650C	BLADE FUSE HOLDER, MINI		
18.	841-563C	HH3/8R2 048 FJIC9/16FJIC9/16		
19.	842-216C	HHCS M18X2.5X50 GR8.8 FTHD		
20.	851-084C	AD 9/16MORB 3/4MORB		
21.	851-087C	AD 9/16MJIC 1/4MBSPP		
22.	851-088C	HH3/8R2 074 3/4FJIC 3/4MORB		
23.	851-344C	AD 3/4MJIC 3/4MORB BLKHD W/ LN		
24.	851-974C	DUST CAP, 1/2" QD AG		
25.	851-975C	DUST PLUG, 1/2" QD AG		

**Third Function Valve Kit 380-152A for Kubota L2501 L3200 L3800 L3301 L3901 L4600 & L4701**

Applies to CB1060



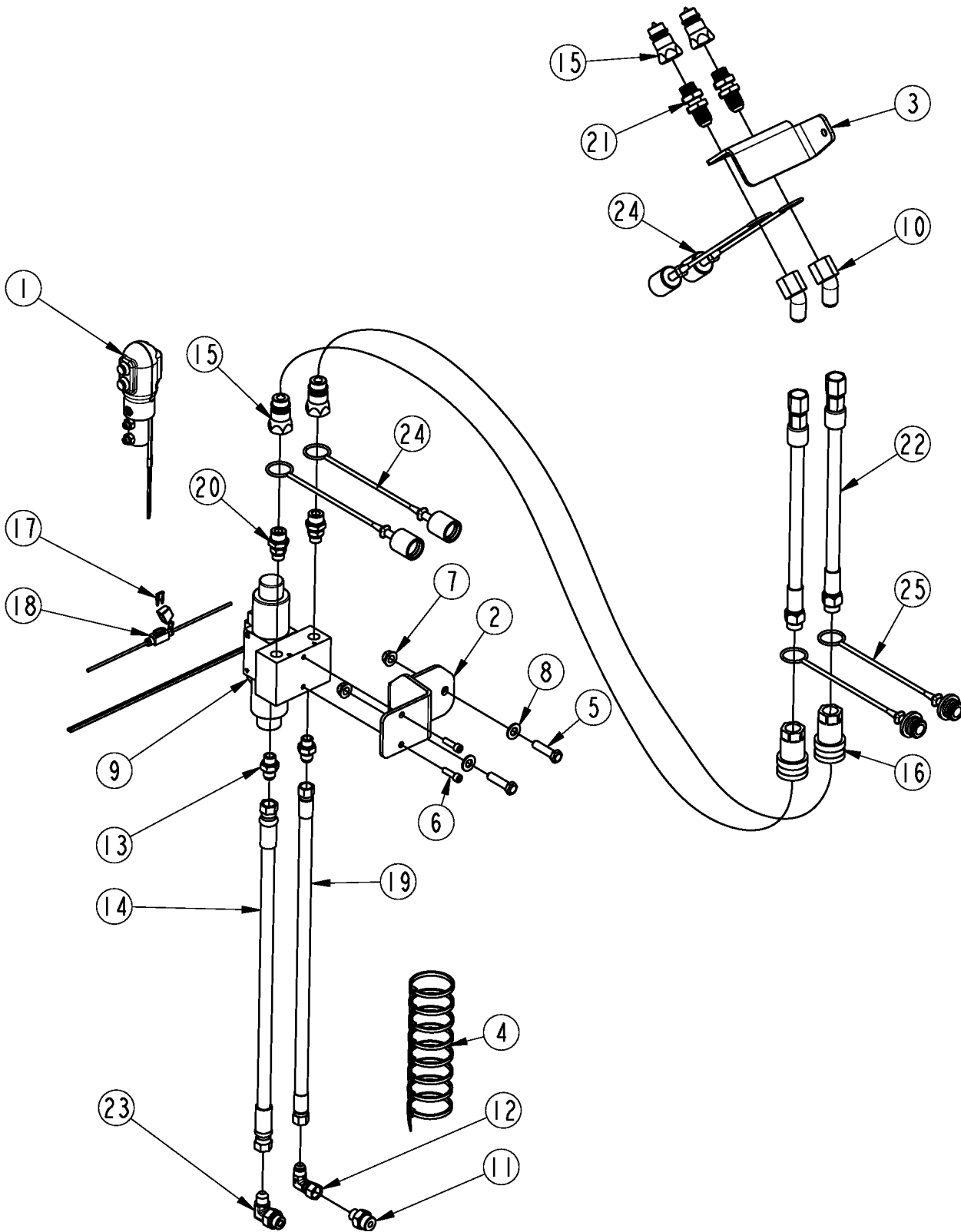


## **Third Function Valve Kit 380-152A for Kubota L2501 L3200 L3800 L3301 L3901 L4600 & L4701**

Applies to CB1060				
Ref	Part No.	Part Description	Comments	Revision
	Dwg 37198	Image No.		
	380-152A	VALVE KIT L3301 3RD FNCTION *		
1.	380-164D	PLATE, BLKHD MOUNT		
2.	380-165S	ASY, PUSH BUTTON CNTRL HNDL		
3.	380-234D	BRKT, VALVE MOUNT		
4.	380-255D	PLATE, BLKHD MOUNT		
5.	800-112C	CABLE TIE .19X7.25 1.75D 50LB		
6.	802-314C	HHCS M8X1.25X20 GR8.8		
7.	802-418C	HSHCS 1/4-20X7/8		
8.	802-967C	HHCS M8X1.25X35 GR8.8		
9.	803-198C	NUT HEX WHIZ 3/8-16 PLT		
10.	804-157C	WASHER SPRING LOCK M8 PLT		
11.	804-161C	WASHER FLAT M8 PLT		
12.	806-261C	U-BOLT 3/8-16X3X3 5/8 RND		
13.	810-926C	VALVE, THIRD FUNCTION		
14.	811-170C	AD 9/16MORB 9/16MJIC		
15.	811-394C	CP 3/4FORB MALE QD POPPET TYPE		
16.	811-870C	CP 3/4FORB QD FEMALE (POPPET)		
17.	833-495C	FUSE, 10 AMP MINI BLADE		
18.	833-650C	BLADE FUSE HOLDER, MINI		
19.	851-084C	AD 9/16MORB 3/4MORB		
20.	841-331C	HH3/8R2 035 3/4FJIC 9/16FJIC		
21.	851-490C	HH3/8R2 035 3/4FJIC90 9/16FJIC		
22.	811-701C	HH3/8R2 033 9/16FJIC		
23.	811-703C	HH3/8R2 068 9/16FJIC		
24.	811-169C	EL 9/16MJIC 9/16FJIC		
25.	851-349C	AD 9/16MJIC 3/8MBSPP		
26.	851-344C	AD 3/4MJIC 3/4MORB BLKHD W/ LN		
27.	851-376C	HH3/8R2 086 3/4FJIC 3/4MORB		
28.	851-974C	DUST CAP, 1/2" QD AG		
29.	851-975C	DUST PLUG, 1/2" QD AG		

**Third Function Valve Kit 380-168A for Kubota B3350 B2650 & LA534 LA534A**

Applies to CB1060



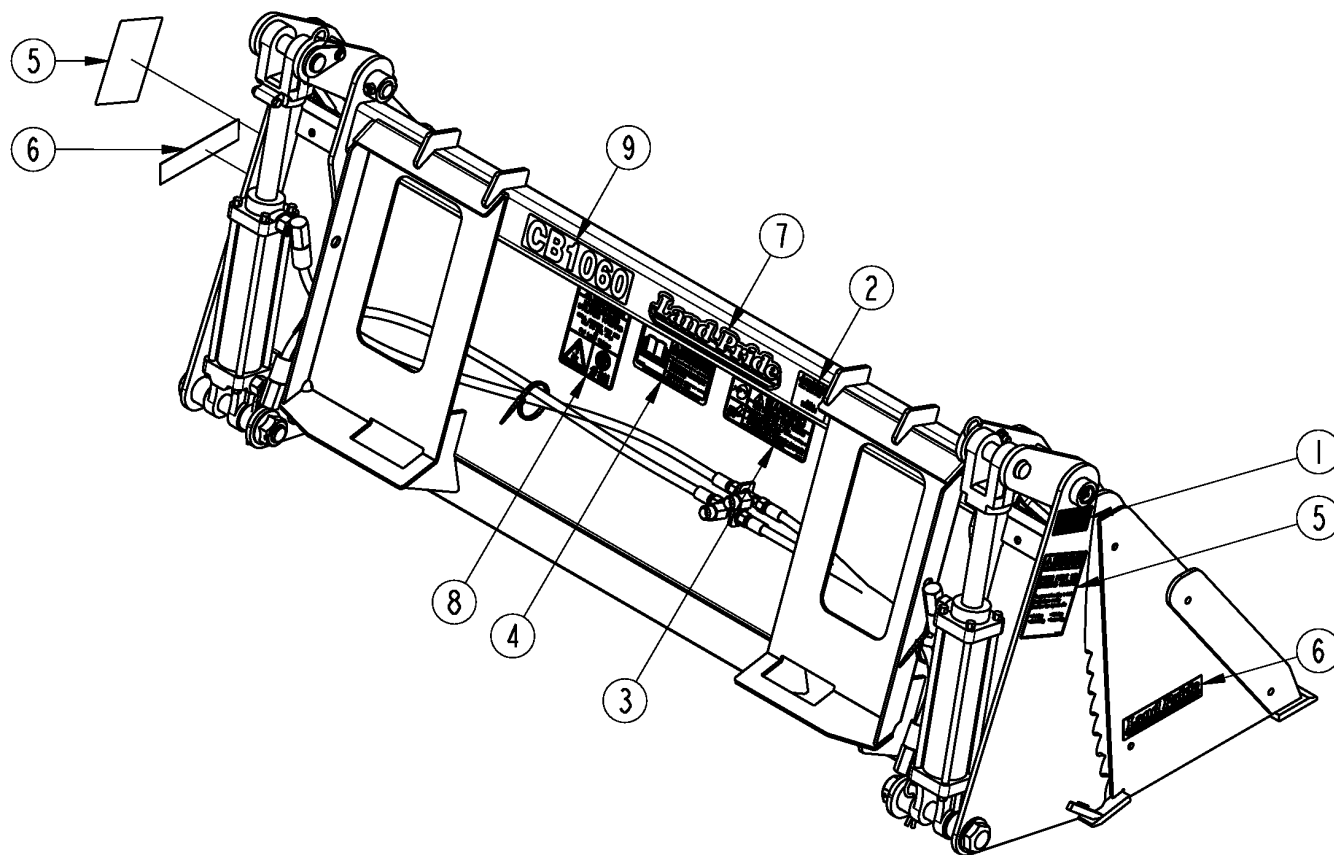
37632

**Third Function Valve Kit 380-168A for Kubota B3350 B2650 & LA534 LA534A****Applies to CB1060**

<b>Ref</b>	<b>Part No.</b>	<b>Part Description</b>	<b>Comments</b>	<b>Revision</b>
	Dwg 37632	Image No.		
	380-168A	VALVE KIT B3350 3RD FNCTION		
1.	380-165S	ASY, PUSH BUTTON CNTRL HNDL		
2.	380-256D	BRKT, VALVE MOUNT		
3.	380-257D	PLATE, BLKHD MOUNT		
4.	800-112C	CABLE TIE .19X7.25 1.75D 50LB		
5.	802-022C	HHCS 3/8-16X1 1/2 GR5		
6.	802-418C	HSHCS 1/4-20X7/8		
7.	803-209C	NUT FLANGE LOCK 3/8-16 PLT		
8.	804-012C	WASHER FLAT 3/8 SAE PLT		
9.	810-926C	VALVE, THIRD FUNCTION		
10.	811-040C	EL 45 3/4MJIC 3/4FJIC		
11.	811-133C	AD 9/16MJIC 3/4MORB		
12.	811-169C	EL 9/16MJIC 9/16FJIC		
13.	811-170C	AD 9/16MORB 9/16MJIC		
14.	811-253C	HH3/8R2 062 9/16FJIC		
15.	811-394C	CP 3/4FORB MALE QD POPPET TYPE		
16.	811-870C	CP 3/4FORB QD FEMALE (POPPET)		
17.	833-495C	FUSE, 10 AMP MINI BLADE		
18.	833-650C	BLADE FUSE HOLDER, MINI		
19.	841-563C	HH3/8R2 048 FJIC9/16FJIC9/16		
20.	851-084C	AD 9/16MORB 3/4MORB		
21.	851-344C	AD 3/4MJIC 3/4MORB BLKHD W/ LN		
22.	851-376C	HH3/8R2 086 3/4FJIC 3/4MORB		
23.	851-768C	EL 3/8MBSPP 9/16MJIC		
24.	851-974C	DUST CAP, 1/2" QD AG		
25.	851-975C	DUST PLUG, 1/2" QD AG		

# Decal Placement

Applies to CB1060



72048

## ***Decal Placement***

---

### **Applies to CB1060**

<b>Ref</b>	<b>Part No.</b>	<b>Part Description</b>	<b>Comments</b>	<b>Revision</b>
	dwg 72048	Image No.		
1.	818-190C	DECAL FLAG		
2.	819-036C	I.D. PLATE - LAND PRIDE		
3.	838-094C	DECAL WARNING HYD PRESS LONG		
4.	838-293C	DECAL WARNING READ MANUAL		
5.	838-378C	DECAL WARNING PINCH/CRUSH		
6.	838-967C	DECAL LANDPRIDE 6" BROWN/GOLD		
7.	848-159C	DECAL LANDPRIDE 10" BROWN/GOLD		
8.	858-237C	DECAL, DIG SAFE		
9.	858-916C	DECAL CB1060 GOLD		

## ***Land Pride Touch-up Paints***

---

Applies to CB1060

**No diagram associated with this Parts List**

**Land Pride Touch-up Paints****Applies to CB1060**

<b>Ref</b>	<b>Part No.</b>	<b>Part Description</b>	<b>Comments</b>	<b>Revision</b>
1.	821-011C	LP BEIGE SPRAY CAN	Spray can	
1.	821-011CTU	LP BEIGE TOUCH-UP 5OZ	Touch-up bottle with brush	
1.	821-011CQT	LP BEIGE QUART	Quart can	
1.	821-011CGL	LP BEIGE GALLON	Gallon can	
2.	821-070C	GLOSS BLACK SPRAY CAN	Spray can	
2.	821-070CTU	GLOSS BLACK TOUCH-UP 5OZ	Touch-up bottle with brush	
2.	821-070CQT	GLOSS BLACK QUART	Quart can	
2.	821-070CGL	GLOSS BLACK GALLON	Gallon can	
3.	821-054C	MED. RED SPRAY TRCK/CTR	Spray can	
3.	821-054CTU	MED RED TOUCH-UP 5OZ	Touch-up bottle with brush	
3.	821-054CQT	MED RED QUART	Quart can	
3.	821-054CGL	MED RED GALLON	Gallon can	
4.	821-058C	GREEN SPRAY CUTTERS	Spray can	
4.	821-058CTU	GREEN TOUCH-UP 5OZ	Touch-up bottle with brush	
4.	821-058CQT	GREEN QUART	Quart can	
4.	821-058CGL	GREEN GALLON	Gallon can	
5.	821-066C	ORANGE SPRAY CAN	Spray can	
5.	821-066CTU	ORANGE TOUCH-UP 5OZ	Touch-up bottle with brush	
5.	821-066CQT	ORANGE QUART	Quart can	
5.	821-066CGL	ORANGE GALLON	Gallon can	
6.	821-067C	BLUE SPRAY CAN	Spray can	
6.	821-067CTU	BLUE TOUCH-UP 5OZ	Touch-up bottle with brush	
6.	821-067CQT	BLUE QUART	Quart can	
6.	821-067CGL	BLUE GALLON	Gallon can	
7.	821-080C	PAINT ALUMINUM/ZINC SPRAY CAN	Spray can	
7.	821-080CTU	PAINT ALUMINUM/ZINC TOUCH UP	Touch-up bottle with brush	
7.	821-080CQT	PAINT ALUMINUM/ZINC QUART	Quart can	
7.	821-080CGL	PAINT ALUMINUM/ZINC GALLON	Gallon can	



# Part Number Index

The Part Number Index is a numeric index of all part numbers included in this manual. The index shows what page(s) the part is used on.

<b>Part Number</b>	<b>Page</b>	<b>Part Number</b>	<b>Page</b>
1M6006-ADI	11	821-058C	23
2M2312	11	821-058CGL	23
380-093A	15	821-058CQT	23
380-150A	13	821-058CTU	23
380-152A	17	821-066C	23
380-164D	15, 17	821-066CGL	23
380-165D	15	821-066CQT	23
380-165S	15, 17, 19	821-066CTU	23
380-168A	19	821-067C	23
380-234D	17	821-067CGL	23
380-255D	17	821-067CQT	23
380-256D	19	821-067CTU	23
380-257D	19	821-070C	23
381-168H82	7	821-070CGL	23
381-173H82	7	821-070CQT	23
381-177H	7	821-070CTU	23
3R0124	11	821-080C	23
4M2108	11	821-080CGL	23
5M2114	11	821-080CQT	23
6R0062	11	821-080CTU	23
7M2314	11	833-495C	15, 17, 19
800-001C	7	833-650C	15, 17, 19
800-112C	9, 17, 19	838-094C	21
802-022C	19	838-293C	21
802-023C	11	838-378C	21
802-079C	7	838-967C	21
802-143C	7	841-331C	17
802-314C	17	841-563C	15, 19
802-418C	15, 17, 19	842-216C	15
802-762C	7	848-159C	21
802-967C	17	851-084C	15, 17, 19
803-013C	7	851-087C	15
803-112C	15	851-088C	15
803-114C	11	851-090C	13
803-198C	15, 17	851-300C	9
803-209C	7, 19	851-344C	15, 17, 19
803-234C	11	851-349C	17
803-258C	7	851-376C	17, 19
804-012C	19	851-490C	17
804-024C	15	851-768C	19
804-029C	7	851-778C	9
804-157C	17	851-974C	15, 17, 19
804-161C	17	851-975C	15, 17, 19
805-004C	11	858-237C	21
805-088C	11	858-916C	21
805-591C	7	861-225C	9
806-261C	15, 17	861-226C	9
810-310C	11	Dwg 24812	11
810-601C	9, 11	Dwg 37013	15
810-926C	15, 17, 19	Dwg 37014	13
811-040C	19	Dwg 37198	17
811-133C	15, 19	Dwg 37632	19
811-150C	13	dwg 72041	7
811-169C	15, 17, 19	dwg 72048	21
811-170C	15, 17, 19	dwg 72049	9
811-253C	15, 19	N/A	11
811-394C	15, 17, 19		
811-701C	17		
811-703C	17		
811-870C	13, 15, 17, 19		
818-190C	21		
819-036C	21		
821-011C	23		
821-011CGL	23		
821-011CQT	23		
821-011CTU	23		
821-054C	23		
821-054CGL	23		
821-054CQT	23		
821-054CTU	23		



***This Page Intentionally Left Blank***



**KUBOTA TRACTOR CORPORATION**

1000 Kubota Drive, Grapevine, TX 76051

Telephone: (817) 756-1171

Western Division: 1175 S. Guild Ave., Lodi, CA 95240  
Telephone: (209) 334-9910

Central Division: 14855 FAA Blvd., Fort Worth, TX 76155  
Telephone: (817) 571-0900

Northern Division: 6300 at One Kubota Way, Groveport, OH 43125  
Telephone: (614) 835-1100

Southeast Division: 1025 Northbrook Parkway, Suwanee, GA 30024  
Telephone: (770) 995-8855

[www.kubota.com](http://www.kubota.com)

---