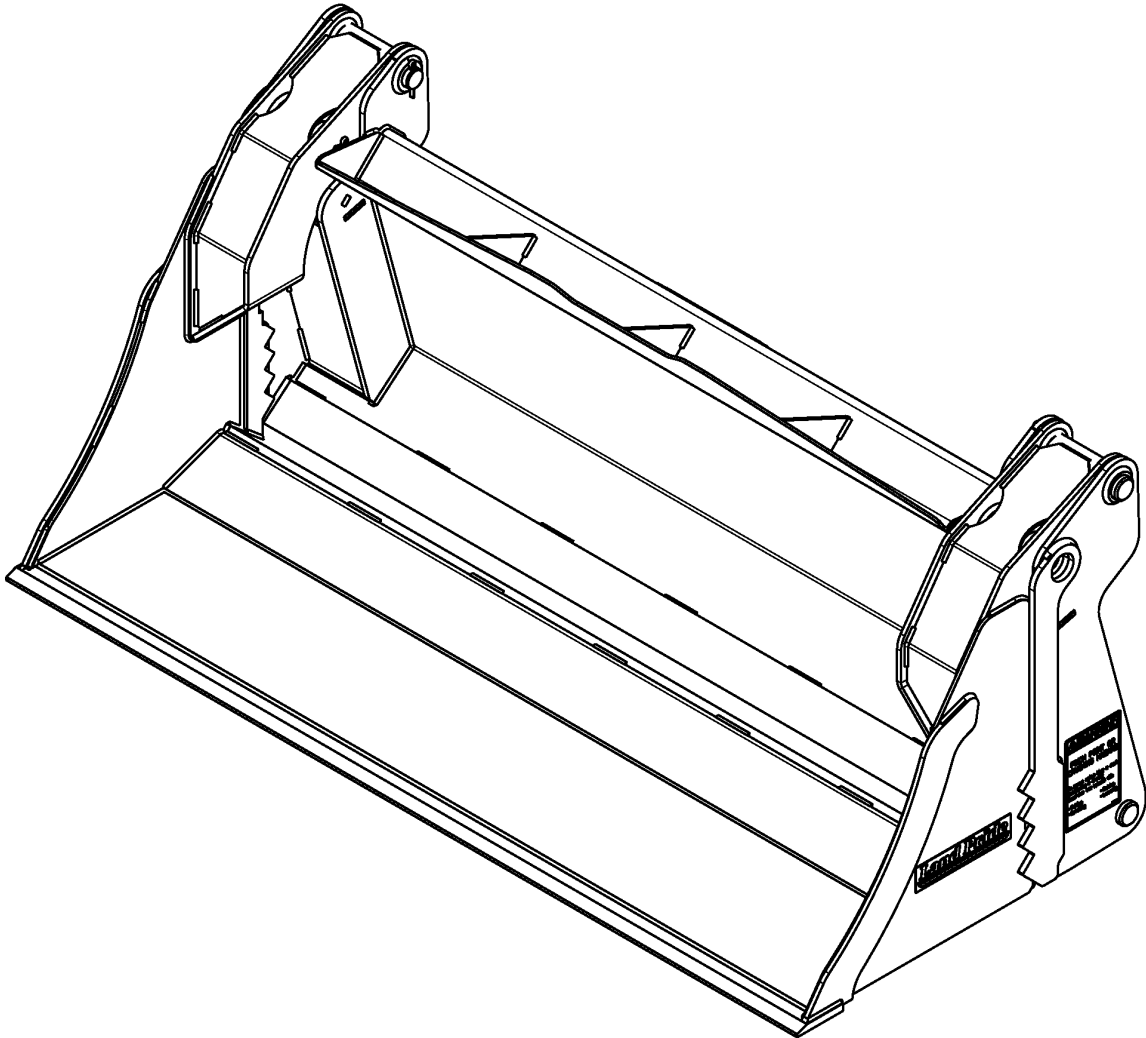


4-in-1 Combination Bucket

CB0550



39631

381-139P
Parts Manual



Read the Operator's Manual entirely. When you see this symbol, the subsequent instructions and warnings are serious - follow without exception. Your life and the lives of others depend on it!

© Copyright 2018 Printed 09/27/18

Cover photo may show optional equipment not supplied with standard unit.





Table of Contents

Section 1: Introduction.....	4
Using This Manual.....	4
Manual Replacement Information.....	4
Manual Revisions.....	4
Touch-up Paint.....	4
Hardware Legend.....	5
Replacement Hardware.....	5
Serial Numbers.....	5
Part Number Service Coding.....	5
Section 2: Main Assembly.....	6
Jaw & Base Assembly.....	6
Section 3: Hydraulics.....	8
Hydraulic Components.....	8
Section 4: Options & Accessories.....	10
BX Loader Attachment Pin Kit.....	10
BX80 Loader Arm Pin Kit.....	12
Kubota 3rd Function Hoses.....	14
Kubota 3rd Function Valve Couplers.....	16
Land Pride 3rd Function Hoses.....	18
Valve Kit BX60 & BX70 Third Function 380-137A.....	20
Valve Kit BX80 Third Function 380-289A.....	22
Section 5: Decals.....	24
Decals.....	24
Land Pride Touch-up Paints.....	26
Part Number Index.....	28

© Copyright 2018. All rights reserved.

Land Pride provides this publication “as is” without warranty of any kind, either expressed or implied. While every precaution has been taken in the preparation of this manual, Land Pride assumes no responsibility for errors or omissions. Neither is any liability assumed for damages resulting from the use of the information contained herein. Land Pride reserves the right to revise and improve its products as it sees fit. This publication describes the state of this product at the time of its publication, and may not reflect the product in the future. The illustrations in this manual are not intended for safe and proper assembly or disassembly of equipment. The illustrations are intended for ordering parts only.

Land Pride is registered trademark.

All other brands and product names are trademarks or registered trademarks of their respective holders.

Printed in the United States of America.



Alphabetized Table of Contents

B	
	BX Loader Attachment Pin Kit.....10
	BX80 Loader Arm Pin Kit.....12
D	
	Decals.....24
H	
	Hydraulic Components.....8
J	
	Jaw & Base Assembly.....6
K	
	Kubota 3rd Function Hoses.....14
	Kubota 3rd Function Valve Couplers.....16
L	
	Land Pride 3rd Function Hoses.....18
	Land Pride Touch-up Paints.....26
V	
	Valve Kit BX60 & BX70 Third Function 380-137A.....20
	Valve Kit BX80 Third Function 380-289A.....22

General Information

Using This Manual

This manual is divided into sections. The first section contains General Information. The remaining sections divide the machine into segments (i.e. Frames, Drives, Hydraulics, etc.) which illustrate and list all parts. A Parts Number Index is located at the back of the book.

The Land Pride parts in this manual are specially designed for this machine and should be replaced with Land Pride parts only.

The information in this manual is current at time of printing. Some parts may change to assure top performance.

Right-hand and left-hand as used in this manual are determined by facing the direction the machine will travel while in use.

Below is an example of two facing pages from a parts manual. Familiarize yourself with the type of information contained on these pages.

Manual Replacement Information

Replacement manuals are available. Refer to our website at www.landpride.com or e-mail us at lit@landpride.com for additional information. Our website continues to provide the most up-to-date manuals available.

Touch-up Paint

Repaint parts where paint is worn or scratched to prevent rust. Aerosol cans and touch-up bottles with brush applicator are available through your local dealer. Also available are quart and gallon size paints. Add QT or GL to end of the Aerosol P/N.

Land Pride color descriptions and part numbers are listed on the "Land Pride Touch-up Paints" page in the "Decals" section of this book. Color options vary by product.



General Information

Hardware Legend

AR	As Required
BLADE	Blade Bolt
C	Cap Screw
CP	Cotter Pin
CPHSSS	Cup Point Hex Socket Set Screw
CPSHSS	Cup Point Square Head Set Screw
CPSQHSS	Cup Point Square Head Set Screw
CRFCHMS3	Cross Recess Flat Countersunk Head Machine Screw
CRPHMS	Cross Recess Pan Head Machine Screw
CRPHTF	Cross Recess Pan Head Thread Forming
CRRHMS	Cross Recess Round Head Machine Screw
CRTHMS	Cross Recess Truss Head Machine Screw
CSNB	Countersunk Square Neck Bolt
FHMS	Flat Head Machine Screw
FTC	Full Thread Cap Screw
H	Hex Nut
HCLN	Hex Center Lock Nut
HFLCS	Hex Flange Lock Cap Screw
HFS	Hex Flange Screw
HFSLN	Hex Flange Serrated Lock Nut
HFSS	Hex Flange Serrated Screw
HHCS	Hex Head Cap Screw or Metric Bolt
HSBHCS	Hex Socket Button Head Cap Screw
HSFCHCS	Hex Socket Flat Countersunk Head Cap Screw
HSHCS	Hex Socket Head Cap Screw
HSSS	Hex Socket Head Screw
HTLN	Hex Top Lock Nut
HWHCS	Hex Washer Head Cap Screw

HWHMS	Hex Washer Head Machine Screw
HXBHCS	Hex Socket Button Head Cap Screw
J	Hex Jam Nut
JIC	37 Degree Tapered Thread
L	Helical Spring Lock Washer
LUG	Lug Bolt
NFC	National Fine Cap Screw
NPSM	National Pipe Straight Mechanical
NPTF	National Pipe Taper Fuel
P	Wide Plain Washer
PHMS	Pan Head Machine Screw
PLOW	Plow Bolt
RHMS	Round Head Machine Screw
RHSNB	Round Head Square Neck Bolt
SCREW LEVELING	Leveling Screw
SCREW THUMB	Thumb Screw
SCREW WELD	Weld Screw
SFCHMS	Slotted Flat Countersunk Head Machine Screw
SFHMS	Slotted Fillister Head Machine Screw
SP	Special
SP SCREW	Special Screw
SQHSS	Square Head Set Screw
SRHMS	Slotted Round Head Machine Screw
SSS	Socket Set Screw
STCS	Self Tapping Cap Screw
STHMS	Slotted Truss Head Machine Screw
WHEEL	Wheel Studs and Hub Long Bolts
WING	Wing Bolt

Replacement Hardware

The **Hardware Legend** above lists hardware abbreviations used in the parts list. All bolts and nuts are Grade 5 unless otherwise noted. The use of improper grades of hardware can result in personal injury, damage to equipment, or loss of property.

Colored Replacement Parts

Land Pride offers replacement parts in factory standard colors and also on select models in Green, Orange, Red and Blue. Because of the variety of colors available, special attention must be given to the part number to prevent ordering the wrong replacement part.

A suffix number corresponding to one of the colors below must be added at the end of Land Pride's part number when ordering a replacement part with that color.

81 Green 83 Red
82 Orange 84 Blue

For example, if you are ordering a replacement part with part number 555-555C and the part you need is red, then add the suffix 83 to the end of the number to make the part number read 555-555C83. Parts ordered without a suffix number will be supplied in factory standard colors.

Black Replacement Parts

Some parts are factory standard black and some must be special ordered black. If your part is special ordered black, a second part number with the additional suffix number 85 on the end will be available. In this situation you must order that part with the suffix number for it to be black. Parts that are factory standard black will not have the suffix number.

Part Number Service Coding

Within the parts list some part numbers are coded for revisions and interchangeability. See notations in revision column.

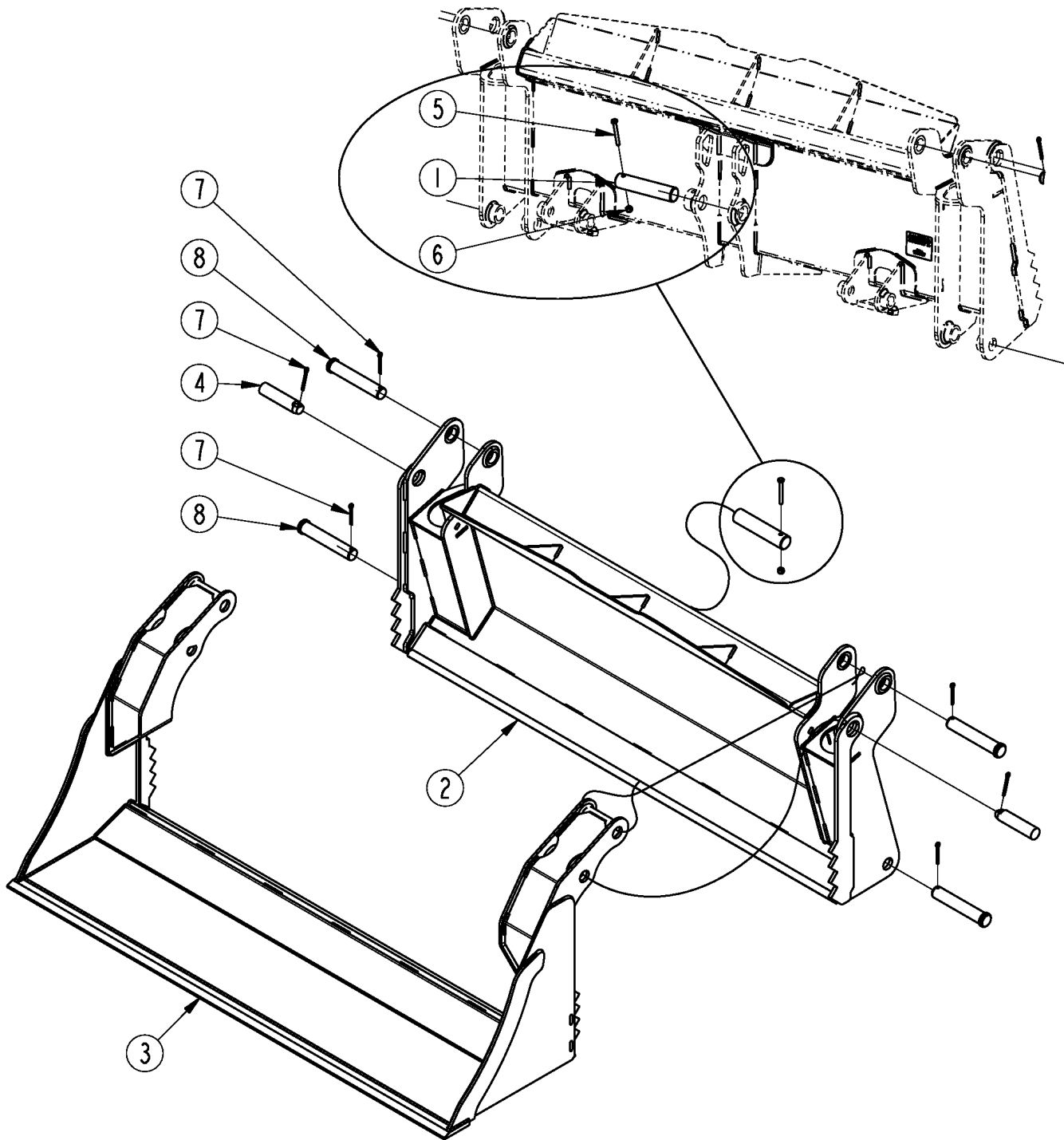
Serial Numbers

Always use the serial and model number when ordering parts. Refer to the Operator's Manual for serial number plate location.

- (S/N 20001+) Includes serial numbers 20001 and above (to the latest number)
- (S/N 10001 to 20000) Includes serial numbers between and including 10001 and 20000
- (S/N 10000-) Includes serial numbers 10000 and below (to the earliest number)

Jaw & Base Assembly

Applies to CB0550



39633

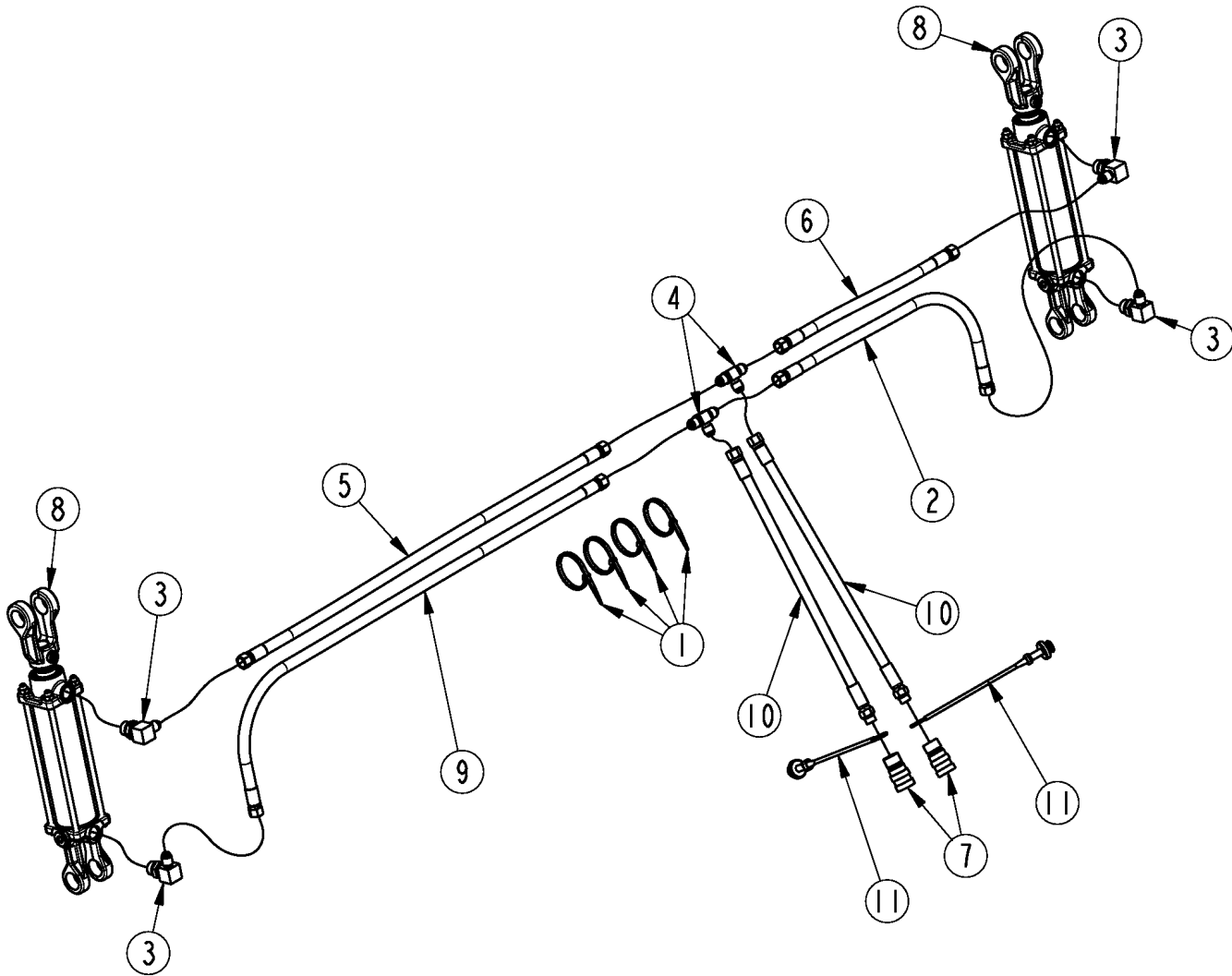
Jaw & Base Assembly

Applies to CB0550

Ref	Part No.	Part Description	Comments	Revision
	Dwg 39633	Image No.		
1.	380-222D	PIN, CTR PIVOT		
2.	381-132H	WMT, 50 4N1 BASE		
3.	381-134H	WMT, 50 4N1 JAW W/O TEETH		
4.	381-142D	PIVOT PIN 1.0X4.19		
5.	802-551C	HHCS 1/4-20X2 1/4 GR5		
6.	803-255C	NUT HEX NYLOCK 1/4-20		
7.	805-104C	PIN COTTER 3/16 X 1 1/2 PLT		
8.	805-527C	PIN CLVS 1.0X5.19 USBL GR5		

Hydraulic Components

Applies to CB0550



39634

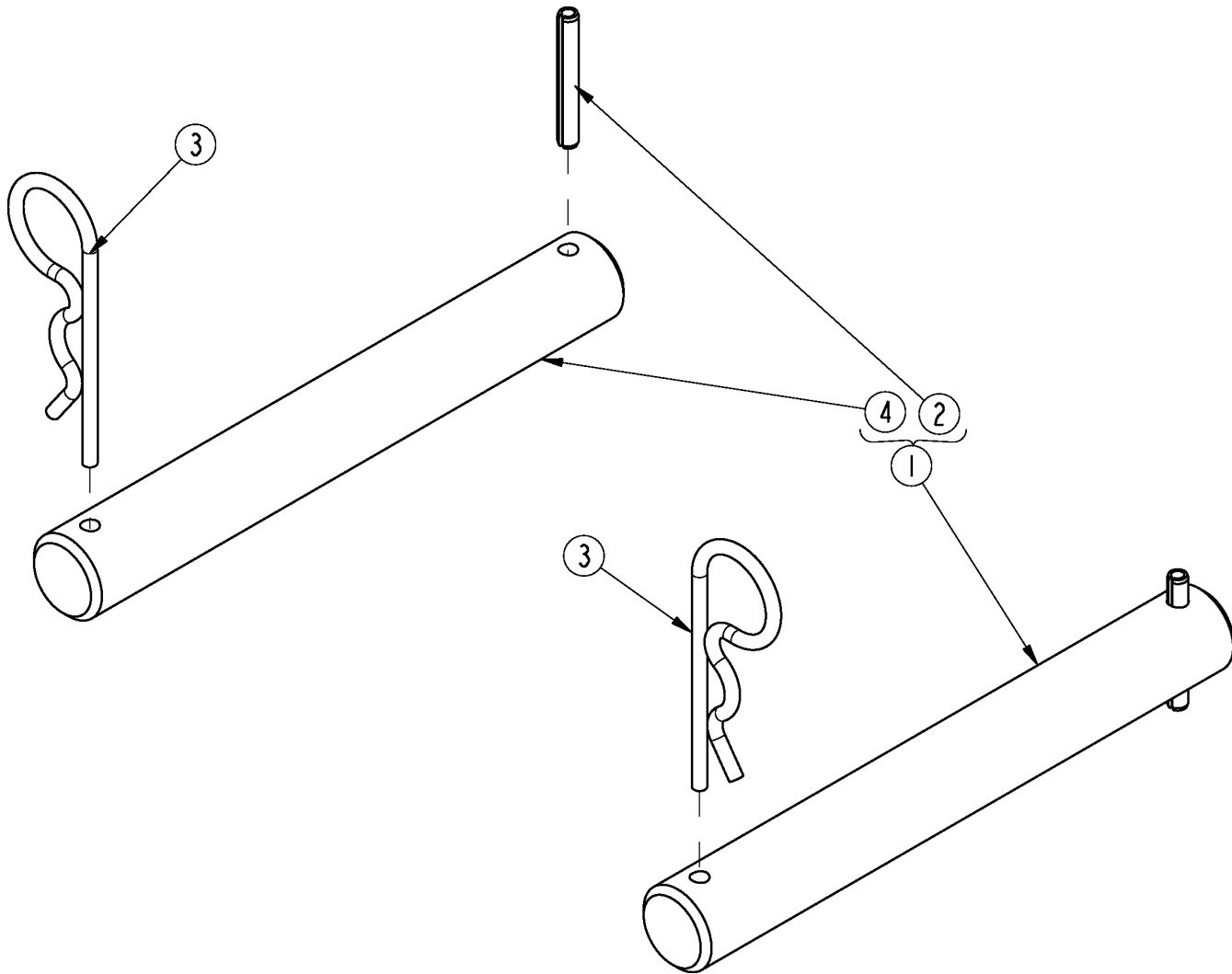
Hydraulic Components

Applies to CB0550

Ref	Part No.	Part Description	Comments	Revision
	Dwg 39634	Image No.		
1.	800-112C	CABLE TIE .19X7.25 1.75D 50LB		
2.	811-057C	HH1/4R2 020 9/16FJIC		
3.	811-171C	EL 3/4MORB 9/16MJIC		
4.	811-312C	TE 9/16MJIC		
5.	811-442C	HH1/4R2 028 9/16FJIC		
6.	811-569C	HH1/4R2 014 9/16FJIC		
7.	841-466C	CP 9/16FORB QD 1/4BODY FEMALE		
8.	850-042C	CYL 2X6X1.125 ROD (TIE ROD)		
9.	851-055C	HH1/4R2 035 9/16FJIC		
10.	851-205C	HH1/4R2 034 9/16FJIC 9/16MORB		
11.	851-977C	DUST PLUG, 1/4" QD AG		

BX Loader Attachment Pin Kit

Applies to CB0550



35845

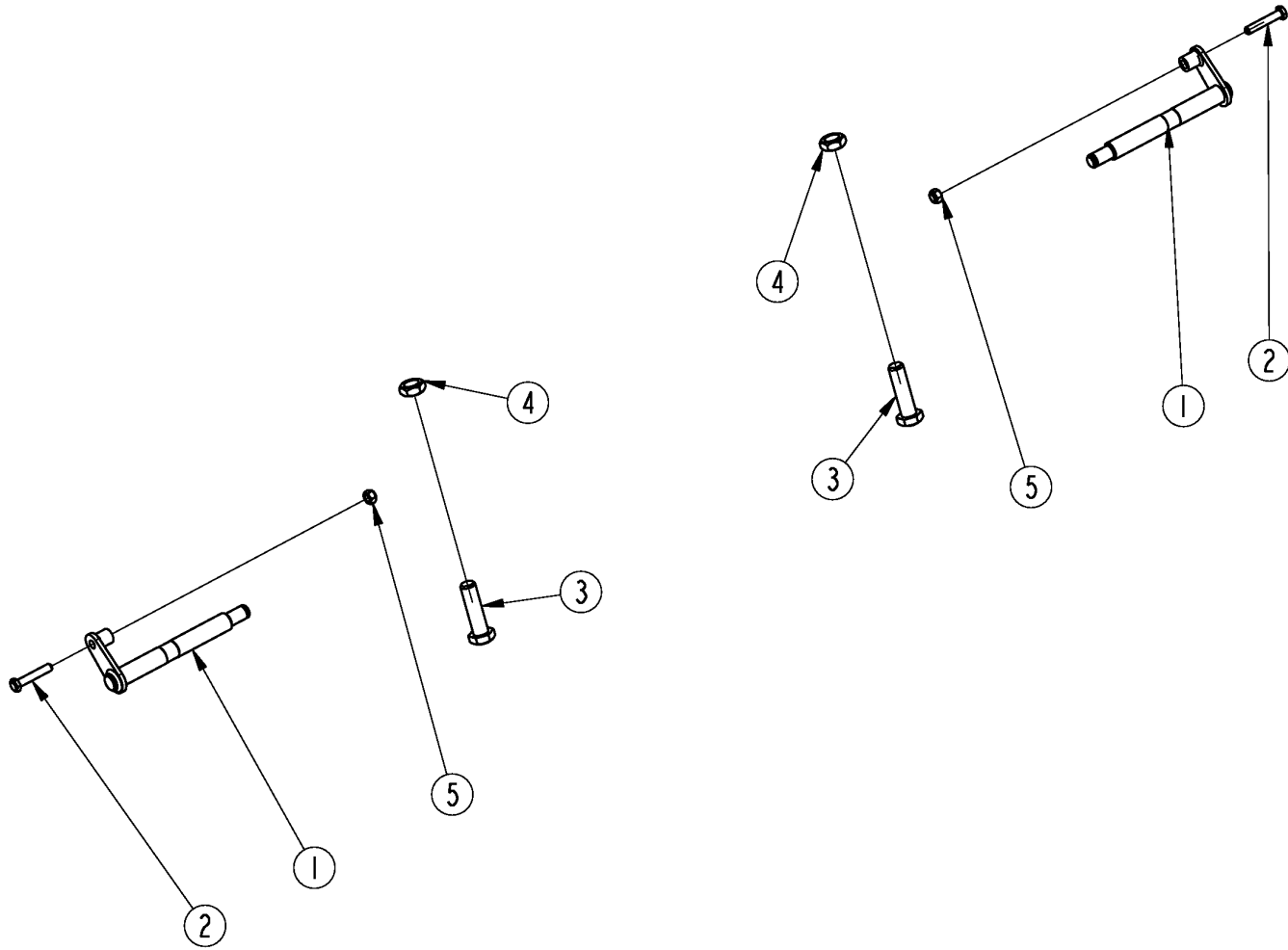
BX Loader Attachment Pin Kit

Applies to CB0550

Ref	Part No.	Part Description	Comments	Revision
	Dwg 35845 380-146A	Drawing Image Number KIT, BX LOADER DIRECT PIN *		
1.	321-036S	PIN 3/4 OD X 5 1/8 USABLE ASSY		
2.	805-068C	PIN ROLL 5/32 X 1 1/4		
3.	805-143C	PIN HAIR COTTER .120 PLT		
4.	805-300C	PIN CLVS HDLS .75X5.13 USBL		

BX80 Loader Arm Pin Kit

Applies to CB0550



70142

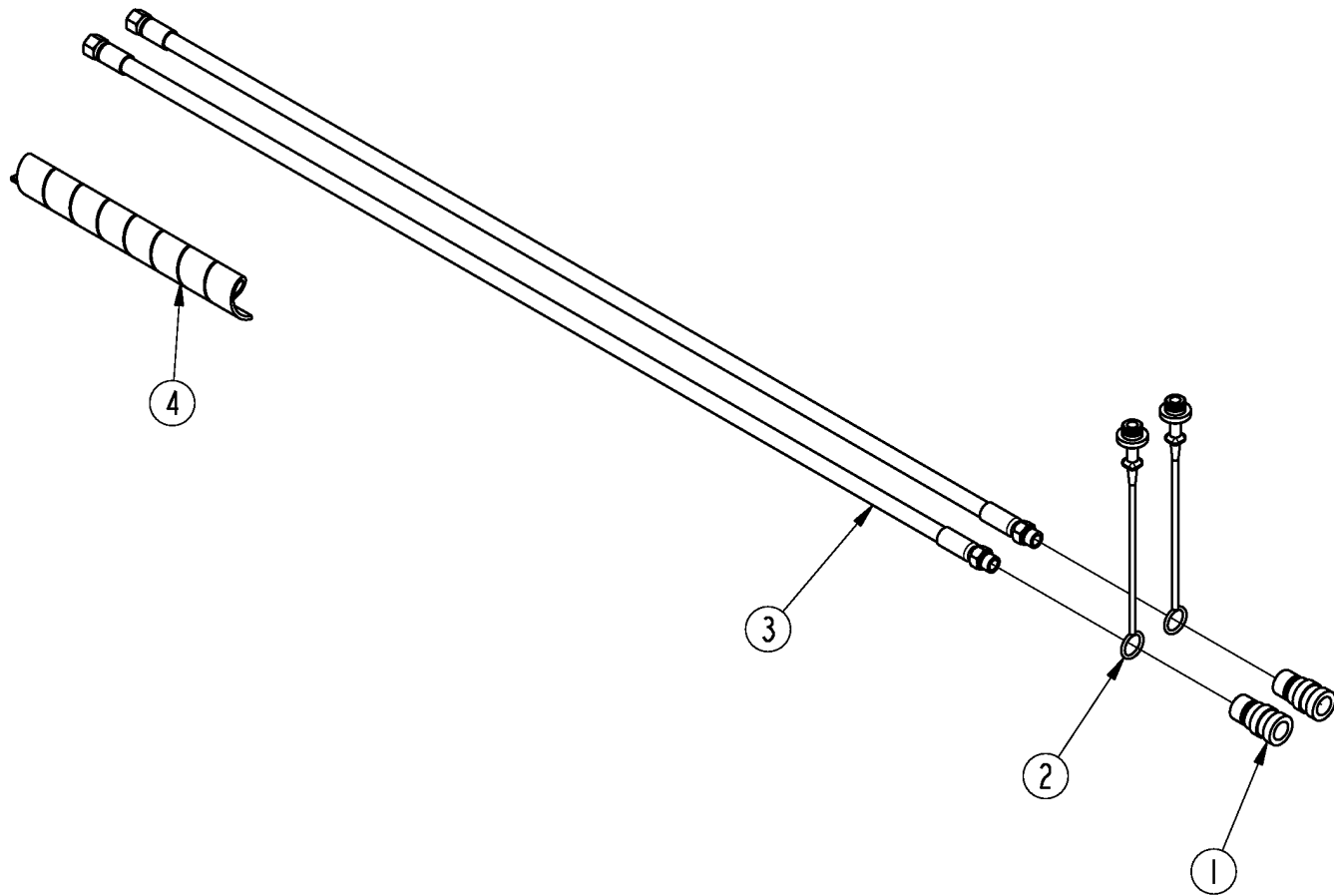
BX80 Loader Arm Pin Kit

Applies to CB0550

Ref	Part No.	Part Description	Comments	Revision
	Dwg 70142 380-296A	Drawing Image Number BX80 LOADER ARM PIN ON KIT *	S/N _____+	
1.	380-294H	BX LOADER ARM PIN		
2.	802-013C	HHCS 5/16-18X1 3/4 GR5		
3.	802-057C	HHCS 5/8-11X2 1/4 GR5		
4.	803-023C	NUT HEX JAM 5/8-11 PLT		
5.	803-084C	NUT HEX NYLOCK 5/16-18 PLT		

Kubota 3rd Function Hoses

Applies to CB0550



70178

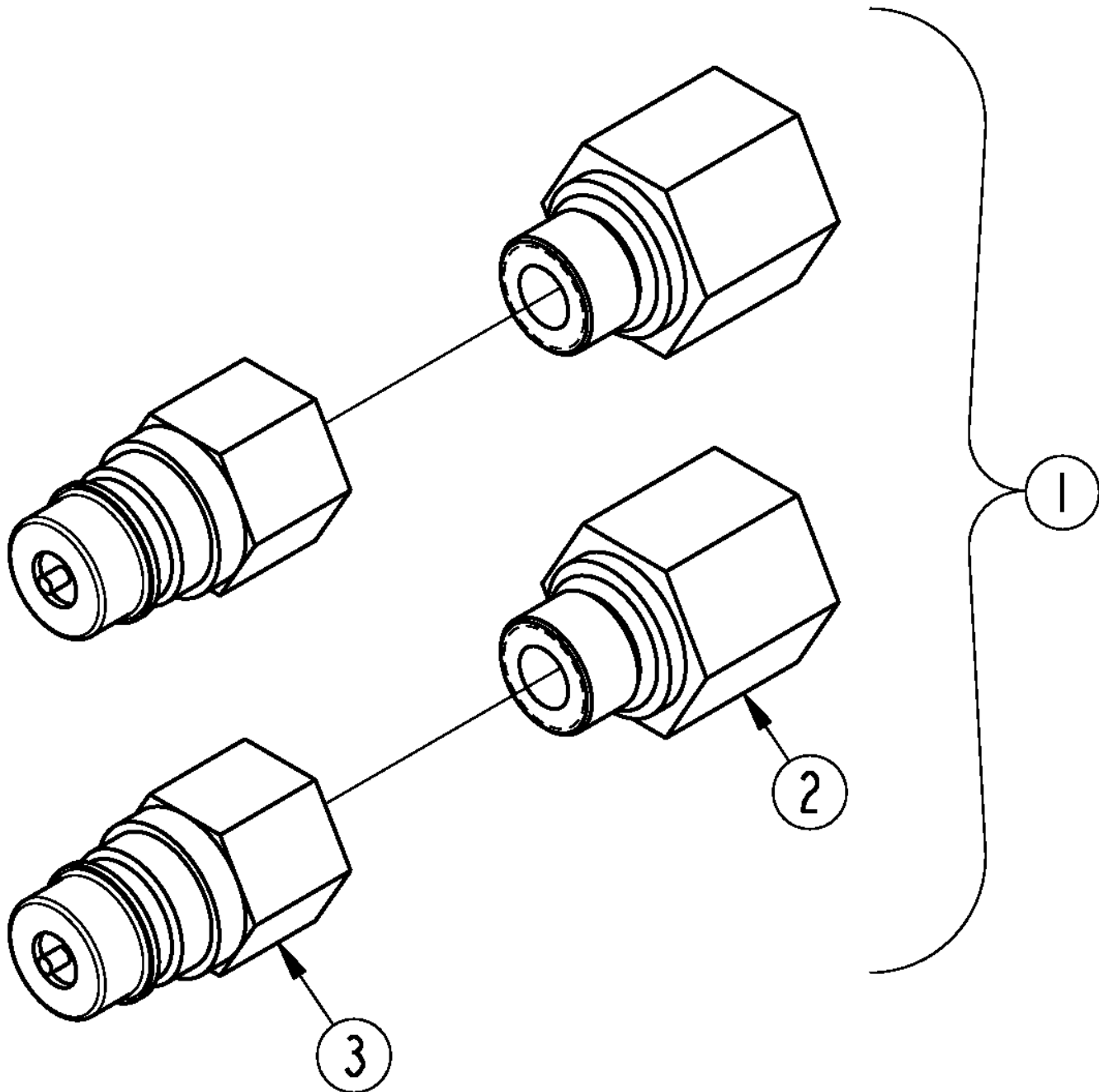
Kubota 3rd Function Hoses

Applies to CB0550

Ref	Part No.	Part Description	Comments	Revision
	Dwg 70178 380-298A	Drawing Image Number KUBOTA 3RD FUNCTION HOSES *	S/N _____+	
1.	841-466C	CP 9/16FORB QD 1/4BODY FEMALE		
2.	851-977C	DUST PLUG, 1/4" QD AG		
3.	861-088C	HH1/4R2 42 9/16FJIC 9/16MORB		
4.	990-228R	SPIRAL HOSE WRAP 1 ID PLASTIC		

Kubota 3rd Function Valve Couplers

Applies to CB0550



70026

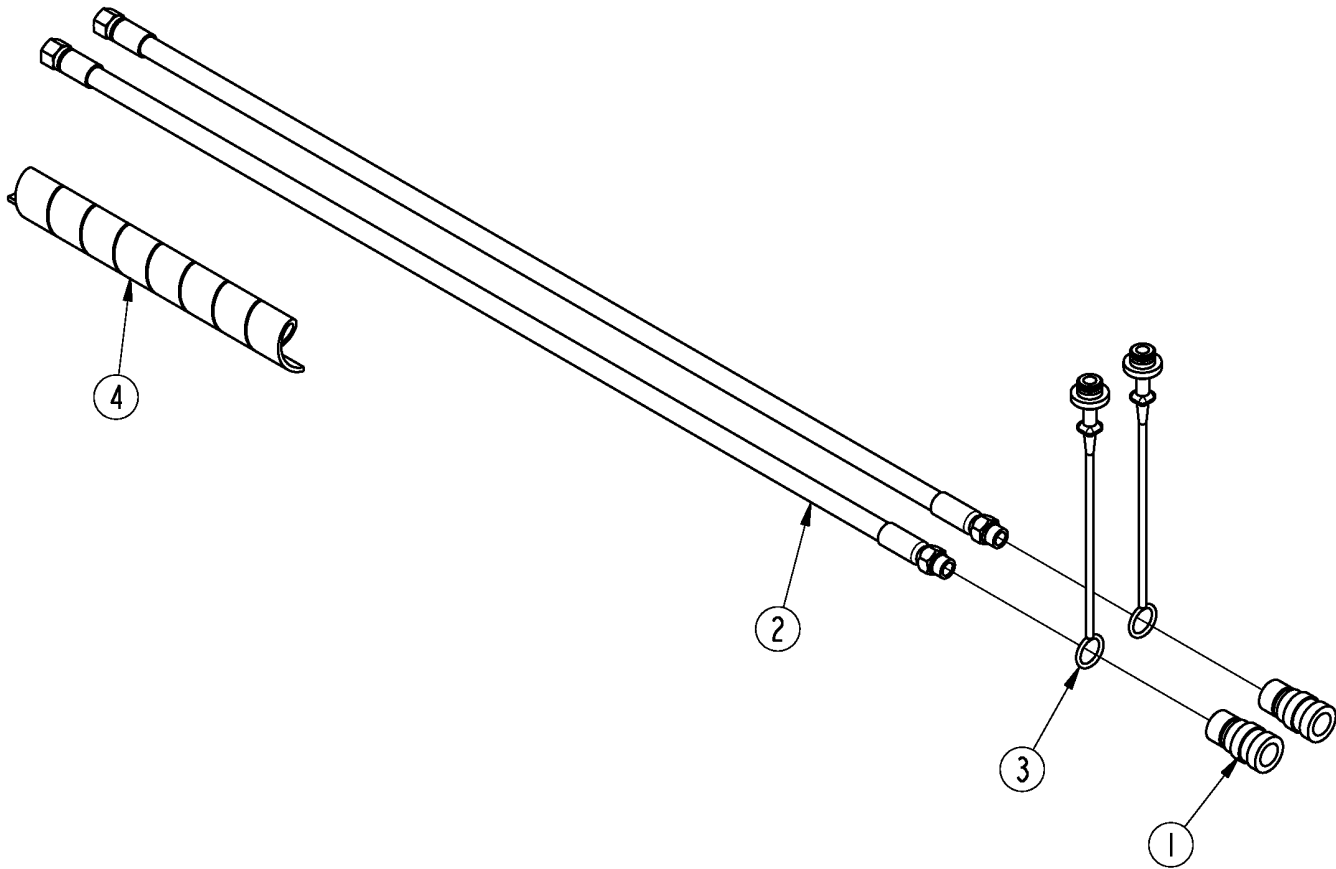
Kubota 3rd Function Valve Couplers

Applies to CB0550

Ref	Part No.	Part Description	Comments	Revision
	Dwg 70026	Drawing Image Number		
1.	380-281A	KUBOTA 3RD FUNCT VALVE CPLRS	S/N _____ +	
2.	811-801C	ADAPTER 9/16MORB 3/8FNPT		
3.	841-467C	CP 9/16 FORB QD 1/4 BODY MALE		

Land Pride 3rd Function Hoses

Applies to CB0550



70177

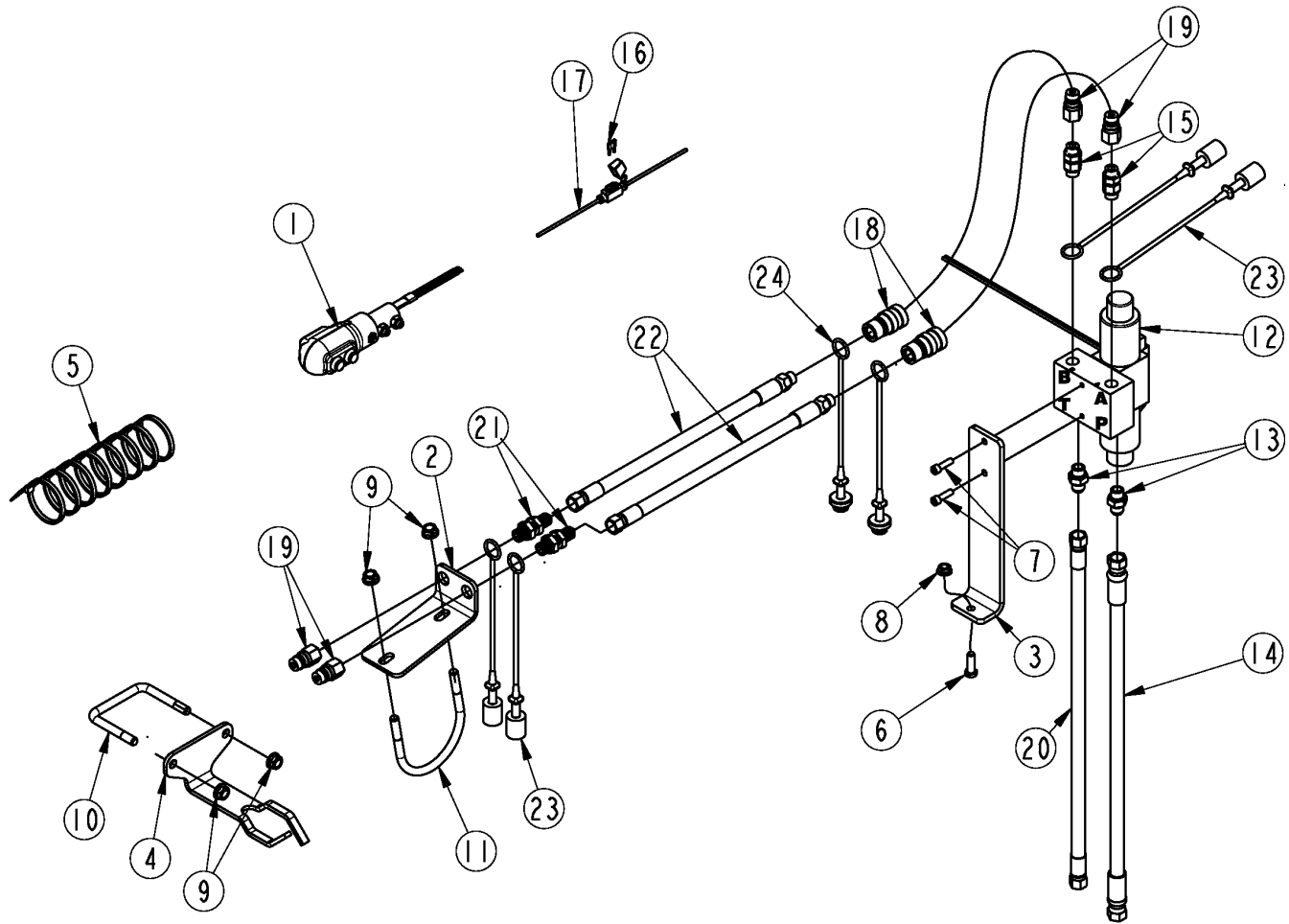
Land Pride 3rd Function Hoses

Applies to CB0550

Ref	Part No.	Part Description	Comments	Revision
	Dwg 70177 380-297A	Drawing Image Number LAND PRIDE 3RD FUNCTION HOSES *	S/N _____+	
1.	841-466C	CP 9/16FORB QD 1/4BODY FEMALE		
2.	851-205C	HH1/4R2 034 9/16FJIC 9/16MORB		
3.	851-977C	DUST PLUG, 1/4" QD AG		
4.	990-228R	SPIRAL HOSE WRAP 1 ID PLASTIC		

Valve Kit BX60 & BX70 Third Function 380-137A

Applies to CB0550

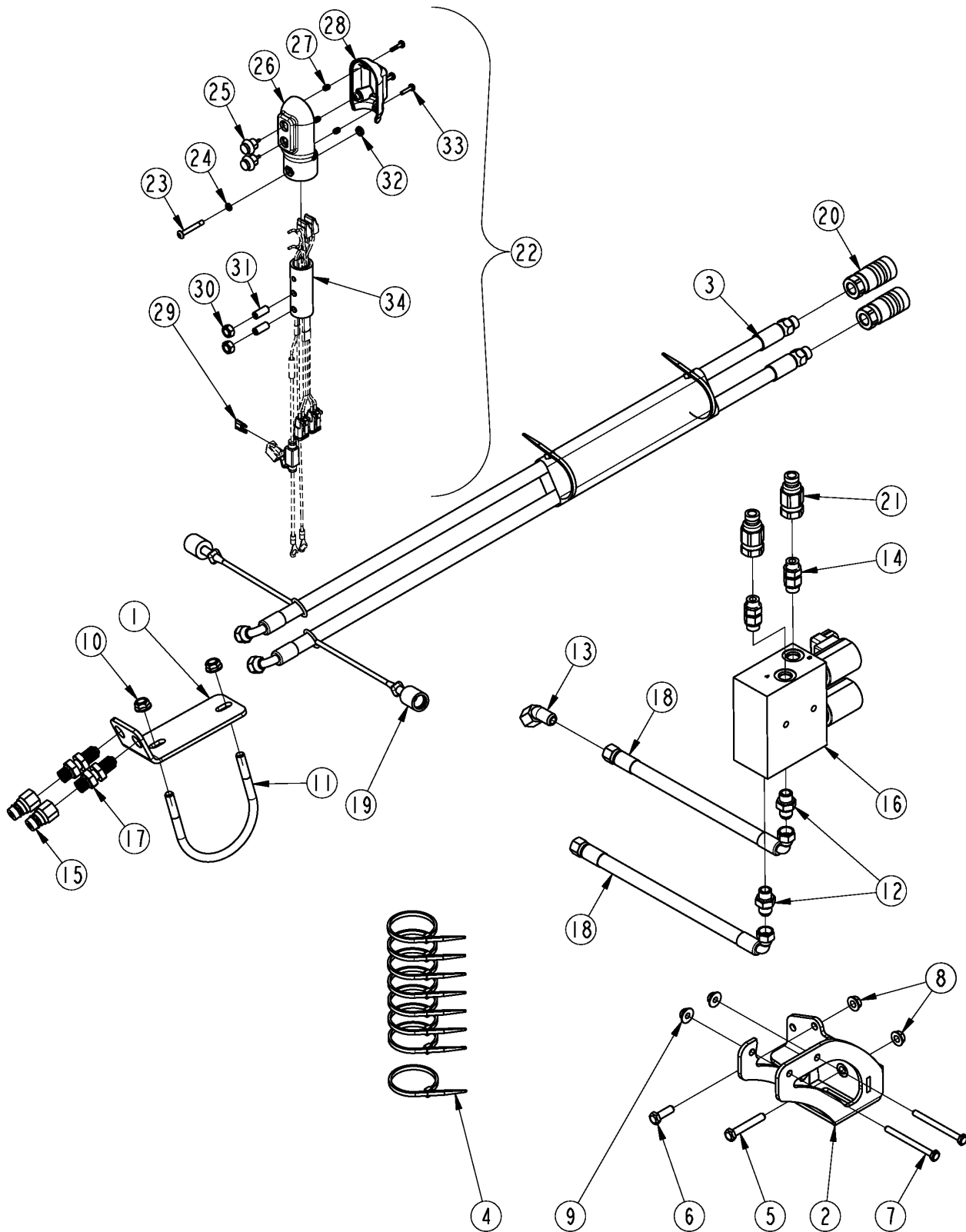


Valve Kit BX60 & BX70 Third Function 380-137A**Applies to CB0550**

Ref	Part No.	Part Description	Comments	Revision
	Dwg35841 380-137A	Drawing Image Number VALVE KIT BX 3RD FUNCTION *	For 60 and 70 series BX tractors only	
1.	380-165S	ASY, PUSH BUTTON CNTRL HNDL		
2.	380-223D	PLATE, BX BLKHD MOUNT		
3.	380-224D	PLATE, BX VALVE MOUNT		
4.	380-226D	BRKT, HOSE HOLDER		
5.	800-112C	CABLE TIE .19X7.25 1.75D 50LB		
6.	802-159C	HHCS 5/16-18X1 GR5		
7.	802-418C	HSHCS 1/4-20X7/8		
8.	803-043C	NUT HEX WHIZ 5/16-18 PLT		
9.	803-198C	NUT HEX WHIZ 3/8-16 PLT		
10.	806-132C	U-BOLT 3/8-16 X 3 1/32 X 2 3/4		
11.	806-256C	U-BOLT 3/8-16X3 1/2X4 1/8 RND		
12.	810-926C	VALVE, THIRD FUNCTION		
13.	811-170C	AD 9/16MORB 9/16MJIC		
14.	811-253C	HH3/8R2 062 9/16FJIC		
15.	811-636C	AD 9/16MORB STRAIGHT UNION		
16.	833-495C	FUSE, 10 AMP MINI BLADE		
17.	833-650C	BLADE FUSE HOLDER, MINI		
18.	841-466C	CP 9/16FORB QD 1/4BODY FEMALE		
19.	841-467C	CP 9/16 FORB QD 1/4 BODY MALE		
20.	841-563C	HH3/8R2 048 FJIC9/16FJIC9/16		
21.	851-276C	AD 9/16MJIC9/16MORB BLKHD W/LN		
22.	851-277C	HH1/4R2 054 9/16MORB 9/16FJIC		
23.	851-976C	DUST CAP, 1/4" QD AG		
24.	851-977C	DUST PLUG, 1/4" QD AG		

Valve Kit BX80 Third Function 380-289A

Applies to CB0550



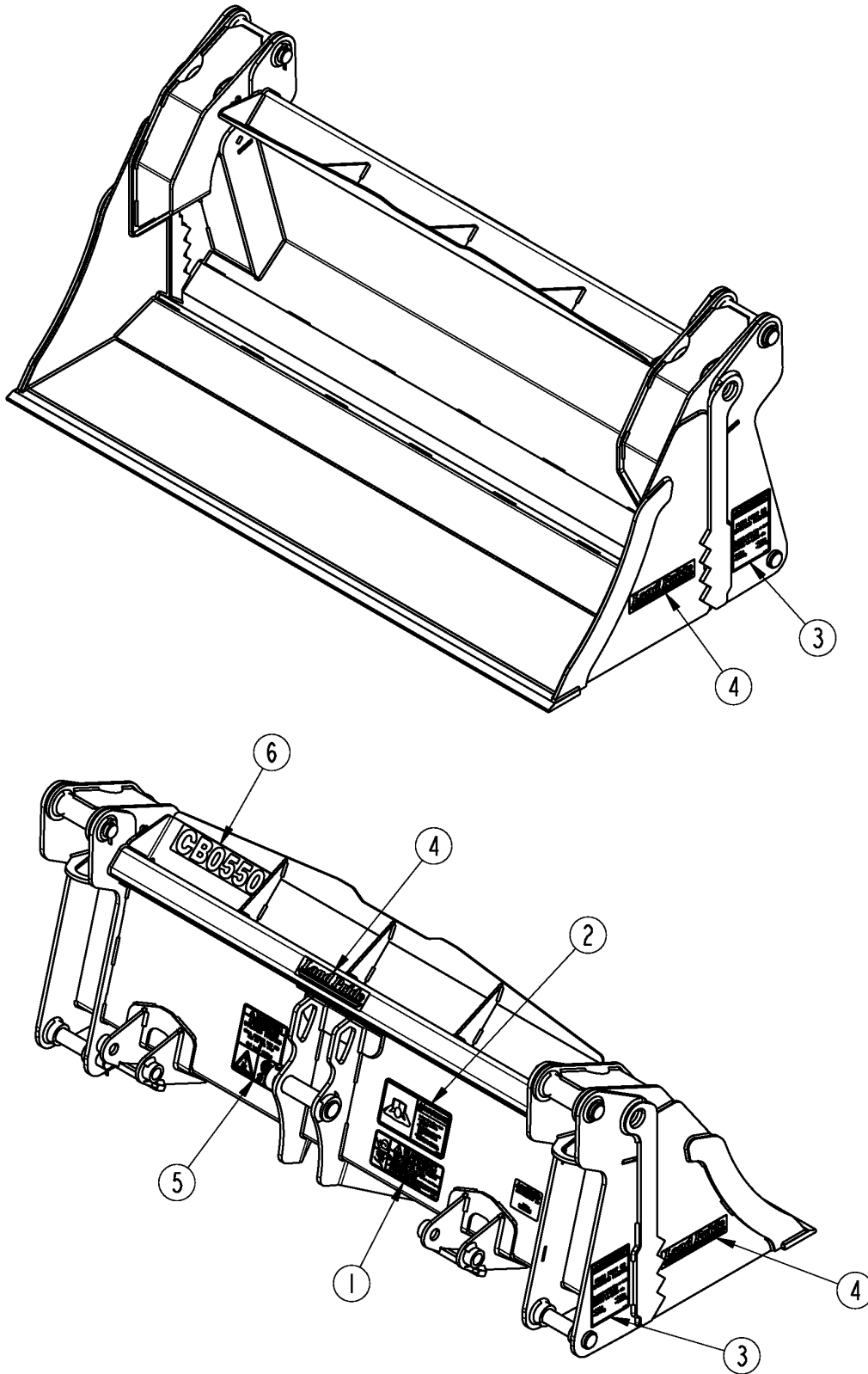
70903

Valve Kit BX80 Third Function 380-289A**Applies to CB0550**

Ref	Part No.	Part Description	Comments	Revision
	dwg 70903	Drawing Image Number		
	380-289A	VALVE KIT BX80 3RD FNCTION		
1.	380-223D	PLATE, BX BLKHD MOUNT		
2.	380-303H	MNT BKT, BX80 3RD VALVE		
3.	381-170L	ASY, BX80 3RD VLV LOADER HOSE		
4.	800-112C	CABLE TIE .19X7.25 1.75D 50LB		
5.	802-115C	HHCS 5/16-18X2 GR5		
6.	802-159C	HHCS 5/16-18X1 GR5		
7.	802-274C	HHCS 1/4-20X3 GR5		
8.	803-043C	NUT HEX WHIZ 5/16-18 PLT		
9.	803-088C	NUT HEX LOCK 1/4-20 FLG		
10.	803-198C	NUT HEX WHIZ 3/8-16 PLT		
11.	806-256C	U-BOLT 3/8-16X3 1/2X4 1/8 RND		
12.	811-170C	AD 9/16MORB 9/16MJIC		
13.	811-397C	EL 45 9/16MJIC 9/16FJIC		
14.	811-636C	AD 9/16MORB STRAIGHT UNION		
15.	841-467C	CP 9/16 FORB QD 1/4 BODY MALE		
16.	850-313C	VALVE, THIRD FUNCTION (DELTA)		
17.	851-276C	AD 9/16MJIC9/16MORB BLKHD W/LN		
18.	851-959C	HH1/4R2 58 9/16FJIC 9/16FJIC90		
19.	851-976C	DUST CAP, 1/4" QD AG		
20.	861-287C	CP 9/16FORB QD 1/4 BODY FEMALE		
21.	861-288C	CP 9/16FORB QD 1/4 BODY MALE		
22.	380-302S	ASY, PUSH BUTTON CNTRL HNDL		
23.	801-250C	HSBHCS #10-32X1 3/8		
24.	804-054C	WASHER LOCK #10		
25.	833-739C	SWITCH, P9 PB NO SPST MOM RED		
26.	837-054C	BASE, PUSH BUTTON CNTRL HNDL		
27.	99362A300	6-32 BRASS TAPPING INSERT		
28.	837-053C	COVER, PUSH BUTTON CNTRL HNDL		
29.	833-495C	FUSE, 10 AMP MINI BLADE		
30.	803-008C	NUT HEX 5/16-18 PLT		
31.	801-204C	SCREW SET SCKT HD 5/16-18X3/4		
32.	803-269C	NUT HEX 10-32 PLT		
33.	801-091C	CRPHMS 6-32X5/8 SS		
34.	380-225D	MOUNT TUBE, CONTROL STICK		

Decals

Applies to CB0550



39635

Decals

Applies to CB0550

Ref	Part No.	Part Description	Comments	Revision
	Dwg 39635	Image No.		
1.	838-094C	DECAL WARNING HYD PRESS LONG		
2.	838-293C	DECAL WARNING READ MANUAL		
3.	838-378C	DECAL WARNING PINCH/CRUSH		
4.	838-967C	DECAL LANDPRIDE 6" BROWN/GOLD		
5.	858-237C	DECAL, DIG SAFE		
6.	858-563C	DECAL CB0550 GOLD		

Land Pride Touch-up Paints

Applies to CB0550

No diagram associated with this Parts List

Land Pride Touch-up Paints**Applies to CB0550**

Ref	Part No.	Part Description	Comments	Revision
1.	821-011C	LP BEIGE SPRAY CAN	Spray can	
1.	821-070C	GLOSS BLACK SPRAY CAN	Spray can	
1.	821-054C	MED. RED SPRAY TRCK/CTR	Spray can	
1.	821-058C	GREEN SPRAY CUTTERS	Spray can	
1.	821-066C	ORANGE SPRAY CAN	Spray can	
1.	821-067C	BLUE SPRAY CAN	Spray can	
1.	821-080C	PAINT ALUMINUM/ZINC SPRAY CAN	Spray can	
2.	821-011CTU	LP BEIGE TOUCH-UP 5OZ	Touch-up bottle with brush	
2.	821-070CTU	GLOSS BLACK TOUCH-UP 5OZ	Touch-up bottle with brush	
2.	821-054CTU	MED RED TOUCH-UP 5OZ	Touch-up bottle with brush	
2.	821-058CTU	GREEN TOUCH-UP 5OZ	Touch-up bottle with brush	
2.	821-066CTU	ORANGE TOUCH-UP 5OZ	Touch-up bottle with brush	
2.	821-067CTU	BLUE TOUCH-UP 5OZ	Touch-up bottle with brush	
2.	821-080CTU	PAINT ALUMINUM/ZINC TOUCH UP	Touch-up bottle with brush	
3.	821-011CQT	LP BEIGE QUART	Quart can	
3.	821-070CQT	GLOSS BLACK QUART	Quart can	
3.	821-054CQT	MED RED QUART	Quart can	
3.	821-058CQT	GREEN QUART	Quart can	
3.	821-066CQT	ORANGE QUART	Quart can	
3.	821-067CQT	BLUE QUART	Quart can	
3.	821-080CQT	PAINT ALUMINUM/ZINC QUART	Quart can	
4.	821-011CGL	LP BEIGE GALLON	Gallon can	
4.	821-070CGL	GLOSS BLACK GALLON	Gallon can	
4.	821-054CGL	MED RED GALLON	Gallon can	
4.	821-058CGL	GREEN GALLON	Gallon can	
4.	821-066CGL	ORANGE GALLON	Gallon can	
4.	821-067CGL	BLUE GALLON	Gallon can	
4.	821-080CGL	PAINT ALUMINUM/ZINC GALLON	Gallon can	



Part Number Index

The Part Number Index is a numeric index of all part numbers included in this manual. The index shows what page(s) the part is used on.

Part Number	Page	Part Number	Page
321-036S	11	821-058CTU	27
380-137A	21	821-066C	27
380-146A	11	821-066CGL	27
380-165S	21	821-066CQT	27
380-222D	7	821-066CTU	27
380-223D	21, 23	821-067C	27
380-224D	21	821-067CGL	27
380-225D	23	821-067CQT	27
380-226D	21	821-067CTU	27
380-281A	17	821-070C	27
380-289A	23	821-070CGL	27
380-294H	13	821-070CQT	27
380-296A	13	821-070CTU	27
380-297A	19	821-080C	27
380-298A	15	821-080CGL	27
380-302S	23	821-080CQT	27
380-303H	23	821-080CTU	27
381-132H	7	833-495C	21, 23
381-134H	7	833-650C	21
381-142D	7	833-739C	23
381-170L	23	837-053C	23
800-112C	9, 21, 23	837-054C	23
801-091C	23	838-094C	25
801-204C	23	838-293C	25
801-250C	23	838-378C	25
802-013C	13	838-967C	25
802-057C	13	841-466C	9, 15, 19, 21
802-115C	23	841-467C	17, 21, 23
802-159C	21, 23	841-563C	21
802-274C	23	850-042C	9
802-418C	21	850-313C	23
802-551C	7	851-055C	9
803-008C	23	851-205C	9, 19
803-023C	13	851-276C	21, 23
803-043C	21, 23	851-277C	21
803-084C	13	851-959C	23
803-088C	23	851-976C	21, 23
803-198C	21, 23	851-977C	9, 15, 19, 21
803-255C	7	858-237C	25
803-269C	23	858-563C	25
804-054C	23	861-088C	15
805-068C	11	861-287C	23
805-104C	7	861-288C	23
805-143C	11	990-228R	15, 19
805-300C	11	99362A300	23
805-527C	7	Dwg 35845	11
806-132C	21	Dwg 39633	7
806-256C	21, 23	Dwg 39634	9
810-926C	21	Dwg 39635	25
811-057C	9	Dwg 70026	17
811-170C	21, 23	Dwg 70142	13
811-171C	9	Dwg 70177	19
811-253C	21	Dwg 70178	15
811-312C	9	dwg 70903	23
811-397C	23	Dwg35841	21
811-442C	9		
811-569C	9		
811-636C	21, 23		
811-801C	17		
821-011C	27		
821-011CGL	27		
821-011CQT	27		
821-011CTU	27		
821-054C	27		
821-054CGL	27		
821-054CQT	27		
821-054CTU	27		
821-058C	27		
821-058CGL	27		
821-058CQT	27		

This Page Intentionally Left Blank



Great Plains Manufacturing, Inc.

Corporate Office: P.O. Box 5060
Salina, Kansas 67402-5060 USA

www.landpride.com
