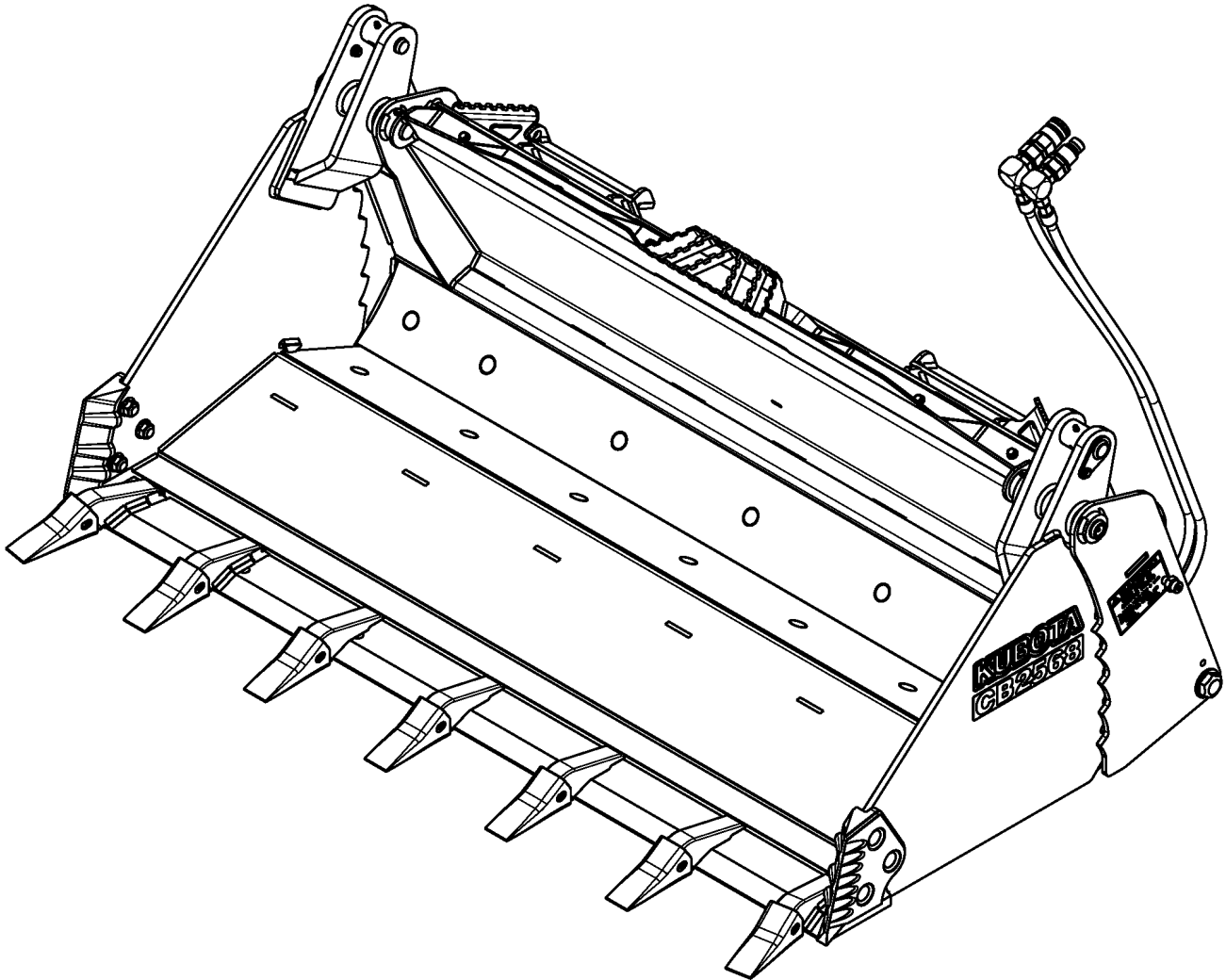


4-in-1 Combination Bucket

AP-CB2568, AP-CB2574 & AP-CB2580



39611

381-128PK
Parts Manual

Kubota®



Read the Operator's Manual entirely. When you see this symbol, the subsequent instructions and warnings are serious - follow without exception. Your life and the lives of others depend on it!

© Copyright 2018 Printed 07/11/18

Cover photo may show optional equipment not supplied with standard unit.



Table of Contents

Section 1: Introduction.....	4
Using This Manual.....	4
Manual Replacement Information.....	4
Manual Revisions.....	4
Touch-up Paint.....	4
Hardware Legend.....	5
Replacement Hardware.....	5
Serial Numbers.....	5
Part Number Service Coding.....	5
Section 2: Frame.....	6
Base Assembly.....	6
Jaw Assembly No Teeth.....	8
Jaw Assembly With Teeth.....	10
Section 3: Hydraulics.....	12
Cylinders & Hoses.....	12
Hydraulic Assembly With Counterbalance Valve.....	14
Hydraulic Assembly Without Counterbalance Valve.....	16
Hydraulic Cylinder (850-102C) Monarch.....	18
Skid Steer Hoses & Fittings.....	20
Section 4: Options.....	22
Spill Screen.....	22
Section 5: Decals.....	24
Decals.....	24
Kubota Touch-up Paints.....	26
Part Number Index.....	28

© Copyright 2018. All rights reserved.

Kubota provides this publication “as is” without warranty of any kind, either expressed or implied. While every precaution has been taken in the preparation of this manual, Kubota assumes no responsibility for errors or omissions. Neither is any liability assumed for damages resulting from the use of the information contained herein. Kubota reserves the right to revise and improve its products as it sees fit. This publication describes the state of this product at the time of its publication, and may not reflect the product in the future. The illustrations in this manual are not intended for safe and proper assembly or disassembly of equipment. The illustrations are intended for ordering parts only.

Kubota is registered trademark.

All other brands and product names are trademarks or registered trademarks of their respective holders.

Printed in the United States of America.



Alphabetized Table of Contents

B	
Base Assembly.....	6
C	
Cylinders & Hoses.....	12
D	
Decals.....	24
H	
Hydraulic Assembly With Counterbalance Valve.....	14
Hydraulic Assembly Without Counterbalance Valve.....	16
Hydraulic Cylinder (850-102C) Monarch.....	18
J	
Jaw Assembly No Teeth.....	8
Jaw Assembly With Teeth.....	10
K	
Kubota Touch-up Paints.....	26
S	
Skid Steer Hoses & Fittings.....	20
Spill Screen.....	22

General Information

Using This Manual

This manual is divided into sections. The first section contains General Information. The remaining sections divide the machine into segments (i.e. Frames, Drives, Hydraulics, etc.) which illustrate and list all parts. A Parts Number Index is located at the back of the book.

The Kubota parts in this manual are specially designed for this machine and should be replaced with Kubota parts only.

The information in this manual is current at time of printing. Some parts may change to assure top performance.

Right-hand and left-hand as used in this manual are determined by facing the direction the machine will travel while in use.

Below is an example of two facing pages from a parts manual. Familiarize yourself with the type of information contained on these pages.

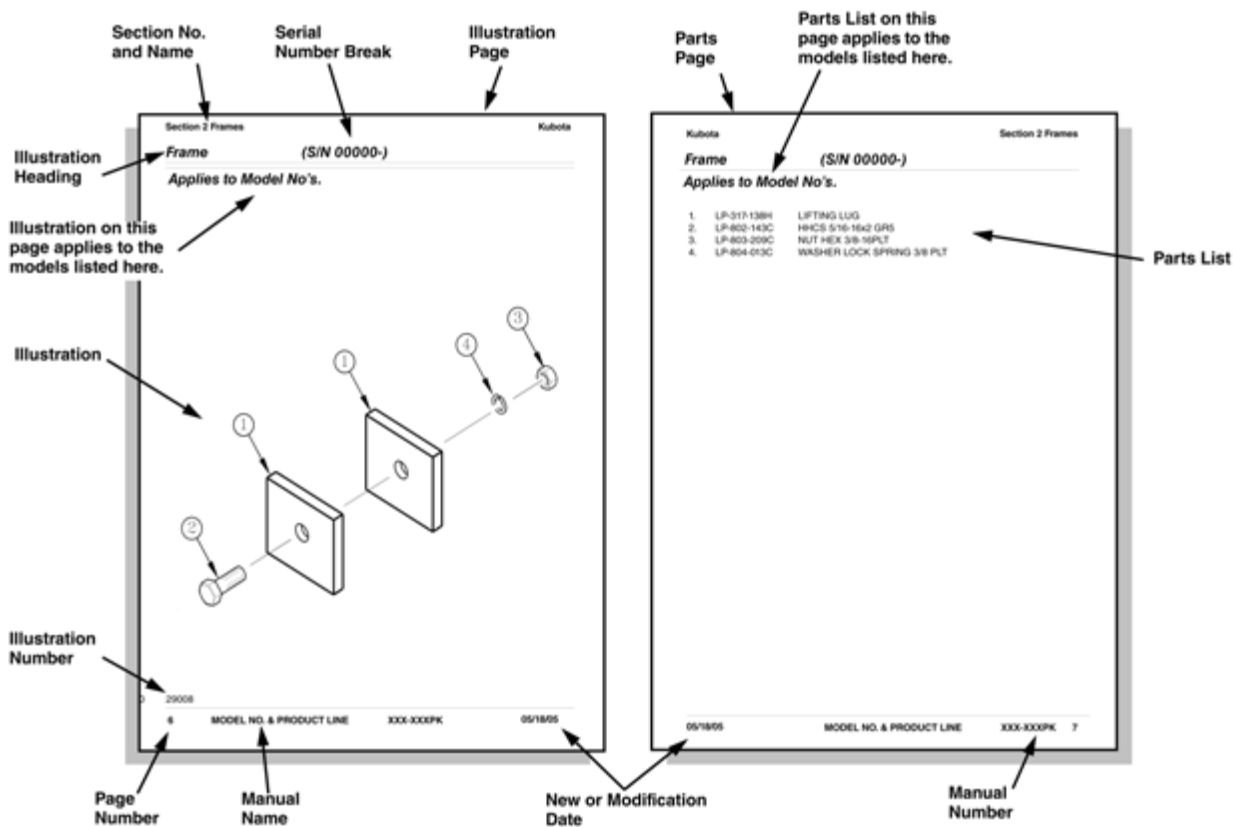
Manual Replacement Information

Replacement manuals are available. Refer to our website at www.landpride.com for additional information. Our website continues to provide the most up-to-date manuals available.

Touch-up Paint

Repaint parts where paint is worn or scratched to prevent rust. Aerosol cans and touch-up bottles with brush applicator are available through your local dealer. Also available are quart and gallon size paints. Add QT or GL to end of the Aerosol P/N.

Kubota color descriptions and part numbers are listed on the "Kubota Touch-up Paints" page in the "Decals" section of this book.



General Information

Hardware Legend

AR	As Required
BLADE	Blade Bolt
C	Cap Screw
CP	Cotter Pin
CPHSSS	Cup Point Hex Socket Set Screw
CPSHSS	Cup Point Square Head Set Screw
CPSQHSS	Cup Point Square Head Set Screw
CRFCHMS3	Cross Recess Flat Countersunk Head Machine Screw
CRPHMS	Cross Recess Pan Head Machine Screw
CRPHTFS	Cross Recess Pan Head Thread Forming
CRRHMS	Cross Recess Round Head Machine Screw
CRTHMS	Cross Recess Truss Head Machine Screw
CSNB	Countersunk Square Neck Bolt
FHMS	Flat Head Machine Screw
FTC	Full Thread Cap Screw
H	Hex Nut
HCLN	Hex Center Lock Nut
HFLCS	Hex Flange Lock Cap Screw
HFS	Hex Flange Screw
HFSLN	Hex Flange Serrated Lock Nut
HFSS	Hex Flange Serrated Screw
HHCS	Hex Head Cap Screw or Metric Bolt
HSBHCS	Hex Socket Button Head Cap Screw
HSFCHCS	Hex Socket Flat Countersunk Head Cap Screw
HSHCS	Hex Socket Head Cap Screw
HSSS	Hex Socket Head Screw
HTLN	Hex Top Lock Nut
HWHCS	Hex Washer Head Cap Screw

HWHMS	Hex Washer Head Machine Screw
HXBHCS	Hex Socket Button Head Cap Screw
J	Hex Jam Nut
JIC	37 Degree Tapered Thread
L	Helical Spring Lock Washer
LUG	Lug Bolt
NFC	National Fine Cap Screw
NPSM	National Pipe Straight Mechanical
NPTF	National Pipe Taper Fuel
P	Wide Plain Washer
PHMS	Pan Head Machine Screw
PLOW	Plow Bolt
RHMS	Round Head Machine Screw
RHSNB	Round Head Square Neck Bolt
SCREW LEVELING	Leveling Screw
SCREW THUMB	Thumb Screw
SCREW WELD	Weld Screw
SFCHMS	Slotted Flat Countersunk Head Machine Screw
SFHMS	Slotted Fillister Head Machine Screw
SP	Special
SP SCREW	Special Screw
SQHSS	Square Head Set Screw
SRHMS	Slotted Round Head Machine Screw
SSS	Socket Set Screw
STCS	Self Tapping Cap Screw
STHMS	Slotted Truss Head Machine Screw
WHEEL	Wheel Studs and Hub Long Bolts
WING	Wing Bolt

Replacement Hardware

The **Hardware Legend** above lists hardware abbreviations used in the parts list. All bolts and nuts are Grade 5 unless otherwise noted. The use of improper grades of hardware can result in personal injury, damage to equipment, or loss of property.

Part Number Service Coding

Within the parts list some part numbers are coded for revisions and interchangeability. See notations in revision column.

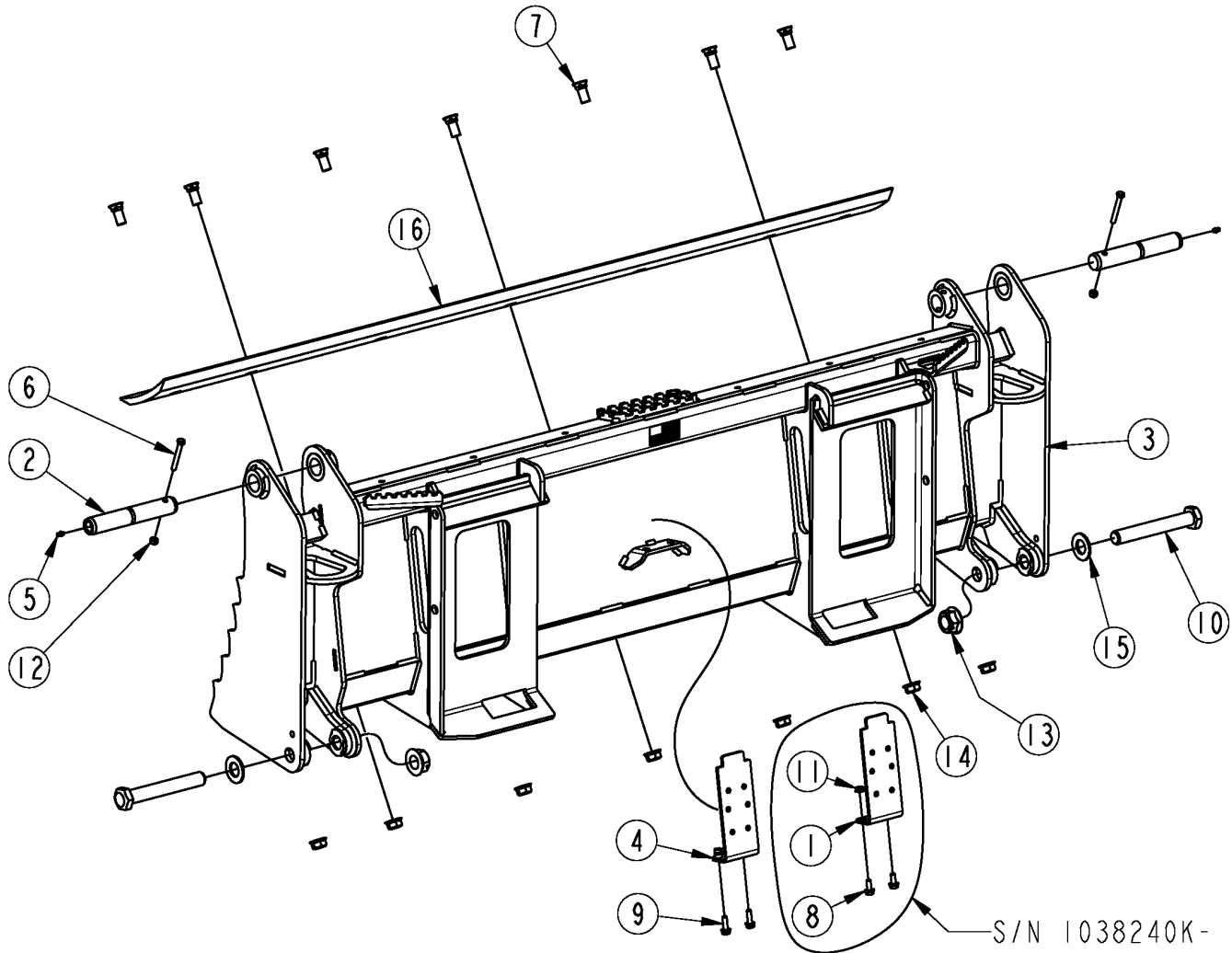
Serial Numbers

Always use the serial and model number when ordering parts. Refer to the Operator's Manual for serial number plate location.

- (S/N 20001+) Includes serial numbers 20001 and above (to the latest number)
- (S/N 10001 to 20000) Includes serial numbers between and including 10001 and 20000
- (S/N 10000-) Includes serial numbers 10000 and below (to the earliest number)

Base Assembly

Applies to AP-CB2568, AP-CB2574, AP-CB2580



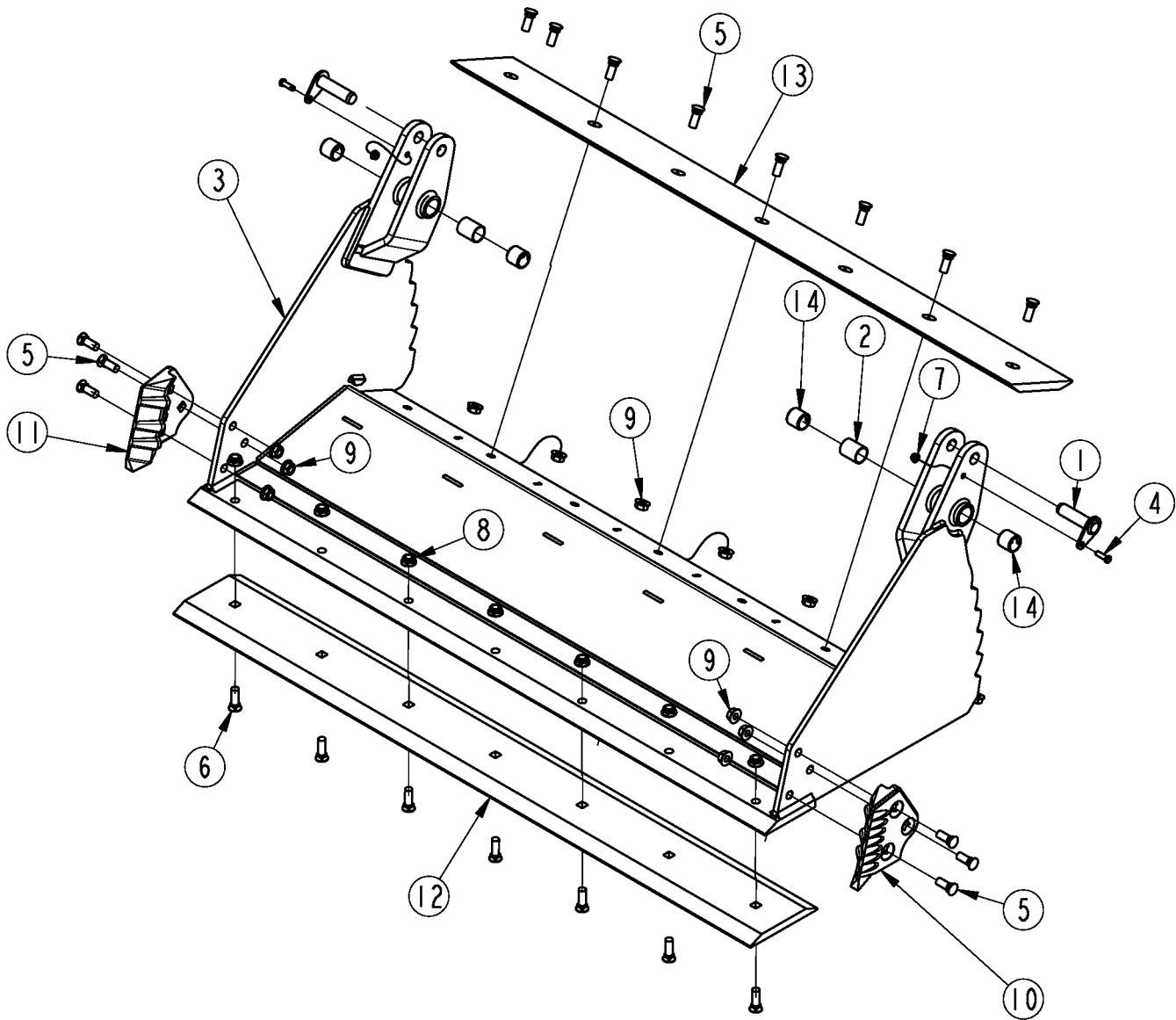
39618

Base Assembly**Applies to AP-CB2568, AP-CB2574, AP-CB2580**

Ref	Part No.	Part Description	Comments	Revision
	Dwg 39618	Image No.		
1.	381-106D	BRKT, VALVE MNT	S/N 1038240K-	
2.	381-110D	PIVOT PIN 1.25X7.81		
3.	381-110H	WMT, 68 4N1 BASE	AP-CB2568	
3.	381-109H	WMT, 74 4N1 BASE	AP-CB2574	
3.	381-084H	WMT, 80 4N1 BASE	AP-CB2580	
4.	381-179S	BRKT, VALVE MNT W/NUTZERTS	S/N 1038241K+	
5.	800-001C	GREASE ZERK STRAIGHT 1/4-28		
6.	802-172C	HHCS 5/16-18X2 1/2 GR5		
7.	802-236C	PLOW 5/8-11X1 1/2 GR5		
8.	802-387C	HFS 5/16-18X3/4 GR5	S/N 1038240K-	
9.	802-431C	HFSS 5/16-18X1 GR5 PLT	S/N 1038241K+	
10.	802-827C	HHCS 1-8X7 GR8 PLT		
11.	803-043C	NUT HEX WHIZ 5/16-18 PLT	S/N 1038240K-	
12.	803-084C	NUT HEX NYLOCK 5/16-18 PLT		
13.	803-258C	NUT HEX FLG LOCK 1-8 GR B PLT		
14.	803-304C	NUT HEX WHIZ 5/8-11 PLT		
15.	804-029C	WASHER FLAT 1 SAE		
16.	820-592C	1/2X6 GRADER BLADE X 67.5"	AP-CB2568 (7 bolt holes)	
16.	820-477C	1/2X6 GRADER BLADE X 73.5"	AP-CB2574 (8 bolt holes)	
16.	820-591C	1/2X6 GRADER BLADE X 79.5"	AP-CB2580 (8 bolt holes)	

Jaw Assembly No Teeth

Applies to AP-CB2568, AP-CB2574, AP-CB2580



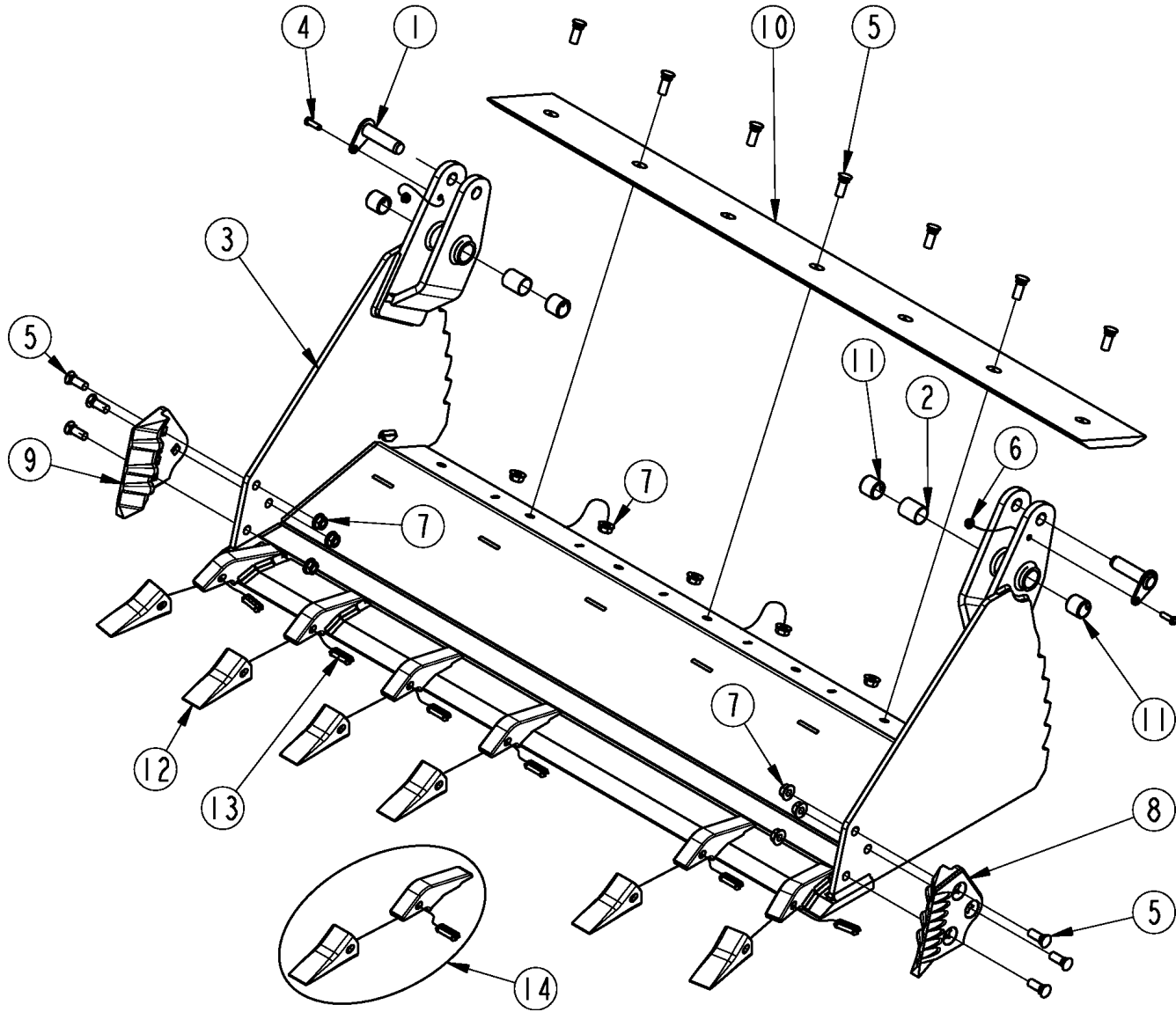
39613

Jaw Assembly No Teeth**Applies to AP-CB2568, AP-CB2574, AP-CB2580**

Ref	Part No.	Part Description	Comments	Revision
	Dwg 39613	Image No.		
	381-124A	JAW ASM, 68 4N1 W/O TEETH	For AP-CB2568	
	381-122A	JAW ASM, 74 4N1 W/O TEETH	For AP-CB2574	
	381-099A	JAW ASM, 80 4N1 W/O TEETH *	For AP-CB2580	
1.	381-088H	WMT, PIVOT PIN		
2.	381-089D	SPACER 1.50ODX1.331IDX1.81		
3.	381-113H	WMT, 68 4N1 JAW W/O TEETH	For AP-CB2568	
3.	381-111H	WMT, 74 4N1 JAW W/O TEETH	For AP-CB2574	
3.	381-085H	WMT, 80 4N1 JAW W/O TEETH	For AP-CB2580	
4.	802-079C	HHCS 3/8-16X1 1/4 GR5		
5.	802-206C	PLOW 5/8-11X1 3/4 GR5		
6.	802-288C	PLOW 5/8-11X2 GR5	For AP-CB2568 & AP-CB2574	
6.	842-274C	PLOW 3/4-10X2 1/2 GR8	For AP-CB2580	
7.	803-209C	NUT FLANGE LOCK 3/8-16 PLT		
8.	803-263C	NUT HEX FLANGE LOCK 5/8-11 PLT	For AP-CB2568 & AP-CB2574	
8.	803-181C	NUT HEX FLANGE LOCK 3/4-10 PLT	For AP-CB2580	
9.	803-304C	NUT HEX WHIZ 5/8-11 PLT		
10.	812-497C	BUCKET SIDE CUTTER LH		
11.	812-498C	BUCKET SIDE CUTTER RH		
12.	820-554C	CUTTING EDGE,68" BUCKT BLT ON	For AP-CB2568 (7 bolt holes)	
12.	820-552C	CUTTING EDGE,74" BUCKT BLT ON	For AP-CB2574 (8 bolt holes)	
12.	820-555C	CUTTING EDGE,80" BUCKT BLT ON	For AP-CB2580 (9 bolt holes)	
13.	820-593C	CUTTING EDGE,66" BUCKT BLT ON	For AP-CB2568 (7 bolt holes)	
13.	820-553C	CUTTING EDGE,72" BUCKT BLT ON	For AP-CB2574 (7 bolt holes)	
13.	820-551C	CUTTING EDGE,78" BUCKT BLT ON	For AP-CB2580 (9 bolt holes)	
14.	891-177C	BHG 1.50ODX1.25X1.38		

Jaw Assembly With Teeth

Applies to AP-CB2568, AP-CB2574, AP-CB2580



39614

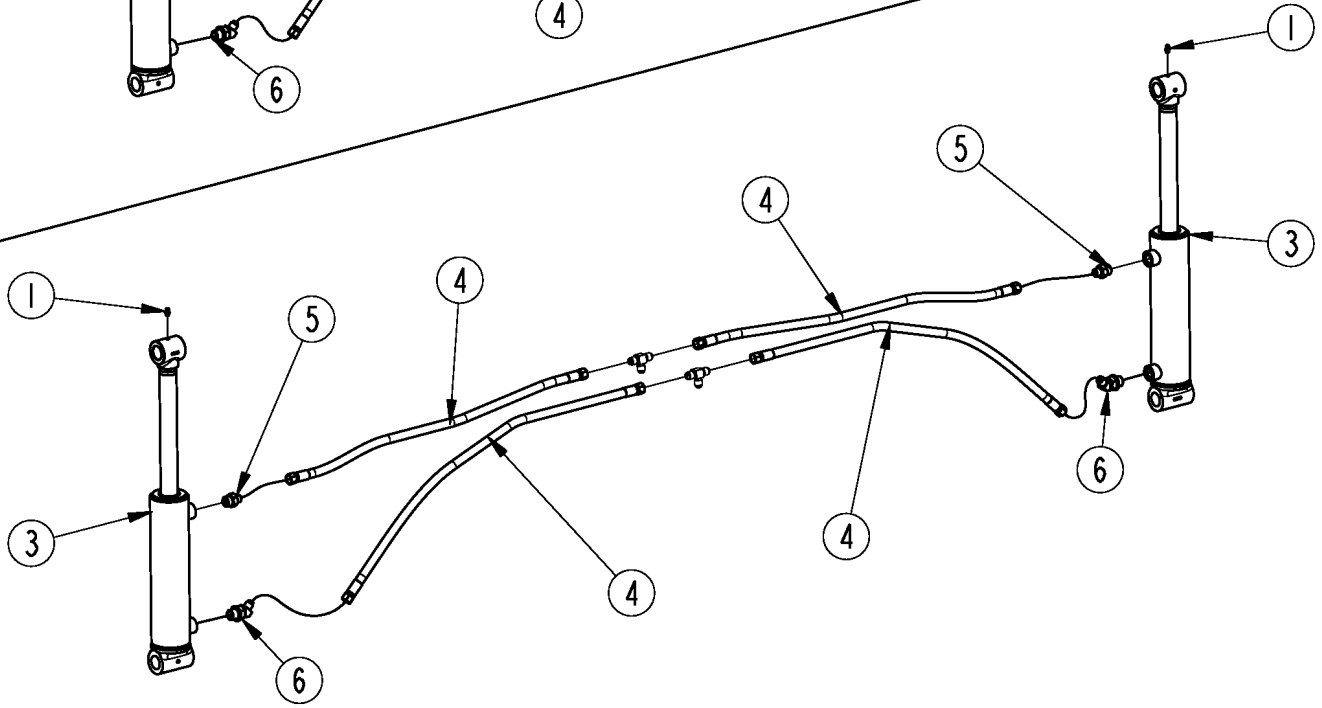
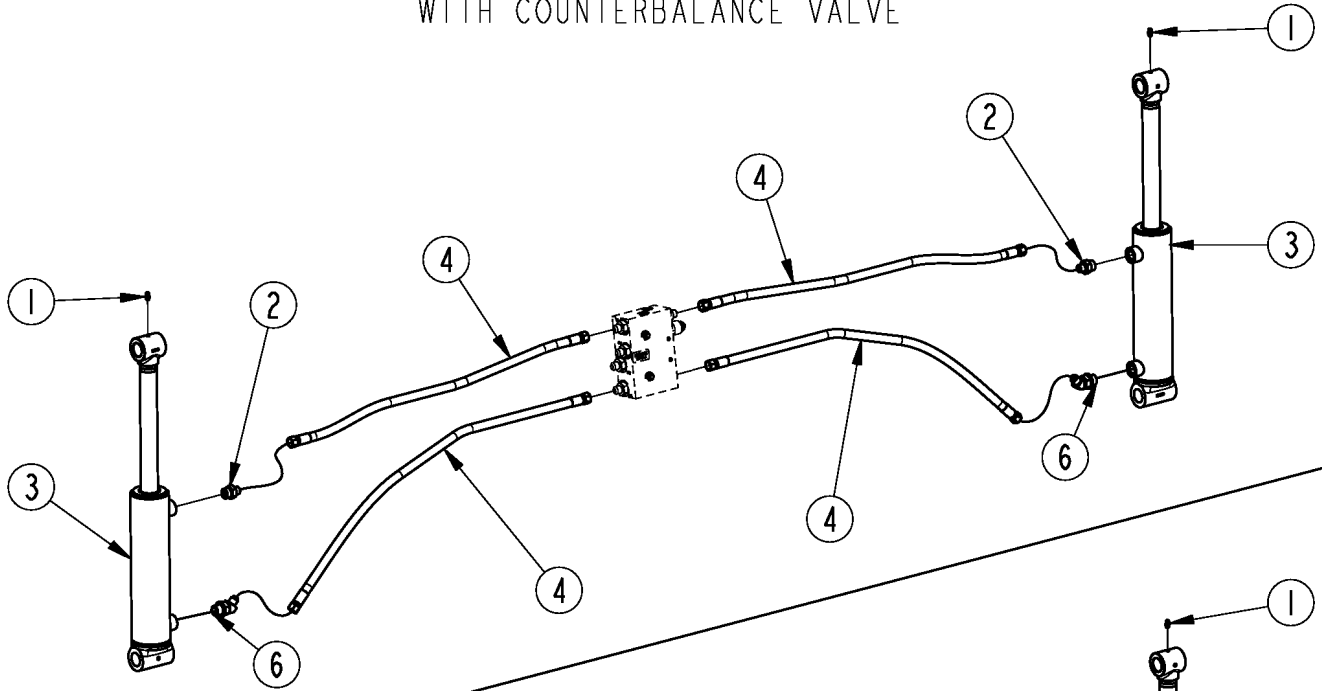
Jaw Assembly With Teeth**Applies to AP-CB2568, AP-CB2574, AP-CB2580**

Ref	Part No.	Part Description	Comments	Revision
	Dwg 39614	Image No.		
	381-125A	JAW ASM, 68 4N1 W/TEETH	For AP-CB2568	
	381-123A	JAW ASM, 74 4N1 W/TEETH	For AP-CB2574	
	380-121A	JAW ASM, 80 4N1 W/TEETH *	For AP-CB2580	
1.	381-088H	WMT, PIVOT PIN		
2.	381-089D	SPACER 1.50ODX1.331IDX1.81		
3.	381-114H	WMT, 68 4N1 JAW W/TEETH	For AP-CB2568	
3.	381-112H	WMT, 74 4N1 JAW W/TEETH	For AP-CB2574	
3.	381-104H	WMT, 80 4N1 JAW W/TEETH	For AP-CB2580	
4.	802-079C	HHCS 3/8-16X1 1/4 GR5		
5.	802-206C	PLOW 5/8-11X1 3/4 GR5		
6.	803-209C	NUT FLANGE LOCK 3/8-16 PLT		
7.	803-304C	NUT HEX WHIZ 5/8-11 PLT		
8.	812-497C	BUCKET SIDE CUTTER LH		
9.	812-498C	BUCKET SIDE CUTTER RH		
10.	820-593C	CUTTING EDGE,66" BUCKT BLT ON	For AP-CB2568 (7 bolt holes)	
10.	820-553C	CUTTING EDGE,72" BUCKT BLT ON	For AP-CB2574 (7 bolt holes)	
10.	820-551C	CUTTING EDGE,78" BUCKT BLT ON	For AP-CB2580 (9 bolt holes)	
11.	891-177C	BHG 1.50ODX1.25X1.38		
12.	891-518C	PIN ON TOOTH		
13.	891-519C	TOOTH LOCKING PIN		
14.	381-020S	ASY, WELD ON TOOTH		

Cylinders & Hoses

Applies to AP-CB2568, AP-CB2574, AP-CB2580

WITH COUNTERBALANCE VALVE



WITHOUT COUNTERBALANCE VALVE

39619

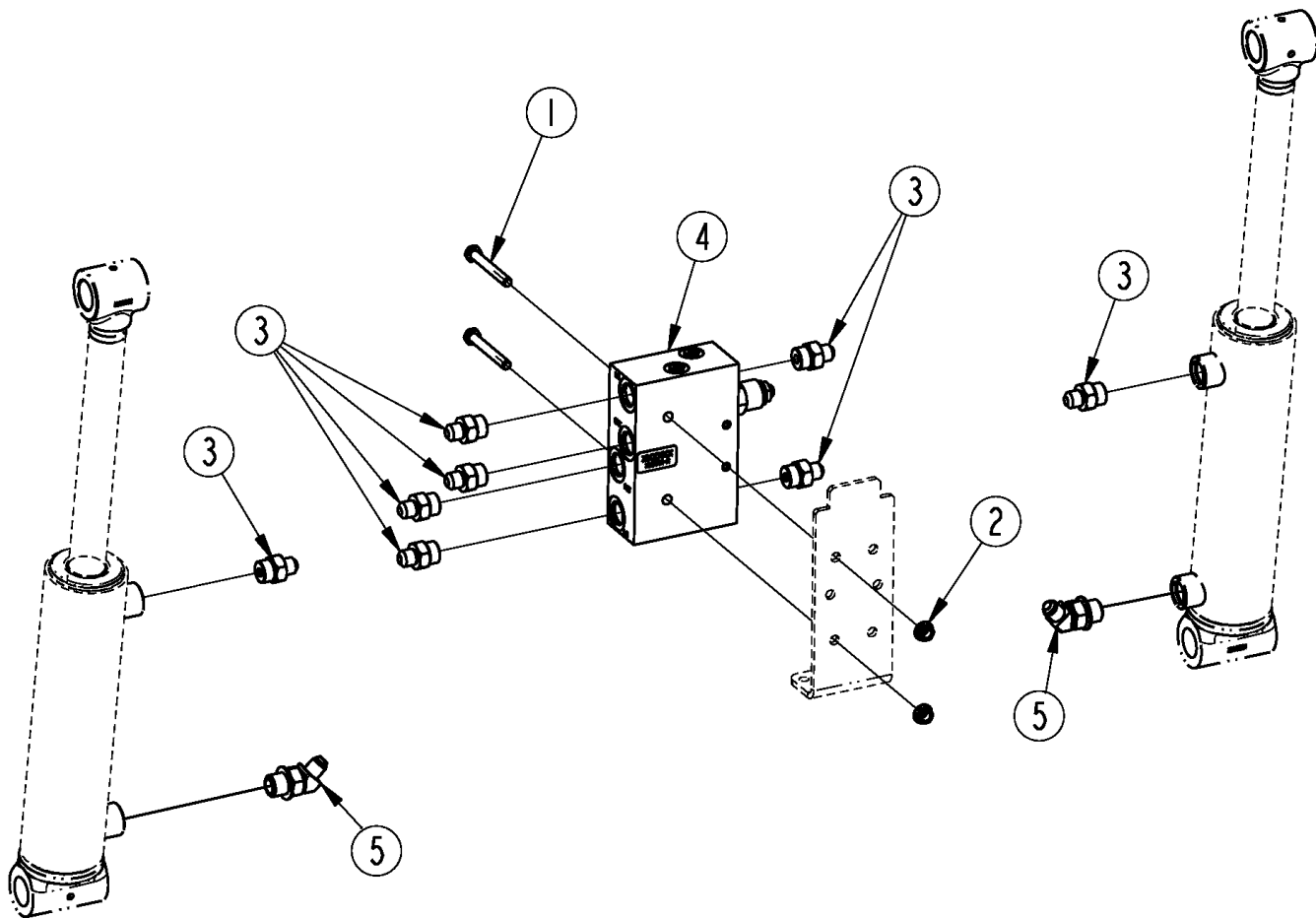
Cylinders & Hoses

Applies to AP-CB2568, AP-CB2574, AP-CB2580

Ref	Part No.	Part Description	Comments	Revision
	Dwg 39619	Image No.		
1.	800-001C	GREASE ZERK STRAIGHT 1/4-28		
2.	811-133C	AD 9/16MJIC 3/4MORB		
3.	850-102C	CYL 2.5X8X1.25 ROD WLD		
4.	851-689C	HH3/8R2 030 9/16FJIC	For AP-CB2568	
4.	851-688C	HH3/8R2 033 9/16FJIC	For AP-CB2574	
4.	851-687C	HH3/8R2 036 9/16FJIC	For AP-CB2580	
5.	851-869C	ORAD 1/16 9/16MJIC 3/4MORB		
6.	851-870C	EL 45 3/4MORB 9/16MJIC		

Hydraulic Assembly With Counterbalance Valve

Applies to AP-CB2568, AP-CB2574, AP-CB2580



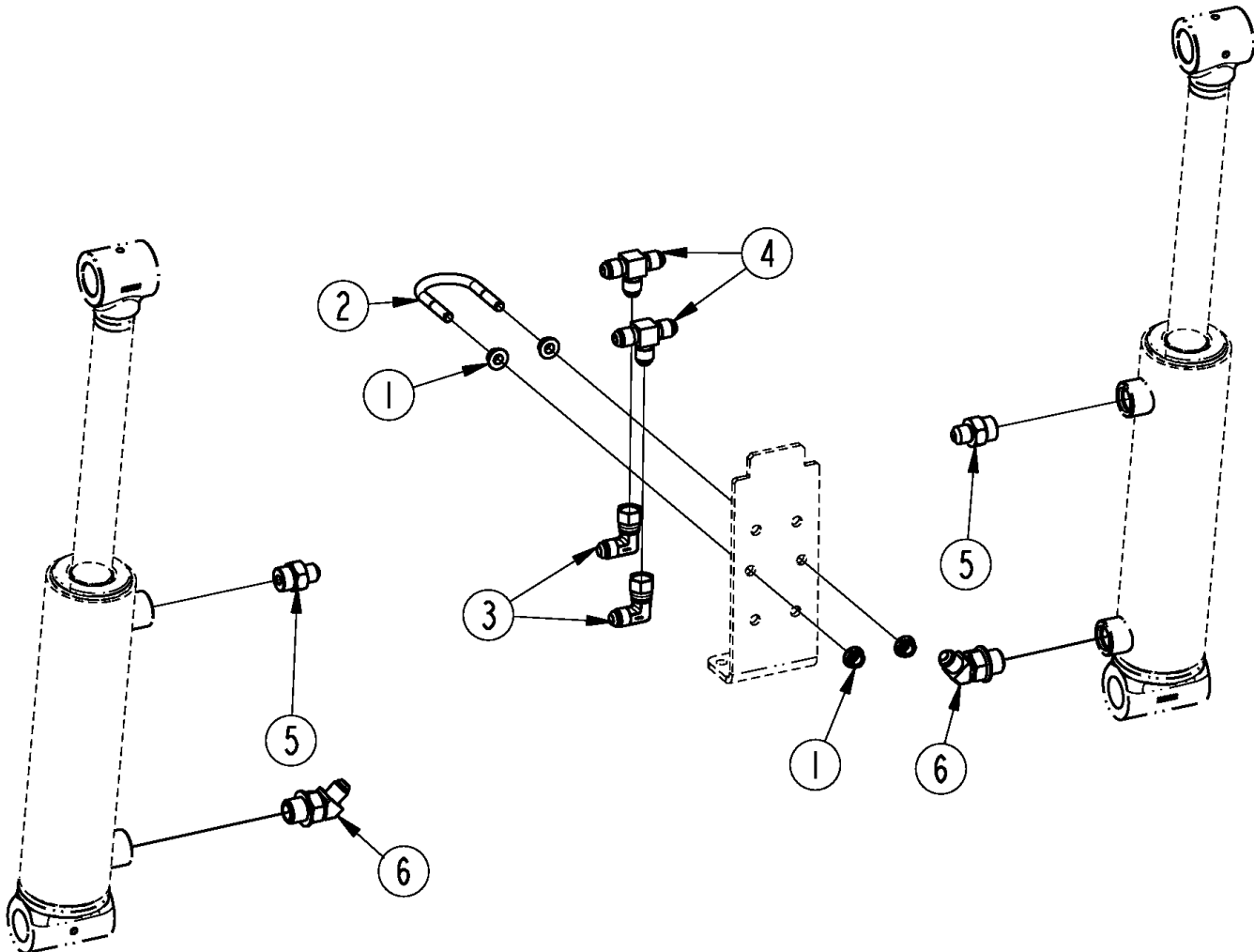
39615

Hydraulic Assembly With Counterbalance Valve**Applies to AP-CB2568, AP-CB2574, AP-CB2580**

Ref	Part No.	Part Description	Comments	Revision
	Dwg 39615 381-101A	Image No. ASY, COUNTERBALANCE VALVE *		
1.	802-172C	HHCS 5/16-18X2 1/2 GR5		
2.	803-043C	NUT HEX WHIZ 5/16-18 PLT		
3.	811-133C	AD 9/16MJIC 3/4MORB		
4.	850-071C	VALVE, COUNTERBALANCE		
5.	851-870C	EL 45 3/4MORB 9/16MJIC	not offered in this option	

Hydraulic Assembly Without Counterbalance Valve

Applies to AP-CB2568, AP-CB2574, AP-CB2580



39616

Hydraulic Assembly Without Counterbalance Valve**Applies to AP-CB2568, AP-CB2574, AP-CB2580**

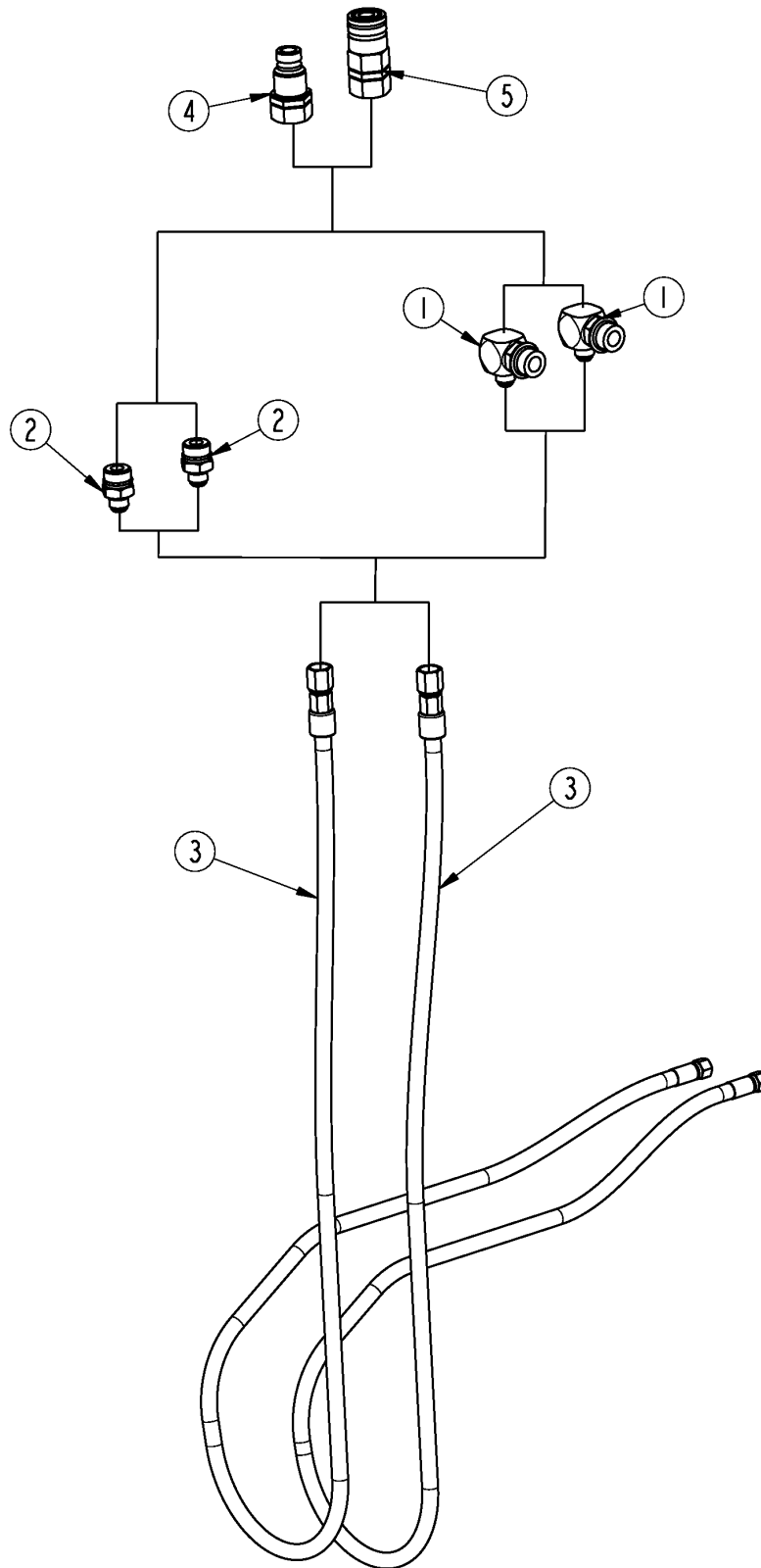
Ref	Part No.	Part Description	Comments	Revision
	Dwg 39616 381-142A	Image No. ASY, W/O COUNTERBALANCE VALVE *		
1.	803-043C	NUT HEX WHIZ 5/16-18 PLT		
2.	806-192C	U-BOLT 5/16-18X1 1/2X2 1/2 RND		
3.	811-169C	EL 9/16MJIC 9/16FJIC		
4.	811-312C	TE 9/16MJIC		
5.	851-869C	ORAD 1/16 9/16MJIC 3/4MORB		
6.	851-870C	EL 45 3/4MORB 9/16MJIC	not offered in this option	

Hydraulic Cylinder (850-102C) Monarch**Applies to AP-CB2568, AP-CB2574, AP-CB2580**

Ref	Part No.	Part Description	Comments	Revision
	Dwg 39622 850-102C	Image No. CYL 2.5X8X1.25 ROD WLD *		
1.	130556	MON PISTON NUT		
2.	138098	MON RETAINING RING EXTRNL 2.50		
3.	N/A	MON WEAR RING 2.50-2.38-0.250	Availabel only in Kit #15	
4.	N/A	MON WEAR RING 1.37-1.25-0.250	Availabel only in Kit #15	
5.	N/A	MON SEAL ZURCON U-CUP RU9 1.25	Availabel only in Kit #15	
6.	N/A	MON SEAL ZURCON GLYD RING 2.5	Availabel only in Kit #15	
7.	N/A	MON SEAL WIPER 1.25 SNAP IN DA	Availabel only in Kit #15	
8.	N/A	MON SEAL DUAL 2.50 Z20 PU	Availabel only in Kit #15	
9.	258818	MON PISTON2.50-.750-TSS-ISO-WR		
10.	258872	MON CYL HEAD 2.50-1.25-RR-TSS		
11.	498649	MON TUBE WELDT 1.25-8.00		
12.	498650	MON ROD WELDT 1.25-8.00		
13.	801-045C	SCREW SET 1/4-28X1/4 KNL CUP		
14.	M138011	MON RETAINING RING INTRNL 2.50		
15.	850-191C	MON SEAL KIT 649199	Includes Items 3 through 8	

Skid Steer Hoses & Fittings

Applies to AP-CB2568, AP-CB2574, AP-CB2580



39620

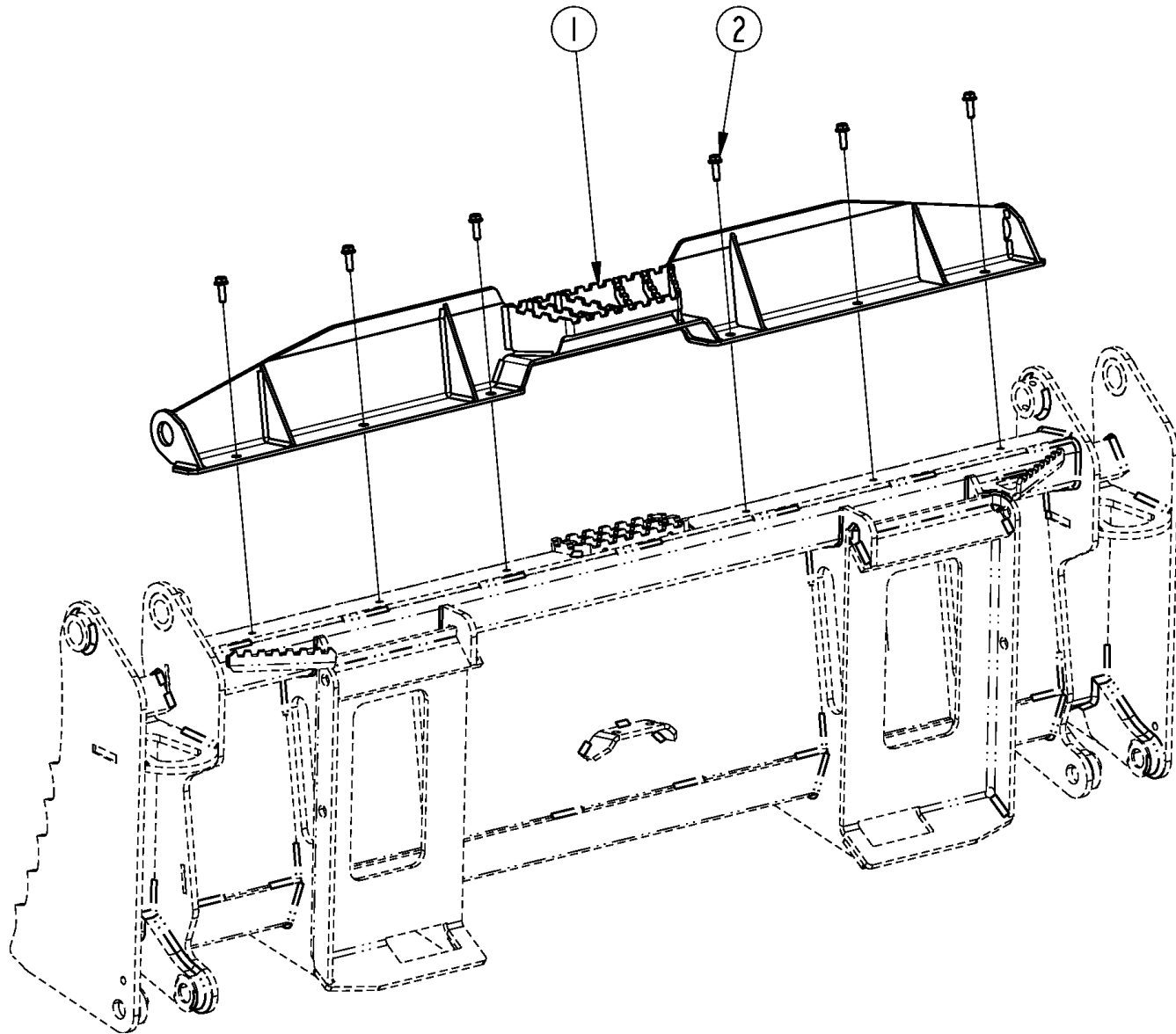
Skid Steer Hoses & Fittings

Applies to AP-CB2568, AP-CB2574, AP-CB2580

Ref	Part No.	Part Description	Comments	Revision
	Dwg 39620	Image No.		
1.	811-091C	EL 3/4MJIC 1 1/16MORB		
2.	811-205C	AD 3/4MJIC 1 1/16MORB		
3.	851-690C	HH3/8R2 074 9/16FJIC 3/4FJIC		
4.	851-947C	CUP 1 1/16FORB MALE QUICK CPLR		
5.	851-948C	CUP 1 1/16FORB FML QUICK CPLR		

Spill Screen

Applies to AP-CB2568, AP-CB2574, AP-CB2580



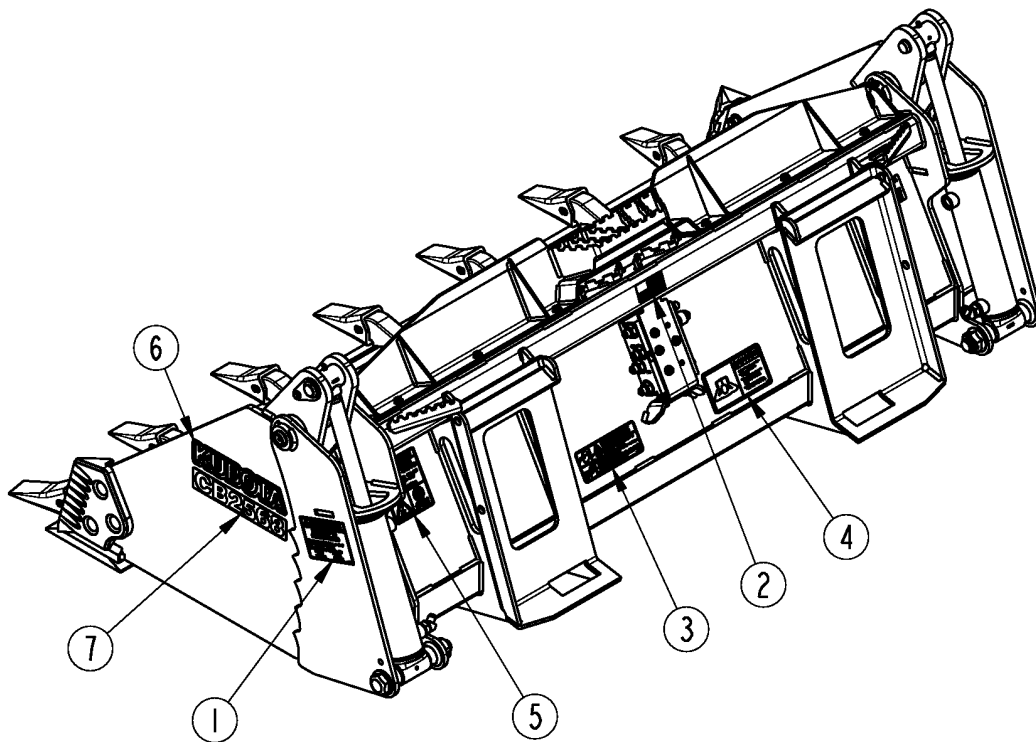
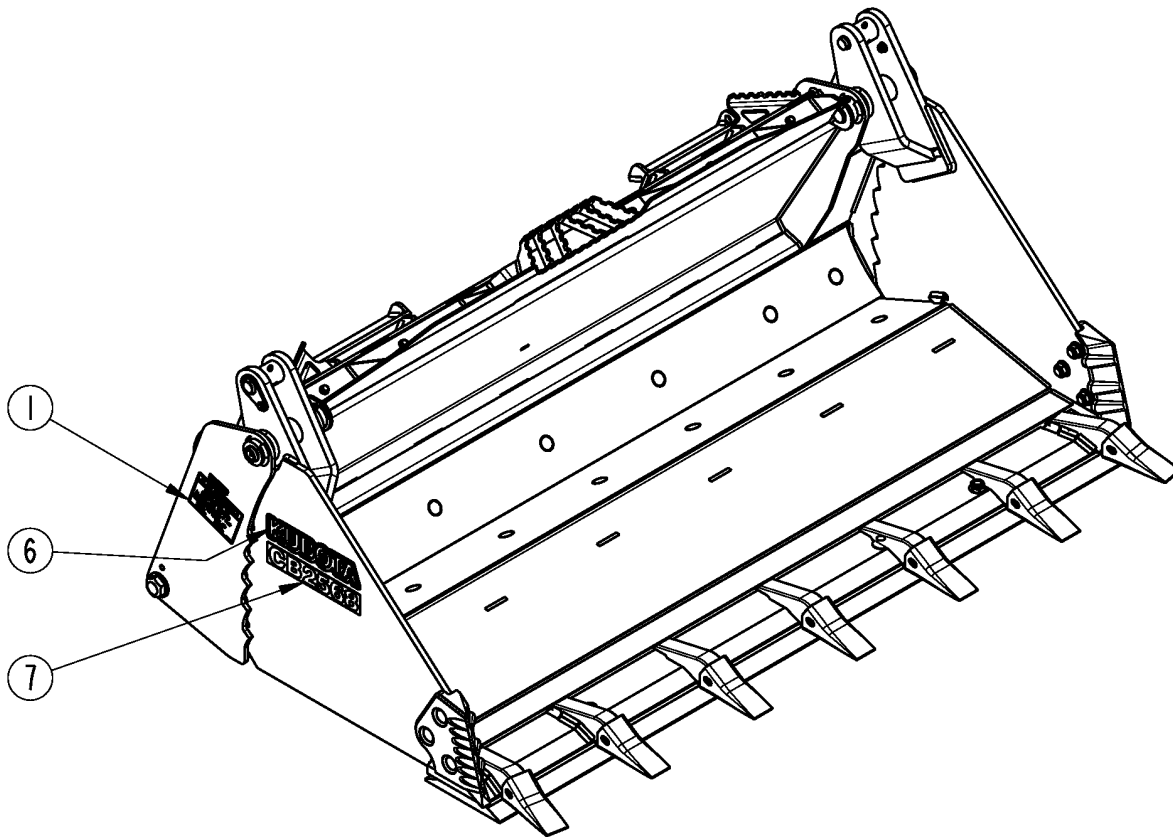
39617

Spill Screen**Applies to AP-CB2568, AP-CB2574, AP-CB2580**

Ref	Part No.	Part Description	Comments	Revision
	Dwg 39617	Image No.		
	381-118A	ASM, 68 SPILL SCREEN	For AP-CB2568	
	381-117A	ASM, 74 SPILL SCREEN	For AP-CB2574	
	381-100A	ASM, 80 SPILL SCREEN	For AP-CB2580	
		*		
1.	381-116H	WMT, 68 4N1 SPILL SCREEN	For AP-CB2568	
1.	381-115H	WMT, 74 4N1 SPILL SCREEN	For AP-CB2574	
1.	381-087H	WMT, 80 4N1 SPILL SCREEN	For AP-CB2580	
2.	802-431C	HFSS 5/16-18X1 GR5 PLT		

Decals

Applies to AP-CB2568, AP-CB2574, AP-CB2580



39621

Decals**Applies to AP-CB2568, AP-CB2574, AP-CB2580**

Ref	Part No.	Part Description	Comments	Revision
	Dwg 39621	Image No.		
1.	818-045C	DECAL WARNING PINCH PT/CRUSH		
2.	818-190C	DECAL FLAG		
3.	838-094C	DECAL WARNING HYD PRESS LONG		
4.	838-293C	DECAL WARNING READ MANUAL		
5.	858-237C	DECAL DIG SAFE		
6.	858-398C	DECAL KUBOTA 10"		
7.	858-516C	DECAL CB2568 WHITE	For AP-CB2568	
7.	858-515C	DECAL CB2574 WHITE	For AP-CB2574	
7.	858-514C	DECAL CB2580 WHITE	For AP-CB2580	

Kubota Touch-up Paints

Applies to AP-CB2568, AP-CB2574, AP-CB2580

No diagram associated with this Parts List

Kubota Touch-up Paints

Applies to AP-CB2568, AP-CB2574, AP-CB2580

Ref	Part No.	Part Description	Comments	Revision
1.	821-070C	GLOSS BLACK SPRAY CAN	All Products	
2.	821-070CTU	GLOSS BLACK TOUCH-UP 5OZ		
3.	821-070CQT	GLOSS BLACK QUART		
4.	821-070CGL	GLOSS BLACK GALLON		



Part Number Index

The Part Number Index is a numeric index of all part numbers included in this manual. The index shows what page(s) the part is used on.

<u>Part Number</u>	<u>Page</u>	<u>Part Number</u>	<u>Page</u>
130556	19	820-592C	7
138098	19	820-593C	9, 11
258818	19	821-070C	27
258872	19	821-070CGL	27
380-121A	11	821-070CQT	27
381-020S	11	821-070CTU	27
381-084H	7	838-094C	25
381-085H	9	838-293C	25
381-087H	23	842-274C	9
381-088H	9, 11	850-071C	15
381-089D	9, 11	850-102C	13, 19
381-099A	9	850-191C	19
381-100A	23	851-687C	13
381-101A	15	851-688C	13
381-104H	11	851-689C	13
381-106D	7	851-690C	21
381-109H	7	851-869C	13, 17
381-110D	7	851-870C	13, 15, 17
381-110H	7	851-947C	21
381-111H	9	851-948C	21
381-112H	11	858-237C	25
381-113H	9	858-398C	25
381-114H	11	858-514C	25
381-115H	23	858-515C	25
381-116H	23	858-516C	25
381-117A	23	891-177C	9, 11
381-118A	23	891-518C	11
381-122A	9	891-519C	11
381-123A	11	Dwg 39613	9
381-124A	9	Dwg 39614	11
381-125A	11	Dwg 39615	15
381-142A	17	Dwg 39616	17
381-179S	7	Dwg 39617	23
498649	19	Dwg 39618	7
498650	19	Dwg 39619	13
800-001C	7, 13	Dwg 39620	21
801-045C	19	Dwg 39621	25
802-079C	9, 11	Dwg 39622	19
802-172C	7, 15	M138011	19
802-206C	9, 11	N/A	19
802-236C	7		
802-288C	9		
802-387C	7		
802-431C	7, 23		
802-827C	7		
803-043C	7, 15, 17		
803-084C	7		
803-181C	9		
803-209C	9, 11		
803-258C	7		
803-263C	9		
803-304C	7, 9, 11		
804-029C	7		
806-192C	17		
811-091C	21		
811-133C	13, 15		
811-169C	17		
811-205C	21		
811-312C	17		
812-497C	9, 11		
812-498C	9, 11		
818-045C	25		
818-190C	25		
820-477C	7		
820-551C	9, 11		
820-552C	9		
820-553C	9, 11		
820-554C	9		
820-555C	9		
820-591C	7		

This Page Intentionally Left Blank



KUBOTA TRACTOR CORPORATION
1000 Kubota Drive, Grapevine, TX 76051
Telephone: (817) 756-1171

Western Division: 1175 S. Guild Ave., Lodi, CA 95240
Telephone: (209) 334-9910

Central Division: 14855 FAA Blvd., Fort Worth, TX 76155
Telephone: (817) 571-0900

Northern Division: 6300 at One Kubota Way, Groveport, OH 43125
Telephone: (614) 835-1100

Southeast Division: 1025 Northbrook Parkway, Suwanee, GA 30024
Telephone: (770) 995-8855

www.kubota.com
