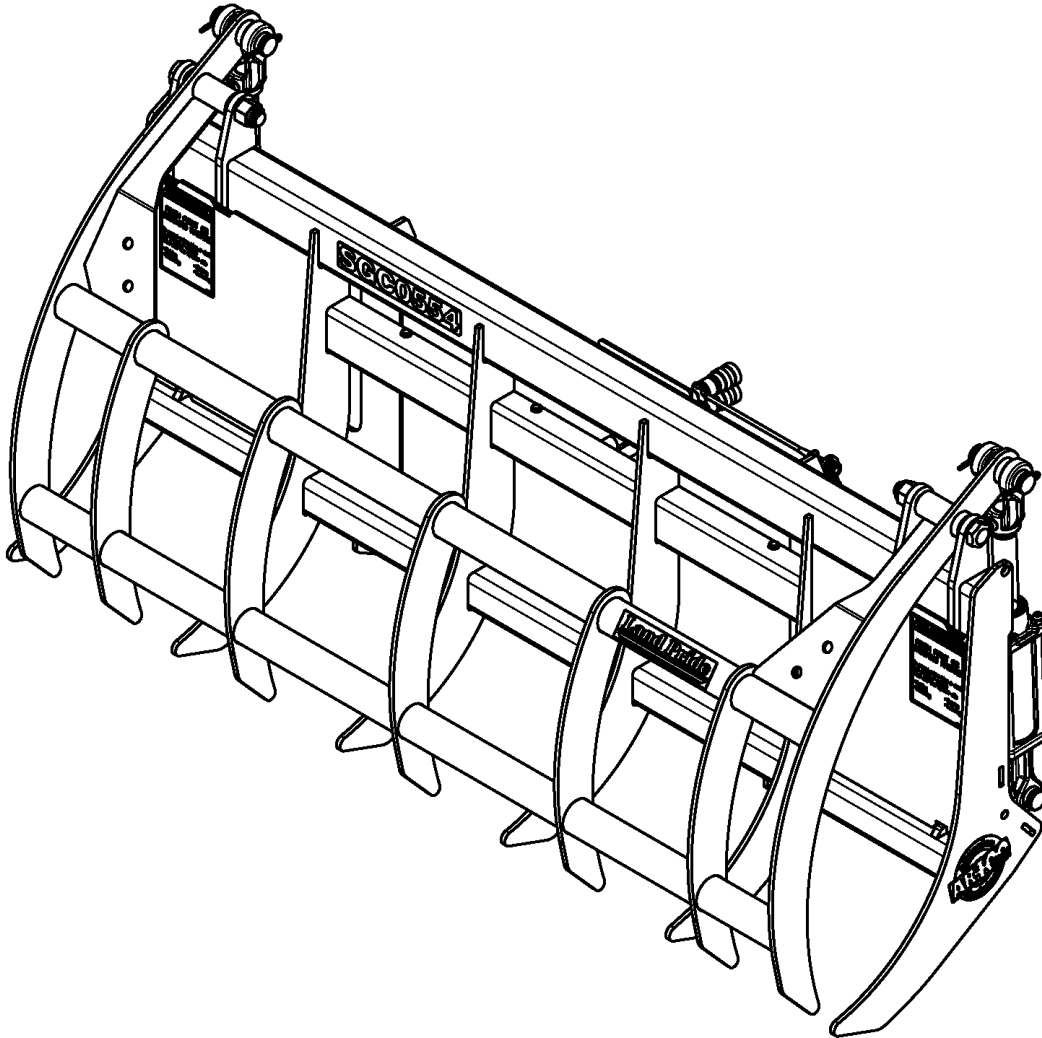


Grapples

SGC0554



70014

380-275P
Parts Manual



Read the Operator's Manual entirely. When you see this symbol, the subsequent instructions and warnings are serious - follow without exception. Your life and the lives of others depend on it!

© Copyright 2018 Printed 09/27/18

Cover photo may show optional equipment not supplied with standard unit.





Table of Contents

Section 1: Introduction.....	4
Using This Manual.....	4
Manual Replacement Information.....	4
Manual Revisions.....	4
Touch-up Paint.....	4
Hardware Legend.....	5
Replacement Hardware.....	5
Serial Numbers.....	5
Part Number Service Coding.....	5
Section 2: Main Assembly.....	6
Grapple & Claw Frame.....	6
Hydraulic Components.....	8
Hydraulic Cylinder (810-961C).....	10
Section 3: Options & Accessories.....	12
Kubota 3rd Function Valve Couplers.....	12
Valve Kit BX80 Third Function 380-289A.....	14
Section 4: Decals.....	16
Decal Placement.....	16
Part Number Index.....	18

© Copyright 2018. All rights reserved.

Land Pride provides this publication “as is” without warranty of any kind, either expressed or implied. While every precaution has been taken in the preparation of this manual, Land Pride assumes no responsibility for errors or omissions. Neither is any liability assumed for damages resulting from the use of the information contained herein. Land Pride reserves the right to revise and improve its products as it sees fit. This publication describes the state of this product at the time of its publication, and may not reflect the product in the future. The illustrations in this manual are not intended for safe and proper assembly or disassembly of equipment. The illustrations are intended for ordering parts only.

Land Pride is registered trademark.

All other brands and product names are trademarks or registered trademarks of their respective holders.

Printed in the United States of America.



Alphabetized Table of Contents

D	
Decal Placement.....	16
G	
Grapple & Claw Frame.....	6
H	
Hydraulic Components.....	8
Hydraulic Cylinder (810-961C).....	10
K	
Kubota 3rd Function Valve Couplers.....	12
V	
Valve Kit BX80 Third Function 380-289A.....	14

General Information

Using This Manual

This manual is divided into sections. The first section contains General Information. The remaining sections divide the machine into segments (i.e. Frames, Drives, Hydraulics, etc.) which illustrate and list all parts. A Parts Number Index is located at the back of the book.

The Land Pride parts in this manual are specially designed for this machine and should be replaced with Land Pride parts only.

The information in this manual is current at time of printing. Some parts may change to assure top performance.

Right-hand and left-hand as used in this manual are determined by facing the direction the machine will travel while in use.

Below is an example of two facing pages from a parts manual. Familiarize yourself with the type of information contained on these pages.

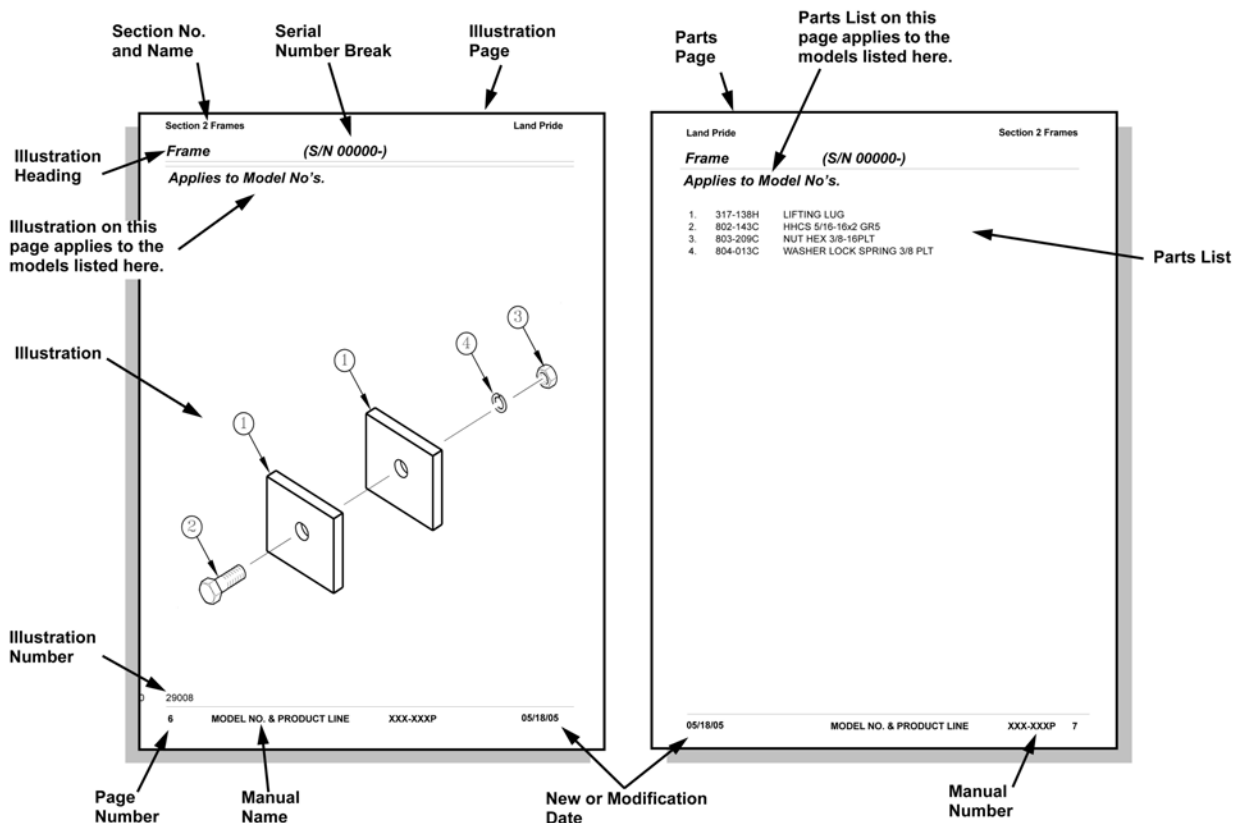
Manual Replacement Information

Replacement manuals are available. Refer to our website at www.landpride.com or e-mail us at lit@landpride.com for additional information. Our website continues to provide the most up-to-date manuals available.

Touch-up Paint

Repaint parts where paint is worn or scratched to prevent rust. Aerosol cans and touch-up bottles with brush applicator are available through your local dealer. Also available are quart and gallon size paints. Add QT or GL to end of the Aerosol P/N.

Land Pride color descriptions and part numbers are listed on the "Land Pride Touch-up Paints" page in the "Decals" section of this book. Color options vary by product.



General Information

Hardware Legend

AR	As Required
BLADE	Blade Bolt
C	Cap Screw
CP	Cotter Pin
CPHSSS	Cup Point Hex Socket Set Screw
CPSHSS	Cup Point Square Head Set Screw
CPSQHSS	Cup Point Square Head Set Screw
CRFCHMS3	Cross Recess Flat Countersunk Head Machine Screw
CRPHMS	Cross Recess Pan Head Machine Screw
CRPHTF	Cross Recess Pan Head Thread Forming
CRRHMS	Cross Recess Round Head Machine Screw
CRTHMS	Cross Recess Truss Head Machine Screw
CSNB	Countersunk Square Neck Bolt
FHMS	Flat Head Machine Screw
FTC	Full Thread Cap Screw
H	Hex Nut
HCLN	Hex Center Lock Nut
HFLCS	Hex Flange Lock Cap Screw
HFS	Hex Flange Screw
HFSLN	Hex Flange Serrated Lock Nut
HFSS	Hex Flange Serrated Screw
HHCS	Hex Head Cap Screw or Metric Bolt
HSBHCS	Hex Socket Button Head Cap Screw
HSFCHCS	Hex Socket Flat Countersunk Head Cap Screw
HSHCS	Hex Socket Head Cap Screw
HSSS	Hex Socket Head Screw
HTLN	Hex Top Lock Nut
HWHCS	Hex Washer Head Cap Screw

HWHMS	Hex Washer Head Machine Screw
HXBHCS	Hex Socket Button Head Cap Screw
J	Hex Jam Nut
JIC	37 Degree Tapered Thread
L	Helical Spring Lock Washer
LUG	Lug Bolt
NFC	National Fine Cap Screw
NPSM	National Pipe Straight Mechanical
NPTF	National Pipe Taper Fuel
P	Wide Plain Washer
PHMS	Pan Head Machine Screw
PLOW	Plow Bolt
RHMS	Round Head Machine Screw
RHSNB	Round Head Square Neck Bolt
SCREW LEVELING	Leveling Screw
SCREW THUMB	Thumb Screw
SCREW WELD	Weld Screw
SFCHMS	Slotted Flat Countersunk Head Machine Screw
SFHMS	Slotted Fillister Head Machine Screw
SP	Special
SP SCREW	Special Screw
SQHSS	Square Head Set Screw
SRHMS	Slotted Round Head Machine Screw
SSS	Socket Set Screw
STCS	Self Tapping Cap Screw
STHMS	Slotted Truss Head Machine Screw
WHEEL	Wheel Studs and Hub Long Bolts
WING	Wing Bolt

Replacement Hardware

The **Hardware Legend** above lists hardware abbreviations used in the parts list. All bolts and nuts are Grade 5 unless otherwise noted. The use of improper grades of hardware can result in personal injury, damage to equipment, or loss of property.

Colored Replacement Parts

Land Pride offers replacement parts in factory standard colors and also on select models in Green, Orange, Red and Blue. Because of the variety of colors available, special attention must be given to the part number to prevent ordering the wrong replacement part.

A suffix number corresponding to one of the colors below must be added at the end of Land Pride's part number when ordering a replacement part with that color.

81 Green 83 Red
82 Orange 84 Blue

For example, if you are ordering a replacement part with part number 555-555C and the part you need is red, then add the suffix 83 to the end of the number to make the part number read 555-555C83. Parts ordered without a suffix number will be supplied in factory standard colors.

Black Replacement Parts

Some parts are factory standard black and some must be special ordered black. If your part is special ordered black, a second part number with the additional suffix number 85 on the end will be available. In this situation you must order that part with the suffix number for it to be black. Parts that are factory standard black will not have the suffix number.

Part Number Service Coding

Within the parts list some part numbers are coded for revisions and interchangeability. See notations in revision column.

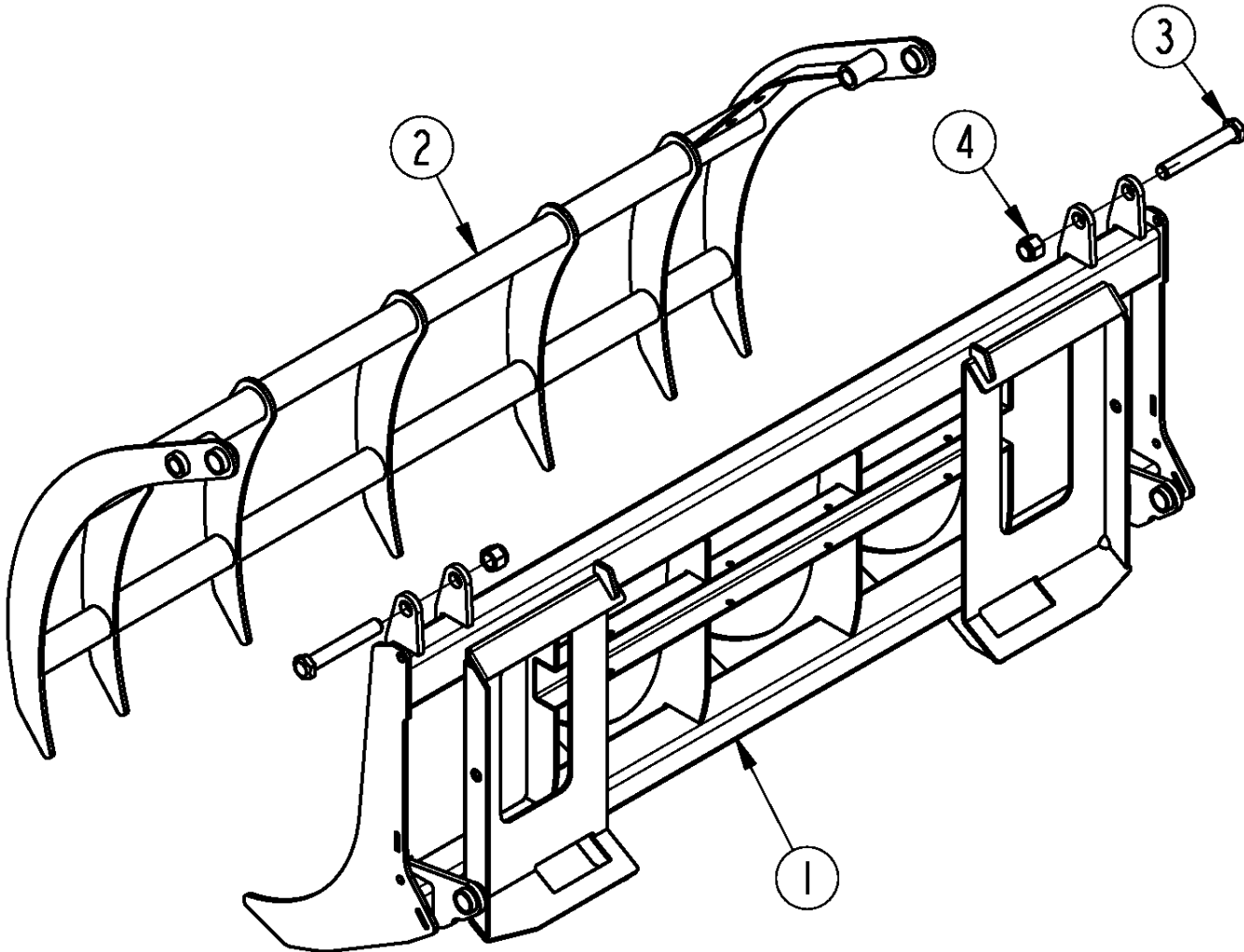
Serial Numbers

Always use the serial and model number when ordering parts. Refer to the Operator's Manual for serial number plate location.

- | | |
|----------------------|--|
| (S/N 20001+) | Includes serial numbers 20001 and above (to the latest number) |
| (S/N 10001 to 20000) | Includes serial numbers between and including 10001 and 20000 |
| (S/N 10000-) | Includes serial numbers 10000 and below (to the earliest number) |

Grapple & Claw Frame

Applies to SGC0554



70022

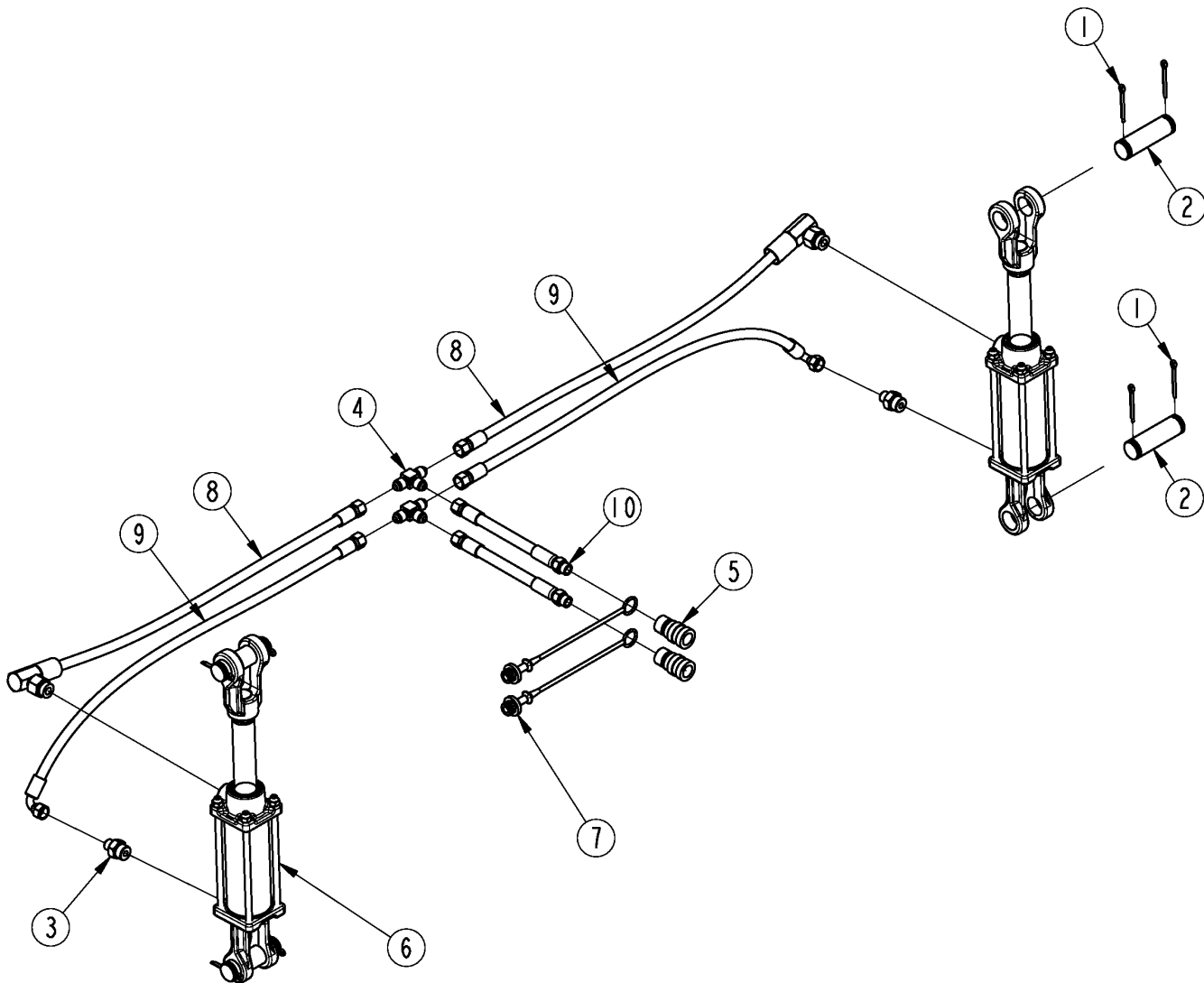
Grapple & Claw Frame

Applies to SGC0554

Ref	Part No.	Part Description	Comments	Revision
	dwg 70022	Drawing Image Number		
1.	380-271H	54" GRAPPLE FRAME		
2.	380-272H	GRAPPLE JAW		
3.	802-069C	HHCS 3/4-10X5 GR5		
4.	803-025C	NUT HEX 3/4-10 PLT NYLOCK		

Hydraulic Components

Applies to SGC0554



70023

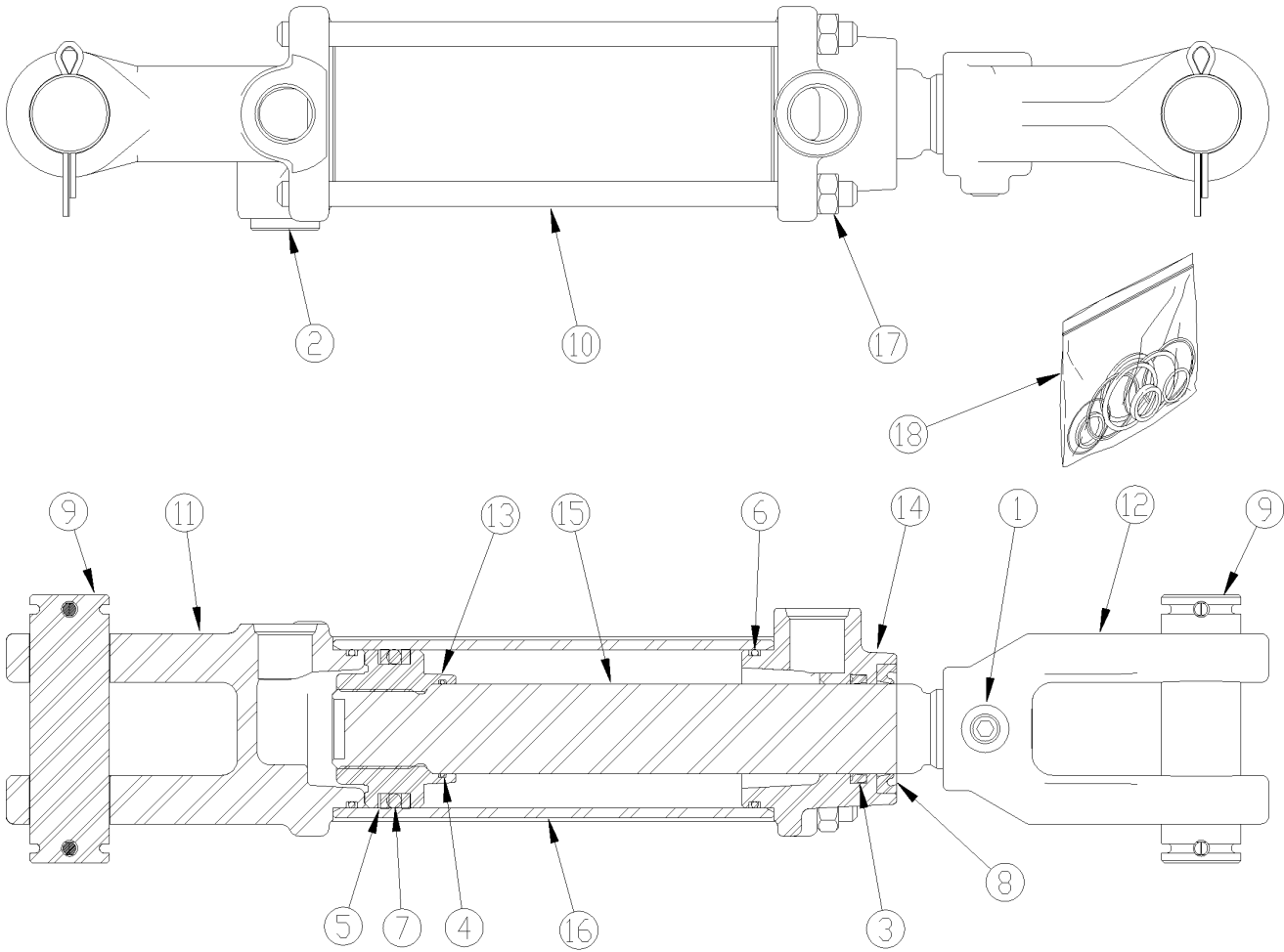
Hydraulic Components

Applies to SGC0554

Ref	Part No.	Part Description	Comments	Revision
	dwg 70023	Drawing Image Number		
1.	235005	MON PIN KIT 1.00C/W COTTER PIN		
2.	235005	MON PIN KIT 1.00C/W COTTER PIN		
3.	811-133C	AD 9/16MJIC 3/4MORB		
4.	811-312C	TE 9/16MJIC		
5.	841-466C	CP 9/16FORB QD 1/4BODY FEMALE		
6.	850-230C	CYL 2X4X1.12		
7.	851-977C	DUST PLUG, 1/4" QD AG		
8.	861-026C	HH1/4R2 26 9/16FJIC 3/4MORB90S		
9.	861-027C	HH1/4R2 26 9/16FJIC 9/16FJIC90		
10.	861-088C	HH1/4R2 42 9/16FJIC 9/16MORB		

Hydraulic Cylinder (810-961C)

Applies to SGC0554



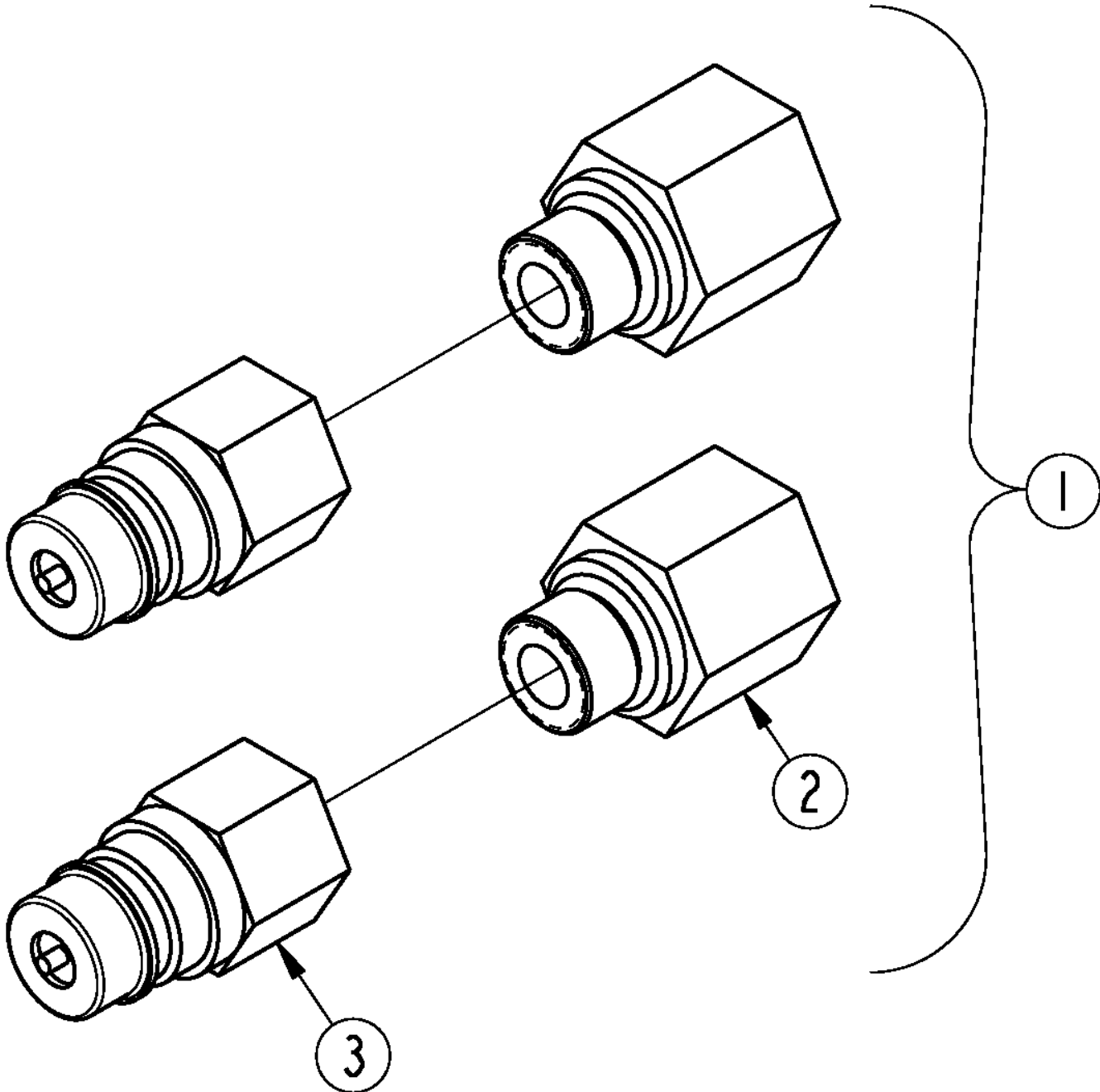
35820

Hydraulic Cylinder (810-961C)**Applies to SGC0554**

Ref	Part No.	Part Description	Comments	Revision
	Dwg 35820 810-961C	Drawing Image Number CYL 2X4X1.12 *		
1.	148000	MON SET SCREW 3/8INC ONE PIECE		
2.	186562	LION PLUG 3/4-16UNF SOCKET HD		
3.	N/A	MON SEAL HALLITE 605 ROD 1.13		
4.	N/A	MON O-RING 024 1.125X1.225 N90		
5.	N/A	MON SEAL BU#326 19PI-326		
6.	N/A	MON O-RING 133 1.812X2 BUNA D9		
7.	N/A	MON O-RING 326 1.63X2 D90		
8.	N/A	LION WIPER SEAL		
9.	235005	MON PIN KIT 1.00C/W COTTER PIN		
10.	292519	MON TIE ROD 5/16-04-TX		
11.	293008	MON CLEVIS CAP 2.00-3/4ORD-1.0		
12.	293009	MON ROD CLEVIS 1.00-1.00 TX		
13.	293010	MON PISTON 2.00 TX		
14.	293016	MON ROD CAP 2.00-1.13-3/4 ORB		
15.	497519	MON ROD CYL 1.12-04-1.00		
16.	498523	MON TUBE CYL 2.00-04.00-TX		
17.	803-008C	NUT HEX 5/16-18 PLT		
18.	810-883C	MON SEAL KIT 620271		

Kubota 3rd Function Valve Couplers

Applies to SGC0554



70026

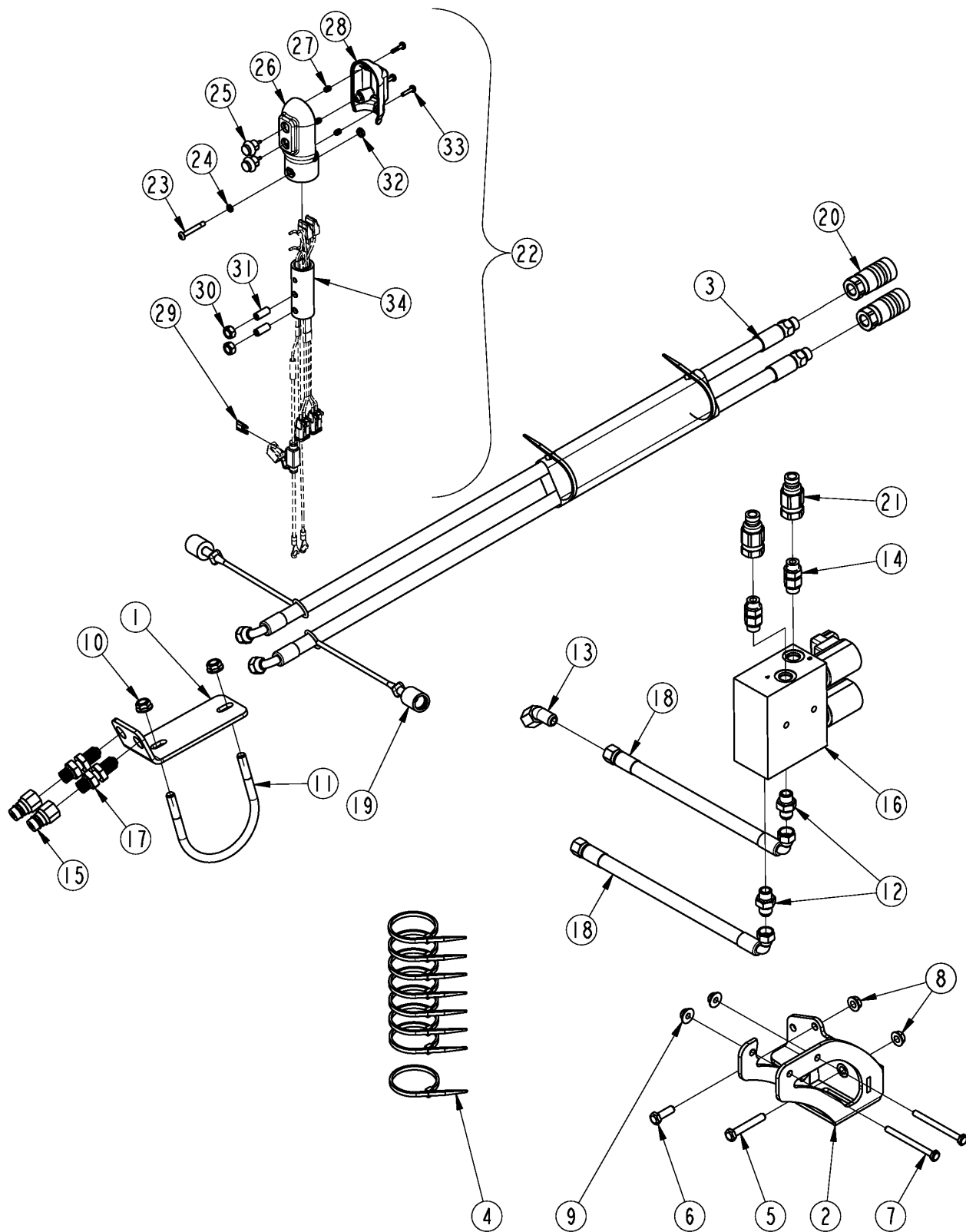
Kubota 3rd Function Valve Couplers

Applies to SGC0554

Ref	Part No.	Part Description	Comments	Revision
	Dwg 70026	Drawing Image Number		
1.	380-281A	KUBOTA 3RD FUNCT VALVE CPLRS		
2.	811-801C	ADAPTER 9/16MORB 3/8FNPT		
3.	841-467C	CP 9/16 FORB QD 1/4 BODY MALE		

Valve Kit BX80 Third Function 380-289A

Applies to SGC0554



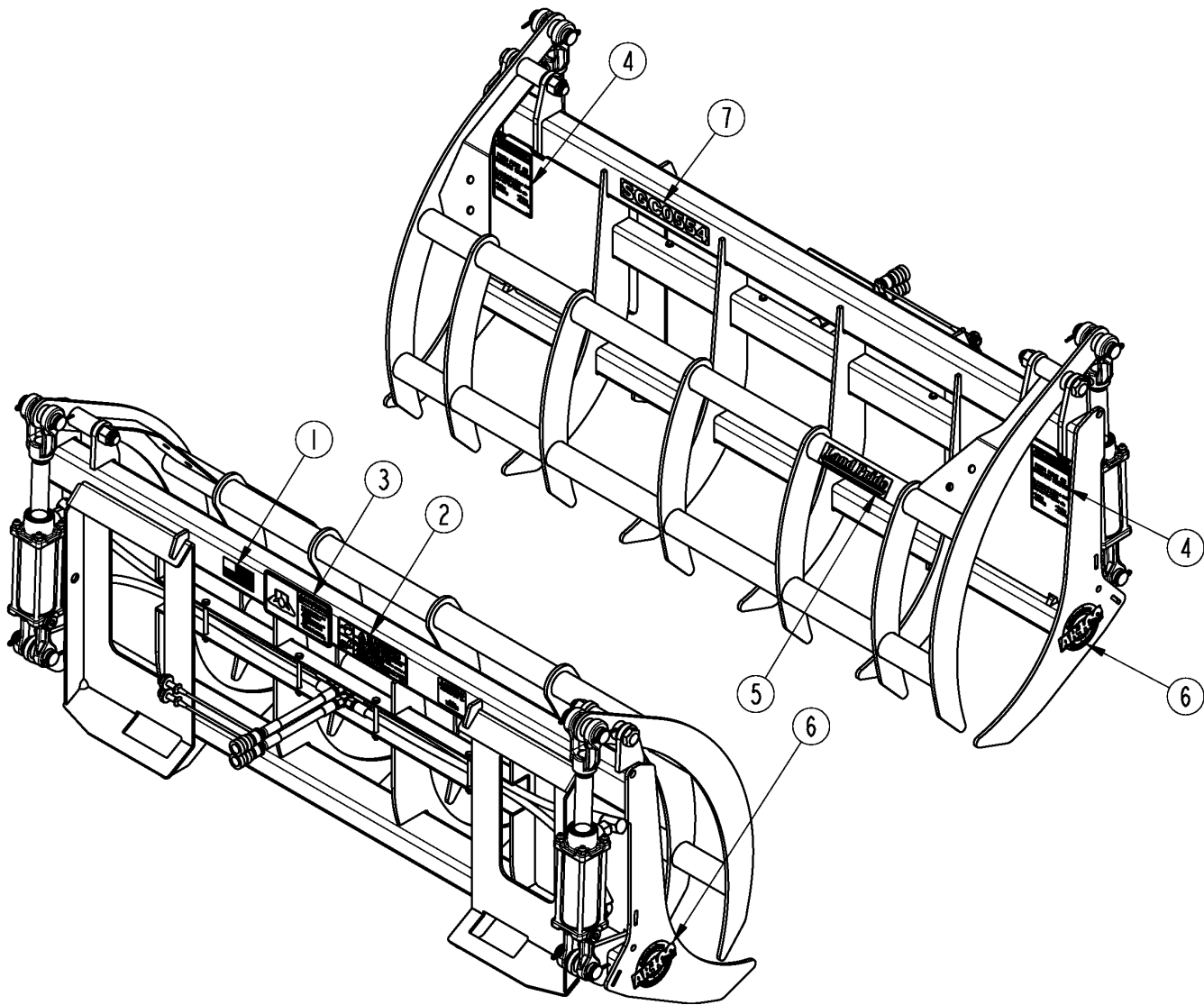
70903

Valve Kit BX80 Third Function 380-289A**Applies to SGC0554**

Ref	Part No.	Part Description	Comments	Revision
	dwg 70903	Drawing Image Number		
	380-289A	VALVE KIT BX80 3RD FNCTION		
1.	380-223D	PLATE, BX BLKHD MOUNT		
2.	380-303H	MNT BKT, BX80 3RD VALVE		
3.	381-170L	ASY, BX80 3RD VLV LOADER HOSE		
4.	800-112C	CABLE TIE .19X7.25 1.75D 50LB		
5.	802-115C	HHCS 5/16-18X2 GR5		
6.	802-159C	HHCS 5/16-18X1 GR5		
7.	802-274C	HHCS 1/4-20X3 GR5		
8.	803-043C	NUT HEX WHIZ 5/16-18 PLT		
9.	803-088C	NUT HEX LOCK 1/4-20 FLG		
10.	803-198C	NUT HEX WHIZ 3/8-16 PLT		
11.	806-256C	U-BOLT 3/8-16X3 1/2X4 1/8 RND		
12.	811-170C	AD 9/16MORB 9/16MJIC		
13.	811-397C	EL 45 9/16MJIC 9/16FJIC		
14.	811-636C	AD 9/16MORB STRAIGHT UNION		
15.	841-467C	CP 9/16 FORB QD 1/4 BODY MALE		
16.	850-313C	VALVE, THIRD FUNCTION (DELTA)		
17.	851-276C	AD 9/16MJIC9/16MORB BLKHD W/LN		
18.	851-959C	HH1/4R2 58 9/16FJIC 9/16FJIC90		
19.	851-976C	DUST CAP, 1/4" QD AG		
20.	861-287C	CP 9/16FORB QD 1/4 BODY FEMALE		
21.	861-288C	CP 9/16FORB QD 1/4 BODY MALE		
22.	380-302S	ASY, PUSH BUTTON CNTRL HNDL		
23.	801-250C	HSBHCS #10-32X1 3/8		
24.	804-054C	WASHER LOCK #10		
25.	833-739C	SWITCH, P9 PB NO SPST MOM RED		
26.	837-054C	BASE, PUSH BUTTON CNTRL HNDL		
27.	99362A300	6-32 BRASS TAPPING INSERT		
28.	837-053C	COVER, PUSH BUTTON CNTRL HNDL		
29.	833-495C	FUSE, 10 AMP MINI BLADE		
30.	803-008C	NUT HEX 5/16-18 PLT		
31.	801-204C	SCREW SET SCKT HD 5/16-18X3/4		
32.	803-269C	NUT HEX 10-32 PLT		
33.	801-091C	CRPHMS 6-32X5/8 SS		
34.	380-225D	MOUNT TUBE, CONTROL STICK		

Decal Placement

Applies to SGC0554



70024

Decal Placement

Applies to SGC0554

Ref	Part No.	Part Description	Comments	Revision
	dwg 70024	Drawing Image Number		
1.	818-190C	DECAL FLAG		
2.	838-094C	DECAL WARNING HYD PRESS LONG		
3.	838-293C	DECAL WARNING READ MANUAL		
4.	838-378C	DECAL WARNING PINCH/CRUSH		
5.	838-967C	DECAL LANDPRIDE 6" BROWN/GOLD		
6.	858-108C	DECAL, AR400 STEEL		
7.	858-813C	DECAL, SGC0554 GOLD		



Part Number Index

The Part Number Index is a numeric index of all part numbers included in this manual. The index shows what page(s) the part is used on.

Part Number	Page	Part Number	Page
148000	11	dwg 70023	9
186562	11	dwg 70024	17
235005	9, 11	Dwg 70026	13
292519	11	dwg 70903	15
293008	11	N/A	11
293009	11		
293010	11		
293016	11		
380-223D	15		
380-225D	15		
380-271H	7		
380-272H	7		
380-281A	13		
380-289A	15		
380-302S	15		
380-303H	15		
381-170L	15		
497519	11		
498523	11		
800-112C	15		
801-091C	15		
801-204C	15		
801-250C	15		
802-069C	7		
802-115C	15		
802-159C	15		
802-274C	15		
803-008C	11, 15		
803-025C	7		
803-043C	15		
803-088C	15		
803-198C	15		
803-269C	15		
804-054C	15		
806-256C	15		
810-883C	11		
810-961C	11		
811-133C	9		
811-170C	15		
811-312C	9		
811-397C	15		
811-636C	15		
811-801C	13		
818-190C	17		
833-495C	15		
833-739C	15		
837-053C	15		
837-054C	15		
838-094C	17		
838-293C	17		
838-378C	17		
838-967C	17		
841-466C	9		
841-467C	13, 15		
850-230C	9		
850-313C	15		
851-276C	15		
851-959C	15		
851-976C	15		
851-977C	9		
858-108C	17		
858-813C	17		
861-026C	9		
861-027C	9		
861-088C	9		
861-287C	15		
861-288C	15		
99362A300	15		
Dwg 35820	11		
dwg 70022	7		

This Page Intentionally Left Blank



Great Plains Manufacturing, Inc.

Corporate Office: P.O. Box 5060
Salina, Kansas 67402-5060 USA

www.landpride.com
