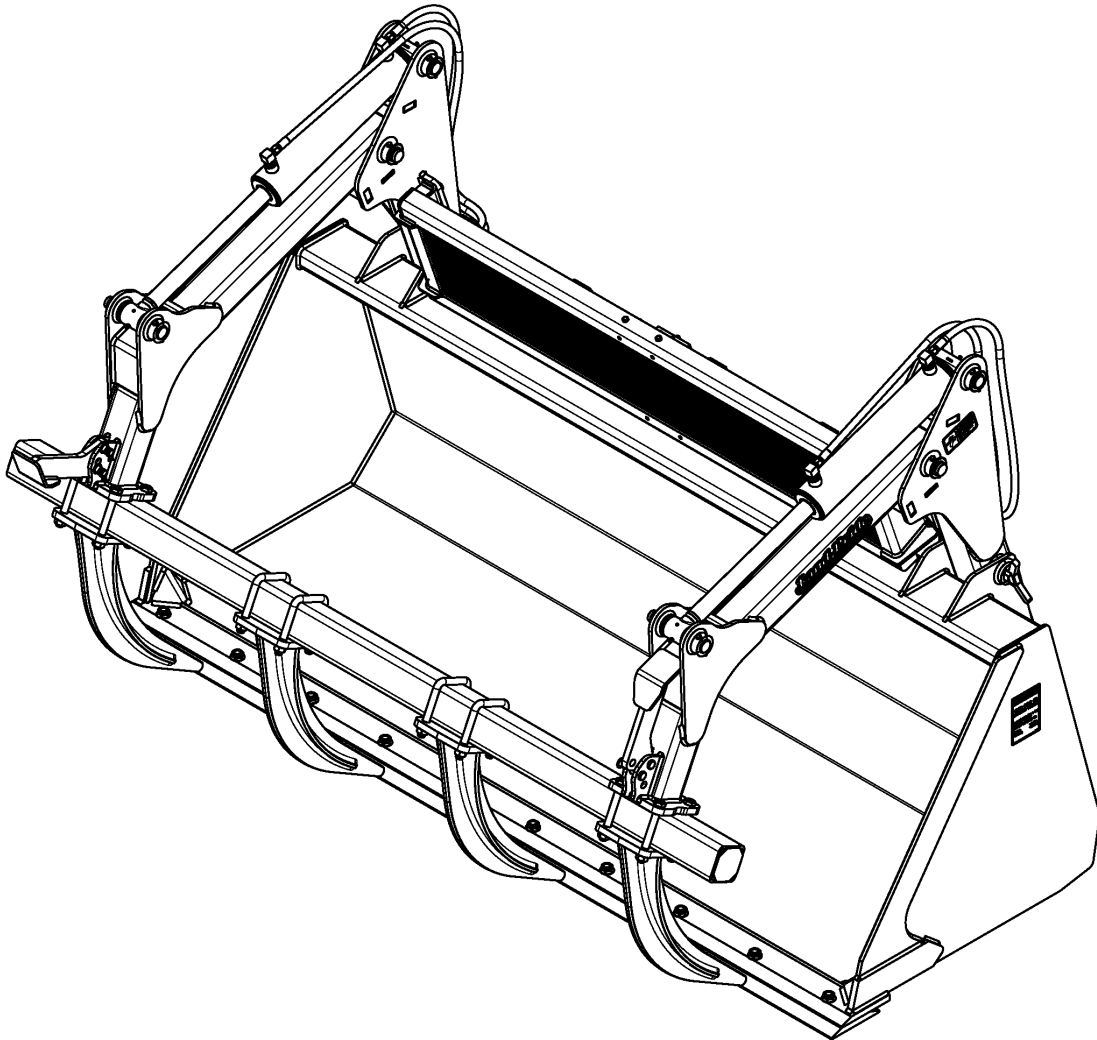


Grapple Buckets

GB(E)2590, GB(E)2596 & GB(E)25108



39324

380-192P
Parts Manual



Read the Operator's Manual entirely. When you see this symbol, the subsequent instructions and warnings are serious - follow without exception. Your life and the lives of others depend on it!

© Copyright 2019 Printed 03/07/19

Cover photo may show optional equipment not supplied with standard unit.





Table of Contents

Section 1: Introduction.....	4
Using This Manual.....	4
Manual Replacement Information.....	4
Manual Revisions.....	4
Touch-up Paint.....	4
Hardware Legend.....	5
Replacement Hardware.....	5
Serial Numbers.....	5
Part Number Service Coding.....	5
Section 2: Main Assembly.....	6
Bucket.....	6
Grapple Frame Components.....	8
Grapple Hydraulic Components.....	12
Hydraulic Cylinder (850-070C).....	14
Section 3: Options & Accessories.....	16
Counterbalance Valve.....	16
Cutting Edge.....	18
Section 4: Decals.....	20
Decals.....	20
Land Pride Touch-up Paints.....	22
Part Number Index.....	24

© Copyright 2019. All rights reserved.

Land Pride provides this publication “as is” without warranty of any kind, either expressed or implied. While every precaution has been taken in the preparation of this manual, Land Pride assumes no responsibility for errors or omissions. Neither is any liability assumed for damages resulting from the use of the information contained herein. Land Pride reserves the right to revise and improve its products as it sees fit. This publication describes the state of this product at the time of its publication, and may not reflect the product in the future. The illustrations in this manual are not intended for safe and proper assembly or disassembly of equipment. The illustrations are intended for ordering parts only.

Land Pride is registered trademark.

All other brands and product names are trademarks or registered trademarks of their respective holders.

Printed in the United States of America.



Alphabetized Table of Contents

B	
Bucket.....	6
C	
Counterbalance Valve.....	16
Cutting Edge.....	18
D	
Decals.....	20
G	
Grapple Frame Components.....	8
Grapple Hydraulic Components.....	12
H	
Hydraulic Cylinder (850-070C).....	14
L	
Land Pride Touch-up Paints.....	22

General Information

Using This Manual

This manual is divided into sections. The first section contains General Information. The remaining sections divide the machine into segments (i.e. Frames, Drives, Hydraulics, etc.) which illustrate and list all parts. A Parts Number Index is located at the back of the book.

The Land Pride parts in this manual are specially designed for this machine and should be replaced with Land Pride parts only.

The information in this manual is current at time of printing. Some parts may change to assure top performance.

Right-hand and left-hand as used in this manual are determined by facing the direction the machine will travel while in use.

Below is an example of two facing pages from a parts manual. Familiarize yourself with the type of information contained on these pages.

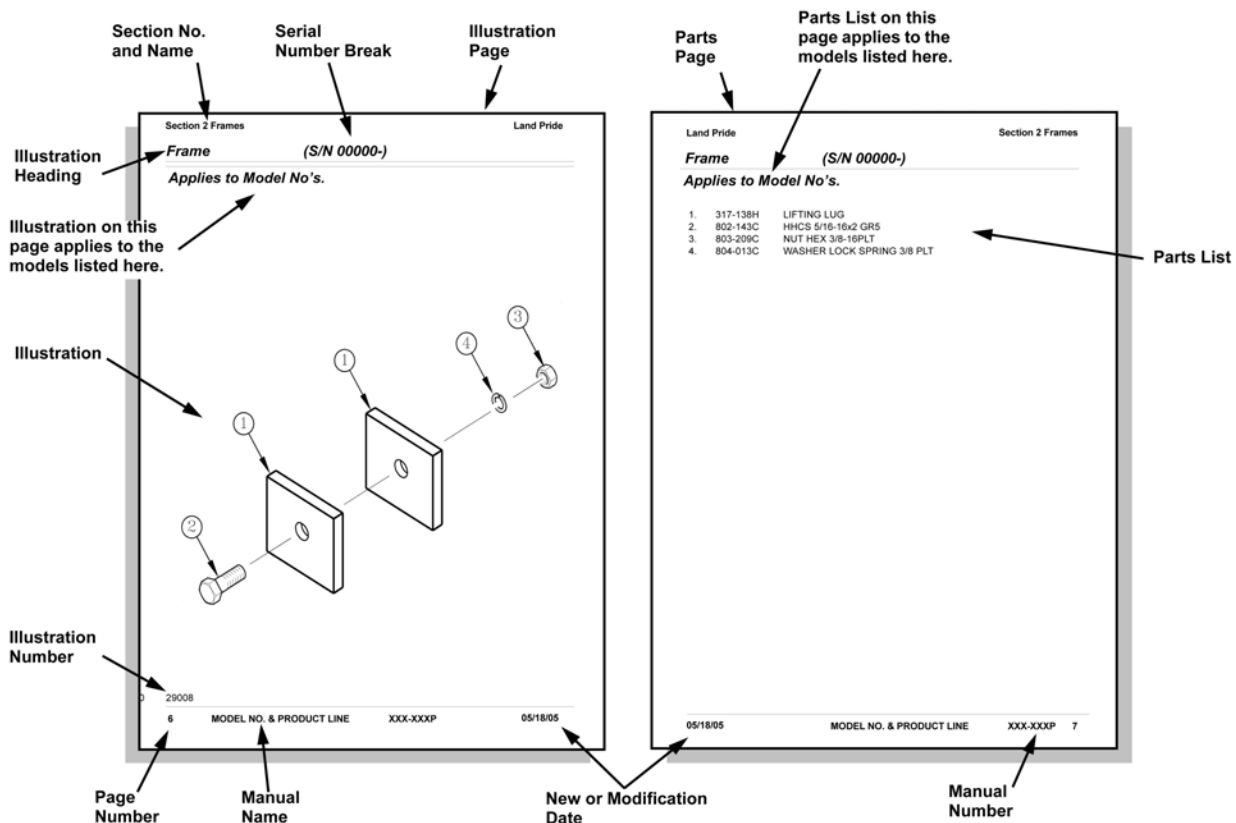
Manual Replacement Information

Replacement manuals are available. Refer to our website at www.landpride.com or e-mail us at lit@landpride.com for additional information. Our website continues to provide the most up-to-date manuals available.

Touch-up Paint

Repaint parts where paint is worn or scratched to prevent rust. Aerosol cans and touch-up bottles with brush applicator are available through your local dealer. Also available are quart and gallon size paints. Add QT or GL to end of the Aerosol P/N.

Land Pride color descriptions and part numbers are listed on the "Land Pride Touch-up Paints" page in the "Decals" section of this book. Color options vary by product.



General Information

Hardware Legend

AR	As Required
BLADE	Blade Bolt
C	Cap Screw
CP	Cotter Pin
CPHSSS	Cup Point Hex Socket Set Screw
CPSHSS	Cup Point Square Head Set Screw
CPSQHSS	Cup Point Square Head Set Screw
CRFCHMS3	Cross Recess Flat Countersunk Head Machine Screw
CRPHMS	Cross Recess Pan Head Machine Screw
CRPHTF	Cross Recess Pan Head Thread Forming
CRRHMS	Cross Recess Round Head Machine Screw
CRTHMS	Cross Recess Truss Head Machine Screw
CSNB	Countersunk Square Neck Bolt
FHMS	Flat Head Machine Screw
FTC	Full Thread Cap Screw
H	Hex Nut
HCLN	Hex Center Lock Nut
HFLCS	Hex Flange Lock Cap Screw
HFS	Hex Flange Screw
HFSLN	Hex Flange Serrated Lock Nut
HFSS	Hex Flange Serrated Screw
HHCS	Hex Head Cap Screw or Metric Bolt
HSBHCS	Hex Socket Button Head Cap Screw
HSFCHCS	Hex Socket Flat Countersunk Head Cap Screw
HSHCS	Hex Socket Head Cap Screw
HSSS	Hex Socket Head Screw
HTLN	Hex Top Lock Nut
HWHCS	Hex Washer Head Cap Screw

HWHMS	Hex Washer Head Machine Screw
HXBHCS	Hex Socket Button Head Cap Screw
J	Hex Jam Nut
JIC	37 Degree Tapered Thread
L	Helical Spring Lock Washer
LUG	Lug Bolt
NFC	National Fine Cap Screw
NPSM	National Pipe Straight Mechanical
NPTF	National Pipe Taper Fuel
P	Wide Plain Washer
PHMS	Pan Head Machine Screw
PLOW	Plow Bolt
RHMS	Round Head Machine Screw
RHSNB	Round Head Square Neck Bolt
SCREW LEVELING	Leveling Screw
SCREW THUMB	Thumb Screw
SCREW WELD	Weld Screw
SFCHMS	Slotted Flat Countersunk Head Machine Screw
SFHMS	Slotted Fillister Head Machine Screw
SP	Special
SP SCREW	Special Screw
SQHSS	Square Head Set Screw
SRHMS	Slotted Round Head Machine Screw
SSS	Socket Set Screw
STCS	Self Tapping Cap Screw
STHMS	Slotted Truss Head Machine Screw
WHEEL	Wheel Studs and Hub Long Bolts
WING	Wing Bolt

Replacement Hardware

The **Hardware Legend** above lists hardware abbreviations used in the parts list. All bolts and nuts are Grade 5 unless otherwise noted. The use of improper grades of hardware can result in personal injury, damage to equipment, or loss of property.

Colored Replacement Parts

Land Pride offers replacement parts in factory standard colors and also on select models in Green, Orange, Red and Blue. Because of the variety of colors available, special attention must be given to the part number to prevent ordering the wrong replacement part.

A suffix number corresponding to one of the colors below must be added at the end of Land Pride's part number when ordering a replacement part with that color.

81 Green 83 Red
82 Orange 84 Blue

For example, if you are ordering a replacement part with part number 555-555C and the part you need is red, then add the suffix 83 to the end of the number to make the part number read 555-555C83. Parts ordered without a suffix number will be supplied in factory standard colors.

Black Replacement Parts

Some parts are factory standard black and some must be special ordered black. If your part is special ordered black, a second part number with the additional suffix number 85 on the end will be available. In this situation you must order that part with the suffix number for it to be black. Parts that are factory standard black will not have the suffix number.

Part Number Service Coding

Within the parts list some part numbers are coded for revisions and interchangeability. See notations in revision column.

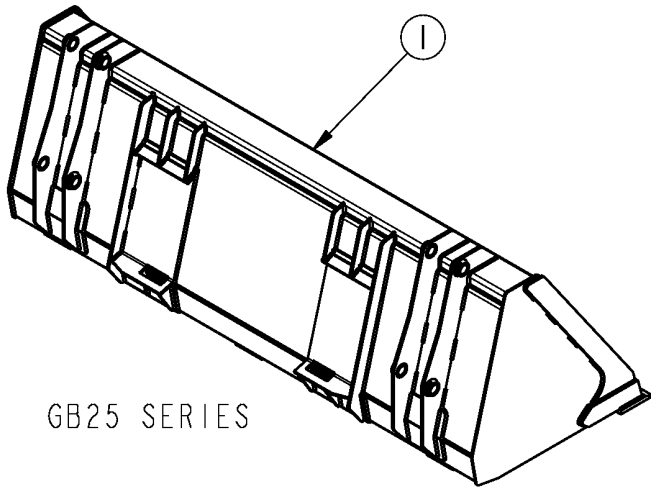
Serial Numbers

Always use the serial and model number when ordering parts. Refer to the Operator's Manual for serial number plate location.

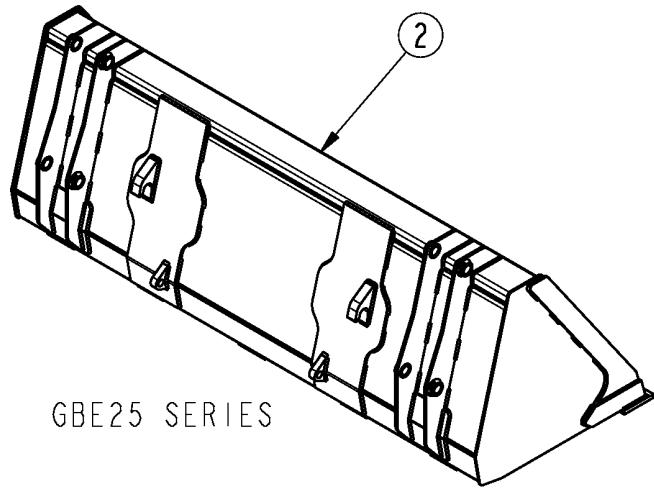
- | | |
|----------------------|--|
| (S/N 20001+) | Includes serial numbers 20001 and above (to the latest number) |
| (S/N 10001 to 20000) | Includes serial numbers between and including 10001 and 20000 |
| (S/N 10000-) | Includes serial numbers 10000 and below (to the earliest number) |

Bucket

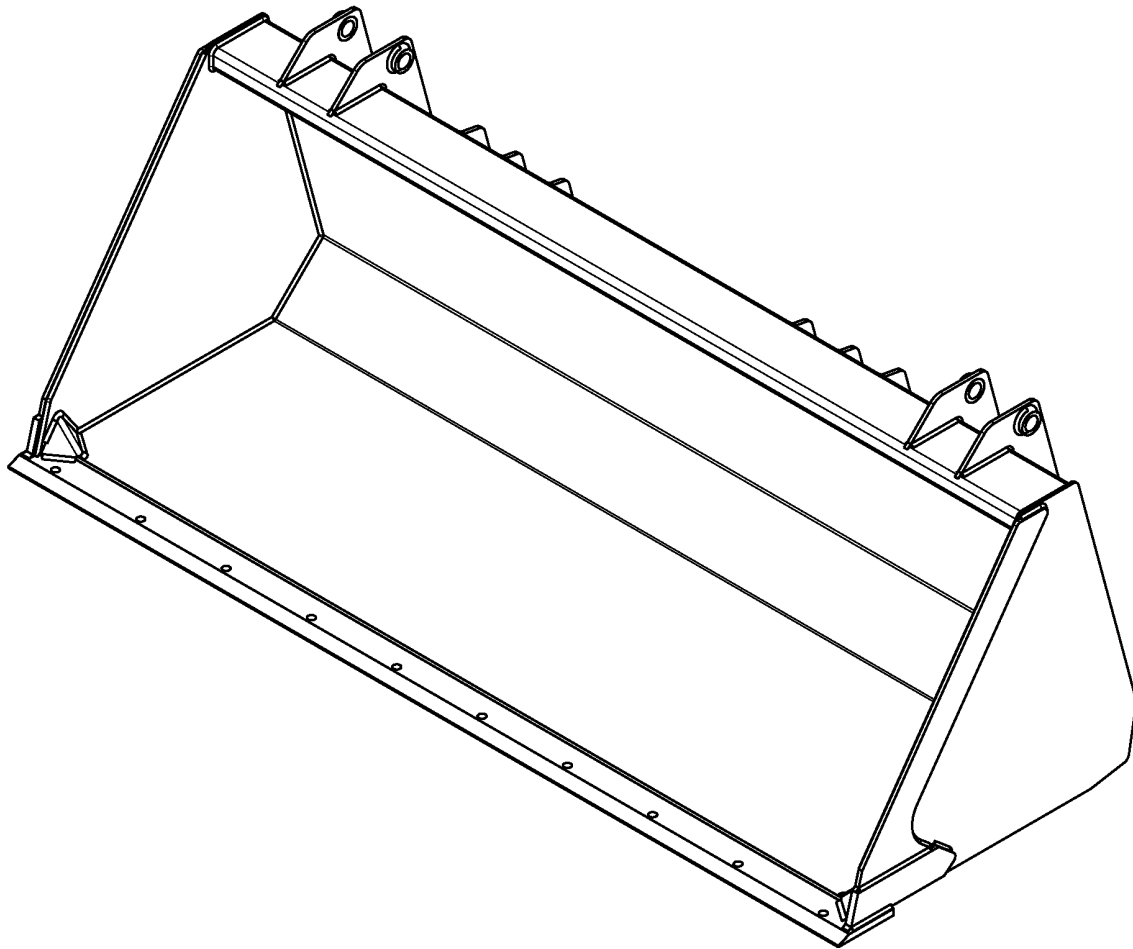
Applies to GB25108, GB2590, GB2596, GBE25108, GBE2590, GBE2596



GB25 SERIES



GBE25 SERIES



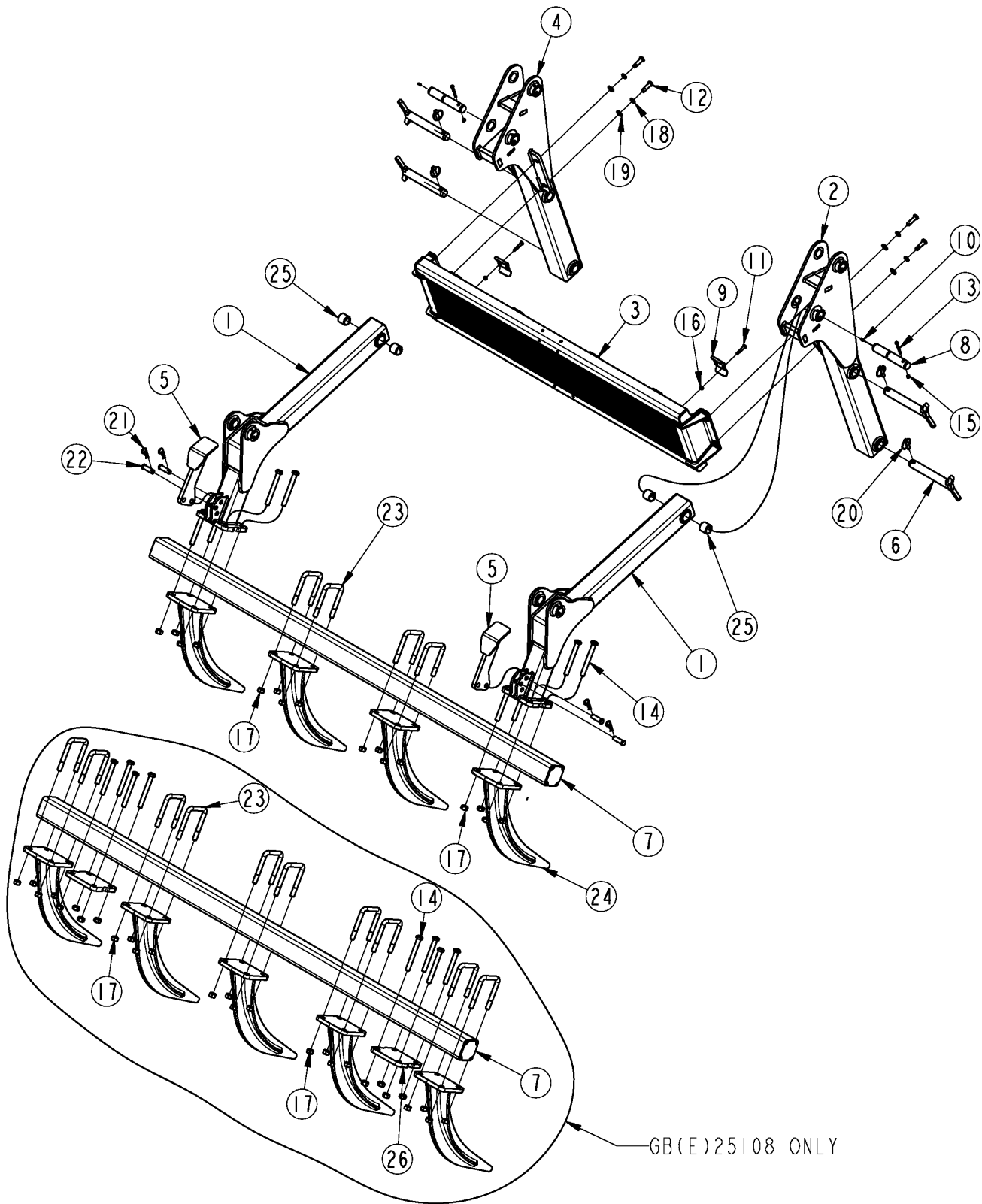
39328

Bucket**Applies to GB25108, GB2590, GB2596, GBE25108, GBE2590, GBE2596**

Ref	Part No.	Part Description	Comments	Revision
	Dwg 39328	Image No.		
1.	380-201H81	WMT, 90 GRAPPLE BUCKET GREEN	For GB2590 (Green)	
1.	380-201H82	WMT, 90 GRAPPLE BUCKET ORANGE	For GB2590 (Orange)	
1.	380-201H83	WMT, 90 GRAPPLE BUCKET RED	For GB2590 (Red)	
1.	380-201H84	WMT, 90 GRAPPLE BUCKET BLUE	For GB2590 (Blue)	
1.	380-201H85	WMT, 90 GRAPPLE BUCKET BLACK	For GB2590 (Black)	
1.	380-262H81	WMT, 96 GRAPPLE BUCKET GREEN	For GB2596 (Green)	
1.	380-262H82	WMT, 96 GRAPPLE BUCKET ORANGE	For GB2596 (Orange)	
1.	380-262H83	WMT, 96 GRAPPLE BUCKET RED	For GB2596 (Red)	
1.	380-262H84	WMT, 96 GRAPPLE BUCKET BLUE	For GB2596 (Blue)	
1.	380-262H85	WMT, 96 GRAPPLE BUCKET BLACK	For GB2596 (Black)	
1.	380-263H81	WMT, 108 GRAPPLE BUCKET GREEN	For GB25108 (Green)	
1.	380-263H82	WMT, 108 GRAPPLE BUCKET ORANGE	For GB25108 (Orange)	
1.	380-263H83	WMT, 108 GRAPPLE BUCKET RED	For GB25108 (Red)	
1.	380-263H84	WMT, 108 GRAPPLE BUCKET BLUE	For GB25108 (Blue)	
1.	380-263H85	WMT, 108 GRAPPLE BUCKET BLACK	For GB25108 (Black)	
2.	380-184H81	WMT, 90 GRAPPLE BUCKET GREEN	For GBE2590 (Green)	
2.	380-184H82	WMT, 90 GRAPPLE BUCKET ORANGE	For GBE2590 (Orange)	
2.	380-184H83	WMT, 90 GRAPPLE BUCKET RED	For GBE2590 (Red)	
2.	380-184H84	WMT, 90 GRAPPLE BUCKET BLUE	For GBE2590 (Blue)	
2.	380-184H85	WMT, 90 GRAPPLE BUCKET BLACK	For GBE2590 (Black)	
2.	380-183H81	WMT, 96 GRAPPLE BUCKET GREEN	For GBE2596 (Green)	
2.	380-183H82	WMT, 96 GRAPPLE BUCKET ORANGE	For GBE2596 (Orange)	
2.	380-183H83	WMT, 96 GRAPPLE BUCKET RED	For GBE2596 (Red)	
2.	380-183H84	WMT, 96 GRAPPLE BUCKET BLUE	For GBE2596 (Blue)	
2.	380-183H85	WMT, 96 GRAPPLE BUCKET BLACK	For GBE2596 (Black)	
2.	380-170H81	WMT, 108 GRAPPLE BUCKET GREEN	For GBE25108 (Green)	
2.	380-170H82	WMT, 108 GRAPPLE BUCKET ORANGE	For GBE25108 (Orange)	
2.	380-170H83	WMT, 108 GRAPPLE BUCKET RED	For GBE25108 (Red)	
2.	380-170H84	WMT, 108 GRAPPLE BUCKET BLUE	For GBE25108 (Blue)	
2.	380-170H85	WMT, 108 GRAPPLE BUCKET BLACK	For GBE25108 (Black)	

Grapple Frame Components

Applies to GB25108, GB2590, GB2596, GBE25108, GBE2590, GBE2596



39326

Grapple Frame Components**Applies to GB25108, GB2590, GB2596, GBE25108, GBE2590, GBE2596**

Ref	Part No.	Part Description	Comments	Revision
	Dwg 39326	Image No.		
1.	380-171H81	WMT, GRAPPLE ARM GREEN	Green	
1.	380-171H82	WMT, GRAPPLE ARM ORANGE	Orange	
1.	380-171H83	WMT, GRAPPLE ARM RED	Red	
1.	380-171H84	WMT, GRAPPLE ARM BLUE	Blue	
1.	380-171H85	WMT, GRAPPLE ARM BLACK	Black	
2.	380-175H81	WMT, LH GRAPPLE TOWER GREEN	Green	
2.	380-175H82	WMT, LH GRAPPLE TOWER ORANGE	Orange	
2.	380-175H83	WMT, LH GRAPPLE TOWER RED	Red	
2.	380-175H84	WMT, LH GRAPPLE TOWER BLUE	Blue	
2.	380-175H85	WMT, LH GRAPPLE TOWER BLACK	Black	
3.	380-176H81	WMT, SPILL SCREEN GREEN	Green	
3.	380-176H82	WMT, SPILL SCREEN ORANGE	Orange	
3.	380-176H83	WMT, SPILL SCREEN RED	Red	
3.	380-176H84	WMT, SPILL SCREEN BLUE	Blue	
3.	380-176H85	WMT, SPILL SCREEN BLACK	Black	
4.	380-177H81	WMT, RH GRAPPLE TOWER GREEN	Green	
4.	380-177H82	WMT, RH GRAPPLE TOWER ORANGE	Orange	
4.	380-177H83	WMT, RH GRAPPLE TOWER RED	Red	
4.	380-177H84	WMT, RH GRAPPLE TOWER BLUE	Blue	
4.	380-177H85	WMT, RH GRAPPLE TOWER BLACK	Black	
5.	380-178H81	WMT, PARK STAND GREEN	Green	
5.	380-178H82	WMT, PARK STAND ORANGE	Orange	
5.	380-178H83	WMT, PARK STAND RED	Red	
5.	380-178H84	WMT, PARK STAND BLUE	Blue	
5.	380-178H85	WMT, PARK STAND BLACK	Black	
6.	380-181H	WMT, MNT PIN		
7.	380-190H81	WMT, GRAPPLE CROSS TUBE GREEN	Green	
7.	380-190H82	WMT, GRAPPLE CROSS TUBE ORANGE	Orange	
7.	380-190H83	WMT, GRAPPLE CROSS TUBE RED	Red	
7.	380-190H84	WMT, GRAPPLE CROSS TUBE BLUE	Blue	
7.	380-190H85	WMT, GRAPPLE CROSS TUBE BLACK	Black	
7.	380-174H81	WMT, GRAPPLE CROSS TUBE GREEN	For GB(E)25108 only (Green)	
7.	380-174H82	WMT, GRAPPLE CROSS TUBE ORANGE	For GB(E)25108 only (Orange)	
7.	380-174H83	WMT, GRAPPLE CROSS TUBE RED	For GB(E)25108 only (Red)	
7.	380-174H84	WMT, GRAPPLE CROSS TUBE BLUE	For GB(E)25108 only (Blue)	
7.	380-174H85	WMT, GRAPPLE CROSS TUBE BLACK	For GB(E)25108 only (Black)	
8.	380-303D	PIVOT PIN, 1.25X7.31		
9.	502-068D	HYD HOSE CLAMP BRACKET		
10.	800-001C	GREASE ZERK STRAIGHT 1/4-28		
11.	802-013C	HHCS 5/16-18X1 3/4 GR5		
12.	802-082C	HHCS 1/2-13X1 3/4 GR5		
13.	802-097C	HHCS 1/4-20X2 1/2 GR5		
14.	802-254C	HHCS 5/8-11X5 1/2 GR5		
15.	803-007C	NUT LOCK 1/4-20 PLT		
16.	803-084C	NUT HEX NYLOCK 5/16-18 PLT		
17.	803-271C	NUT HEX TOP LOCK 5/8-11 PLT		
18.	804-015C	WASHER LOCK SPRING 1/2 PLT		
19.	804-016C	WASHER FLAT 1/2 SAE PLT		
20.	805-103C	PIN LINCH 7/16 X 1 3/4		
21.	805-143C	PIN HAIR COTTER .120 PLT		
22.	805-263C	PIN CLVS .63X2.0		
23.	806-006C	U-BOLT 5/8-11 X 3 17/32 X 5		
24.	812-509C	TINE, GRAPPLE BUCKET		
25.	891-177C	BHG 1.50ODX1.25X1.38		
26.	380-268D81	CLAMP PLATE GREEN	For GB(E)25108 only (Green)	
26.	380-268D82	CLAMP PLATE ORANGE	For GB(E)25108 only (Orange)	
26.	380-268D83	CLAMP PLATE RED	For GB(E)25108 only (Red)	

Grapple Frame Components (continued)

Applies to GB25108, GB2590, GB2596, GBE25108, GBE2590, GBE2596

Ref	Part No.	Part Description	Comments	Revision
26.	380-268D84	CLAMP PLATE BLUE	For GB(E)25108 only (Blue)	
26.	380-268D85	CLAMP PLATE BLACK	For GB(E)25108 only (Black)	

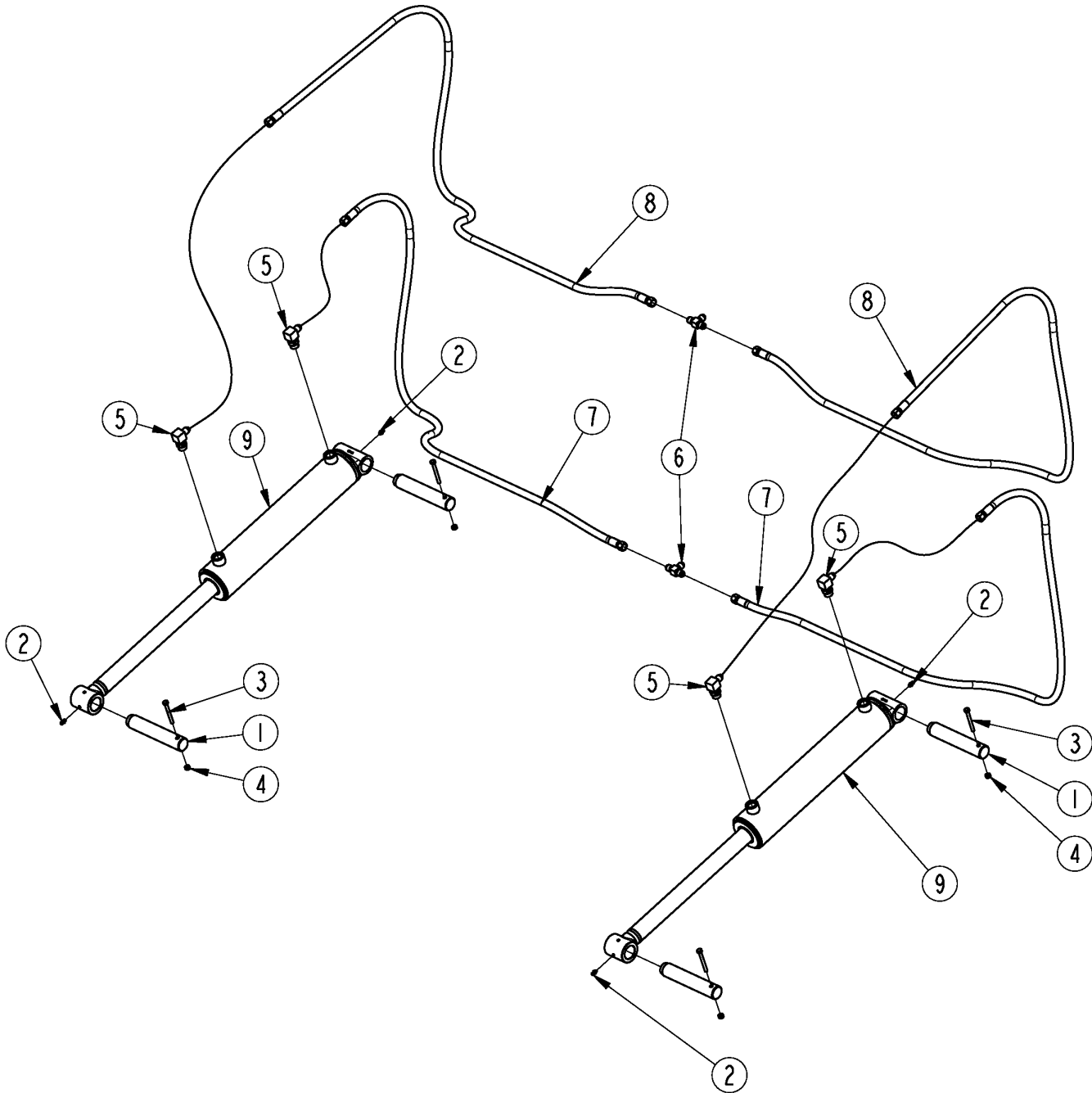
Grapple Frame Components (continued)

Applies to GB25108, GB2590, GB2596, GBE25108, GBE2590, GBE2596

This Page Intentionally Left Blank

Grapple Hydraulic Components

Applies to GB25108, GB2590, GB2596, GBE25108, GBE2590, GBE2596



39327

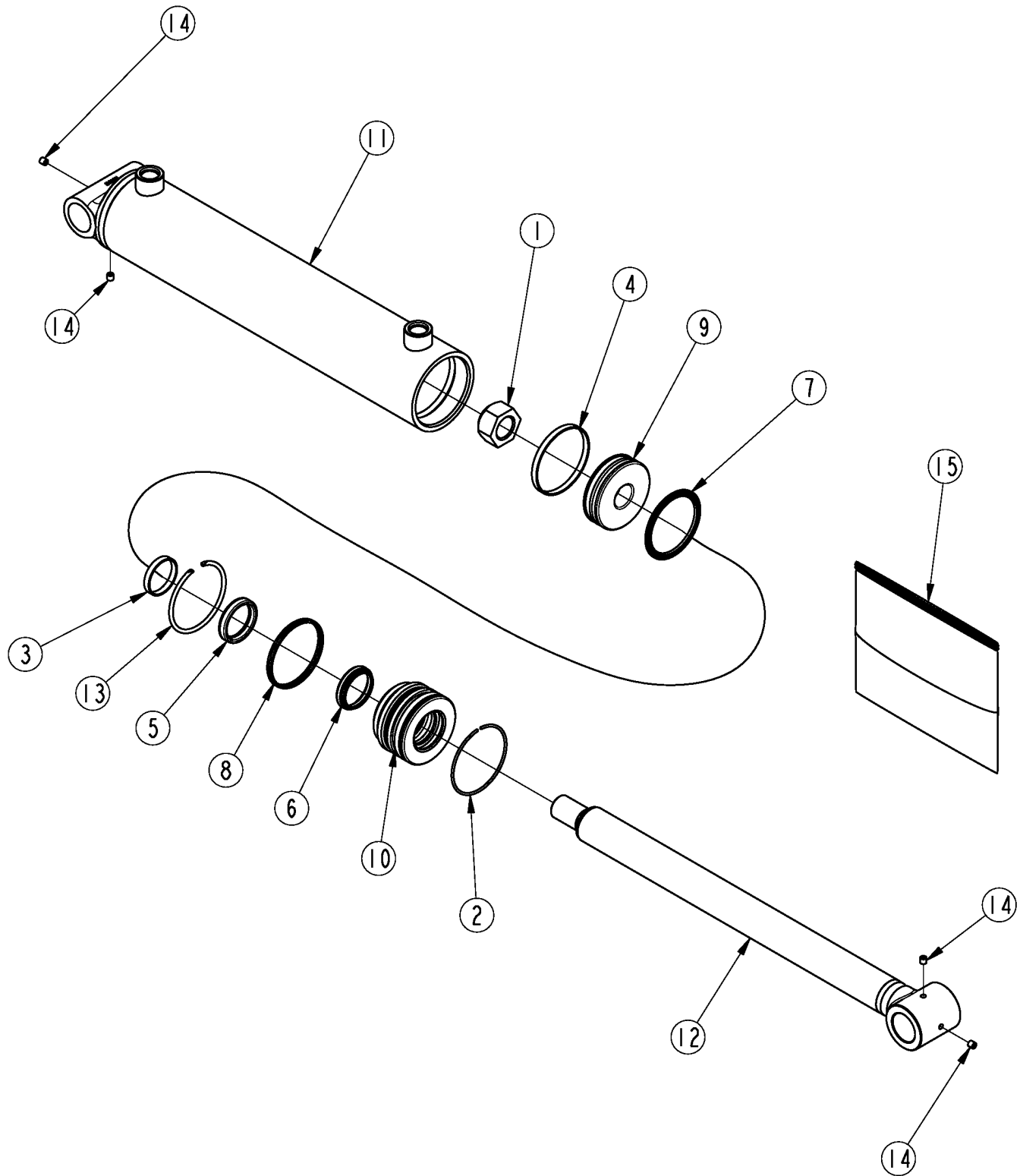
Grapple Hydraulic Components

Applies to GB25108, GB2590, GB2596, GBE25108, GBE2590, GBE2596

Ref	Part No.	Part Description	Comments	Revision
	Dwg 39327	Image No.		
1.	380-292D	PIVOT PIN, 1.25X6.75		
2.	800-001C	GREASE ZERK STRAIGHT 1/4-28		
3.	802-097C	HHCS 1/4-20X2 1/2 GR5		
4.	803-007C	NUT LOCK 1/4-20 PLT		
5.	811-171C	EL 3/4MORB 9/16MJIC		
6.	811-312C	TE 9/16MJIC		
7.	811-703C	HH3/8R2 068 9/16FJIC		
8.	841-690C	HH3/8R2 081 9/16FJIC		
9.	850-070C	CYL 3X14X1 1/2 ROD WELDED		

Hydraulic Cylinder (850-070C)

Applies to GB25108, GB2590, GB2596, GBE25108, GBE2590, GBE2596



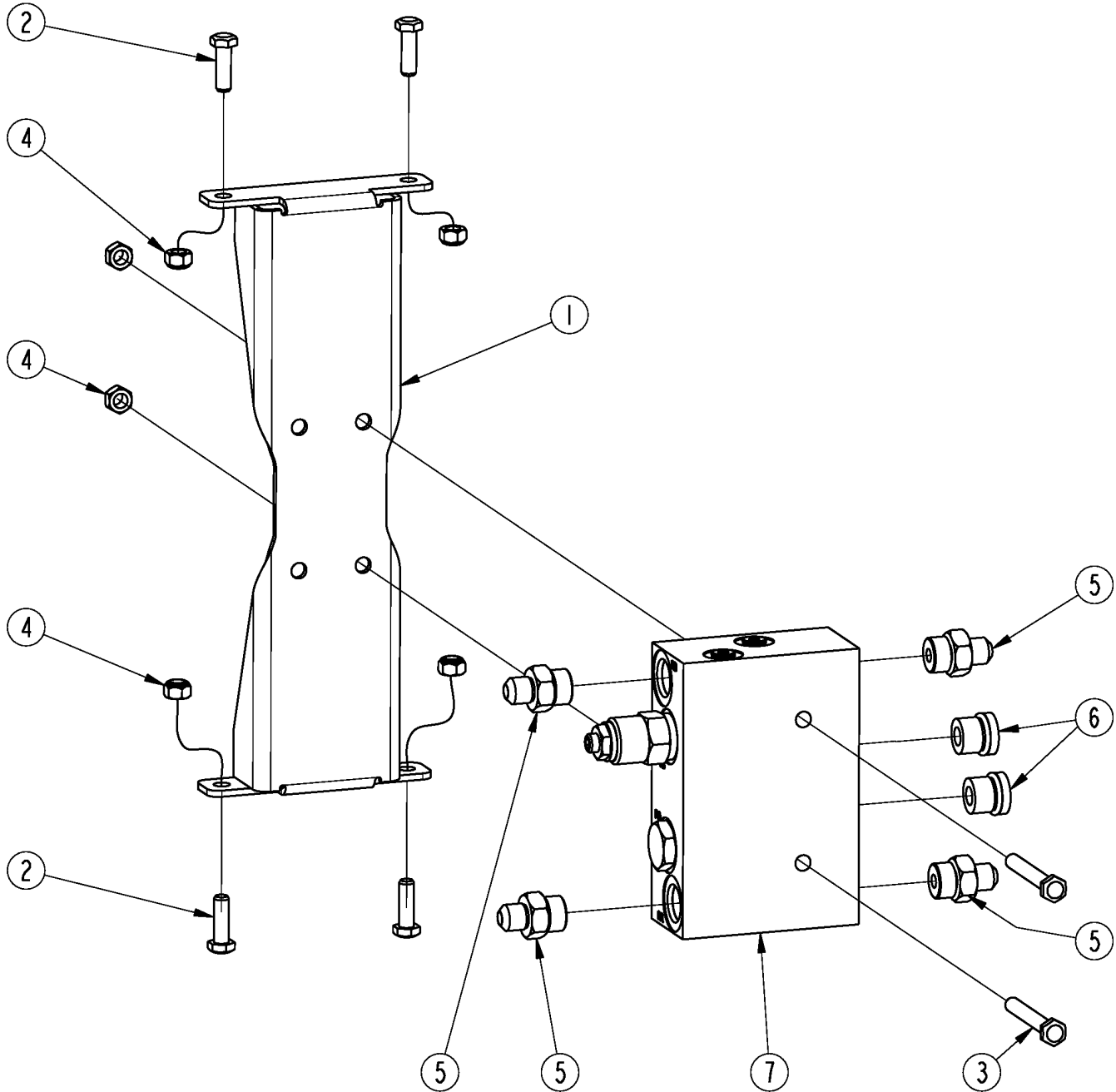
39338

Hydraulic Cylinder (850-070C)**Applies to GB25108, GB2590, GB2596, GBE25108, GBE2590, GBE2596**

Ref	Part No.	Part Description	Comments	Revision
	Dwg 39338 850-070C	Image No. CYL 3X14X1 1/2 ROD WELDED *		
1.	NA			
2.	NA	MON RETAINING RING EXT 3.00	Available only in seal kit 850-169C	
3.	NA	MON WEAR RING 1.63-1.50-0.250	Available only in seal kit 850-169C	
4.	NA	MON WEAR RING 3.00-2.88-0.250	Available only in seal kit 850-169C	
5.	NA	MON SEAL ZURCON U-CUP RU9 1.50	Available only in seal kit 850-169C	
6.	NA	MON SEAL WPR 1.50 SNAP IN DA24	Available only in seal kit 850-169C	
7.	NA	MON SEAL ZRCON GLYD RNG P 3.00	Available only in seal kit 850-169C	
8.	NA	MON SEAL DUAL 3.00 Z20 PU	Available only in seal kit 850-169C	
9.	NA			
10.	NA			
11.	NA			
12.	NA			
13.	NA	MON RETAINING RING INT 3.00	Available only in seal kit 850-169C	
14.	801-045C	SCREW SET 1/4-28X1/4 KNL CUP		
15.	850-169C	MON SEAL KIT 649208	Includes items 2, 3, 4, 5, 6, 7, 8 & 13	

Counterbalance Valve

Applies to GB25108, GB2590, GB2596, GBE25108, GBE2590, GBE2596



39330

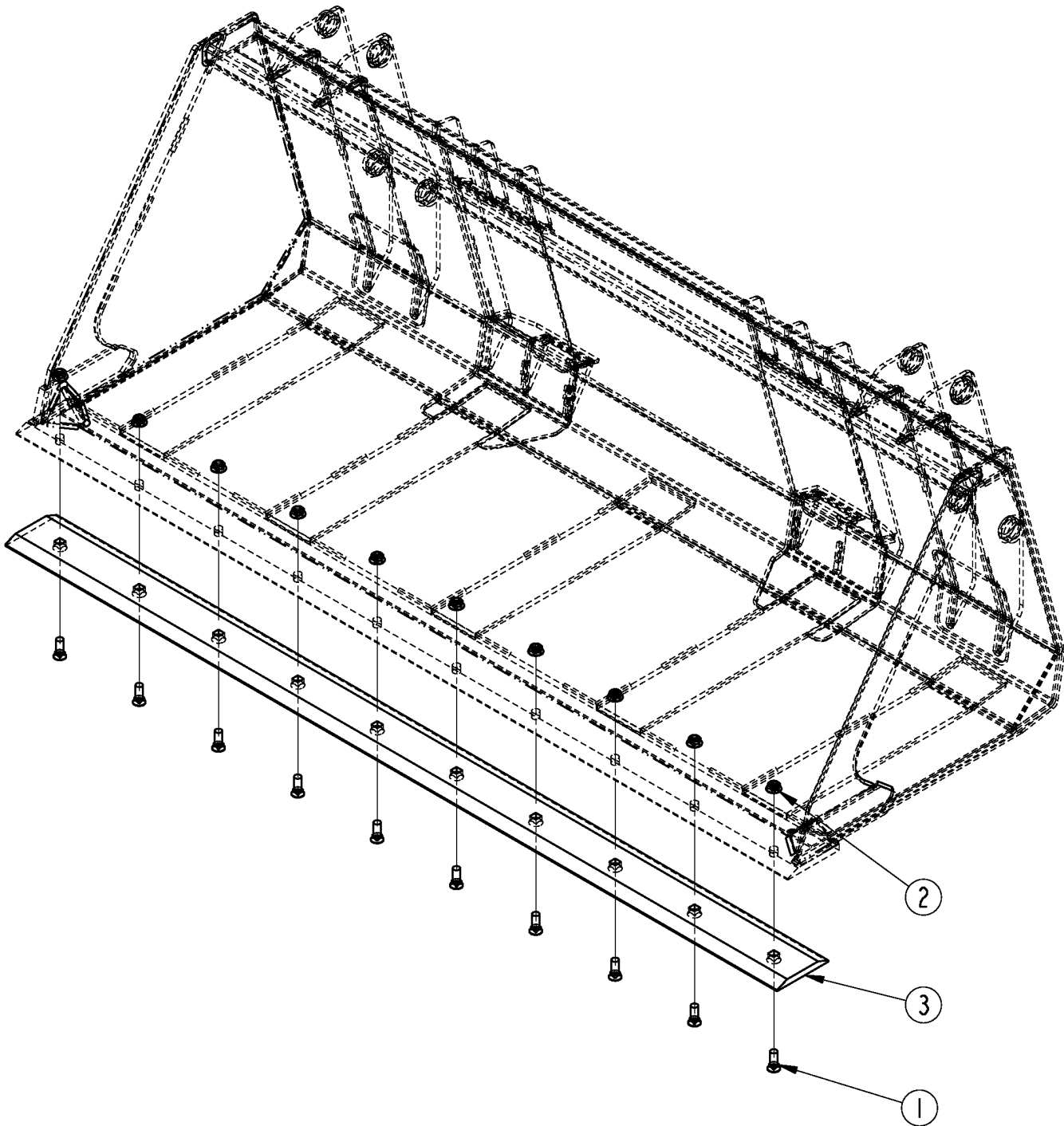
Counterbalance Valve

Applies to GB25108, GB2590, GB2596, GBE25108, GBE2590, GBE2596

Ref	Part No.	Part Description	Comments	Revision
	Dwg 39330	Image No.		
	380-198A	ASY, COUNTERBALANCE VALVE		
	*			
1.	380-296D	BRKT, VALVE MNT		
2.	802-159C	HHCS 5/16-18X1 GR5		
3.	802-172C	HHCS 5/16-18X2 1/2 GR5		
4.	803-084C	NUT HEX NYLOCK 5/16-18 PLT		
5.	811-133C	AD 9/16MJIC 3/4MORB		
6.	811-203C	PL 3/4MORB HOLLOW HEX		
7.	850-071C	VALVE, COUNTERBALANCE		

Cutting Edge

Applies to GB25108, GB2590, GB2596, GBE25108, GBE2590, GBE2596



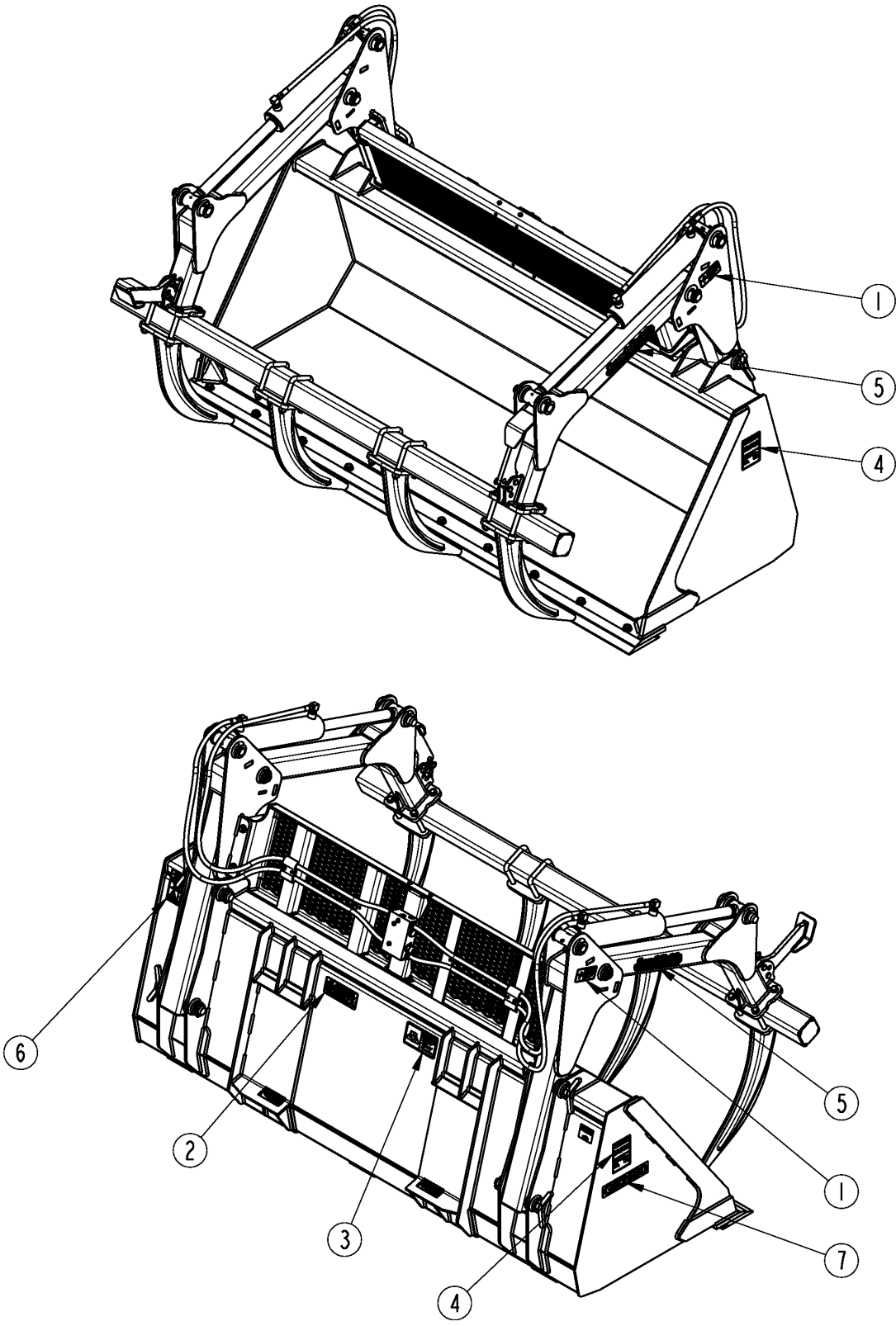
39329

Cutting Edge**Applies to GB25108, GB2590, GB2596, GBE25108, GBE2590, GBE2596**

Ref	Part No.	Part Description	Comments	Revision
	Dwg 39329	Image No.		
	380-189A	ASY, 90 BOLT ON EDGE	For GB2590 & GBE2590	
	380-188A	ASY, 96 BOLT ON EDGE	For GB2596 & GBE2596	
	380-187A	ASY, 108 BOLT ON EDGE	For GB25108 & GBE25108	
	*			
1.	802-206C	PLOW 5/8-11X1 3/4 GR5		
2.	803-304C	NUT HEX WHIZ 5/8-11 PLT	S/N _____ +	
2.	803-263C	NUT HEX FLANGE LOCK 5/8-11 PLT	S/N _____ -	
3.	820-574C	CUTTING EDGE,90 BUCKT BLT ON	For GB2590 & GBE2590	
3.	820-573C	CUTTING EDGE,96 BUCKT BLT ON	For GB2596 & GBE2596	
3.	820-568C	CUTTING EDGE,108 BUCKT BLT ON	For GB25108 & GBE25108	

Decals

Applies to GB25108, GB2590, GB2596, GBE25108, GBE2590, GBE2596



39331

Decals**Applies to GB25108, GB2590, GB2596, GBE25108, GBE2590, GBE2596**

Ref	Part No.	Part Description	Comments	Revision
	Dwg 39331	Image No.		
1.	818-798C	DECAL WARNING PINCH POINT GEN		
2.	838-094C	DECAL WARNING HYD PRESS LONG		
3.	838-293C	DECAL WARNING READ MANUAL		
4.	838-378C	DECAL WARNING PINCH/CRUSH		
5.	848-159C	DECAL LANDPRIDE 10" BROWN/GOLD		
6.	858-237C	DECAL, DIG SAFE		
7.	858-353C	DECAL, GB2590 GOLD		
7.	858-694C	DECAL, GB2596 GOLD		
7.	858-695C	DECAL, GB25108 GOLD		
7.	858-674C	DECAL, GBE2590 GOLD		
7.	858-352C	DECAL, GBE2596 GOLD		
7.	858-351C	DECAL, GBE25108 GOLD		

Land Pride Touch-up Paints

Applies to GB25108, GB2590, GB2596, GBE25108, GBE2590, GBE2596

No diagram associated with this Parts List

Land Pride Touch-up Paints**Applies to GB25108, GB2590, GB2596, GBE25108, GBE2590, GBE2596**

Ref	Part No.	Part Description	Comments	Revision
1.	821-011C	LP BEIGE SPRAY CAN	Spray can	
1.	821-011CTU	LP BEIGE TOUCH-UP 5OZ	Touch-up bottle with brush	
1.	821-011CQT	LP BEIGE QUART	Quart can	
1.	821-011CGL	LP BEIGE GALLON	Gallon can	
2.	821-070C	GLOSS BLACK SPRAY CAN	Spray can	
2.	821-070CTU	GLOSS BLACK TOUCH-UP 5OZ	Touch-up bottle with brush	
2.	821-070CQT	GLOSS BLACK QUART	Quart can	
2.	821-070CGL	GLOSS BLACK GALLON	Gallon can	
3.	821-054C	MED. RED SPRAY TRCK/CTR	Spray can	
3.	821-054CTU	MED RED TOUCH-UP 5OZ	Touch-up bottle with brush	
3.	821-054CQT	MED RED QUART	Quart can	
3.	821-054CGL	MED RED GALLON	Gallon can	
4.	821-058C	GREEN SPRAY CUTTERS	Spray can	
4.	821-058CTU	GREEN TOUCH-UP 5OZ	Touch-up bottle with brush	
4.	821-058CQT	GREEN QUART	Quart can	
4.	821-058CGL	GREEN GALLON	Gallon can	
5.	821-066C	ORANGE SPRAY CAN	Spray can	
5.	821-066CTU	ORANGE TOUCH-UP 5OZ	Touch-up bottle with brush	
5.	821-066CQT	ORANGE QUART	Quart can	
5.	821-066CGL	ORANGE GALLON	Gallon can	
6.	821-067C	BLUE SPRAY CAN	Spray can	
6.	821-067CTU	BLUE TOUCH-UP 5OZ	Touch-up bottle with brush	
6.	821-067CQT	BLUE QUART	Quart can	
6.	821-067CGL	BLUE GALLON	Gallon can	
7.	821-080C	PAINT ALUMINUM/ZINC SPRAY CAN	Spray can	
7.	821-080CTU	PAINT ALUMINUM/ZINC TOUCH UP	Touch-up bottle with brush	
7.	821-080CQT	PAINT ALUMINUM/ZINC QUART	Quart can	
7.	821-080CGL	PAINT ALUMINUM/ZINC GALLON	Gallon can	



Part Number Index

The Part Number Index is a numeric index of all part numbers included in this manual. The index shows what page(s) the part is used on.

<u>Part Number</u>	<u>Page</u>	<u>Part Number</u>	<u>Page</u>	<u>Part Number</u>	<u>Page</u>
*	15, 17, 19	380-263H85	7	838-378C	21
380-170H81	7	380-268D81	9	841-690C	13
380-170H82	7	380-268D82	9	848-159C	21
380-170H83	7	380-268D83	9	850-070C	13, 15
380-170H84	7	380-268D84	10	850-071C	17
380-170H85	7	380-268D85	10	850-169C	15
380-171H81	9	380-292D	13	858-237C	21
380-171H82	9	380-296D	17	858-351C	21
380-171H83	9	380-303D	9	858-352C	21
380-171H84	9	502-068D	9	858-353C	21
380-171H85	9	800-001C	9, 13	858-674C	21
380-174H81	9	801-045C	15	858-694C	21
380-174H82	9	802-013C	9	858-695C	21
380-174H83	9	802-082C	9	891-177C	9
380-174H84	9	802-097C	9, 13	Dwg 39326	9
380-174H85	9	802-159C	17	Dwg 39327	13
380-175H81	9	802-172C	17	Dwg 39328	7
380-175H82	9	802-206C	19	Dwg 39329	19
380-175H83	9	802-254C	9	Dwg 39330	17
380-175H84	9	803-007C	9, 13	Dwg 39331	21
380-175H85	9	803-084C	9, 17	Dwg 39338	15
380-176H81	9	803-263C	19	NA	15
380-176H82	9	803-271C	9		
380-176H83	9	803-304C	19		
380-176H84	9	804-015C	9		
380-176H85	9	804-016C	9		
380-177H81	9	805-103C	9		
380-177H82	9	805-143C	9		
380-177H83	9	805-263C	9		
380-177H84	9	806-006C	9		
380-177H85	9	811-133C	17		
380-178H81	9	811-171C	13		
380-178H82	9	811-203C	17		
380-178H83	9	811-312C	13		
380-178H84	9	811-703C	13		
380-178H85	9	812-509C	9		
380-181H	9	818-798C	21		
380-183H81	7	820-568C	19		
380-183H82	7	820-573C	19		
380-183H83	7	820-574C	19		
380-183H84	7	821-011C	23		
380-183H85	7	821-011CGL	23		
380-184H81	7	821-011CQT	23		
380-184H82	7	821-011CTU	23		
380-184H83	7	821-054C	23		
380-184H84	7	821-054CGL	23		
380-184H85	7	821-054CQT	23		
380-187A	19	821-054CTU	23		
380-188A	19	821-058C	23		
380-189A	19	821-058CGL	23		
380-190H81	9	821-058CQT	23		
380-190H82	9	821-058CTU	23		
380-190H83	9	821-066C	23		
380-190H84	9	821-066CGL	23		
380-190H85	9	821-066CQT	23		
380-198A	17	821-066CTU	23		
380-201H81	7	821-067C	23		
380-201H82	7	821-067CGL	23		
380-201H83	7	821-067CQT	23		
380-201H84	7	821-067CTU	23		
380-201H85	7	821-070C	23		
380-262H81	7	821-070CGL	23		
380-262H82	7	821-070CQT	23		
380-262H83	7	821-070CTU	23		
380-262H84	7	821-080C	23		
380-262H85	7	821-080CGL	23		
380-263H81	7	821-080CQT	23		
380-263H82	7	821-080CTU	23		
380-263H83	7	838-094C	21		
380-263H84	7	838-293C	21		

This Page Intentionally Left Blank



Great Plains Manufacturing, Inc.

Corporate Office: P.O. Box 5060
Salina, Kansas 67402-5060 USA

www.landpride.com
