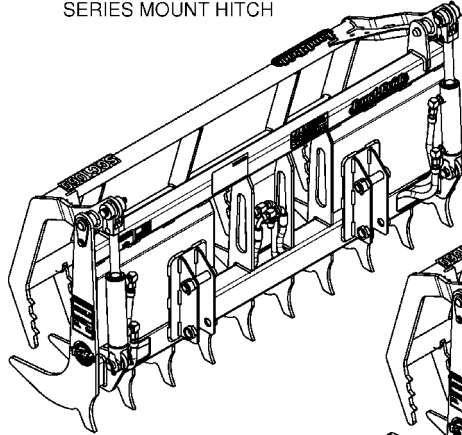


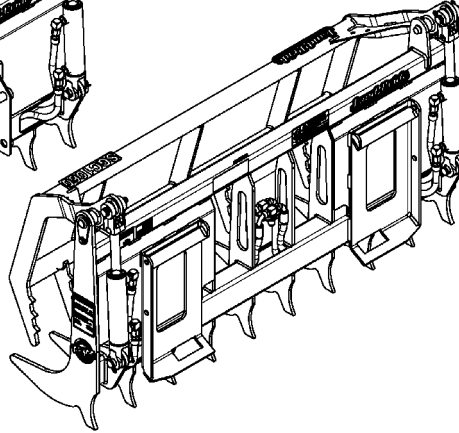
Grapples

SGC1060 & SGC1072

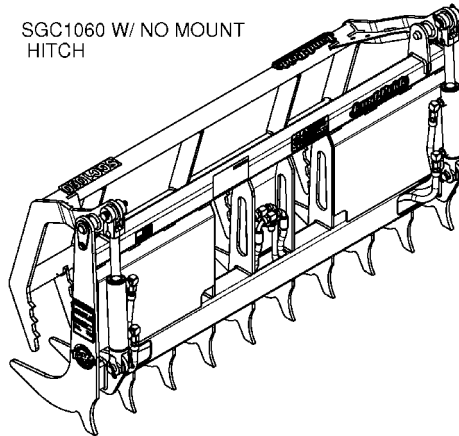
SGC1060 W/ KUBOTA B
SERIES MOUNT HITCH



SGC1060 W/ STANDARD
TWO LEVER MOUNT HITCH



SGC1060 W/ NO MOUNT
HITCH



35564

380-092P Parts Manual



Read the Operator's Manual entirely. When you see this symbol, the subsequent instructions and warnings are serious - follow without exception. Your life and the lives of others depend on it!

© Copyright 2019 Printed 02/21/19

Cover photo may show optional equipment not supplied with standard unit.





Table of Contents

Section 1: Introduction.....	4
Using This Manual.....	4
Manual Replacement Information.....	4
Manual Revisions.....	4
Touch-up Paint.....	4
Hardware Legend.....	5
Replacement Hardware.....	5
Serial Numbers.....	5
Part Number Service Coding.....	5
Section 2: Main Assembly.....	6
Grapple & Claw Frame Kubota B Series Mount Hitch.....	6
Grapple & Claw Frame No Mount Hitch.....	8
Grapple & Claw Frame Standard Two Lever Hitch.....	10
Hydraulic Components.....	12
Hydraulic Cylinder (810-734C) Monarch.....	14
Section 3: Decals.....	16
Decal Placement.....	16
Land Pride Touch-up Paints.....	18
Section 4: Options & Accessories.....	20
Third Function Hose Kit 380-150A.....	20
Third Function Valve Kit 380-152A for Kubota L2501 L3200 L3800 L3301 L3901 L4600 & L4701.....	22
Third Function Valve Kit 380-166A for Kubota MX4700.....	24
MX4800.....	24
MX5100.....	24
MX5200.....	24
MX5800.....	24
& MX6899.....	24
Third Function Valve Kit 380-168A for Kubota B3350 B2650 & LA534 LA534A.....	26
Third Function Valve Kit 380-093A for Kubota B3300 & LA504.....	28
Part Number Index.....	30

© Copyright 2019. All rights reserved.

Land Pride provides this publication “as is” without warranty of any kind, either expressed or implied. While every precaution has been taken in the preparation of this manual, Land Pride assumes no responsibility for errors or omissions. Neither is any liability assumed for damages resulting from the use of the information contained herein. Land Pride reserves the right to revise and improve its products as it sees fit. This publication describes the state of this product at the time of its publication, and may not reflect the product in the future. The illustrations in this manual are not intended for safe and proper assembly or disassembly of equipment. The illustrations are intended for ordering parts only.

Land Pride is registered trademark.

All other brands and product names are trademarks or registered trademarks of their respective holders.

Printed in the United States of America.



Alphabetized Table of Contents

D	
Decal Placement.....	16
G	
Grapple & Claw Frame Kubota B Series Mount Hitch.....	6
Grapple & Claw Frame No Mount Hitch.....	8
Grapple & Claw Frame Standard Two Lever Hitch.....	10
H	
Hydraulic Components.....	12
Hydraulic Cylinder (810-734C) Monarch.....	14
L	
Land Pride Touch-up Paints.....	18
T	
Third Function Hose Kit 380-150A.....	20
Third Function Valve Kit 380-152A for Kubota L2501 L3200 L3800 L3301 L3901 L4600 & L4701.....	22
Third Function Valve Kit 380-166A for Kubota MX4700, MX4800, MX5100, MX5200, MX5800, & MX6899.....	24
Third Function Valve Kit 380-168A for Kubota B3350 B2650 & LA534 LA534A.....	26
Third Function Valve Kit 380-093A for Kubota B3300 & LA504.....	28

General Information

Using This Manual

This manual is divided into sections. The first section contains General Information. The remaining sections divide the machine into segments (i.e. Frames, Drives, Hydraulics, etc.) which illustrate and list all parts. A Parts Number Index is located at the back of the book.

The Land Pride parts in this manual are specially designed for this machine and should be replaced with Land Pride parts only.

The information in this manual is current at time of printing. Some parts may change to assure top performance.

Right-hand and left-hand as used in this manual are determined by facing the direction the machine will travel while in use.

Below is an example of two facing pages from a parts manual. Familiarize yourself with the type of information contained on these pages.

Manual Replacement Information

Replacement manuals are available. Refer to our website at www.landpride.com or e-mail us at lit@landpride.com for additional information. Our website continues to provide the most up-to-date manuals available.

Touch-up Paint

Repaint parts where paint is worn or scratched to prevent rust. Aerosol cans and touch-up bottles with brush applicator are available through your local dealer. Also available are quart and gallon size paints. Add QT or GL to end of the Aerosol P/N.

Land Pride color descriptions and part numbers are listed on the "Land Pride Touch-up Paints" page in the "Decals" section of this book. Color options vary by product.



General Information

Hardware Legend

AR	As Required
BLADE	Blade Bolt
C	Cap Screw
CP	Cotter Pin
CPHSSS	Cup Point Hex Socket Set Screw
CPSHSS	Cup Point Square Head Set Screw
CPSQHSS	Cup Point Square Head Set Screw
CRFCHMS3	Cross Recess Flat Countersunk Head Machine Screw
CRPHMS	Cross Recess Pan Head Machine Screw
CRPHTF	Cross Recess Pan Head Thread Forming
CRRHMS	Cross Recess Round Head Machine Screw
CRTHMS	Cross Recess Truss Head Machine Screw
CSNB	Countersunk Square Neck Bolt
FHMS	Flat Head Machine Screw
FTC	Full Thread Cap Screw
H	Hex Nut
HCLN	Hex Center Lock Nut
HFLCS	Hex Flange Lock Cap Screw
HFS	Hex Flange Screw
HFSLN	Hex Flange Serrated Lock Nut
HFSS	Hex Flange Serrated Screw
HHCS	Hex Head Cap Screw or Metric Bolt
HSBHCS	Hex Socket Button Head Cap Screw
HSFCHCS	Hex Socket Flat Countersunk Head Cap Screw
HSHCS	Hex Socket Head Cap Screw
HSSS	Hex Socket Head Screw
HTLN	Hex Top Lock Nut
HWHCS	Hex Washer Head Cap Screw

HWHMS	Hex Washer Head Machine Screw
HXBHCS	Hex Socket Button Head Cap Screw
J	Hex Jam Nut
JIC	37 Degree Tapered Thread
L	Helical Spring Lock Washer
LUG	Lug Bolt
NFC	National Fine Cap Screw
NPSM	National Pipe Straight Mechanical
NPTF	National Pipe Taper Fuel
P	Wide Plain Washer
PHMS	Pan Head Machine Screw
PLOW	Plow Bolt
RHMS	Round Head Machine Screw
RHSNB	Round Head Square Neck Bolt
SCREW LEVELING	Leveling Screw
SCREW THUMB	Thumb Screw
SCREW WELD	Weld Screw
SFCHMS	Slotted Flat Countersunk Head Machine Screw
SFHMS	Slotted Fillister Head Machine Screw
SP	Special
SP SCREW	Special Screw
SQHSS	Square Head Set Screw
SRHMS	Slotted Round Head Machine Screw
SSS	Socket Set Screw
STCS	Self Tapping Cap Screw
STHMS	Slotted Truss Head Machine Screw
WHEEL	Wheel Studs and Hub Long Bolts
WING	Wing Bolt

Replacement Hardware

The **Hardware Legend** above lists hardware abbreviations used in the parts list. All bolts and nuts are Grade 5 unless otherwise noted. The use of improper grades of hardware can result in personal injury, damage to equipment, or loss of property.

Colored Replacement Parts

Land Pride offers replacement parts in factory standard colors and also on select models in Green, Orange, Red and Blue. Because of the variety of colors available, special attention must be given to the part number to prevent ordering the wrong replacement part.

A suffix number corresponding to one of the colors below must be added at the end of Land Pride's part number when ordering a replacement part with that color.

81 Green 83 Red
82 Orange 84 Blue

For example, if you are ordering a replacement part with part number 555-555C and the part you need is red, then add the suffix 83 to the end of the number to make the part number read 555-555C83. Parts ordered without a suffix number will be supplied in factory standard colors.

Black Replacement Parts

Some parts are factory standard black and some must be special ordered black. If your part is special ordered black, a second part number with the additional suffix number 85 on the end will be available. In this situation you must order that part with the suffix number for it to be black. Parts that are factory standard black will not have the suffix number.

Part Number Service Coding

Within the parts list some part numbers are coded for revisions and interchangeability. See notations in revision column.

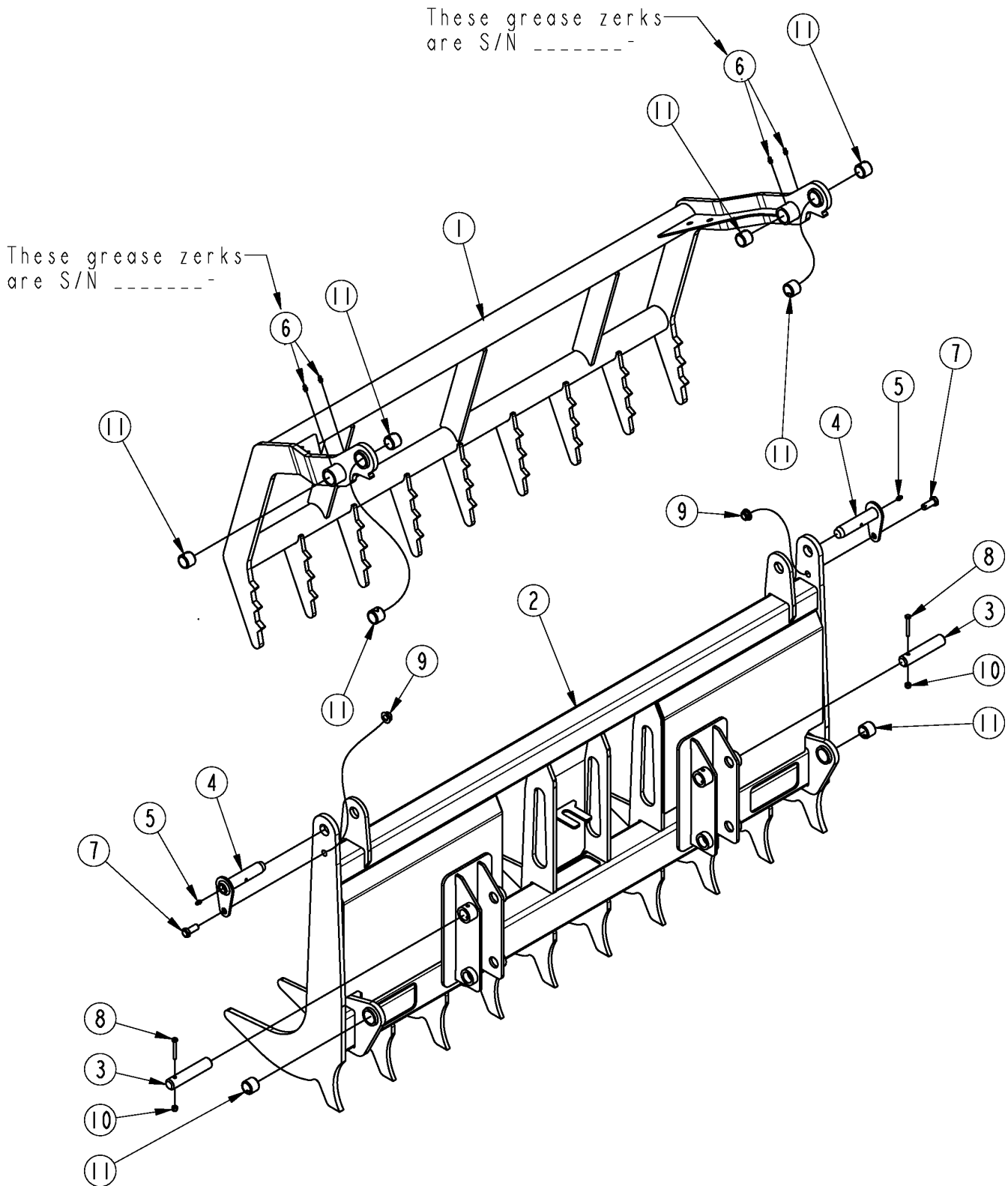
Serial Numbers

Always use the serial and model number when ordering parts. Refer to the Operator's Manual for serial number plate location.

- (S/N 20001+) Includes serial numbers 20001 and above (to the latest number)
- (S/N 10001 to 20000) Includes serial numbers between and including 10001 and 20000
- (S/N 10000-) Includes serial numbers 10000 and below (to the earliest number)

Grapple & Claw Frame Kubota B Series Mount Hitch

Applies to SGC1060, SGC1072



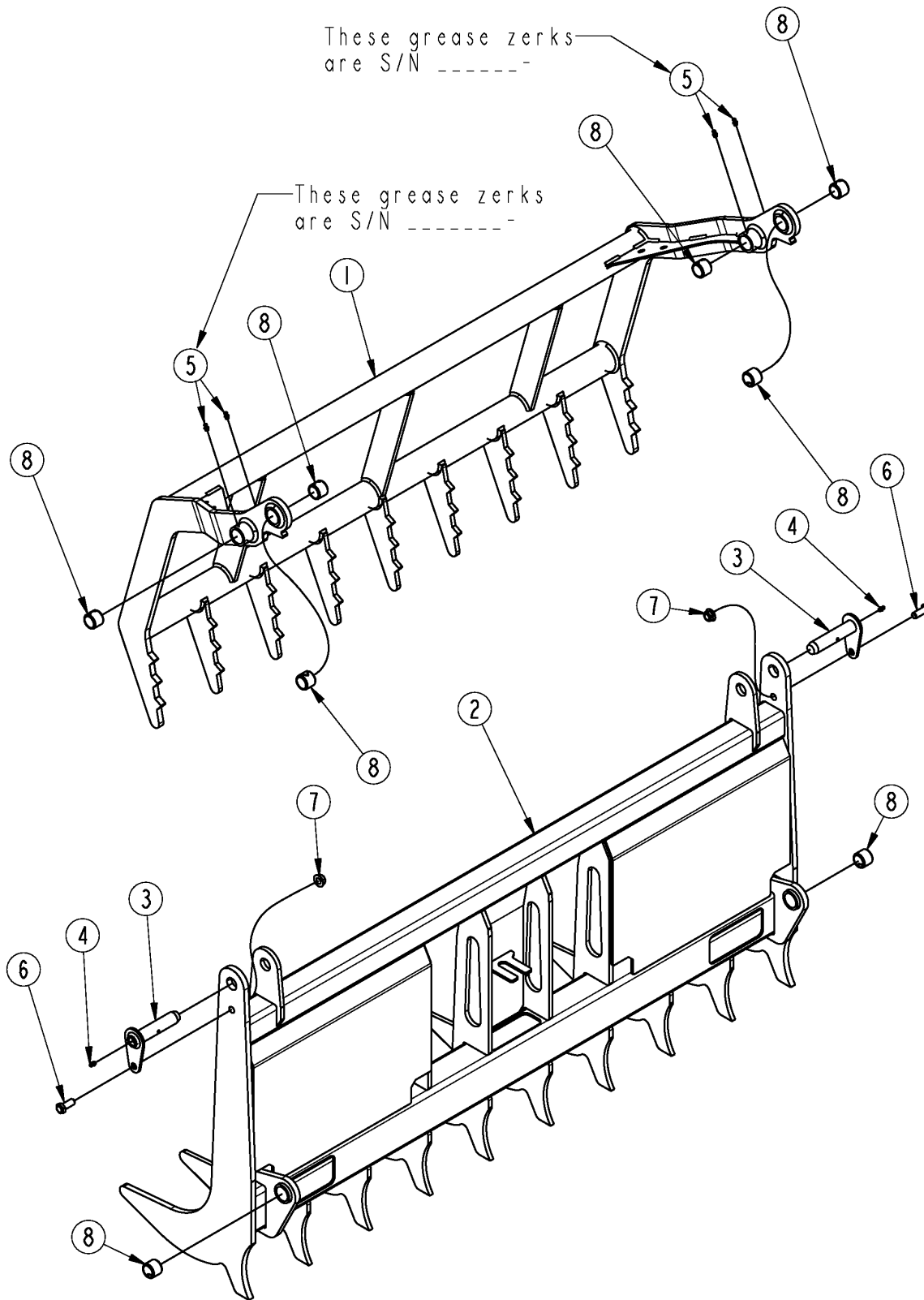
35567

Grapple & Claw Frame Kubota B Series Mount Hitch**Applies to SGC1060, SGC1072**

Ref	Part No.	Part Description	Comments	Revision
	Dwg 12345	Drawing Image Number		
1.	380-087H	WMT, SGC1060 JAW	SGC1060	
1.	380-079H	WMT, SGC1072 JAW	SGC1072	
2.	380-115H	WMT, SGC1060 FRAME, B QA	SGC1060	
2.	380-114H	WMT, SGC1072 FRAME, B QA	SGC1072	
3.	380-155D	PIN CLVS HDLSS 1.00X4.14 USBL		
4.	380-305H	WMT, PIVOT PIN	S/N _____ +	
4.	380-081H	RPBY 380-305H	S/N _____ - (Obsolete)	
5.	800-001C	GREASE ZERK STRAIGHT 1/4-28	S/N _____ +	
6.	800-080C	GREASE ZERK 1/4-28 THD FORMING	S/N _____ -	
7.	802-034C	HHCS 1/2-13X1 1/4 GR5		
8.	802-152C	HHCS 1/4-20X2 GR5		
9.	803-169C	NUT HEX FLG LOCK 1/2-13 PLT		
10.	803-255C	NUT HEX NYLOCK 1/4-20		
11.	890-005C	BUSHING CYL 1 1/4 X 1 X 1		

Grapple & Claw Frame No Mount Hitch

Applies to SGC1060, SGC1072



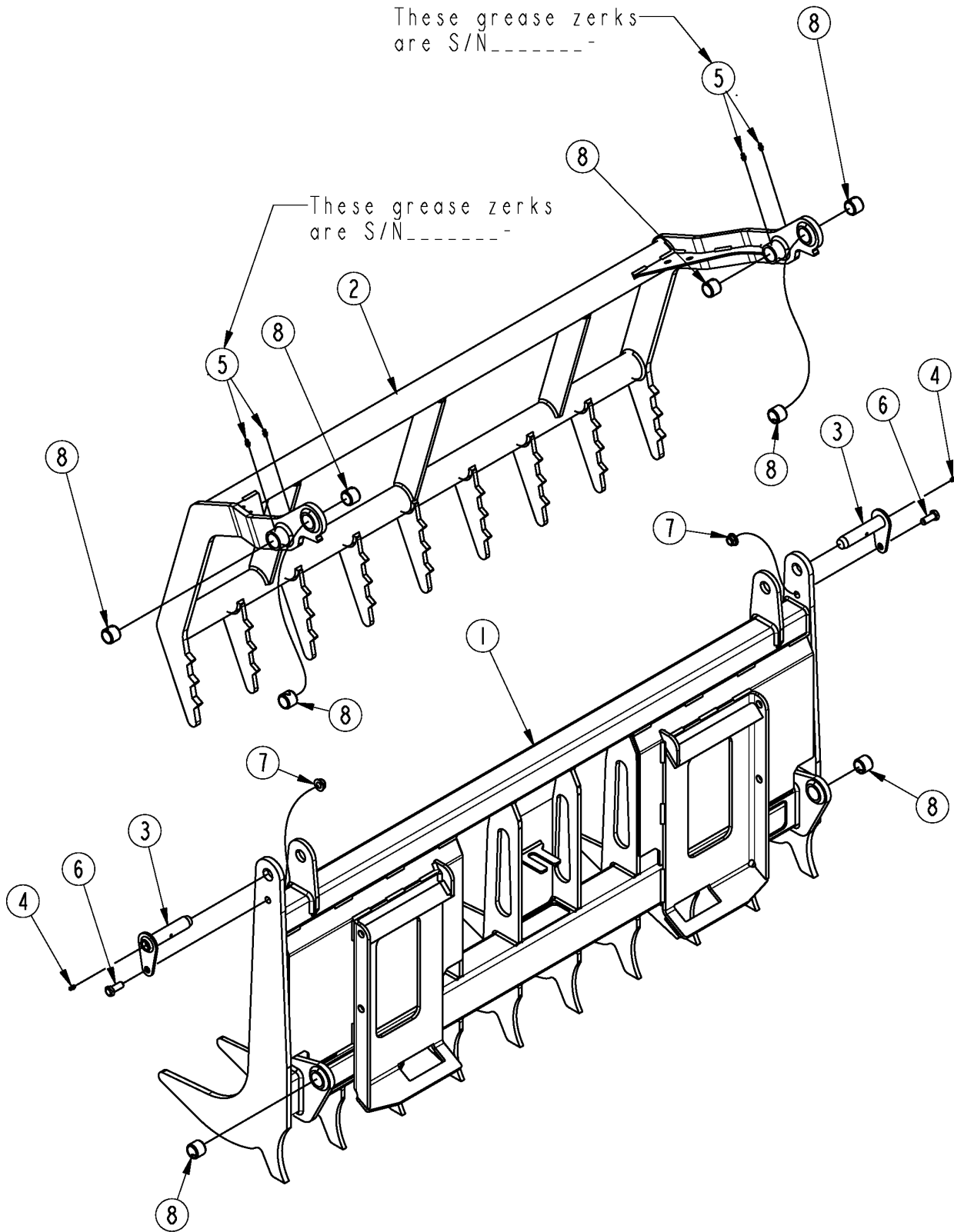
35819

Grapple & Claw Frame No Mount Hitch**Applies to SGC1060, SGC1072**

Ref	Part No.	Part Description	Comments	Revision
	Dwg 35819	Drawing Image Number		
1.	380-087H	WMT, SGC1060 JAW	SGC1060	
1.	380-079H	WMT, SGC1072 JAW	SGC1072	
2.	380-140H	SGC1060 FRAME, BLANK BACK	SGC1060	
2.	380-139H	SGC1072 FRAME, BLANK BACK	SGC1072	
3.	380-305C	WMT, PIVOT PIN	S/N _____+	
3.	380-081H	RPBY 380-305H	S/N _____- (Obsolete)	
4.	800-001C	GREASE ZERK STRAIGHT 1/4-28	S/N _____+	
5.	800-080C	GREASE ZERK 1/4-28 THD FORMING	S/N _____-	
6.	802-034C	HHCS 1/2-13X1 1/4 GR5		
7.	803-169C	NUT HEX FLG LOCK 1/2-13 PLT		
8.	890-005C	BUSHING CYL 1 1/4 X 1 X 1		

Grapple & Claw Frame Standard Two Lever Hitch

Applies to SGC1060, SGC1072



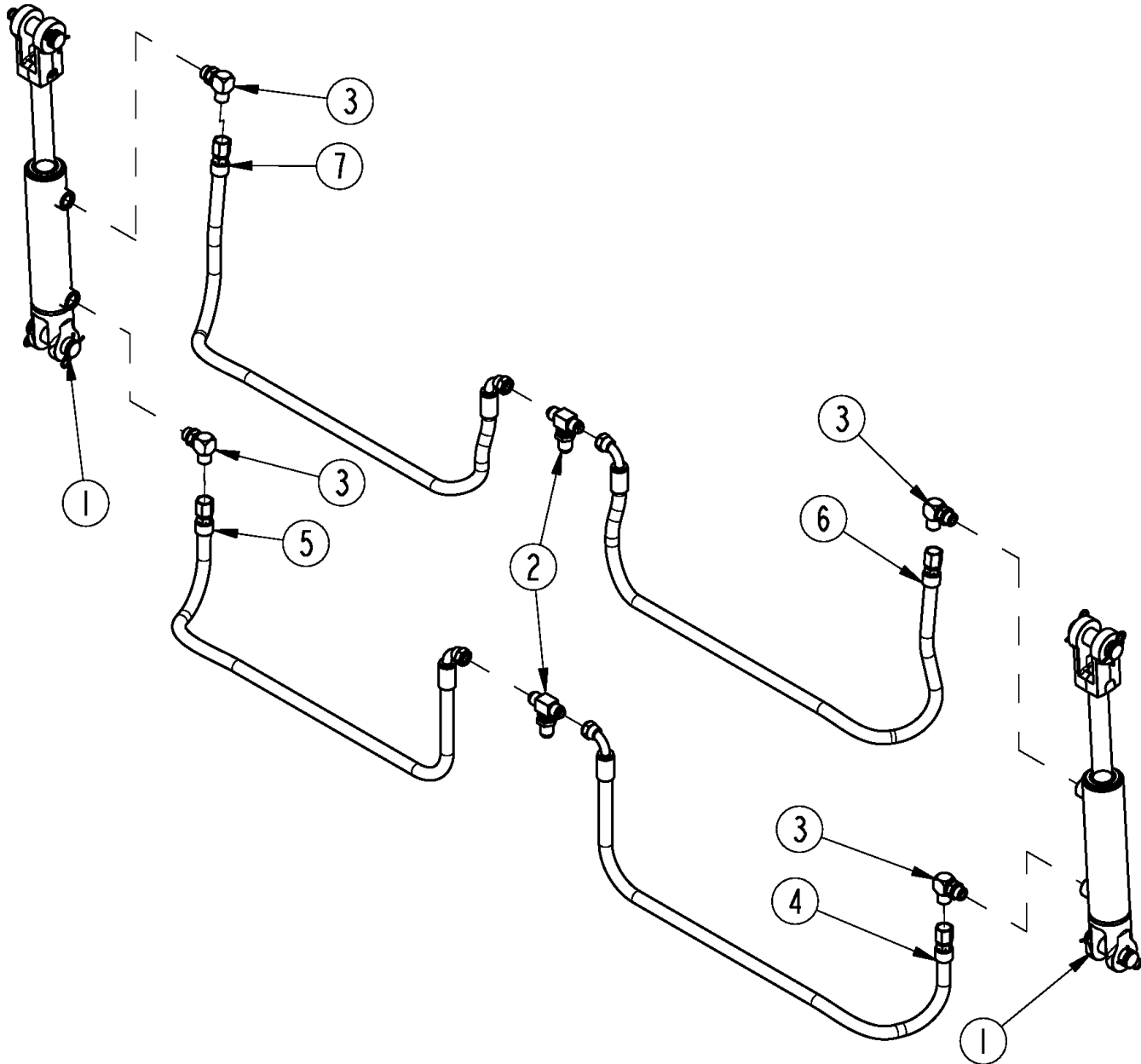
35566

Grapple & Claw Frame Standard Two Lever Hitch**Applies to SGC1060, SGC1072**

Ref	Part No.	Part Description	Comments	Revision
	Dwg 35566	Drawing Image Number		
1.	380-082H	WMT, SGC1060 FRAME, 2 LEVR	SGC1060	
1.	380-078H	WMT, SGC1072 FRAME, 2 LEVR	SGC1072	
2.	380-087H	WMT, SGC1060 JAW	SGC1060	
2.	380-079H	WMT, SGC1072 JAW	SGC1072	
3.	380-305H	WMT, PIVOT PIN	S/N _____+	
3.	380-081H	RPBY 380-305H	S/N _____- (Obsolete)	
4.	800-001C	GREASE ZERK STRAIGHT 1/4-28	S/N _____+	
5.	800-080C	GREASE ZERK 1/4-28 THD FORMING	S/N _____-	
6.	802-034C	HHCS 1/2-13X1 1/4 GR5		
7.	803-169C	NUT HEX FLG LOCK 1/2-13 PLT		
8.	890-005C	BUSHING CYL 1 1/4 X 1 X 1		

Hydraulic Components

Applies to SGC1060, SGC1072



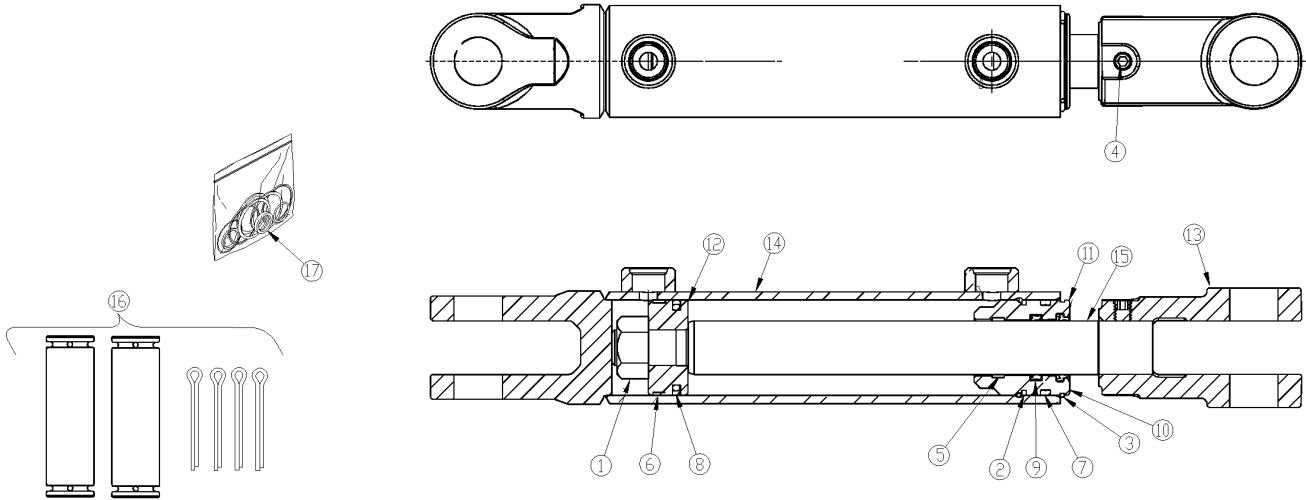
35568

Hydraulic Components**Applies to SGC1060, SGC1072**

Ref	Part No.	Part Description	Comments	Revision
	dwg35568	Drawing Image Number		
1.	810-734C	CYL 2X6X1.125 WELDED		
2.	811-039C	TE 3/4MJICBH 3/4MJIC 3/4MJIC		
3.	811-063C	EL 3/4MJIC 3/4MORB		
4.	851-072C	HH3/8R2 040 3/4FJIC 3/4FJIC90	SGC1060	
4.	851-070C	HH3/8R2 046 3/4FJIC 3/4FJIC90	SGC1072	
5.	851-072C	HH3/8R2 040 3/4FJIC 3/4FJIC90	SGC1060	
5.	851-070C	HH3/8R2 046 3/4FJIC 3/4FJIC90	SGC1072	
6.	851-073C	HH3/8R2 044 3/4FJIC 3/4FJIC90	SGC1060	
6.	851-071C	HH3/8R2 050 3/4FJIC 3/4FJIC90	SGC1072	
7.	851-073C	HH3/8R2 044 3/4FJIC 3/4FJIC90	SGC1060	
7.	851-071C	HH3/8R2 050 3/4FJIC 3/4FJIC90	SGC1072	

Hydraulic Cylinder (810-734C) Monarch

Applies to SGC1060, SGC1072



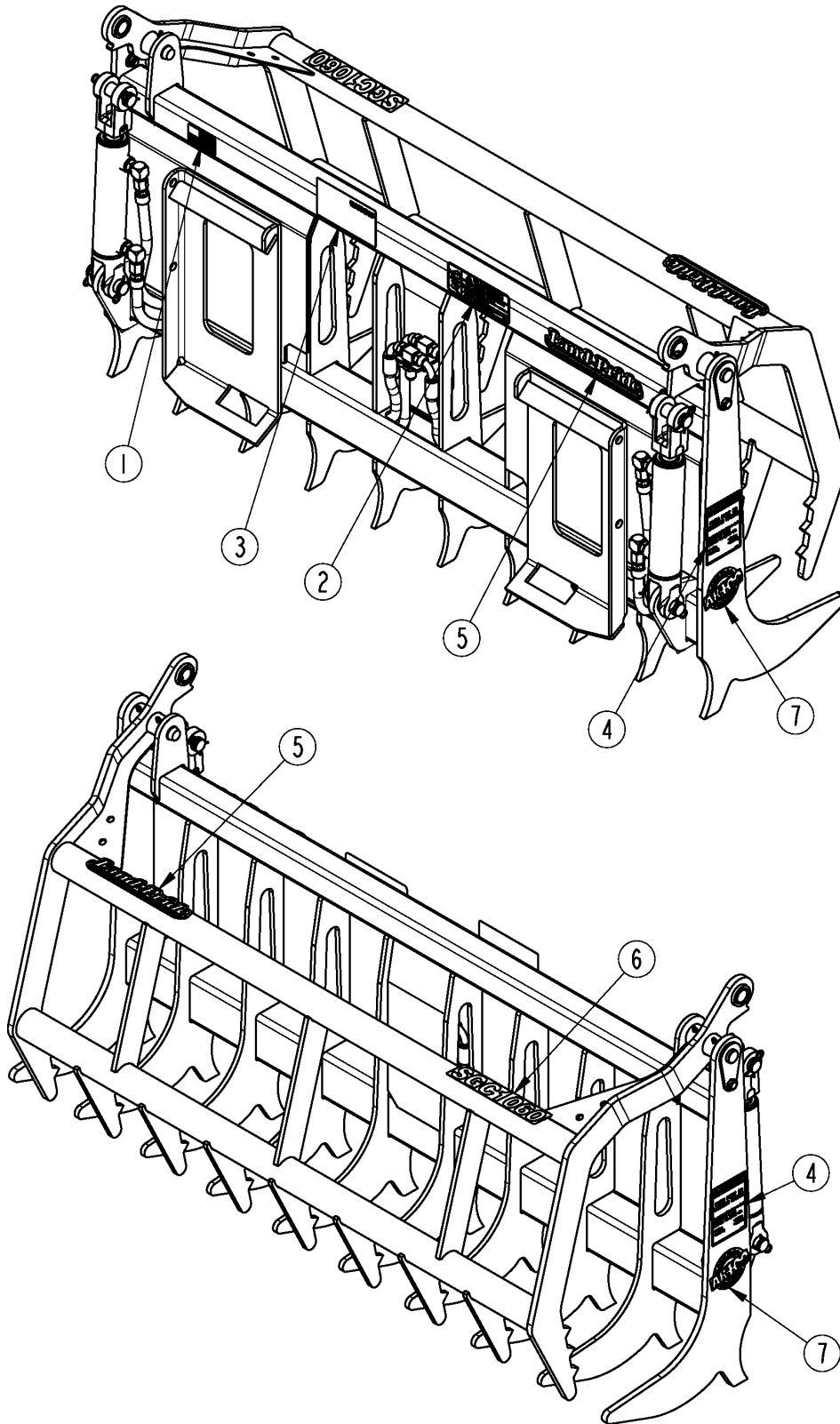
33401

Hydraulic Cylinder (810-734C) Monarch**Applies to SGC1060, SGC1072**

Ref	Part No.	Part Description	Comments	Revision
	Dwg 33401 810-734C	Drawing Image Number CYL 2X6X1.125 WELDED *		
1.	130556	MON PISTON NUT		
2.	138006	MON RETAINING RING INT 2.00		
3.	138007	MON RETAINING RING EXT 2.00		
4.	148000	MON SET SCREW 3/8INC ONE PIECE		
5.	N/A	MON WEAR RING 1.25-1.13-0.250		
6.	N/A	MON WEAR RING 2.00-1.88-0.260		
7.	N/A	MON SEAL ZURCON U-CUP RU9 1.13		
8.	N/A	MON SEAL ZURCON WYNSEAL 2.00		
9.	N/A	MON SEAL DUAL 2.00-.208		
10.	N/A	MON SEAL WIPER 1.13 WNUC TSS		
11.	258753	MON CYL HEAD 2.00-1.13-WET-TSS		
12.	258851	MON PISTON 2.00-.75-TSS-ISO-WR		
13.	492650	LION ROD CLEVIS 1 1/8-12UNF		
14.	741798	MON TUBE WELDT 2.00-06.00-W		
15.	741800	MON ROD CYL 1.12-06-0.75-1.12		
16.	134952	LION PIN CLIP-CLEVIS		
17.	649190	RPBY 850-310C	Obsolete	

Decal Placement

Applies to SGC1060, SGC1072



35569

Decal Placement

Applies to SGC1060, SGC1072

Ref	Part No.	Part Description	Comments	Revision
	dwg35569	Drawing Image Number		
1.	818-190C	DECAL FLAG		
2.	838-094C	DECAL WARNING HYD PRESS LONG		
3.	838-293C	DECAL WARNING READ MANUAL		
4.	838-378C	DECAL WARNING PINCH/CRUSH		
5.	848-159C	DECAL LANDPRIDE 10" BROWN/GOLD		
6.	858-073C	DECAL, SGC1060 GOLD		
6.	858-072C	DECAL, SGC1072 GOLD		
7.	858-108C	DECAL, AR400 STEEL		

Land Pride Touch-up Paints

Applies to SGC1060, SGC1072

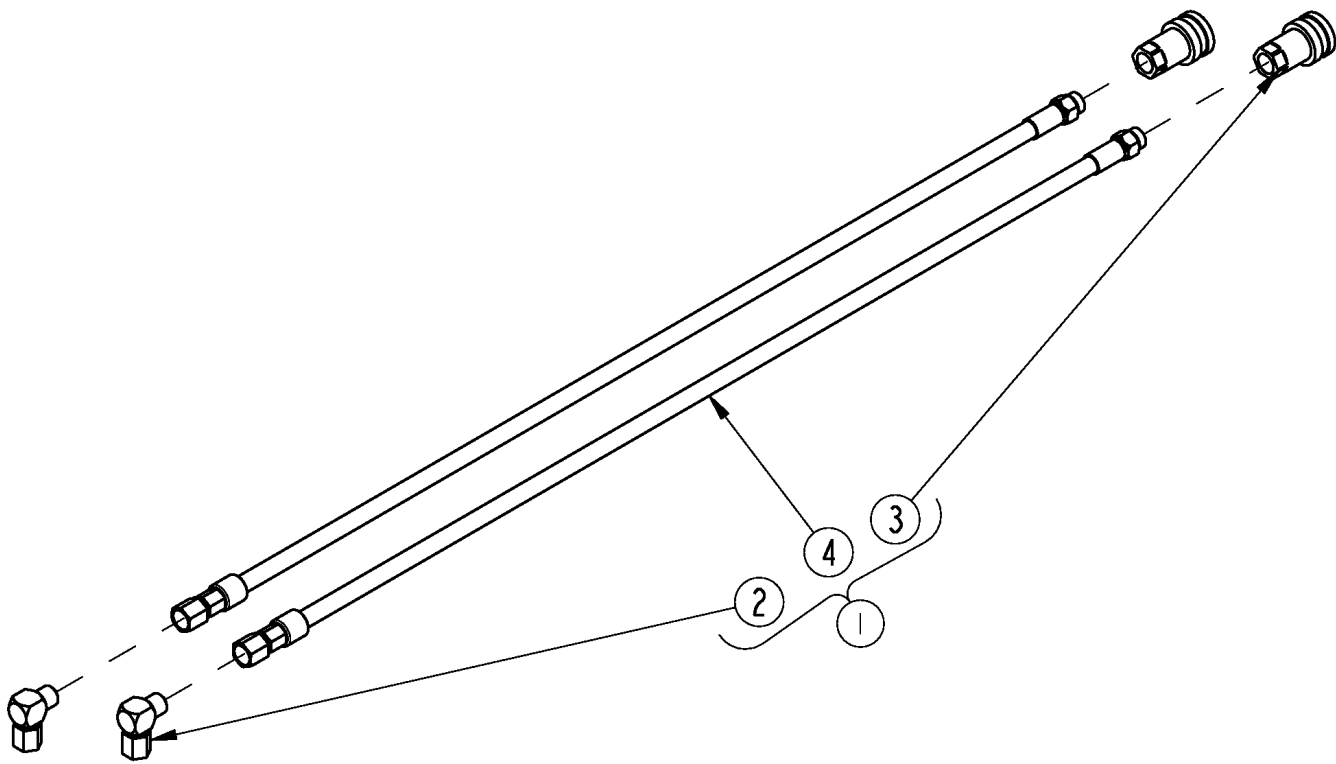
No diagram associated with this Parts List

Land Pride Touch-up Paints**Applies to SGC1060, SGC1072**

Ref	Part No.	Part Description	Comments	Revision
1.	821-011C	LP BEIGE SPRAY CAN	Spray can	
1.	821-011CTU	LP BEIGE TOUCH-UP 5OZ	Touch-up bottle with brush	
1.	821-011CQT	LP BEIGE QUART	Quart can	
1.	821-011CGL	LP BEIGE GALLON	Gallon can	
2.	821-070C	GLOSS BLACK SPRAY CAN	Spray can	
2.	821-070CTU	GLOSS BLACK TOUCH-UP 5OZ	Touch-up bottle with brush	
2.	821-070CQT	GLOSS BLACK QUART	Quart can	
2.	821-070CGL	GLOSS BLACK GALLON	Gallon can	
3.	821-054C	MED. RED SPRAY TRCK/CTR	Spray can	
3.	821-054CTU	MED RED TOUCH-UP 5OZ	Touch-up bottle with brush	
3.	821-054CQT	MED RED QUART	Quart can	
3.	821-054CGL	MED RED GALLON	Gallon can	
4.	821-058C	GREEN SPRAY CUTTERS	Spray can	
4.	821-058CTU	GREEN TOUCH-UP 5OZ	Touch-up bottle with brush	
4.	821-058CQT	GREEN QUART	Quart can	
4.	821-058CGL	GREEN GALLON	Gallon can	
5.	821-066C	ORANGE SPRAY CAN	Spray can	
5.	821-066CTU	ORANGE TOUCH-UP 5OZ	Touch-up bottle with brush	
5.	821-066CQT	ORANGE QUART	Quart can	
5.	821-066CGL	ORANGE GALLON	Gallon can	
6.	821-067C	BLUE SPRAY CAN	Spray can	
6.	821-067CTU	BLUE TOUCH-UP 5OZ	Touch-up bottle with brush	
6.	821-067CQT	BLUE QUART	Quart can	
6.	821-067CGL	BLUE GALLON	Gallon can	
7.	821-080C	PAINT ALUMINUM/ZINC SPRAY CAN	Spray can	
7.	821-080CTU	PAINT ALUMINUM/ZINC TOUCH UP	Touch-up bottle with brush	
7.	821-080CQT	PAINT ALUMINUM/ZINC QUART	Quart can	
7.	821-080CGL	PAINT ALUMINUM/ZINC GALLON	Gallon can	

Third Function Hose Kit 380-150A

Applies to SGC1060, SGC1072



37014

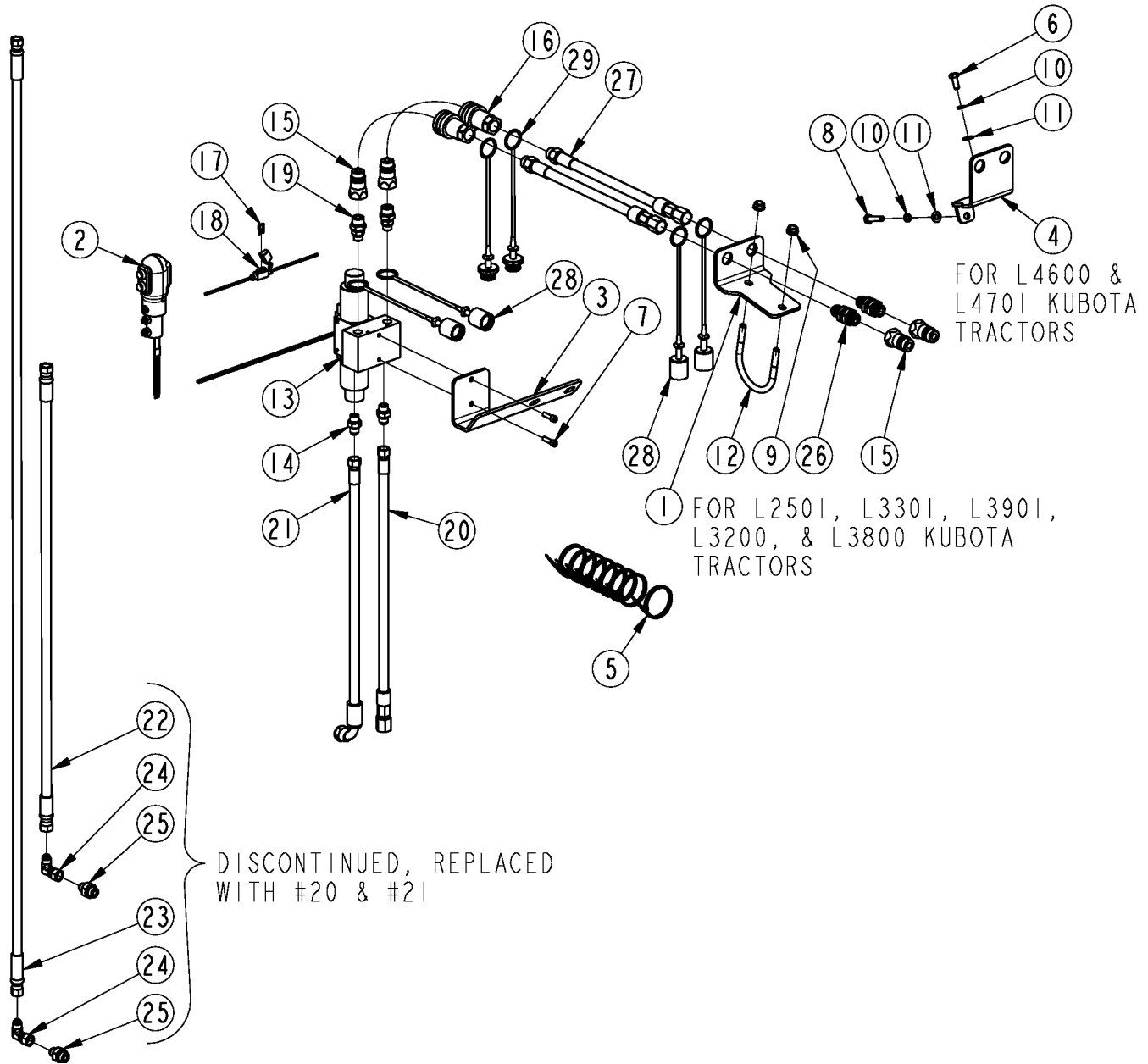
Third Function Hose Kit 380-150A

Applies to SGC1060, SGC1072

Ref	Part No.	Part Description	Comments	Revision
	Dwg 37014	Drawing Image Number		
1.	380-150A	HOSE KIT, THIRD FUNCTION		
2.	811-150C	EL 3/4FJIC 3/4MJIC		
3.	811-870C	CP 3/4FORB QD FEMALE (POPPET)		
4.	851-090C	HH3/8R2 044 3/4FJIC 3/4MORB		

Third Function Valve Kit 380-152A for Kubota L2501 L3200 L3800 L3301 L3901 L4600 & L4701

Applies to SGC1060, SGC1072

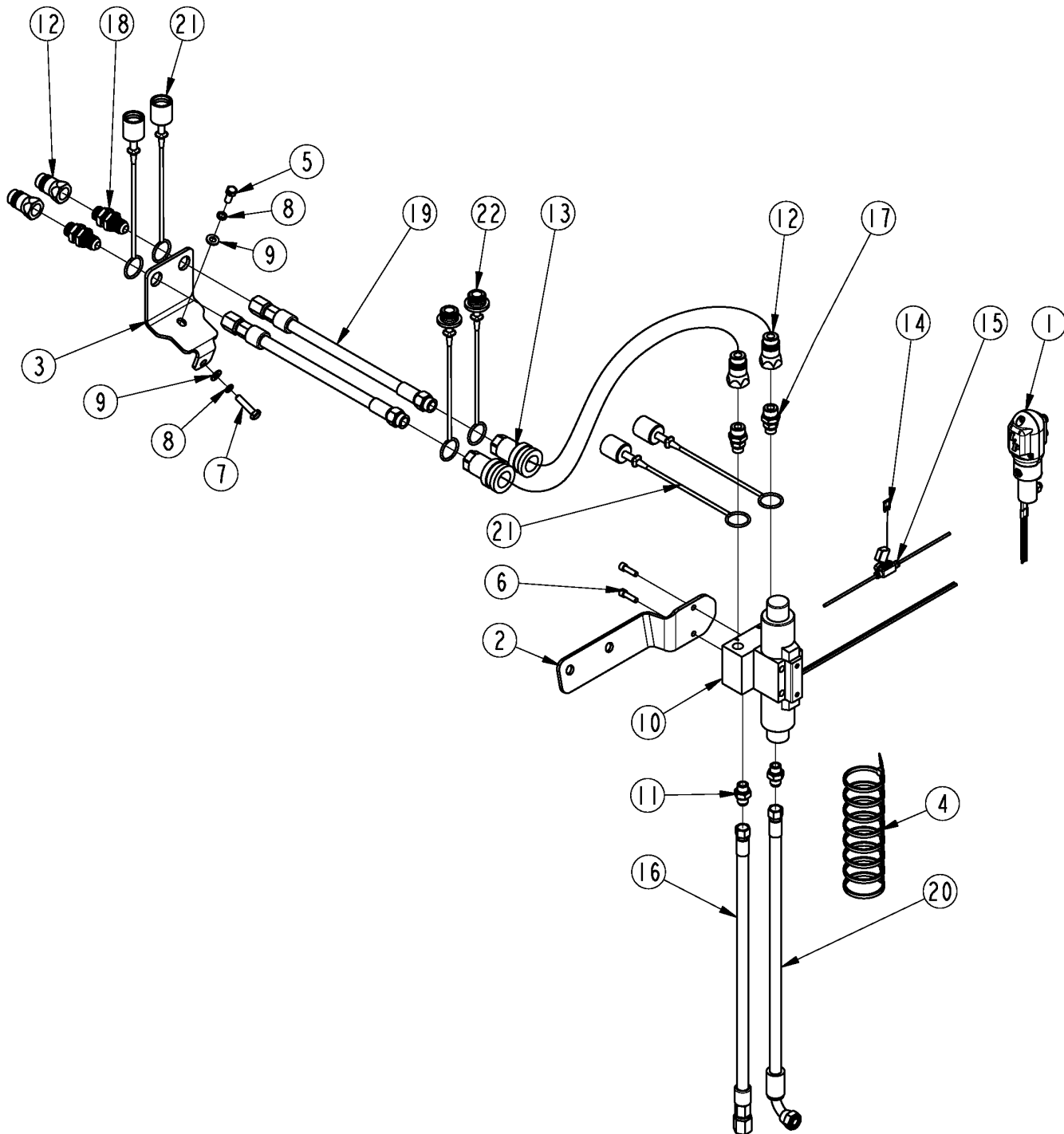


**Third Function Valve Kit 380-152A for Kubota L2501 L3200 L3800 L3301
L3901 L4600 & L4701****Applies to SGC1060, SGC1072**

Part No.	Part Description	Comments	Revision
Dwg 37198	Image No.		
380-152A	VALVE KIT L3301 3RD FNCTION *		
1. 380-164D	PLATE, BLKHD MOUNT		
2. 380-165S	ASY, PUSH BUTTON CNTRL HNDL		
3. 380-234D	BRKT, VALVE MOUNT		
4. 380-255D	PLATE, BLKHD MOUNT		
5. 800-112C	CABLE TIE .19X7.25 1.75D 50LB		
6. 802-314C	HHCS M8X1.25X20 GR8.8		
7. 802-418C	HSHCS 1/4-20X7/8		
8. 802-967C	HHCS M8X1.25X35 GR8.8		
9. 803-198C	NUT HEX WHIZ 3/8-16 PLT		
10. 804-157C	WASHER SPRING LOCK M8 PLT		
11. 804-161C	WASHER FLAT M8 PLT		
12. 806-261C	U-BOLT 3/8-16X3X3 5/8 RND		
13. 810-926C	VALVE, THIRD FUNCTION		
14. 811-170C	AD 9/16MORB 9/16MJIC		
15. 811-394C	CP 3/4FORB MALE QD POPPET TYPE		
16. 811-870C	CP 3/4FORB QD FEMALE (POPPET)		
17. 833-495C	FUSE, 10 AMP MINI BLADE		
18. 833-650C	BLADE FUSE HOLDER, MINI		
19. 851-084C	AD 9/16MORB 3/4MORB		
20. 841-331C	HH3/8R2 035 3/4FJIC 9/16FJIC		
21. 851-490C	HH3/8R2 035 3/4FJIC90 9/16FJIC		
22. 811-701C	HH3/8R2 033 9/16FJIC		
23. 811-703C	HH3/8R2 068 9/16FJIC		
24. 811-169C	EL 9/16MJIC 9/16FJIC		
25. 851-349C	AD 9/16MJIC 3/8MBSPP		
26. 851-344C	AD 3/4MJIC 3/4MORB BLKHD W/ LN		
27. 851-376C	HH3/8R2 086 3/4FJIC 3/4MORB		
28. 851-974C	DUST CAP, 1/2" QD AG		
29. 851-975C	DUST PLUG, 1/2" QD AG		

Third Function Valve Kit 380-166A for Kubota MX4700, MX4800, MX5100, MX5200, MX5800, & MX6899

Applies to SGC1060, SGC1072

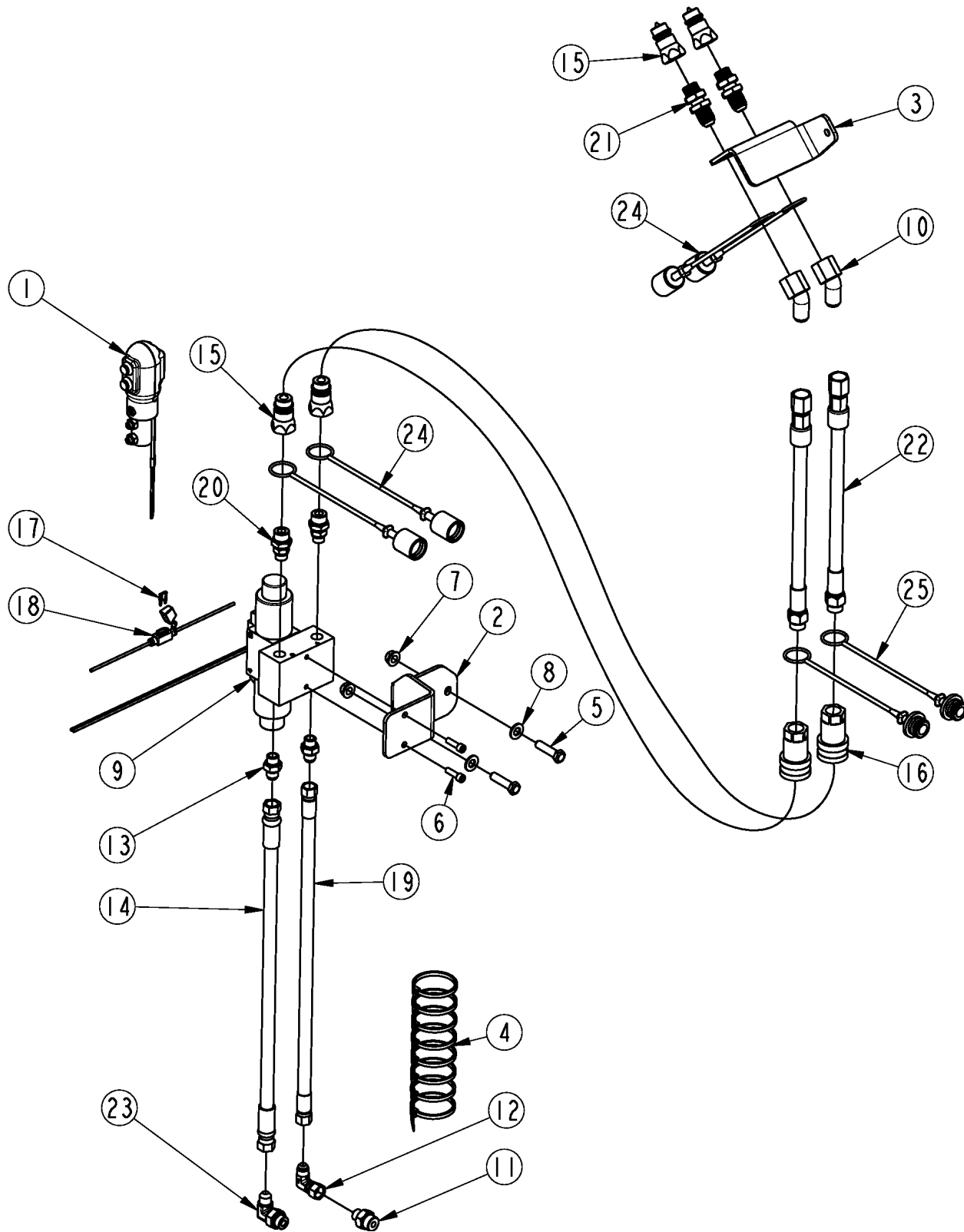


Third Function Valve Kit 380-166A for Kubota MX4700, MX4800, MX5100, MX5200, MX5800, & MX6899**Applies to SGC1060, SGC1072**

Part No.	Part Description	Comments	Revision
Dwg 37543	Image No.		
380-166A	VALVE KIT MX5200 3RD FNCTION *		
1.	380-165S	ASY, PUSH BUTTON CNTRL HNDL	
2.	380-254D	BRKT, VALVE MOUNT	
3.	380-255D	PLATE, BLKHD MOUNT	
4.	800-112C	CABLE TIE .19X7.25 1.75D 50LB	
5.	802-314C	HHCS M8X1.25X20 GR8.8	
6.	802-418C	HSHCS 1/4-20X7/8	
7.	802-967C	HHCS M8X1.25X35 GR8.8	
8.	804-157C	WASHER SPRING LOCK M8 PLT	
9.	804-161C	WASHER FLAT M8 PLT	
10.	810-926C	VALVE, THIRD FUNCTION	
11.	811-170C	AD 9/16MORB 9/16MJIC	
12.	811-394C	CP 3/4FORB MALE QD POPPET TYPE	
13.	811-870C	CP 3/4FORB QD FEMALE (POPPET)	
14.	833-495C	FUSE, 10 AMP MINI BLADE	
15.	833-650C	BLADE FUSE HOLDER, MINI	
16.	841-331C	HH3/8R2 035 3/4FJIC 9/16FJIC	
17.	851-084C	AD 9/16MORB 3/4MORB	
18.	851-344C	AD 3/4MJIC 3/4MORB BLKHD W/ LN	
19.	851-489C	HH3/8R2 098 3/4FJIC 3/4MORB	
20.	851-490C	HH3/8R2 035 3/4FJIC90 9/16FJIC	
21.	851-974C	DUST CAP, 1/2" QD AG	
22.	851-975C	DUST PLUG, 1/2" QD AG	

Third Function Valve Kit 380-168A for Kubota B3350 B2650 & LA534 LA534A

Applies to SGC1060, SGC1072



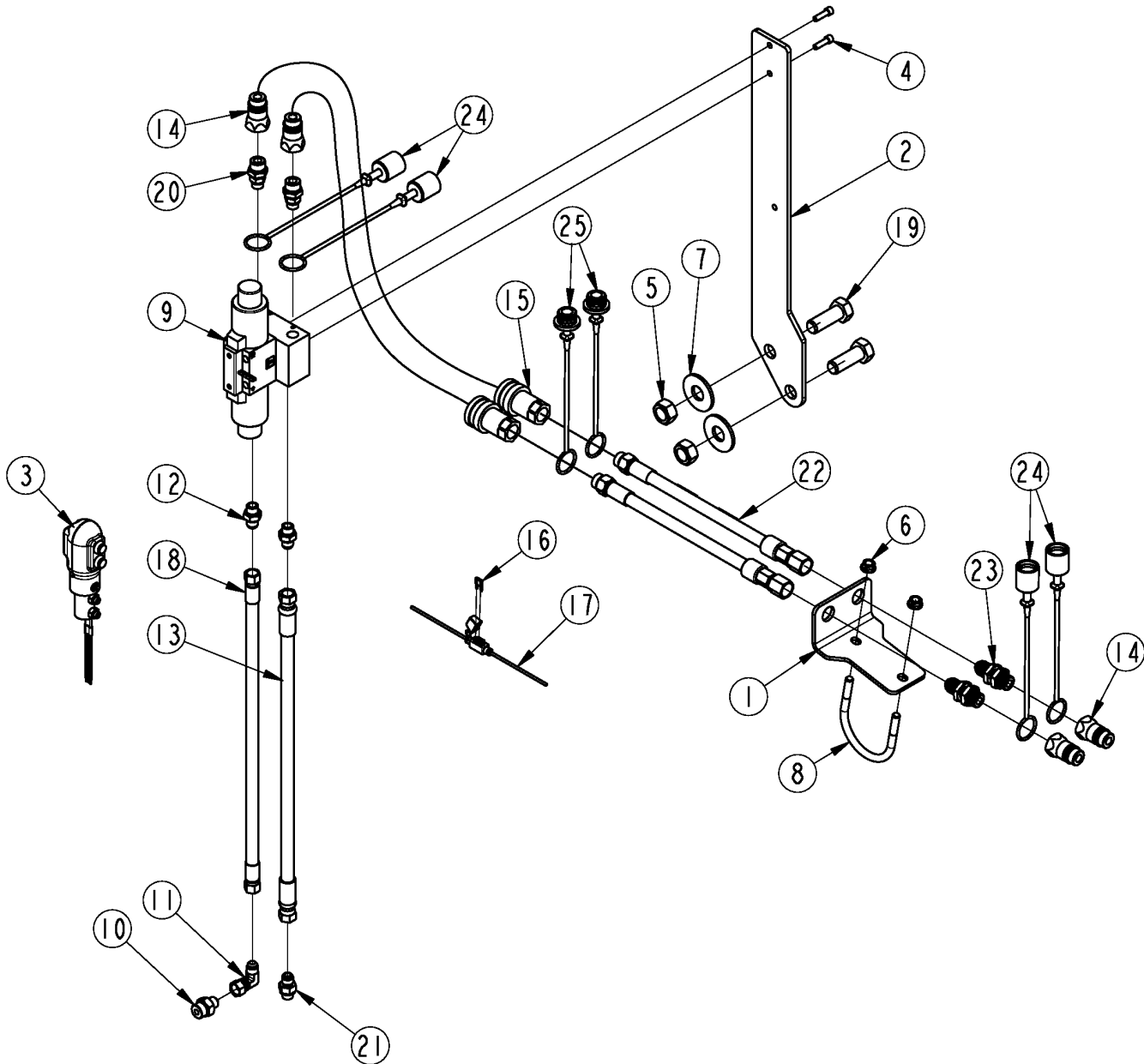
37632

Third Function Valve Kit 380-168A for Kubota B3350 B2650 & LA534 LA534A**Applies to SGC1060, SGC1072**

Ref	Part No.	Part Description	Comments	Revision
	Dwg 37632	Image No.		
	380-168A	VALVE KIT B3350 3RD FNCTION		
1.	380-165S	ASY, PUSH BUTTON CNTRL HNDL		
2.	380-256D	BRKT, VALVE MOUNT		
3.	380-257D	PLATE, BLKHD MOUNT		
4.	800-112C	CABLE TIE .19X7.25 1.75D 50LB		
5.	802-022C	HHCS 3/8-16X1 1/2 GR5		
6.	802-418C	HSHCS 1/4-20X7/8		
7.	803-209C	NUT FLANGE LOCK 3/8-16 PLT		
8.	804-012C	WASHER FLAT 3/8 SAE PLT		
9.	810-926C	VALVE, THIRD FUNCTION		
10.	811-040C	EL 45 3/4MJIC 3/4FJIC		
11.	811-133C	AD 9/16MJIC 3/4MORB		
12.	811-169C	EL 9/16MJIC 9/16FJIC		
13.	811-170C	AD 9/16MORB 9/16MJIC		
14.	811-253C	HH3/8R2 062 9/16FJIC		
15.	811-394C	CP 3/4FORB MALE QD POPPET TYPE		
16.	811-870C	CP 3/4FORB QD FEMALE (POPPET)		
17.	833-495C	FUSE, 10 AMP MINI BLADE		
18.	833-650C	BLADE FUSE HOLDER, MINI		
19.	841-563C	HH3/8R2 048 FJIC9/16FJIC9/16		
20.	851-084C	AD 9/16MORB 3/4MORB		
21.	851-344C	AD 3/4MJIC 3/4MORB BLKHD W/ LN		
22.	851-376C	HH3/8R2 086 3/4FJIC 3/4MORB		
23.	851-768C	EL 3/8MBSPP 9/16MJIC		
24.	851-974C	DUST CAP, 1/2" QD AG		
25.	851-975C	DUST PLUG, 1/2" QD AG		

Thrid Function Valve Kit 380-093A for Kubota B3300 & LA504

Applies to SGC1060, SGC1072



37013

Third Function Valve Kit 380-093A for Kubota B3300 & LA504**Applies to SGC1060, SGC1072**

Ref	Part No.	Part Description	Comments	Revision
	Dwg 37013	Drawing Image Number		
	380-093A	VALVE KIT B3300 3RD FNCTION *		
1.	380-164D	PLATE, BLKHD MOUNT		
2.	380-165D	PLATE, VALVE MOUNT		
3.	380-165S	ASY, PUSH BUTTON CNTRL HNDL		
4.	802-418C	HSHCS 1/4-20X7/8		
5.	803-112C	NUT HEX M18X2.5		
6.	803-198C	NUT HEX WHIZ 3/8-16 PLT		
7.	804-024C	WASHER FLAT 3/4 USS PLT		
8.	806-261C	U-BOLT 3/8-16X3X3 5/8 RND		
9.	810-926C	VALVE, THIRD FUNCTION		
10.	811-133C	AD 9/16MJIC 3/4MORB		
11.	811-169C	EL 9/16MJIC 9/16FJIC		
12.	811-170C	AD 9/16MORB 9/16MJIC		
13.	811-253C	HH3/8R2 062 9/16FJIC		
14.	811-394C	CP 3/4FORB MALE QD POPPET TYPE		
15.	811-870C	CP 3/4FORB QD FEMALE (POPPET)		
16.	833-495C	FUSE, 10 AMP MINI BLADE		
17.	833-650C	BLADE FUSE HOLDER, MINI		
18.	841-563C	HH3/8R2 048 FJIC9/16FJIC9/16		
19.	842-216C	HHCS M18X2.5X50 GR8.8 FTHD		
20.	851-084C	AD 9/16MORB 3/4MORB		
21.	851-087C	AD 9/16MJIC 1/4MBSPP		
22.	851-088C	HH3/8R2 074 3/4FJIC 3/4MORB		
23.	851-344C	AD 3/4MJIC 3/4MORB BLKHD W/ LN		
24.	851-974C	DUST CAP, 1/2" QD AG		
25.	851-975C	DUST PLUG, 1/2" QD AG		



Part Number Index

The Part Number Index is a numeric index of all part numbers included in this manual. The index shows what page(s) the part is used on.

Part Number	Page	Part Number	Page
130556	15	821-011C	19
134952	15	821-011CGL	19
138006	15	821-011CQT	19
138007	15	821-011CTU	19
148000	15	821-054C	19
258753	15	821-054CGL	19
258851	15	821-054CQT	19
380-078H	11	821-054CTU	19
380-079H	7, 9, 11	821-058C	19
380-081H	7, 9, 11	821-058CGL	19
380-082H	11	821-058CQT	19
380-087H	7, 9, 11	821-058CTU	19
380-093A	29	821-066C	19
380-114H	7	821-066CGL	19
380-115H	7	821-066CQT	19
380-139H	9	821-066CTU	19
380-140H	9	821-067C	19
380-150A	21	821-067CGL	19
380-152A	23	821-067CQT	19
380-155D	7	821-067CTU	19
380-164D	23, 29	821-070C	19
380-165D	29	821-070CGL	19
380-165S	23, 25, 27, 29	821-070CQT	19
380-166A	25	821-070CTU	19
380-168A	27	821-080C	19
380-234D	23	821-080CGL	19
380-254D	25	821-080CQT	19
380-255D	23, 25	821-080CTU	19
380-256D	27	833-495C	23, 25, 27, 29
380-257D	27	833-650C	23, 25, 27, 29
380-305C	9	838-094C	17
380-305H	7, 11	838-293C	17
492650	15	838-378C	17
649190	15	841-331C	23, 25
741798	15	841-563C	27, 29
741800	15	842-216C	29
800-001C	7, 9, 11	848-159C	17
800-080C	7, 9, 11	851-070C	13
800-112C	23, 25, 27	851-071C	13
802-022C	27	851-072C	13
802-034C	7, 9, 11	851-073C	13
802-152C	7	851-084C	23, 25, 27, 29
802-314C	23, 25	851-087C	29
802-418C	23, 25, 27, 29	851-088C	29
802-967C	23, 25	851-090C	21
803-112C	29	851-344C	23, 25, 27, 29
803-169C	7, 9, 11	851-349C	23
803-198C	23, 29	851-376C	23, 27
803-209C	27	851-489C	25
803-255C	7	851-490C	23, 25
804-012C	27	851-768C	27
804-024C	29	851-974C	23, 25, 27, 29
804-157C	23, 25	851-975C	23, 25, 27, 29
804-161C	23, 25	858-072C	17
806-261C	23, 29	858-073C	17
810-734C	13, 15	858-108C	17
810-926C	23, 25, 27, 29	890-005C	7, 9, 11
811-039C	13	Dwg 12345	7
811-040C	27	Dwg 33401	15
811-063C	13	Dwg 35566	11
811-133C	27, 29	Dwg 35819	9
811-150C	21	Dwg 37013	29
811-169C	23, 27, 29	Dwg 37014	21
811-170C	23, 25, 27, 29	Dwg 37198	23
811-253C	27, 29	Dwg 37543	25
811-394C	23, 25, 27, 29	Dwg 37632	27
811-701C	23	dwg35568	13
811-703C	23	dwg35569	17
811-870C	21, 23, 25, 27, 29	N/A	15
818-190C	17		

This Page Intentionally Left Blank



Great Plains Manufacturing, Inc.

Corporate Office: P.O. Box 5060
Salina, Kansas 67402-5060 USA

www.landpride.com
