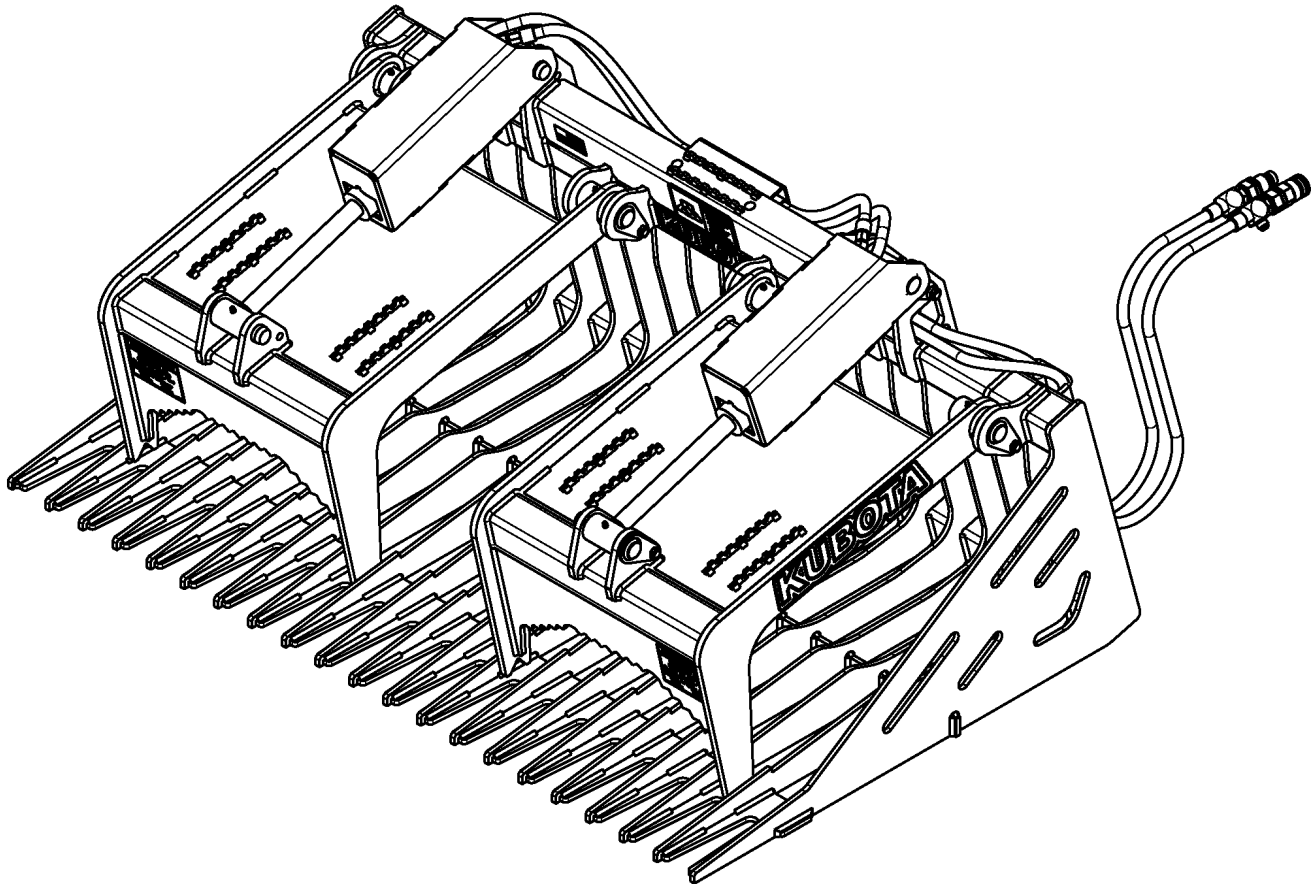


Grapples

AP-SGR1566, AP-SGR1572, & AP-SGR1578



37843

380-054PK **Parts Manual**

Kubota®



Read the Operator's Manual entirely. When you see this symbol, the subsequent instructions and warnings are serious - follow without exception. Your life and the lives of others depend on it!

© Copyright 2015 Printed 10/27/16

Cover photo may show optional equipment not supplied with standard unit.



Table of Contents

Section 1: Introduction.....	4
Using This Manual.....	4
Manual Replacement Information.....	4
Manual Revisions.....	4
Touch-up Paint.....	4
Hardware Legend.....	5
Replacement Hardware.....	5
Serial Numbers.....	5
Part Number Service Coding.....	5
Section 2: Main Assembly.....	6
Grapple Hook & Bucket.....	6
Hydraulic Components.....	8
Hydraulic Cylinder (810-815C).....	10
Section 3: Options & Accessories.....	12
Hydraulic Hose Option Kubota SVL.....	12
Shield Hydraulic Cylinder.....	14
Upper Grapple Option.....	16
Section 4: Labels.....	18
Label Placement.....	18
Part Number Index.....	20

© Copyright 2015. All rights reserved.

Kubota provides this publication “as is” without warranty of any kind, either expressed or implied. While every precaution has been taken in the preparation of this manual, Kubota assumes no responsibility for errors or omissions. Neither is any liability assumed for damages resulting from the use of the information contained herein. Kubota reserves the right to revise and improve its products as it sees fit. This publication describes the state of this product at the time of its publication, and may not reflect the product in the future. The illustrations in this manual are not intended for safe and proper assembly or disassembly of equipment. The illustrations are intended for ordering parts only.

Kubota is registered trademark.

All other brands and product names are trademarks or registered trademarks of their respective holders.

Printed in the United States of America.



Alphabetized Table of Contents

G	
Grapple Hook & Bucket.....	6
H	
Hydraulic Components.....	8
Hydraulic Cylinder (810-815C).....	10
Hydraulic Hose Option Kubota SVL.....	12
L	
Label Placement.....	18
S	
Shield Hydraulic Cylinder.....	14
U	
Upper Grapple Option.....	16

General Information

Using This Manual

This manual is divided into sections. The first section contains General Information. The remaining sections divide the machine into segments (i.e. Frames, Drives, Hydraulics, etc.) which illustrate and list all parts. A Parts Number Index is located at the back of the book.

The Kubota parts in this manual are specially designed for this machine and should be replaced with Kubota parts only.

The information in this manual is current at time of printing. Some parts may change to assure top performance.

Right-hand and left-hand as used in this manual are determined by facing the direction the machine will travel while in use.

Below is an example of two facing pages from a parts manual. Familiarize yourself with the type of information contained on these pages.

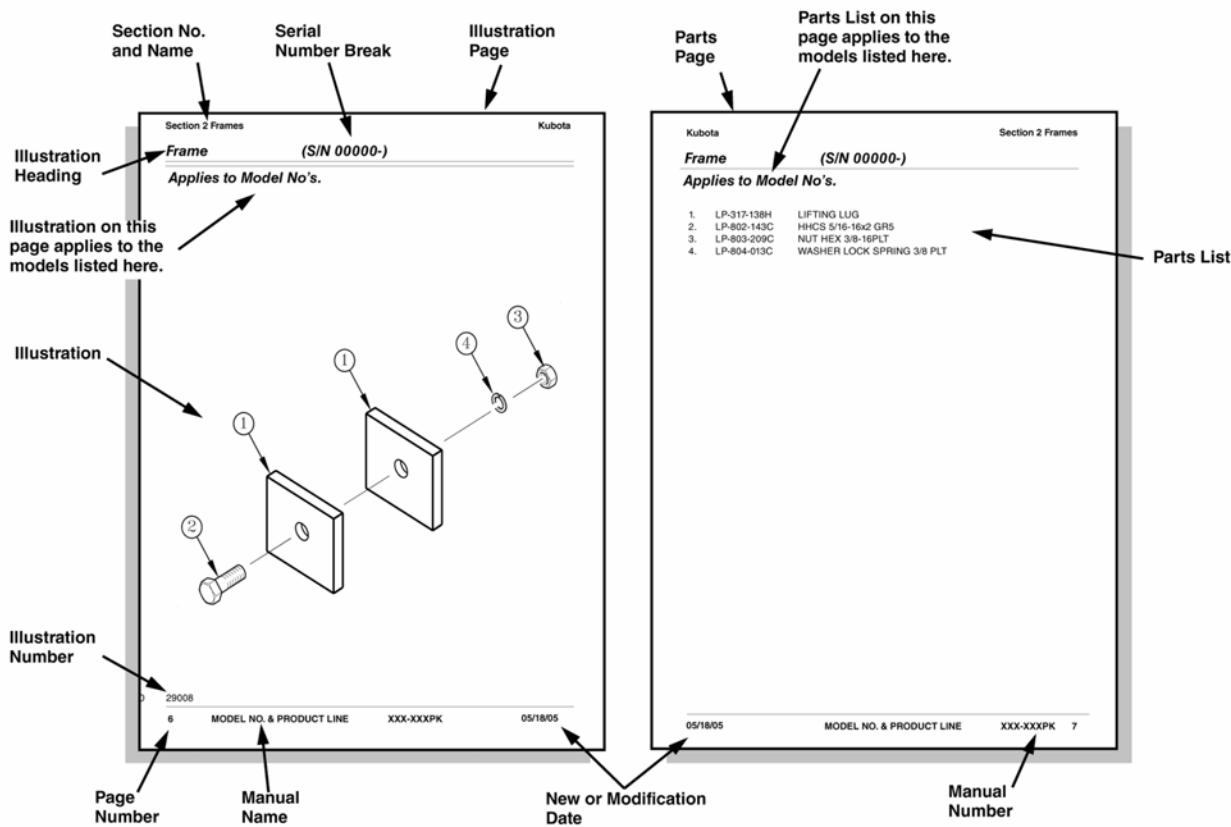
Manual Replacement Information

Replacement manuals are available. Refer to our website at www.kubota.com for additional information. Our website continues to provide the most up-to-date manuals available.

Touch-up Paint

Repaint parts where paint is worn or scratched to prevent rust. Kubota touch-up paints are available through your local Kubota dealer. Part numbers and color descriptions are listed below.

Part No.	Part Description
821-070C	GP Gloss black enamel spray can
821-070CTU	GP Gloss black enamel bottle with brush
821-070CQT	GP Gloss black enamel quart
821-070CGL	GP Gloss black enamel gallon



General Information

Hardware Legend

AR	As Required
BLADE	Blade Bolt
C	Cap Screw
CP	Cotter Pin
CPHSSS	Cup Point Hex Socket Set Screw
CPSHSS	Cup Point Square Head Set Screw
CPSQHSS	Cup Point Square Head Set Screw
CRFCHMS3	Cross Recess Flat Countersunk Head Machine Screw
CRPHMS	Cross Recess Pan Head Machine Screw
CRPHTFS	Cross Recess Pan Head Thread Forming
CRRHMS	Cross Recess Round Head Machine Screw
CRTHMS	Cross Recess Truss Head Machine Screw
CSNB	Countersunk Square Neck Bolt
FHMS	Flat Head Machine Screw
FTC	Full Thread Cap Screw
H	Hex Nut
HCLN	Hex Center Lock Nut
HFLCS	Hex Flange Lock Cap Screw
HFS	Hex Flange Screw
HFSLN	Hex Flange Serrated Lock Nut
HFSS	Hex Flange Serrated Screw
HHCS	Hex Head Cap Screw or Metric Bolt
HSBHCS	Hex Socket Button Head Cap Screw
HSFCHCS	Hex Socket Flat Countersunk Head Cap Screw
HSHCS	Hex Socket Head Cap Screw
HSSS	Hex Socket Head Screw
HTLN	Hex Top Lock Nut
HWHCS	Hex Washer Head Cap Screw

HWHMS	Hex Washer Head Machine Screw
HXBHCS	Hex Socket Button Head Cap Screw
J	Hex Jam Nut
JIC	37 Degree Tapered Thread
L	Helical Spring Lock Washer
LUG	Lug Bolt
NFC	National Fine Cap Screw
NPSM	National Pipe Straight Mechanical
NPTF	National Pipe Taper Fuel
P	Wide Plain Washer
PHMS	Pan Head Machine Screw
PLOW	Plow Bolt
RHMS	Round Head Machine Screw
RHSNB	Round Head Square Neck Bolt
SCREW LEVELING	Leveling Screw
SCREW THUMB	Thumb Screw
SCREW WELD	Weld Screw
SFCHMS	Slotted Flat Countersunk Head Machine Screw
SFHMS	Slotted Fillister Head Machine Screw
SP	Special
SP SCREW	Special Screw
SQHSS	Square Head Set Screw
SRHMS	Slotted Round Head Machine Screw
SSS	Socket Set Screw
STCS	Self Tapping Cap Screw
STHMS	Slotted Truss Head Machine Screw
WHEEL	Wheel Studs and Hub Long Bolts
WING	Wing Bolt

Replacement Hardware

The **Hardware Legend** above lists hardware abbreviations used in the parts list. All bolts and nuts are Grade 5 unless otherwise noted. The use of improper grades of hardware can result in personal injury, damage to equipment, or loss of property.

Part Number Service Coding

Within the parts list some part numbers are coded for revisions and interchangeability. See notations in revision column.

Serial Numbers

Always use the serial and model number when ordering parts. Refer to the Operator's Manual for serial number plate location.

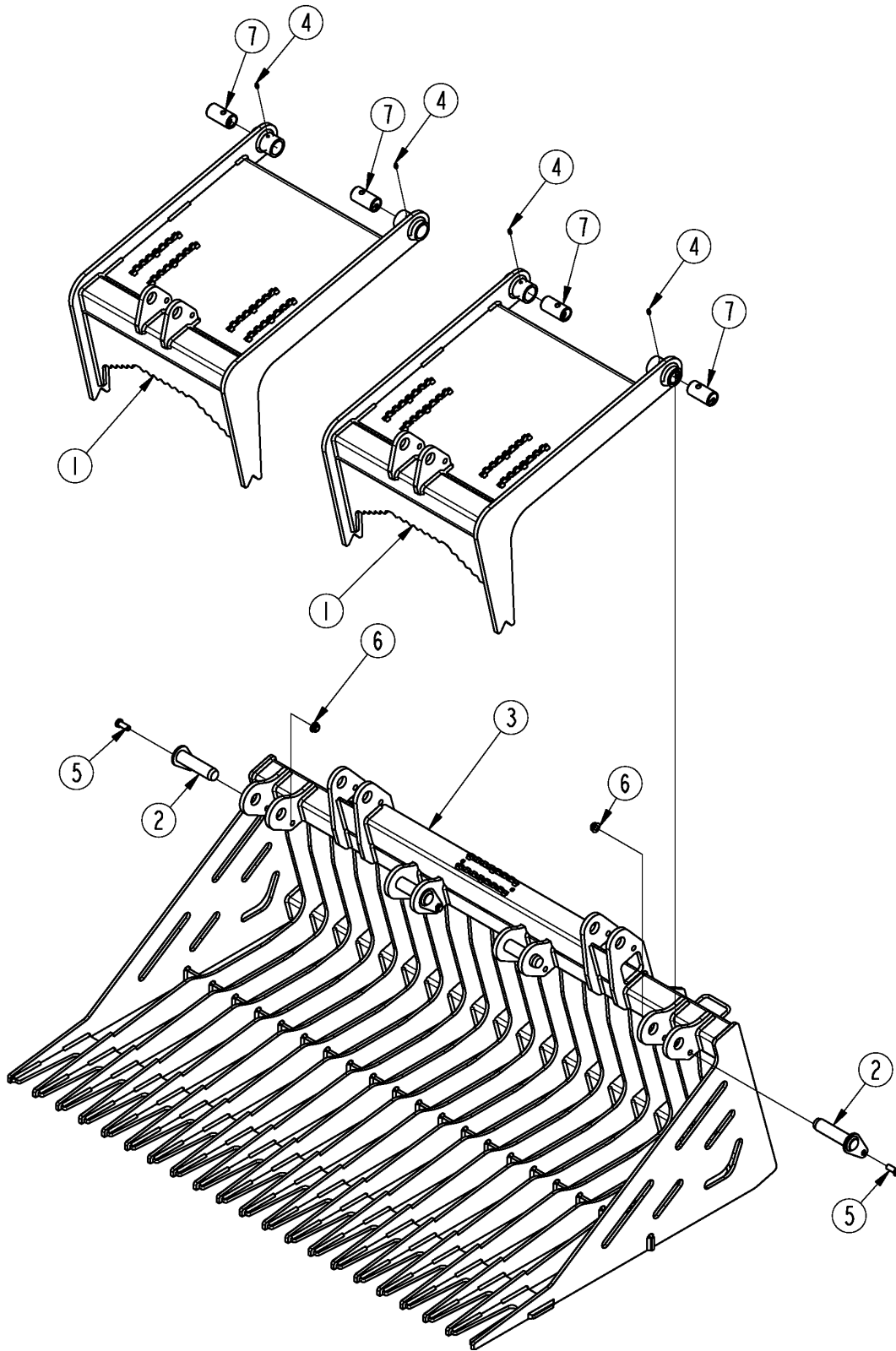
(S/N 20001+) Includes serial numbers 20001 and above (to the latest number)

(S/N 10001 to 20000) Includes serial numbers between and including 10001 and 20000

(S/N 10000-) Includes serial numbers 10000 and below (to the earliest number)

Grapple Hook & Bucket

Applies to AP-SGR1566, AP-SGR1572, AP-SGR1578



37844

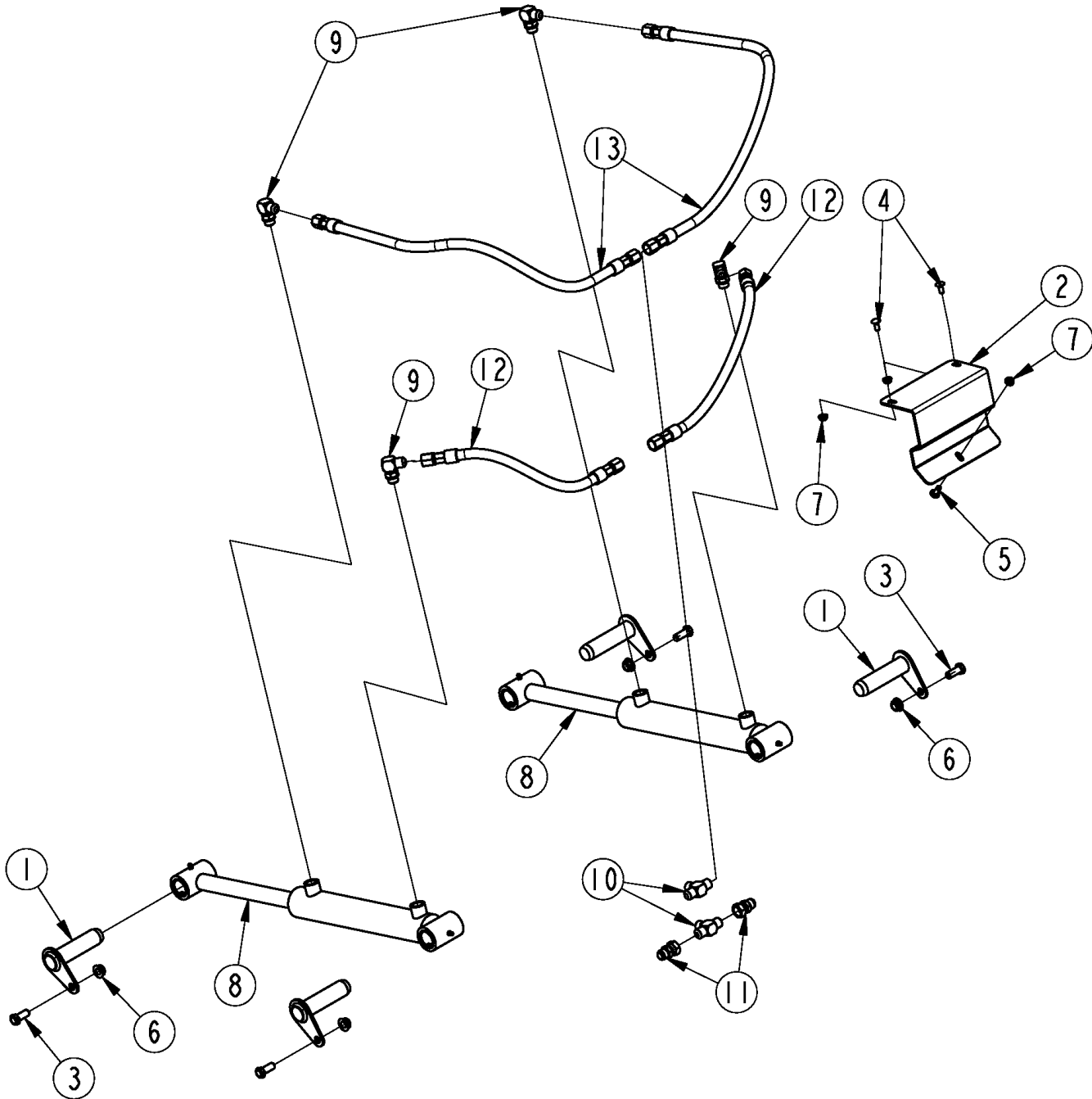
Grapple Hook & Bucket

Applies to AP-SGR1566, AP-SGR1572, AP-SGR1578

Ref	Part No.	Part Description	Comments	Revision
	Dwg 37844	Drawing Image Number		
1.	380-015H	WLDMT, GRAPPLE CLAW		
2.	380-020H	PIN, CYL SHIELD PIVOT		
3.	380-024H	WLDMT, ROCK GRAPPLE BUCKET 66		
3.	380-059H	WLDMT, ROCK GRAPPLE BUCKET 72		
3.	380-026H	WLDMT, ROCK GRAPPLE BUCKET 78		
4.	800-080C	GREASE ZERK 1/4-28 THD FORMING		
5.	802-034C	HHCS 1/2-13X1 1/4 GR5		
6.	803-169C	NUT HEX FLG LOCK 1/2-13 PLT		
7.	890-389C	BUSHING 1.50ODX1.25IDX2.94		

Hydraulic Components

Applies to AP-SGR1566, AP-SGR1572, AP-SGR1578



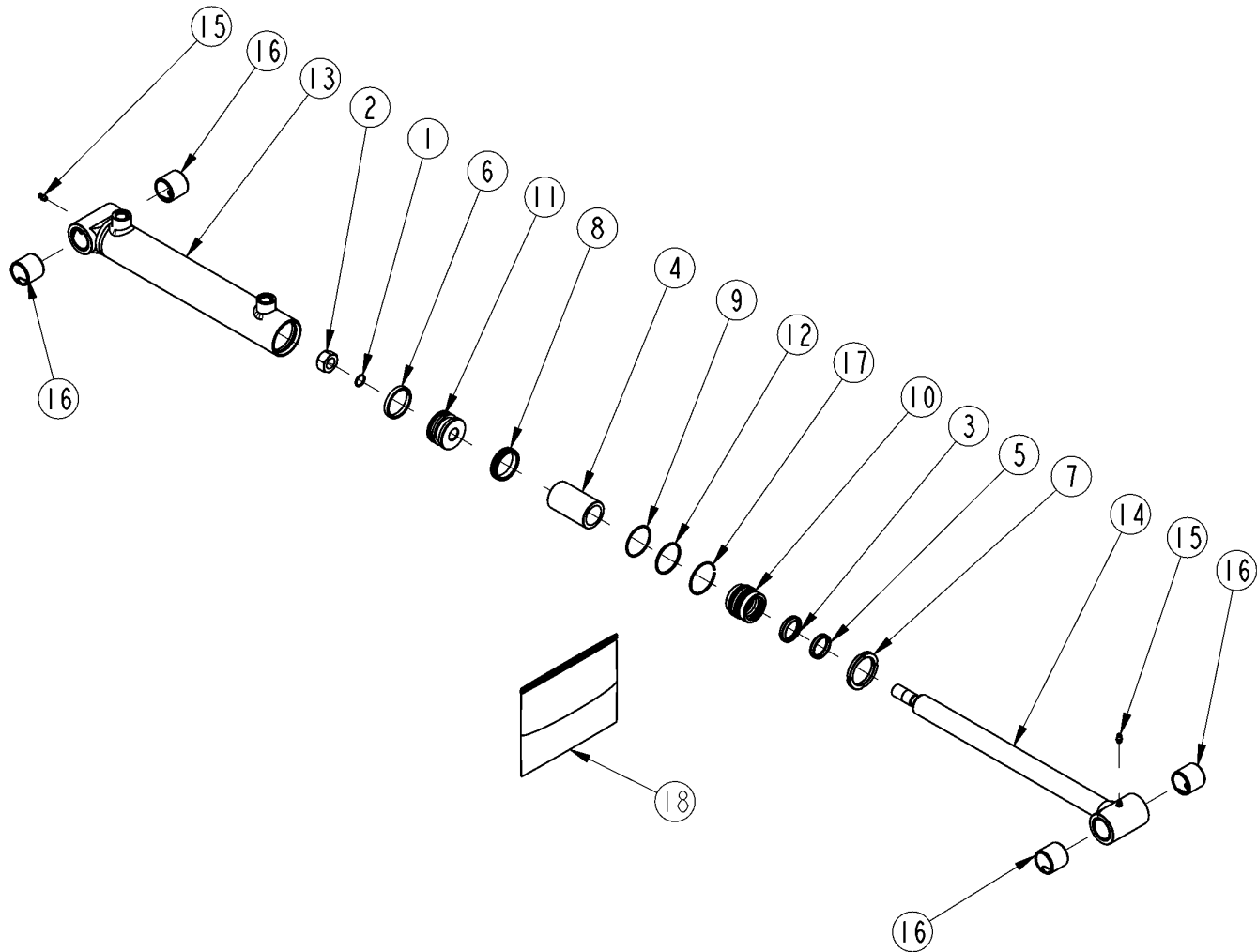
37846

Hydraulic Components**Applies to AP-SGR1566, AP-SGR1572, AP-SGR1578**

Ref	Part No.	Part Description	Comments	Revision
	Dwg 37846	Drawing Image Number		
1.	380-020H	PIN, CYL SHIELD PIVOT		
2.	380-045D	COVER, HYD HOSE		
3.	802-034C	HHCS 1/2-13X1 1/4 GR5		
4.	802-092C	RHSNB 5/16-18X3/4 GR5		
5.	802-282C	RHSNB 5/16-18X1 GR5		
6.	803-169C	NUT HEX FLG LOCK 1/2-13 PLT		
7.	803-177C	NUT HEX FLG TP LK 5/16-18ZNYCR		
8.	810-815C	CYL 2X8X1 1/4 ROD WELDED		
9.	811-063C	EL 3/4MJIC 3/4MORB		
10.	811-078C	TE 3/4MJIC		
11.	841-910C	ORAD 3/32 3/4MJIC 3/4FJIC		
12.	851-691C	HH1/2R2 021 3/4FJIC TUFF COAT		
13.	851-692C	HH1/2R2 033 3/4FJIC TUFF COAT		

Hydraulic Cylinder (810-815C)

Applies to AP-SGR1566, AP-SGR1572, AP-SGR1578



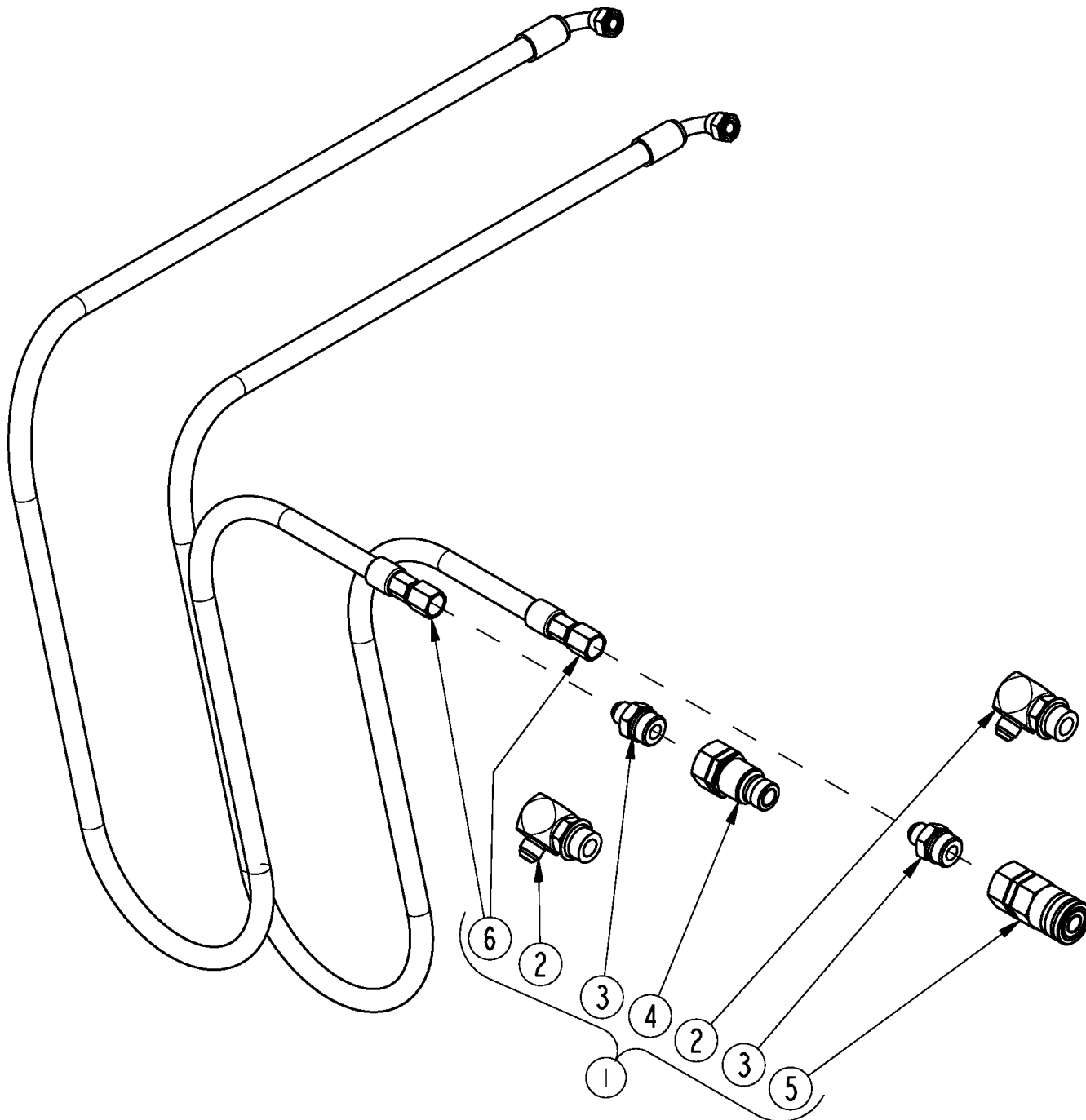
35173

Hydraulic Cylinder (810-815C)**Applies to AP-SGR1566, AP-SGR1572, AP-SGR1578**

Ref	Part No.	Part Description	Comments	Revision
	Dwg 35173 810-815C	Drawing Image Number CYL 2X8X1 1/4 ROD WELDED *		
1.	N/A	EGY ORING N .625X.75 016 D70	In Seal Kit Item #18	
2.	00082477	EGY NUT LOCK REG 3/4-16 GR C		
3.	N/A	EGY WIPER RING 1.25 HVY SECTIO	In Seal Kit Item #18	
4.	0A009944-03	EGY STOP TUBE 1.266IDX1.75ODX3		
5.	N/A	EGY SEAL POLY 1.25X1.50D0.25	In Seal Kit Item #18	
6.	N/A	EGY WEAR RING 2.0ODX.25X.125	In Seal Kit Item #18	
7.	14676A	EGY SPANNER NUT 0.25X2.375 OD		
8.	N/A	EGY PSP PISTON SEAL 2.0 BORE	In Seal Kit Item #18	
9.	N/A	EGY BACKUP RING H 1.812X2.0	In Seal Kit Item #18	
10.	16948B	EGY GUIDE 2.0 BORE-1.25 ROD		
11.	16951B	EGY PISTON - 2.00 BORE		
12.	N/A	EGY ORING NT 1.812X2.0 133 D70	In Seal Kit Item #18	
13.	44058C	EGY CYL BODY 2.00ID W/C 43983C		
14.	44059C	EGY ROD 1.25 W/C 43984B(17.75)		
15.	800-080C	GREASE ZERK 1/4-28 THD FORMING		
16.	891-177C	BHG 1.50ODX1.25X1.38		
17.	N/A	EGY RET RING RD INT 2.0	In Seal Kit Item #18	
18.	44430X	EGY SEAL KIT (810-815C)		

Hydraulic Hose Option Kubota SVL

Applies to AP-SGR1566, AP-SGR1572, AP-SGR1578



35269

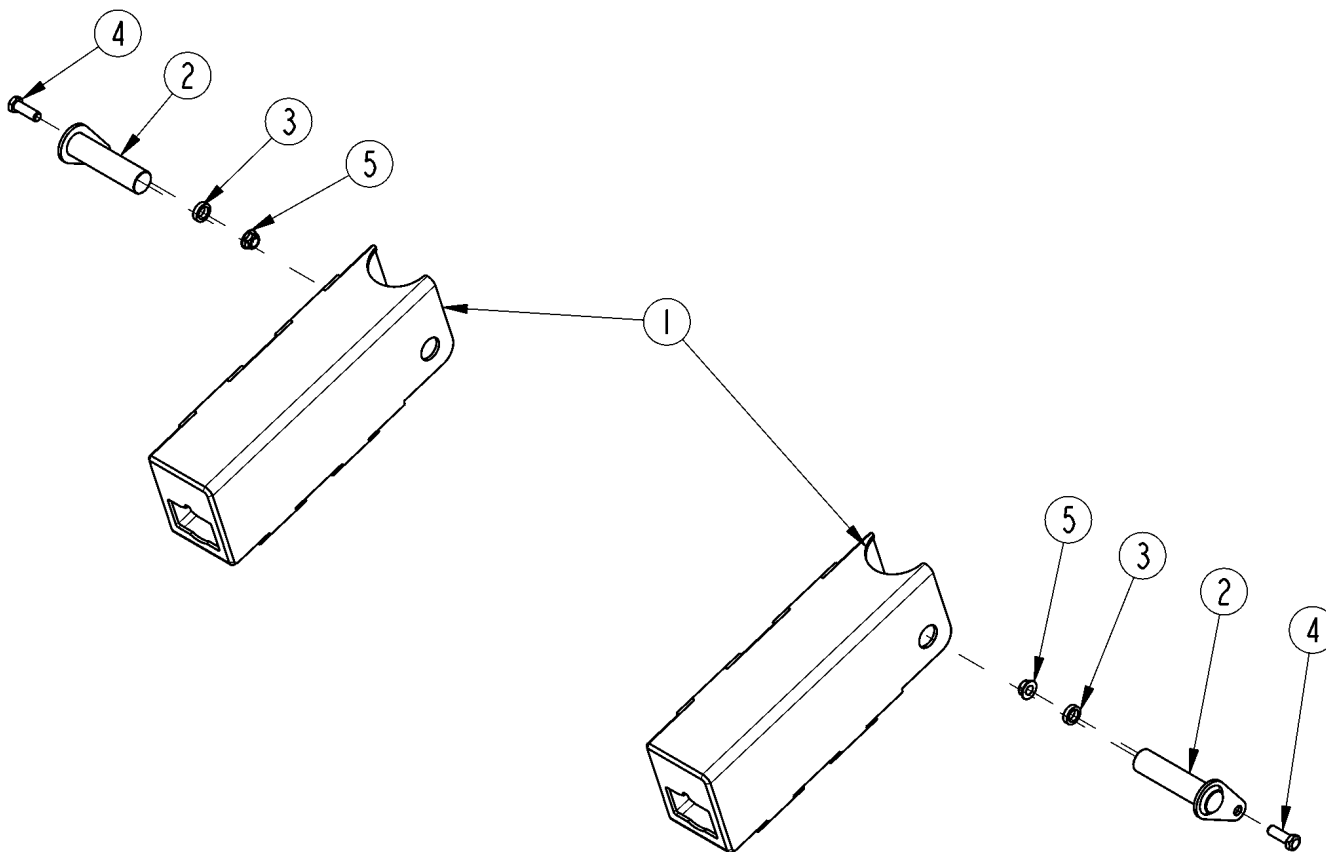
Hydraulic Hose Option Kubota SVL

Applies to AP-SGR1566, AP-SGR1572, AP-SGR1578

Ref	Part No.	Part Description	Comments	Revision
	Dwg 35269	Drawing Image Number		
1.	380-061A	HOSE BUNDLE, KUBOTA SVL		
2.	811-091C	EL 3/4MJIC 1 1/16MORB	As Required	
3.	811-205C	AD 3/4MJIC 1 1/16MORB	As Required	
4.	811-744C	CP 1 1/16FORB MALE QUICK		
5.	811-745C	CP 1 1/16FORB FEMALE QUICK		
6.	841-828C	HH1/2R2 95 3/4FJIC (1)90 TUFF		

Shield Hydraulic Cylinder

Applies to AP-SGR1566, AP-SGR1572, AP-SGR1578



35160

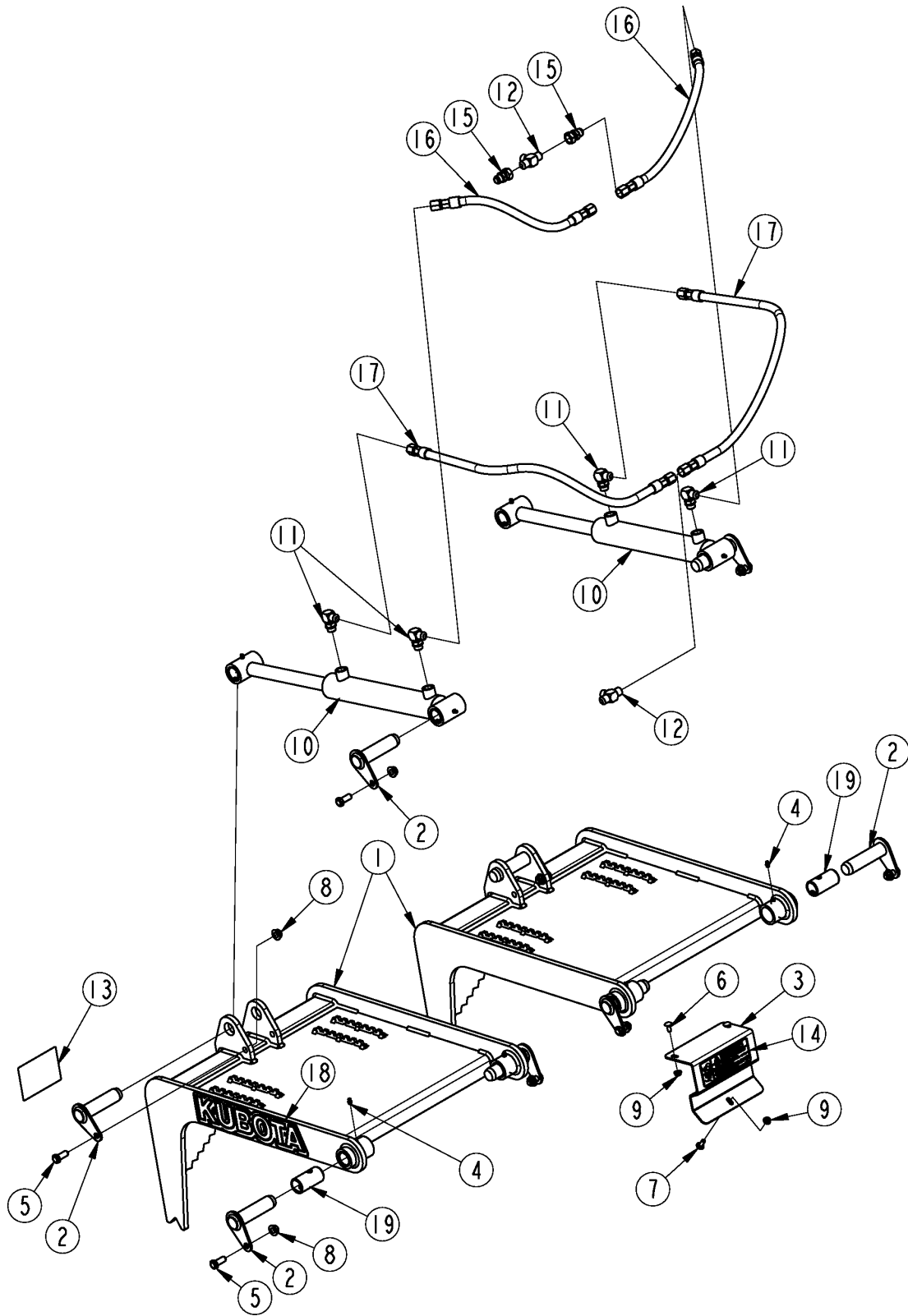
Shield Hydraulic Cylinder

Applies to AP-SGR1566, AP-SGR1572, AP-SGR1578

Ref	Part No.	Part Description	Comments	Revision
	Dwg 35160 380-023A	Drawing Image Number SHIELD, HYD CYLINDER *		
1.	380-019H	WLDMT, HYD CYL SHIELD		
2.	380-020H	PIN, CYL SHIELD PIVOT		
3.	405-031D	1/4 PW SPACER 5/8 DIA		
4.	802-091C	HHCS 1/2-13X1 1/2 GR5		
5.	803-169C	NUT HEX FLG LOCK 1/2-13 PLT		

Upper Grapple Option

Applies to AP-SGR1566, AP-SGR1572, AP-SGR1578



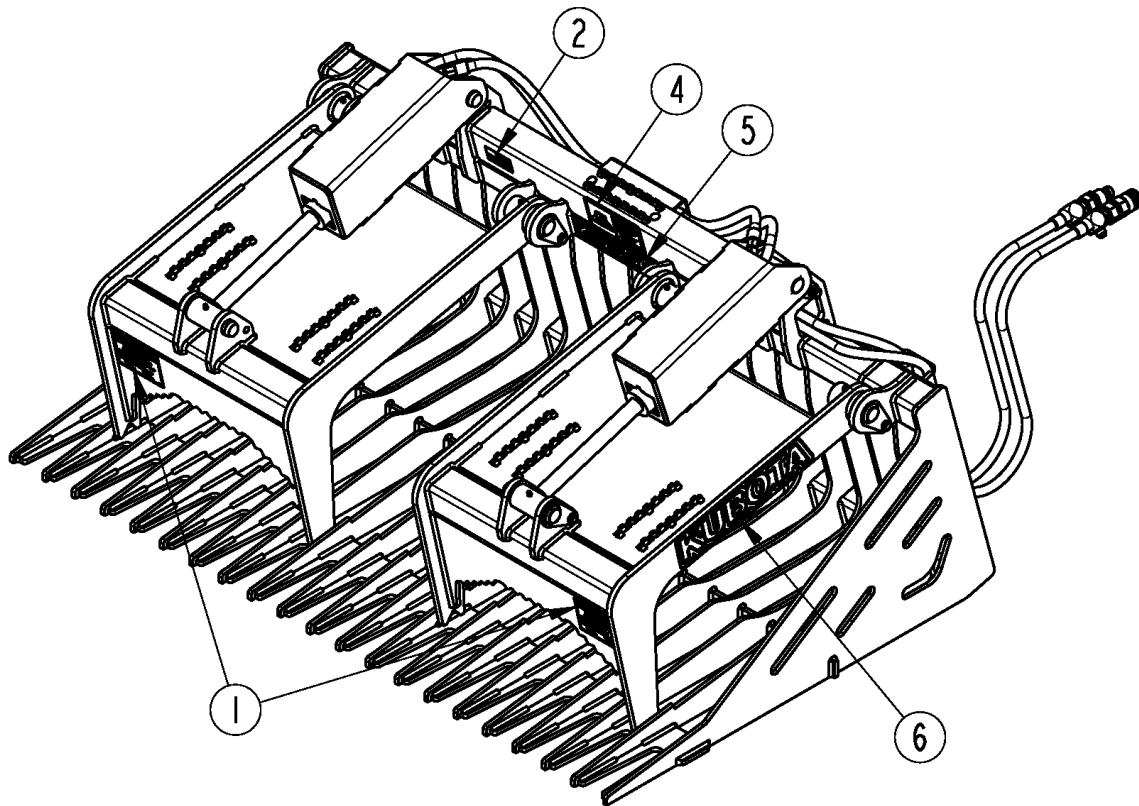
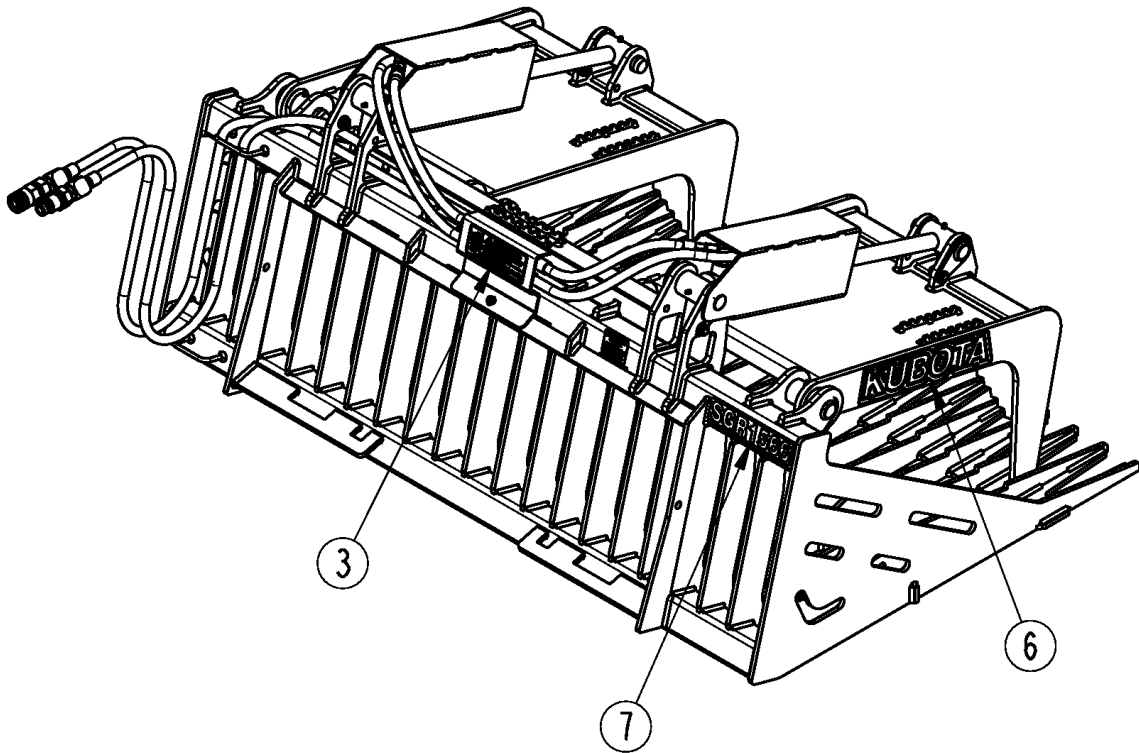
37835

Upper Grapple Option**Applies to AP-SGR1566, AP-SGR1572, AP-SGR1578**

Ref	Part No.	Part Description	Comments	Revision
	Dwg 37835 380-030A	Drawing Image Number UPPER GRAPPLE *		
1.	380-015H	WLDMT, GRAPPLE CLAW		
2.	380-020H	PIN, CYL SHIELD PIVOT		
3.	380-045D	COVER, HYD HOSE		
4.	800-080C	GREASE ZERK 1/4-28 THD FORMING		
5.	802-034C	HHCS 1/2-13X1 1/4 GR5		
6.	802-092C	RHSNB 5/16-18X3/4 GR5		
7.	802-282C	RHSNB 5/16-18X1 GR5		
8.	803-169C	NUT HEX FLG LOCK 1/2-13 PLT		
9.	803-177C	NUT HEX FLG TP LK 5/16-18ZNYCR		
10.	810-815C	CYL 2X8X1 1/4 ROD WELDED		
11.	811-063C	EL 3/4MJIC 3/4MORB		
12.	811-078C	TE 3/4MJIC		
13.	818-045C	DECAL WARNING PINCH PT/CRUSH		
14.	838-094C	DECAL WARNING HYD PRESS LONG		
15.	841-910C	ORAD 3/32 3/4MJIC 3/4FJIC		
16.	851-691C	HH1/2R2 021 3/4FJIC TUFF COAT		
17.	851-692C	HH1/2R2 033 3/4FJIC TUFF COAT		
18.	858-399C	DECAL KUBOTA 15"		
19.	890-389C	BUSHING 1.50ODX1.25IDX2.94		

Label Placement

Applies to AP-SGR1566, AP-SGR1572, AP-SGR1578



37845

Label Placement

Applies to AP-SGR1566, AP-SGR1572, AP-SGR1578

Ref	Part No.	Part Description	Comments	Revision
	Dwg 37845	Drawing Image Number		
1.	818-045C	DECAL WARNING PINCH PT/CRUSH		
2.	818-190C	DECAL FLAG		
3.	838-094C	DECAL WARNING HYD PRESS LONG		
4.	838-293C	DECAL WARNING READ MANUAL		
5.	858-398C	DECAL KUBOTA 10"		
6.	858-399C	DECAL KUBOTA 15"		
7.	858-496C	DECAL SGR1566 WHITE		
7.	858-497C	DECAL SGR1572 WHITE		
7.	858-498C	DECAL SGR1578 WHITE		



Part Number Index

The Part Number Index is a numeric index of all part numbers included in this manual. The index shows what page(s) the part is used on.

Part Number	Page
00082477	11
0A009944-03	11
14676A	11
16948B	11
16951B	11
380-015H	7, 17
380-019H	15
380-020H	7, 9, 15, 17
380-023A	15
380-024H	7
380-026H	7
380-030A	17
380-045D	9, 17
380-059H	7
380-061A	13
405-031D	15
44058C	11
44059C	11
44430X	11
800-080C	7, 11, 17
802-034C	7, 9, 17
802-091C	15
802-092C	9, 17
802-282C	9, 17
803-169C	7, 9, 15, 17
803-177C	9, 17
810-815C	9, 11, 17
811-063C	9, 17
811-078C	9, 17
811-091C	13
811-205C	13
811-744C	13
811-745C	13
818-045C	17, 19
818-190C	19
838-094C	17, 19
838-293C	19
841-828C	13
841-910C	9, 17
851-691C	9, 17
851-692C	9, 17
858-398C	19
858-399C	17, 19
858-496C	19
858-497C	19
858-498C	19
890-389C	7, 17
891-177C	11
Dwg 35160	15
Dwg 35173	11
Dwg 35269	13
Dwg 37835	17
Dwg 37844	7
Dwg 37845	19
Dwg 37846	9
N/A	11

This Page Intentionally Left Blank



KUBOTA TRACTOR CORPORATION

3401 Del Amo Blvd., Torrance, CA 90503, U.S.A.
Telephone: (310)370-3370

Western Division: 1175 S. Guild Ave., Lodi, CA 95240
Telephone: (209)334-9910

Central Division: 4855 FAA Blvd., Fort Worth, TX 76155
Telephone: (817)571-0900

Northern Division: 6300 at One Kubota Way, Groveport, OH 43125
Telephone: (614)835-1100

Southeast Division: 1025 Northbrook Parkway, Suwanee, GA 30024
Telephone: (770)995-8855

www.kubota.com
