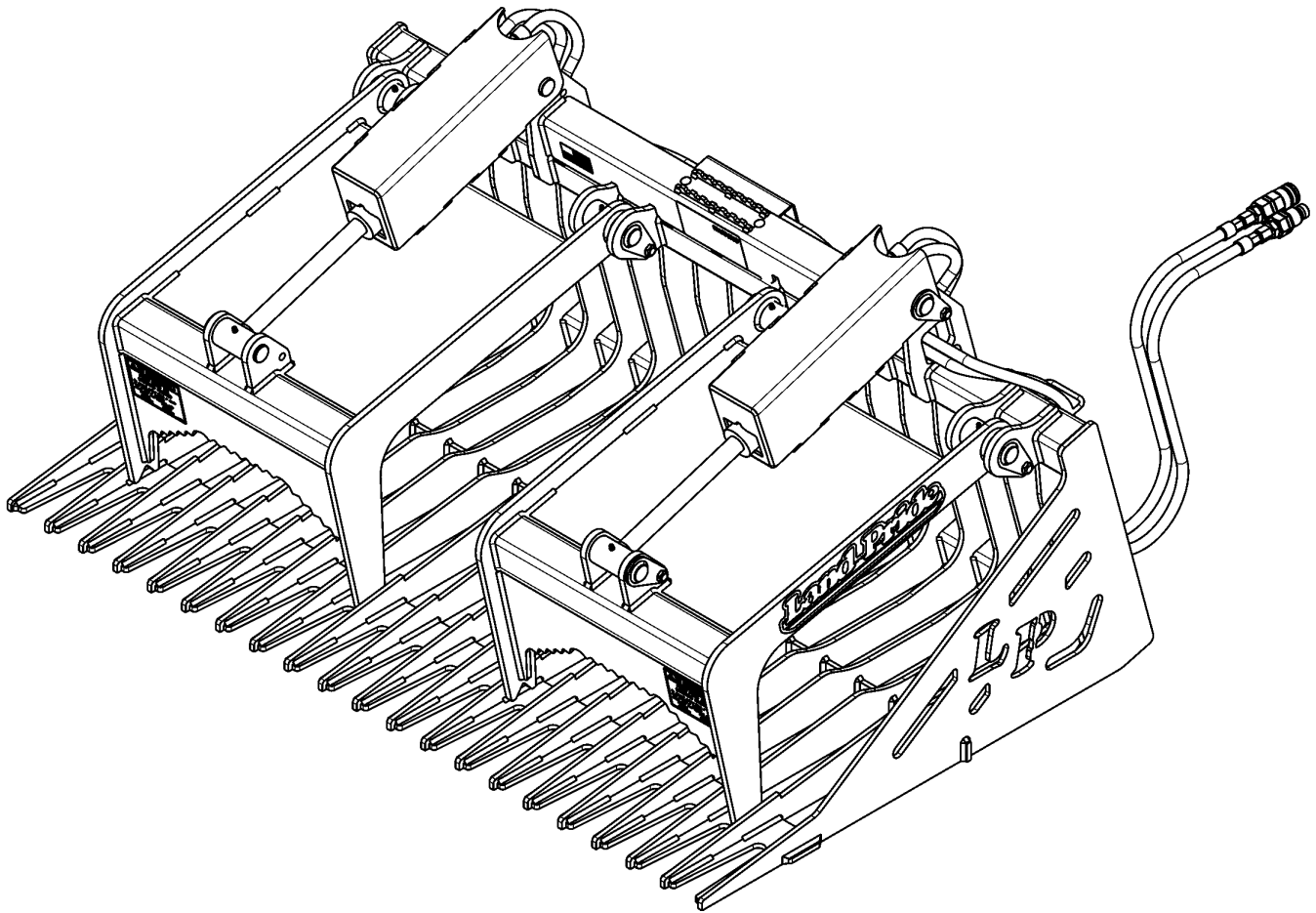


Grapples

SGR1566, SGR1572 & SGR1578



35155

380-054P Parts Manual



Read the Operator's Manual entirely. When you see this symbol, the subsequent instructions and warnings are serious - follow without exception. Your life and the lives of others depend on it!

© Copyright 2016 Printed 05/16/16

Cover photo may show optional equipment not supplied with standard unit.





Table of Contents

Section 1: Introduction.....	4
Using This Manual.....	4
Manual Replacement Information.....	4
Manual Revisions.....	4
Touch-up Paint.....	4
Hardware Legend.....	5
Replacement Hardware.....	5
Serial Numbers.....	5
Part Number Service Coding.....	5
Section 2: Main Assembly.....	6
Grapple Hook & Bucket.....	6
Hydraulic Components.....	8
Hydraulic Cylinder (810-815C).....	10
Section 3: Options & Accessories.....	12
Hydraulic Hose Option Kubota SVL.....	12
Shield Hydraulic Cylinder.....	14
Third Function Hose Kit 380-150A.....	16
Third Function Valve Kit 380-166A for Kubota MX4700.....	18
MX4800.....	18
MX5100.....	18
MX5200.....	18
MX5800.....	18
& MX6899.....	18
Upper Grapple Option.....	20
Section 4: Labels.....	22
Label Placement.....	22
 Part Number Index.....	 24

© Copyright 2016. All rights reserved.

Land Pride provides this publication “as is” without warranty of any kind, either expressed or implied. While every precaution has been taken in the preparation of this manual, Land Pride assumes no responsibility for errors or omissions. Neither is any liability assumed for damages resulting from the use of the information contained herein. Land Pride reserves the right to revise and improve its products as it sees fit. This publication describes the state of this product at the time of its publication, and may not reflect the product in the future. The illustrations in this manual are not intended for safe and proper assembly or disassembly of equipment. The illustrations are intended for ordering parts only.

Land Pride is registered trademark.

All other brands and product names are trademarks or registered trademarks of their respective holders.

Printed in the United States of America.



Alphabetized Table of Contents

G	
Grapple Hook & Bucket.....	6
H	
Hydraulic Components.....	8
Hydraulic Cylinder (810-815C).....	10
Hydraulic Hose Option Kubota SVL.....	12
L	
Label Placement.....	22
S	
Shield Hydraulic Cylinder.....	14
T	
Third Function Hose Kit 380-150A.....	16
Third Function Valve Kit 380-166A for Kubota MX4700, MX4800, MX5100, MX5200, MX5800, & MX6899.....	18
U	
Upper Grapple Option.....	20

General Information

Using This Manual

This manual is divided into sections. The first section contains General Information. The remaining sections divide the machine into segments (i.e. Frames, Drives, Hydraulics, etc.) which illustrate and list all parts. A Parts Number Index is located at the back of the book.

The Land Pride parts in this manual are specially designed for this machine and should be replaced with Land Pride parts only.

The information in this manual is current at time of printing. Some parts may change to assure top performance.

Right-hand and left-hand as used in this manual are determined by facing the direction the machine will travel while in use.

Below is an example of two facing pages from a parts manual. Familiarize yourself with the type of information contained on these pages.

Manual Replacement Information

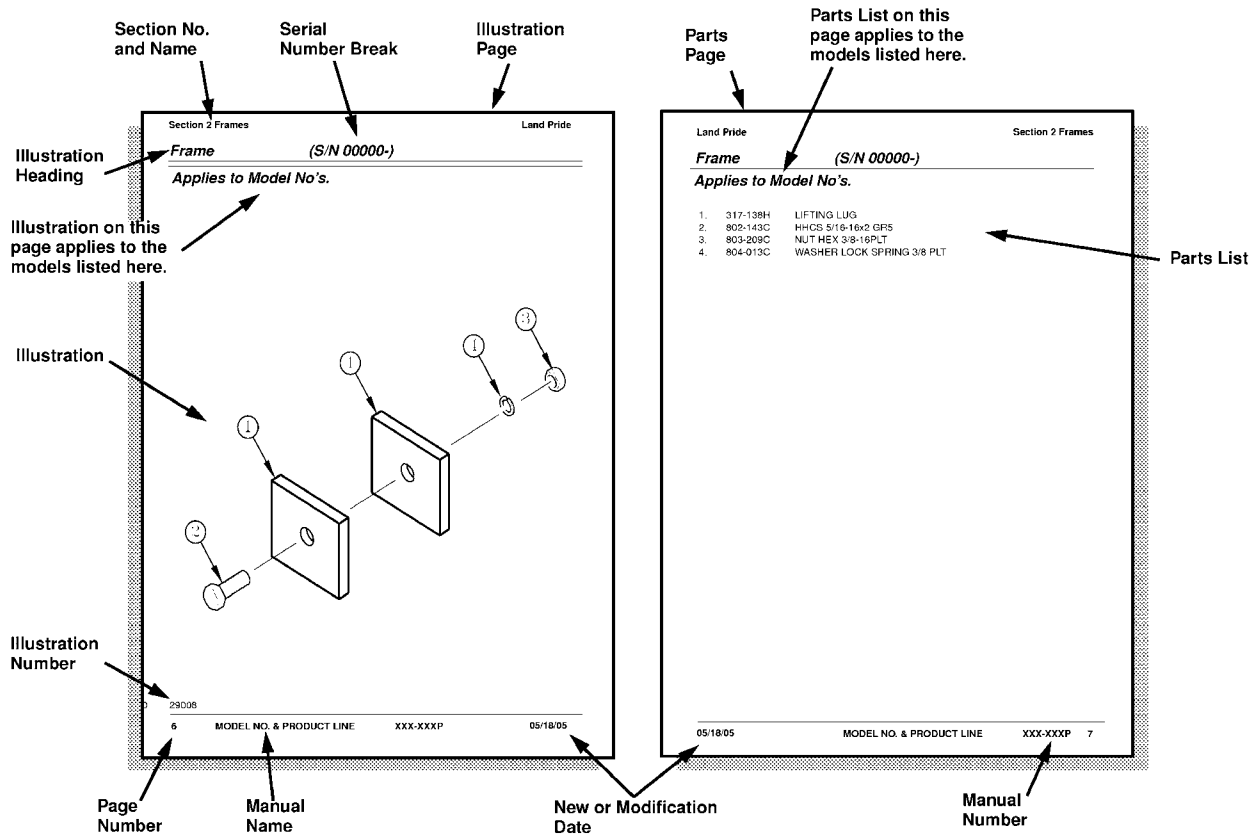
Replacement manuals are available. Refer to our website at www.landpride.com or e-mail us at lit@landpride.com for additional information. Our website continues to provide the most up-to-date manuals available.

Touch-up Paint

Repaint parts where paint is worn or scratched to prevent rust. Aerosol cans and touch-up bottles with brush applicator are available through your local dealer. Land Pride color descriptions and part numbers are listed below. Also available are quart and gallon size paints. Add QT or GL to end of the Aerosol P/N.

Color	Product*	Aerosol	Touch-Up
Gloss Black	LP	821-032C	821-032CTU
Beige	LP	821-011C	821-011CTU
Green	SLP	821-058C	821-058CTU
Orange	SLP	821-066C	821-066CTU
Red	SLP	821-054C	821-054CTU
Blue	SLP	821-067C	821-067CTU

Notes:
 * LP = All Land Pride Products
 SLP = Select Land Pride Products that are available in optional Green, Orange and Red.



General Information

Hardware Legend

AR	As Required
BLADE	Blade Bolt
C	Cap Screw
CP	Cotter Pin
CPHSSS	Cup Point Hex Socket Set Screw
CPSHSS	Cup Point Square Head Set Screw
CPSQHSS	Cup Point Square Head Set Screw
CRFCHMS3	Cross Recess Flat Countersunk Head Machine Screw
CRPHMS	Cross Recess Pan Head Machine Screw
CRPHTF	Cross Recess Pan Head Thread Forming
CRRHMS	Cross Recess Round Head Machine Screw
CRTHMS	Cross Recess Truss Head Machine Screw
CSNB	Countersunk Square Neck Bolt
FHMS	Flat Head Machine Screw
FTC	Full Thread Cap Screw
H	Hex Nut
HCLN	Hex Center Lock Nut
HFLCS	Hex Flange Lock Cap Screw
HFS	Hex Flange Screw
HFSLN	Hex Flange Serrated Lock Nut
HFSS	Hex Flange Serrated Screw
HHCS	Hex Head Cap Screw or Metric Bolt
HSBHCS	Hex Socket Button Head Cap Screw
HSFCHCS	Hex Socket Flat Countersunk Head Cap Screw
HSHCS	Hex Socket Head Cap Screw
HSSS	Hex Socket Head Screw
HTLN	Hex Top Lock Nut
HWHCS	Hex Washer Head Cap Screw

HWHMS	Hex Washer Head Machine Screw
HXBHCS	Hex Socket Button Head Cap Screw
J	Hex Jam Nut
JIC	37 Degree Tapered Thread
L	Helical Spring Lock Washer
LUG	Lug Bolt
NFC	National Fine Cap Screw
NPSM	National Pipe Straight Mechanical
NPTF	National Pipe Taper Fuel
P	Wide Plain Washer
PHMS	Pan Head Machine Screw
PLOW	Plow Bolt
RHMS	Round Head Machine Screw
RHSNB	Round Head Square Neck Bolt
SCREW LEVELING	Leveling Screw
SCREW THUMB	Thumb Screw
SCREW WELD	Weld Screw
SFCHMS	Slotted Flat Countersunk Head Machine Screw
SFHMS	Slotted Fillister Head Machine Screw
SP	Special
SP SCREW	Special Screw
SQHSS	Square Head Set Screw
SRHMS	Slotted Round Head Machine Screw
SSS	Socket Set Screw
STCS	Self Tapping Cap Screw
STHMS	Slotted Truss Head Machine Screw
WHEEL	Wheel Studs and Hub Long Bolts
WING	Wing Bolt

Replacement Hardware

The **Hardware Legend** above lists hardware abbreviations used in the parts list. All bolts and nuts are Grade 5 unless otherwise noted. The use of improper grades of hardware can result in personal injury, damage to equipment, or loss of property.

Colored Replacement Parts

Land Pride offers replacement parts in factory standard colors and also on select models in Green, Orange, Red and Blue. Because of the variety of colors available, special attention must be given to the part number to prevent ordering the wrong replacement part.

A suffix number corresponding to one of the colors below must be added at the end of Land Pride's part number when ordering a replacement part with that color.

81 Green 83 Red
82 Orange 84 Blue

For example, if you are ordering a replacement part with part number 555-555C and the part you need is red, then add the suffix 83 to the end of the number to make the part number read 555-555C83. Parts ordered without a suffix number will be supplied in factory standard colors.

Black Replacement Parts

Some parts are factory standard black and some must be special ordered black. If your part is special ordered black, a second part number with the additional suffix number 85 on the end will be available. In this situation you must order that part with the suffix number for it to be black. Parts that are factory standard black will not have the suffix number.

Part Number Service Coding

Within the parts list some part numbers are coded for revisions and interchangeability. See notations in revision column.

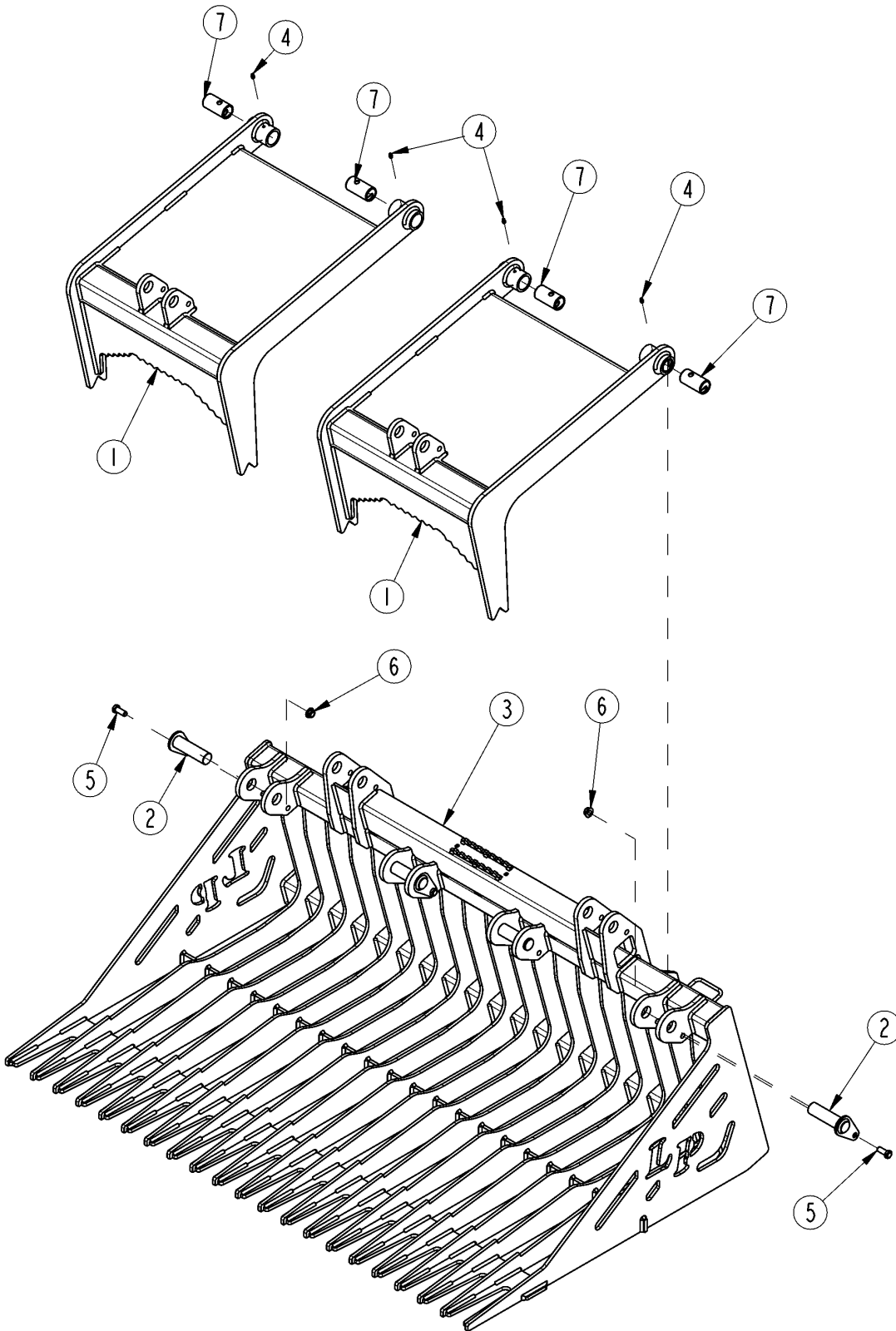
Serial Numbers

Always use the serial and model number when ordering parts. Refer to the Operator's Manual for serial number plate location.

- (S/N 20001+) Includes serial numbers 20001 and above (to the latest number)
- (S/N 10001 to 20000) Includes serial numbers between and including 10001 and 20000
- (S/N 10000-) Includes serial numbers 10000 and below (to the earliest number)

Grapple Hook & Bucket

Applies to SGR1566, SGR1572, SGR1578



35158

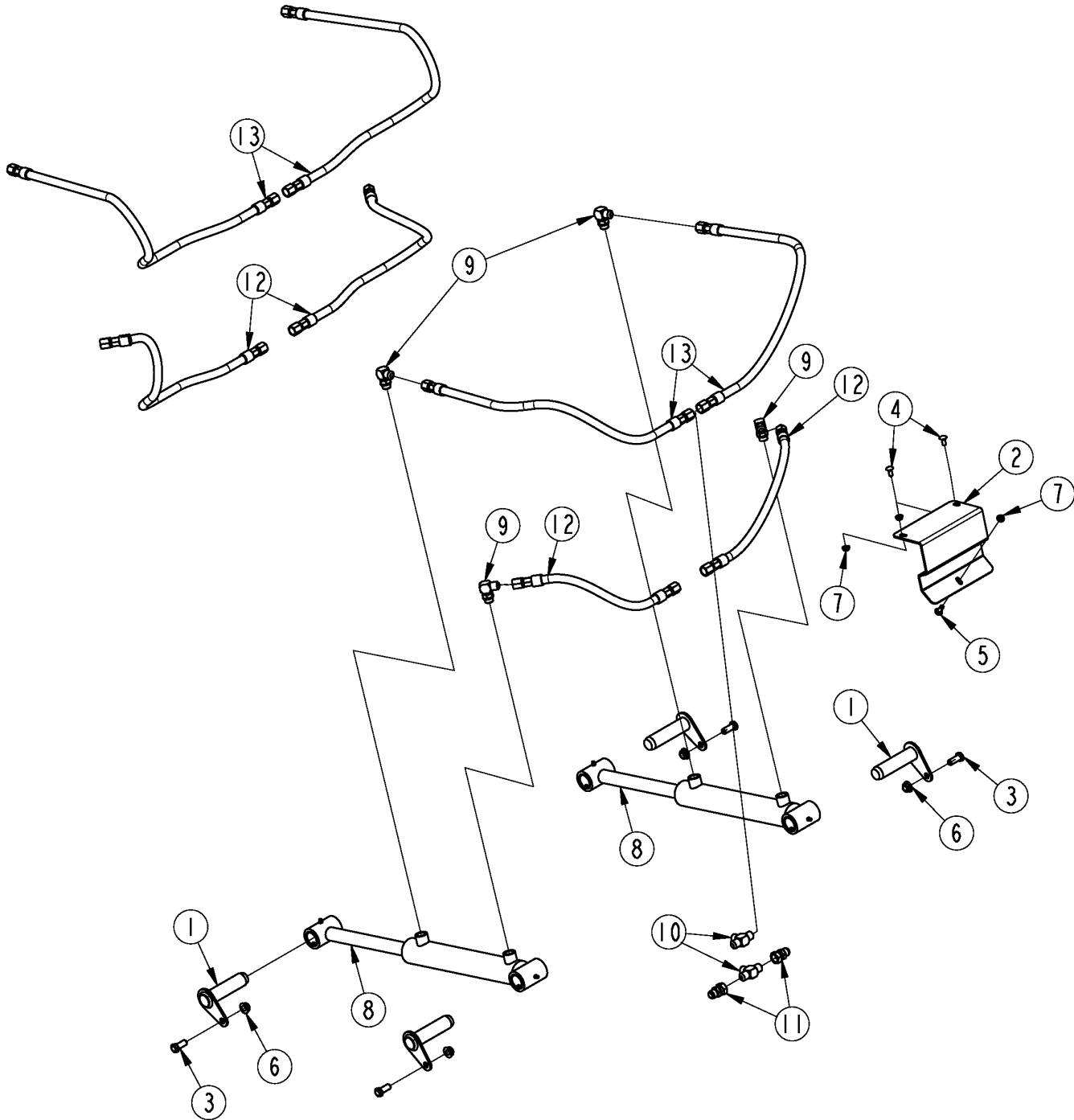
Grapple Hook & Bucket

Applies to SGR1566, SGR1572, SGR1578

Ref	Part No.	Part Description	Comments	Revision
	dwg35158	Drawing Image Number		
1.	380-015H	WLDMT, GRAPPLE CLAW		
2.	380-020H	PIN, CYL SHIELD PIVOT	S/N 869712+	
2.	380-018H	WLDMT, PIVOT PIN	S/N 869711-	
3.	380-024H	WLDMT, ROCK GRAPPLE BUCKET 66		
3.	380-059H	WLDMT, ROCK GRAPPLE BUCKET 72		
3.	380-026H	WLDMT, ROCK GRAPPLE BUCKET 78		
4.	800-080C	GREASE ZERK 1/4-28 THD FORMING		
5.	802-034C	HHCS 1/2-13X1 1/4 GR5		
6.	803-169C	NUT HEX FLG LOCK 1/2-13 PLT		
7.	890-389C	BUSHING 1.50ODX1.25IDX2.94		

Hydraulic Components

Applies to SGR1566, SGR1572, SGR1578



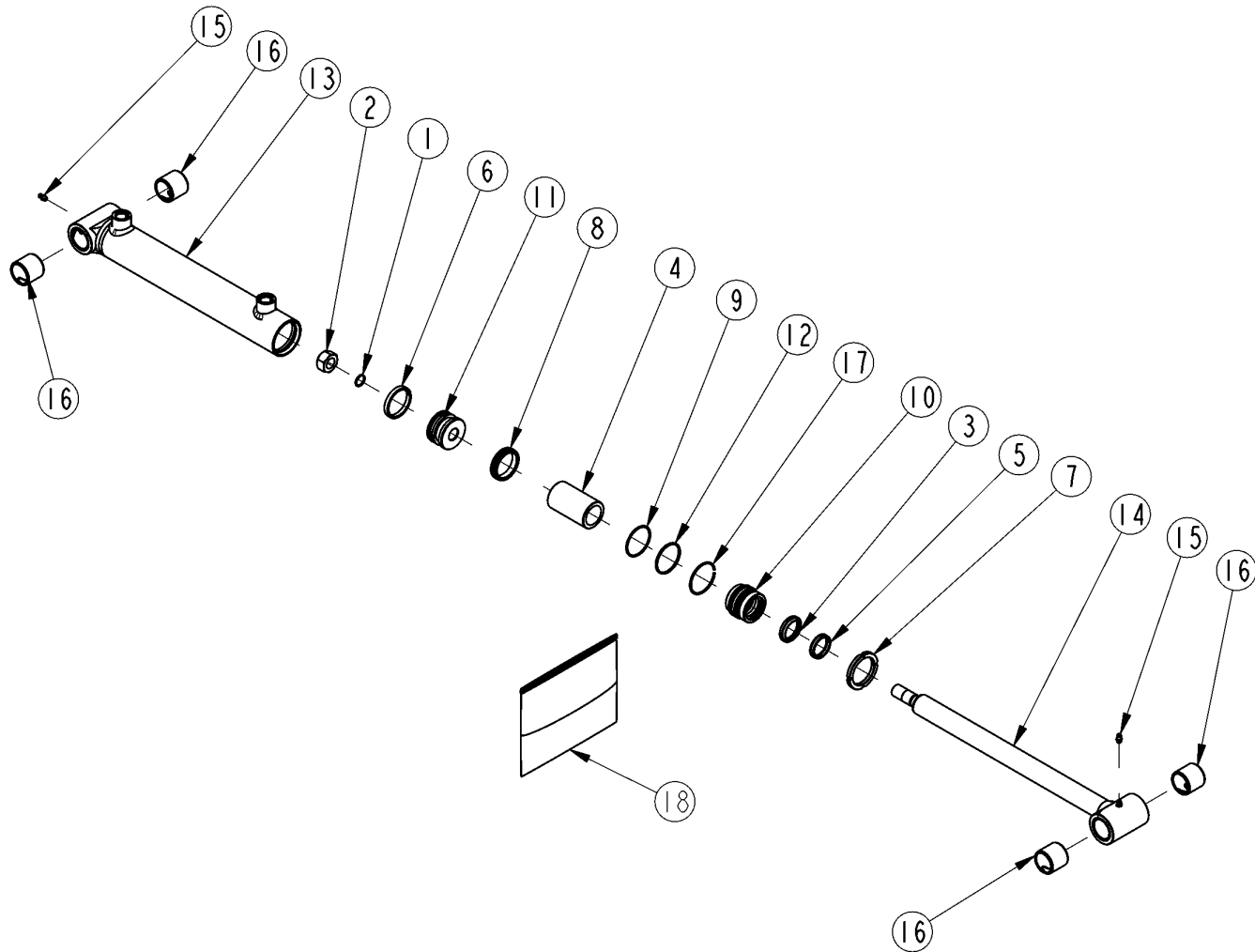
39836

Hydraulic Components**Applies to SGR1566, SGR1572, SGR1578**

Ref	Part No.	Part Description	Comments	Revision
	dwg39386	Drawing Image Number		
1.	380-020H	PIN, CYL SHIELD PIVOT	S/N 869712+	
1.	380-018H	WLDMT, PIVOT PIN	S/N 869711-	
2.	380-045D	COVER, HYD HOSE		
3.	802-034C	HHCS 1/2-13X1 1/4 GR5		
4.	802-092C	RHSNB 5/16-18X3/4 GR5		
5.	802-282C	RHSNB 5/16-18X1 GR5		
6.	803-169C	NUT HEX FLG LOCK 1/2-13 PLT		
7.	803-177C	NUT HEX FLG TP LK 5/16-18ZNYCR		
8.	810-815C	CYL 2X8X1 1/4 ROD WELDED		
9.	811-063C	EL 3/4MJIC 3/4MORB		
10.	811-078C	TE 3/4MJIC		
11.	841-910C	ORAD 3/32 3/4MJIC 3/4FJIC		
12.	851-691C	HH1/2R2 021 3/4FJIC TUFF COAT	962983+	
12.	841-826C	HH1/2R2 26.5 3/4FJIC TUFF COAT	962982-	
13.	851-692C	HH1/2R2 033 3/4FJIC TUFF COAT	962983+	
13.	841-827C	HH1/2R2 038 3/4FJIC TUFF COAT	962982-	

Hydraulic Cylinder (810-815C)

Applies to SGR1566, SGR1572, SGR1578



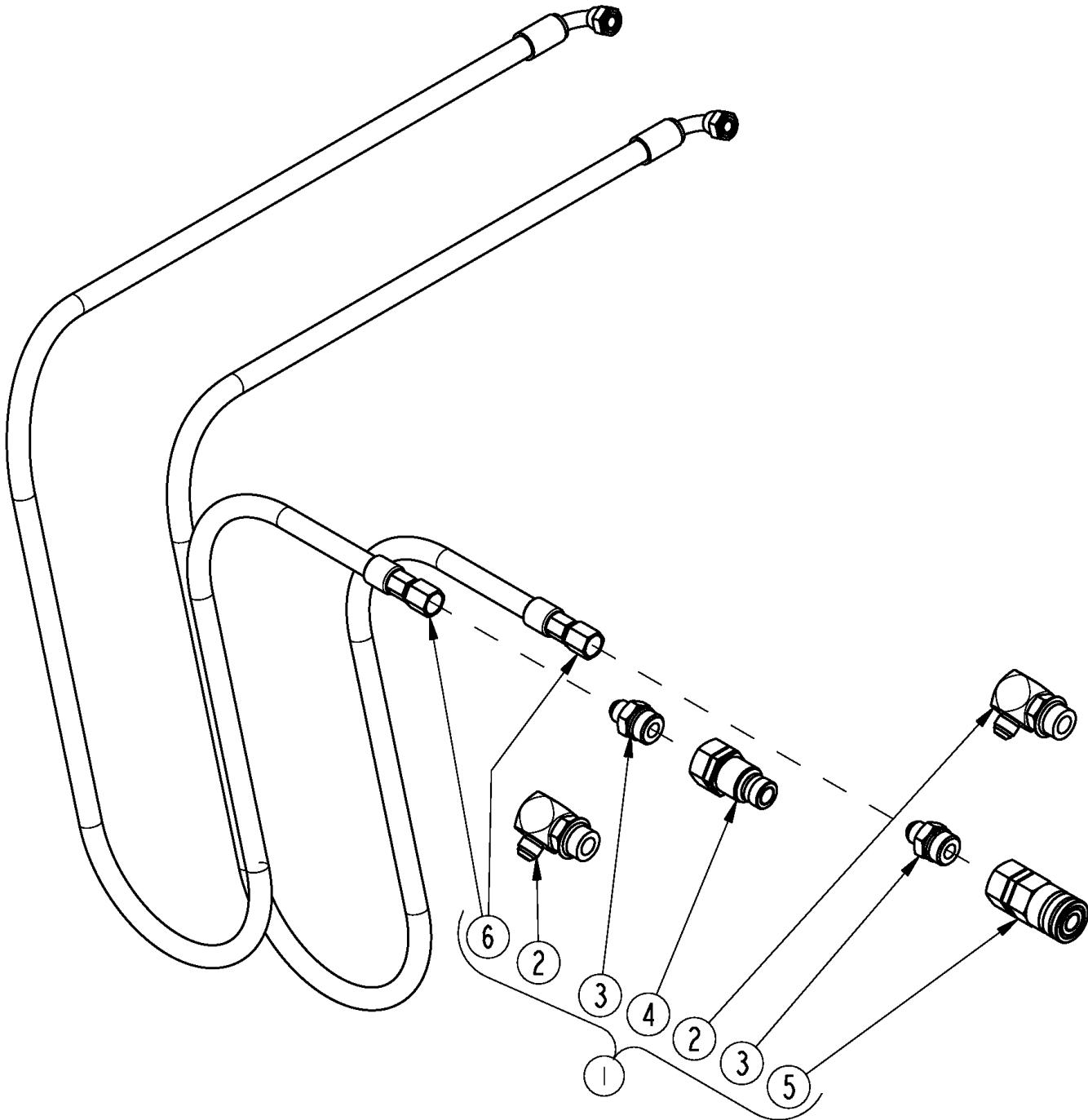
35173

Hydraulic Cylinder (810-815C)**Applies to SGR1566, SGR1572, SGR1578**

Ref	Part No.	Part Description	Comments	Revision
	dwg35173	Drawing Image Number		
	810-815C	CYL 2X8X1 1/4 ROD WELDED *		
1.	N/A	EGY ORING N .625X.75 016 D70	In Seal Kit Item #18	
2.	00082477	EGY NUT LOCK REG 3/4-16 GR C		
3.	N/A	EGY WIPER RING 1.25 HVY SECTIO	In Seal Kit Item #18	
4.	0A009944-03	EGY STOP TUBE 1.266IDX1.75ODX3		
5.	N/A	EGY SEAL POLY 1.25X1.50D0.25	In Seal Kit Item #18	
6.	N/A	EGY WEAR RING 2.0ODX.25X.125	In Seal Kit Item #18	
7.	14676A	EGY SPANNER NUT 0.25X2.375 OD		
8.	N/A	EGY PSP PISTON SEAL 2.0 BORE	In Seal Kit Item #18	
9.	N/A	EGY BACKUP RING H 1.812X2.0	In Seal Kit Item #18	
10.	16948B	EGY GUIDE 2.0 BORE-1.25 ROD		
11.	16951B	EGY PISTON - 2.00 BORE		
12.	N/A	EGY ORING NT 1.812X2.0 133 D70	In Seal Kit Item #18	
13.	44058C	EGY CYL BODY 2.00ID W/C 43983C		
14.	44059C	EGY ROD 1.25 W/C 43984B(17.75)		
15.	800-080C	GREASE ZERK 1/4-28 THD FORMING		
16.	891-177C	BHG 1.50ODX1.25X1.38		
17.	N/A	EGY RET RING RD INT 2.0	In Seal Kit Item #18	
18.	44430X	EGY SEAL KIT (810-815C)		

Hydraulic Hose Option Kubota SVL

Applies to SGR1566, SGR1572, SGR1578



35269

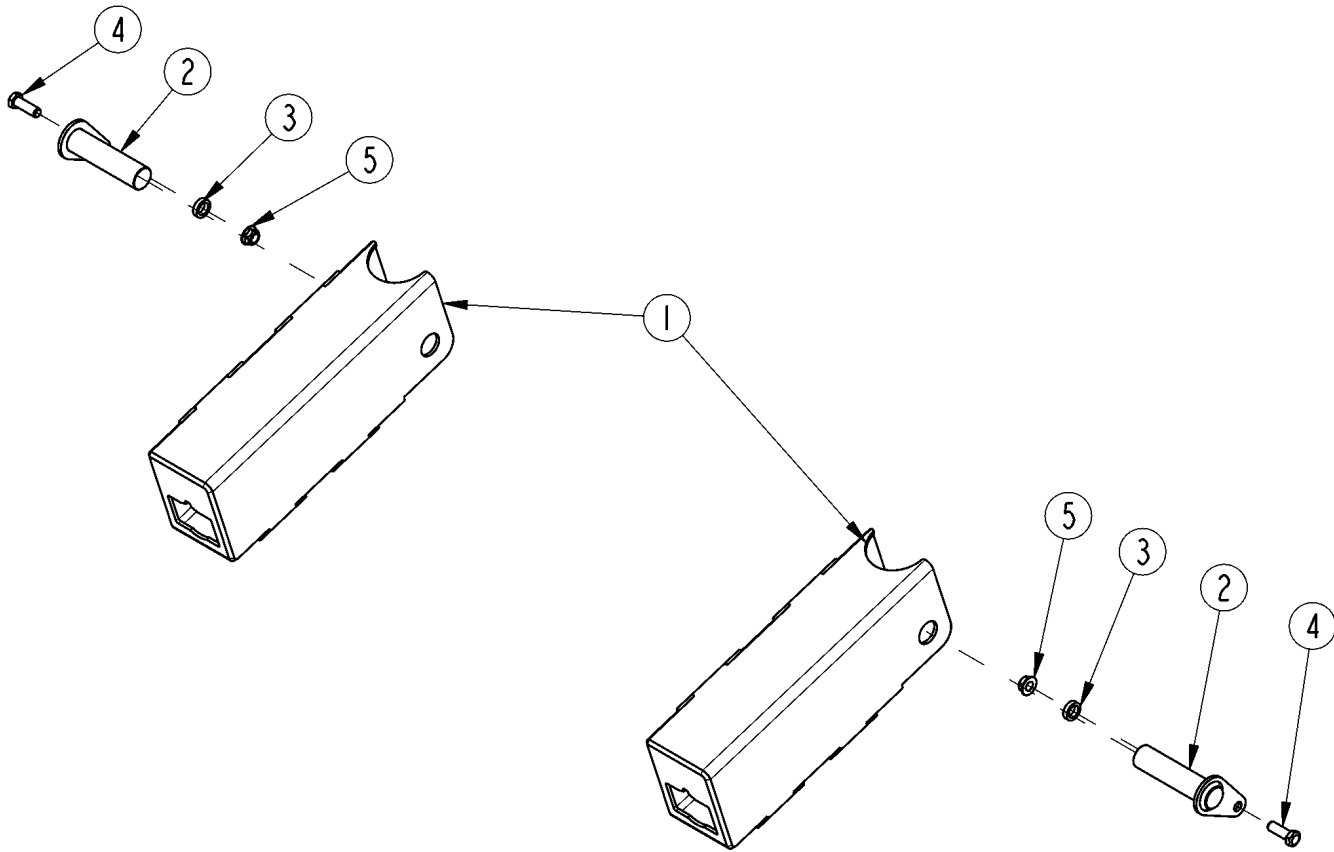
Hydraulic Hose Option Kubota SVL

Applies to SGR1566, SGR1572, SGR1578

Ref	Part No.	Part Description	Comments	Revision
	dwg35269	Drawing Image Number		
1.	380-061A	HOSE BUNDLE, KUBOTA SVL		
2.	811-091C	EL 3/4MJIC 1 1/16MORB	As Required	
3.	811-205C	AD 3/4MJIC 1 1/16MORB	As Required	
4.	811-744C	CP 1 1/16FORB MALE QUICK		
5.	811-745C	CP 1 1/16FORB FEMALE QUICK		
6.	841-828C	HH1/2R2 95 3/4FJIC (1)90 TUFF		

Shield Hydraulic Cylinder

Applies to SGR1566, SGR1572, SGR1578



35160

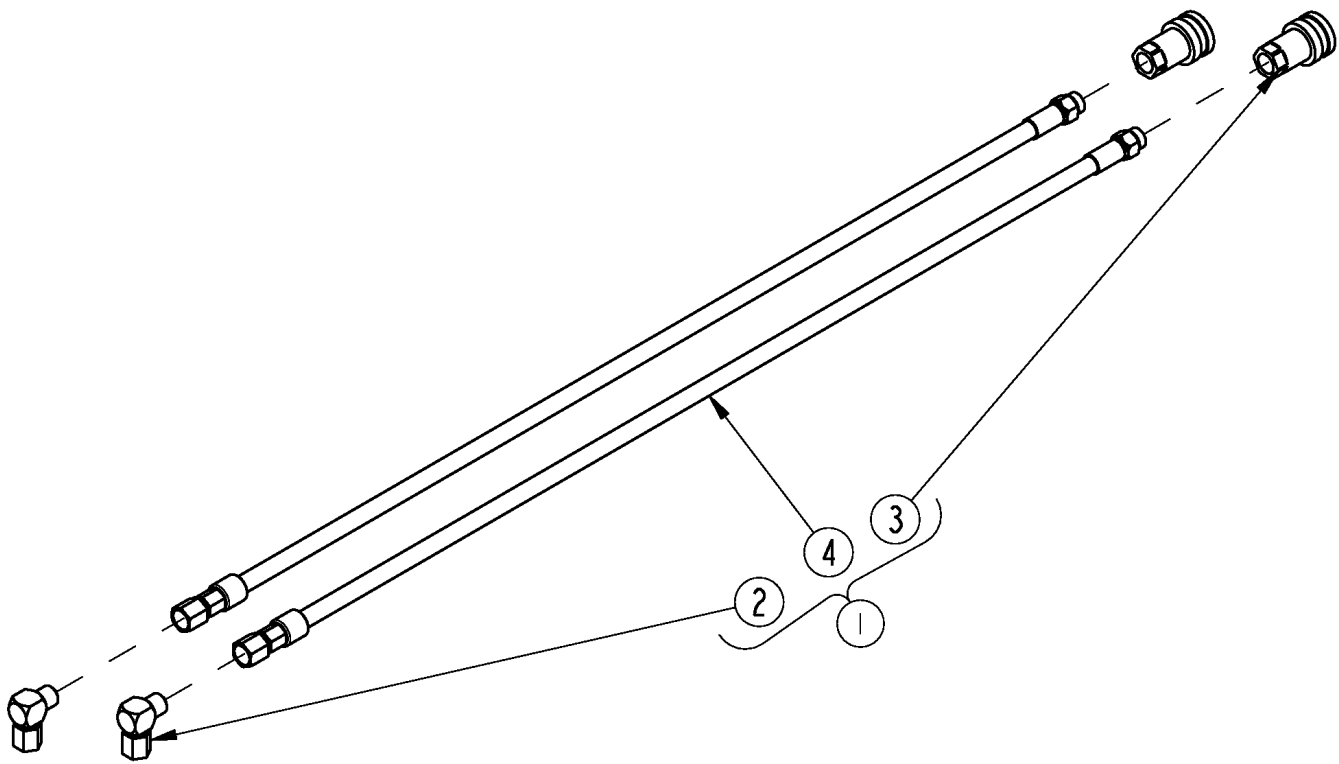
Shield Hydraulic Cylinder

Applies to SGR1566, SGR1572, SGR1578

Ref	Part No.	Part Description	Comments	Revision
	dwg35160	Drawing Image Number		
	380-023A	SHIELD, HYD CYLINDER		
		*		
1.	380-019H	WLDMT, HYD CYL SHIELD		
2.	380-020H	PIN, CYL SHIELD PIVOT		
3.	405-031D	1/4 PW SPACER 5/8 DIA		
4.	802-091C	HHCS 1/2-13X1 1/2 GR5		
5.	803-169C	NUT HEX FLG LOCK 1/2-13 PLT		

Third Function Hose Kit 380-150A

Applies to SGR1566, SGR1572, SGR1578



37014

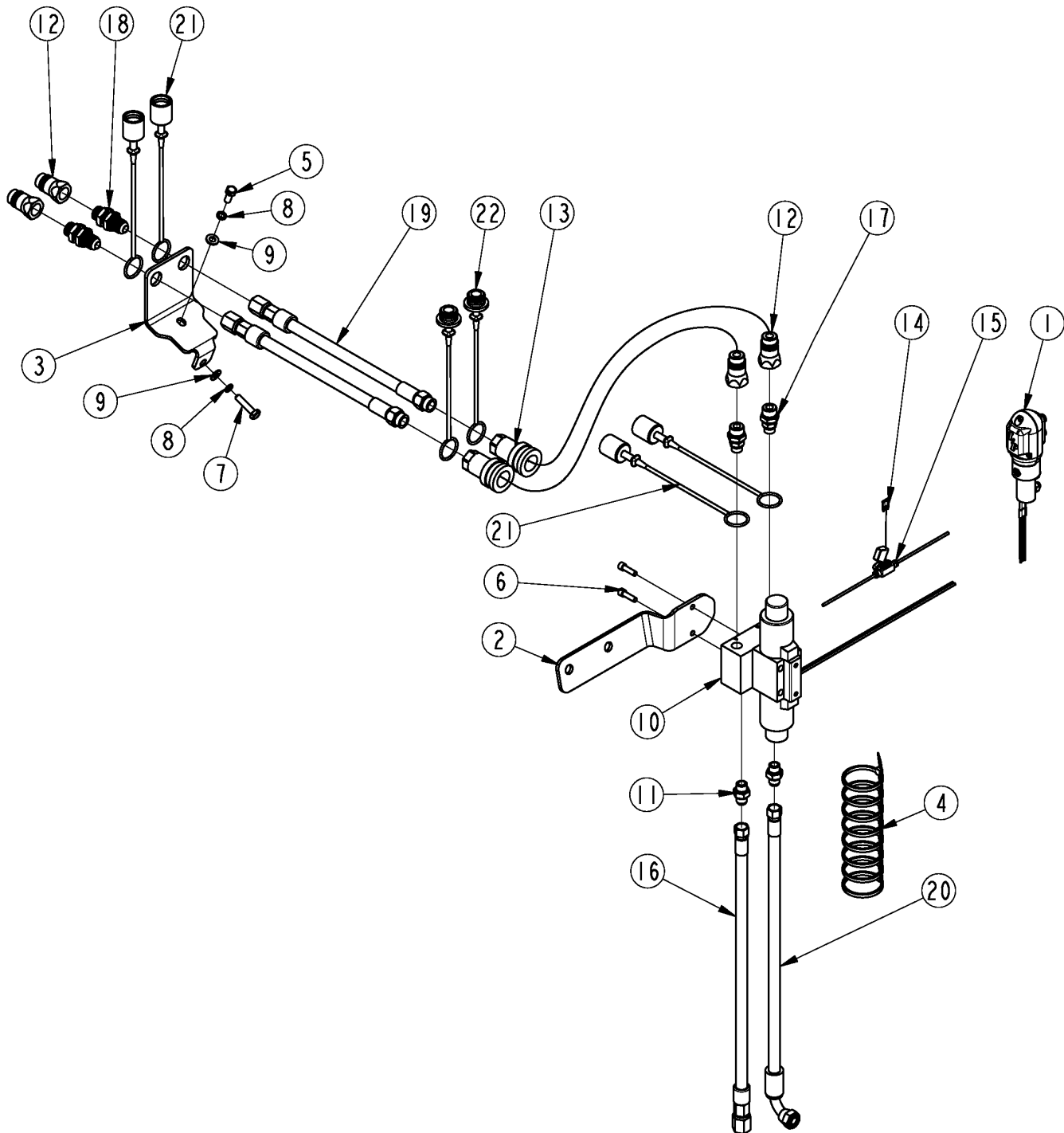
Third Function Hose Kit 380-150A

Applies to SGR1566, SGR1572, SGR1578

Ref	Part No.	Part Description	Comments	Revision
	dwg37014	Drawing Image Number		
1.	380-150A	HOSE KIT, THIRD FUNCTION		
2.	811-150C	EL 3/4FJIC 3/4MJIC		
3.	811-870C	CP 3/4FORB QD FEMALE (POPPET)		
4.	851-090C	HH3/8R2 044 3/4FJIC 3/4MORB		

Third Function Valve Kit 380-166A for Kubota MX4700, MX4800, MX5100, MX5200, MX5800, & MX6899

Applies to SGR1566, SGR1572, SGR1578



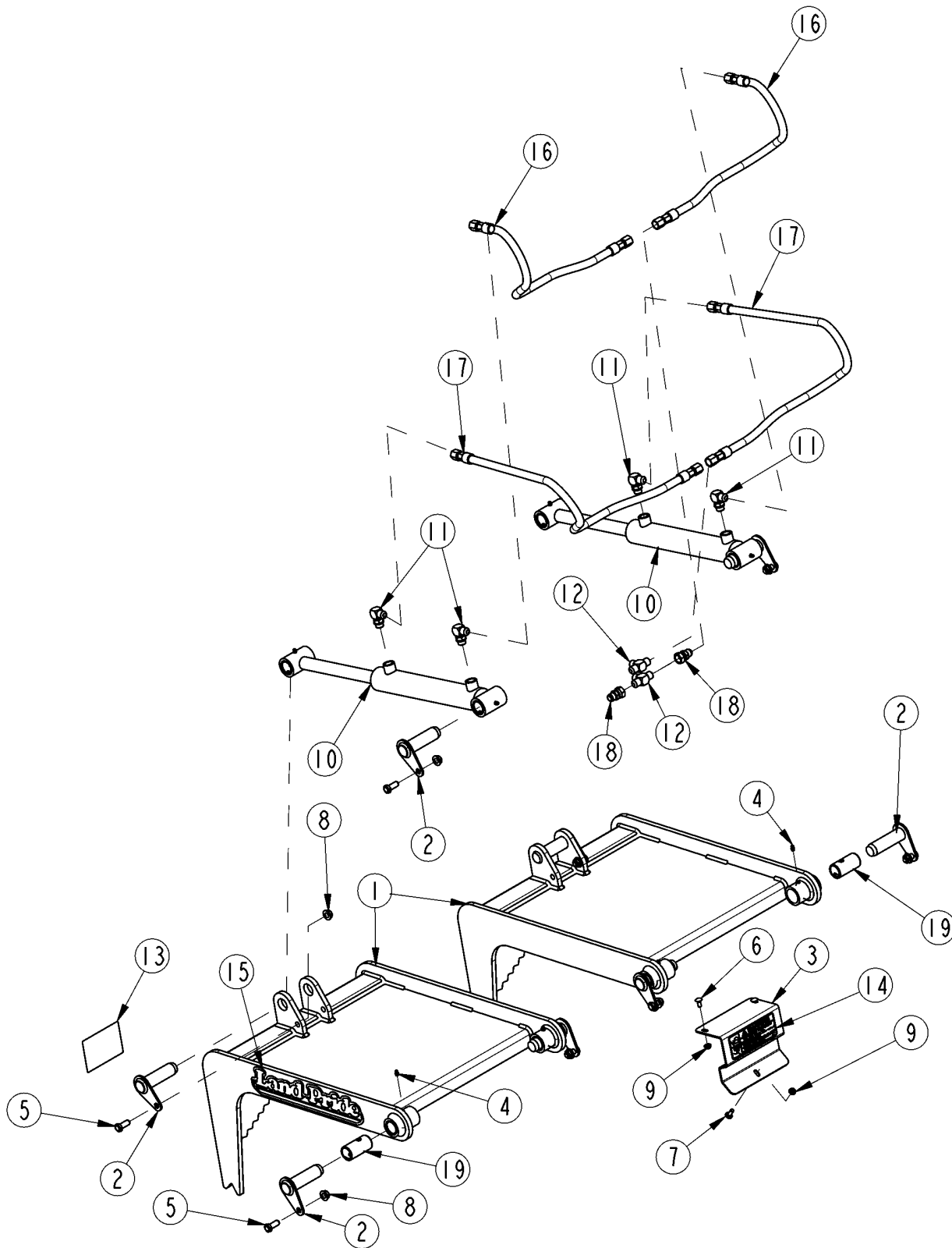
37543

Third Function Valve Kit 380-166A for Kubota MX4700, MX4800, MX5100, MX5200, MX5800, & MX6899**Applies to SGR1566, SGR1572, SGR1578**

Ref	Part No.	Part Description	Comments	Revision
	Dwg 37543	Image No.		
	380-166A	VALVE KIT MX5200 3RD FNCTION *		
1.	380-165S	ASY, PUSH BUTTON CNTRL HNDL		
2.	380-254D	BRKT, VALVE MOUNT		
3.	380-255D	PLATE, BLKHD MOUNT		
4.	800-112C	CABLE TIE .19X7.25 1.75D 50LB		
5.	802-314C	HHCS M8X1.25X20 GR8.8		
6.	802-418C	HSHCS 1/4-20X7/8		
7.	802-967C	HHCS M8X1.25X35 GR8.8		
8.	804-157C	WASHER SPRING LOCK M8 PLT		
9.	804-161C	WASHER FLAT M8 PLT		
10.	810-926C	VALVE, THIRD FUNCTION		
11.	811-170C	AD 9/16MORB 9/16MJIC		
12.	811-394C	CP 3/4FORB MALE QD POPPET TYPE		
13.	811-870C	CP 3/4FORB QD FEMALE (POPPET)		
14.	833-495C	FUSE, 10 AMP MINI BLADE		
15.	833-650C	BLADE FUSE HOLDER, MINI		
16.	841-331C	HH3/8R2 035 3/4FJIC 9/16FJIC		
17.	851-084C	AD 9/16MORB 3/4MORB		
18.	851-344C	AD 3/4MJIC 3/4MORB BLKHD W/ LN		
19.	851-489C	HH3/8R2 098 3/4FJIC 3/4MORB		
20.	851-490C	HH3/8R2 035 3/4FJIC90 9/16FJIC		
21.	851-974C	DUST CAP, 1/2" QD AG		
22.	851-975C	DUST PLUG, 1/2" QD AG		

Upper Grapple Option

Applies to SGR1566, SGR1572, SGR1578



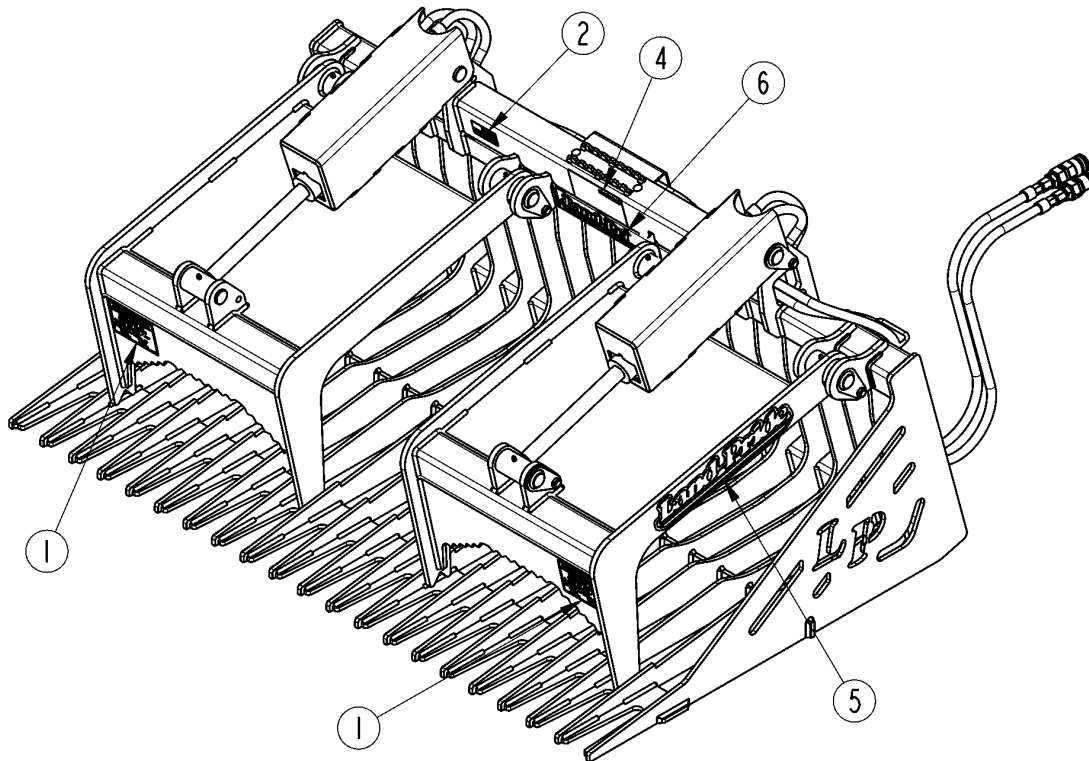
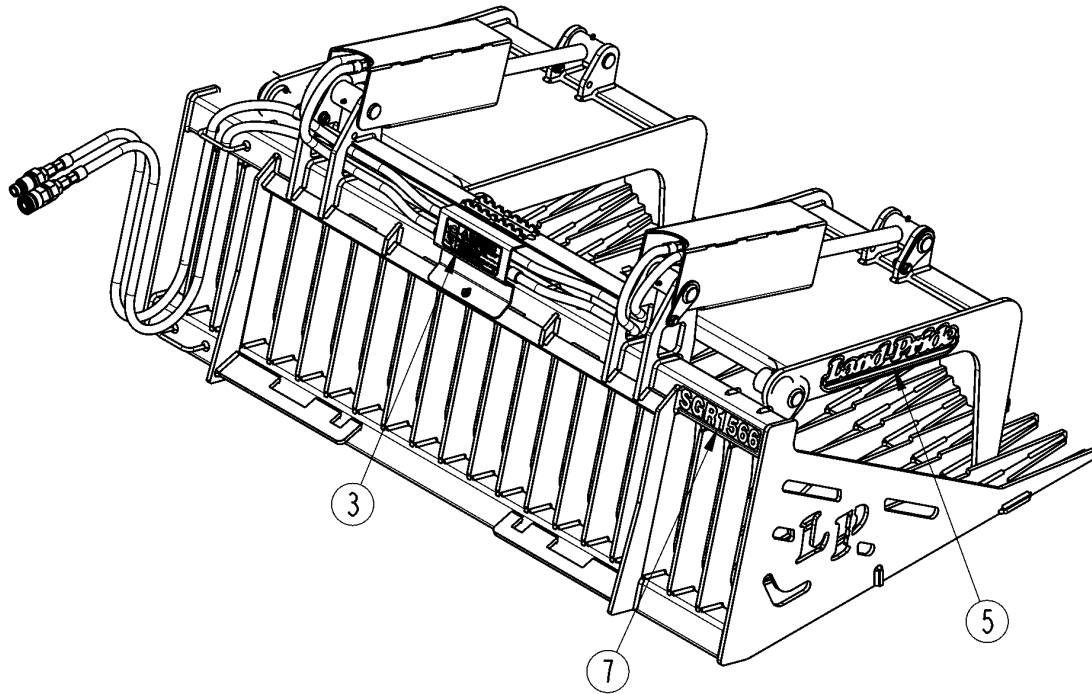
35411

Upper Grapple Option**Applies to SGR1566, SGR1572, SGR1578**

Ref	Part No.	Part Description	Comments	Revision
	dwg35411	Drawing Image Number		
	380-030A	UPPER GRAPPLE		
		*		
1.	380-015H	WLDMT, GRAPPLE CLAW		
2.	380-018H	WLDMT, PIVOT PIN		
3.	380-045D	COVER, HYD HOSE		
4.	800-080C	GREASE ZERK 1/4-28 THD FORMING		
5.	802-034C	HHCS 1/2-13X1 1/4 GR5		
6.	802-092C	RHSNB 5/16-18X3/4 GR5		
7.	802-282C	RHSNB 5/16-18X1 GR5		
8.	803-169C	NUT HEX FLG LOCK 1/2-13 PLT		
9.	803-177C	NUT HEX FLG TP LK 5/16-18ZNYCR		
10.	810-815C	CYL 2X8X1 1/4 ROD WELDED		
11.	811-063C	EL 3/4MJIC 3/4MORB		
12.	811-078C	TE 3/4MJIC		
13.	818-045C	DECAL WARNING PINCH PT/CRUSH		
14.	838-094C	DECAL WARNING HYD PRESS LONG		
15.	838-965C	DECAL LANDPRIDE 16" BROWN/GOLD		
16.	841-826C	HH1/2R2 26.5 3/4FJIC TUFF COAT	962982-	
16.	851-691C	HH1/2R2 021 3/4FJIC TUFF COAT	962983+	
17.	841-827C	HH1/2R2 038 3/4FJIC TUFF COAT	962982-	
17.	851-692C	HH1/2R2 033 3/4FJIC TUFF COAT	962983+	
18.	841-910C	ORAD 3/32 3/4MJIC 3/4FJIC		
19.	890-389C	BUSHING 1.50ODX1.25IDX2.94		

Label Placement

Applies to SGR1566, SGR1572, SGR1578



35161

Label Placement

Applies to SGR1566, SGR1572, SGR1578

Ref	Part No.	Part Description	Comments	Revision
	dwg35161	Drawing Image Number		
1.	818-045C	DECAL WARNING PINCH PT/CRUSH		
2.	818-190C	DECAL FLAG		
3.	838-094C	DECAL WARNING HYD PRESS LONG		
4.	838-293C	DECAL WARNING READ MANUAL		
5.	838-965C	DECAL LANDPRIDE 16" BROWN/GOLD		
6.	848-159C	DECAL LANDPRIDE 10" BROWN/GOLD		
7.	848-960C	DECAL, SGR1566 GOLD		
7.	858-018C	DECAL, SGR1572 GOLD		
7.	848-961C	DECAL, SGR1578 GOLD		



Part Number Index

The Part Number Index is a numeric index of all part numbers included in this manual. The index shows what page(s) the part is used on.

<u>Part Number</u>	<u>Page</u>	<u>Part Number</u>	<u>Page</u>
00082477	11	851-691C	9, 21
0A009944-03	11	851-692C	9, 21
14676A	11	851-974C	19
16948B	11	851-975C	19
16951B	11	858-018C	23
380-015H	7, 21	890-389C	7, 21
380-018H	7, 9, 21	891-177C	11
380-019H	15	Dwg 37543	19
380-020H	7, 9, 15	dwg35158	7
380-023A	15	dwg35160	15
380-024H	7	dwg35161	23
380-026H	7	dwg35173	11
380-030A	21	dwg35269	13
380-045D	9, 21	dwg35411	21
380-059H	7	dwg37014	17
380-061A	13	dwg39386	9
380-150A	17	N/A	11
380-165S	19		
380-166A	19		
380-254D	19		
380-255D	19		
405-031D	15		
44058C	11		
44059C	11		
44430X	11		
800-080C	7, 11, 21		
800-112C	19		
802-034C	7, 9, 21		
802-091C	15		
802-092C	9, 21		
802-282C	9, 21		
802-314C	19		
802-418C	19		
802-967C	19		
803-169C	7, 9, 15, 21		
803-177C	9, 21		
804-157C	19		
804-161C	19		
810-815C	9, 11, 21		
810-926C	19		
811-063C	9, 21		
811-078C	9, 21		
811-091C	13		
811-150C	17		
811-170C	19		
811-205C	13		
811-394C	19		
811-744C	13		
811-745C	13		
811-870C	17, 19		
818-045C	21, 23		
818-190C	23		
833-495C	19		
833-650C	19		
838-094C	21, 23		
838-293C	23		
838-965C	21, 23		
841-331C	19		
841-826C	9, 21		
841-827C	9, 21		
841-828C	13		
841-910C	9, 21		
848-159C	23		
848-960C	23		
848-961C	23		
851-084C	19		
851-090C	17		
851-344C	19		
851-489C	19		
851-490C	19		

This Page Intentionally Left Blank



Great Plains Manufacturing, Inc.

Corporate Office: P.O. Box 5060
Salina, Kansas 67402-5060 USA

www.landpride.com
