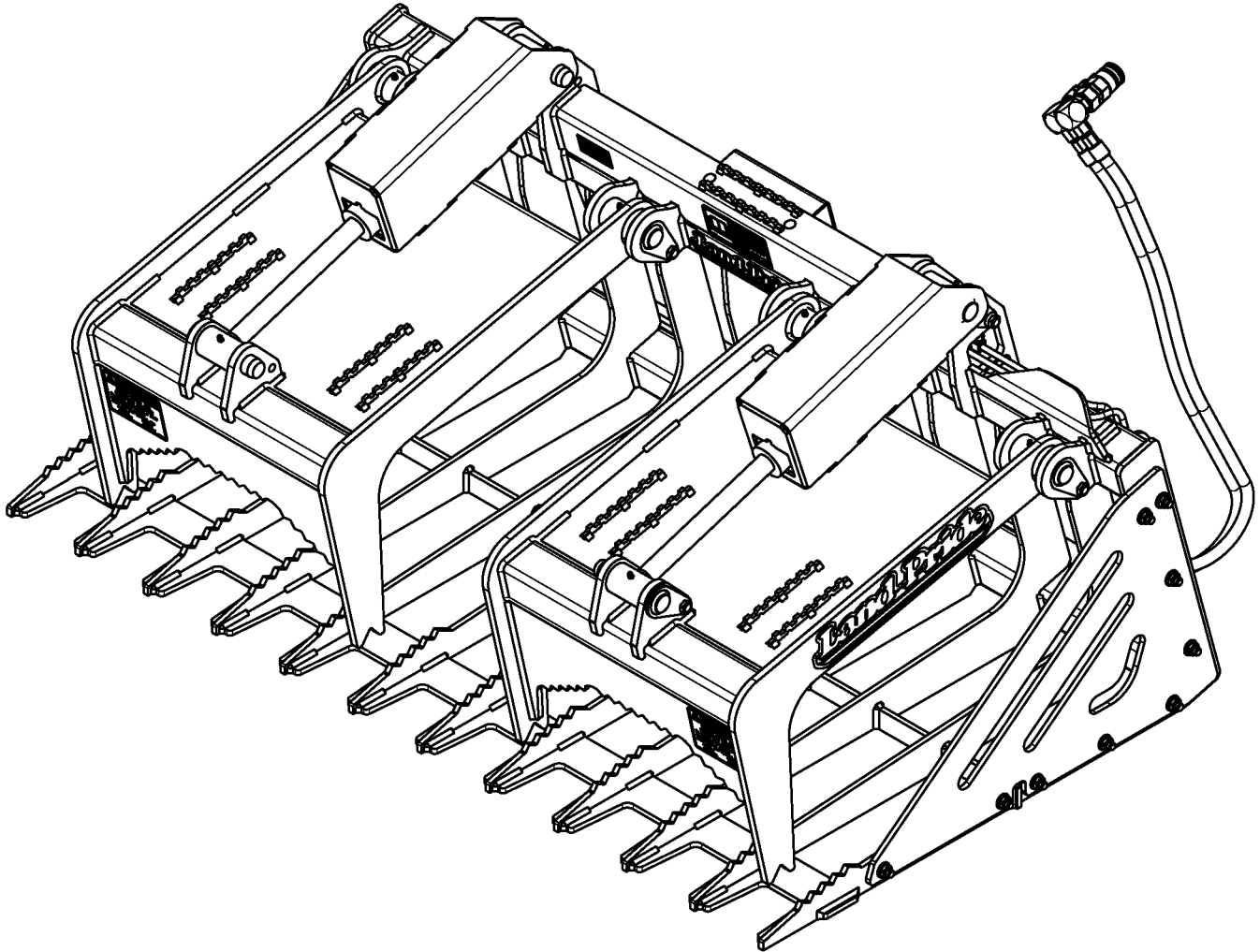


Grapples

SGS1566 & SGS1578



35163

380-053P Parts Manual



Read the Operator's Manual entirely. When you see this symbol, the subsequent instructions and warnings are serious - follow without exception. Your life and the lives of others depend on it!

© Copyright 2018 Printed 09/14/18

Cover photo may show optional equipment not supplied with standard unit.





Table of Contents

Section 1: Introduction.....	4
Using This Manual.....	4
Manual Replacement Information.....	4
Manual Revisions.....	4
Touch-up Paint.....	4
Hardware Legend.....	5
Replacement Hardware.....	5
Serial Numbers.....	5
Part Number Service Coding.....	5
Section 2: Main Assembly.....	6
Bucket & Grapple Hook.....	6
End Panels.....	8
Hydraulic Components.....	10
Hydraulic Cylinder (810-815C).....	12
Section 3: Options & Accessories.....	14
Hydraulic Cylinder Shield.....	14
Hydraulic Hose Option Kubota SVL.....	16
Third Function Hose Kit 380-150A.....	18
Third Function Valve Kit 380-166A for Kubota MX4700.....	20
MX4800.....	20
MX5100.....	20
MX5200.....	20
MX5800.....	20
& MX6899.....	20
Upper Grapple Option.....	22
Section 4: Decals.....	24
Decal Placement.....	24
Land Pride Touch-up Paints.....	26
Part Number Index.....	28

© Copyright 2018. All rights reserved.

Land Pride provides this publication “as is” without warranty of any kind, either expressed or implied. While every precaution has been taken in the preparation of this manual, Land Pride assumes no responsibility for errors or omissions. Neither is any liability assumed for damages resulting from the use of the information contained herein. Land Pride reserves the right to revise and improve its products as it sees fit. This publication describes the state of this product at the time of its publication, and may not reflect the product in the future. The illustrations in this manual are not intended for safe and proper assembly or disassembly of equipment. The illustrations are intended for ordering parts only.

Land Pride is registered trademark.

All other brands and product names are trademarks or registered trademarks of their respective holders.

Printed in the United States of America.



Alphabetized Table of Contents

B	
Bucket & Grapple Hook.....	6
D	
Decal Placement.....	24
E	
End Panels.....	8
H	
Hydraulic Components.....	10
Hydraulic Cylinder (810-815C).....	12
Hydraulic Cylinder Shield.....	14
Hydraulic Hose Option Kubota SVL.....	16
L	
Land Pride Touch-up Paints.....	26
T	
Third Function Hose Kit 380-150A.....	18
Third Function Valve Kit 380-166A for Kubota MX4700, MX4800, MX5100, MX5200, MX5800, & MX6899.....	20
U	
Upper Grapple Option.....	22

General Information

Using This Manual

This manual is divided into sections. The first section contains General Information. The remaining sections divide the machine into segments (i.e. Frames, Drives, Hydraulics, etc.) which illustrate and list all parts. A Parts Number Index is located at the back of the book.

The Land Pride parts in this manual are specially designed for this machine and should be replaced with Land Pride parts only.

The information in this manual is current at time of printing. Some parts may change to assure top performance.

Right-hand and left-hand as used in this manual are determined by facing the direction the machine will travel while in use.

Below is an example of two facing pages from a parts manual. Familiarize yourself with the type of information contained on these pages.

Manual Replacement Information

Replacement manuals are available. Refer to our website at www.landpride.com or e-mail us at lit@landpride.com for additional information. Our website continues to provide the most up-to-date manuals available.

Touch-up Paint

Repaint parts where paint is worn or scratched to prevent rust. Aerosol cans and touch-up bottles with brush applicator are available through your local dealer. Also available are quart and gallon size paints. Add QT or GL to end of the Aerosol P/N.

Land Pride color descriptions and part numbers are listed on the "Land Pride Touch-up Paints" page in the "Decals" section of this book. Color options vary by product.



General Information

Hardware Legend

AR	As Required
BLADE	Blade Bolt
C	Cap Screw
CP	Cotter Pin
CPHSSS	Cup Point Hex Socket Set Screw
CPSHSS	Cup Point Square Head Set Screw
CPSQHSS	Cup Point Square Head Set Screw
CRFCHMS3	Cross Recess Flat Countersunk Head Machine Screw
CRPHMS	Cross Recess Pan Head Machine Screw
CRPHTF	Cross Recess Pan Head Thread Forming
CRRHMS	Cross Recess Round Head Machine Screw
CRTHMS	Cross Recess Truss Head Machine Screw
CSNB	Countersunk Square Neck Bolt
FHMS	Flat Head Machine Screw
FTC	Full Thread Cap Screw
H	Hex Nut
HCLN	Hex Center Lock Nut
HFLCS	Hex Flange Lock Cap Screw
HFS	Hex Flange Screw
HFSLN	Hex Flange Serrated Lock Nut
HFSS	Hex Flange Serrated Screw
HHCS	Hex Head Cap Screw or Metric Bolt
HSBHCS	Hex Socket Button Head Cap Screw
HSFCHCS	Hex Socket Flat Countersunk Head Cap Screw
HSHCS	Hex Socket Head Cap Screw
HSSS	Hex Socket Head Screw
HTLN	Hex Top Lock Nut
HWHCS	Hex Washer Head Cap Screw

HWHMS	Hex Washer Head Machine Screw
HXBHCS	Hex Socket Button Head Cap Screw
J	Hex Jam Nut
JIC	37 Degree Tapered Thread
L	Helical Spring Lock Washer
LUG	Lug Bolt
NFC	National Fine Cap Screw
NPSM	National Pipe Straight Mechanical
NPTF	National Pipe Taper Fuel
P	Wide Plain Washer
PHMS	Pan Head Machine Screw
PLOW	Plow Bolt
RHMS	Round Head Machine Screw
RHSNB	Round Head Square Neck Bolt
SCREW LEVELING	Leveling Screw
SCREW THUMB	Thumb Screw
SCREW WELD	Weld Screw
SFCHMS	Slotted Flat Countersunk Head Machine Screw
SFHMS	Slotted Fillister Head Machine Screw
SP	Special
SP SCREW	Special Screw
SQHSS	Square Head Set Screw
SRHMS	Slotted Round Head Machine Screw
SSS	Socket Set Screw
STCS	Self Tapping Cap Screw
STHMS	Slotted Truss Head Machine Screw
WHEEL	Wheel Studs and Hub Long Bolts
WING	Wing Bolt

Replacement Hardware

The **Hardware Legend** above lists hardware abbreviations used in the parts list. All bolts and nuts are Grade 5 unless otherwise noted. The use of improper grades of hardware can result in personal injury, damage to equipment, or loss of property.

Colored Replacement Parts

Land Pride offers replacement parts in factory standard colors and also on select models in Green, Orange, Red and Blue. Because of the variety of colors available, special attention must be given to the part number to prevent ordering the wrong replacement part.

A suffix number corresponding to one of the colors below must be added at the end of Land Pride's part number when ordering a replacement part with that color.

81 Green 83 Red
82 Orange 84 Blue

For example, if you are ordering a replacement part with part number 555-555C and the part you need is red, then add the suffix 83 to the end of the number to make the part number read 555-555C83. Parts ordered without a suffix number will be supplied in factory standard colors.

Black Replacement Parts

Some parts are factory standard black and some must be special ordered black. If your part is special ordered black, a second part number with the additional suffix number 85 on the end will be available. In this situation you must order that part with the suffix number for it to be black. Parts that are factory standard black will not have the suffix number.

Part Number Service Coding

Within the parts list some part numbers are coded for revisions and interchangeability. See notations in revision column.

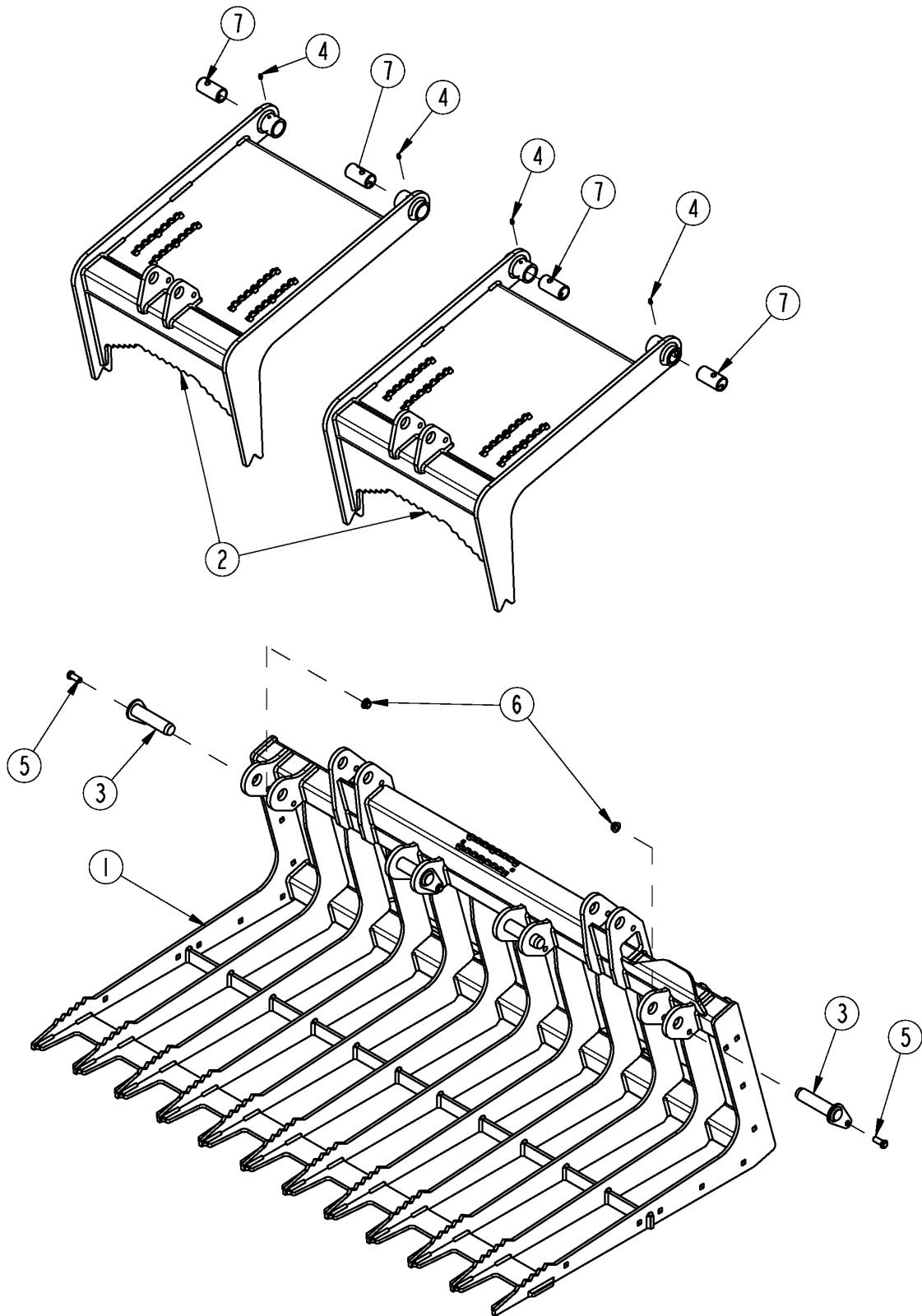
Serial Numbers

Always use the serial and model number when ordering parts. Refer to the Operator's Manual for serial number plate location.

- (S/N 20001+) Includes serial numbers 20001 and above (to the latest number)
- (S/N 10001 to 20000) Includes serial numbers between and including 10001 and 20000
- (S/N 10000-) Includes serial numbers 10000 and below (to the earliest number)

Bucket & Grapple Hook

Applies to SGS1566, SGS1578



35164

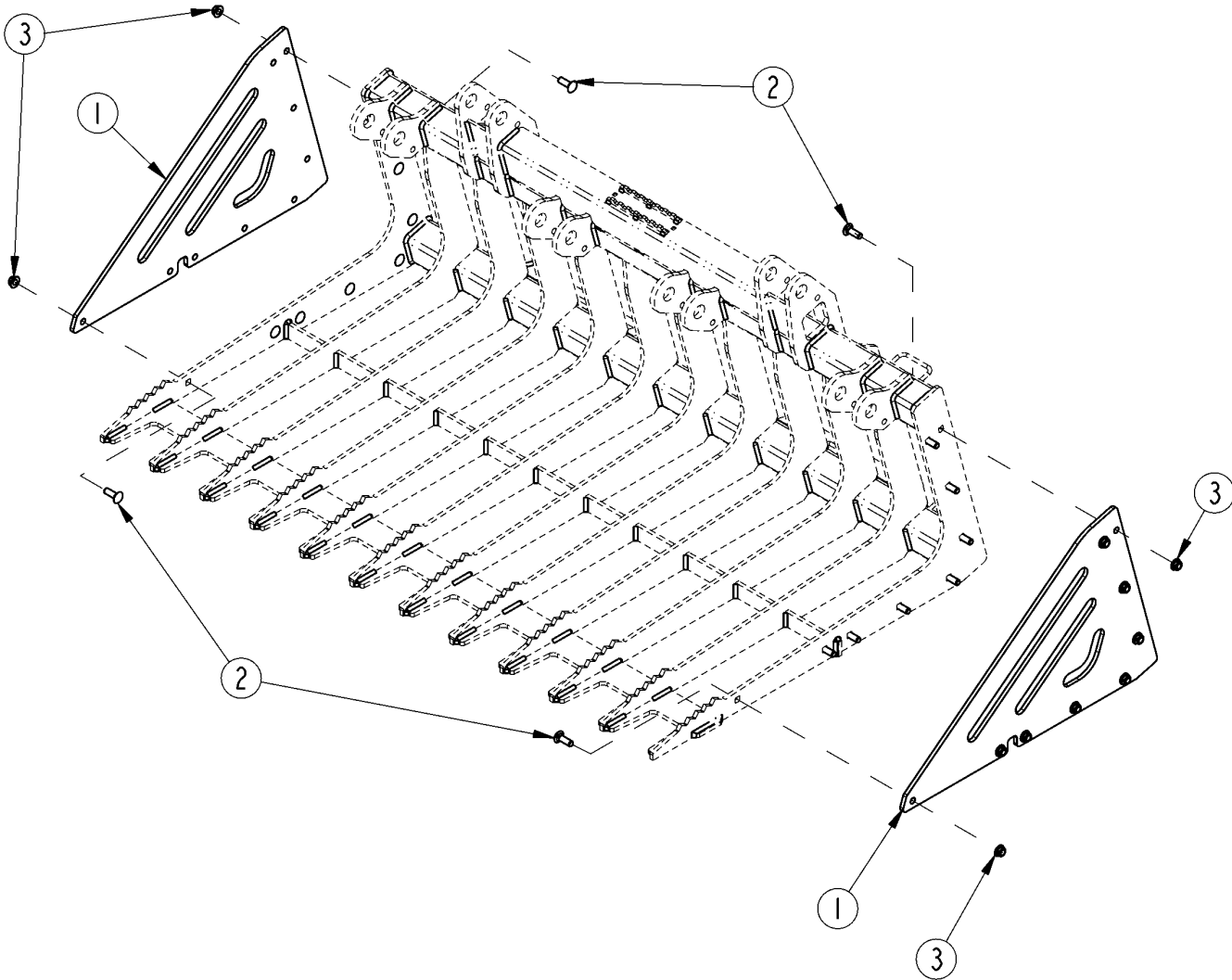
Bucket & Grapple Hook

Applies to SGS1566, SGS1578

Ref	Part No.	Part Description	Comments	Revision
	Dwg 35164	Drawing Image Number		
1.	380-014H	WLDMT, GRAPPLE BUCKET 66	SGS1566	
1.	380-021H	WLDMT, GRAPPLE BUCKET 78	SGS1578	
2.	380-015H	WLDMT, GRAPPLE CLAW		
3.	380-020H	PIN, CYL SHIELD PIVOT	S/N 869712+	
3.	380-018H	WLDMT, PIVOT PIN	S/N 869711-	
4.	800-080C	GREASE ZERK 1/4-28 THD FORMING		
5.	802-034C	HHCS 1/2-13X1 1/4 GR5		
6.	803-169C	NUT HEX FLG LOCK 1/2-13 PLT		
7.	890-389C	BUSHING 1.50ODX1.25IDX2.94		

End Panels

Applies to SGS1566, SGS1578



35267

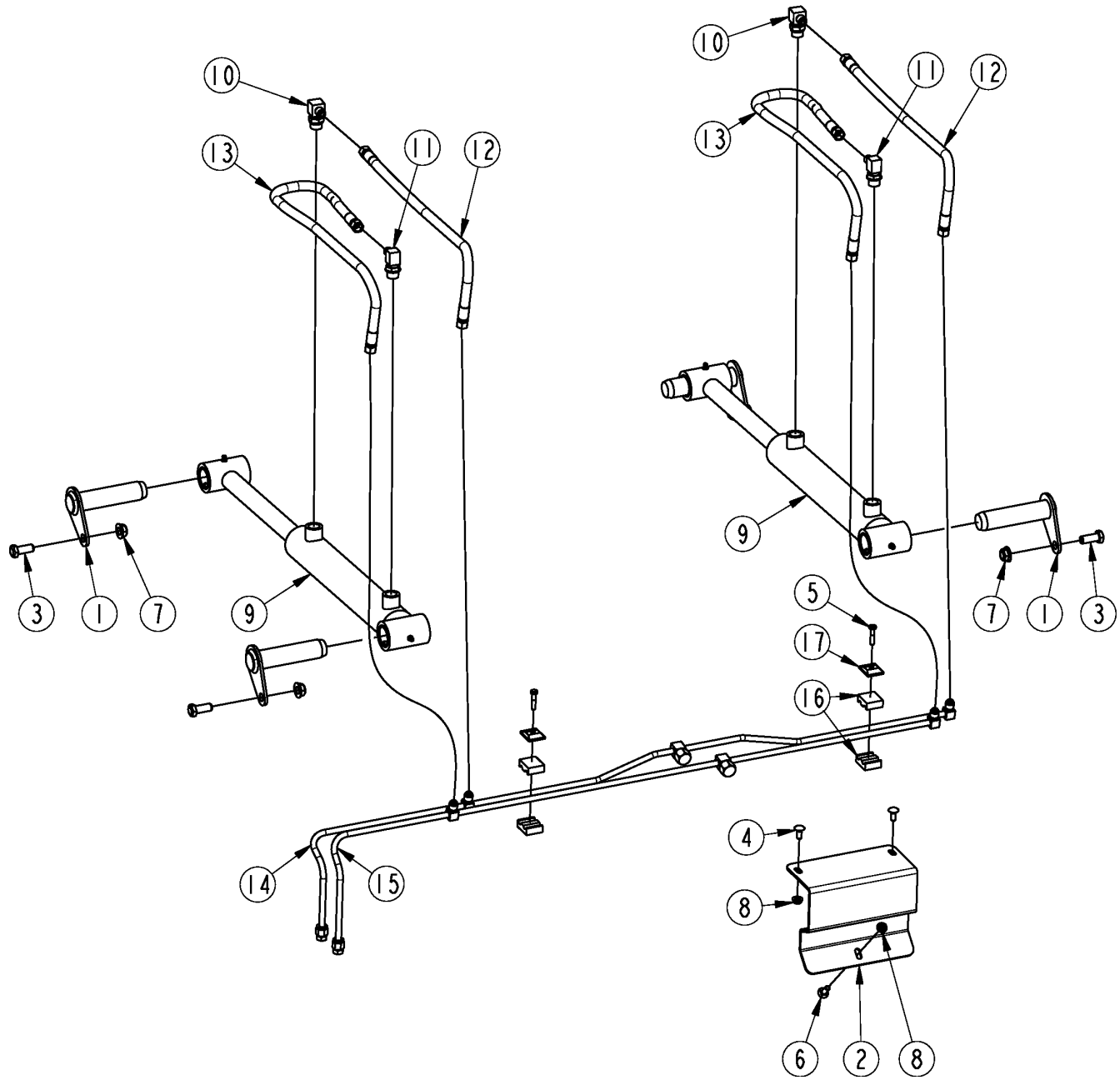
End Panels

Applies to SGS1566, SGS1578

Ref	Part No.	Part Description	Comments	Revision
	Dwg 35267 380-057A	Drawing Image Number KIT, SGS15 BOLT-ON END PANEL	S/N 783835+ Has Mounting Holes S/N 783834- Requires Drilling	
		*		
1.	380-109D	END PANEL, SGS15 BOLT ON		
2.	802-106C	RHSNB 1/2-13X1 1/2 GR5		
3.	803-169C	NUT HEX FLG LOCK 1/2-13 PLT		

Hydraulic Components

Applies to SGS1566, SGS1578



70877

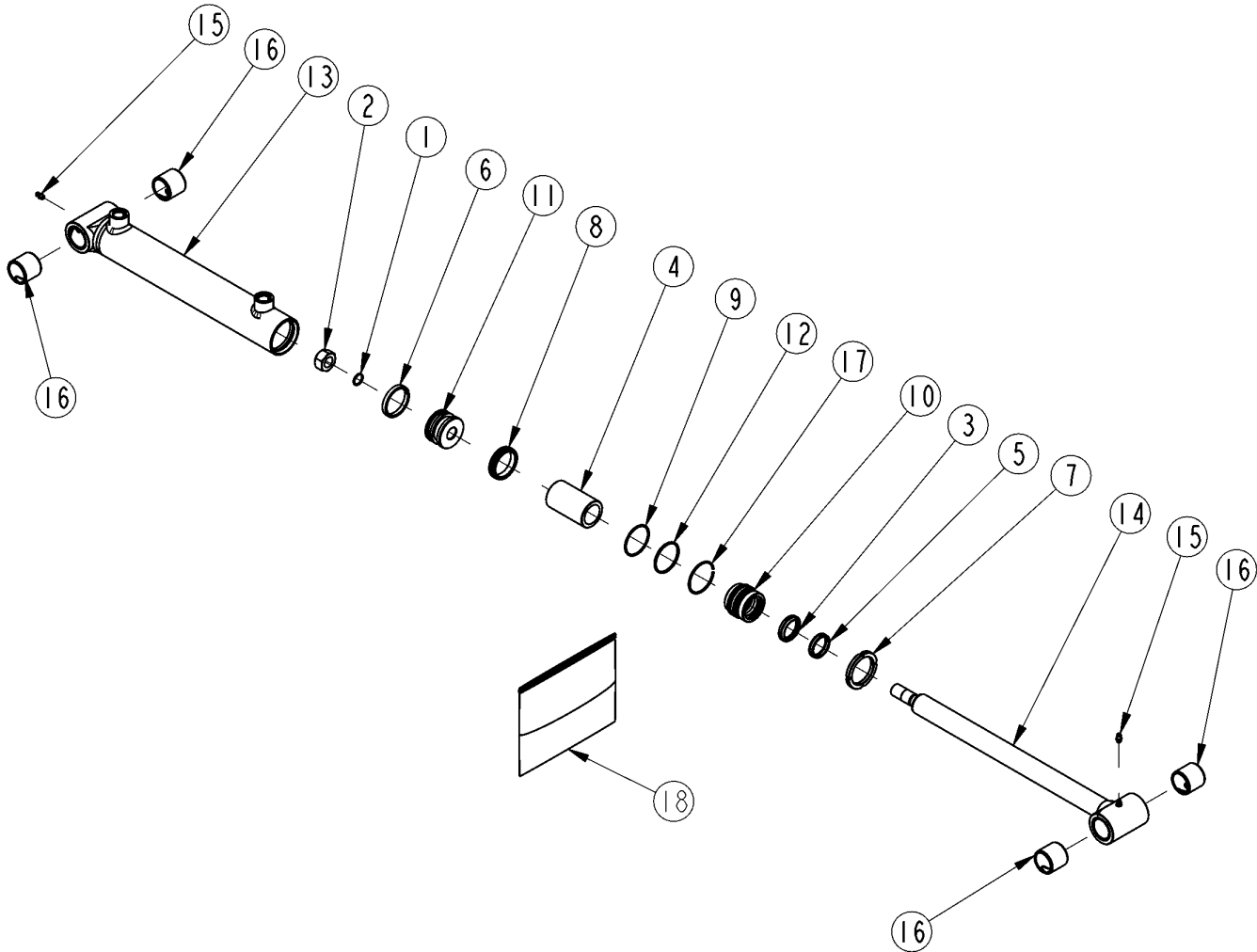
Hydraulic Components**Applies to SGS1566, SGS1578**

Ref	Part No.	Part Description	Comments	Revision
	Dwg 70877	Image No.		
1.	380-020H	PIN, CYL SHIELD PIVOT		
2.	380-045D	COVER, HYD HOSE		
3.	802-034C	HHCS 1/2-13X1 1/4 GR5		
4.	802-092C	RHSNB 5/16-18X3/4 GR5		
5.	802-224C	HHCS 1/4-20X1 1/4 GR5	S/N_____+	
6.	802-282C	RHSNB 5/16-18X1 GR5		
7.	803-169C	NUT HEX FLG LOCK 1/2-13 PLT		
8.	803-177C	NUT HEX FLG TP LK 5/16-18ZNYCR		
9.	810-815C	CYL 2X8X1 1/4 ROD WELDED		
10.	811-171C	EL 3/4MORB 9/16MJIC	S/N_____+	
11.	841-284C	OREL 1/16 9/16MJIC 3/4MORB	S/N_____+	
12.	851-756C	HH1/4R2 020 1/2 9/16FJIC	S/N_____+	
13.	851-757C	HH1/4R2 030 9/16FJIC	S/N_____+	
14.	861-148C	HYDRAULIC HARD LINE	S/N_____+	
15.	861-149C	HYDRAULIC HARD LINE	S/N_____+	
16.	891-798C	3/8 TWIN HOSE CLAMP	S/N_____+	
17.	891-800C	TWIN HOSE CLAMP TOP COVER	S/N_____+	

*
If the unit is S/N _____ - you may have to refer to "Upper Grapple Option" in section 3 of this manual.

Hydraulic Cylinder (810-815C)

Applies to SGS1566, SGS1578



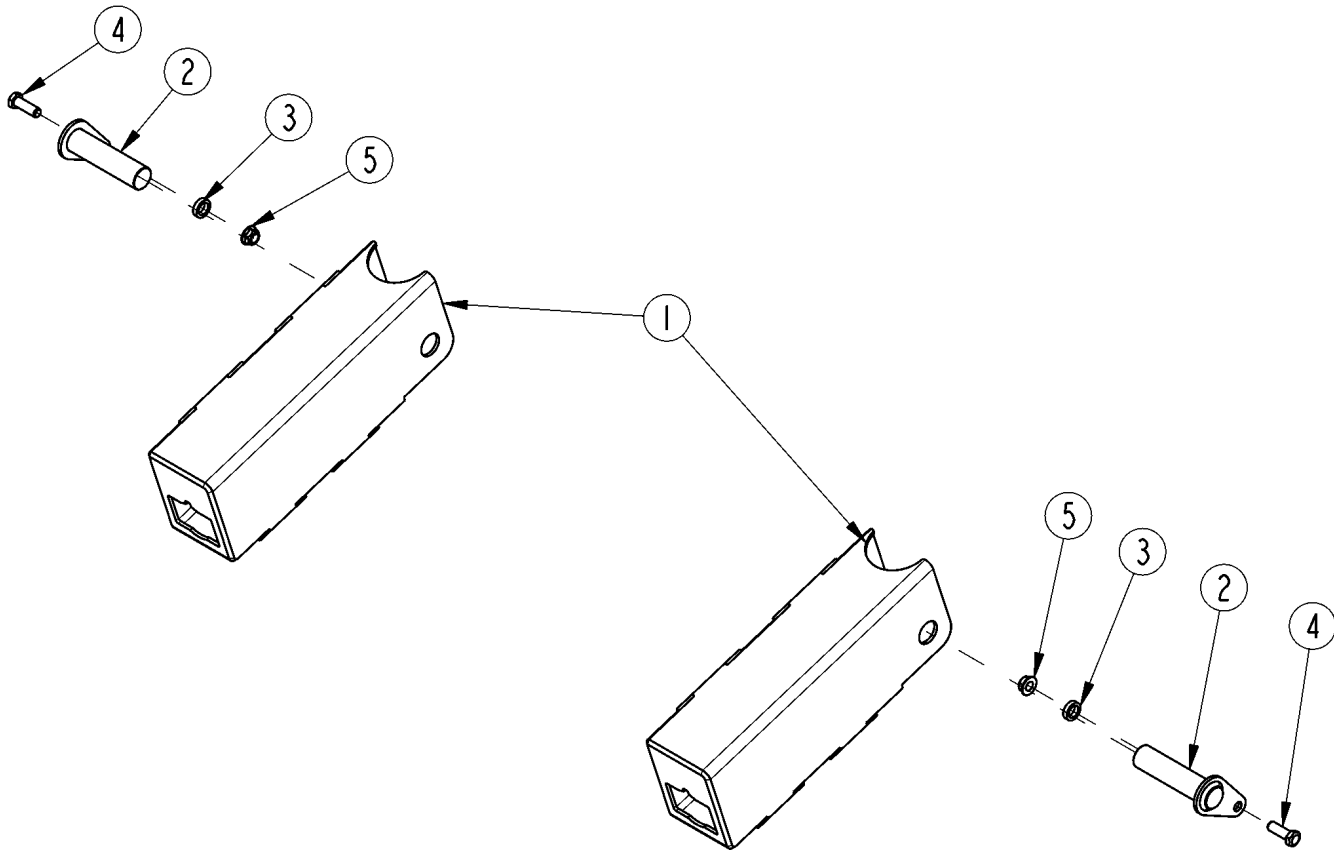
35173

Hydraulic Cylinder (810-815C)**Applies to SGS1566, SGS1578**

Ref	Part No.	Part Description	Comments	Revision
	Dwg 35173 810-815C	Drawing Image Number CYL 2X8X1 1/4 ROD WELDED *		
1.	N/A	EGY ORING N .625X.75 016 D70	In Seal Kit Item #18	
2.	00082477	EGY NUT LOCK REG 3/4-16 GR C		
3.	N/A	EGY WIPER RING 1.25 HVY SECTIO	In Seal Kit Item #18	
4.	0A009944-03	EGY STOP TUBE 1.266IDX1.75ODX3		
5.	N/A	EGY SEAL POLY 1.25X1.50D0.25	In Seal Kit Item #18	
6.	N/A	EGY WEAR RING 2.0ODX.25X.125	In Seal Kit Item #18	
7.	14676A	EGY SPANNER NUT 0.25X2.375 OD		
8.	N/A	EGY PSP PISTON SEAL 2.0 BORE	In Seal Kit Item #18	
9.	N/A	EGY BACKUP RING H 1.812X2.0	In Seal Kit Item #18	
10.	16948B	EGY GUIDE 2.0 BORE-1.25 ROD		
11.	16951B	EGY PISTON - 2.00 BORE		
12.	N/A	EGY ORING NT 1.812X2.0 133 D70	In Seal Kit Item #18	
13.	44058C	EGY CYL BODY 2.00ID W/C 43983C		
14.	44059C	EGY ROD 1.25 W/C 43984B(17.75)		
15.	800-080C	GREASE ZERK 1/4-28 THD FORMING		
16.	891-177C	BHG 1.50ODX1.25X1.38		
17.	N/A	EGY RET RING RD INT 2.0	In Seal Kit Item #18	
18.	44430X	EGY SEAL KIT (810-815C)		

Hydraulic Cylinder Shield

Applies to SGS1566, SGS1578



35160

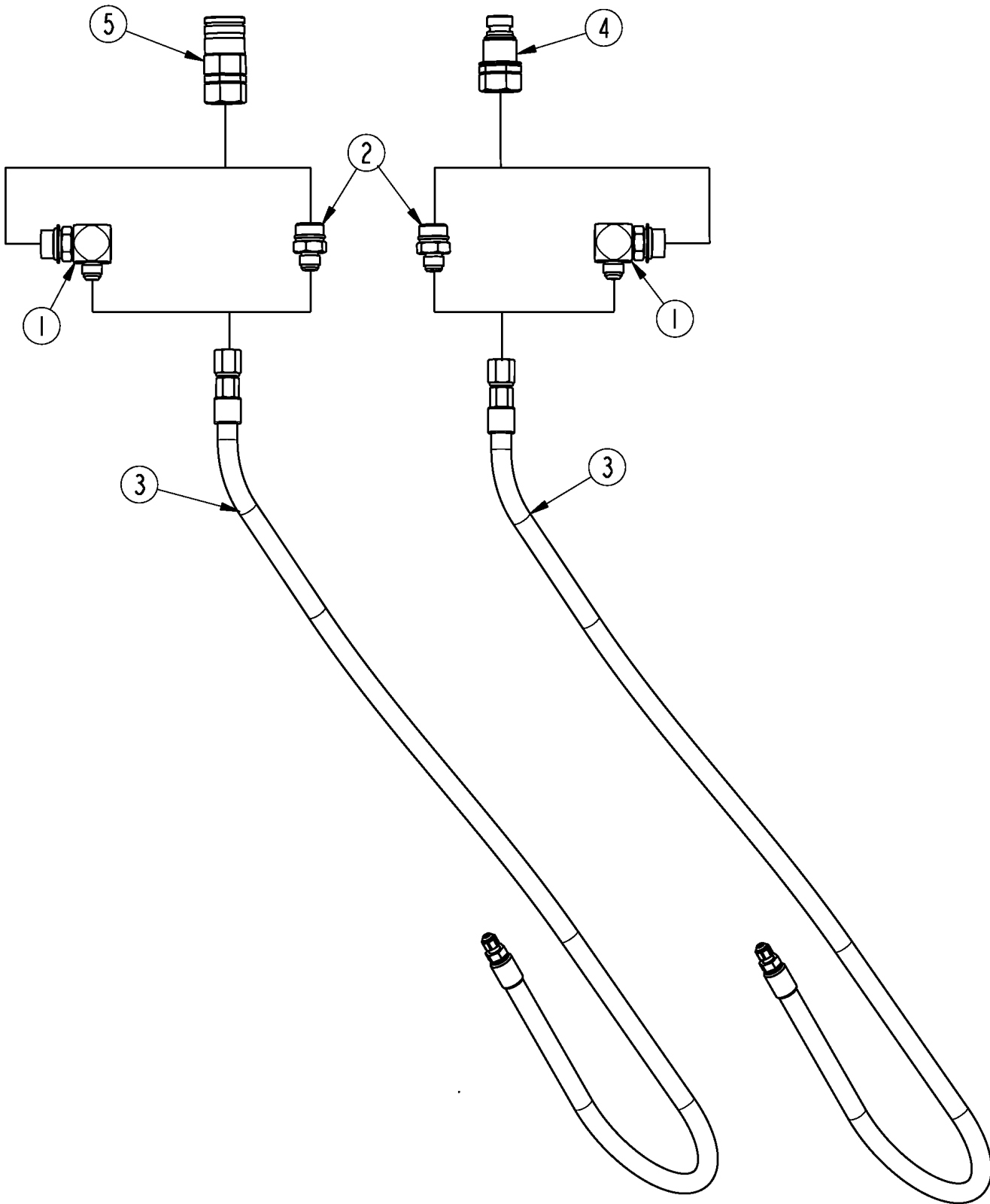
Hydraulic Cylinder Shield

Applies to SGS1566, SGS1578

Ref	Part No.	Part Description	Comments	Revision
	dwg35160	Drawing Image Number		
	380-023A	SHIELD, HYD CYLINDER *		
1.	380-019H	WLDMT, HYD CYL SHIELD		
2.	380-020H	PIN, CYL SHIELD PIVOT		
3.	405-031D	1/4 PW SPACER 5/8 DIA		
4.	802-091C	HHCS 1/2-13X1 1/2 GR5		
5.	803-169C	NUT HEX FLG LOCK 1/2-13 PLT		

Hydraulic Hose Option Kubota SVL

Applies to SGS1566, SGS1578



35269

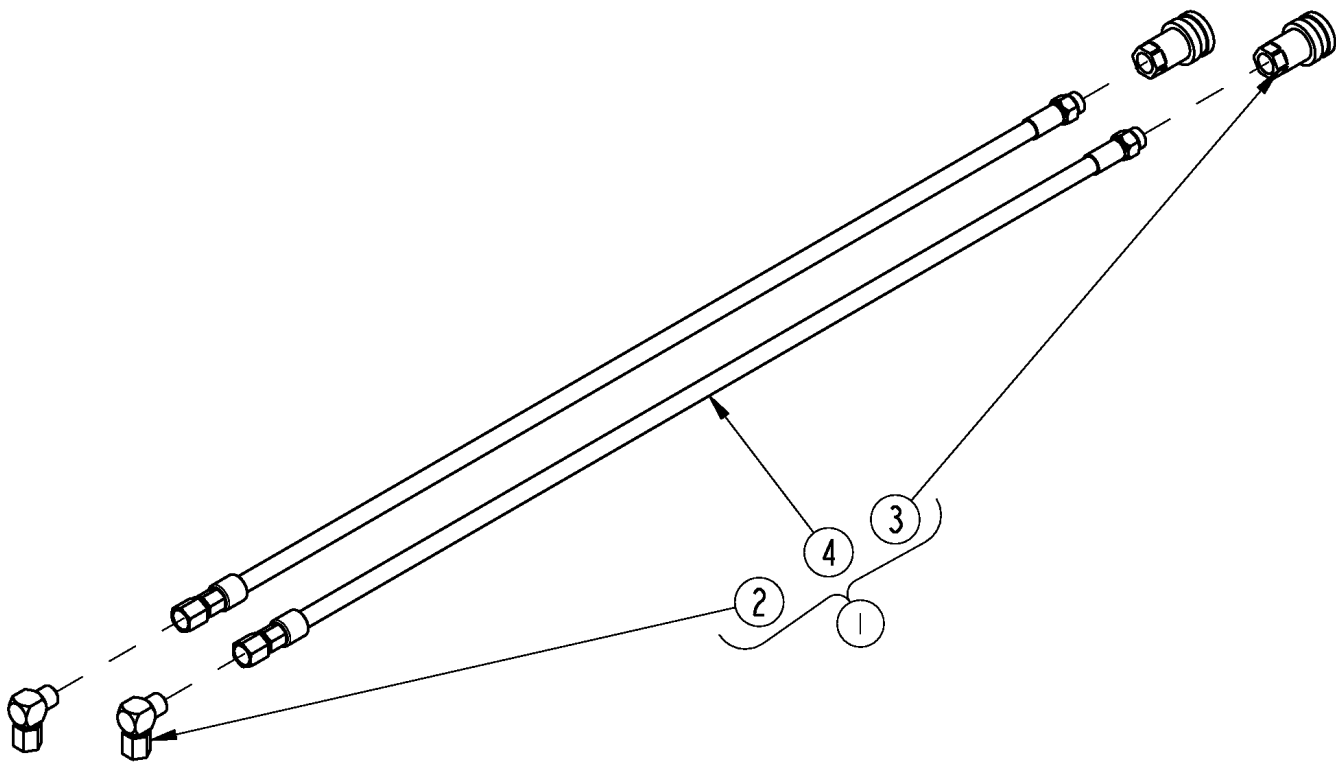
Hydraulic Hose Option Kubota SVL

Applies to SGS1566, SGS1578

Ref	Part No.	Part Description	Comments	Revision
	Dwg 35269 380-061A	Drawing Image Number HOSE BUNDLE, KUBOTA SVL *		
1.	811-091C	EL 3/4MJIC 1 1/16MORB	As Required	
2.	811-205C	AD 3/4MJIC 1 1/16MORB	As Required	
3.	851-762C	HH3/8R2 056 3/4FJIC 9/16MJI	S/N _____+	
3.	841-828C	HH1/2R2 95 3/4FJIC (1)90 TUFF	S/N _____-	
4.	851-947C	CUP 1 1/16FORB MALE QUICK CPLR		
4.	811-744C	RPBY 851-947C	Obsolete	
5.	851-948C	CUP 1 1/16FORB FML QUICK CPLR		
5.	811-745C	RPBY 851-948C	Obsolete	

Third Function Hose Kit 380-150A

Applies to SGS1566, SGS1578



37014

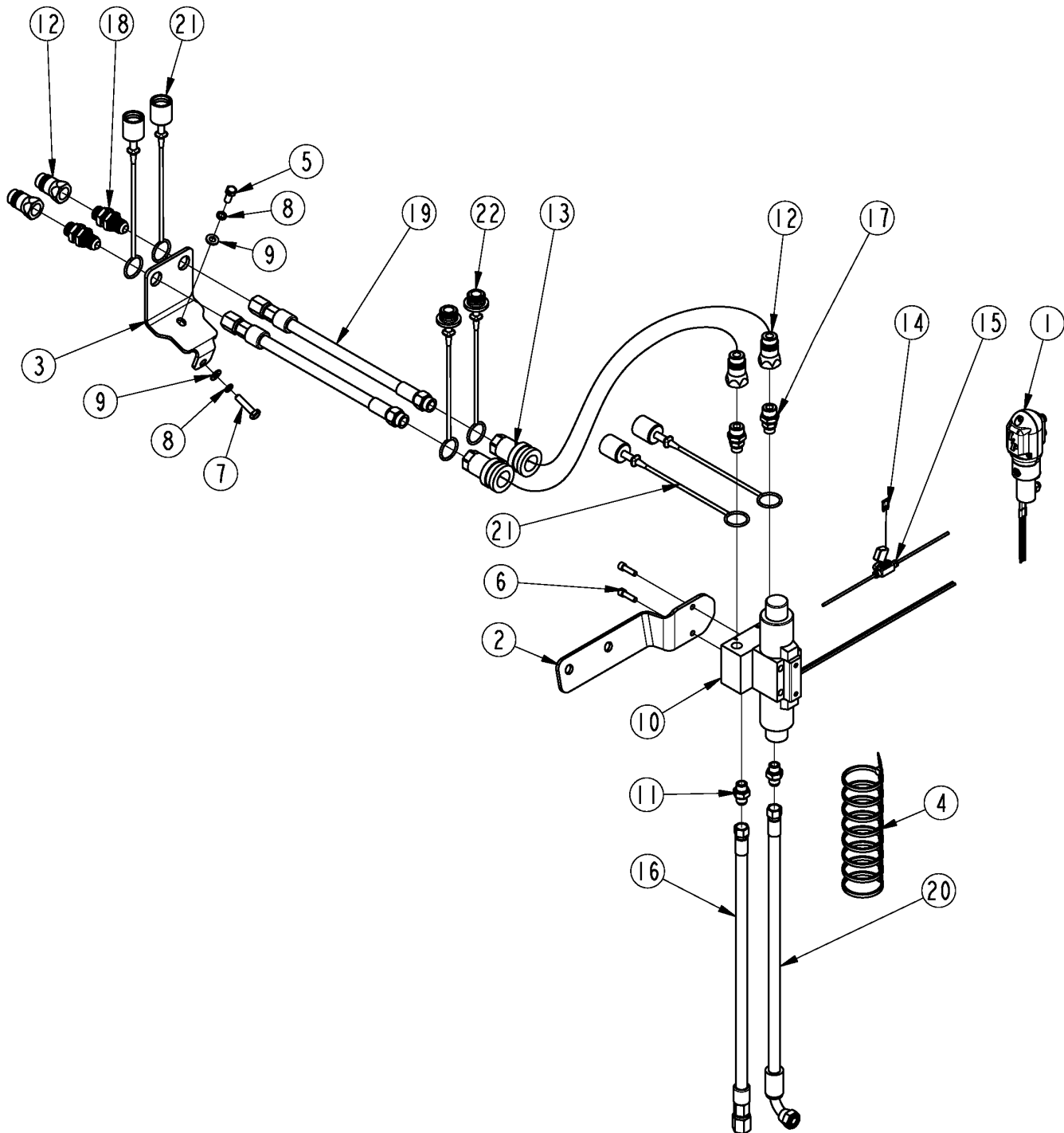
Third Function Hose Kit 380-150A

Applies to SGS1566, SGS1578

Ref	Part No.	Part Description	Comments	Revision
	Dwg 37014	Drawing Image Number		
1.	380-150A	HOSE KIT, THIRD FUNCTION		
2.	811-150C	EL 3/4FJIC 3/4MJIC		
3.	811-870C	CP 3/4FORB QD FEMALE (POPPET)		
4.	851-090C	HH3/8R2 044 3/4FJIC 3/4MORB		

Third Function Valve Kit 380-166A for Kubota MX4700, MX4800, MX5100, MX5200, MX5800, & MX6899

Applies to SGS1566, SGS1578

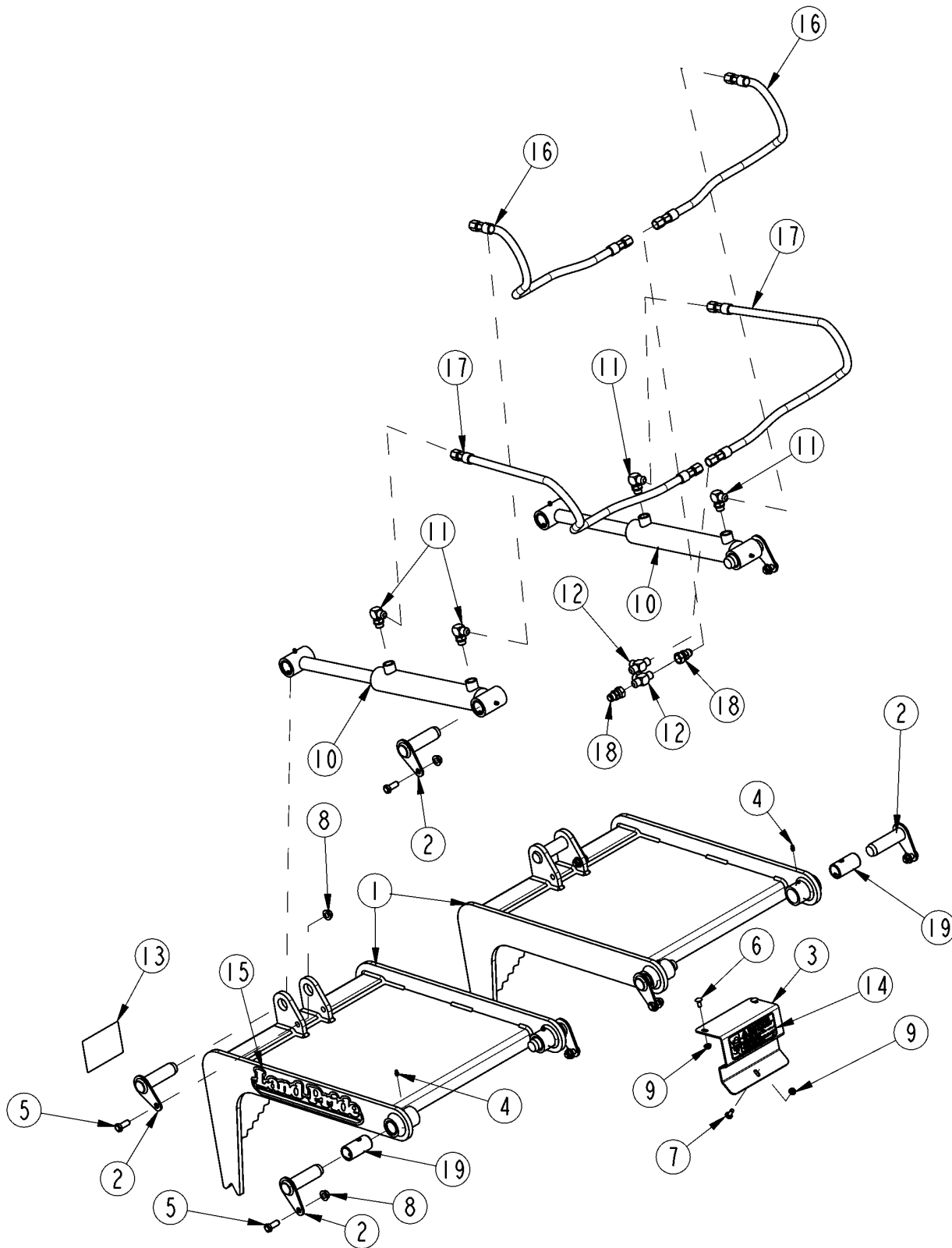


Third Function Valve Kit 380-166A for Kubota MX4700, MX4800, MX5100, MX5200, MX5800, & MX6899

Applies to SGS1566, SGS1578		Part Description	Comments	Revision
Ref	Part No.			
	Dwg 37543	Image No.		
	380-166A	VALVE KIT MX5200 3RD FNCTION *		
1.	380-165S	ASY, PUSH BUTTON CNTRL HNDL		
2.	380-254D	BRKT, VALVE MOUNT		
3.	380-255D	PLATE, BLKHD MOUNT		
4.	800-112C	CABLE TIE .19X7.25 1.75D 50LB		
5.	802-314C	HHCS M8X1.25X20 GR8.8		
6.	802-418C	HSHCS 1/4-20X7/8		
7.	802-967C	HHCS M8X1.25X35 GR8.8		
8.	804-157C	WASHER SPRING LOCK M8 PLT		
9.	804-161C	WASHER FLAT M8 PLT		
10.	810-926C	VALVE, THIRD FUNCTION		
11.	811-170C	AD 9/16MORB 9/16MJIC		
12.	811-394C	CP 3/4FORB MALE QD POPPET TYPE		
13.	811-870C	CP 3/4FORB QD FEMALE (POPPET)		
14.	833-495C	FUSE, 10 AMP MINI BLADE		
15.	833-650C	BLADE FUSE HOLDER, MINI		
16.	841-331C	HH3/8R2 035 3/4FJIC 9/16FJIC		
17.	851-084C	AD 9/16MORB 3/4MORB		
18.	851-344C	AD 3/4MJIC 3/4MORB BLKHD W/ LN		
19.	851-489C	HH3/8R2 098 3/4FJIC 3/4MORB		
20.	851-490C	HH3/8R2 035 3/4FJIC90 9/16FJIC		
21.	851-974C	DUST CAP, 1/2" QD AG		
22.	851-975C	DUST PLUG, 1/2" QD AG		

Upper Grapple Option

Applies to SGS1566, SGS1578



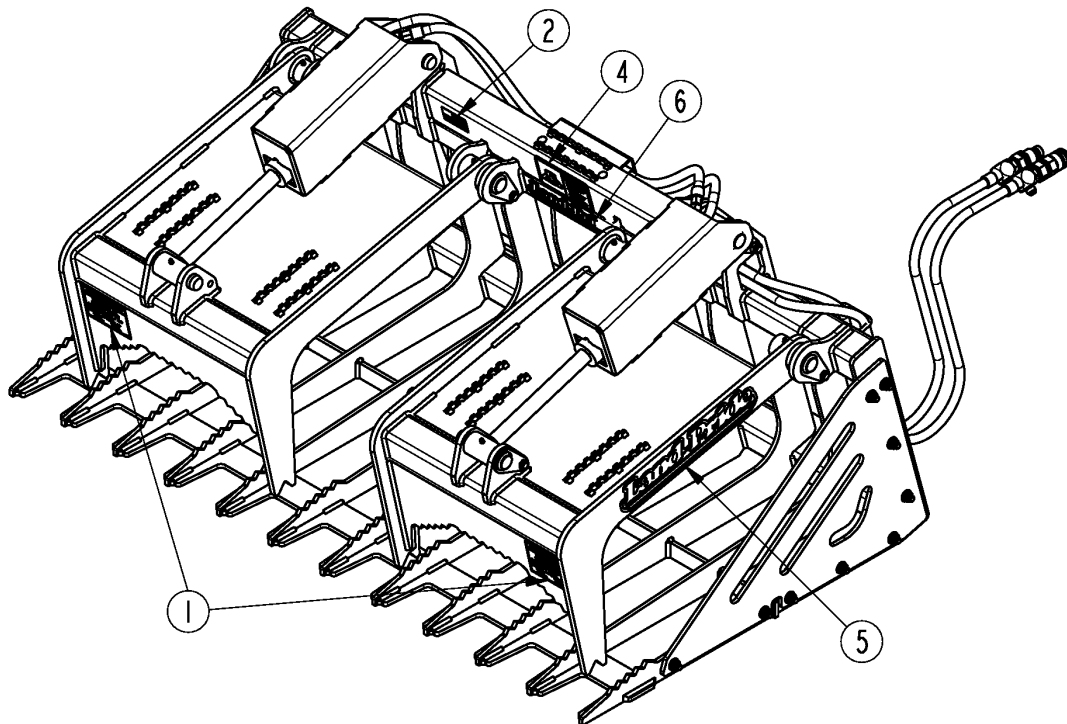
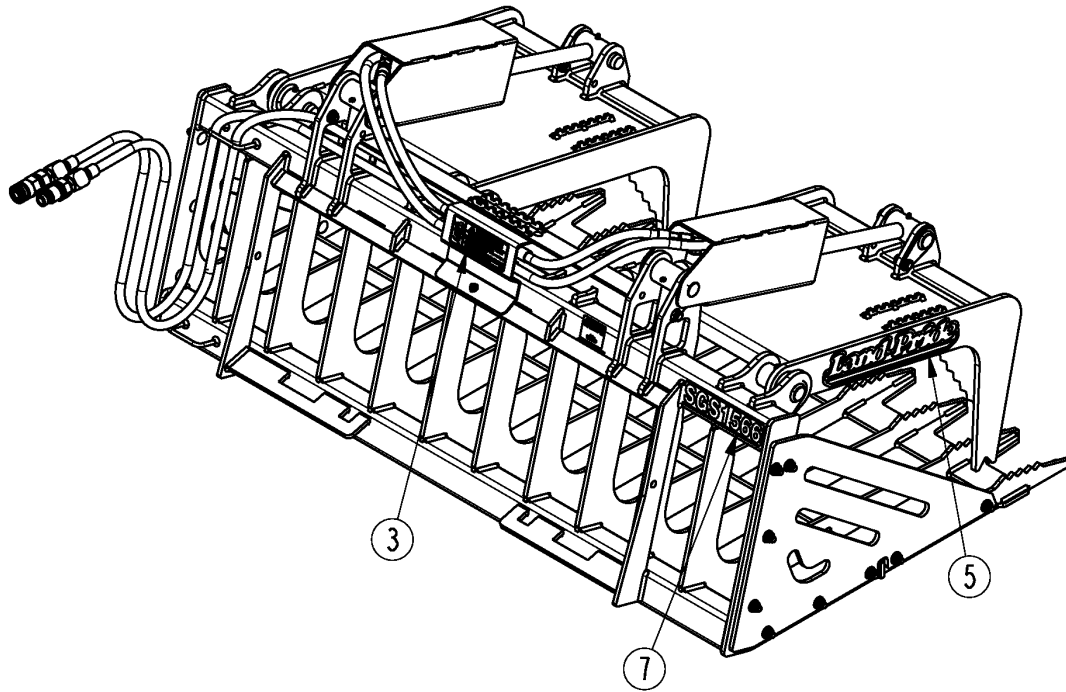
35411

Upper Grapple Option**Applies to SGS1566, SGS1578**

Ref	Part No.	Part Description	Comments	Revision
	Dwg 35411	Drawing Image Number		
1.	380-015H	WLDMT, GRAPPLE CLAW		
2.	380-018H	WLDMT, PIVOT PIN		
3.	380-045D	COVER, HYD HOSE		
4.	800-080C	GREASE ZERK 1/4-28 THD FORMING		
5.	802-034C	HHCS 1/2-13X1 1/4 GR5		
6.	802-092C	RHSNB 5/16-18X3/4 GR5		
7.	802-282C	RHSNB 5/16-18X1 GR5		
8.	803-169C	NUT HEX FLG LOCK 1/2-13 PLT		
9.	803-177C	NUT HEX FLG TP LK 5/16-18ZNYCR		
10.	810-815C	CYL 2X8X1 1/4 ROD WELDED		
11.	811-063C	EL 3/4MJIC 3/4MORB		
12.	811-078C	TE 3/4MJIC		
13.	818-045C	DECAL WARNING PINCH PT/CRUSH		
14.	838-094C	DECAL WARNING HYD PRESS LONG		
15.	838-965C	DECAL LANDPRIDE 16" BROWN/GOLD		
16.	841-826C	HH1/2R2 26.5 3/4FJIC TUFF COAT	S/N 962982-	
16.	851-691C	HH1/2R2 021 3/4FJIC TUFF COAT	S/N 962983 to _____	
17.	841-827C	HH1/2R2 038 3/4FJIC TUFF COAT	S/N 962982-	
17.	851-692C	HH1/2R2 033 3/4FJIC TUFF COAT	S/N 962983 to _____	
18.	841-910C	ORAD 3/32 3/4MJIC 3/4FJIC		
19.	890-389C	BUSHING 1.50ODX1.25IDX2.94		
		*		
		Components are still available, however this option is no longer available for units SN _____ -		

Decal Placement

Applies to SGS1566, SGS1578



35165

Decal Placement

Applies to SGS1566, SGS1578

Ref	Part No.	Part Description	Comments	Revision
	Dwg 35165	Drawing Image Number		
1.	818-045C	DECAL WARNING PINCH PT/CRUSH		
2.	818-190C	DECAL FLAG		
3.	838-094C	DECAL WARNING HYD PRESS LONG		
4.	838-293C	DECAL WARNING READ MANUAL		
5.	838-965C	DECAL LANDPRIDE 16" BROWN/GOLD		
6.	848-159C	DECAL LANDPRIDE 10" BROWN/GOLD		
7.	848-947C	DECAL, SGS1566 GOLD		
7.	848-948C	DECAL, SGS1578 GOLD		

Land Pride Touch-up Paints

Applies to SGS1566, SGS1578

No diagram associated with this Parts List

Land Pride Touch-up Paints**Applies to SGS1566, SGS1578**

Ref	Part No.	Part Description	Comments	Revision
1.	821-011C	LP BEIGE SPRAY CAN	Spray can	
1.	821-070C	GLOSS BLACK SPRAY CAN	Spray can	
1.	821-054C	MED. RED SPRAY TRCK/CTR	Spray can	
1.	821-058C	GREEN SPRAY CUTTERS	Spray can	
1.	821-066C	ORANGE SPRAY CAN	Spray can	
1.	821-067C	BLUE SPRAY CAN	Spray can	
1.	821-080C	PAINT ALUMINUM/ZINC SPRAY CAN	Spray can	
2.	821-011CTU	LP BEIGE TOUCH-UP 5OZ	Touch-up bottle with brush	
2.	821-070CTU	GLOSS BLACK TOUCH-UP 5OZ	Touch-up bottle with brush	
2.	821-054CTU	MED RED TOUCH-UP 5OZ	Touch-up bottle with brush	
2.	821-058CTU	GREEN TOUCH-UP 5OZ	Touch-up bottle with brush	
2.	821-066CTU	ORANGE TOUCH-UP 5OZ	Touch-up bottle with brush	
2.	821-067CTU	BLUE TOUCH-UP 5OZ	Touch-up bottle with brush	
2.	821-080CTU	PAINT ALUMINUM/ZINC TOUCH UP	Touch-up bottle with brush	
3.	821-011CQT	LP BEIGE QUART	Quart can	
3.	821-070CQT	GLOSS BLACK QUART	Quart can	
3.	821-054CQT	MED RED QUART	Quart can	
3.	821-058CQT	GREEN QUART	Quart can	
3.	821-066CQT	ORANGE QUART	Quart can	
3.	821-067CQT	BLUE QUART	Quart can	
3.	821-080CQT	PAINT ALUMINUM/ZINC QUART	Quart can	
4.	821-011CGL	LP BEIGE GALLON	Gallon can	
4.	821-070CGL	GLOSS BLACK GALLON	Gallon can	
4.	821-054CGL	MED RED GALLON	Gallon can	
4.	821-058CGL	GREEN GALLON	Gallon can	
4.	821-066CGL	ORANGE GALLON	Gallon can	
4.	821-067CGL	BLUE GALLON	Gallon can	
4.	821-080CGL	PAINT ALUMINUM/ZINC GALLON	Gallon can	



Part Number Index

The Part Number Index is a numeric index of all part numbers included in this manual. The index shows what page(s) the part is used on.

<u>Part Number</u>	<u>Page</u>	<u>Part Number</u>	<u>Page</u>
00082477	13	821-066CTU	27
0A009944-03	13	821-067C	27
14676A	13	821-067CGL	27
16948B	13	821-067CQT	27
16951B	13	821-067CTU	27
380-014H	7	821-070C	27
380-015H	7, 23	821-070CGL	27
380-018H	7, 23	821-070CQT	27
380-019H	15	821-070CTU	27
380-020H	7, 11, 15	821-080C	27
380-021H	7	821-080CGL	27
380-023A	15	821-080CQT	27
380-045D	11, 23	821-080CTU	27
380-057A	9	833-495C	21
380-061A	17	833-650C	21
380-109D	9	838-094C	23, 25
380-150A	19	838-293C	25
380-165S	21	838-965C	23, 25
380-166A	21	841-284C	11
380-254D	21	841-331C	21
380-255D	21	841-826C	23
405-031D	15	841-827C	23
44058C	13	841-828C	17
44059C	13	841-910C	23
44430X	13	848-159C	25
800-080C	7, 13, 23	848-947C	25
800-112C	21	848-948C	25
802-034C	7, 11, 23	851-084C	21
802-091C	15	851-090C	19
802-092C	11, 23	851-344C	21
802-106C	9	851-489C	21
802-224C	11	851-490C	21
802-282C	11, 23	851-691C	23
802-314C	21	851-692C	23
802-418C	21	851-756C	11
802-967C	21	851-757C	11
803-169C	7, 9, 11, 15, 23	851-762C	17
803-177C	11, 23	851-947C	17
804-157C	21	851-948C	17
804-161C	21	851-974C	21
810-815C	11, 13, 23	851-975C	21
810-926C	21	861-148C	11
811-063C	23	861-149C	11
811-078C	23	890-389C	7, 23
811-091C	17	891-177C	13
811-150C	19	891-798C	11
811-170C	21	891-800C	11
811-171C	11	Dwg 35164	7
811-205C	17	Dwg 35165	25
811-394C	21	Dwg 35173	13
811-744C	17	Dwg 35267	9
811-745C	17	Dwg 35269	17
811-870C	19, 21	Dwg 35411	23
818-045C	23, 25	Dwg 37014	19
818-190C	25	Dwg 37543	21
821-011C	27	Dwg 70877	11
821-011CGL	27	dwg35160	15
821-011CQT	27	N/A	13
821-011CTU	27		
821-054C	27		
821-054CGL	27		
821-054CQT	27		
821-054CTU	27		
821-058C	27		
821-058CGL	27		
821-058CQT	27		
821-058CTU	27		
821-066C	27		
821-066CGL	27		
821-066CQT	27		

This Page Intentionally Left Blank



Great Plains Manufacturing, Inc.

Corporate Office: P.O. Box 5060
Salina, Kansas 67402-5060 USA

www.landpride.com
