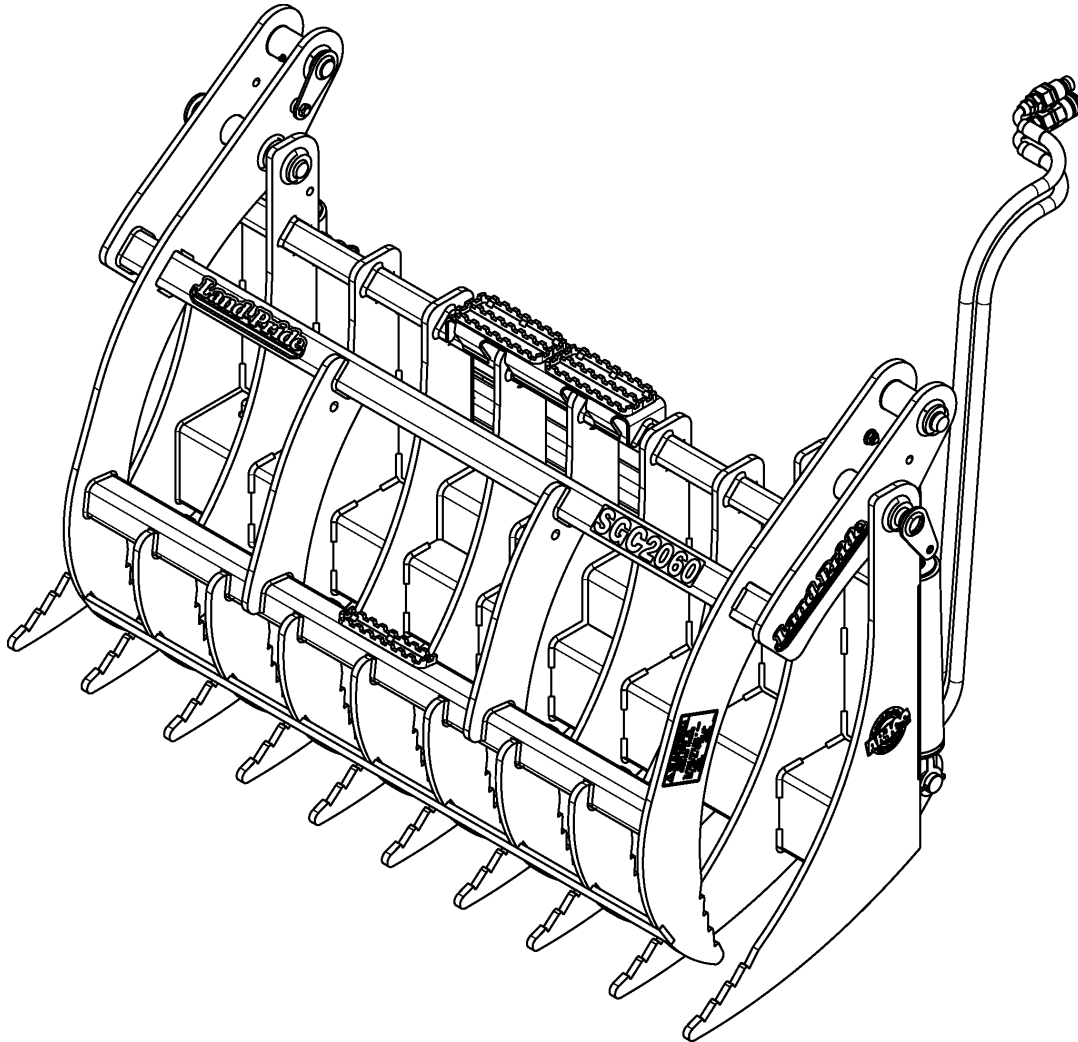


Grapples

SGC2060, SGC2072 & SGC2084



35209

380-052P Parts Manual



Read the Operator's Manual entirely. When you see this symbol, the subsequent instructions and warnings are serious - follow without exception. Your life and the lives of others depend on it!

© Copyright 2017 Printed 08/15/17

Cover photo may show optional equipment not supplied with standard unit.





Table of Contents

Section 1: Introduction.....	4
Using This Manual.....	4
Manual Replacement Information.....	4
Manual Revisions.....	4
Touch-up Paint.....	4
Hardware Legend.....	5
Replacement Hardware.....	5
Serial Numbers.....	5
Part Number Service Coding.....	5
Section 2: Main Assembly.....	6
Grapple & Claw Frame.....	6
Hydraulic Components.....	8
Hydraulic Cylinder (810-783C) Cross.....	10
Hydraulic Cylinder (810-783C) Monarch.....	12
Section 3: Labels.....	14
Label Placement.....	14
Land Pride Touch-up Paints.....	16
Section 4: Options & Accessories.....	18
SGC Hose Bundle Kubota SVL.....	18
Third Function Hose Kit 380-150A.....	20
Third Function Valve Kit 380-166A for Kubota MX4700.....	22
MX4800.....	22
MX5100.....	22
MX5200.....	22
MX5800.....	22
& MX6899.....	22
Part Number Index.....	24

© Copyright 2017. All rights reserved.

Land Pride provides this publication “as is” without warranty of any kind, either expressed or implied. While every precaution has been taken in the preparation of this manual, Land Pride assumes no responsibility for errors or omissions. Neither is any liability assumed for damages resulting from the use of the information contained herein. Land Pride reserves the right to revise and improve its products as it sees fit. This publication describes the state of this product at the time of its publication, and may not reflect the product in the future. The illustrations in this manual are not intended for safe and proper assembly or disassembly of equipment. The illustrations are intended for ordering parts only.

Land Pride is registered trademark.

All other brands and product names are trademarks or registered trademarks of their respective holders.

Printed in the United States of America.



Alphabetized Table of Contents

G	
	Grapple & Claw Frame.....6
H	
	Hydraulic Components.....8
	Hydraulic Cylinder (810-783C) Cross.....10
	Hydraulic Cylinder (810-783C) Monarch.....12
L	
	Label Placement.....14
	Land Pride Touch-up Paints.....16
S	
	SGC Hose Bundle Kubota SVL.....18
T	
	Third Function Hose Kit 380-150A.....20
	Third Function Valve Kit 380-166A for Kubota MX4700, MX4800, MX5100, MX5200, MX5800, & MX6899.....22

General Information

Using This Manual

This manual is divided into sections. The first section contains General Information. The remaining sections divide the machine into segments (i.e. Frames, Drives, Hydraulics, etc.) which illustrate and list all parts. A Parts Number Index is located at the back of the book.

The Land Pride parts in this manual are specially designed for this machine and should be replaced with Land Pride parts only.

The information in this manual is current at time of printing. Some parts may change to assure top performance.

Right-hand and left-hand as used in this manual are determined by facing the direction the machine will travel while in use.

Below is an example of two facing pages from a parts manual. Familiarize yourself with the type of information contained on these pages.

Manual Replacement Information

Replacement manuals are available. Refer to our website at www.landpride.com or e-mail us at lit@landpride.com for additional information. Our website continues to provide the most up-to-date manuals available.

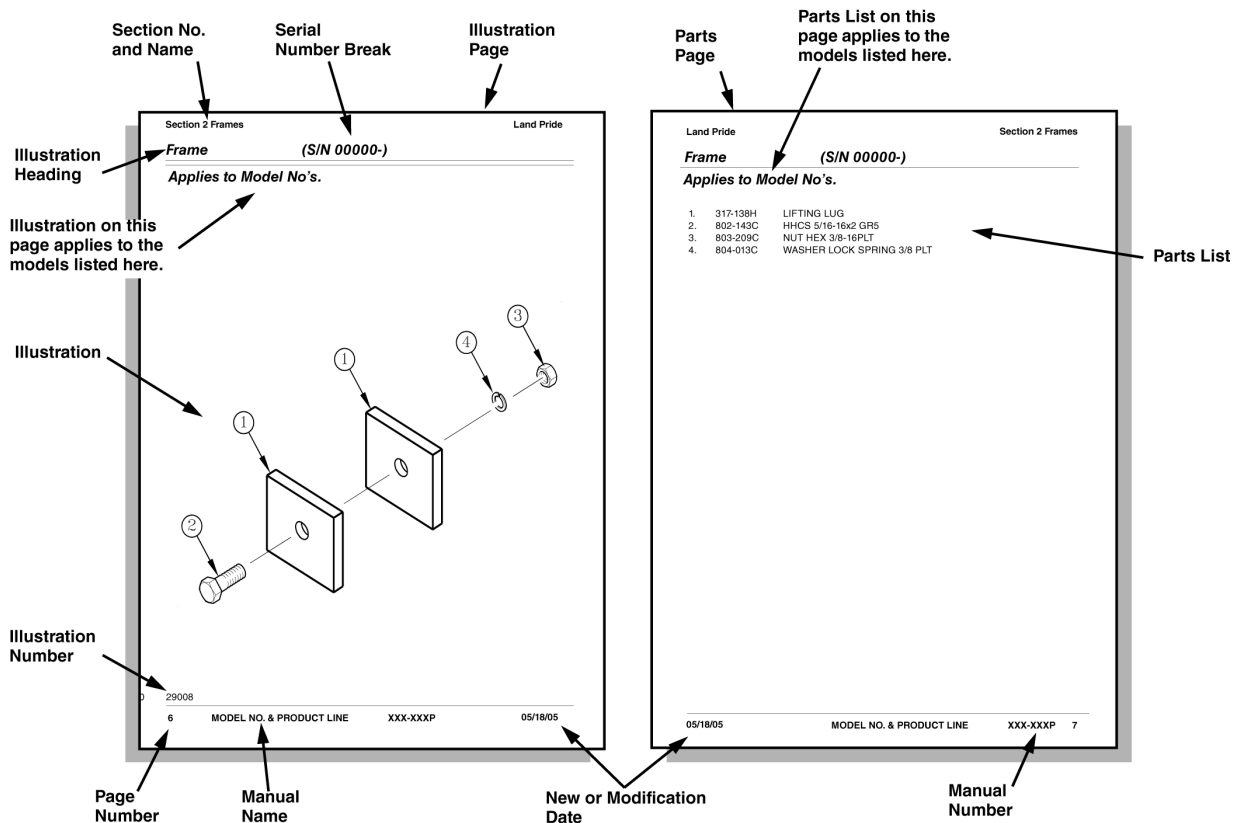
Touch-up Paint

Repaint parts where paint is worn or scratched to prevent rust. Aerosol cans and touch-up bottles with brush applicator are available through your local dealer. Land Pride color descriptions and part numbers are listed below. Also available are quart and gallon size paints. Add QT or GL to end of the Aerosol P/N.

Color	Product*	Aerosol	Touch-Up
Gloss Black	LP	821-070C	821-070CTU
Beige	LP	821-011C	821-011CTU
Green	SLP	821-058C	821-058CTU
Orange	SLP	821-066C	821-066CTU
Red	SLP	821-054C	821-054CTU
Blue	SLP	821-067C	821-067CTU

Notes:

- * LP = All Land Pride Products
- SLP = Select Land Pride Products that are available in optional Green, Orange and Red.



General Information

Hardware Legend

AR	As Required
BLADE	Blade Bolt
C	Cap Screw
CP	Cotter Pin
CPHSSS	Cup Point Hex Socket Set Screw
CPSHSS	Cup Point Square Head Set Screw
CPSQHSS	Cup Point Square Head Set Screw
CRFCHMS3	Cross Recess Flat Countersunk Head Machine Screw
CRPHMS	Cross Recess Pan Head Machine Screw
CRPHTF	Cross Recess Pan Head Thread Forming
CRRHMS	Cross Recess Round Head Machine Screw
CRTHMS	Cross Recess Truss Head Machine Screw
CSNB	Countersunk Square Neck Bolt
FHMS	Flat Head Machine Screw
FTC	Full Thread Cap Screw
H	Hex Nut
HCLN	Hex Center Lock Nut
HFLCS	Hex Flange Lock Cap Screw
HFS	Hex Flange Screw
HFSLN	Hex Flange Serrated Lock Nut
HFSS	Hex Flange Serrated Screw
HHCS	Hex Head Cap Screw or Metric Bolt
HSBHCS	Hex Socket Button Head Cap Screw
HSFCHCS	Hex Socket Flat Countersunk Head Cap Screw
HSHCS	Hex Socket Head Cap Screw
HSSS	Hex Socket Head Screw
HTLN	Hex Top Lock Nut
HWHCS	Hex Washer Head Cap Screw

HWHMS	Hex Washer Head Machine Screw
HXBHCS	Hex Socket Button Head Cap Screw
J	Hex Jam Nut
JIC	37 Degree Tapered Thread
L	Helical Spring Lock Washer
LUG	Lug Bolt
NFC	National Fine Cap Screw
NPSM	National Pipe Straight Mechanical
NPTF	National Pipe Taper Fuel
P	Wide Plain Washer
PHMS	Pan Head Machine Screw
PLOW	Plow Bolt
RHMS	Round Head Machine Screw
RHSNB	Round Head Square Neck Bolt
SCREW LEVELING	Leveling Screw
SCREW THUMB	Thumb Screw
SCREW WELD	Weld Screw
SFCHMS	Slotted Flat Countersunk Head Machine Screw
SFHMS	Slotted Fillister Head Machine Screw
SP	Special
SP SCREW	Special Screw
SQHSS	Square Head Set Screw
SRHMS	Slotted Round Head Machine Screw
SSS	Socket Set Screw
STCS	Self Tapping Cap Screw
STHMS	Slotted Truss Head Machine Screw
WHEEL	Wheel Studs and Hub Long Bolts
WING	Wing Bolt

Replacement Hardware

The **Hardware Legend** above lists hardware abbreviations used in the parts list. All bolts and nuts are Grade 5 unless otherwise noted. The use of improper grades of hardware can result in personal injury, damage to equipment, or loss of property.

Colored Replacement Parts

Land Pride offers replacement parts in factory standard colors and also on select models in Green, Orange, Red and Blue. Because of the variety of colors available, special attention must be given to the part number to prevent ordering the wrong replacement part.

A suffix number corresponding to one of the colors below must be added at the end of Land Pride's part number when ordering a replacement part with that color.

81 Green 83 Red
82 Orange 84 Blue

For example, if you are ordering a replacement part with part number 555-555C and the part you need is red, then add the suffix 83 to the end of the number to make the part number read 555-555C83. Parts ordered without a suffix number will be supplied in factory standard colors.

Black Replacement Parts

Some parts are factory standard black and some must be special ordered black. If your part is special ordered black, a second part number with the additional suffix number 85 on the end will be available. In this situation you must order that part with the suffix number for it to be black. Parts that are factory standard black will not have the suffix number.

Part Number Service Coding

Within the parts list some part numbers are coded for revisions and interchangeability. See notations in revision column.

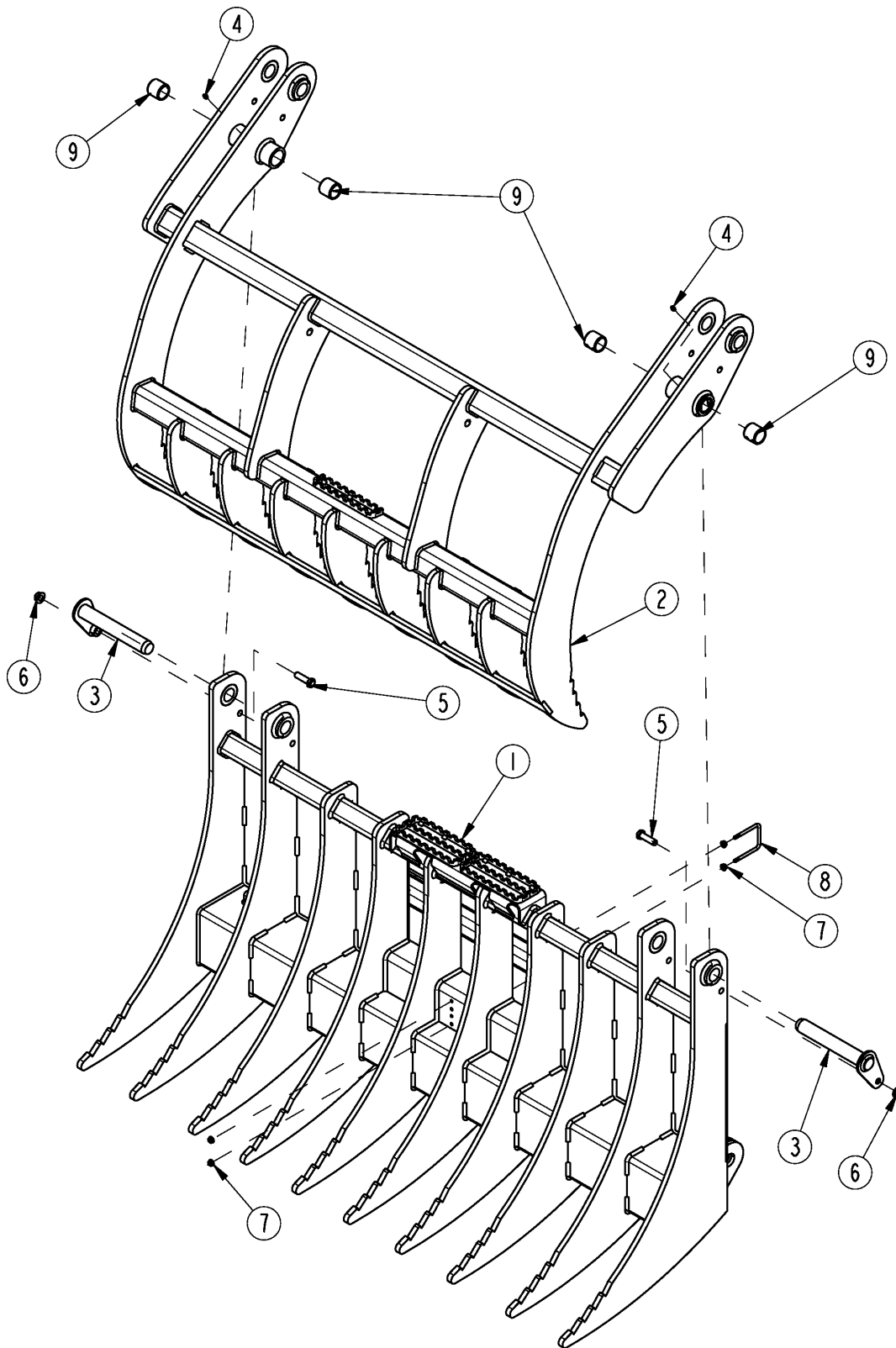
Serial Numbers

Always use the serial and model number when ordering parts. Refer to the Operator's Manual for serial number plate location.

- (S/N 20001+) Includes serial numbers 20001 and above (to the latest number)
- (S/N 10001 to 20000) Includes serial numbers between and including 10001 and 20000
- (S/N 10000-) Includes serial numbers 10000 and below (to the earliest number)

Grapple & Claw Frame

Applies to SGC2060, SGC2072, SGC2084



35210

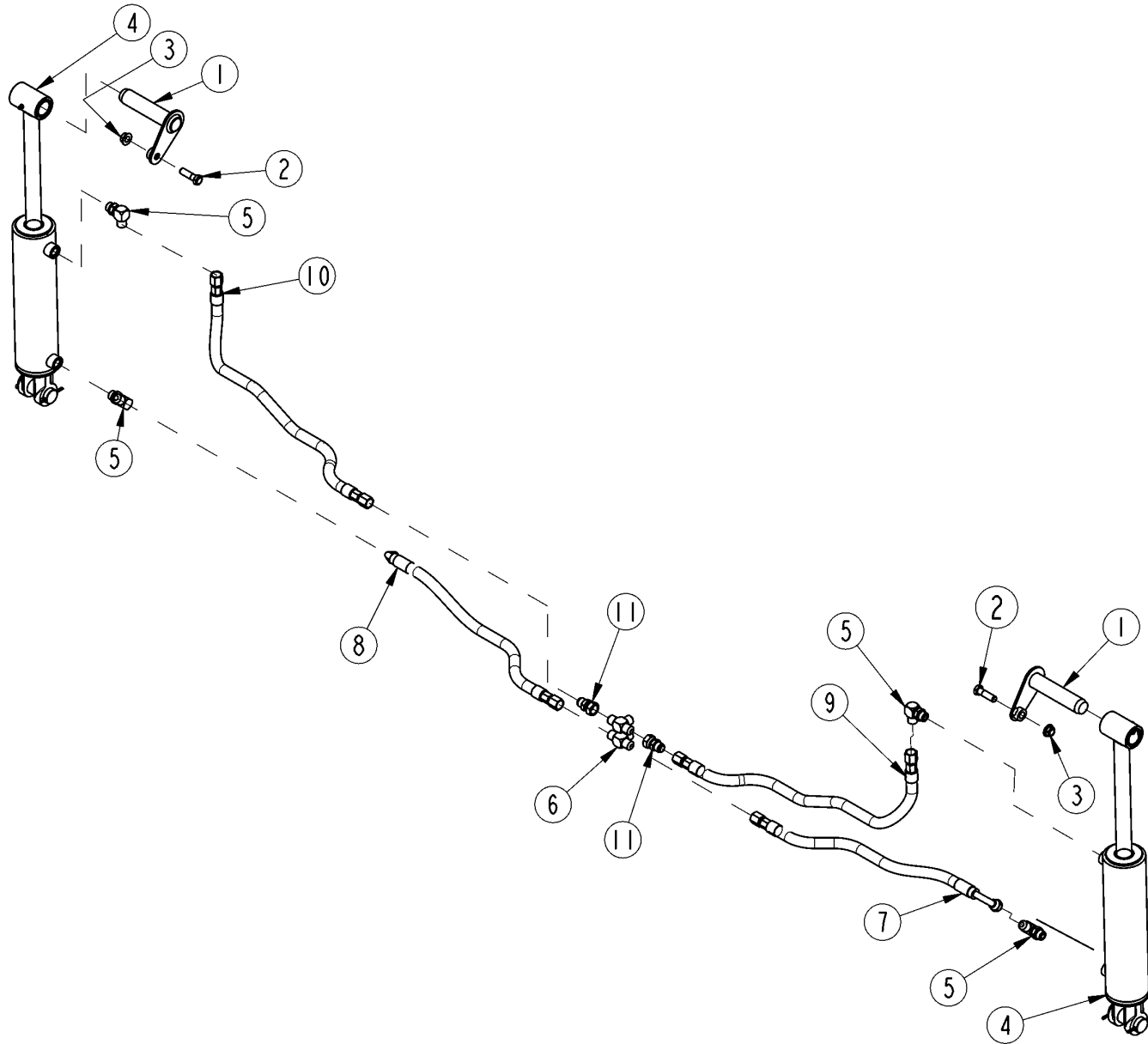
Grapple & Claw Frame

Applies to SGC2060, SGC2072, SGC2084

Ref	Part No.	Part Description	Comments	Revision
	dwg35210	Drawing Image Number		
1.	380-001H	GRAPPLE FRAME, 60		
1.	380-008H	GRAPPLE FRAME, 72		
1.	380-011H	GRAPPLE FRAME, 84		
2.	380-002H	GRAPPLE JAW, 60		
2.	380-009H	GRAPPLE JAW, 72		
2.	380-012H	GRAPPLE JAW, 84		
3.	380-004H	PIVOT PIN		
4.	800-080C	GREASE ZERK 1/4-28 THD FORMING		
5.	802-082C	HHCS 1/2-13X1 3/4 GR5		
6.	803-169C	NUT HEX FLG LOCK 1/2-13 PLT		
7.	803-194C	NUT HEX WHIZ 1/4-20 PLT		
8.	806-147C	U-BOLT 1/4-20 X 2 9/32 X 3 GR2		
9.	891-177C	BHG 1.50ODX1.25X1.38		

Hydraulic Components

Applies to SGC2060, SGC2072, SGC2084



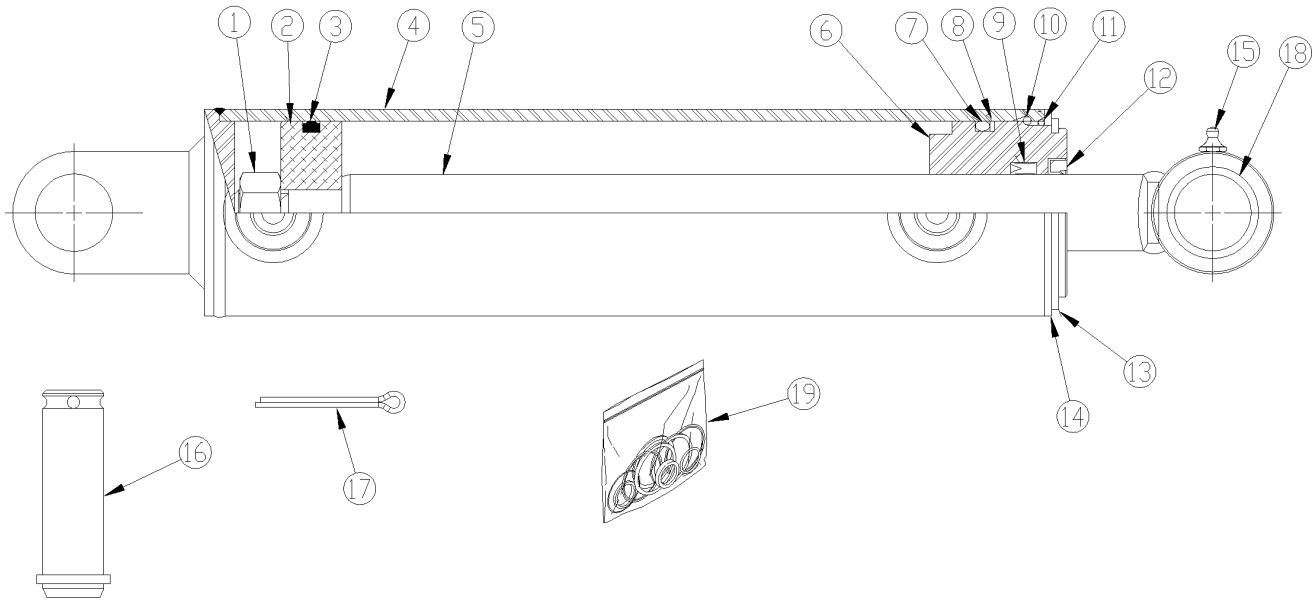
35211

Hydraulic Components**Applies to SGC2060, SGC2072, SGC2084**

Ref	Part No.	Part Description	Comments	Revision
	Dwg 35211	Drawing Image Number		
1.	380-005H	PIVOT PIN		
2.	802-082C	HHCS 1/2-13X1 3/4 GR5		
3.	803-169C	NUT HEX FLG LOCK 1/2-13 PLT		
4.	810-783C	CYL 3X10X1 1/4 (WLD) W/BSHGS		
5.	811-063C	EL 3/4MJIC 3/4MORB		
6.	811-078C	TE 3/4MJIC		
7.	841-680C	HH1/2R2 024 3/4FJIC(1 90) TC	SGC15/2060	
7.	841-682C	HH1/2R2 030 3/4FJIC(1 90) TC	SGC15/2072	
7.	841-693C	HH1/2R2 036 3/4FJIC(1 90) TC	SGC15/2084	
8.	841-680C	HH1/2R2 024 3/4FJIC(1 90) TC	SGC15/2060	
8.	841-682C	HH1/2R2 030 3/4FJIC(1 90) TC	SGC15/2072	
8.	841-693C	HH1/2R2 036 3/4FJIC(1 90) TC	SGC15/2084	
9.	841-681C	HH1/2R2 030 3/4FJIC TC	SGC15/2060	
9.	841-692C	HH1/2R2 036 3/4FJIC TC	SGC15/2072	
9.	841-694C	HH1/2R2 042 3/4FJIC TC	SGC15/2084	
10.	841-681C	HH1/2R2 030 3/4FJIC TC	SGC15/2060	
10.	841-692C	HH1/2R2 036 3/4FJIC TC	SGC15/2072	
10.	841-694C	HH1/2R2 042 3/4FJIC TC	SGC15/2084	
11.	841-873C	ORAD 1/8 3/4MJIC 3/4 FJIC		

Hydraulic Cylinder (810-783C) Cross

Applies to SGC2060, SGC2072, SGC2084



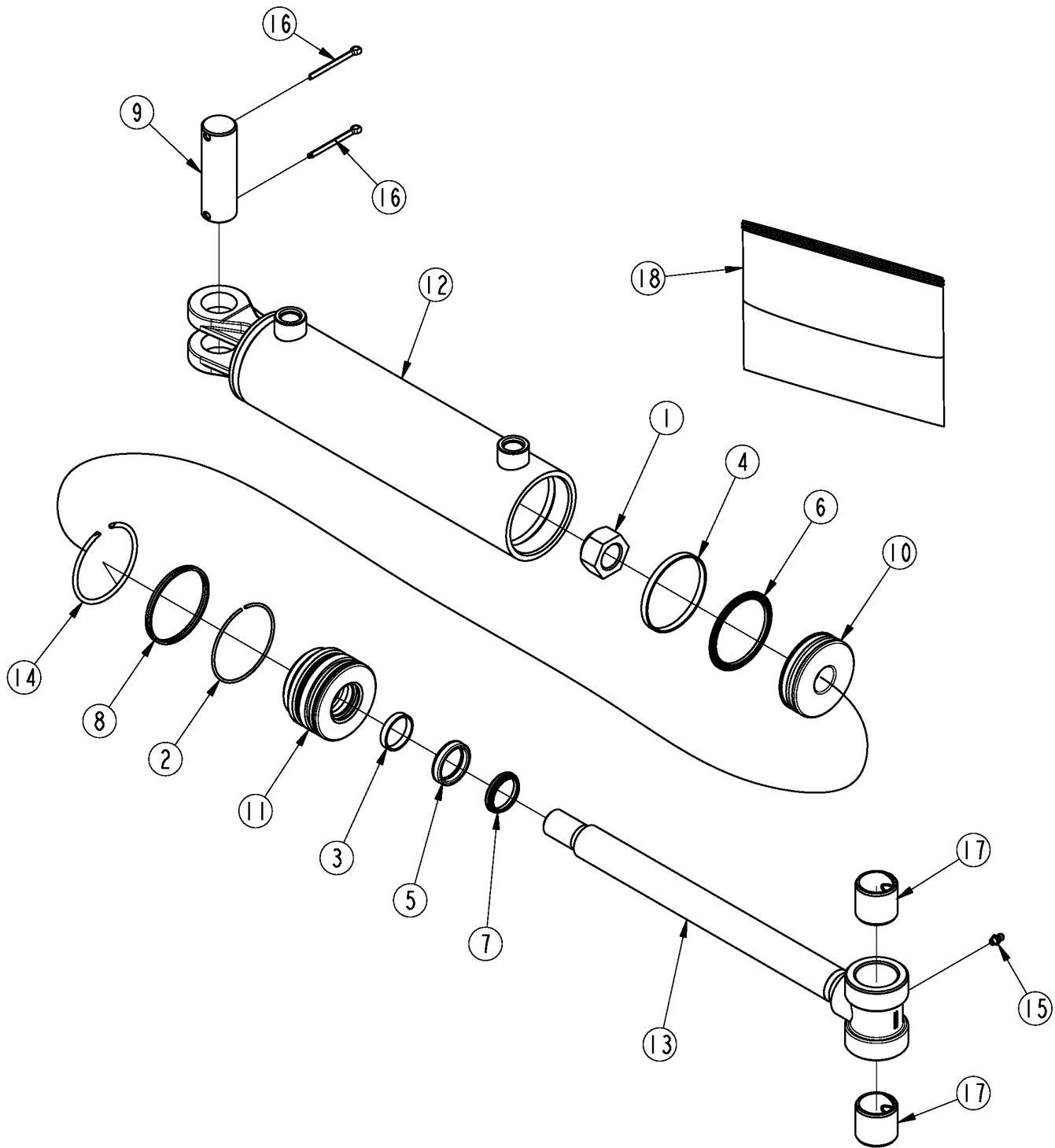
35213

Hydraulic Cylinder (810-783C) Cross**Applies to SGC2060, SGC2072, SGC2084**

Ref	Part No.	Part Description	Comments	Revision
	Dwg 35213	Drawing Image Number		
	810-783C	CYL 3X10X1 1/4 (WLD) W/BSHGS		
1.	2A0246-12	CROSS NUT, PISTON		
2.	4C4360	CROSS PISTON		
3.	N/A	CROSS CROWN SEAL	In Seal Kit #19	
4.	4C6421	CROSS TUBE ASSY		
5.	N/A	CROSS ROD ASSY		
6.	4C5519	CROSS HEAD		
7.	N/A	CROSS, O-RING	In Seal Kit #19	
8.	N/A	CROSS, BACK-UP	In Seal Kit #19	
9.	N/A	CROSS U-CUP	In Seal Kit #19	
10.	2A0462-300	CROSS RETAINING RING		
11.	N/A	CROSS O-RING	In Seal Kit #19	
12.	N/A	WIPER SEAL CROSS	In Seal Kit #19	
13.	1A1757	CROSS RETAINING RING		
14.	4C5180	CROSS SPACER		
15.	2A0172-20	CROSS LUBE FITTING		
16.	1D1551-20275	CROSS CLEVIS PIN		
17.	805-058C	PIN COTTER 3/16 X 2		
18.	891-177C	BHG 1.50ODX1.25X1.38		
19.	4C5844	CROSS SEAL KIT (810-783C)		

Hydraulic Cylinder (810-783C) Monarch

Applies to SGC2060, SGC2072, SGC2084



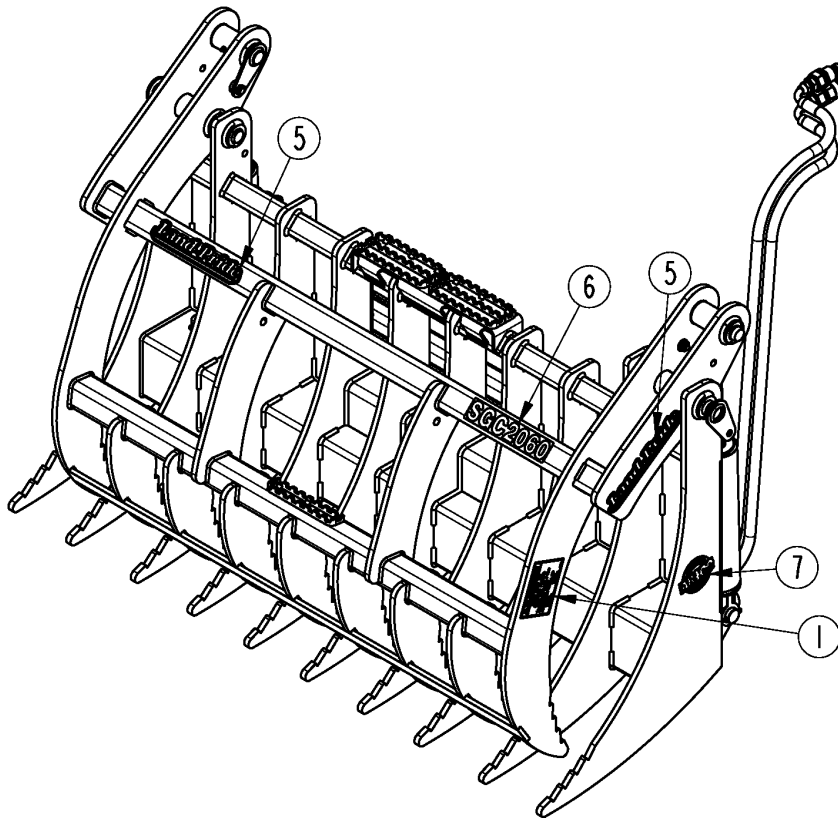
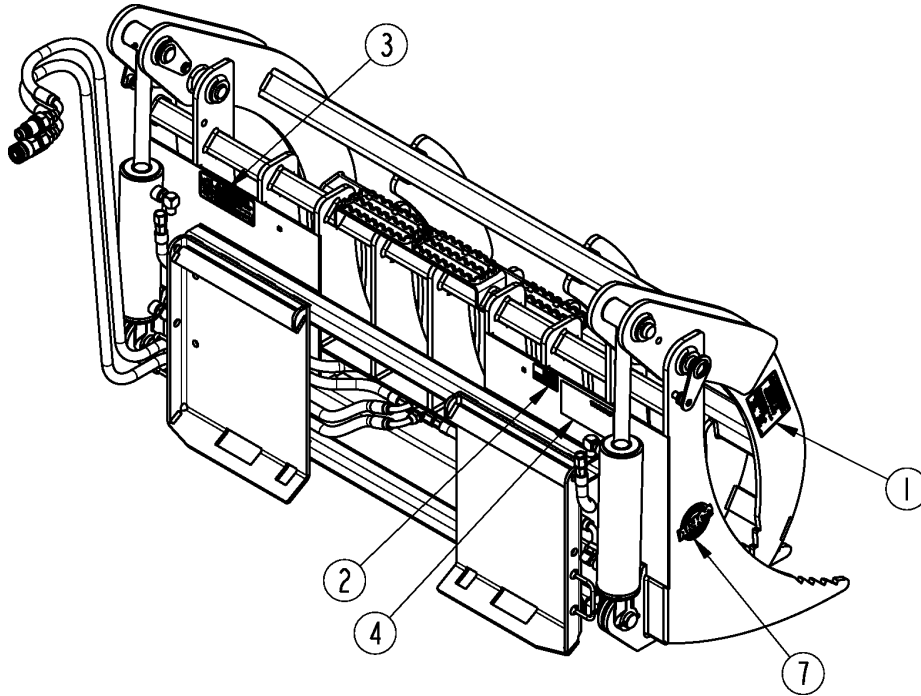
70168

Hydraulic Cylinder (810-783C) Monarch**Applies to SGC2060, SGC2072, SGC2084**

Ref	Part No.	Part Description	Comments	Revision
	Dwg 70168 810-783C	Image No. CYL 3X10X1 1/4 (WLD) W/BSHGS *		
1.	130560	MON PISTON NUT		
2.	138106	MON RETAINING RING EXT 3.00		
3.	190131	MON WEAR RING 1.37-1.25-0.250		
4.	190186	MON WEAR RING 3.00-2.88-0.250		
5.	194016	MON SEAL ZURCON U-CUP RU9 1.25		
6.	197082	MON SEAL ZRCON GLYD RNG P 3.00		
7.	197175	MON SEAL WIPER 1.25 SNAP IN DA		
8.	199209	MON SEAL DUAL 3.00 Z20 PU		
9.	257835	MON PIN 1.25 X 3.87		
10.	258821	MON PISTON 3.00-1.0-TSS-ISO-WR		
11.	258879	MON CYL HEAD 3.00-1.25-RR-TSS		
12.	755604	MON TUBE WMT 3.00-10.00-RR-W		
13.	755605	MON ROD WMT 1.25-10.00-1.00-W		
14.	138028	MON RETAINING RING INT 3.00		
15.	800-001C	GREASE ZERK STRAIGHT 1/4-28		
16.	805-058C	PIN COTTER 3/16 X 2		
17.	891-177C	BHG 1.50ODX1.25X1.38		
18.	850-261C	MON SEAL KIT 658310		

Label Placement

Applies to SGC2060, SGC2072, SGC2084



35212

Label Placement

Applies to SGC2060, SGC2072, SGC2084

Ref	Part No.	Part Description	Comments	Revision
	dwg35212	Drawing Image Number		
1.	818-045C	DECAL WARNING PINCH PT/CRUSH		
2.	818-190C	DECAL FLAG		
3.	838-094C	DECAL WARNING HYD PRESS LONG		
4.	838-293C	DECAL WARNING READ MANUAL		
5.	848-159C	DECAL LANDPRIDE 10" BROWN/GOLD		
6.	858-054C	DECAL, SGC2060 GOLD		
6.	858-055C	DECAL, SGC2072 GOLD		
6.	858-056C	DECAL, SGC2084 GOLD		
7.	858-108C	DECAL, AR400 STEEL		

Land Pride Touch-up Paints

Applies to SGC2060, SGC2072, SGC2084

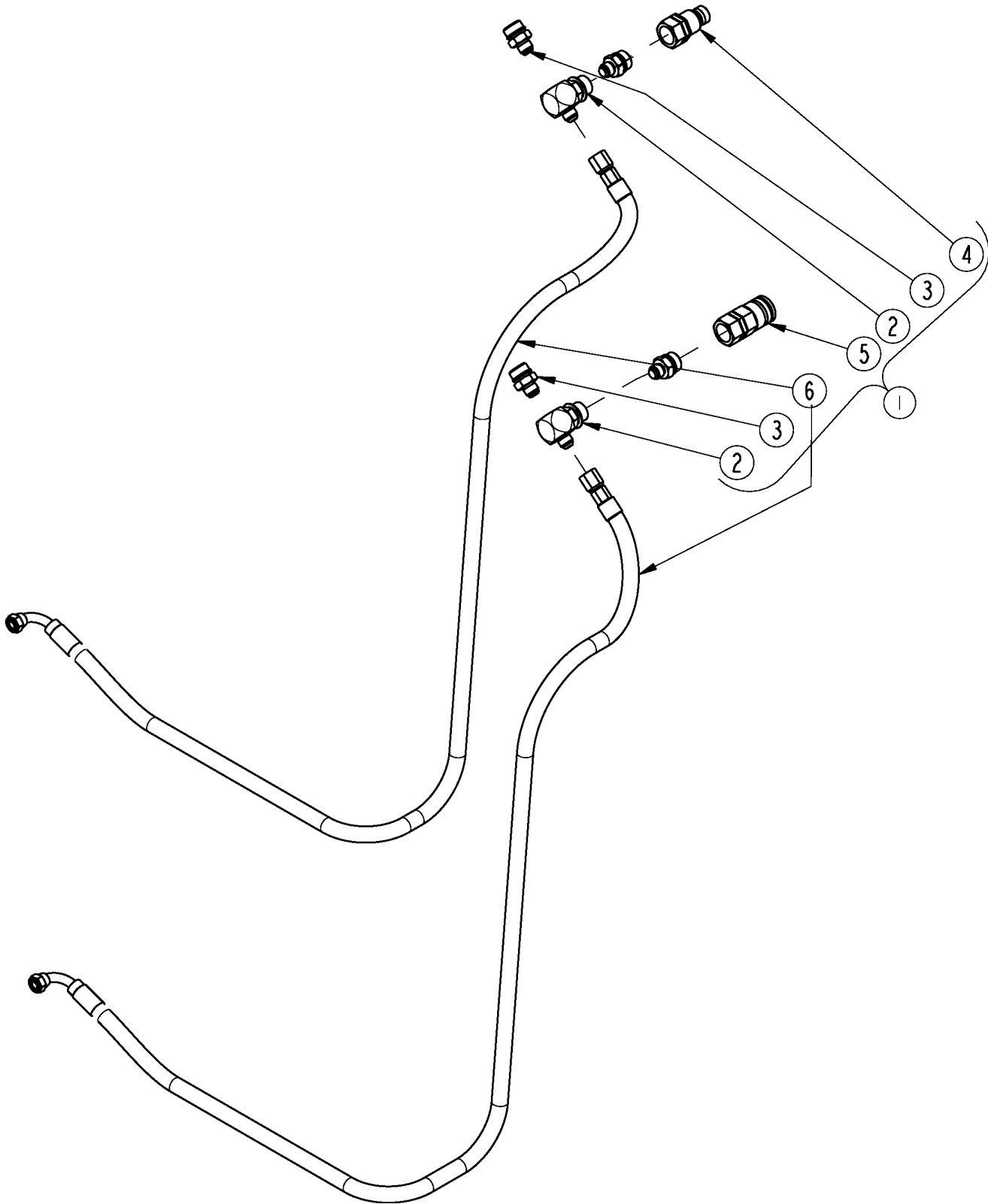
No diagram associated with this Parts List

Land Pride Touch-up Paints**Applies to SGC2060, SGC2072, SGC2084**

Ref	Part No.	Part Description	Comments	Revision
1.	821-011C	LP BEIGE SPRAY CAN	Spray can	
1.	821-070C	GLOSS BLACK SPRAY CAN	Spray can	
1.	821-054C	MED. RED SPRAY TRCK/CTR	Spray can	
1.	821-058C	GREEN SPRAY CUTTERS	Spray can	
1.	821-066C	ORANGE SPRAY CAN	Spray can	
1.	821-067C	BLUE SPRAY CAN	Spray can	
2.	821-011CTU	LP BEIGE TOUCH-UP 5OZ	Touch-up bottle with brush	
2.	821-070CTU	GLOSS BLACK TOUCH-UP 5OZ	Touch-up bottle with brush	
2.	821-054CTU	MED RED TOUCH-UP 5OZ	Touch-up bottle with brush	
2.	821-058CTU	GREEN TOUCH-UP 5OZ	Touch-up bottle with brush	
2.	821-066CTU	ORANGE TOUCH-UP 5OZ	Touch-up bottle with brush	
2.	821-067CTU	BLUE TOUCH-UP 5OZ	Touch-up bottle with brush	
3.	821-011CQT	LP BEIGE QUART	Quart can	
3.	821-070CQT	GLOSS BLACK QUART	Quart can	
3.	821-054CQT	MED RED QUART	Quart can	
3.	821-058CQT	GREEN QUART	Quart can	
3.	821-066CQT	ORANGE QUART	Quart can	
3.	821-067CQT	BLUE QUART	Quart can	
4.	821-011CGL	LP BEIGE GALLON	Gallon can	
4.	821-070CGL	GLOSS BLACK GALLON	Gallon can	
4.	821-054CGL	MED RED GALLON	Gallon can	
4.	821-058CGL	GREEN GALLON	Gallon can	
4.	821-066CGL	ORANGE GALLON	Gallon can	
4.	821-067CGL	BLUE GALLON	Gallon can	

SGC Hose Bundle Kubota SVL

Applies to SGC2060, SGC2072, SGC2084



35298

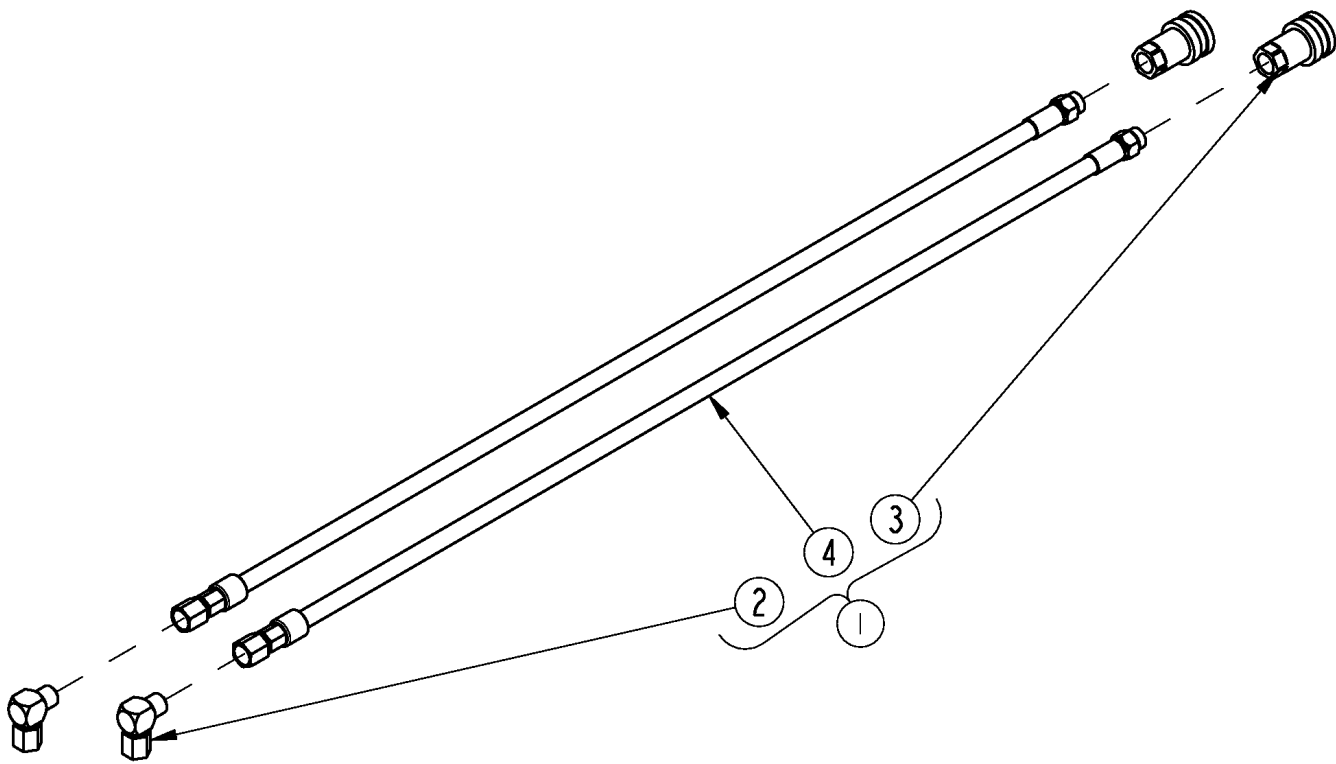
SGC Hose Bundle Kubota SVL

Applies to SGC2060, SGC2072, SGC2084

Ref	Part No.	Part Description	Comments	Revision
	Dwg 35298	Drawing Image Number		
1.	380-063A	HOSE BUNDLE, KUBOTA SVL		
2.	811-091C	EL 3/4MJIC 1 1/16MORB		
3.	811-205C	AD 3/4MJIC 1 1/16MORB		
4.	851-947C	CUP 1 1/16FORB MALE QUICK CPLR		
4.	811-744C	RPBY 851-947C	Obsolete	
5.	851-948C	CUP 1 1/16FORB FML QUICK CPLR		
5.	811-745C	RPBY 851-948C	Obsolete	
6.	841-695C	HH1/2R2 076 3/4FJIC90 TC		

Third Function Hose Kit 380-150A

Applies to SGC2060, SGC2072, SGC2084



37014

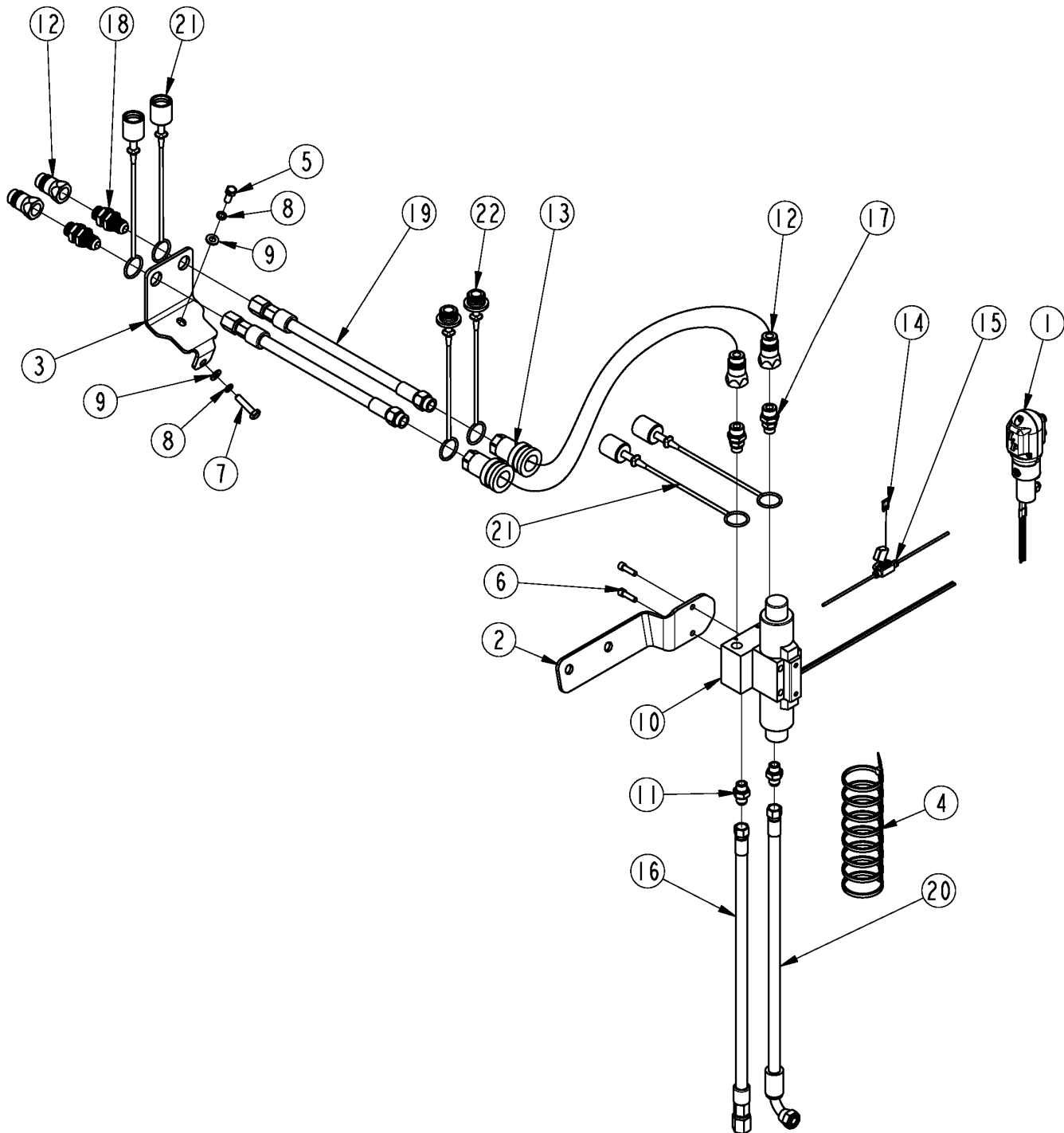
Third Function Hose Kit 380-150A

Applies to SGC2060, SGC2072, SGC2084

Ref	Part No.	Part Description	Comments	Revision
	dwg37014	Drawing Image Number		
1.	380-150A	HOSE KIT, THIRD FUNCTION		
2.	811-150C	EL 3/4FJIC 3/4MJIC		
3.	811-870C	CP 3/4FORB QD FEMALE (POPPET)		
4.	851-090C	HH3/8R2 044 3/4FJIC 3/4MORB		

Third Function Valve Kit 380-166A for Kubota MX4700, MX4800, MX5100, MX5200, MX5800, & MX6899

Applies to SGC2060, SGC2072, SGC2084



37543

Third Function Valve Kit 380-166A for Kubota MX4700, MX4800, MX5100, MX5200, MX5800, & MX6899**Applies to SGC2060, SGC2072, SGC2084**

Ref	Part No.	Part Description	Comments	Revision
	Dwg 37543	Image No.		
	380-166A	VALVE KIT MX5200 3RD FNCTION *		
1.	380-165S	ASY, PUSH BUTTON CNTRL HNDL		
2.	380-254D	BRKT, VALVE MOUNT		
3.	380-255D	PLATE, BLKHD MOUNT		
4.	800-112C	CABLE TIE .19X7.25 1.75D 50LB		
5.	802-314C	HHCS M8X1.25X20 GR8.8		
6.	802-418C	HSHCS 1/4-20X7/8		
7.	802-967C	HHCS M8X1.25X35 GR8.8		
8.	804-157C	WASHER SPRING LOCK M8 PLT		
9.	804-161C	WASHER FLAT M8 PLT		
10.	810-926C	VALVE, THIRD FUNCTION		
11.	811-170C	AD 9/16MORB 9/16MJIC		
12.	811-394C	CP 3/4FORB MALE QD POPPET TYPE		
13.	811-870C	CP 3/4FORB QD FEMALE (POPPET)		
14.	833-495C	FUSE, 10 AMP MINI BLADE		
15.	833-650C	BLADE FUSE HOLDER, MINI		
16.	841-331C	HH3/8R2 035 3/4FJIC 9/16FJIC		
17.	851-084C	AD 9/16MORB 3/4MORB		
18.	851-344C	AD 3/4MJIC 3/4MORB BLKHD W/ LN		
19.	851-489C	HH3/8R2 098 3/4FJIC 3/4MORB		
20.	851-490C	HH3/8R2 035 3/4FJIC90 9/16FJIC		
21.	851-974C	DUST CAP, 1/2" QD AG		
22.	851-975C	DUST PLUG, 1/2" QD AG		



Part Number Index

The Part Number Index is a numeric index of all part numbers included in this manual. The index shows what page(s) the part is used on.

<u>Part Number</u>	<u>Page</u>	<u>Part Number</u>	<u>Page</u>
130560	13	821-054CGL	17
138028	13	821-054CQT	17
138106	13	821-054CTU	17
190131	13	821-058C	17
190186	13	821-058CGL	17
194016	13	821-058CQT	17
197082	13	821-058CTU	17
197175	13	821-066C	17
199209	13	821-066CGL	17
1A1757	11	821-066CQT	17
1D1551-20275	11	821-066CTU	17
257835	13	821-067C	17
258821	13	821-067CGL	17
258879	13	821-067CQT	17
2A0172-20	11	821-067CTU	17
2A0246-12	11	821-070C	17
2A0462-300	11	821-070CGL	17
380-001H	7	821-070CQT	17
380-002H	7	821-070CTU	17
380-004H	7	833-495C	23
380-005H	9	833-650C	23
380-008H	7	838-094C	15
380-009H	7	838-293C	15
380-011H	7	841-331C	23
380-012H	7	841-680C	9
380-063A	19	841-681C	9
380-150A	21	841-682C	9
380-165S	23	841-692C	9
380-166A	23	841-693C	9
380-254D	23	841-694C	9
380-255D	23	841-695C	19
4C4360	11	841-873C	9
4C5180	11	848-159C	15
4C5519	11	850-261C	13
4C5844	11	851-084C	23
4C6421	11	851-090C	21
755604	13	851-344C	23
755605	13	851-489C	23
800-001C	13	851-490C	23
800-080C	7	851-947C	19
800-112C	23	851-948C	19
802-082C	7, 9	851-974C	23
802-314C	23	851-975C	23
802-418C	23	858-054C	15
802-967C	23	858-055C	15
803-169C	7, 9	858-056C	15
803-194C	7	858-108C	15
804-157C	23	891-177C	7, 11, 13
804-161C	23	Dwg 35211	9
805-058C	11, 13	Dwg 35213	11
806-147C	7	Dwg 35298	19
810-783C	9, 11, 13	Dwg 37543	23
810-926C	23	Dwg 70168	13
811-063C	9	dwg35210	7
811-078C	9	dwg35212	15
811-091C	19	dwg37014	21
811-150C	21	N/A	11
811-170C	23		
811-205C	19		
811-394C	23		
811-744C	19		
811-745C	19		
811-870C	21, 23		
818-045C	15		
818-190C	15		
821-011C	17		
821-011CGL	17		
821-011CQT	17		
821-011CTU	17		
821-054C	17		

This Page Intentionally Left Blank



Great Plains Manufacturing, Inc.

Corporate Office: P.O. Box 5060
Salina, Kansas 67402-5060 USA

www.landpride.com
