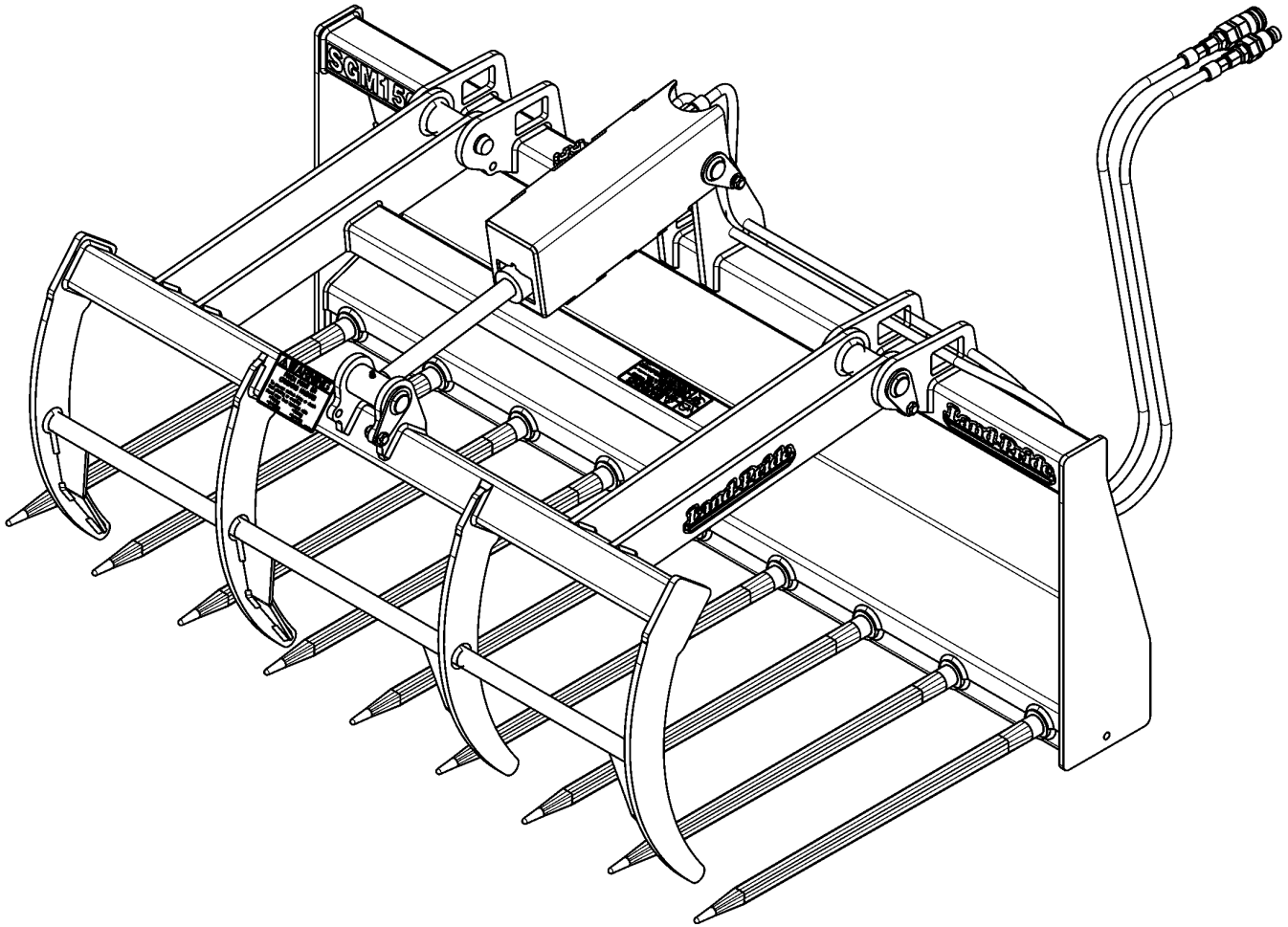


Grapples

SGM1560, SGM1566, SGM1572 & SGM1578



35183

380-051P Parts Manual



Read the Operator's Manual entirely. When you see this symbol, the subsequent instructions and warnings are serious - follow without exception. Your life and the lives of others depend on it!

© Copyright 2016 Printed 05/16/16

Cover photo may show optional equipment not supplied with standard unit.





Table of Contents

Section 1: Introduction.....	4
Using This Manual.....	4
Manual Replacement Information.....	4
Manual Revisions.....	4
Touch-up Paint.....	4
Hardware Legend.....	5
Replacement Hardware.....	5
Serial Numbers.....	5
Part Number Service Coding.....	5
Section 2: Main Assembly.....	6
Grapple & Spear Frame.....	6
Hydraulic Components.....	8
Hydraulic Cylinder (810-815C).....	10
Section 3: Options & Accessories.....	12
Hydraulic Hose Option Kubota SVL.....	12
Shield Hydraulic Cylinder.....	14
Third Function Valve Kit 380-152A for Kubota L2501 L3200 L3800 L3301 L3901 L4600 & L4701.....	16
Third Function Valve Kit 380-166A for Kubota MX4700.....	18
MX4800.....	18
MX5100.....	18
MX5200.....	18
MX5800.....	18
& MX6899.....	18
Upper Grapple Option.....	20
Section 4: Labels.....	22
Label Placement.....	22
Part Number Index.....	24

© Copyright 2016. All rights reserved.

Land Pride provides this publication “as is” without warranty of any kind, either expressed or implied. While every precaution has been taken in the preparation of this manual, Land Pride assumes no responsibility for errors or omissions. Neither is any liability assumed for damages resulting from the use of the information contained herein. Land Pride reserves the right to revise and improve its products as it sees fit. This publication describes the state of this product at the time of its publication, and may not reflect the product in the future. The illustrations in this manual are not intended for safe and proper assembly or disassembly of equipment. The illustrations are intended for ordering parts only.

Land Pride is registered trademark.

All other brands and product names are trademarks or registered trademarks of their respective holders.

Printed in the United States of America.



Alphabetized Table of Contents

G	Grapple & Spear Frame.....	6
H	Hydraulic Components.....	8
	Hydraulic Cylinder (810-815C).....	10
	Hydraulic Hose Option Kubota SVL.....	12
L	Label Placement.....	22
S	Shield Hydraulic Cylinder.....	14
T	Third Function Valve Kit 380-152A for Kubota L2501 L3200 L3800 L3301 L3901 L4600 & L4701.....	16
	Third Function Valve Kit 380-166A for Kubota MX4700, MX4800, MX5100, MX5200, MX5800, & MX6899.....	18
U	Upper Grapple Option.....	20

General Information

Using This Manual

This manual is divided into sections. The first section contains General Information. The remaining sections divide the machine into segments (i.e. Frames, Drives, Hydraulics, etc.) which illustrate and list all parts. A Parts Number Index is located at the back of the book.

The Land Pride parts in this manual are specially designed for this machine and should be replaced with Land Pride parts only.

The information in this manual is current at time of printing. Some parts may change to assure top performance.

Right-hand and left-hand as used in this manual are determined by facing the direction the machine will travel while in use.

Below is an example of two facing pages from a parts manual. Familiarize yourself with the type of information contained on these pages.

Manual Replacement Information

Replacement manuals are available. Refer to our website at www.landpride.com or e-mail us at lit@landpride.com for additional information. Our website continues to provide the most up-to-date manuals available.

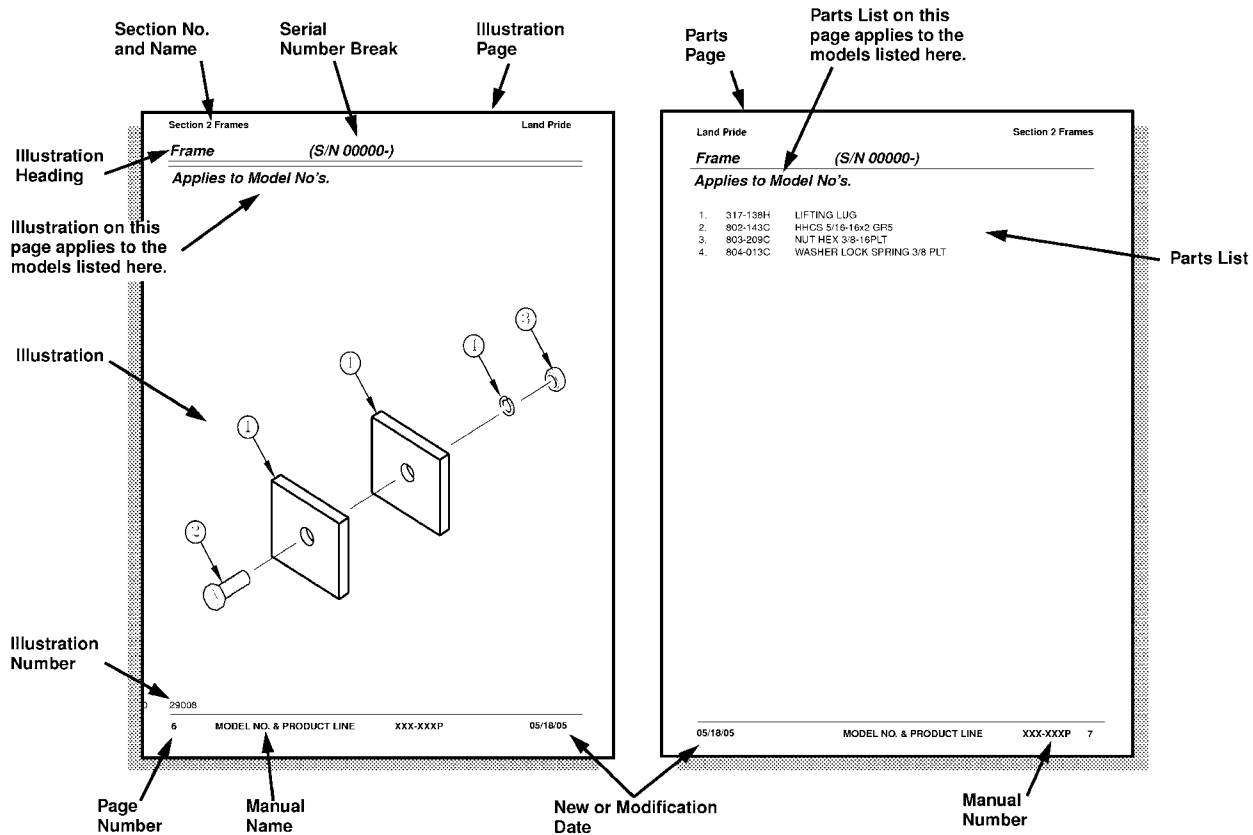
Touch-up Paint

Repaint parts where paint is worn or scratched to prevent rust. Aerosol cans and touch-up bottles with brush applicator are available through your local dealer. Land Pride color descriptions and part numbers are listed below. Also available are quart and gallon size paints. Add QT or GL to end of the Aerosol P/N.

Color	Product*	Aerosol	Touch-Up
Gloss Black	LP	821-032C	821-032CTU
Beige	LP	821-011C	821-011CTU
Green	SLP	821-058C	821-058CTU
Orange	SLP	821-066C	821-066CTU
Red	SLP	821-054C	821-054CTU
Blue	SLP	821-067C	821-067CTU

Notes:

- * LP = All Land Pride Products
- SLP = Select Land Pride Products that are available in optional Green, Orange and Red.



General Information

Hardware Legend

AR	As Required
BLADE	Blade Bolt
C	Cap Screw
CP	Cotter Pin
CPHSSS	Cup Point Hex Socket Set Screw
CPSHSS	Cup Point Square Head Set Screw
CPSQHSS	Cup Point Square Head Set Screw
CRFCHMS3	Cross Recess Flat Countersunk Head Machine Screw
CRPHMS	Cross Recess Pan Head Machine Screw
CRPHTF	Cross Recess Pan Head Thread Forming
CRRHMS	Cross Recess Round Head Machine Screw
CRTHMS	Cross Recess Truss Head Machine Screw
CSNB	Countersunk Square Neck Bolt
FHMS	Flat Head Machine Screw
FTC	Full Thread Cap Screw
H	Hex Nut
HCLN	Hex Center Lock Nut
HFLCS	Hex Flange Lock Cap Screw
HFS	Hex Flange Screw
HFSLN	Hex Flange Serrated Lock Nut
HFSS	Hex Flange Serrated Screw
HHCS	Hex Head Cap Screw or Metric Bolt
HSBHCS	Hex Socket Button Head Cap Screw
HSFCHCS	Hex Socket Flat Countersunk Head Cap Screw
HSHCS	Hex Socket Head Cap Screw
HSSS	Hex Socket Head Screw
HTLN	Hex Top Lock Nut
HWHCS	Hex Washer Head Cap Screw

HWHMS	Hex Washer Head Machine Screw
HXBHCS	Hex Socket Button Head Cap Screw
J	Hex Jam Nut
JIC	37 Degree Tapered Thread
L	Helical Spring Lock Washer
LUG	Lug Bolt
NFC	National Fine Cap Screw
NPSM	National Pipe Straight Mechanical
NPTF	National Pipe Taper Fuel
P	Wide Plain Washer
PHMS	Pan Head Machine Screw
PLOW	Plow Bolt
RHMS	Round Head Machine Screw
RHSNB	Round Head Square Neck Bolt
SCREW LEVELING	Leveling Screw
SCREW THUMB	Thumb Screw
SCREW WELD	Weld Screw
SFCHMS	Slotted Flat Countersunk Head Machine Screw
SFHMS	Slotted Fillister Head Machine Screw
SP	Special
SP SCREW	Special Screw
SQHSS	Square Head Set Screw
SRHMS	Slotted Round Head Machine Screw
SSS	Socket Set Screw
STCS	Self Tapping Cap Screw
STHMS	Slotted Truss Head Machine Screw
WHEEL	Wheel Studs and Hub Long Bolts
WING	Wing Bolt

Replacement Hardware

The **Hardware Legend** above lists hardware abbreviations used in the parts list. All bolts and nuts are Grade 5 unless otherwise noted. The use of improper grades of hardware can result in personal injury, damage to equipment, or loss of property.

Colored Replacement Parts

Land Pride offers replacement parts in factory standard colors and also on select models in Green, Orange, Red and Blue. Because of the variety of colors available, special attention must be given to the part number to prevent ordering the wrong replacement part.

A suffix number corresponding to one of the colors below must be added at the end of Land Pride's part number when ordering a replacement part with that color.

81 Green 83 Red
82 Orange 84 Blue

For example, if you are ordering a replacement part with part number 555-555C and the part you need is red, then add the suffix 83 to the end of the number to make the part number read 555-555C83. Parts ordered without a suffix number will be supplied in factory standard colors.

Black Replacement Parts

Some parts are factory standard black and some must be special ordered black. If your part is special ordered black, a second part number with the additional suffix number 85 on the end will be available. In this situation you must order that part with the suffix number for it to be black. Parts that are factory standard black will not have the suffix number.

Part Number Service Coding

Within the parts list some part numbers are coded for revisions and interchangeability. See notations in revision column.

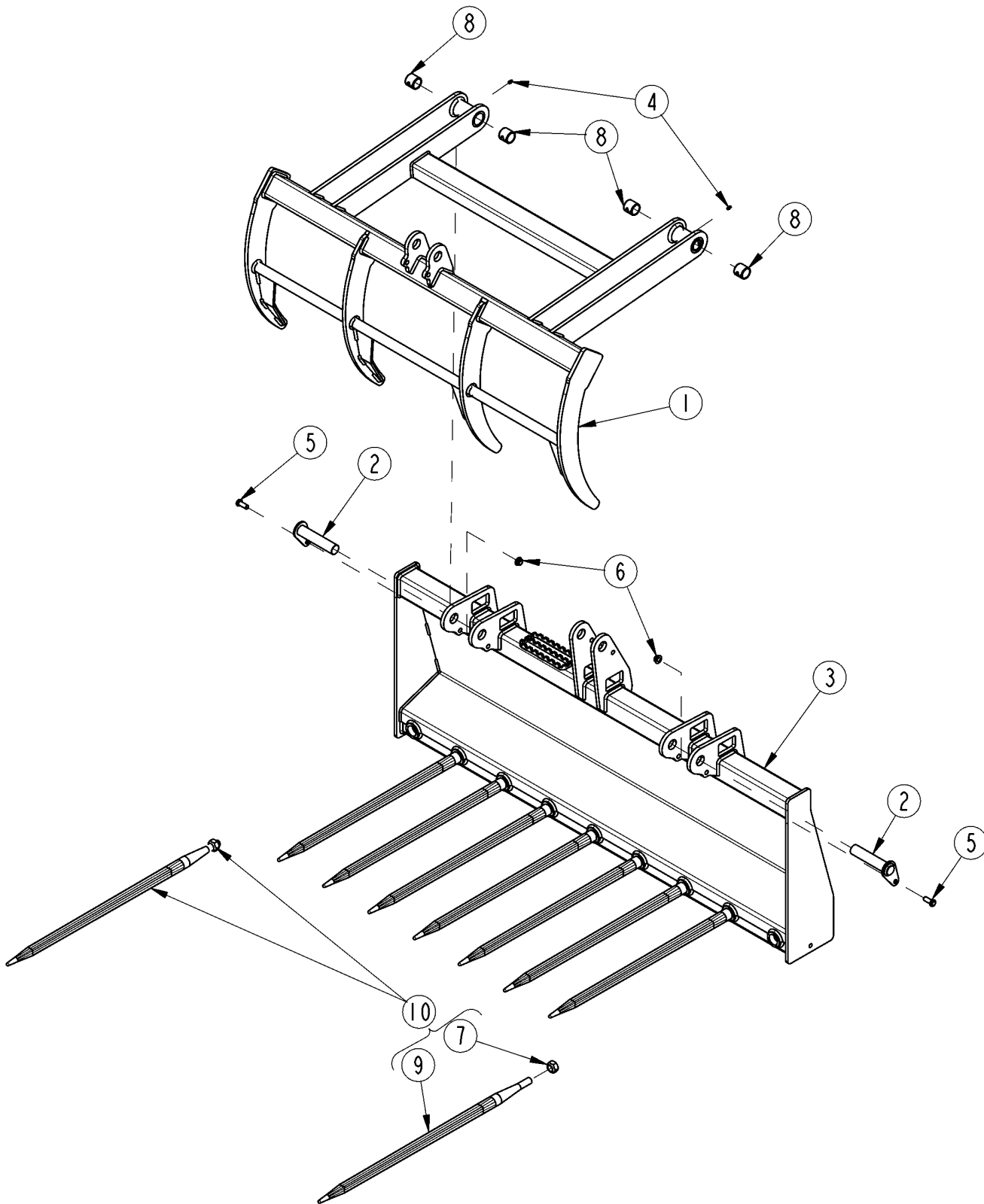
Serial Numbers

Always use the serial and model number when ordering parts. Refer to the Operator's Manual for serial number plate location.

- (S/N 20001+) Includes serial numbers 20001 and above (to the latest number)
- (S/N 10001 to 20000) Includes serial numbers between and including 10001 and 20000
- (S/N 10000-) Includes serial numbers 10000 and below (to the earliest number)

Grapple & Spear Frame

Applies to SGM1560, SGM1566, SGM1572, SGM1578



35184

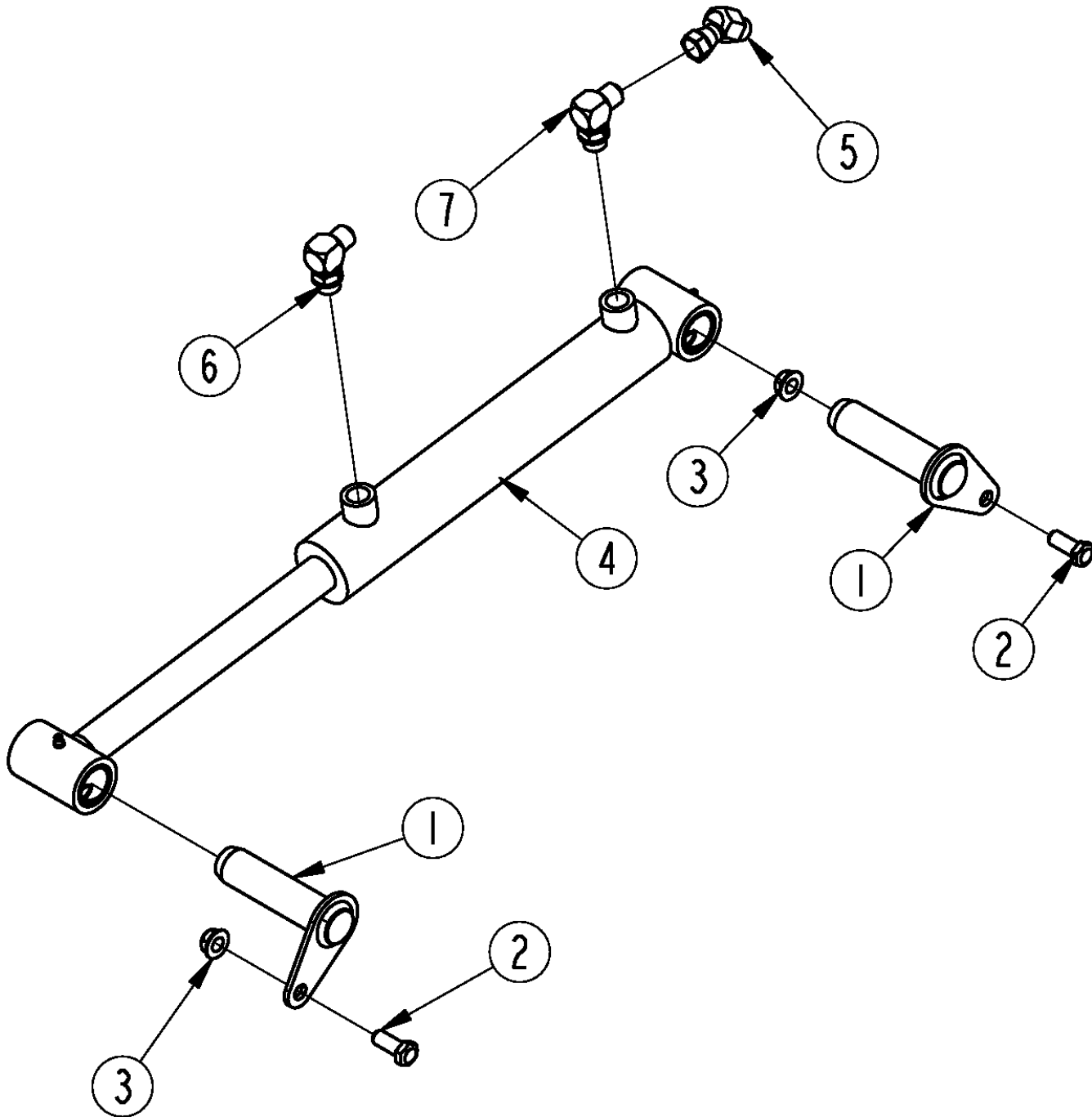
Grapple & Spear Frame

Applies to SGM1560, SGM1566, SGM1572, SGM1578

Ref	Part No.	Part Description	Comments	Revision
	dwg35184	Drawing Image Number		
1.	380-032H	WMT, 60" & 66" MANURE GRAPPLE	SGM1560 & SGM1566	
1.	380-045H	WMT, 72" & 78" MANURE GRAPPLE	SGM1572 & SGM1578	
2.	380-035H	WLDMT, PIVOT PIN		
3.	380-031H	FRAME, 60 MANURE GRAPPLE		
3.	380-039H	FRAME, 66 MANURE GRAPPLE		
3.	380-043H	FRAME, 72 MANURE GRAPPLE		
3.	380-047H	FRAME, 78 MANURE GRAPPLE		
4.	800-080C	GREASE ZERK 1/4-28 THD FORMING		
5.	802-034C	HHCS 1/2-13X1 1/4 GR5		
6.	803-169C	NUT HEX FLG LOCK 1/2-13 PLT		
7.	803-445C	NUT HEX M20X1.5 ECCENTRIC		
8.	891-177C	BHG 1.50ODX1.25X1.38		
9.	891-350C	SPEAR, 36 X 1 3/4		
10.	891-512C	BALE SPEAR ASSY 36"		

Hydraulic Components

Applies to SGM1560, SGM1566, SGM1572, SGM1578



35185

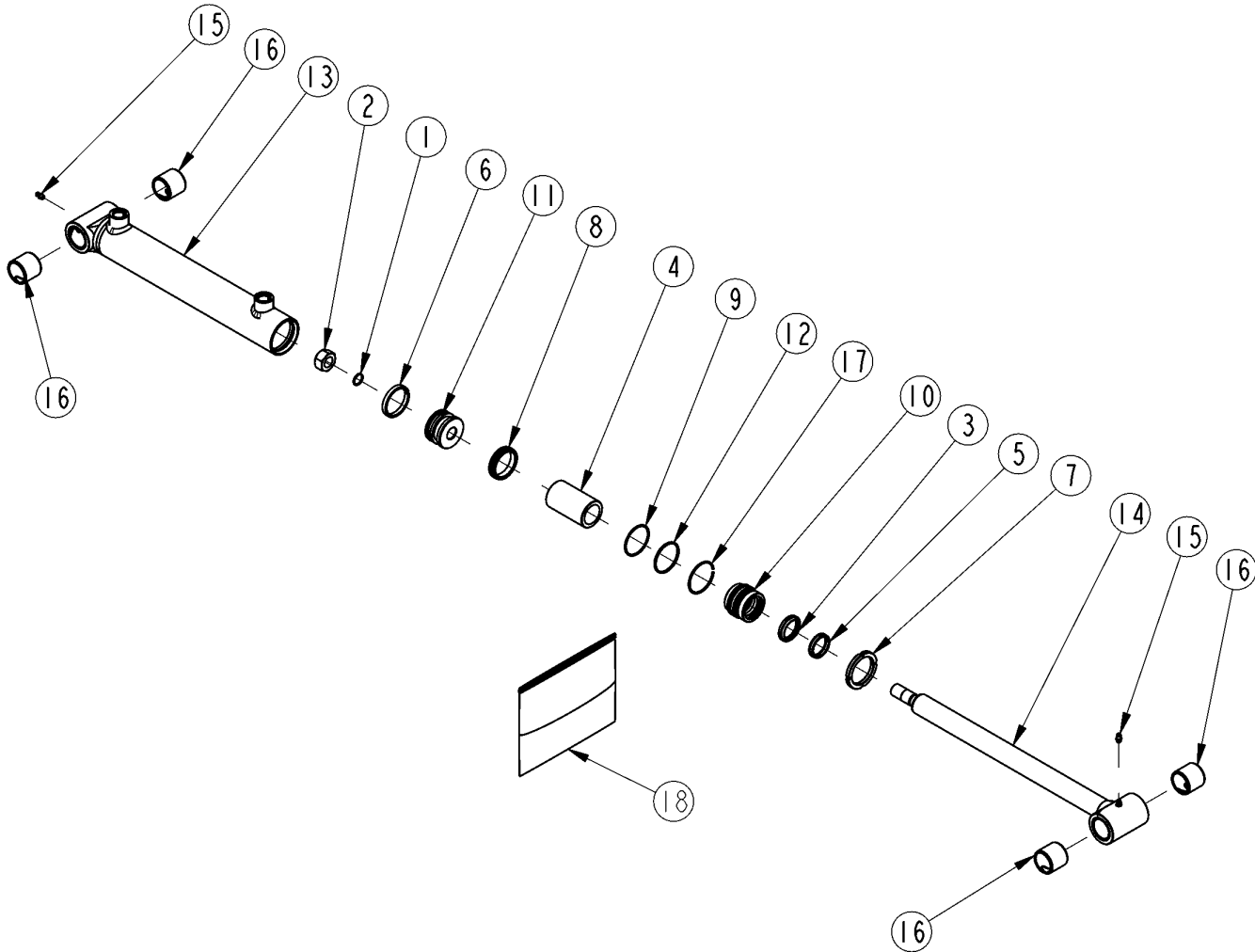
Hydraulic Components

Applies to SGM1560, SGM1566, SGM1572, SGM1578

Ref	Part No.	Part Description	Comments	Revision
	dwg35185	Drawing Image Number		
1.	380-020H	PIN, CYL SHIELD PIVOT		
2.	802-034C	HHCS 1/2-13X1 1/4 GR5		
3.	803-169C	NUT HEX FLG LOCK 1/2-13 PLT		
4.	810-815C	CYL 2X8X1 1/4 ROD WELDED		
5.	811-040C	EL 45 3/4MJIC 3/4FJIC	S/N 950650+ (fitting added to help hose routing)	
6.	811-063C	EL 3/4MJIC 3/4MORB		
7.	811-153C	OREL 1/16 3/4MJIC 3/4MORB		

Hydraulic Cylinder (810-815C)

Applies to SGM1560, SGM1566, SGM1572, SGM1578



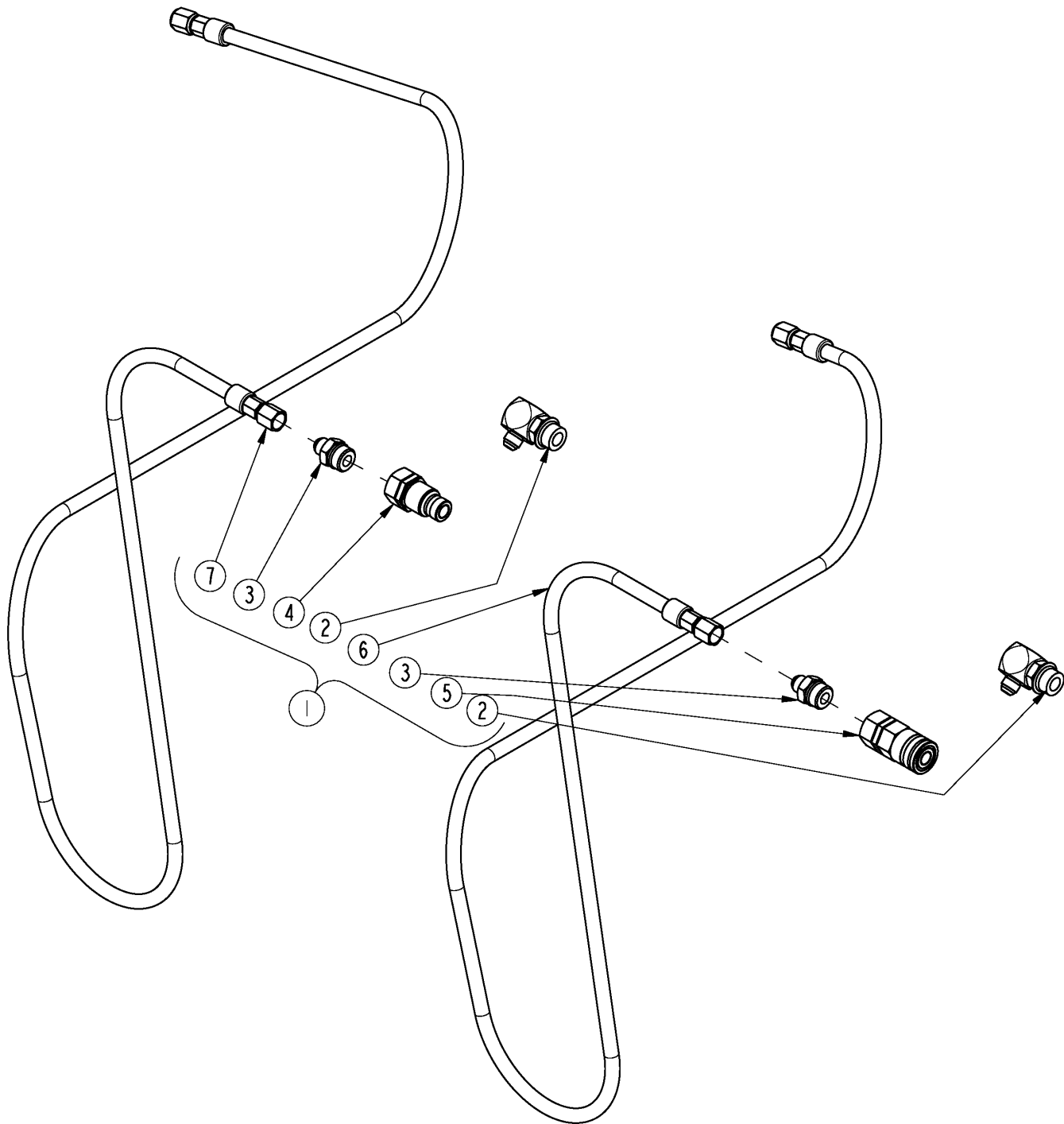
35173

Hydraulic Cylinder (810-815C)**Applies to SGM1560, SGM1566, SGM1572, SGM1578**

Ref	Part No.	Part Description	Comments	Revision
	dwg35173	Drawing Image Number		
	810-815C	CYL 2X8X1 1/4 ROD WELDED *		
1.	N/A	EGY ORING N .625X.75 016 D70	In Seal Kit Item #18	
2.	00082477	EGY NUT LOCK REG 3/4-16 GR C		
3.	N/A	EGY WIPER RING 1.25 HVY SECTIO	In Seal Kit Item #18	
4.	0A009944-03	EGY STOP TUBE 1.266IDX1.75ODX3		
5.	N/A	EGY SEAL POLY 1.25X1.50D0.25	In Seal Kit Item #18	
6.	N/A	EGY WEAR RING 2.0ODX.25X.125	In Seal Kit Item #18	
7.	14676A	EGY SPANNER NUT 0.25X2.375 OD		
8.	N/A	EGY PSP PISTON SEAL 2.0 BORE	In Seal Kit Item #18	
9.	N/A	EGY BACKUP RING H 1.812X2.0	In Seal Kit Item #18	
10.	16948B	EGY GUIDE 2.0 BORE-1.25 ROD		
11.	16951B	EGY PISTON - 2.00 BORE		
12.	N/A	EGY ORING NT 1.812X2.0 133 D70	In Seal Kit Item #18	
13.	44058C	EGY CYL BODY 2.00ID W/C 43983C		
14.	44059C	EGY ROD 1.25 W/C 43984B(17.75)		
15.	800-080C	GREASE ZERK 1/4-28 THD FORMING		
16.	891-177C	BHG 1.50ODX1.25X1.38		
17.	N/A	EGY RET RING RD INT 2.0	In Seal Kit Item #18	
18.	44430X	EGY SEAL KIT (810-815C)		

Hydraulic Hose Option Kubota SVL

Applies to SGM1560, SGM1566, SGM1572, SGM1578



35270

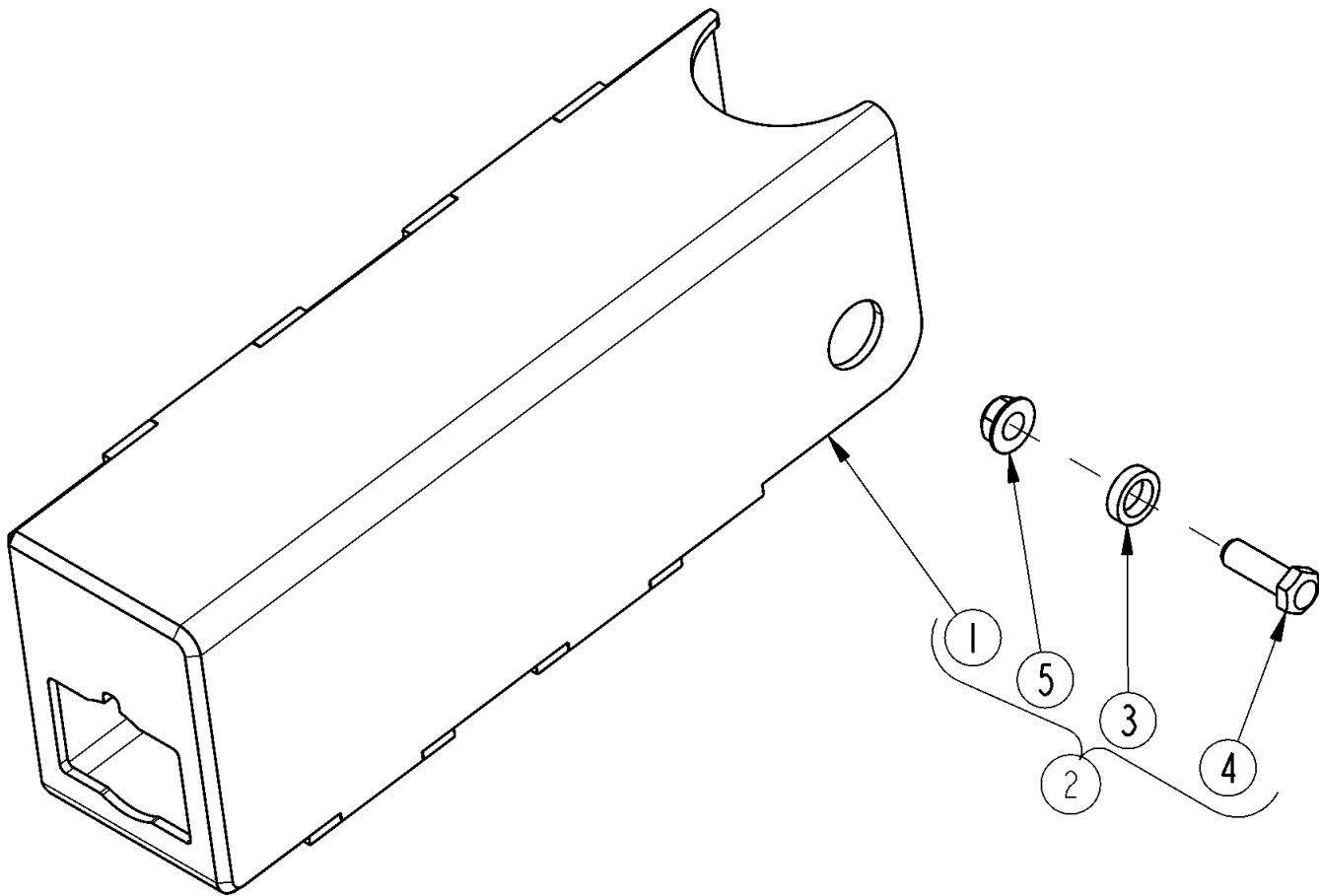
Hydraulic Hose Option Kubota SVL

Applies to SGM1560, SGM1566, SGM1572, SGM1578

Ref	Part No.	Part Description	Comments	Revision
	dwg35270	Drawing Image Number		
1.	380-062A	HOSE BUNDLE, KUBOTA SVL		
2.	811-091C	EL 3/4MJIC 1 1/16MORB	S/N _____+	
3.	811-205C	AD 3/4MJIC 1 1/16MORB	S/N _____-	
4.	811-744C	CP 1 1/16FORB MALE QUICK		
5.	811-745C	CP 1 1/16FORB FEMALE QUICK		
6.	841-868C	HH1/2R2 095 3/4FJIC TUFF COAT		
7.	841-869C	HH1/2R2 105 3/4FJIC TUFF COAT		

Shield Hydraulic Cylinder

Applies to SGM1560, SGM1566, SGM1572, SGM1578



35186

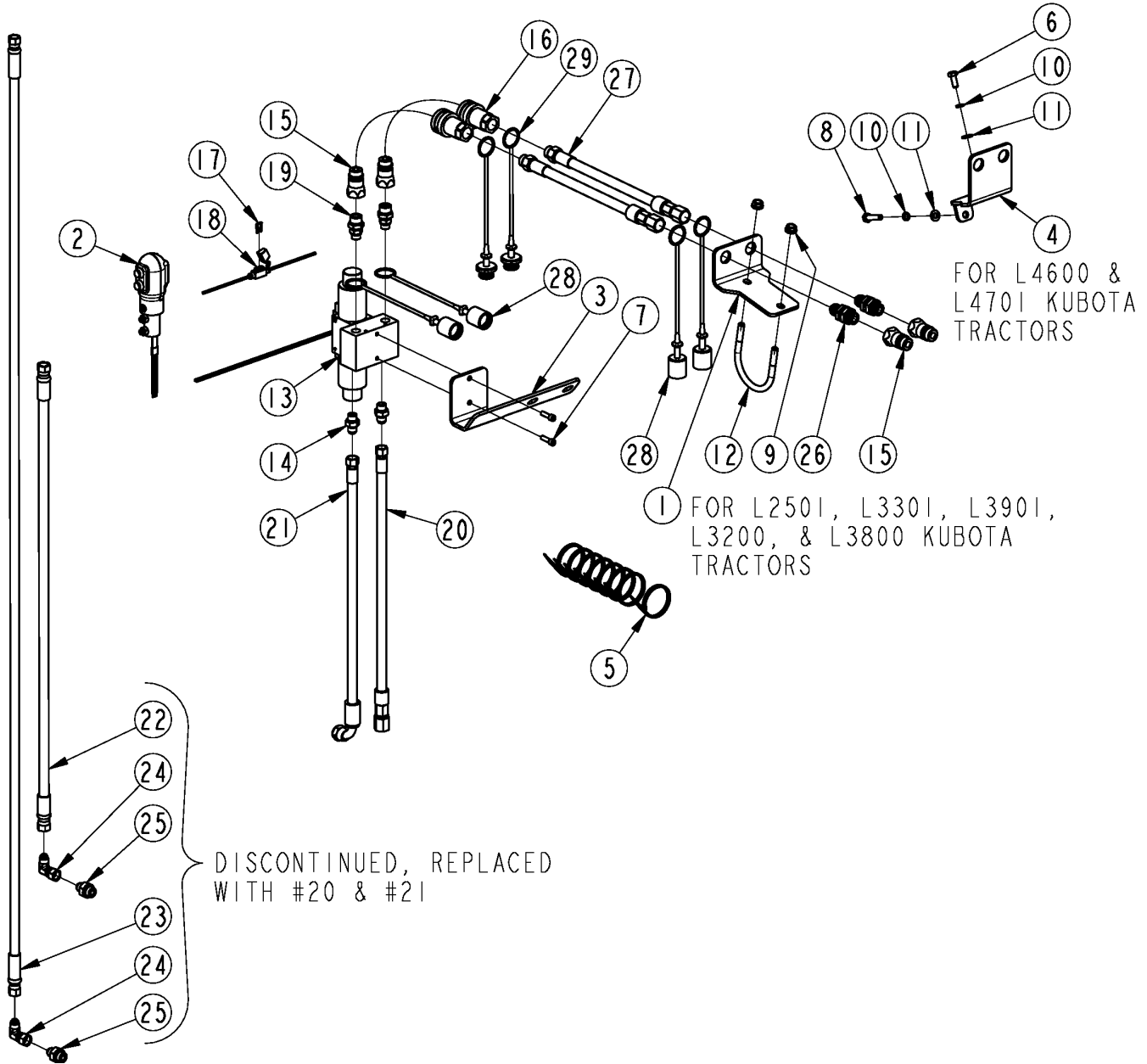
Shield Hydraulic Cylinder

Applies to SGM1560, SGM1566, SGM1572, SGM1578

Ref	Part No.	Part Description	Comments	Revision
	dwg35186	Drawing Image Number		
1.	380-019H	WLDMT, HYD CYL SHIELD		
2.	380-038A	SHIELD, HYD CYLINDER		
3.	405-031D	1/4 PW SPACER 5/8 DIA		
4.	802-091C	HHCS 1/2-13X1 1/2 GR5		
5.	803-169C	NUT HEX FLG LOCK 1/2-13 PLT		

Third Function Valve Kit 380-152A for Kubota L2501 L3200 L3800 L3301 L3901 L4600 & L4701

Applies to SGM1560, SGM1566, SGM1572, SGM1578

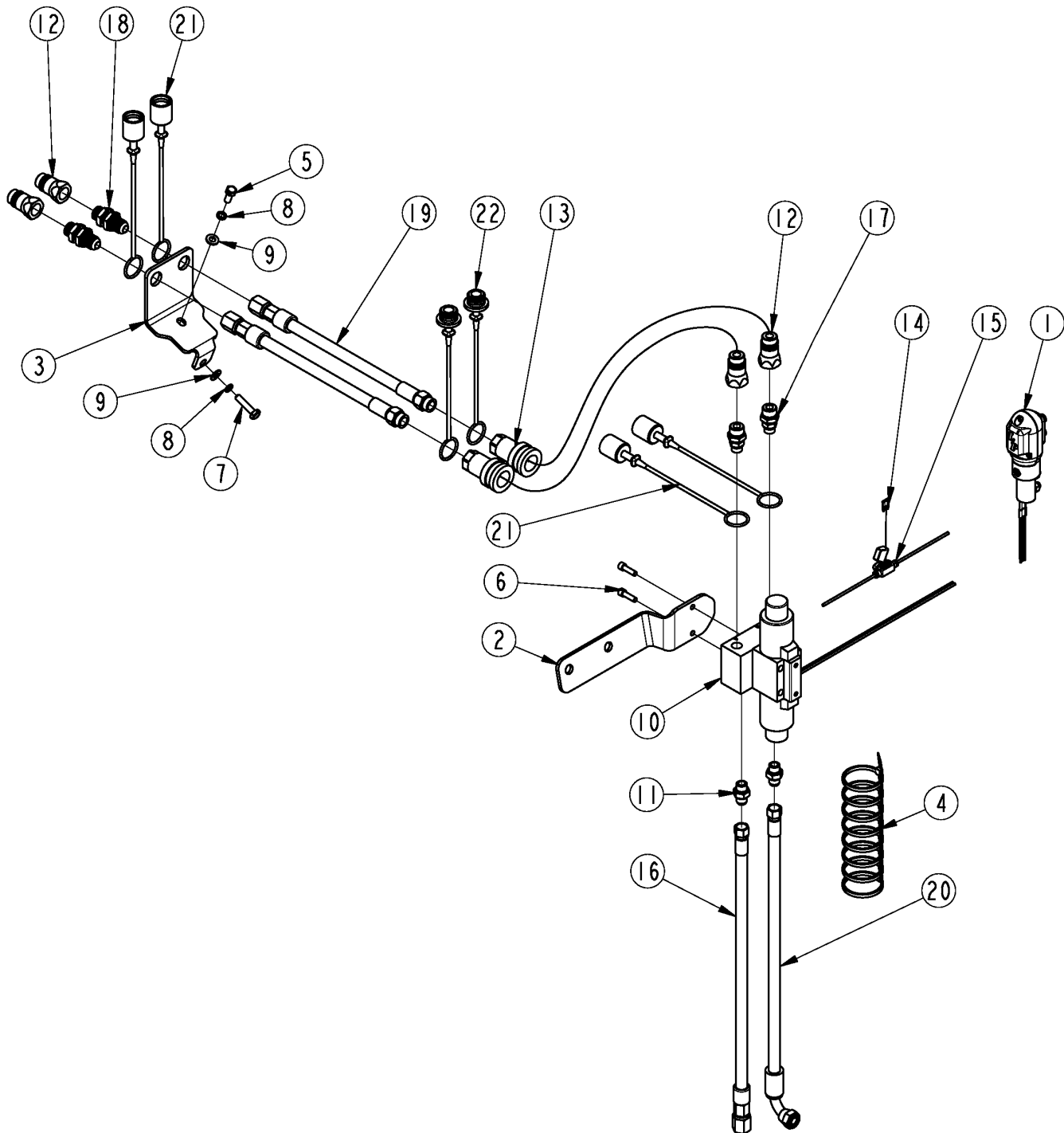


Third Function Valve Kit 380-152A for Kubota L2501 L3200 L3800 L3301 L3901 L4600 & L4701

Applies to SGM1560, SGM1566, SGM1572, SGM1578			Comments	Revision
Ref	Part No.	Part Description		
	Dwg 37198	Image No.		
	380-152A	VALVE KIT L3301 3RD FNCTION *		
1.	380-164D	PLATE, BLKHD MOUNT		
2.	380-165S	ASY, PUSH BUTTON CNTRL HNDL		
3.	380-234D	BRKT, VALVE MOUNT		
4.	380-255D	PLATE, BLKHD MOUNT		
5.	800-112C	CABLE TIE .19X7.25 1.75D 50LB		
6.	802-314C	HHCS M8X1.25X20 GR8.8		
7.	802-418C	HSHCS 1/4-20X7/8		
8.	802-967C	HHCS M8X1.25X35 GR8.8		
9.	803-198C	NUT HEX WHIZ 3/8-16 PLT		
10.	804-157C	WASHER SPRING LOCK M8 PLT		
11.	804-161C	WASHER FLAT M8 PLT		
12.	806-261C	U-BOLT 3/8-16X3X3 5/8 RND		
13.	810-926C	VALVE, THIRD FUNCTION		
14.	811-170C	AD 9/16MORB 9/16MJIC		
15.	811-394C	CP 3/4FORB MALE QD POPPET TYPE		
16.	811-870C	CP 3/4FORB QD FEMALE (POPPET)		
17.	833-495C	FUSE, 10 AMP MINI BLADE		
18.	833-650C	BLADE FUSE HOLDER, MINI		
19.	851-084C	AD 9/16MORB 3/4MORB		
20.	841-331C	HH3/8R2 035 3/4FJIC 9/16FJIC		
21.	851-490C	HH3/8R2 035 3/4FJIC90 9/16FJIC		
22.	811-701C	HH3/8R2 033 9/16FJIC		
23.	811-703C	HH3/8R2 068 9/16FJIC		
24.	811-169C	EL 9/16MJIC 9/16FJIC		
25.	851-349C	AD 9/16MJIC 3/8MBSPP		
26.	851-344C	AD 3/4MJIC 3/4MORB BLKHD W/ LN		
27.	851-376C	HH3/8R2 086 3/4FJIC 3/4MORB		
28.	851-974C	DUST CAP, 1/2" QD AG		
29.	851-975C	DUST PLUG, 1/2" QD AG		

Third Function Valve Kit 380-166A for Kubota MX4700, MX4800, MX5100, MX5200, MX5800, & MX6899

Applies to SGM1560, SGM1566, SGM1572, SGM1578



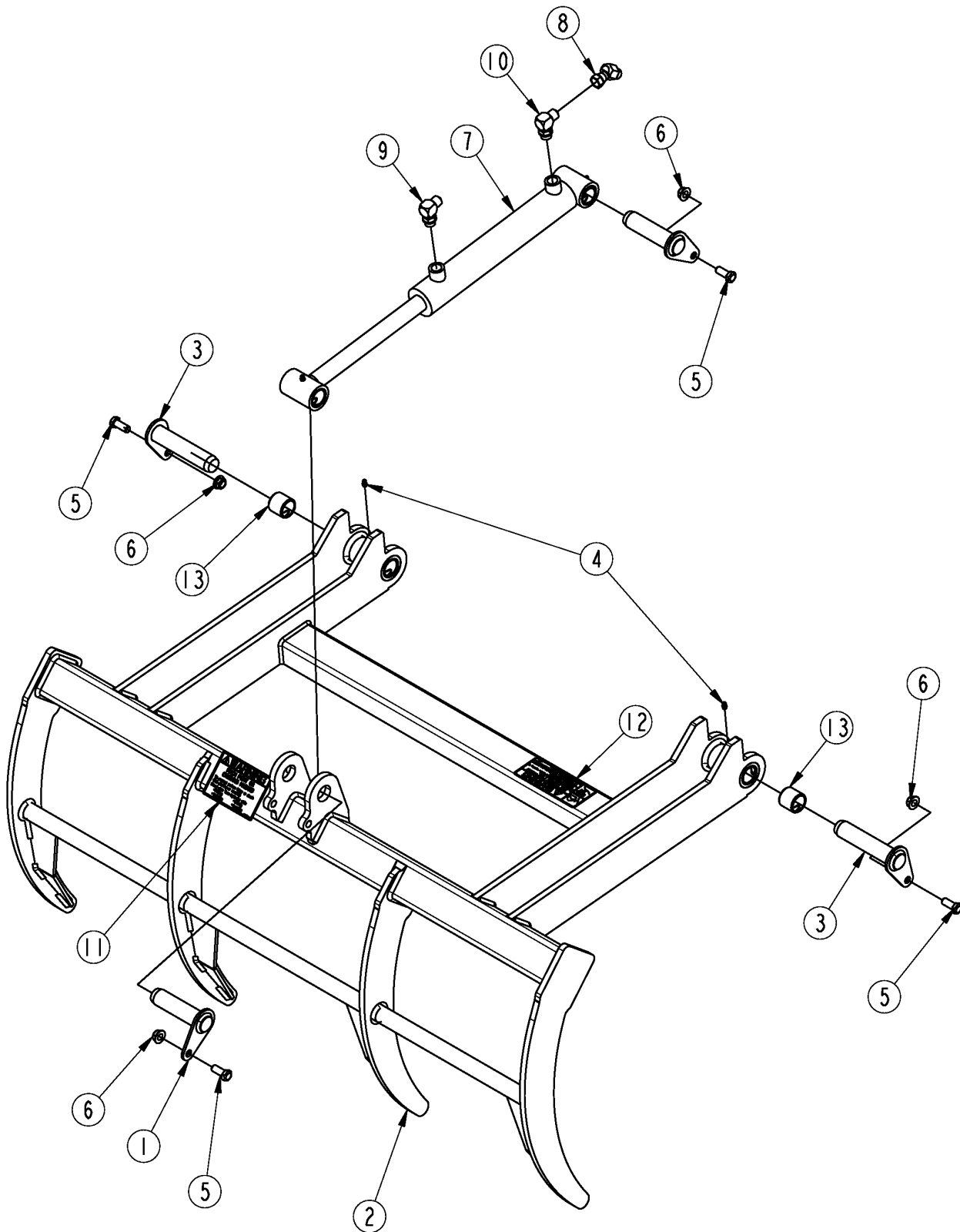
37543

Third Function Valve Kit 380-166A for Kubota MX4700, MX4800, MX5100, MX5200, MX5800, & MX6899

Applies to SGM1560, SGM1566, SGM1572, SGM1578			Comments	Revision
Ref	Part No.	Part Description		
	Dwg 37543	Image No.		
	380-166A	VALVE KIT MX5200 3RD FNCTION *		
1.	380-165S	ASY, PUSH BUTTON CNTRL HNDL		
2.	380-254D	BRKT, VALVE MOUNT		
3.	380-255D	PLATE, BLKHD MOUNT		
4.	800-112C	CABLE TIE .19X7.25 1.75D 50LB		
5.	802-314C	HHCS M8X1.25X20 GR8.8		
6.	802-418C	HSHCS 1/4-20X7/8		
7.	802-967C	HHCS M8X1.25X35 GR8.8		
8.	804-157C	WASHER SPRING LOCK M8 PLT		
9.	804-161C	WASHER FLAT M8 PLT		
10.	810-926C	VALVE, THIRD FUNCTION		
11.	811-170C	AD 9/16MORB 9/16MJIC		
12.	811-394C	CP 3/4FORB MALE QD POPPET TYPE		
13.	811-870C	CP 3/4FORB QD FEMALE (POPPET)		
14.	833-495C	FUSE, 10 AMP MINI BLADE		
15.	833-650C	BLADE FUSE HOLDER, MINI		
16.	841-331C	HH3/8R2 035 3/4FJIC 9/16FJIC		
17.	851-084C	AD 9/16MORB 3/4MORB		
18.	851-344C	AD 3/4MJIC 3/4MORB BLKHD W/ LN		
19.	851-489C	HH3/8R2 098 3/4FJIC 3/4MORB		
20.	851-490C	HH3/8R2 035 3/4FJIC90 9/16FJIC		
21.	851-974C	DUST CAP, 1/2" QD AG		
22.	851-975C	DUST PLUG, 1/2" QD AG		

Upper Grapple Option

Applies to SGM1560, SGM1566, SGM1572, SGM1578



35410

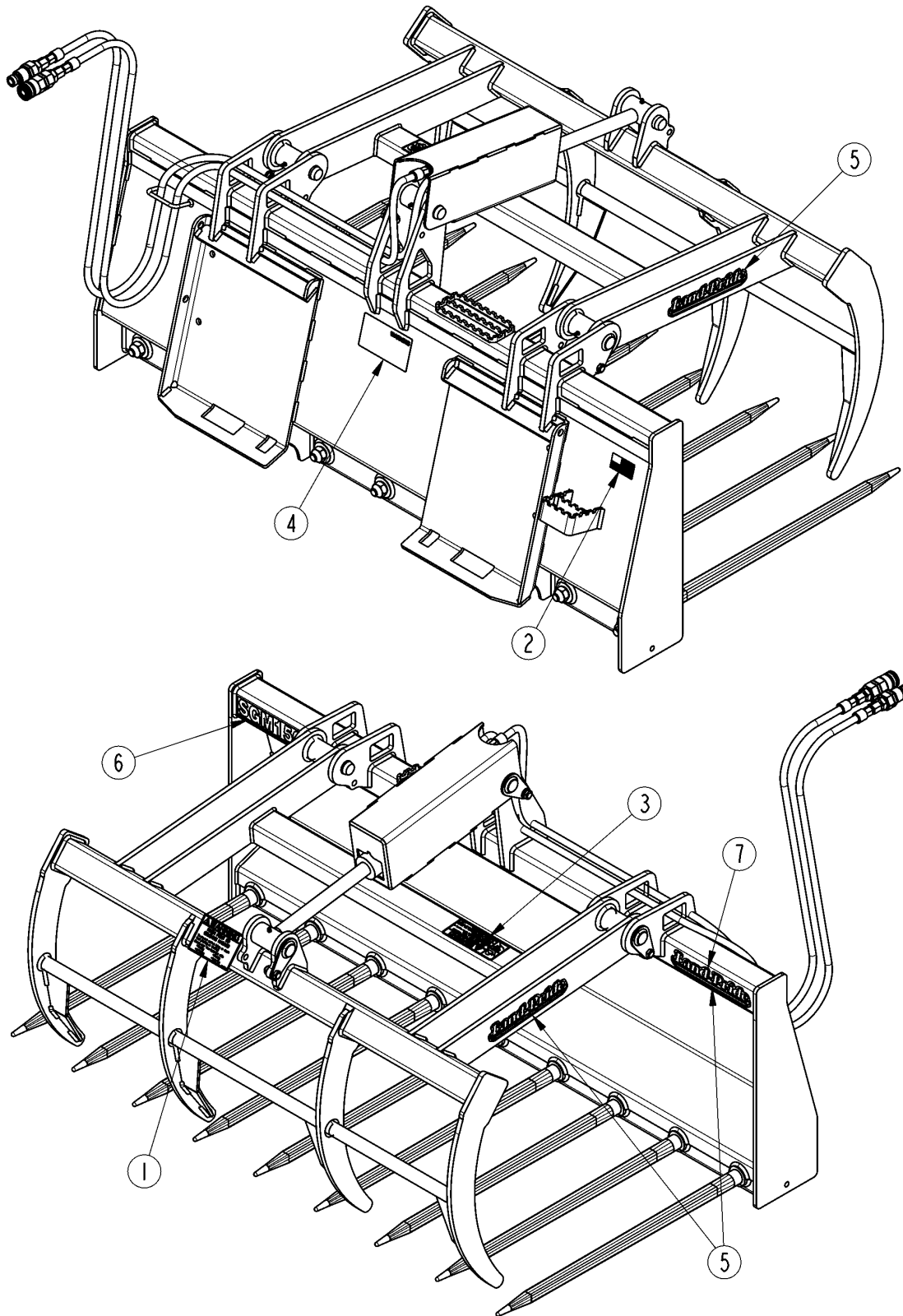
Upper Grapple Option

Applies to SGM1560, SGM1566, SGM1572, SGM1578

Ref	Part No.	Part Description	Comments	Revision
	dwg35410	Drawing Image Number		
	380-037A	UPPER GRAPPLE	SGM1560 & SGM1566	
	380-046A	UPPER GRAPPLE	SGM1572 & SGM1578	
		*		
1.	380-020H	PIN, CYL SHIELD PIVOT		
2.	380-032H	WMT, 60" & 66" MANURE GRAPPLE		
2.	380-045H	WMT, 72" & 78" MANURE GRAPPLE		
3.	380-035H	WLDMT, PIVOT PIN		
4.	800-080C	GREASE ZERK 1/4-28 THD FORMING		
5.	802-034C	HHCS 1/2-13X1 1/4 GR5		
6.	803-169C	NUT HEX FLG LOCK 1/2-13 PLT		
7.	810-815C	CYL 2X8X1 1/4 ROD WELDED		
8.	811-040C	EL 45 3/4MJIC 3/4FJIC	S/N 950650+ (fitting added to help hose routing)	
9.	811-063C	EL 3/4MJIC 3/4MORB		
10.	811-153C	OREL 1/16 3/4MJIC 3/4MORB		
11.	818-045C	DECAL WARNING PINCH PT/CRUSH		
12.	838-094C	DECAL WARNING HYD PRESS LONG		
13.	891-177C	BHG 1.50ODX1.25X1.38		

Label Placement

Applies to SGM1560, SGM1566, SGM1572, SGM1578



35187

Label Placement**Applies to SGM1560, SGM1566, SGM1572, SGM1578**

Ref	Part No.	Part Description	Comments	Revision
	dwg35187	Drawing Image Number		
1.	818-045C	DECAL WARNING PINCH PT/CRUSH		
2.	818-190C	DECAL FLAG		
3.	838-094C	DECAL WARNING HYD PRESS LONG		
4.	838-293C	DECAL WARNING READ MANUAL		
5.	848-159C	DECAL LANDPRIDE 10" BROWN/GOLD		
6.	848-989C	DECAL, SGM1560 GOLD		
6.	848-990C	DECAL, SGM1566 GOLD		
6.	848-991C	DECAL, SGM1572 GOLD		
6.	848-992C	DECAL, SGM1578 GOLD		
7.	838-967C	DECAL LANDPRIDE 6" BROWN/GOLD	SGM1560 Only	



Part Number Index

The Part Number Index is a numeric index of all part numbers included in this manual. The index shows what page(s) the part is used on.

<u>Part Number</u>	<u>Page</u>	<u>Part Number</u>	<u>Page</u>
00082477	11	848-991C	23
0A009944-03	11	848-992C	23
14676A	11	851-084C	17, 19
16948B	11	851-344C	17, 19
16951B	11	851-349C	17
380-019H	15	851-376C	17
380-020H	9, 21	851-489C	19
380-031H	7	851-490C	17, 19
380-032H	7, 21	851-974C	17, 19
380-035H	7, 21	851-975C	17, 19
380-037A	21	891-177C	7, 11, 21
380-038A	15	891-350C	7
380-039H	7	891-512C	7
380-043H	7	Dwg 37198	17
380-045H	7, 21	Dwg 37543	19
380-046A	21	dwg35173	11
380-047H	7	dwg35184	7
380-062A	13	dwg35185	9
380-152A	17	dwg35186	15
380-164D	17	dwg35187	23
380-165S	17, 19	dwg35270	13
380-166A	19	dwg35410	21
380-234D	17	N/A	11
380-254D	19		
380-255D	17, 19		
405-031D	15		
44058C	11		
44059C	11		
44430X	11		
800-080C	7, 11, 21		
800-112C	17, 19		
802-034C	7, 9, 21		
802-091C	15		
802-314C	17, 19		
802-418C	17, 19		
802-967C	17, 19		
803-169C	7, 9, 15, 21		
803-198C	17		
803-445C	7		
804-157C	17, 19		
804-161C	17, 19		
806-261C	17		
810-815C	9, 11, 21		
810-926C	17, 19		
811-040C	9, 21		
811-063C	9, 21		
811-091C	13		
811-153C	9, 21		
811-169C	17		
811-170C	17, 19		
811-205C	13		
811-394C	17, 19		
811-701C	17		
811-703C	17		
811-744C	13		
811-745C	13		
811-870C	17, 19		
818-045C	21, 23		
818-190C	23		
833-495C	17, 19		
833-650C	17, 19		
838-094C	21, 23		
838-293C	23		
838-967C	23		
841-331C	17, 19		
841-868C	13		
841-869C	13		
848-159C	23		
848-989C	23		
848-990C	23		

This Page Intentionally Left Blank



Great Plains Manufacturing, Inc.

Corporate Office: P.O. Box 5060
Salina, Kansas 67402-5060 USA

www.landpride.com
