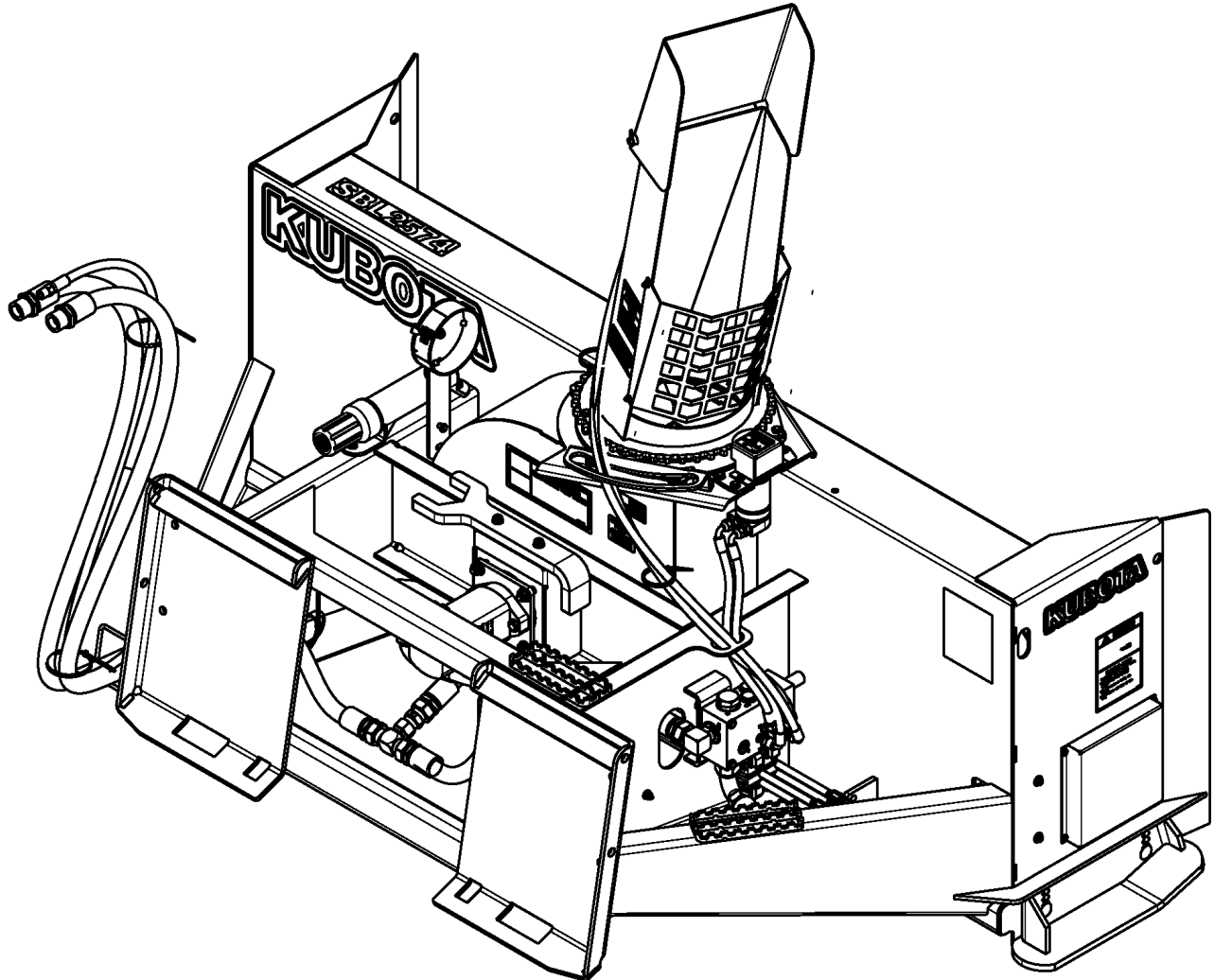


Snow Blowers

AP-SBL2566, AP-SBL2574, & AP-SBL2584



37867

370-478PK
Parts Manual

Kubota®



Read the Operator's Manual entirely. When you see this symbol, the subsequent instructions and warnings are serious - follow without exception. Your life and the lives of others depend on it!

© Copyright 2019 Printed 04/22/19

Cover photo may show optional equipment not supplied with standard unit.



Table of Contents

Section 1: Introduction.....	4	Part Number Index.....	70
Using This Manual.....	4		
Manual Replacement Information.....	4		
Manual Revisions.....	4		
Touch-up Paint.....	4		
Hardware Legend.....	5		
Replacement Hardware.....	5		
Serial Numbers.....	5		
Part Number Service Coding.....	5		
Section 2: Frame, Auger & Impeller Components.....	6		
Auger Components.....	6		
Cutting Edge.....	8		
Frame & Chute.....	10		
Impeller Components.....	12		
Level Run Indicator.....	14		
Section 3: Hydro with Options.....	16		
Auger Drive Hydraulics.....	16		
Chute Rotation Hydraulics.....	18		
Chute Tilt Hydraulics.....	20		
Control Box (823-377C).....	22		
Control Harness Kubota Skid W/ 2-Pin Power Supply.....	24		
Control Harness Skid.....	26		
Control Harness Tractor.....	28		
CTL Case Drain Coupler Package.....	30		
Eaton Hydraulic Motor 5.5 Cubic Inch (850-026C).....	32		
Eaton Hydraulic Motor 7.9 Cubic Inch (850-029C).....	34		
Eaton Hydraulic Motor 9.7 Cubic Inch (850-030C).....	36		
Flat Faced Couplers Large.....	38		
Flat Faced Couplers Small.....	40		
Flow Control Valve.....	42		
Hose & Fittings.....	42		
Hydraulic Cylinder Double Acting (810-125C) Lion.....	44		
Hydraulic Cylinder Double Acting (810-125C) Lion.....	46		
Hydraulic Motor (850-254C) White.....	48		
Hydraulic Motor 18 Cubic Inch (810-732C) 3500 PSI.....	50		
Hydraulic Motor Assembly.....	52		
Return to Sump Hose.....	54		
Solenoid Valve (810-840).....	56		
Solenoid.....	58		
Hose & Fittings.....	58		
Wiring Harness 14 Pin.....	60		
Section 4: Skid Shoe Options.....	62		
Inner Skid Shoes.....	62		
Outer Skid Shoes.....	64		
Section 5: Decals.....	66		
Decal Placement.....	66		
Kubota Touch-up Paints.....	68		

© Copyright 2019. All rights reserved.

Kubota provides this publication “as is” without warranty of any kind, either expressed or implied. While every precaution has been taken in the preparation of this manual, Kubota assumes no responsibility for errors or omissions. Neither is any liability assumed for damages resulting from the use of the information contained herein. Kubota reserves the right to revise and improve its products as it sees fit. This publication describes the state of this product at the time of its publication, and may not reflect the product in the future. The illustrations in this manual are not intended for safe and proper assembly or disassembly of equipment. The illustrations are intended for ordering parts only.

Kubota is registered trademark.

All other brands and product names are trademarks or registered trademarks of their respective holders.

Printed in the United States of America.



Alphabetized Table of Contents

A	Auger Components.....6	W	Wiring Harness 14 Pin.....60
	Auger Drive Hydraulics.....16		
C	Chute Rotation Hydraulics.....18		
	Chute Tilt Hydraulics.....20		
	Control Box (823-377C).....22		
	Control Harness Kubota Skid W/ 2-Pin Power Supply..24		
	Control Harness Skid.....26		
	Control Harness Tractor.....28		
	CTL Case Drain Coupler Package.....30		
	Cutting Edge.....8		
D	Decal Placement.....66		
E	Eaton Hydraulic Motor 5.5 Cubic Inch (850-026C).....32		
	Eaton Hydraulic Motor 7.9 Cubic Inch (850-029C).....34		
	Eaton Hydraulic Motor 9.7 Cubic Inch (850-030C).....36		
F	Flat Faced Couplers Large.....38		
	Flat Faced Couplers Small.....40		
	Flow Control Valve, Hose & Fittings.....42		
	Frame & Chute.....10		
H	Hydraulic Cylinder Double Acting (810-125C) Lion.....44		
	Hydraulic Cylinder Double Acting (810-125C) Lion.....46		
	Hydraulic Motor (850-254C) White.....48		
	Hydraulic Motor 18 Cubic Inch (810-732C) 3500 PSI..50		
	Hydraulic Motor Assembly.....52		
I	Impeller Components.....12		
	Inner Skid Shoes.....62		
K	Kubota Touch-up Paints.....68		
L	Level Run Indicator.....14		
O	Outer Skid Shoes.....64		
R	Return to Sump Hose.....54		
S	Solenoid Valve (810-840).....56		
	Solenoid, Hose & Fittings.....58		

General Information

Using This Manual

This manual is divided into sections. The first section contains General Information. The remaining sections divide the machine into segments (i.e. Frames, Drives, Hydraulics, etc.) which illustrate and list all parts. A Parts Number Index is located at the back of the book.

The Kubota parts in this manual are specially designed for this machine and should be replaced with Kubota parts only.

The information in this manual is current at time of printing. Some parts may change to assure top performance.

Right-hand and left-hand as used in this manual are determined by facing the direction the machine will travel while in use.

Below is an example of two facing pages from a parts manual. Familiarize yourself with the type of information contained on these pages.

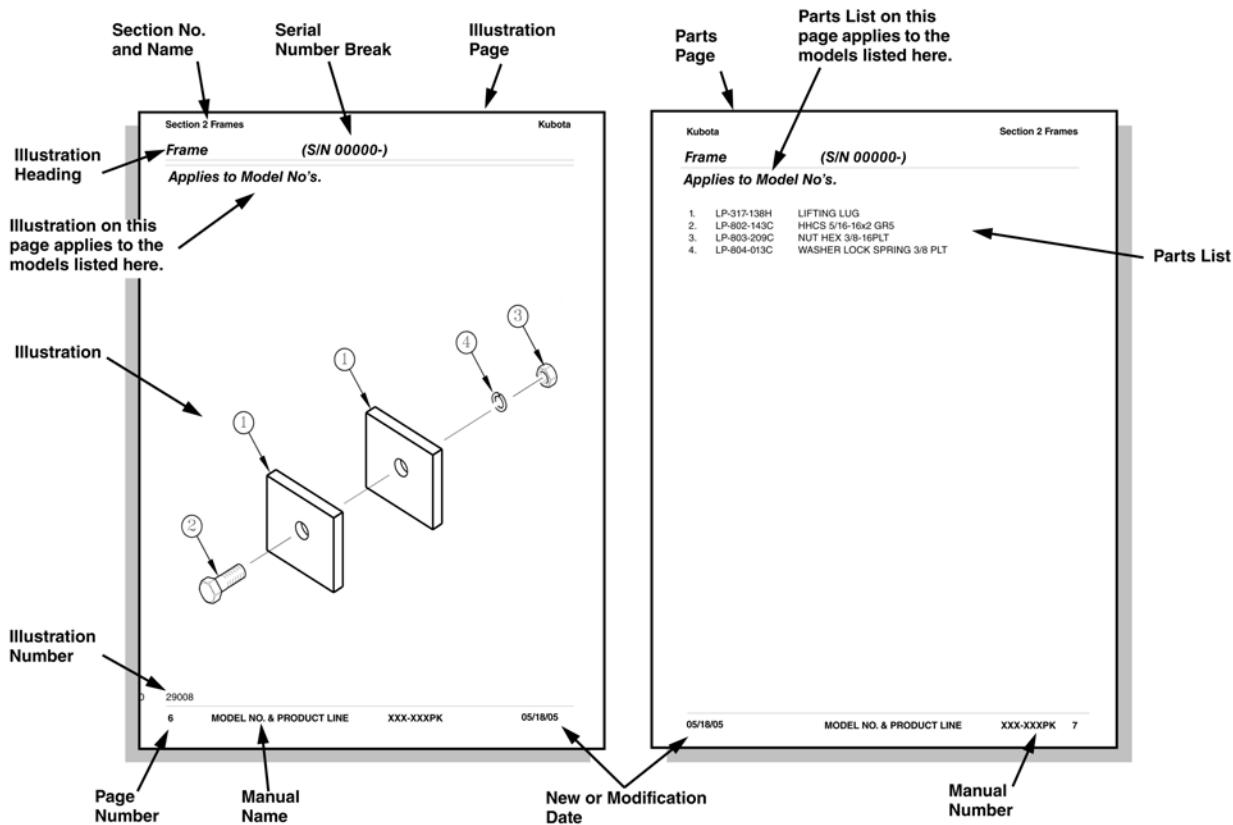
Manual Replacement Information

Replacement manuals are available. Refer to our website at www.landpride.com for additional information. Our website continues to provide the most up-to-date manuals available.

Touch-up Paint

Repaint parts where paint is worn or scratched to prevent rust. Aerosol cans and touch-up bottles with brush applicator are available through your local dealer. Also available are quart and gallon size paints. Add QT or GL to end of the Aerosol P/N.

Kubota color descriptions and part numbers are listed on the "Kubota Touch-up Paints" page in the "Decals" section of this book.



General Information

Hardware Legend

AR	As Required
BLADE	Blade Bolt
C	Cap Screw
CP	Cotter Pin
CPHSSS	Cup Point Hex Socket Set Screw
CPSHSS	Cup Point Square Head Set Screw
CPSQHSS	Cup Point Square Head Set Screw
CRFCHMS3	Cross Recess Flat Countersunk Head Machine Screw
CRPHMS	Cross Recess Pan Head Machine Screw
CRPHTFS	Cross Recess Pan Head Thread Forming
CRRHMS	Cross Recess Round Head Machine Screw
CRTHMS	Cross Recess Truss Head Machine Screw
CSNB	Countersunk Square Neck Bolt
FHMS	Flat Head Machine Screw
FTC	Full Thread Cap Screw
H	Hex Nut
HCLN	Hex Center Lock Nut
HFLCS	Hex Flange Lock Cap Screw
HFS	Hex Flange Screw
HFSLN	Hex Flange Serrated Lock Nut
HFSS	Hex Flange Serrated Screw
HHCS	Hex Head Cap Screw or Metric Bolt
HSBHCS	Hex Socket Button Head Cap Screw
HSFCHCS	Hex Socket Flat Countersunk Head Cap Screw
HSHCS	Hex Socket Head Cap Screw
HSSS	Hex Socket Head Screw
HTLN	Hex Top Lock Nut
HWHCS	Hex Washer Head Cap Screw

HWHMS	Hex Washer Head Machine Screw
HXBHCS	Hex Socket Button Head Cap Screw
J	Hex Jam Nut
JIC	37 Degree Tapered Thread
L	Helical Spring Lock Washer
LUG	Lug Bolt
NFC	National Fine Cap Screw
NPSM	National Pipe Straight Mechanical
NPTF	National Pipe Taper Fuel
P	Wide Plain Washer
PHMS	Pan Head Machine Screw
PLOW	Plow Bolt
RHMS	Round Head Machine Screw
RHSNB	Round Head Square Neck Bolt
SCREW LEVELING	Leveling Screw
SCREW THUMB	Thumb Screw
SCREW WELD	Weld Screw
SFCHMS	Slotted Flat Countersunk Head Machine Screw
SFHMS	Slotted Fillister Head Machine Screw
SP	Special
SP SCREW	Special Screw
SQHSS	Square Head Set Screw
SRHMS	Slotted Round Head Machine Screw
SSS	Socket Set Screw
STCS	Self Tapping Cap Screw
STHMS	Slotted Truss Head Machine Screw
WHEEL	Wheel Studs and Hub Long Bolts
WING	Wing Bolt

Replacement Hardware

The **Hardware Legend** above lists hardware abbreviations used in the parts list. All bolts and nuts are Grade 5 unless otherwise noted. The use of improper grades of hardware can result in personal injury, damage to equipment, or loss of property.

Part Number Service Coding

Within the parts list some part numbers are coded for revisions and interchangeability. See notations in revision column.

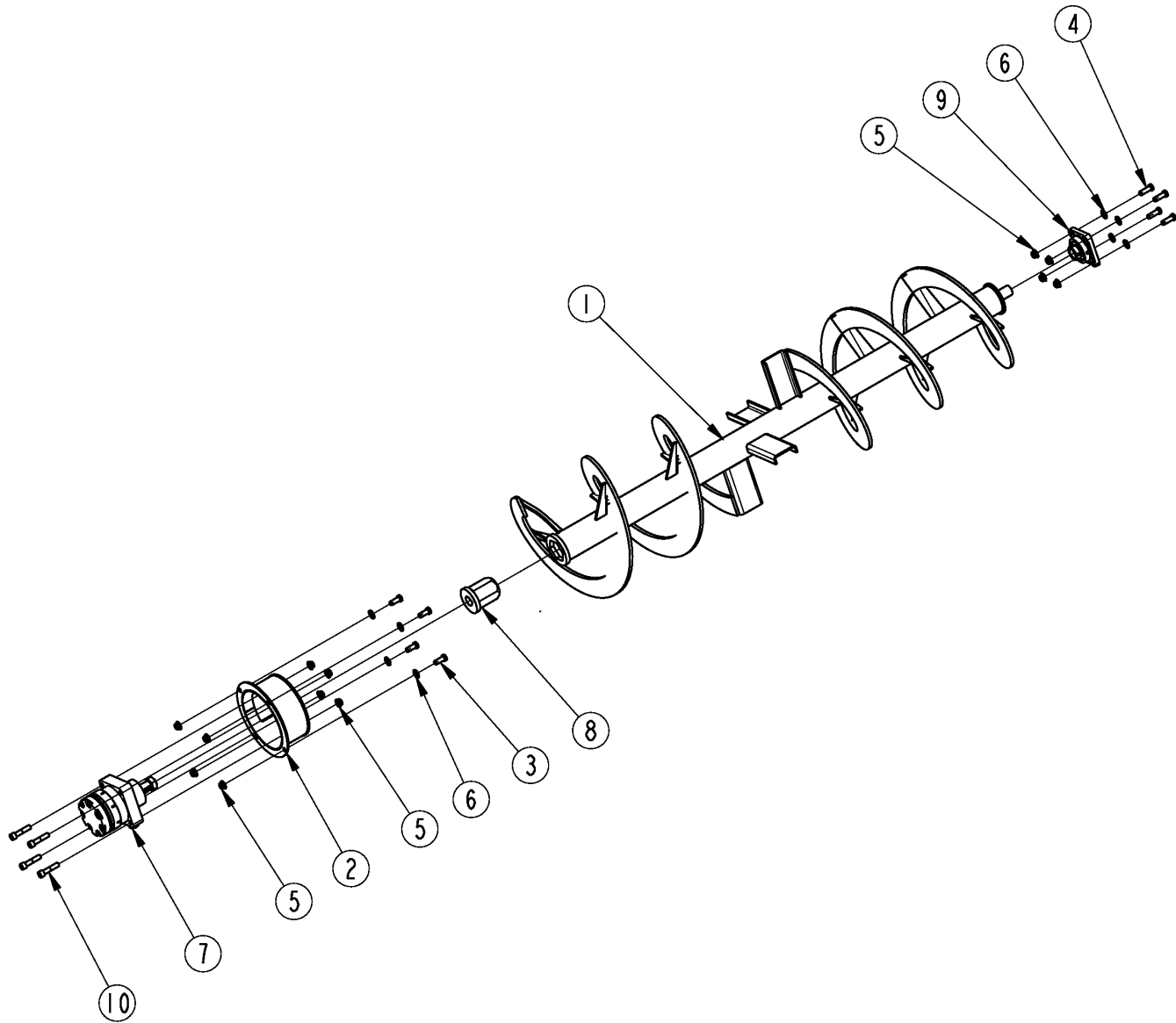
Serial Numbers

Always use the serial and model number when ordering parts. Refer to the Operator's Manual for serial number plate location.

- (S/N 20001+) Includes serial numbers 20001 and above (to the latest number)
- (S/N 10001 to 20000) Includes serial numbers between and including 10001 and 20000
- (S/N 10000-) Includes serial numbers 10000 and below (to the earliest number)

Auger Components

Applies to AP-SBL2566, AP-SBL2574, AP-SBL2584



37365

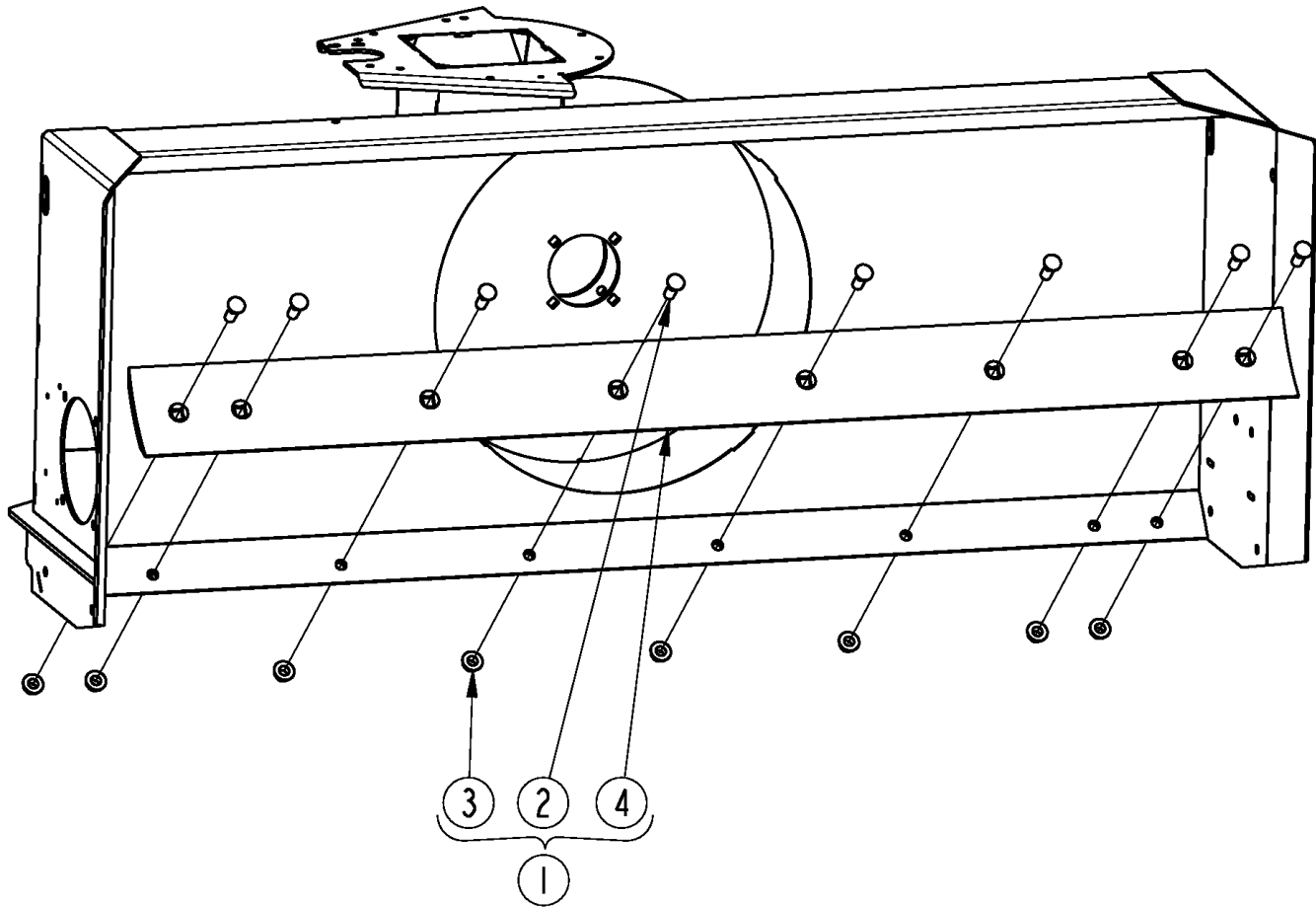
Auger Components

Applies to AP-SBL2566, AP-SBL2574, AP-SBL2584

Ref	Part No.	Part Description	Comments	Revision
	Dwg 37365	Drawing Image Number		
1.	370-214H	AUGER WELD SBL2574	SBL2574	
1.	370-353H	AUGER WELD SBL 66"	SBL2566	
1.	370-261H	AUGER WELD SBL 2584	SBL2584	
2.	370-256H	MOTOR MOUNT AUGER		
3.	802-034C	HHCS 1/2-13X1 1/4 GR5		
4.	802-091C	HHCS 1/2-13X1 1/2 GR5		
5.	803-169C	NUT HEX FLG LOCK 1/2-13 PLT		
6.	804-016C	WASHER FLAT 1/2 SAE PLT		
7.	850-254C	HYD MTR 18 CID W/KEY - RE	S/N 1019837K+	
7.	810-732C	RPBY 850-254C	S/N 1019836K- Obsolete	
8.	815-312C	HUB, HEX 2 1/2X1 1/4 TPRD BORE		
9.	822-243C	BRG 4 BOLT CAMLOCK 1.25 BORE		
10.	842-244C	HSHCS 1/2-13X2 1/4		

Cutting Edge

Applies to AP-SBL2566, AP-SBL2574, AP-SBL2584



37374

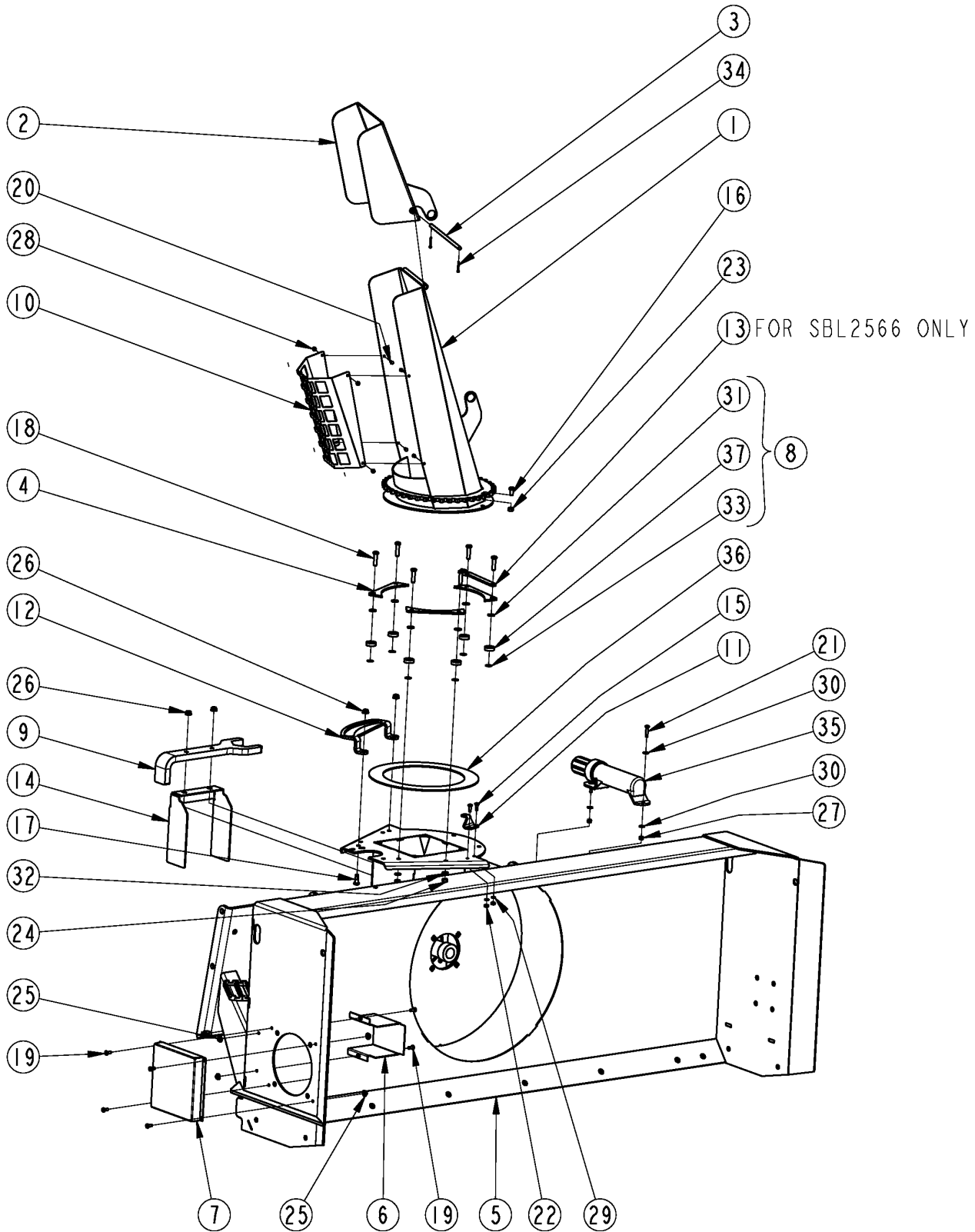
Cutting Edge

Applies to AP-SBL2566, AP-SBL2574, AP-SBL2584

Ref	Part No.	Part Description	Comments	Revision
	Dwg 37374	Drawing Image Number		
1.	370-270K	CUTTING EDGE BUNDLE SBL1574	SBL2574	
1.	370-271K	CUTTING EDGE BUNDLE SBL 84"	SBL2584	
1.	370-356K	CUTTING EDGE BUNDLE 66"	SBL2566	
2.	802-206C	PLOW 5/8-11X1 3/4 GR5		
3.	803-263C	NUT HEX FLANGE LOCK 5/8-11 PLT		
4.	820-477C	1/2X6 GRADER BLADE X 73.5"	SBL2574	
4.	820-046C	GRADER BLADE 1/2 X 6 X 83 1/2	SBL2584	
4.	820-042C	GRADER BLADE 1/2 X 6 X 65 1/2	SBL2566	

Frame & Chute

Applies to AP-SBL2566, AP-SBL2574, AP-SBL2584



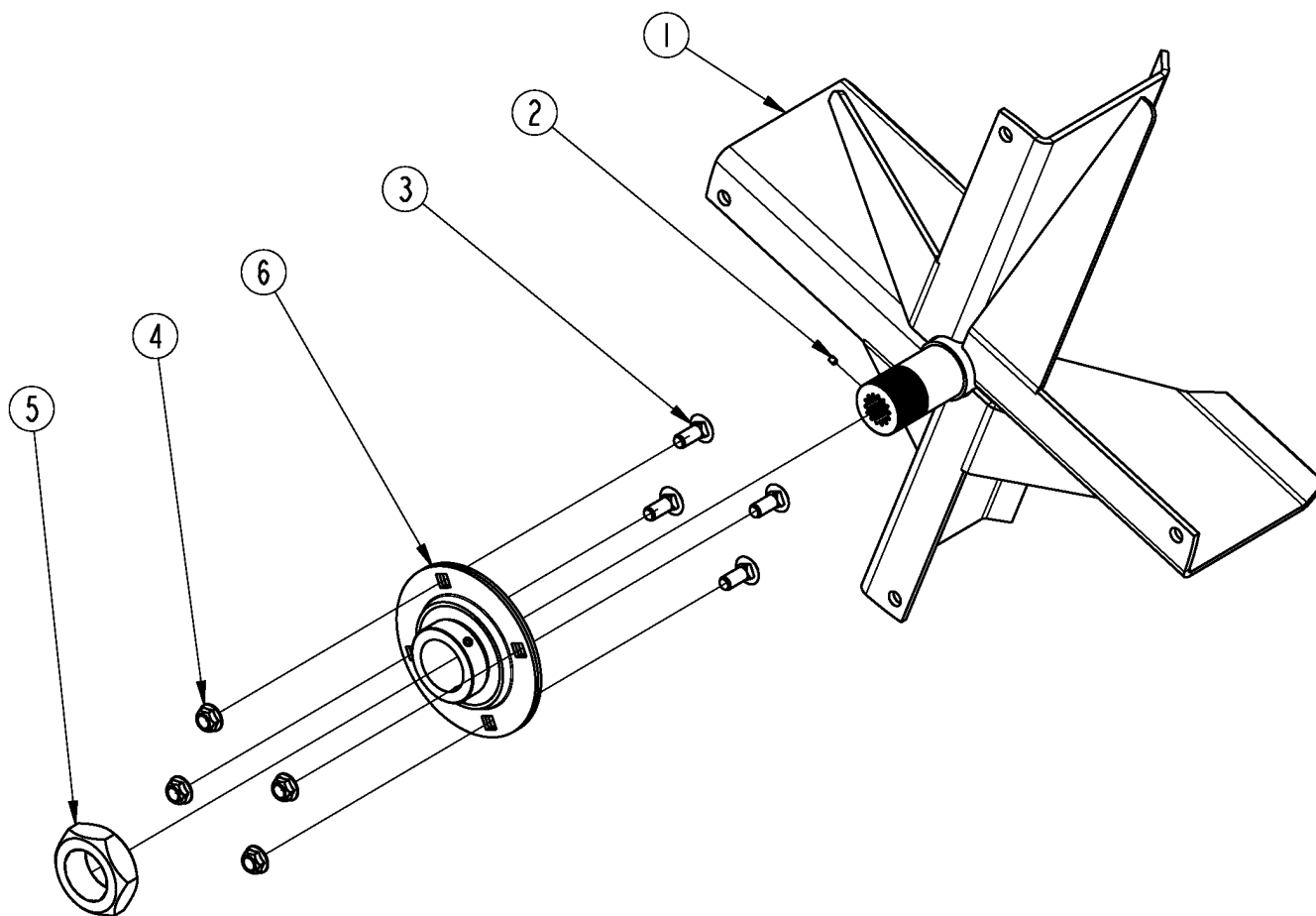
37366

Frame & Chute**Applies to AP-SBL2566, AP-SBL2574, AP-SBL2584**

Ref	Part No.	Part Description	Comments	Revision
	Dwg 37366	Drawing Image Number		
1.	370-071H	CHUTE WELD 15 SERIES	SBL2574 & SBL2584	
1.	370-085H	CHUTE WELD	SBL2566	
2.	370-072H	SPOUT WELD 15 SERIES	SBL2574 & SBL2584	
2.	370-453H	SPOUT	SBL2566	
3.	370-142D	TILT PIVOT PIN 15 SERIES	SBL2574 & SBL2584	
3.	370-061D	TILT PIVOT PIN	SBL2566	
4.	370-168D	BEARING STRAP		
5.	370-210H	FRAME WELD SBL2574	SBL2574	
5.	370-351H	FRAME WELD SBL 66"	SBL2566	
5.	370-259H	FRAME WELD SBL 2584	SBL2584	
6.	370-395D	HOSE CHANNEL	SBL2574 & SBL2584	
6.	370-636D	HOSE GUARD 66"	SBL2566	
7.	370-454D	MOTOR COVER		
8.	370-454S	CHUTE BEARING BUNDLE		
9.	370-677D	WRENCH JAM NUT		
10.	370-724D	FRONT CHUTE GUARD 15	SBL2574 & SBL2584	
10.	370-723D	FRONT CHUTE GUARD 10	SBL2566	
11.	370-728D	ROTATION STOP	SBL2574 & SBL2584	
12.	370-747D	HOSE GUIDE		
13.	370-748D	STOP BAR SBL66	SBL2566	
14.	370-803D	SBL25 IMPELLER SHAFT SHIELD		
15.	802-004C	HHCS 1/4-20X3/4 GR5		
16.	802-014C	HHCS 3/8-16X3/4 GR5		
17.	802-017C	HHCS 3/8-16X1 GR5		
18.	802-022C	HHCS 3/8-16X1 1/2 GR5		
19.	802-078C	HHCS 1/4-20X5/8 GR5		
20.	802-163C	HHCS #10-24X1/2 GR5		
21.	802-224C	HHCS 1/4-20X1 1/4 GR5		
22.	803-006C	NUT HEX 1/4-20 PLT		
23.	803-013C	NUT LOCK 3/8-16 PLT		
24.	803-014C	NUT HEX 3/8-16 PLT		
25.	803-088C	NUT HEX LOCK 1/4-20 FLG		
26.	803-209C	NUT FLANGE LOCK 3/8-16 PLT		
27.	803-255C	NUT HEX NYLOCK 1/4-20		
28.	803-268C	NUT HEX NYLOCK 10-24 PLT		
29.	804-006C	WASHER LOCK SPRING 1/4 PLT		
30.	804-007C	WASHER FLAT 1/4 SAE PLT		
31.	804-012C	WASHER FLAT 3/8 SAE PLT		
32.	804-013C	WASHER LOCK SPRING 3/8 PLT		
33.	804-239C	WASHER MACH .379IDX.75ODX.015		
34.	805-363C	PIN COTTER 1/8 X 1		
35.	816-504C	MANUAL STORAGE CONTAINER		
36.	817-871C	CHUTE BEARING UHMW 10"		
37.	822-253C	BRG, .393 ID X 1.181 OD X .354		

Impeller Components

Applies to AP-SBL2566, AP-SBL2574, AP-SBL2584



37367

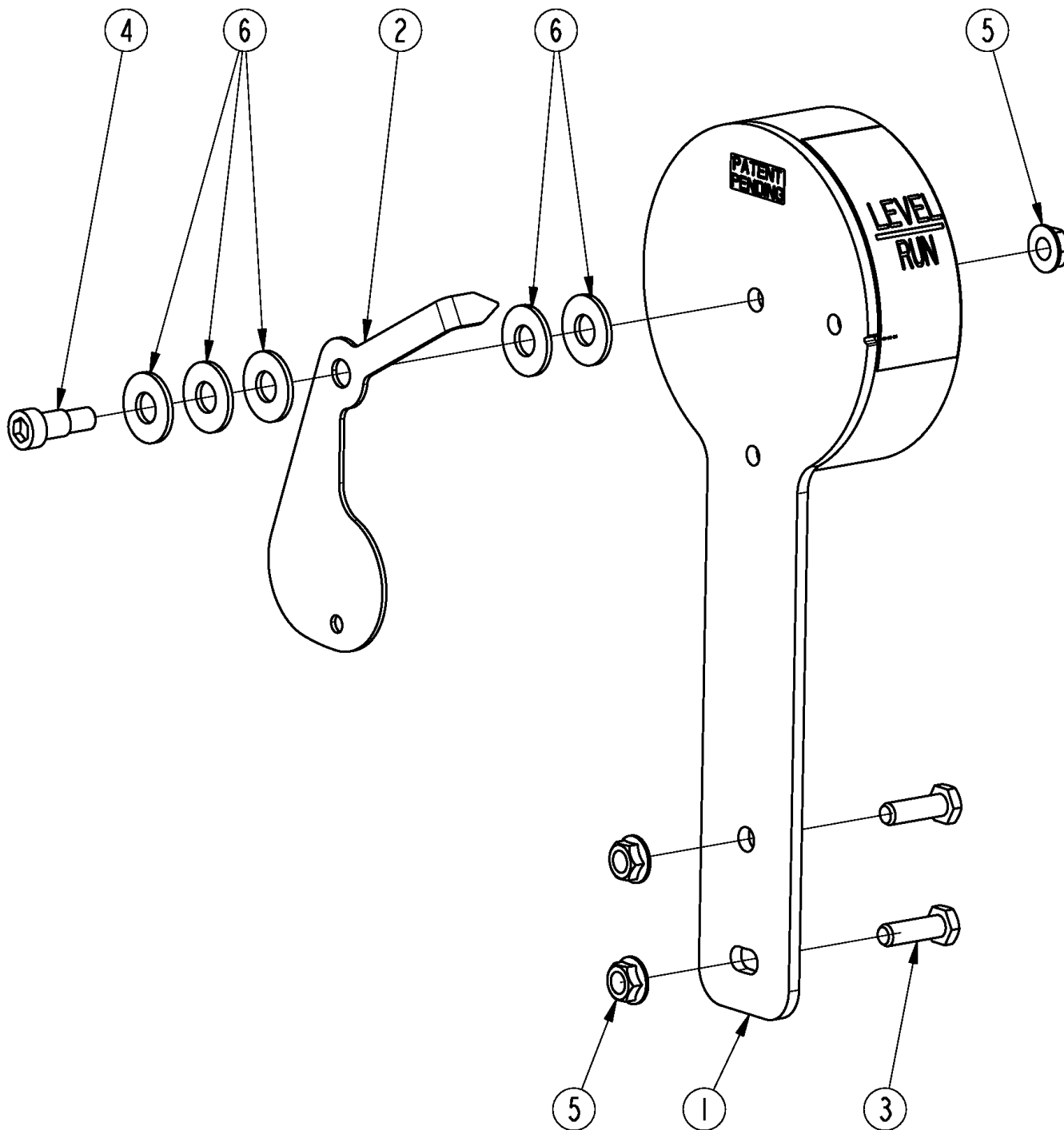
Impeller Components

Applies to AP-SBL2566, AP-SBL2574, AP-SBL2584

Ref	Part No.	Part Description	Comments	Revision
	Dwg 37367	Drawing Image Number		
1.	370-265H	IMPELLER WELD SBL	SBL2574 & SBL2584	
1.	370-355H	IMPELLER WELD SBL 66"	SBL2566	
2.	801-019C	SCREW SET SH 1/4-20 X 1/4 LG.		
3.	802-214C	RHSNB 1/2-13X1 1/4 GR5		
4.	803-169C	NUT HEX FLG LOCK 1/2-13 PLT		
5.	803-406C	NUT HEX JAM 2-12 UNF PLT		
6.	822-310C	BRG W/FLG 2.00ID 4-BOLT		

Level Run Indicator

Applies to AP-SBL2566, AP-SBL2574, AP-SBL2584



37381

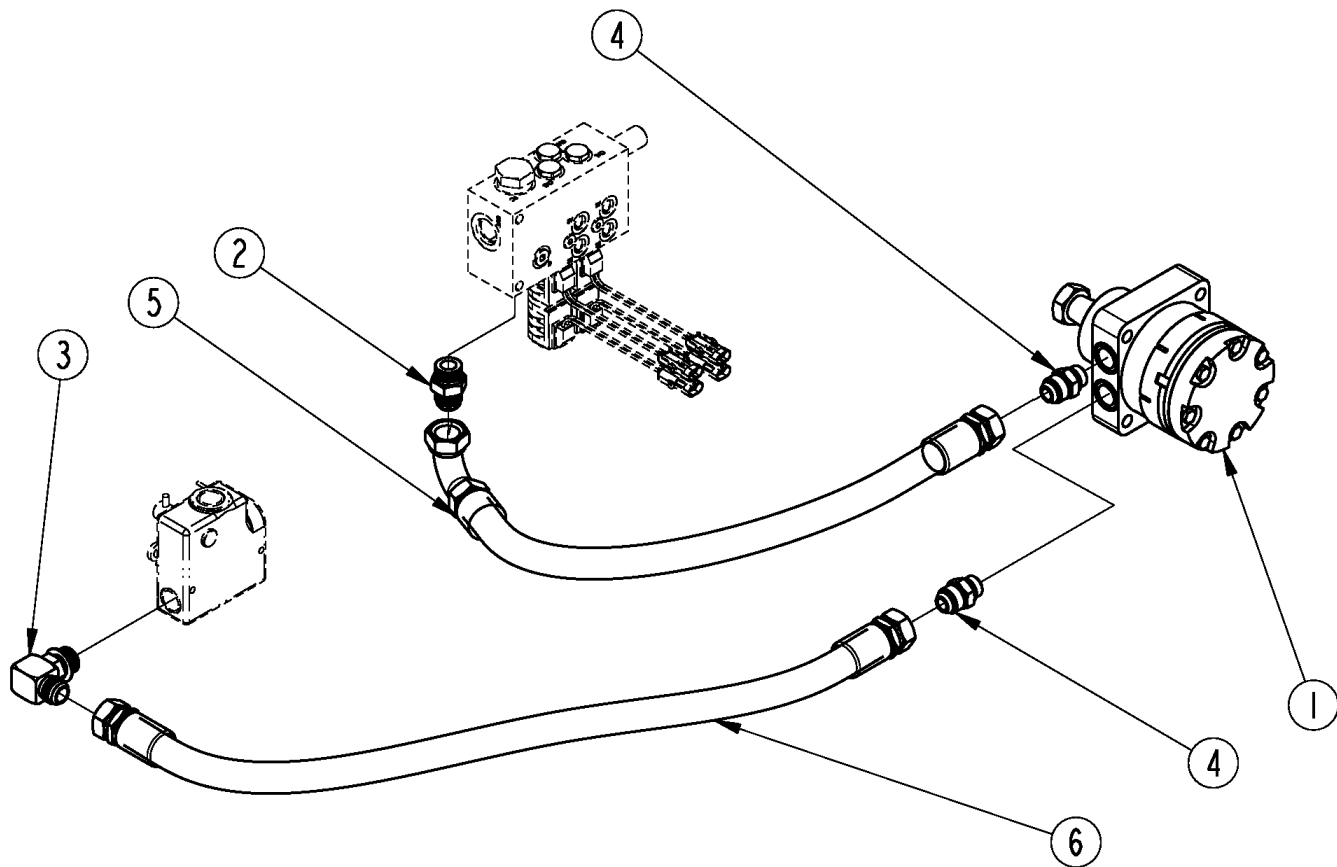
Level Run Indicator

Applies to AP-SBL2566, AP-SBL2574, AP-SBL2584

Ref	Part No.	Part Description	Comments	Revision
	Dwg 37381	Drawing Image Number		
1.	321-098H	DEPTH INDICATOR SUPPORT WLDMT		
2.	321-134D	WEIGHTED INDICATOR		
3.	802-159C	HHCS 5/16-18X1 GR5		
4.	802-794C	SHOULDER BOLT 3/8X1/2X5/16-18		
5.	803-043C	NUT HEX WHIZ 5/16-18 PLT		
6.	804-011C	WASHER FLAT 3/8 USS PLT		

Auger Drive Hydraulics

Applies to AP-SBL2566, AP-SBL2574, AP-SBL2584



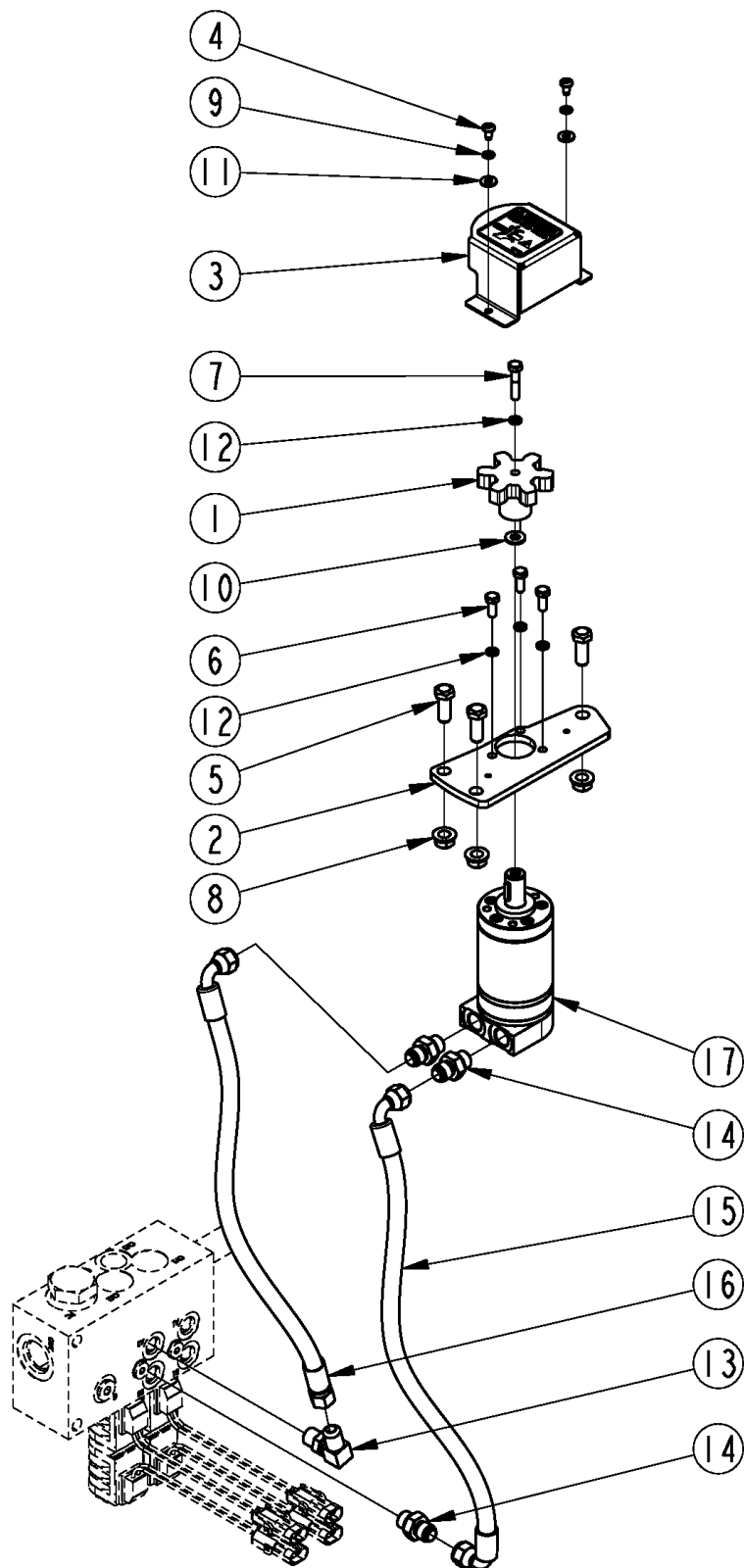
37368

Auger Drive Hydraulics**Applies to AP-SBL2566, AP-SBL2574, AP-SBL2584**

Ref	Part No.	Part Description	Comments	Revision
	Dwg 37368	Drawing Image Number		
1.	850-254C	HYD MTR 18 CID W/KEY - RE	S/N 1019837K+	
1.	810-732C	RPBY 850-254C	S/N 1019836K- Obsolete	
2.	811-408C	AD 1 1/16MORB 1 1/16MJIC		
3.	811-411C	EL 1 1/16MJIC 1 1/16MORB		
4.	811-763C	AD 7/8MORB 1 1/16MJIC		
5.	841-649C	HH3/4R2 29.38 1.06FJIC(1)90	SBL2574	
5.	841-671C	HH3/4R2 33.84 1.06FJIC(1)90	SBL2584	
5.	841-904C	HH3/4R16 26 1.06FJIC(1)90	SBL2566	
6.	841-650C	HH3/4R2 36.62 1.06FJIC	SBL2574	
6.	841-672C	HH3/4R2 40.01 1.06FJIC	SBL2584	
6.	841-905C	HH3/4R16 30.8 1.06FJIC	SBL2566	

Chute Rotation Hydraulics

Applies to AP-SBL2566, AP-SBL2574, AP-SBL2584



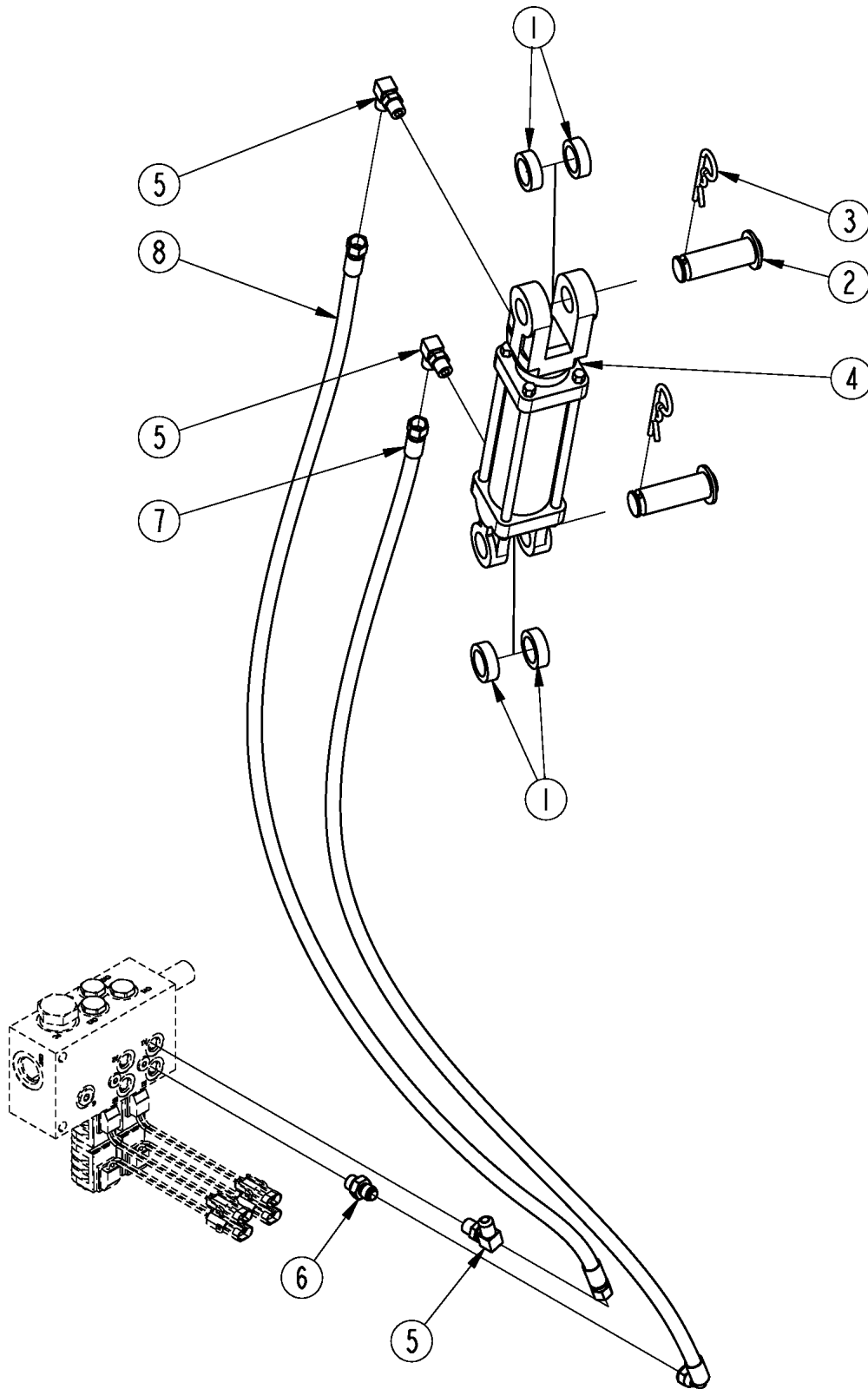
37369

Chute Rotation Hydraulics**Applies to AP-SBL2566, AP-SBL2574, AP-SBL2584**

Ref	Part No.	Part Description	Comments	Revision
	Dwg 37369	Drawing Image Number		
1.	370-392H	ROTATION GEAR		
2.	370-699D	MOTOR MOUNT		
3.	370-705D	GEAR GUARD		
4.	801-171C	SCREW PAN HD 10-24X3/8 TYPE F		
5.	802-017C	HHCS 3/8-16X1 GR5		
6.	802-741C	HHCS M6X1X16 GR8.8 PLT		
7.	802-954C	HHCS M6X1X30 GR8.8		
8.	803-209C	NUT FLANGE LOCK 3/8-16 PLT		
9.	804-004C	WASHER INTERNAL STAR #10 PLT		
10.	804-007C	WASHER FLAT 1/4 SAE PLT		
11.	804-046C	WASHER FLAT #10 SAE PLT		
12.	804-226C	WASHER LOCK M6 PLT		
13.	811-065C	EL 9/16MJIC 9/16MORB		
14.	811-170C	AD 9/16MORB 9/16MJIC		
15.	841-603C	HH1/4R2 17.8 .56FJICSWPT90		
16.	841-610C	HH1/4R2 16.23 .56FJIC/SWPT90		
17.	850-025C	HYD MOTOR 1.93 CUIN/REV		

Chute Tilt Hydraulics

Applies to AP-SBL2566, AP-SBL2574, AP-SBL2584



37370

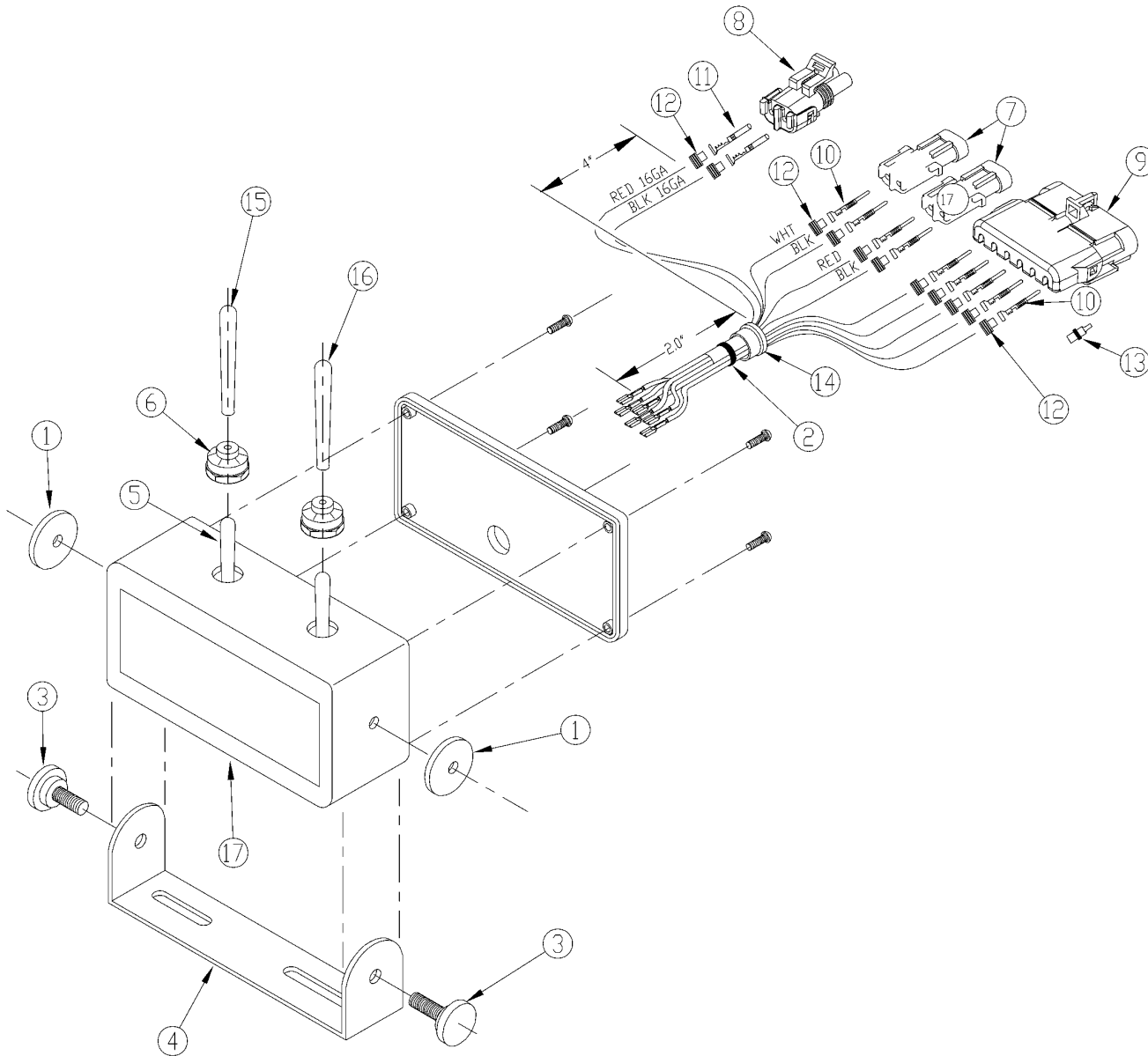
Chute Tilt Hydraulics

Applies to AP-SBL2566, AP-SBL2574, AP-SBL2584

Ref	Part No.	Part Description	Comments	Revision
	Dwg 37370	Drawing Image Number		
1.	370-843D	CTLINDER SPACER		
2.	805-004C	PIN CLVS 1.0X2.75 USBL		
3.	805-088C	PIN, HAIR COTTER 3/16 WIRE DIA		
4.	810-125C	CYL 2X4X1.12 ROD DBL ACTING		
5.	811-065C	EL 9/16MJIC 9/16MORB		
6.	811-170C	AD 9/16MORB 9/16MJIC		
7.	851-401C	HH1/4R2 47.6 9/16FJIC(1)90		
8.	851-402C	HH1/4R2 52.1 9/16 FJIC		

Control Box (823-377C)

Applies to AP-SBL2566, AP-SBL2574, AP-SBL2584



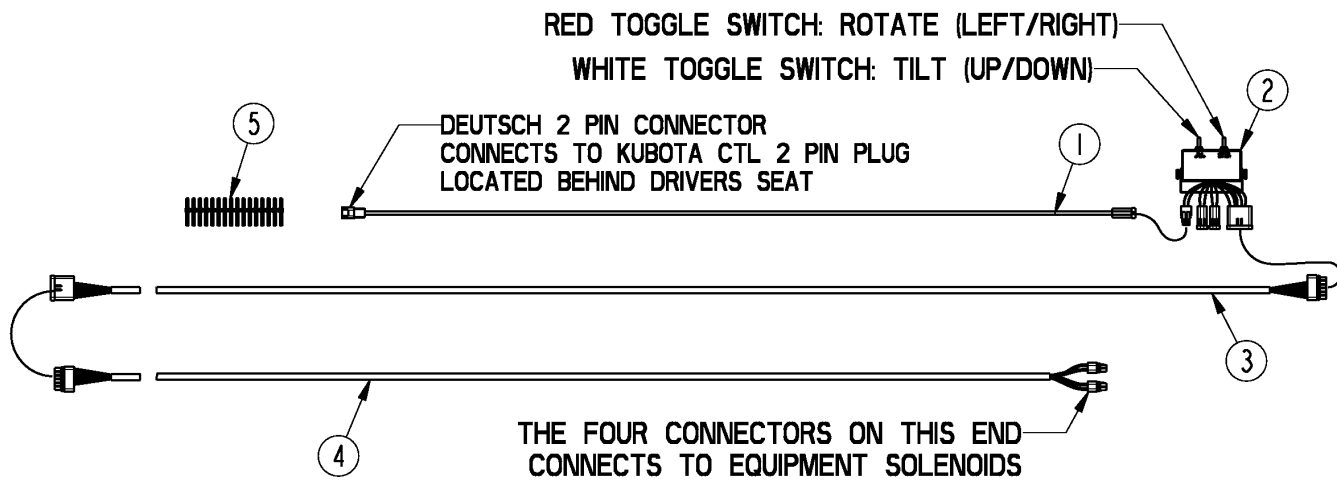
33091

Control Box (823-377C)**Applies to AP-SBL2566, AP-SBL2574, AP-SBL2584**

Ref	Part No.	Part Description	Comments	Revision
	Dwg 33091 823-377C	Drawing Image Number CONTROL BOX SNOW BLOWER *		
1.	213-005	FASSE WSHR RBR1ODX1/4IDX1/16TK		
2.	800-303C	CABLE TIE 2 DIA MIN - BLK		
3.	219-007	FASSE SCR THUMB BLK 1/4-20X1/2		
4.	219-009	FASSE BRKT ALM 4.70 #1591C		
5.	250-007	FASSE SW TOG DPDT 3P MOM SHORT		
6.	250-023	FASSE SW TOG BOOT OPN BLK		
7.	255-092	FASSE CNTR WP 2 PIN SHROUD		
8.	255-093	WEATHERPACK CTR 2 PIN SHROUD		
9.	255-098	CNTR WP 6 PIN SHROUD		
10.	255-102	WEATHERPACK CTR MALE TRM 14/16		
11.	255-103	WEATHERPACK CNTR F TRM 14/16		
12.	255-104	WEATHERPACK CNTR CABLE SEAL GR		
13.	255-186	CNTR WP CAVITY PLUG		
14.	259-001	FASSE GROMMET .5000D SNAP		
15.	259-004	FASSE SW TOG GRP VNYL WHT .187		
16.	259-005	FASSE SW TOG GRP VNYL RED .187		
17.	304-345	ECL 1591CBK/6060A-2X1/2SWSXTSX		

Control Harness Kubota Skid W/ 2-Pin Power Supply

Applies to AP-SBL2566, AP-SBL2574, AP-SBL2584



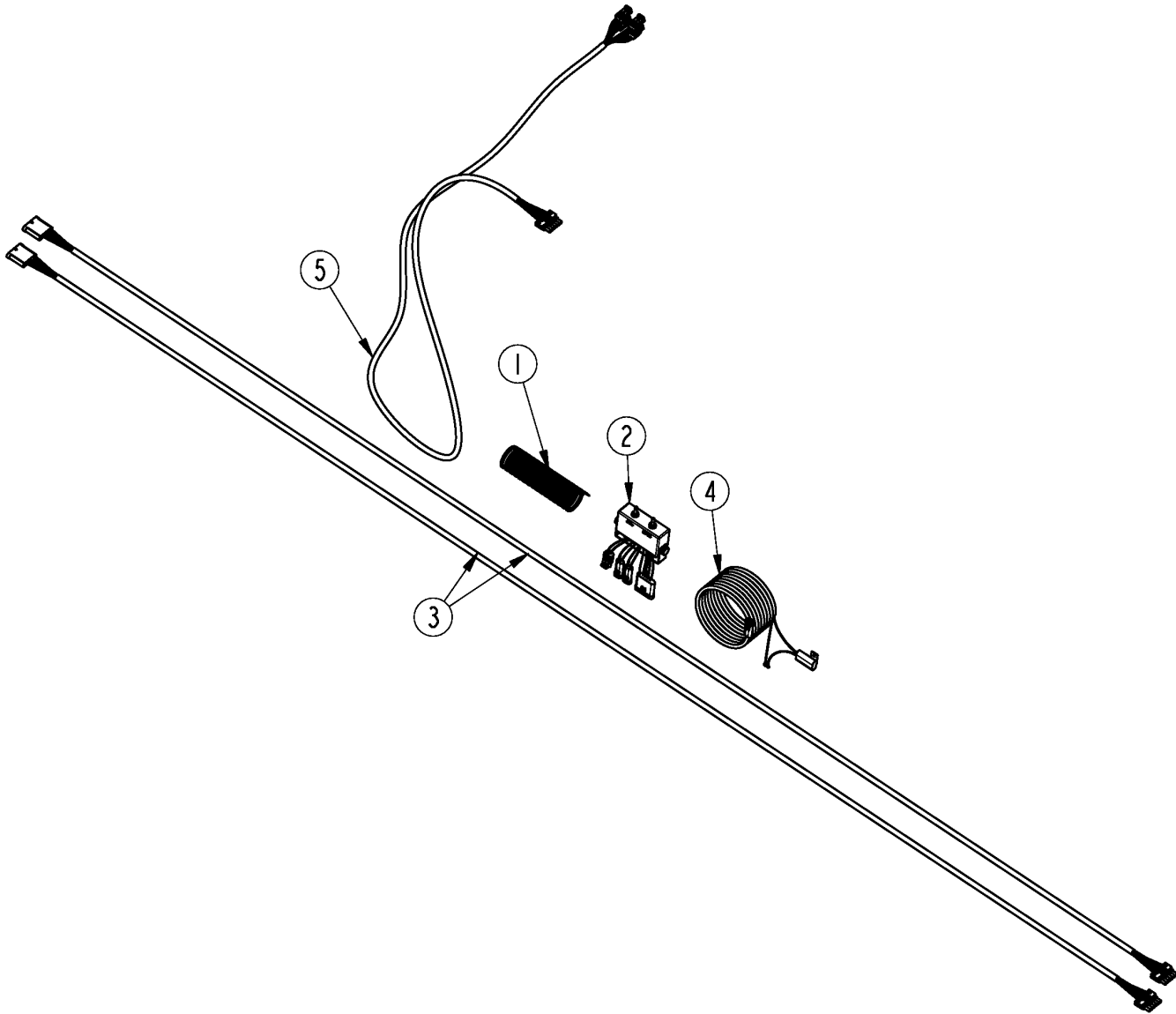
Control Harness Kubota Skid W/ 2-Pin Power Supply

Applies to AP-SBL2566, AP-SBL2574, AP-SBL2584

Ref	Part No.	Part Description	Comments	Revision
	Dwg 37144 370-434A	Drawing Image Number CONTROL HARNESS KUBOTA SKID *		
1.	823-439C	HRN DTP04-2P 14GA 2WPS /5'		
2.	823-377C	CONTROL BOX 2 PRIORITY		
3.	823-385C	HARNESS EXTENSION		
4.	823-405C	HARNESS SOLENOID 2 PRIORITY		
5.	800-112C	CABLE TIE .19X7.25 1.75D 50LB		

Control Harness Skid

Applies to AP-SBL2566, AP-SBL2574, AP-SBL2584



35578

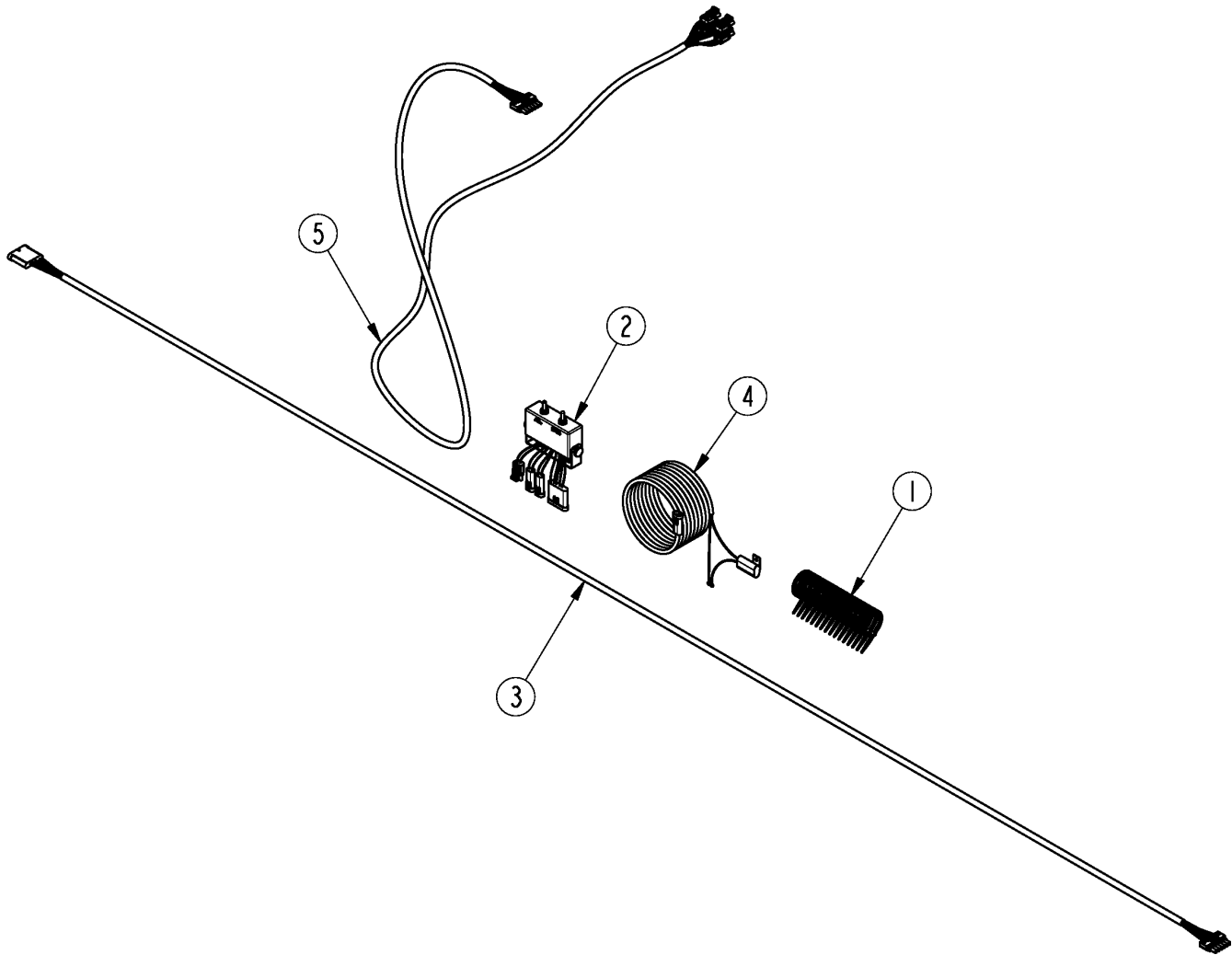
Control Harness Skid

Applies to AP-SBL2566, AP-SBL2574, AP-SBL2584

Ref	Part No.	Part Description	Comments	Revision
	Dwg 35578 370-134A	Drawing Image Number BTRY CONNECT W/SWITCH *		
1.	800-112C	CABLE TIE .19X7.25 1.75D 50LB		
2.	823-377C	CONTROL BOX 2 PRIORITY		
3.	823-385C	HARNESS EXTENSION		
4.	823-386C	HARNESS, POWER		
5.	823-405C	HARNESS SOLENOID 2 PRIORITY		

Control Harness Tractor

Applies to AP-SBL2566, AP-SBL2574, AP-SBL2584



35577

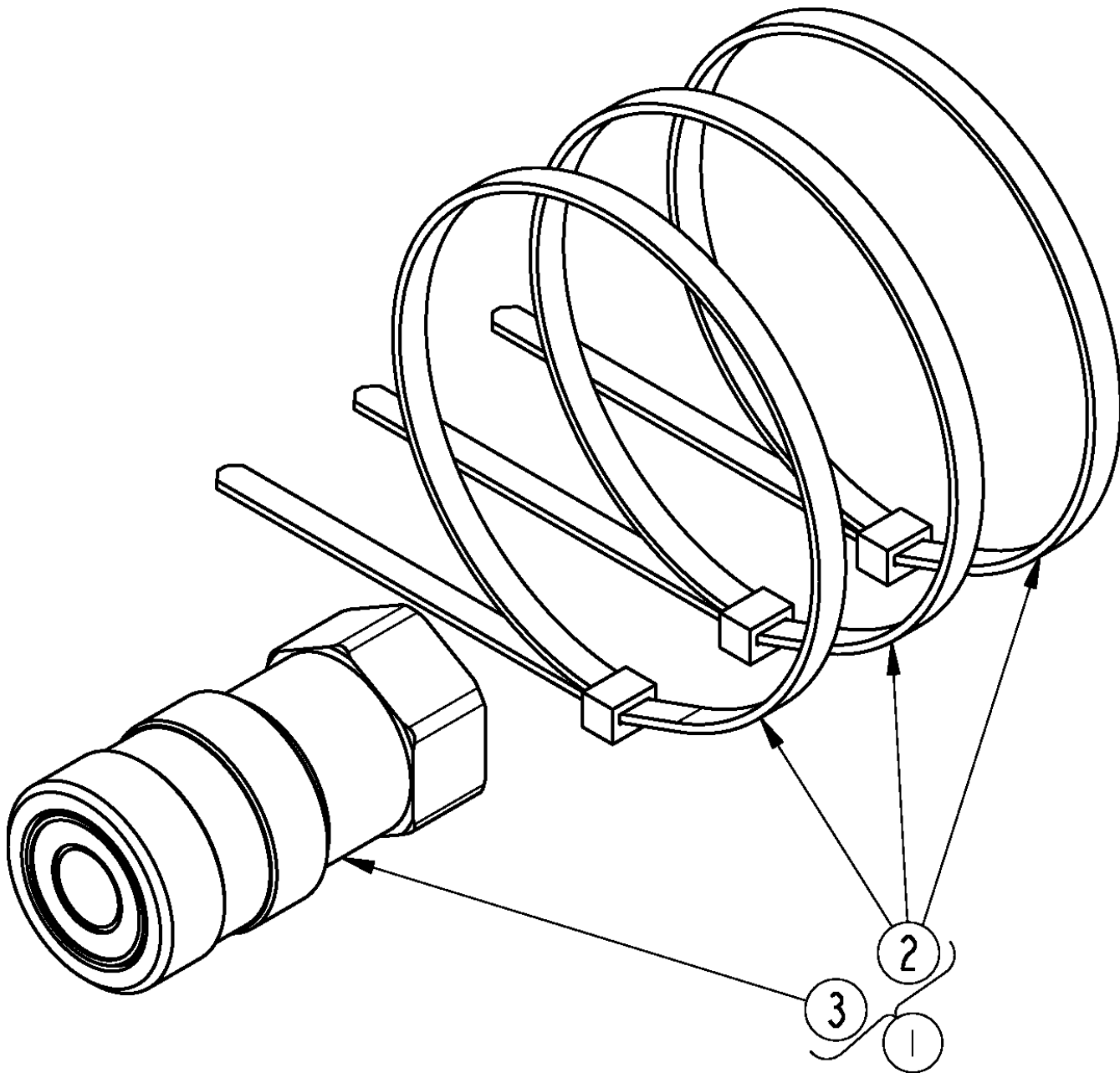
Control Harness Tractor

Applies to AP-SBL2566, AP-SBL2574, AP-SBL2584

Ref	Part No.	Part Description	Comments	Revision
	Dwg 35577 370-133A	Drawing Image Number CONTROL HARNESS TRACTOR *		
1.	800-112C	CABLE TIE .19X7.25 1.75D 50LB		
2.	823-377C	CONTROL BOX 2 PRIORITY		
3.	823-385C	HARNESS EXTENSION		
4.	823-386C	HARNESS, POWER		
5.	823-405C	HARNESS SOLENOID 2 PRIORITY		

CTL Case Drain Coupler Package

Applies to AP-SBL2566, AP-SBL2574, AP-SBL2584



35611

CTL Case Drain Coupler Package

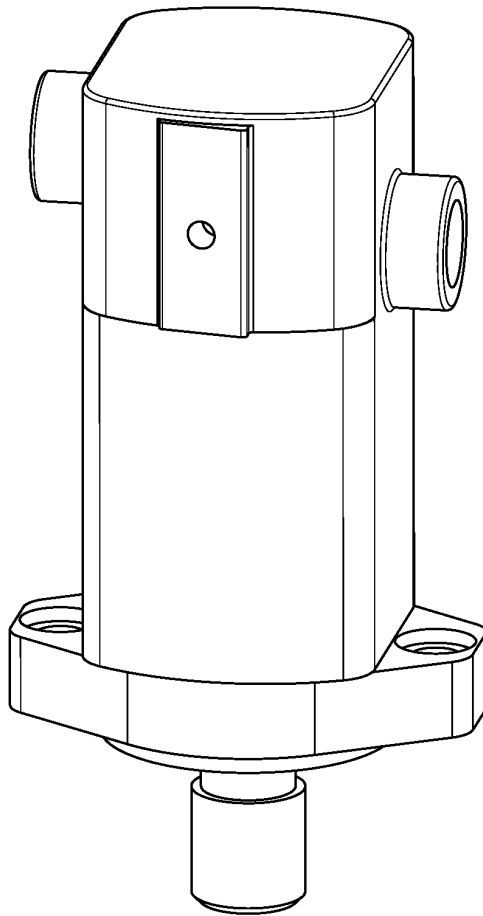
Applies to AP-SBL2566, AP-SBL2574, AP-SBL2584

Ref	Part No.	Part Description	Comments	Revision
	Dwg 35611	Drawing Image Number		
1.	326-474A	CTL/SS COUPLER PACKAGE		
2.	800-060C	CABLE TIE .19X14.25 3DIA 50LB		
3.	841-539C	CP 3/8 FEMALE QD 3/8FNPT		

Eaton Hydraulic Motor 5.5 Cubic Inch (850-026C)

Applies to AP-SBL2566, AP-SBL2574

NO PARTS AVAILABLE FOR THIS MOTOR AT THIS TIME



Eaton Hydraulic Motor 5.5 Cubic Inch (850-026C)

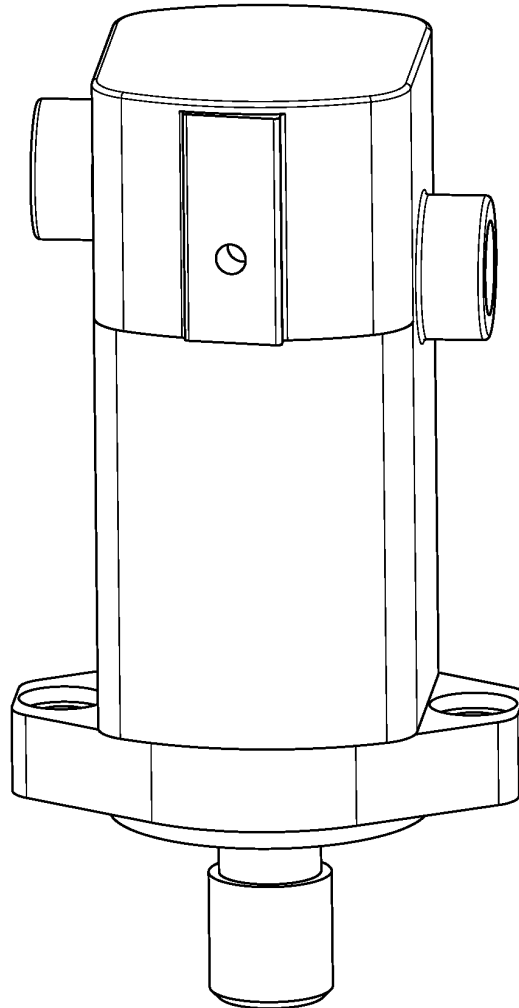
Applies to AP-SBL2566, AP-SBL2574

No Parts List associated with this diagram

Eaton Hydraulic Motor 7.9 Cubic Inch (850-029C)

Applies to AP-SBL2566, AP-SBL2574

NO PARTS AVAILABLE FOR THIS MOTOR AT THIS TIME



39270

Eaton Hydraulic Motor 7.9 Cubic Inch (850-029C)

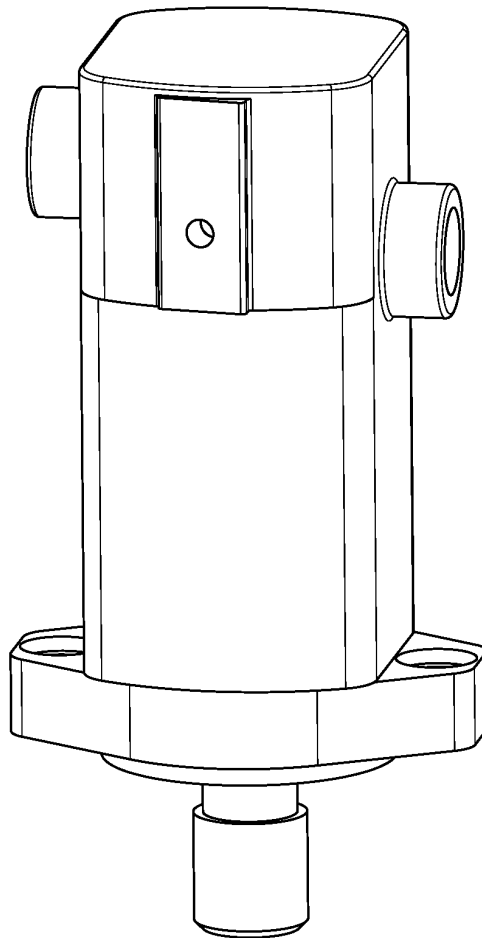
Applies to AP-SBL2566, AP-SBL2574

No Parts List associated with this diagram

Eaton Hydraulic Motor 9.7 Cubic Inch (850-030C)

Applies to AP-SBL2566, AP-SBL2574

NO PARTS AVAILABLE FOR THIS MOTOR AT THIS TIME



39271

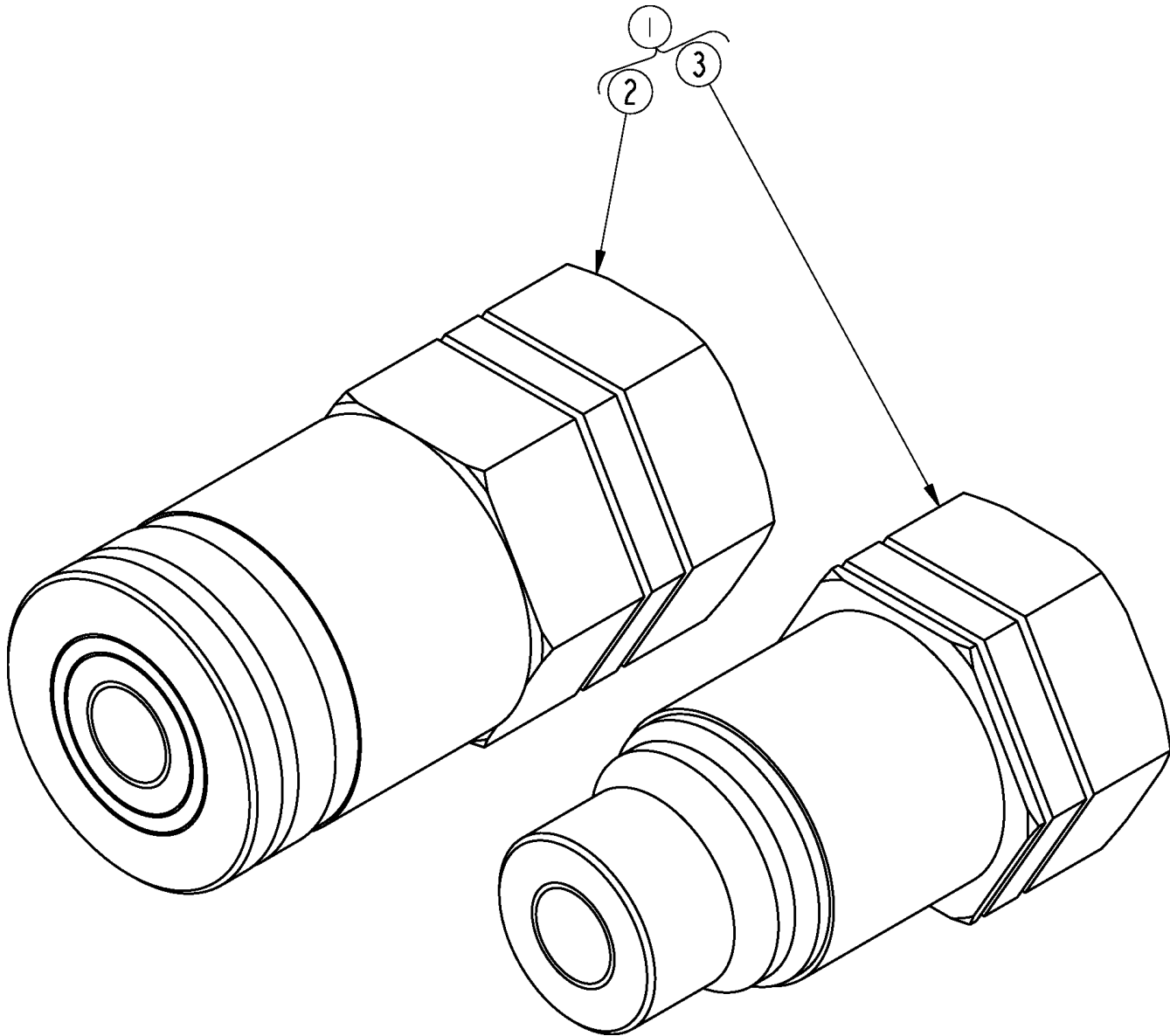
Eaton Hydraulic Motor 9.7 Cubic Inch (850-030C)

Applies to AP-SBL2566, AP-SBL2574

No Parts List associated with this diagram

Flat Faced Couplers Large

Applies to AP-SBL2584



35576

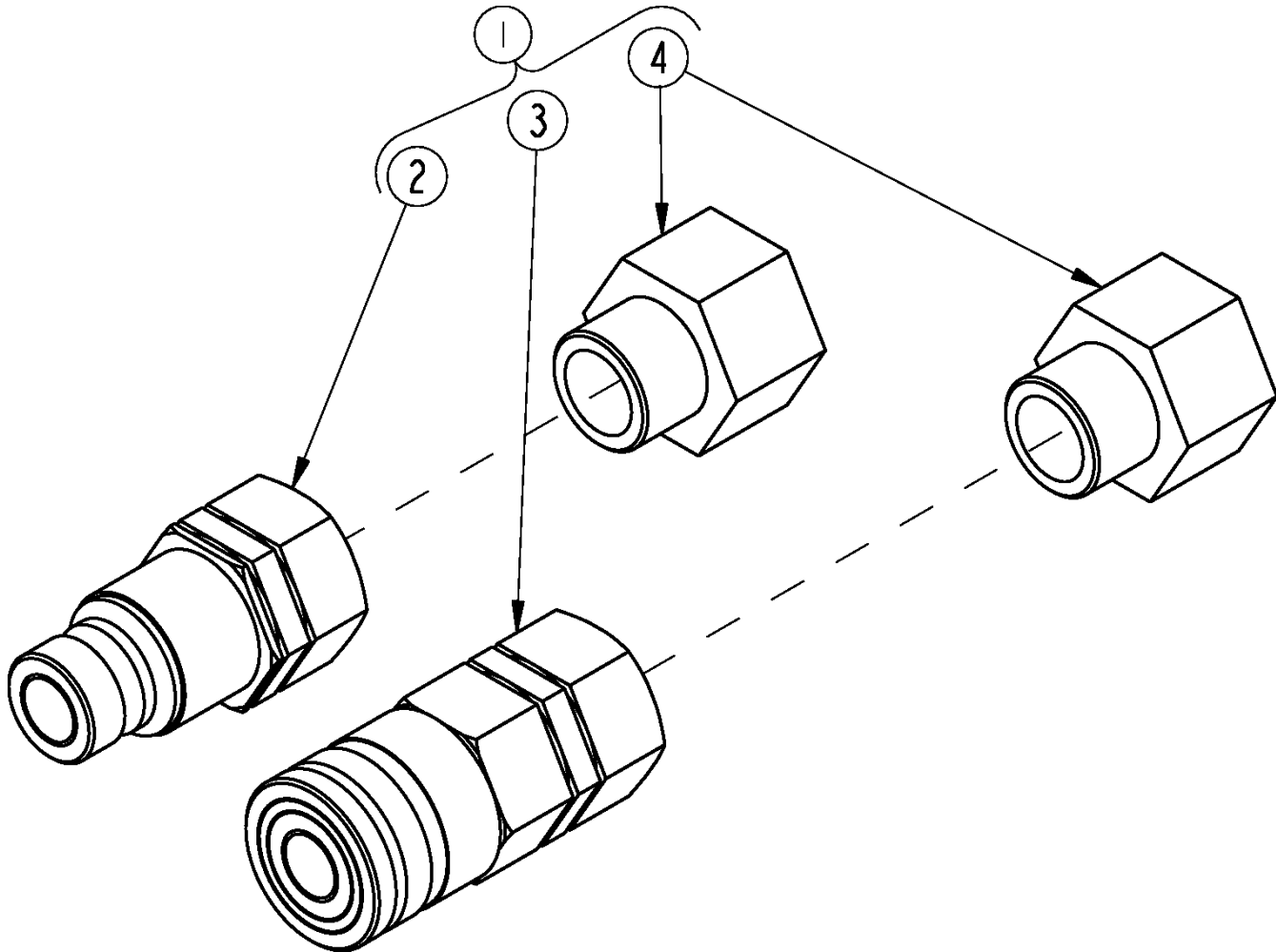
Flat Faced Couplers Large

Applies to AP-SBL2584

Ref	Part No.	Part Description	Comments	Revision
	Dwg 35576	Drawing Image Number		
1.	316-289A	LARGE FLAT FACED COUPLERS		
2.	841-957C	CP 1 5/16FORB FEMALE QD		
3.	841-958C	CP 1 5/16FORB MALE QD		

Flat Faced Couplers Small

Applies to AP-SBL2566, AP-SBL2574



35575

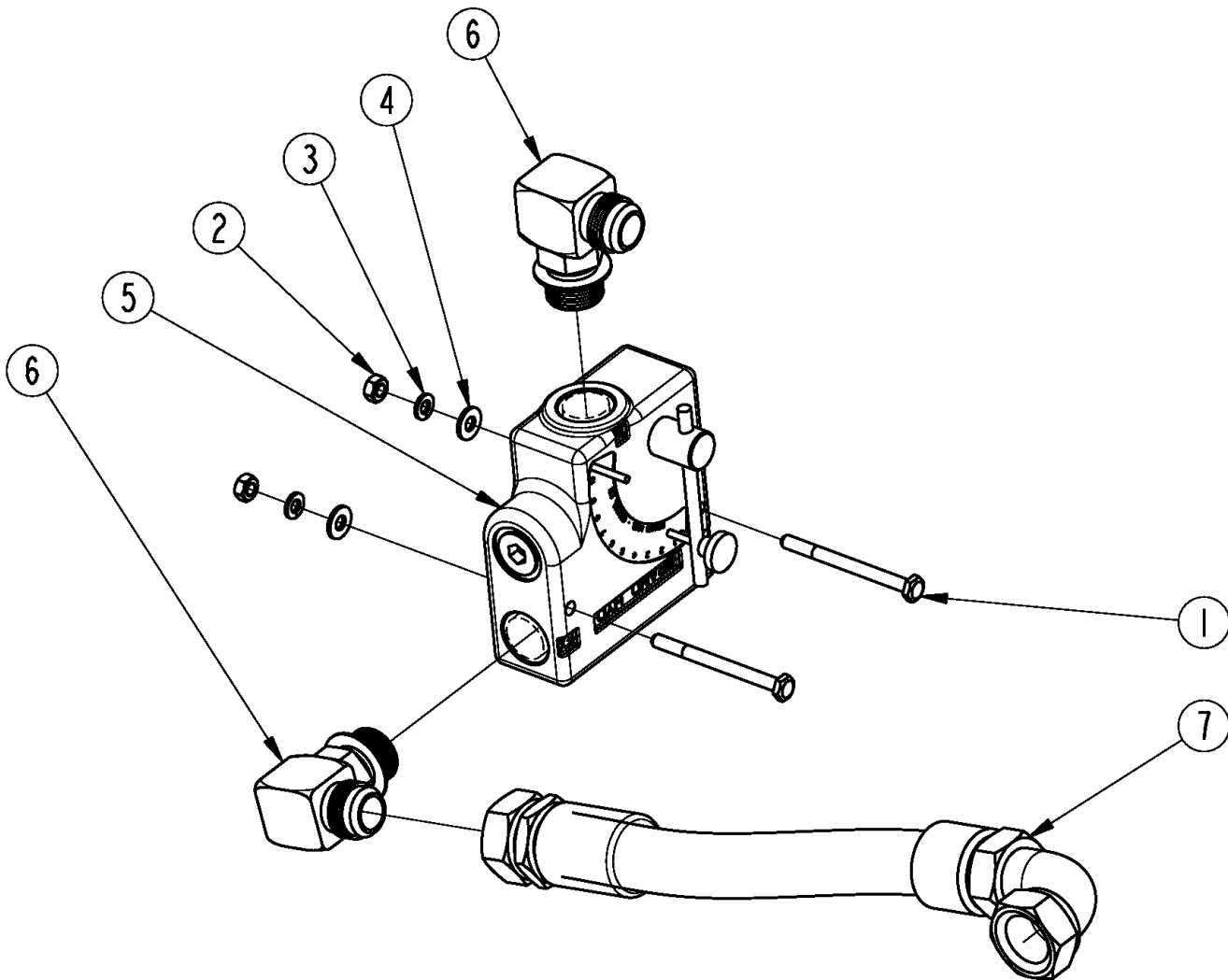
Flat Faced Couplers Small

Applies to AP-SBL2566, AP-SBL2574

Ref	Part No.	Part Description	Comments	Revision
	Dwg 35575	Drawing Image Number		
1.	316-290A	SMALL FLAT FACED COUPLERS		
2.	851-947C	CUP 1 1/16FORB MALE QUICK CPLR		
2.	811-744C	RPBY 851-947C	Obsolete	
3.	851-948C	CUP 1 1/16FORB FML QUICK CPLR		
3.	811-745C	RPBY 851-948C	Obsolete	
4.	851-102C	AD 1 5/16FORB 1 1/16MORB		

Flow Control Valve, Hose & Fittings

Applies to AP-SBL2566, AP-SBL2574, AP-SBL2584



37377

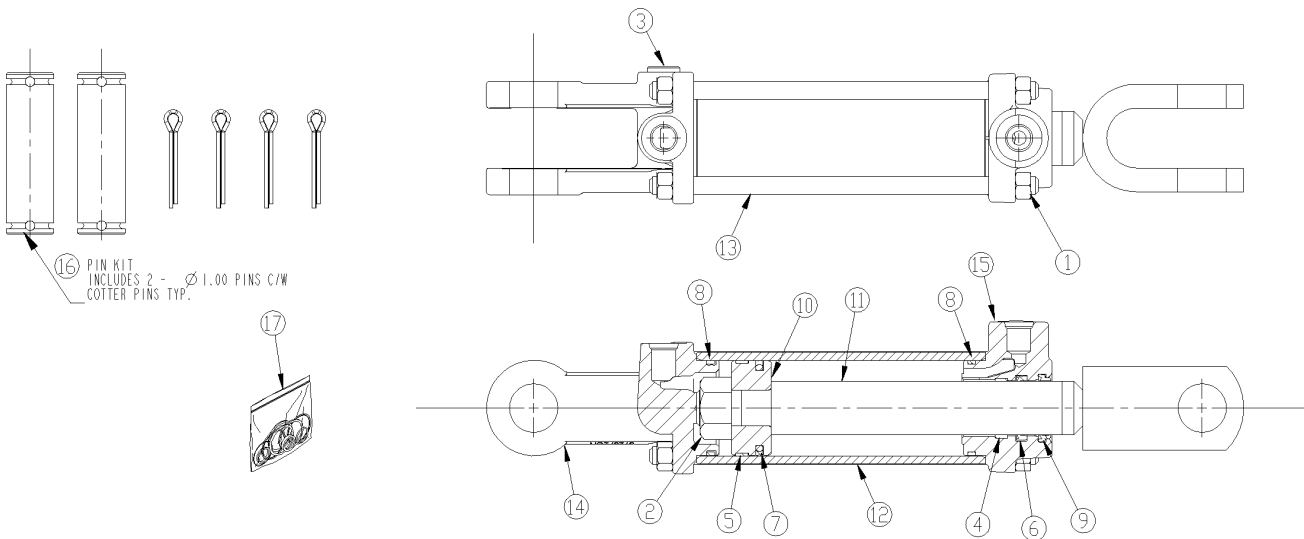
Flow Control Valve, Hose & Fittings

Applies to AP-SBL2566, AP-SBL2574, AP-SBL2584

Ref	Part No.	Part Description	Comments	Revision
	Dwg 37377	Drawing Image Number		
1.	802-274C	HHCS 1/4-20X3 GR5		
2.	803-006C	NUT HEX 1/4-20 PLT		
3.	804-006C	WASHER LOCK SPRING 1/4 PLT		
4.	804-007C	WASHER FLAT 1/4 SAE PLT		
5.	810-836C	VALVE FLOW CONTROL		
6.	811-411C	EL 1 1/16MJIC 1 1/16MORB		
7.	841-656C	HH3/4R2 13.5 1.06FJIC(1)90		

Hydraulic Cylinder Double Acting (810-125C) Lion

Applies to AP-SBL2566, AP-SBL2574



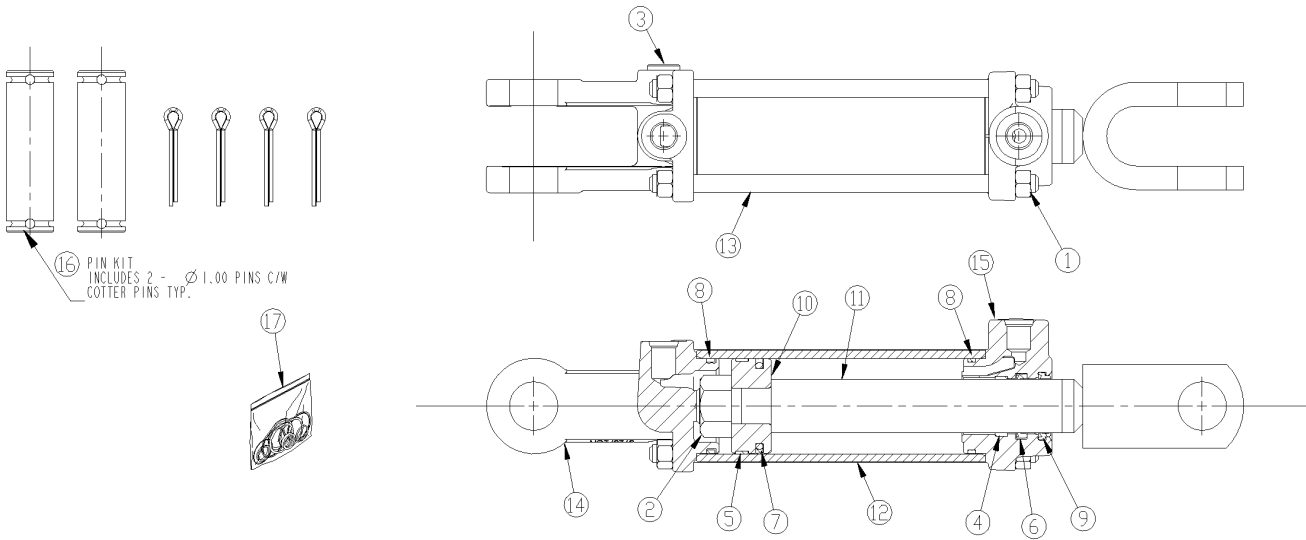
13565

Hydraulic Cylinder Double Acting (810-125C) Lion**Applies to AP-SBL2566, AP-SBL2574**

Ref	Part No.	Part Description	Comments	Revision
	dwg13565	Drawing Image Number		
	810-125C	CYL 2X4X1.12 ROD DBL ACTING *		
1.	803-014C	NUT HEX 3/8-16 PLT		
2.	130556	MON PISTON NUT		
3.	186561	PLUG 9/16-18UNF MORB SOCKET HD		
4.	N/A	MON WEAR RING 1.25-1.13-0.250	In Seal Kit Item #17	
5.	N/A	MON WEAR RING 2.00-1.88-0.260	In Seal Kit Item #17	
6.	N/A	MON SEAL ZURCON U-CUP RU9 1.13	In Seal Kit Item #17	
7.	N/A	MON SEAL ZURCON WYNSEAL 2.00	In Seal Kit Item #17	
8.	N/A	MON SEAL DUAL 2.00-.170	In Seal Kit Item #17	
9.	N/A	MON SEAL WIPER 1.13 WNUC TSS	In Seal Kit Item #17	
10.	258851	MON PISTON 2.00-.75-TSS-ISO-WR		
11.	437208	LION ROD WLDMT 1 1/8X4 STROKE		
12.	491604	LION CYL. TUBE 2 X 4		
13.	492214	MON TIE ROD 3/8-04		
14.	492669	MON CLEVS CAP 2.00-9/16ORB-1.0		
15.	494382	MON ROD CAP 2.0-1.12-9/16ORB-TS		
16.	235005	MON PIN KIT 1.00C/W COTTER PIN		
17.	810-883C	MON SEAL KIT 620271		

Hydraulic Cylinder Double Acting (810-125C) Lion

Applies to AP-SBL2584



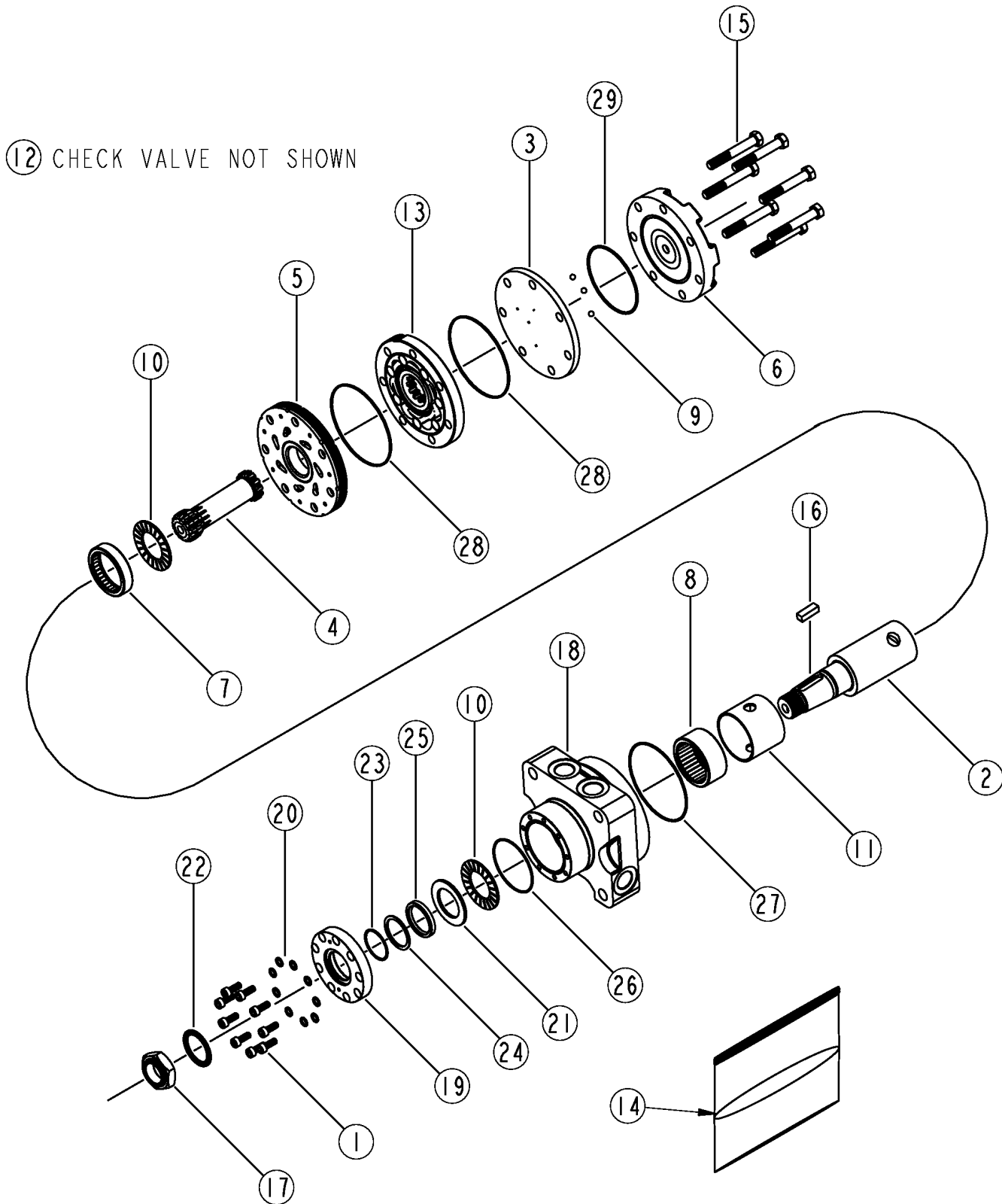
13565

Hydraulic Cylinder Double Acting (810-125C) Lion**Applies to AP-SBL2584**

Ref	Part No.	Part Description	Comments	Revision
	dwg13565	Drawing Image Number		
	810-125C	CYL 2X4X1.12 ROD DBL ACTING *		
1.	803-014C	NUT HEX 3/8-16 PLT		
2.	130556	MON PISTON NUT		
3.	186561	PLUG 9/16-18UNF MORB SOCKET HD		
4.	N/A	MON WEAR RING 1.25-1.13-0.250	In Seal Kit Item #17	
5.	N/A	MON WEAR RING 2.00-1.88-0.260	In Seal Kit Item #17	
6.	N/A	MON SEAL ZURCON U-CUP RU9 1.13	In Seal Kit Item #17	
7.	N/A	MON SEAL ZURCON WYNSEAL 2.00	In Seal Kit Item #17	
8.	N/A	MON SEAL DUAL 2.00-.170	In Seal Kit Item #17	
9.	N/A	MON SEAL WIPER 1.13 WNUC TSS	In Seal Kit Item #17	
10.	258851	MON PISTON 2.00-.75-TSS-ISO-WR		
11.	437208	LION ROD WLDMT 1 1/8X4 STROKE		
12.	491604	LION CYL. TUBE 2 X 4		
13.	492214	MON TIE ROD 3/8-04		
14.	492669	MON CLEVS CAP 2.00-9/16ORB-1.0		
15.	494382	MON ROD CAP 2.0-1.12-9/16ORB-TS		
16.	235005	MON PIN KIT 1.00C/W COTTER PIN		
17.	810-883C	MON SEAL KIT 620271		

Hydraulic Motor (850-254C) White

Applies to AP-SBL2566, AP-SBL2574, AP-SBL2584



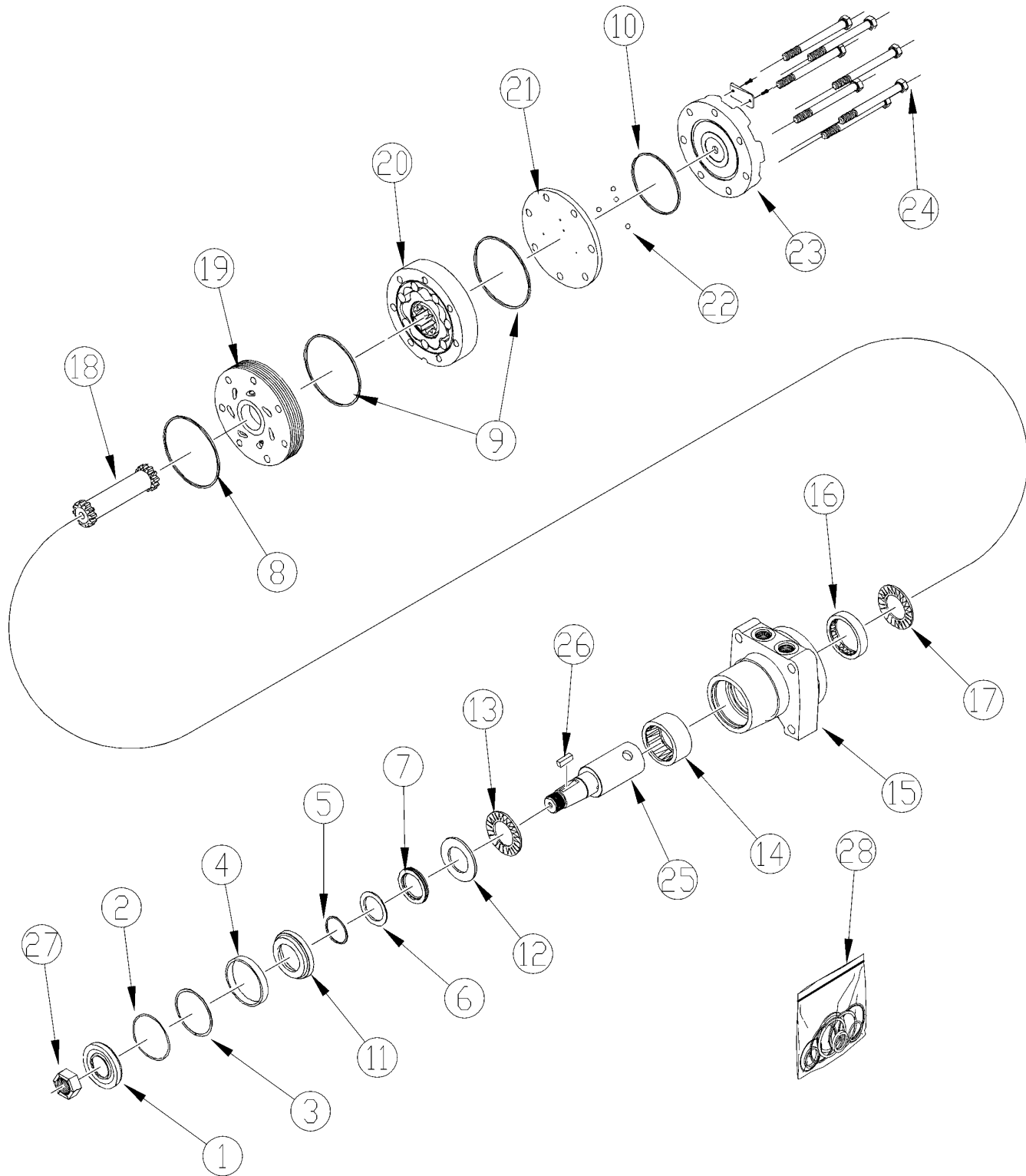
39921

Hydraulic Motor (850-254C) White**Applies to AP-SBL2566, AP-SBL2574, AP-SBL2584**

Ref	Part No.	Part Description	Comments	Revision
	Dwg 39921 850-254C	Image No. HYD MTR 18 CID W/KEY - RE *		
1.	157018110	WH SEAL CARRIER BOLT (9)		
2.	500011300	WH 1-1/4" TAPERED SHAFT		
3.	500012001	WH BALANCE PLATE		
4.	500014007	WH DRIVE LINK		
5.	500015006	WH FORWARD MANIFOLD		
6.	500016001	WH ENDCOVER		
7.	500018002	WH REAR HOUSING BRG		
8.	500018003	WH FRONT HOUSING BRG		
9.	500018048	WH STEEL BALLS (3)		
10.	500018059	WH REAR THRUST BRG		
11.	500018305	WH BEARING SPACER		
12.	500018316	WHITE CHECK VALVE	Not shown	
13.	500307005	WH ROTOR KIT		
14.	500444506	WHITE SEAL KIT		
15.	500445018	WH BOLTS (7)		
16.	500449101	WH KEY KIT		
17.	500449303	WHITE SHAFT LOCK NUT		
18.	505013623	WHITE HOUSING		
19.	505017001	WH SEAL CARRIER		
20.	530018100	WH SEAL CARRIER BOLT WASHER(9)		
21.	530018102	WHITE THRUST WASHER		
22.	N/A	WH DUST SEAL	Available only in Seal Kit Item #14	
23.	N/A	BACKUP SHIM	Available only in Seal Kit Item #14	
24.	N/A	BACKUP SEAL	Available only in Seal Kit Item #14	
25.	N/A	SHAFT SEAL	Available only in Seal Kit Item #14	
26.	N/A	SEAL CARRIER SEAL	Available only in Seal Kit Item #14	
27.	N/A	HOUSING SEAL	Available only in Seal Kit Item #14	
28.	N/A	BODY SEAL	Available only in Seal Kit Item #14	
29.	N/A	ENDCOVER SEAL	Available only in Seal Kit Item #14	

Hydraulic Motor 18 Cubic Inch (810-732C) 3500 PSI

Applies to AP-SBL2566, AP-SBL2574, AP-SBL2584



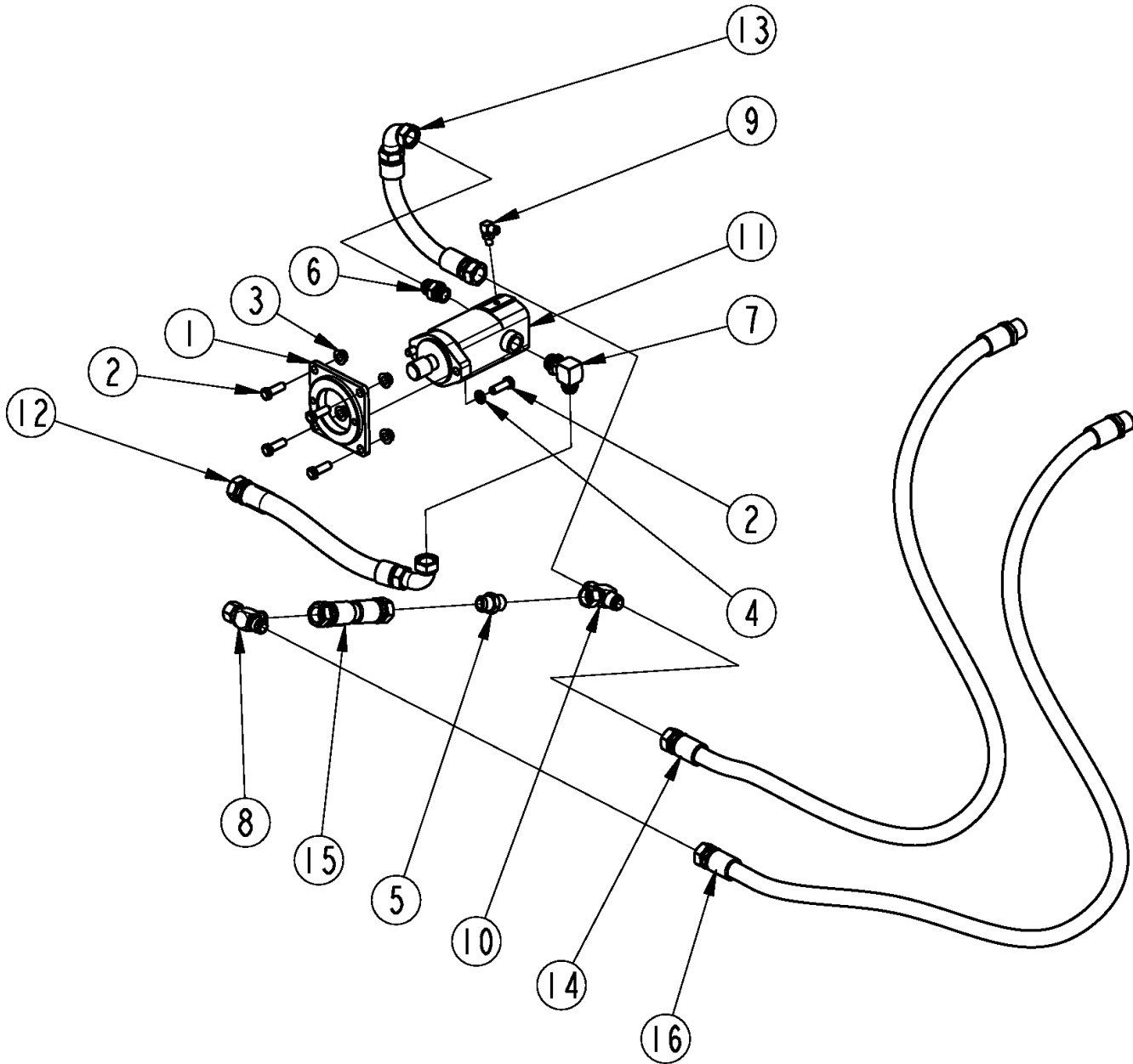
35510

Hydraulic Motor 18 Cubic Inch (810-732C) 3500 PSI**Applies to AP-SBL2566, AP-SBL2574, AP-SBL2584**

Ref	Part No.	Part Description	Comments	Revision
	Dwg 35510 810-732C	Drawing Image Number RPBY 850-254C *	Obsolete	
1.	N/A	WH DUST SEAL	Found in Item #28	
2.	N/A	WIRE RING	Found in Item #28	
3.	N/A	METAL BACKUP SHIM	Found in Item #28	
4.	N/A	HIGH PRESSURE SHIM	Found in Item #28	
5.	N/A	METAL BACKUP SHIM	Found in Item #28	
6.	N/A	POLYAMIDE SEAL	Found in Item #28	
7.	N/A	SHAFT SEAL	Found in Item #28	
8.	N/A	REAR HOUSING SEAL	Found in Item #28	
9.	N/A	BODY SEAL	Found in Item #28	
10.	N/A	END COVER SEAL	Found in Item #28	
11.	N/A	SEAL CARRIER	Found in Item #28	
12.	N/A	THRUST WASHER	Found in Item #28	
13.	500018252	WH FRONT THRUST BRG		
14.	500018003	WH FRONT HOUSING BRG		
15.	500130723	WH WHEEL MOUNT W/7/8" O-RING	Includes Items # 14 & 16	
16.	500018002	WH REAR HOUSING BRG		
17.	500018059	WH REAR THRUST BRG		
18.	500014007	WH DRIVE LINK		
19.	500015006	WH FORWARD MANIFOLD		
20.	500307005	WH ROTOR KIT		
21.	500012001	WH BALANCE PLATE		
22.	500018048	WH STEEL BALLS (3)		
23.	500016001	WH ENDCOVER		
24.	500445018	WH BOLTS (7)		
25.	500011300	WH 1-1/4" TAPERED SHAFT		
26.	500449101	WH KEY KIT		
27.	300339303P	WHITE NUT KIT		
28.	500444001	WH SEAL KIT		

Hydraulic Motor Assembly

Applies to AP-SBL2566, AP-SBL2574, AP-SBL2584



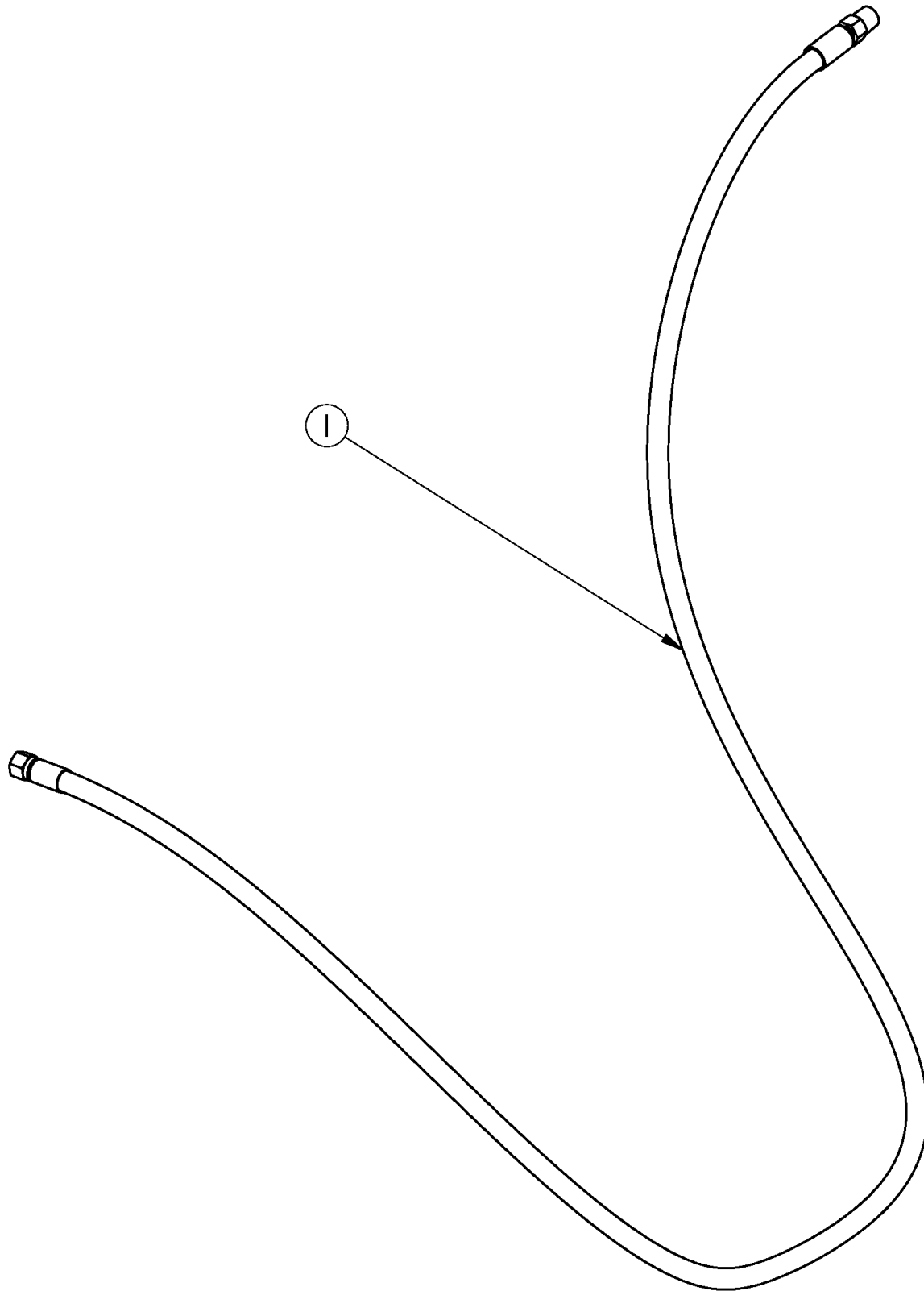
37371

Hydraulic Motor Assembly**Applies to AP-SBL2566, AP-SBL2574, AP-SBL2584**

Ref	Part No.	Part Description	Comments	Revision
	Dwg 37371	Image No.		
	370-528A	MOTOR BUNDLE HYD 12-19 GPM		
	370-529A	MOTOR BUNDLE HYD 20-26 GPM		
	370-530A	MOTOR BUNDLE HYD 27-33 GPM		
		*		
1.	327-359D	ADAPTOR SAE C 4 BOLT TO SAE A		
2.	802-091C	HHCS 1/2-13X1 1/2 GR5		
3.	803-169C	NUT HEX FLG LOCK 1/2-13 PLT		
4.	804-015C	WASHER LOCK SPRING 1/2 PLT		
5.	810-715C	VALVE 3/4 IN-LINE CHECK		
6.	811-408C	AD 1 1/16MORB 1 1/16MJIC		
7.	811-411C	EL 1 1/16MJIC 1 1/16MORB		
8.	841-269C	TEE 1.06FJIC 1.06MJIC 1.06MJIC		
9.	841-468C	EL 9/16MJIC X 7/16MORB	Obsolete	
10.	841-676C	TEE 1.06FJIC 1.06MJIC 1.06MJIC		
11.	850-026C	HYD MOTOR 5.5 CUIN/REV 1.06FOR	12-19 GPM	
11.	850-029C	HYD MOTOR 7.9 CUIN/REV 1.06FOR	20-26 GPM	
11.	850-030C	HYD MOTOR 9.7 CUIN/REV 1.06FOR	27-33 GPM	
12.	851-395C	HH3/4R2 17.1 1.06FJIC(1)SWT90		
13.	851-396C	HH3/4R2 15.2 1.06FJIC FJIC90		
14.	851-397C	HH3/4R2 75.2 1.06FJC1.31MORB		
15.	851-398C	HH3/4R2 7 1.06FJIC		
16.	851-399C	HH3/4R2 77.36 1.31MORB1.06FJIC		

Return to Sump Hose

Applies to AP-SBL2566, AP-SBL2574, AP-SBL2584



37378

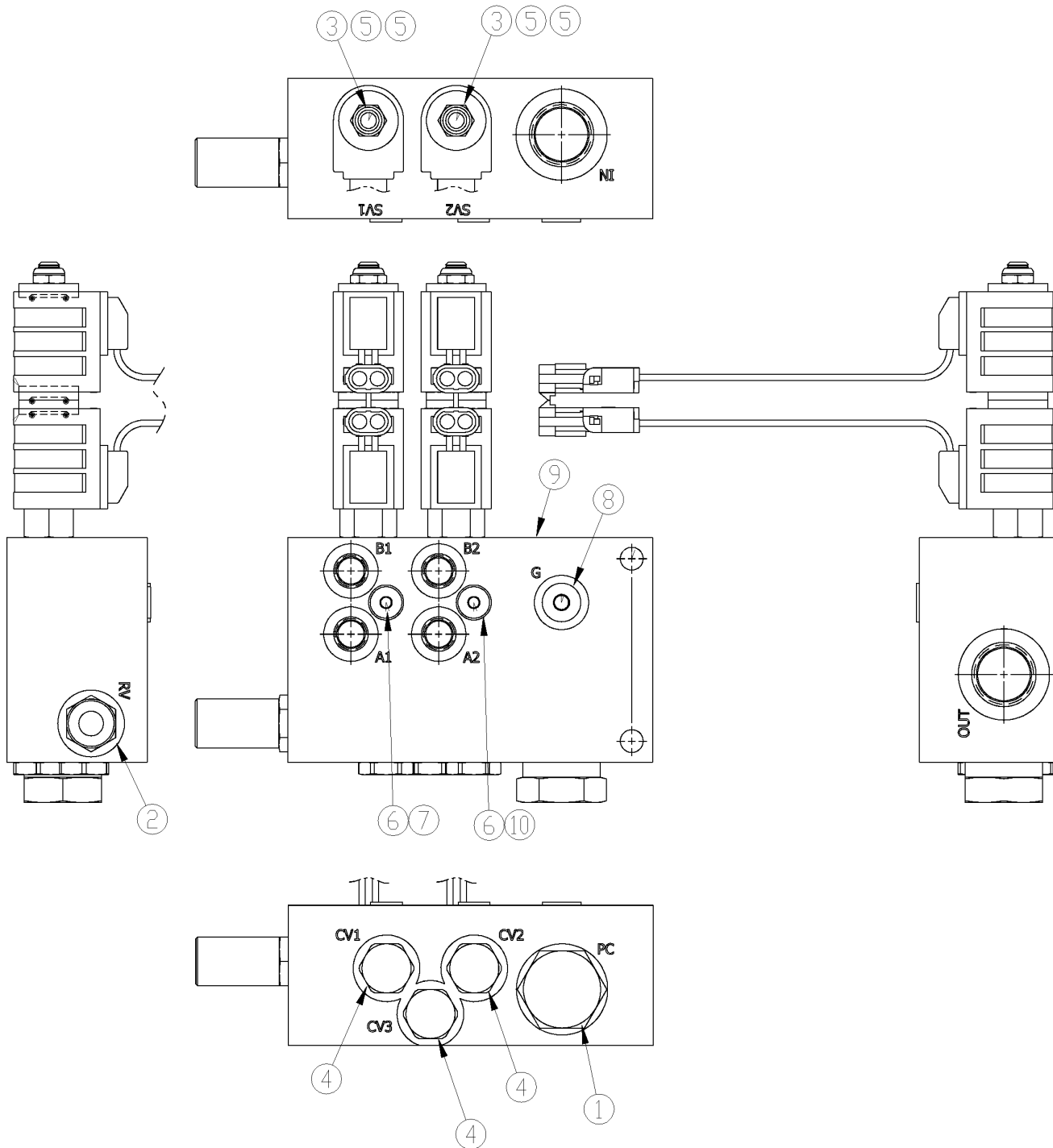
Return to Sump Hose

Applies to AP-SBL2566, AP-SBL2574, AP-SBL2584

Ref	Part No.	Part Description	Comments	Revision
	Dwg 37378	Drawing Image Number		
1.	841-652C	HH3/8R2 83.5 3/8MNPT9/16FJIC		

Solenoid Valve (810-840)

Applies to AP-SBL2566, AP-SBL2574, AP-SBL2584



37382

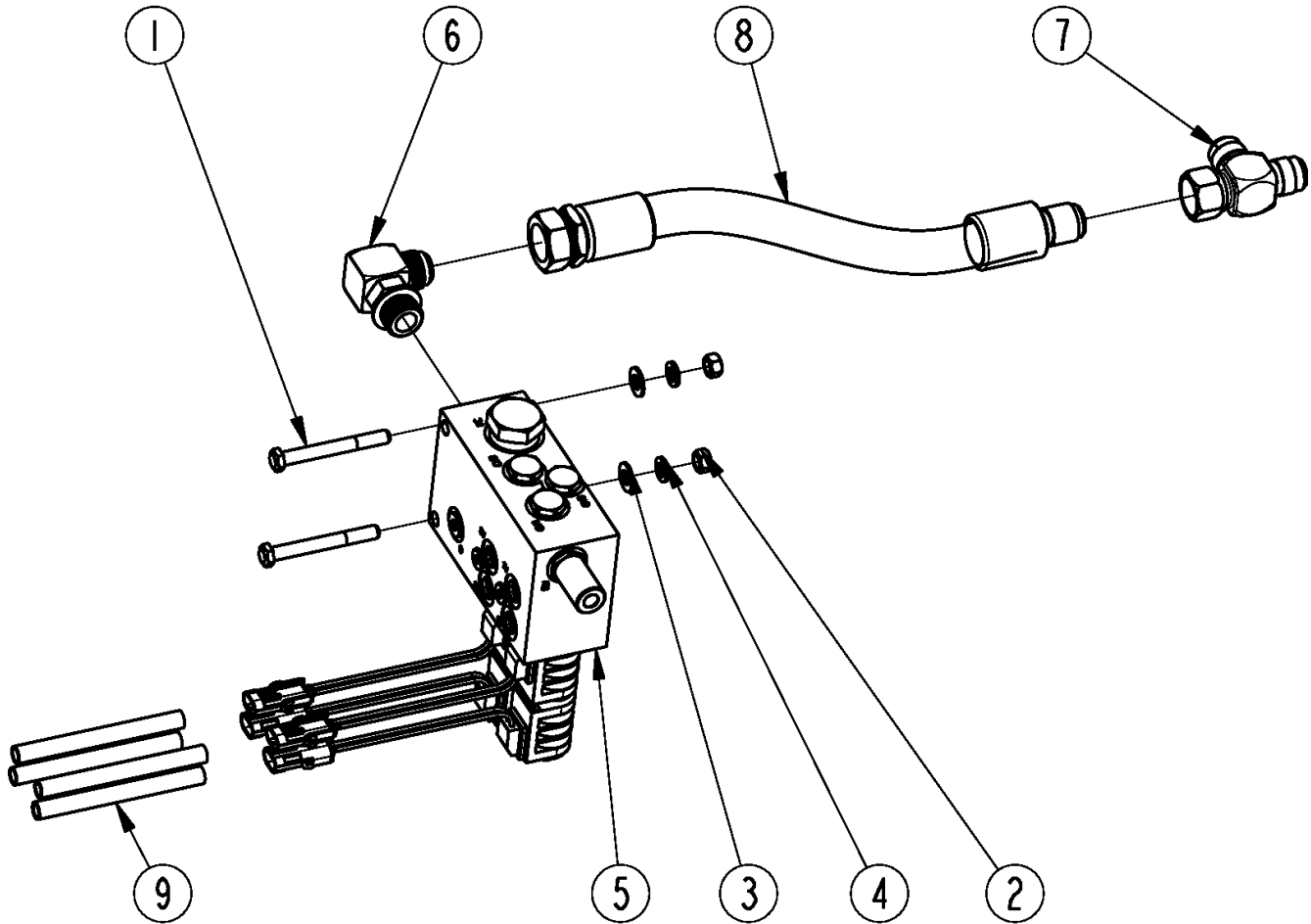
Solenoid Valve (810-840)

Applies to AP-SBL2566, AP-SBL2574, AP-SBL2584

Ref	Part No.	Part Description	Comments	Revision
	Dwg 37382	Drawing Image Number		
1.	88400016	DELTA PRESSURE COMPENSATOR		
2.	86020673	DELTA RELIEF VALVE		
3.	86020379	DELTA 4W3P SOLENOID VALVE		
4.	86020133	DELTA CHECK VALVE		
5.	38400002	DELTA 12 VDC COIL, WITH DIODE		
6.	61010016	DELTA PLUG, #4 SAE, HEX SOC		
7.	61010033	DELTA ORIFICE PLUG (DIA. 060)		
8.	61010007	DELTA #6 SAE PLUG		
9.	30103150	DELTA MANIFOLD		
10.	61010034	DELTA ORIFICE PLUG (DIA. .052)		

Solenoid, Hose & Fittings

Applies to AP-SBL2566, AP-SBL2574, AP-SBL2584



37376

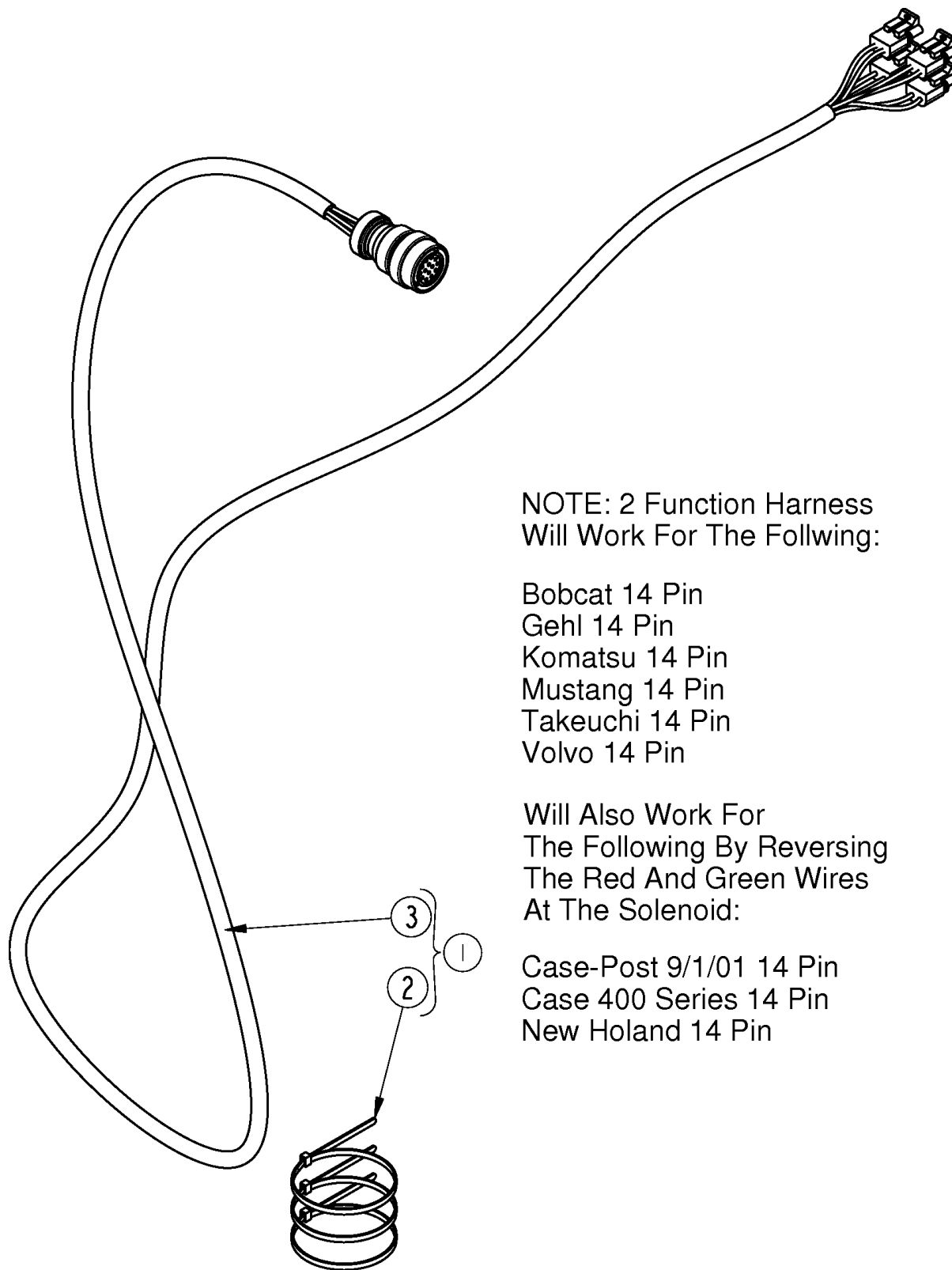
Solenoid, Hose & Fittings

Applies to AP-SBL2566, AP-SBL2574, AP-SBL2584

Ref	Part No.	Part Description	Comments	Revision
	Dwg 37376	Drawing Image Number		
1.	802-168C	HHCS 3/8-16X3 1/4 GR5		
2.	803-014C	NUT HEX 3/8-16 PLT		
3.	804-012C	WASHER FLAT 3/8 SAE PLT		
4.	804-013C	WASHER LOCK SPRING 3/8 PLT		
5.	810-840C	VALVE 2 PRIORITY STUMP GRINDER		
6.	811-411C	EL 1 1/16MJIC 1 1/16MORB		
7.	841-269C	TEE 1.06FJIC 1.06MJIC 1.06MJIC		
8.	841-657C	HH3/4R2 16.65 1.06FJIC/MJIC		
9.	990-296R	CORRUGATED LOOM, 3/8 ID		

Wiring Harness 14 Pin

Applies to AP-SBL2566, AP-SBL2574, AP-SBL2584



NOTE: 2 Function Harness
Will Work For The Following:

- Bobcat 14 Pin
- Gehl 14 Pin
- Komatsu 14 Pin
- Mustang 14 Pin
- Takeuchi 14 Pin
- Volvo 14 Pin

Will Also Work For
The Following By Reversing
The Red And Green Wires
At The Solenoid:

- Case-Post 9/1/01 14 Pin
- Case 400 Series 14 Pin
- New Holand 14 Pin

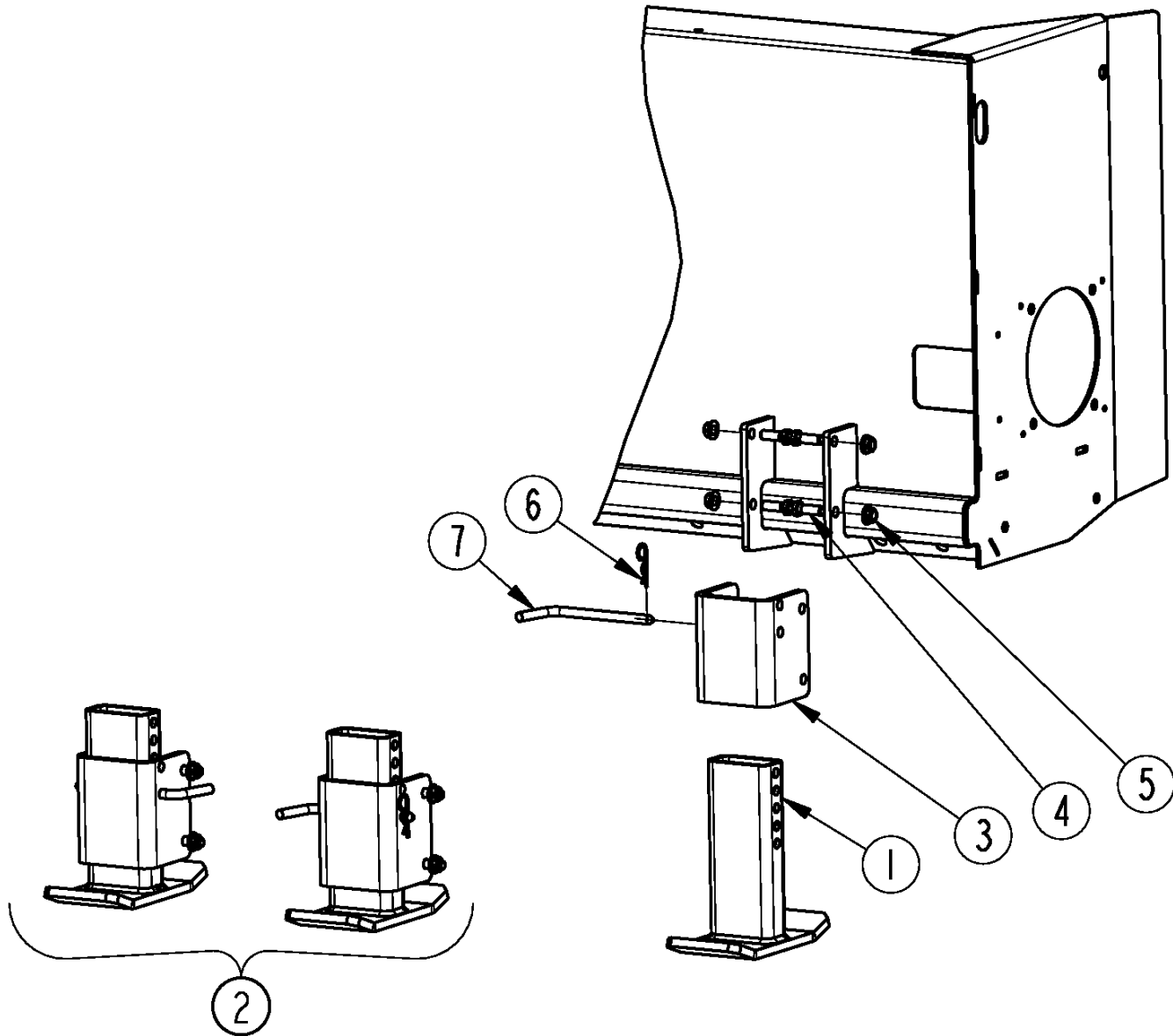
Wiring Harness 14 Pin

Applies to AP-SBL2566, AP-SBL2574, AP-SBL2584

Ref	Part No.	Part Description	Comments	Revision
	Dwg35289	Drawing Image Number		
1.	370-336A	WIRING HARNESS 14 PIN		
2.	800-060C	CABLE TIE .19X14.25 3DIA 50LB		
3.	823-417C	DEUTSCH HD30 14 PIN 2 FUNCTION		

Inner Skid Shoes

Applies to AP-SBL2566, AP-SBL2574, AP-SBL2584



37868

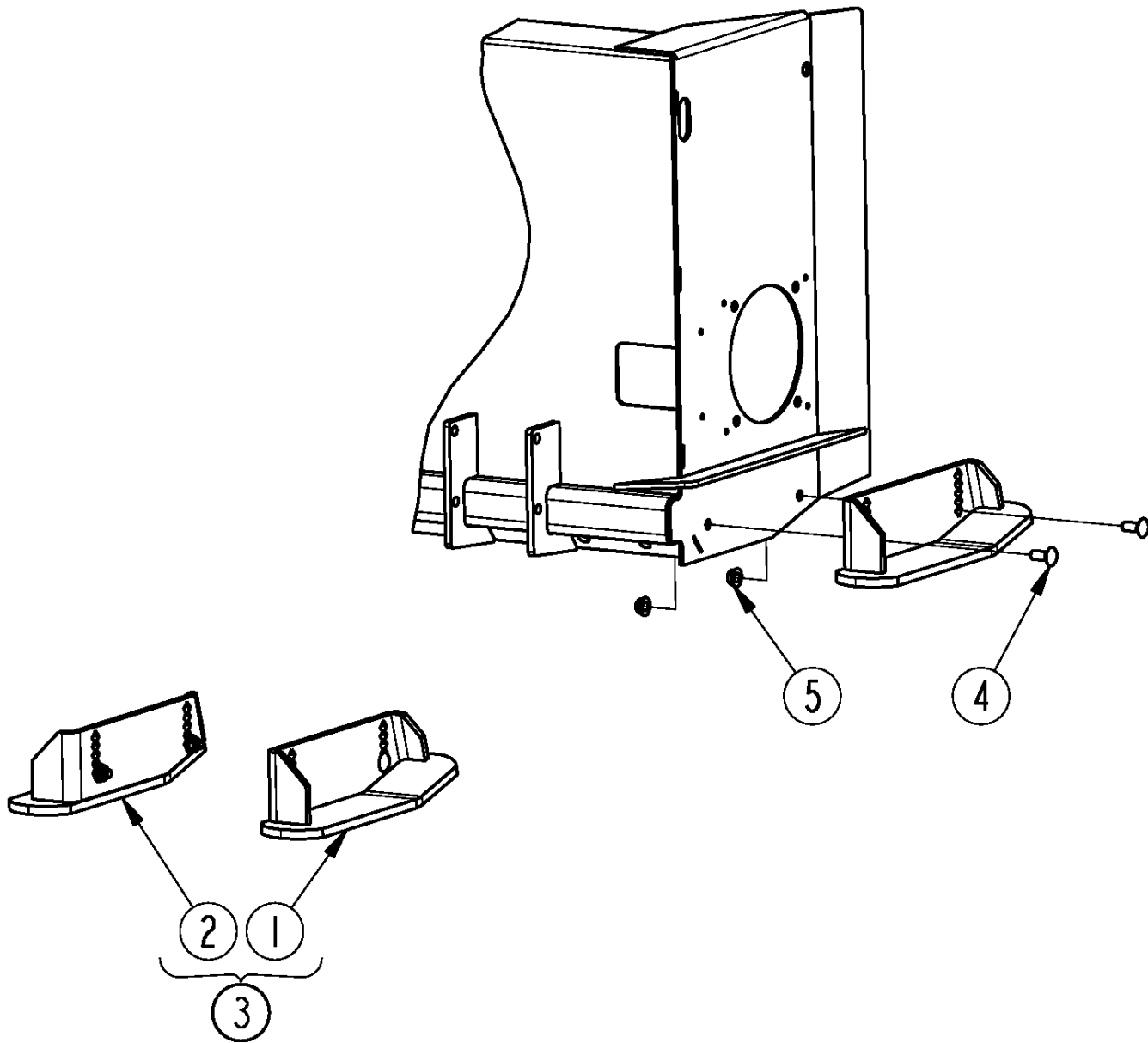
Inner Skid Shoes

Applies to AP-SBL2566, AP-SBL2574, AP-SBL2584

Ref	Part No.	Part Description	Comments	Revision
	Dwg 37868	Drawing Image Number		
1.	370-439H	INNER SKID SHOE		
2.	370-440K	SKID SHOE BUNDLE		
3.	370-441H	SKID SHOE MOUNT		
4.	802-091C	HHCS 1/2-13X1 1/2 GR5		
5.	803-169C	NUT HEX FLG LOCK 1/2-13 PLT		
6.	805-143C	PIN HAIR COTTER .120 PLT		
7.	805-271C	PIN BENT .50X5.50 USBL		

Outer Skid Shoes

Applies to AP-SBL2566, AP-SBL2574, AP-SBL2584



37869

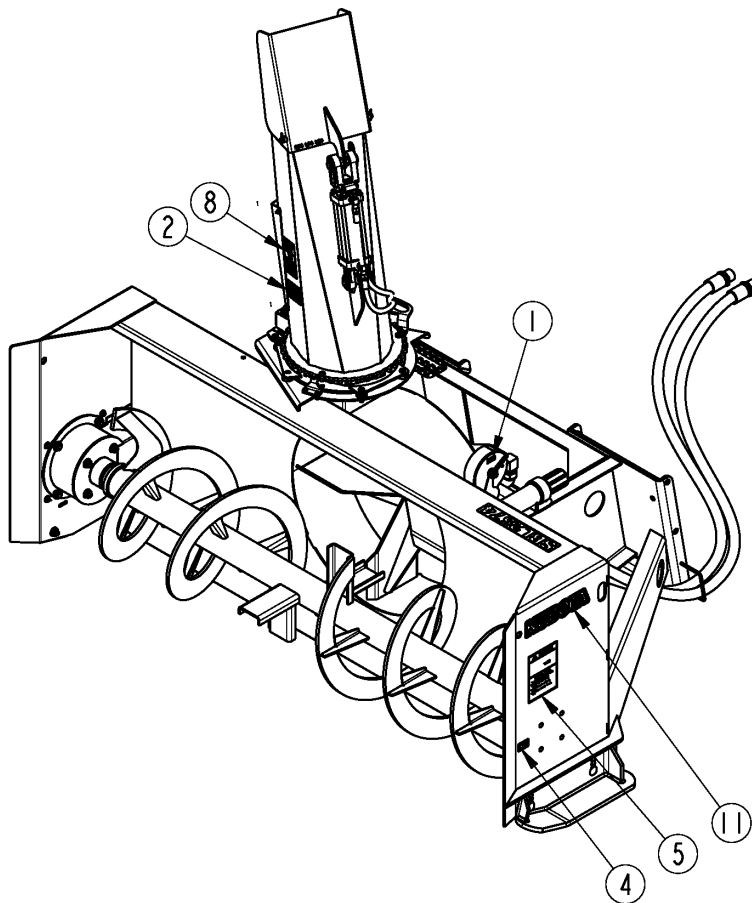
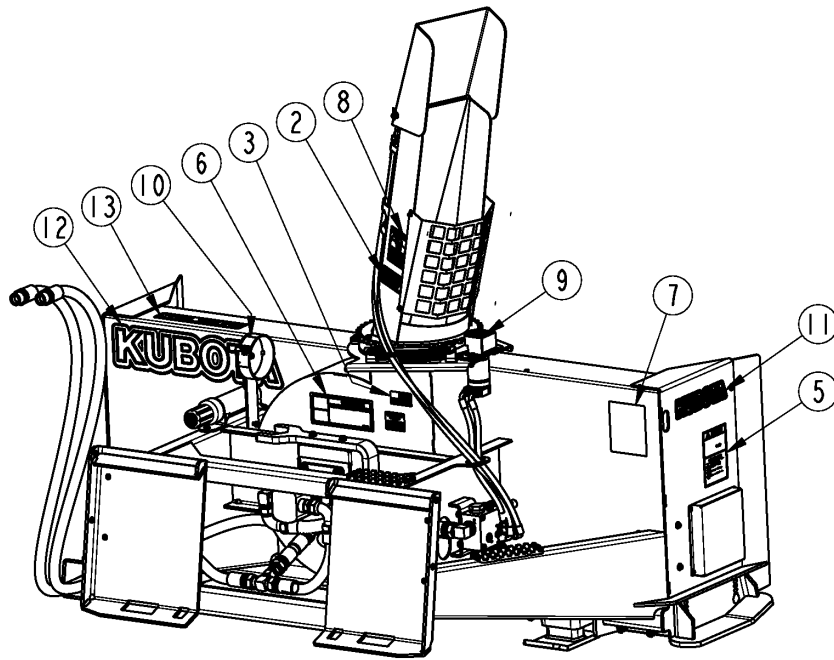
Outer Skid Shoes

Applies to AP-SBL2566, AP-SBL2574, AP-SBL2584

Ref	Part No.	Part Description	Comments	Revision
	Dwg 37869	Drawing Image Number		
1.	370-436H	SKID SHOE RH	SBL2574 & SBL2584	
1.	370-449H	SKID SHOE RH SBL 66	SBL2566	
2.	370-437H	SKID SHOE LH	SBL2574 & SBL2584	
2.	370-450H	SKID SHOE LH SBL 66	SBL2566	
3.	370-438K	SKID SHOE BUNDLE	SBL2574 & SBL2584	
3.	370-451K	SKID SHOE BUNDLE SBL 66	SBL2566	
4.	802-214C	RHSNB 1/2-13X1 1/4 GR5		
5.	803-169C	NUT HEX FLG LOCK 1/2-13 PLT		

Decal Placement

Applies to AP-SBL2566, AP-SBL2574, AP-SBL2584



37870

Decal Placement**Applies to AP-SBL2566, AP-SBL2574, AP-SBL2584**

Ref	Part No.	Part Description	Comments	Revision
	Dwg 37870	Drawing Image Number		
1.	844-123C	DECAL PATENT LEVEL INDICATOR	S/N 1068810K+	
1.	818-042C	DECAL PATENT PENDING	S/N 1068809K-	
2.	818-132C	DECAL DANGER THROWN OBJECT HAZ		
3.	818-190C	DECAL FLAG		
4.	818-349C	DECAL GREASE 10 HRS LH		
5.	818-634C	DECAL DANGER AD ROTATING AUGER		
6.	818-831C	DECAL WARNING HIGH PRESSURE		
7.	818-858C	DECAL WARNING GENERAL SAFTEY		
8.	848-840C	DECAL DANGER ROTATING IMPELLER		
9.	858-148C	DECAL PIC--PINCH POINT		
10.	858-238C	DECAL LEVEL RUN		
11.	858-398C	DECAL KUBOTA 10"		
12.	858-400C	DECAL KUBOTA 22"		
13.	858-501C	DECAL SBL2566 WHITE		
13.	858-502C	DECAL SBL2574 WHITE		
13.	858-503C	DECAL SBL2584 WHITE		

Kubota Touch-up Paints

Applies to AP-SBL2566, AP-SBL2574, AP-SBL2584

No diagram associated with this Parts List

Kubota Touch-up Paints

Applies to AP-SBL2566, AP-SBL2574, AP-SBL2584

Ref	Part No.	Part Description	Comments	Revision
1.	821-070C	GLOSS BLACK SPRAY CAN	All Products	
2.	821-070CTU	GLOSS BLACK TOUCH-UP 5OZ		
3.	821-070CQT	GLOSS BLACK QUART		
4.	821-070CGL	GLOSS BLACK GALLON		



Part Number Index

The Part Number Index is a numeric index of all part numbers included in this manual. The index shows what page(s) the part is used on.

Part Number	Page	Part Number	Page	Part Number	Page	Part Number	Page
130556	45, 47	370-699D	19	803-209C	11, 19	841-671C	17
157018110	49	370-705D	19	803-255C	11	841-672C	17
186561	45, 47	370-723D	11	803-263C	9	841-676C	53
213-005	23	370-724D	11	803-268C	11	841-904C	17
219-007	23	370-728D	11	803-406C	13	841-905C	17
219-009	23	370-747D	11	804-004C	19	841-957C	39
235005	45, 47	370-748D	11	804-006C	11, 43	841-958C	39
250-007	23	370-803D	11	804-007C	11, 19, 43	842-244C	7
250-023	23	370-843D	21	804-011C	15	844-123C	67
255-092	23	38400002	57	804-012C	11, 59	848-840C	67
255-093	23	437208	45, 47	804-013C	11, 59	850-025C	19
255-098	23	491604	45, 47	804-015C	53	850-026C	53
255-102	23	492214	45, 47	804-016C	7	850-029C	53
255-103	23	492669	45, 47	804-046C	19	850-030C	53
255-104	23	494382	45, 47	804-226C	19	850-254C	7, 17, 49
255-186	23	500011300	49, 51	804-239C	11	851-102C	41
258851	45, 47	500012001	49, 51	805-004C	21	851-395C	53
259-001	23	500014007	49, 51	805-088C	21	851-396C	53
259-004	23	500015006	49, 51	805-143C	63	851-397C	53
259-005	23	500016001	49, 51	805-271C	63	851-398C	53
300339303P	51	500018002	49, 51	805-363C	11	851-399C	53
30103150	57	500018003	49, 51	810-125C	21, 45, 47	851-401C	21
304-345	23	500018048	49, 51	810-715C	53	851-402C	21
316-289A	39	500018059	49, 51	810-732C	7, 17, 51	851-947C	41
316-290A	41	500018252	51	810-836C	43	851-948C	41
321-098H	15	500018305	49	810-840C	59	858-148C	67
321-134D	15	500018316	49	810-883C	45, 47	858-238C	67
326-474A	31	500130723	51	811-065C	19, 21	858-398C	67
327-359D	53	500307005	49, 51	811-170C	19, 21	858-400C	67
370-061D	11	500444001	51	811-408C	17, 53	858-501C	67
370-071H	11	500444506	49	811-411C	17, 43, 53, 59	858-502C	67
370-072H	11	500445018	49, 51	811-744C	41	858-503C	67
370-085H	11	500449101	49, 51	811-745C	41	86020133	57
370-133A	29	500449303	49	811-763C	17	86020379	57
370-134A	27	505013623	49	815-312C	7	86020673	57
370-142D	11	505017001	49	816-504C	11	88400016	57
370-168D	11	530018100	49	817-871C	11	990-296R	59
370-210H	11	530018102	49	818-042C	67	Dwg 33091	23
370-214H	7	61010007	57	818-132C	67	Dwg 35510	51
370-256H	7	61010016	57	818-190C	67	Dwg 35575	41
370-259H	11	61010033	57	818-349C	67	Dwg 35576	39
370-261H	7	61010034	57	818-634C	67	Dwg 35577	29
370-265H	13	800-060C	31, 61	818-831C	67	Dwg 35578	27
370-270K	9	800-112C	25, 27, 29	818-858C	67	Dwg 35611	31
370-271K	9	800-303C	23	820-042C	9	Dwg 37144	25
370-336A	61	801-019C	13	820-046C	9	Dwg 37365	7
370-351H	11	801-171C	19	820-477C	9	Dwg 37366	11
370-353H	7	802-004C	11	821-070C	69	Dwg 37367	13
370-355H	13	802-014C	11	821-070CGL	69	Dwg 37368	17
370-356K	9	802-017C	11, 19	821-070CQT	69	Dwg 37369	19
370-392H	19	802-022C	11	821-070CTU	69	Dwg 37370	21
370-395D	11	802-034C	7	822-243C	7	Dwg 37371	53
370-434A	25	802-078C	11	822-253C	11	Dwg 37374	9
370-436H	65	802-091C	7, 53, 63	822-310C	13	Dwg 37376	59
370-437H	65	802-159C	15	823-377C	23, 25, 27, 29	Dwg 37377	43
370-438K	65	802-163C	11	823-385C	25, 27, 29	Dwg 37378	55
370-439H	63	802-168C	59	823-386C	27, 29	Dwg 37381	15
370-440K	63	802-206C	9	823-405C	25, 27, 29	Dwg 37382	57
370-441H	63	802-214C	13, 65	823-417C	61	Dwg 37868	63
370-449H	65	802-224C	11	823-439C	25	Dwg 37869	65
370-450H	65	802-274C	43	841-269C	53, 59	Dwg 37870	67
370-451K	65	802-741C	19	841-468C	53	Dwg 39921	49
370-453H	11	802-794C	15	841-539C	31	dwg13565	45, 47
370-454D	11	802-954C	19	841-603C	19	Dwg35289	61
370-454S	11	803-006C	11, 43	841-610C	19	N/A	45, 47, 49, 51
370-528A	53	803-013C	11	841-649C	17		
370-529A	53	803-014C	11, 45, 47, 59	841-650C	17		
370-530A	53	803-043C	15	841-652C	55		
370-636D	11	803-088C	11	841-656C	43		
370-677D	11	803-169C	7, 13, 53, 63, 65	841-657C	59		

This Page Intentionally Left Blank



KUBOTA TRACTOR CORPORATION

1000 Kubota Drive, Grapevine, TX 76051

Telephone: (817) 756-1171

Western Division: 1175 S. Guild Ave., Lodi, CA 95240

Telephone: (209) 334-9910

Central Division: 14855 FAA Blvd., Fort Worth, TX 76155

Telephone: (817) 571-0900

Northern Division: 6300 at One Kubota Way, Groveport, OH 43125

Telephone: (614) 835-1100

Southeast Division: 1025 Northbrook Parkway, Suwanee, GA 30024

Telephone: (770) 995-8855

www.kubota.com
