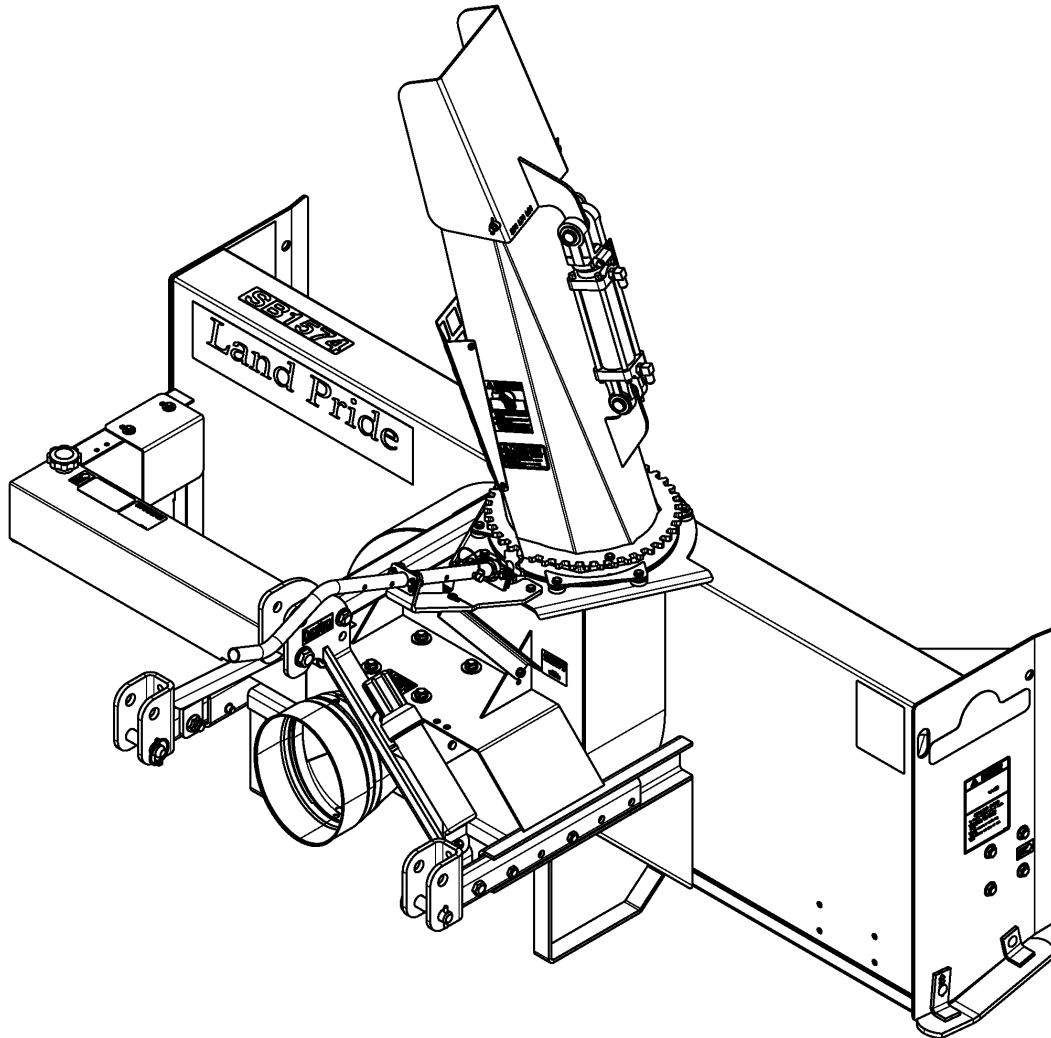


Snow Blower

SB1574



37067

370-431P Parts Manual



Read the Operator's Manual entirely. When you see this symbol, the subsequent instructions and warnings are serious - follow without exception. Your life and the lives of others depend on it!

© Copyright 2015 Printed 12/23/15

Cover photo may show optional equipment not supplied with standard unit.





Table of Contents

Section 1: Introduction.....	4
Using This Manual.....	4
Manual Replacement Information.....	4
Manual Revisions.....	4
Touch-up Paint.....	4
Hardware Legend.....	5
Replacement Hardware.....	5
Serial Numbers.....	5
Part Number Service Coding.....	5
Section 2: Frame & Auger Components.....	6
Auger Components.....	6
Frame & Chute.....	8
Hitch Components.....	10
Section 3: Drive Components.....	12
Auger & Impeller Drive.....	12
Driveline (826-687C) Comer.....	14
Gear Box (826-654C).....	16
Section 4: Options & Accessories.....	18
Chute Adjustment Electric.....	18
Chute Adjustment Hydraulic.....	20
Chute Adjustment Manual.....	22
Control Box (823-377C).....	24
Electric Switch Box Harness.....	26
Hydraulic Cylinder Double Acting (810-125C) Lion.....	28
Inner Skid Shoes.....	30
Lower Wear Bar Kit SB15.....	32
Outer Skid Shoes.....	34
Side Adjustment Plates.....	36
Tilt Adjustment Electric.....	38
Tilt Adjustment Hydraulic.....	40
Tilt Adjustment Manual.....	42
Section 5: Label Placement.....	44
Label Placement.....	44
Part Number Index.....	46

© Copyright 2015. All rights reserved.

Land Pride provides this publication “as is” without warranty of any kind, either expressed or implied. While every precaution has been taken in the preparation of this manual, Land Pride assumes no responsibility for errors or omissions. Neither is any liability assumed for damages resulting from the use of the information contained herein. Land Pride reserves the right to revise and improve its products as it sees fit. This publication describes the state of this product at the time of its publication, and may not reflect the product in the future. The illustrations in this manual are not intended for safe and proper assembly or disassembly of equipment. The illustrations are intended for ordering parts only.

Land Pride is registered trademark.

All other brands and product names are trademarks or registered trademarks of their respective holders.

Printed in the United States of America.



Alphabetized Table of Contents

A	
Auger & Impeller Drive.....	12
Auger Components.....	6
C	
Chute Adjustment Electric.....	18
Chute Adjustment Hydraulic.....	20
Chute Adjustment Manual.....	22
Control Box (823-377C).....	24
D	
Driveline (826-687C) Comer.....	14
E	
Electric Switch Box Harness.....	26
F	
Frame & Chute.....	8
G	
Gear Box (826-654C).....	16
H	
Hitch Components.....	10
Hydraulic Cylinder Double Acting (810-125C) Lion.....	28
I	
Inner Skid Shoes.....	30
L	
Label Placement.....	44
Lower Wear Bar Kit SB15.....	32
O	
Outer Skid Shoes.....	34
S	
Side Adjustment Plates.....	36
T	
Tilt Adjustment Electric.....	38
Tilt Adjustment Hydraulic.....	40
Tilt Adjustment Manual.....	42

General Information

Using This Manual

This manual is divided into sections. The first section contains General Information. The remaining sections divide the machine into segments (i.e. Frames, Drives, Hydraulics, etc.) which illustrate and list all parts. A Parts Number Index is located at the back of the book.

The Land Pride parts in this manual are specially designed for this machine and should be replaced with Land Pride parts only.

The information in this manual is current at time of printing. Some parts may change to assure top performance.

Right-hand and left-hand as used in this manual are determined by facing the direction the machine will travel while in use.

Below is an example of two facing pages from a parts manual. Familiarize yourself with the type of information contained on these pages.

Manual Replacement Information

Replacement manuals are available. Refer to our website at www.landpride.com or e-mail us at lit@landpride.com for additional information. Our website continues to provide the most up-to-date manuals available.

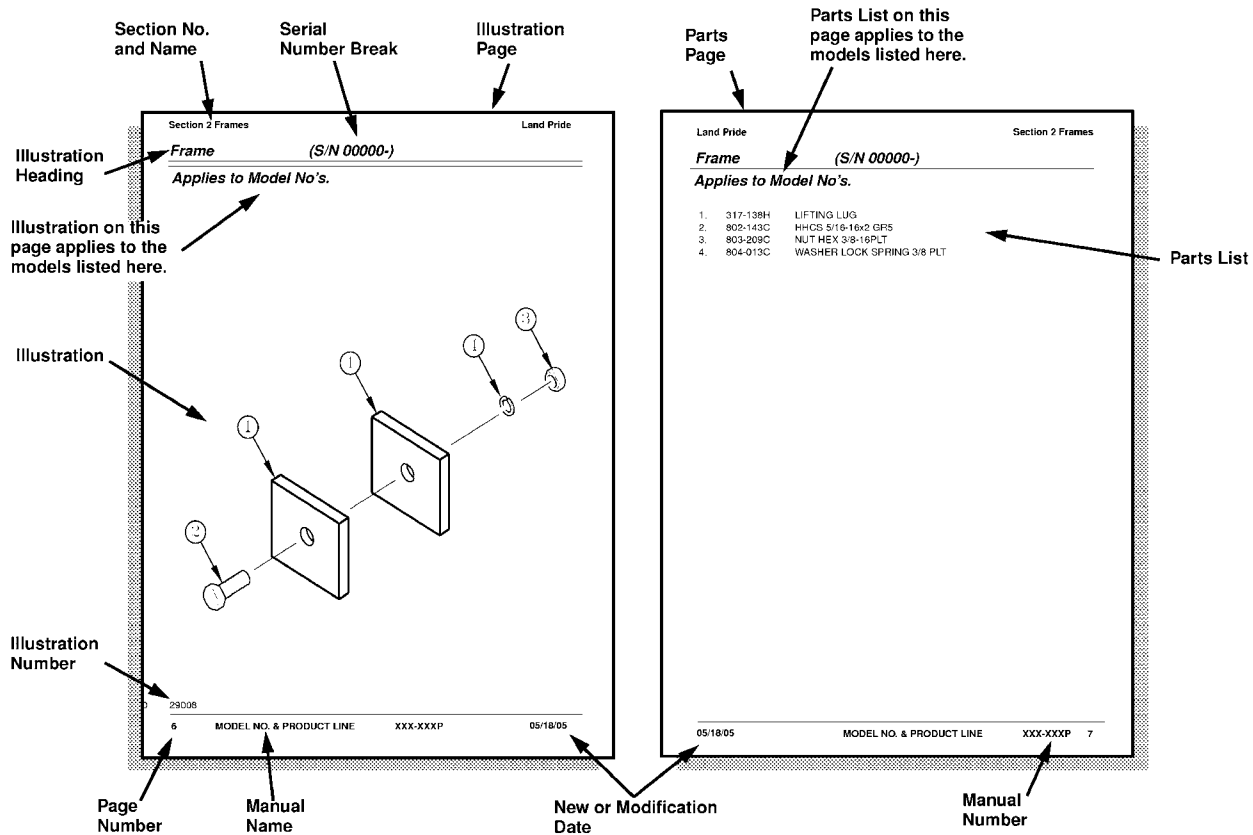
Touch-up Paint

Repaint parts where paint is worn or scratched to prevent rust. Aerosol cans and touch-up bottles with brush applicator are available through your local dealer. Land Pride color descriptions and part numbers are listed below. Also available are quart and gallon size paints. Add QT or GL to end of the Aerosol P/N.

Color	Product*	Aerosol	Touch-Up
Gloss Black	LP	821-032C	821-032CTU
Beige	LP	821-011C	821-011CTU
Green	SLP	821-058C	821-058CTU
Orange	SLP	821-066C	821-066CTU
Red	SLP	821-054C	821-054CTU
Blue	SLP	821-067C	821-067CTU

Notes:

- * LP = All Land Pride Products
- SLP = Select Land Pride Products that are available in optional Green, Orange and Red.



General Information

Hardware Legend

AR	As Required
BLADE	Blade Bolt
C	Cap Screw
CP	Cotter Pin
CPHSSS	Cup Point Hex Socket Set Screw
CPSHSS	Cup Point Square Head Set Screw
CPSQHSS	Cup Point Square Head Set Screw
CRFCHMS3	Cross Recess Flat Countersunk Head Machine Screw
CRPHMS	Cross Recess Pan Head Machine Screw
CRPHTF	Cross Recess Pan Head Thread Forming
CRRHMS	Cross Recess Round Head Machine Screw
CRTHMS	Cross Recess Truss Head Machine Screw
CSNB	Countersunk Square Neck Bolt
FHMS	Flat Head Machine Screw
FTC	Full Thread Cap Screw
H	Hex Nut
HCLN	Hex Center Lock Nut
HFLCS	Hex Flange Lock Cap Screw
HFS	Hex Flange Screw
HFSLN	Hex Flange Serrated Lock Nut
HFSS	Hex Flange Serrated Screw
HHCS	Hex Head Cap Screw or Metric Bolt
HSBHCS	Hex Socket Button Head Cap Screw
HSFCHCS	Hex Socket Flat Countersunk Head Cap Screw
HSHCS	Hex Socket Head Cap Screw
HSSS	Hex Socket Head Screw
HTLN	Hex Top Lock Nut
HWHCS	Hex Washer Head Cap Screw

HWHMS	Hex Washer Head Machine Screw
HXBHCS	Hex Socket Button Head Cap Screw
J	Hex Jam Nut
JIC	37 Degree Tapered Thread
L	Helical Spring Lock Washer
LUG	Lug Bolt
NFC	National Fine Cap Screw
NPSM	National Pipe Straight Mechanical
NPTF	National Pipe Taper Fuel
P	Wide Plain Washer
PHMS	Pan Head Machine Screw
PLOW	Plow Bolt
RHMS	Round Head Machine Screw
RHSNB	Round Head Square Neck Bolt
SCREW LEVELING	Leveling Screw
SCREW THUMB	Thumb Screw
SCREW WELD	Weld Screw
SFCHMS	Slotted Flat Countersunk Head Machine Screw
SFHMS	Slotted Fillister Head Machine Screw
SP	Special
SP SCREW	Special Screw
SQHSS	Square Head Set Screw
SRHMS	Slotted Round Head Machine Screw
SSS	Socket Set Screw
STCS	Self Tapping Cap Screw
STHMS	Slotted Truss Head Machine Screw
WHEEL	Wheel Studs and Hub Long Bolts
WING	Wing Bolt

Replacement Hardware

The **Hardware Legend** above lists hardware abbreviations used in the parts list. All bolts and nuts are Grade 5 unless otherwise noted. The use of improper grades of hardware can result in personal injury, damage to equipment, or loss of property.

Colored Replacement Parts

Land Pride offers replacement parts in factory standard colors and also on select models in Green, Orange, Red and Blue. Because of the variety of colors available, special attention must be given to the part number to prevent ordering the wrong replacement part.

A suffix number corresponding to one of the colors below must be added at the end of Land Pride's part number when ordering a replacement part with that color.

81 Green 83 Red
82 Orange 84 Blue

For example, if you are ordering a replacement part with part number 555-555C and the part you need is red, then add the suffix 83 to the end of the number to make the part number read 555-555C83. Parts ordered without a suffix number will be supplied in factory standard colors.

Black Replacement Parts

Some parts are factory standard black and some must be special ordered black. If your part is special ordered black, a second part number with the additional suffix number 85 on the end will be available. In this situation you must order that part with the suffix number for it to be black. Parts that are factory standard black will not have the suffix number.

Part Number Service Coding

Within the parts list some part numbers are coded for revisions and interchangeability. See notations in revision column.

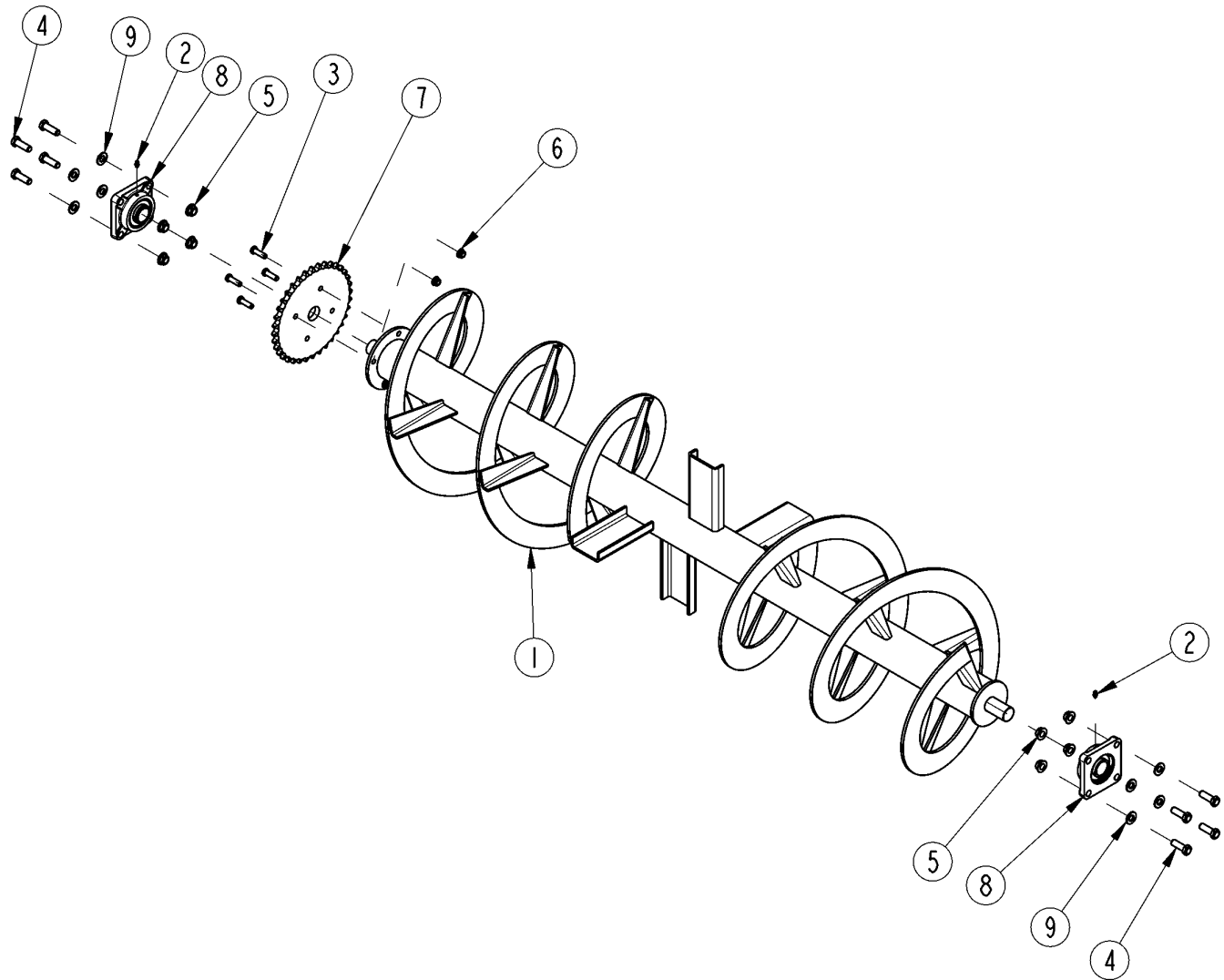
Serial Numbers

Always use the serial and model number when ordering parts. Refer to the Operator's Manual for serial number plate location.

- (S/N 20001+) Includes serial numbers 20001 and above (to the latest number)
- (S/N 10001 to 20000) Includes serial numbers between and including 10001 and 20000
- (S/N 10000-) Includes serial numbers 10000 and below (to the earliest number)

Auger Components

Applies to SB1574 S/N 881641+



33087

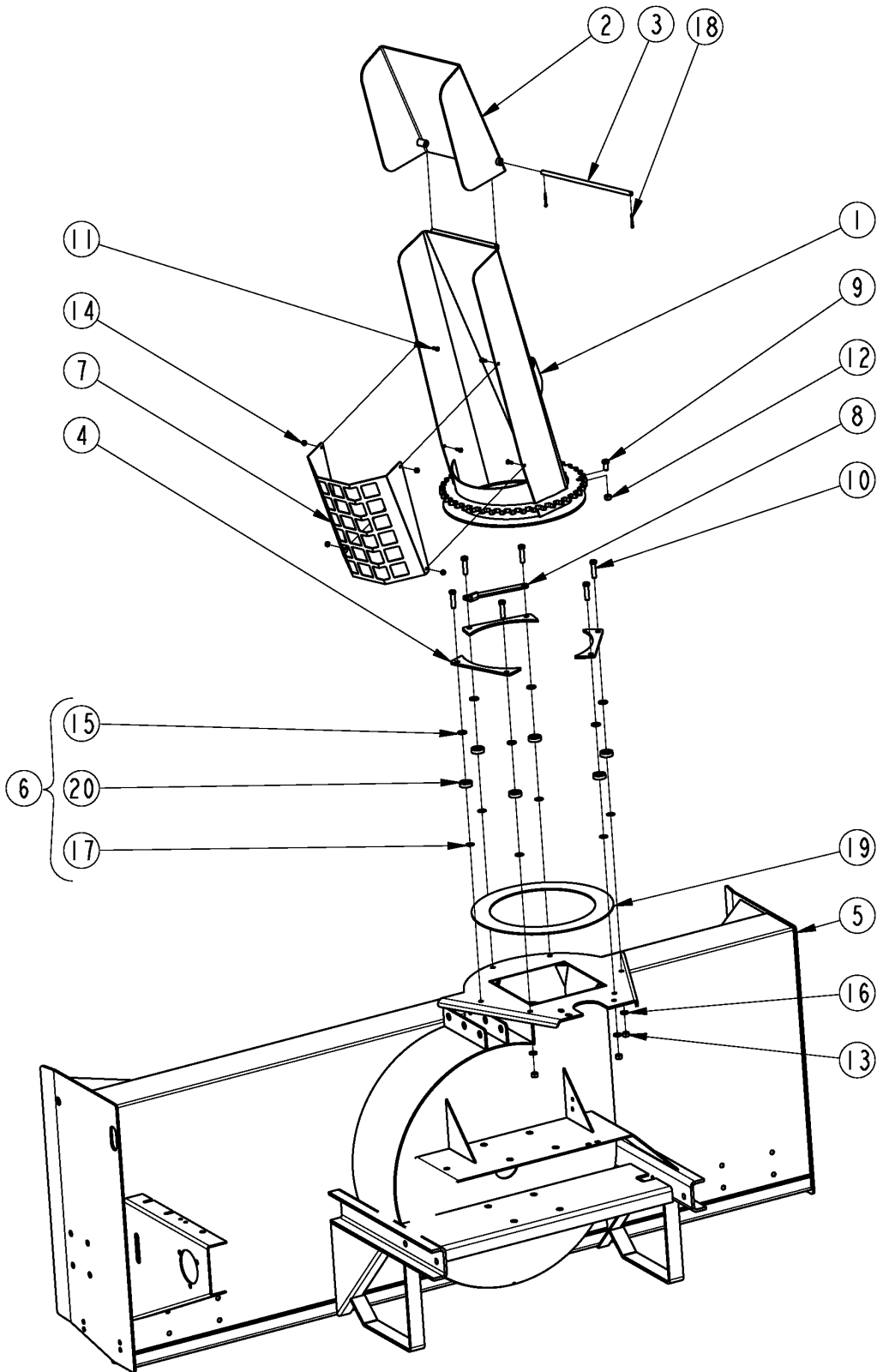
Auger Components

Applies to SB1574 S/N 881641+

Ref	Part No.	Part Description	Comments	Revision
	dwg33087	Drawing Image Number		
1.	370-101H	AUGER WELD 1574	(Went to heavier flighting at S/N 906566+)	
2.	800-001C	GREASE ZERK STRAIGHT 1/4-28		
3.	802-079C	HHCS 3/8-16X1 1/4 GR5		
4.	802-091C	HHCS 1/2-13X1 1/2 GR5		
5.	803-169C	NUT HEX FLG LOCK 1/2-13 PLT		
6.	803-209C	NUT FLANGE LOCK 3/8-16 PLT		
7.	808-423C	SPKT 6036X W/4 HOLES		
8.	822-243C	BRG 4 BOLT CAMLOCK 1.25 BORE		
9.	804-016C	WASHER FLAT 1/2 SAE PLT		

Frame & Chute

Applies to SB1574 S/N 881641+



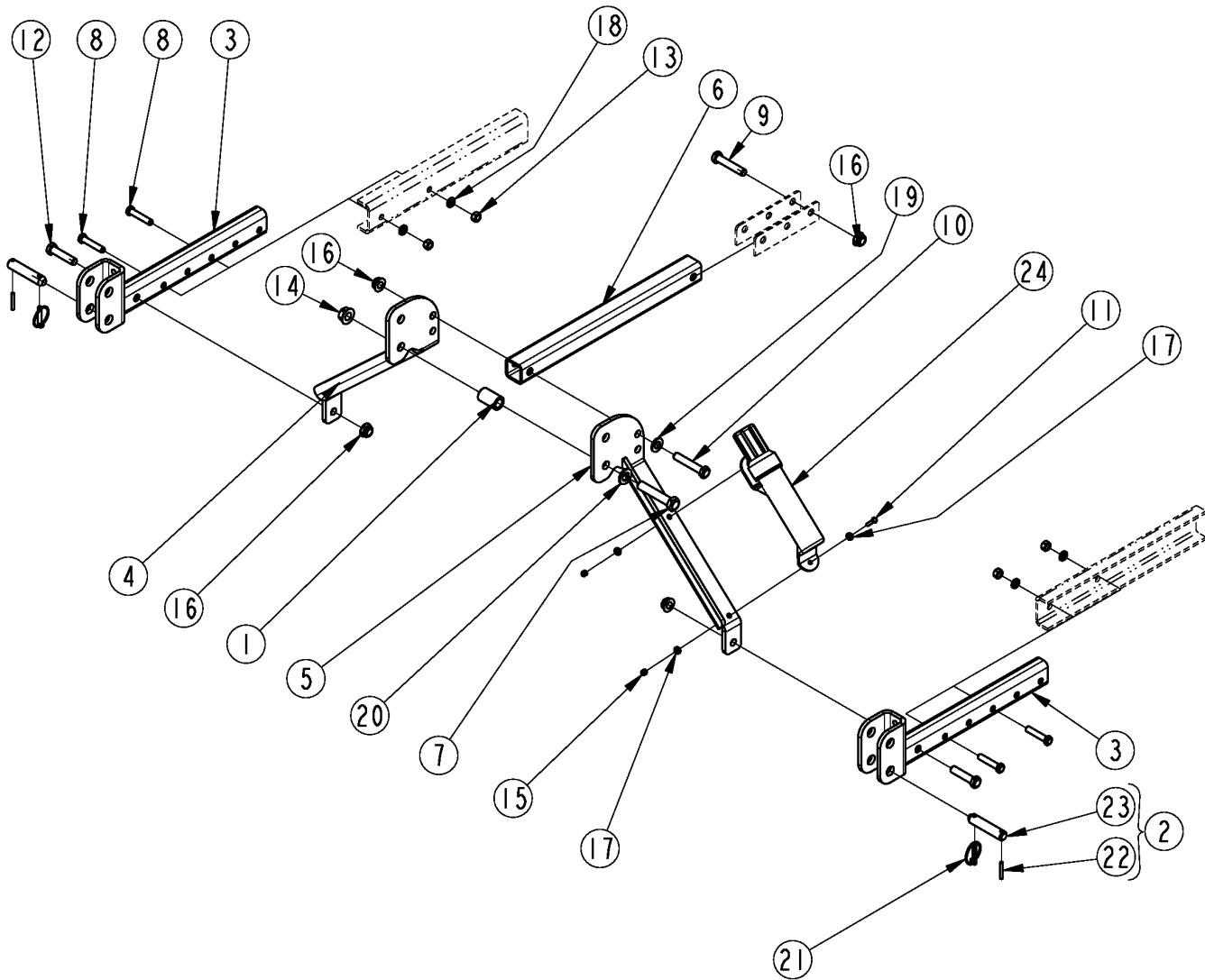
37068

Frame & Chute**Applies to SB1574 S/N 881641+**

Ref	Part No.	Part Description	Comments	Revision
	dwg37068	Drawing Image Number		
1.	370-071H	CHUTE WELD 15 SERIES		
2.	370-072H	SPOUT WELD 15 SERIES		
3.	370-142D	TILT PIVOT PIN 15 SERIES		
4.	370-168D	BEARING STRAP		
5.	370-416H	DECK WELDMENT 1574		
5.	370-416H81	DECK WELDMENT 1574 GREEN		
5.	370-416H82	DECK WELDMENT 1574 ORANGE		
5.	370-416H83	DECK WELDMENT 1574 RED		
6.	370-454S	CHUTE BEARING BUNDLE		
7.	370-724D	FRONT CHUTE GUARD 15		
8.	370-762D	ROTATION STOP SB74/84		
9.	802-014C	HHCS 3/8-16X3/4 GR5		
10.	802-022C	HHCS 3/8-16X1 1/2 GR5		
11.	802-163C	HHCS #10-24X1/2 GR5		
12.	803-013C	NUT LOCK 3/8-16 PLT		
13.	803-014C	NUT HEX 3/8-16 PLT		
14.	803-268C	NUT HEX NYLOCK 10-24 PLT		
15.	804-012C	WASHER FLAT 3/8 SAE PLT		
16.	804-013C	WASHER LOCK SPRING 3/8 PLT		
17.	804-239C	WASHER MACH .379IDX.75ODX.015		
18.	805-363C	PIN COTTER 1/8 X 1		
19.	817-871C	CHUTE BEARING UHMW 10"		
20.	822-253C	BRG, .393 ID X 1.181 OD X .354		

Hitch Components

Applies to SB1574 S/N 881641+



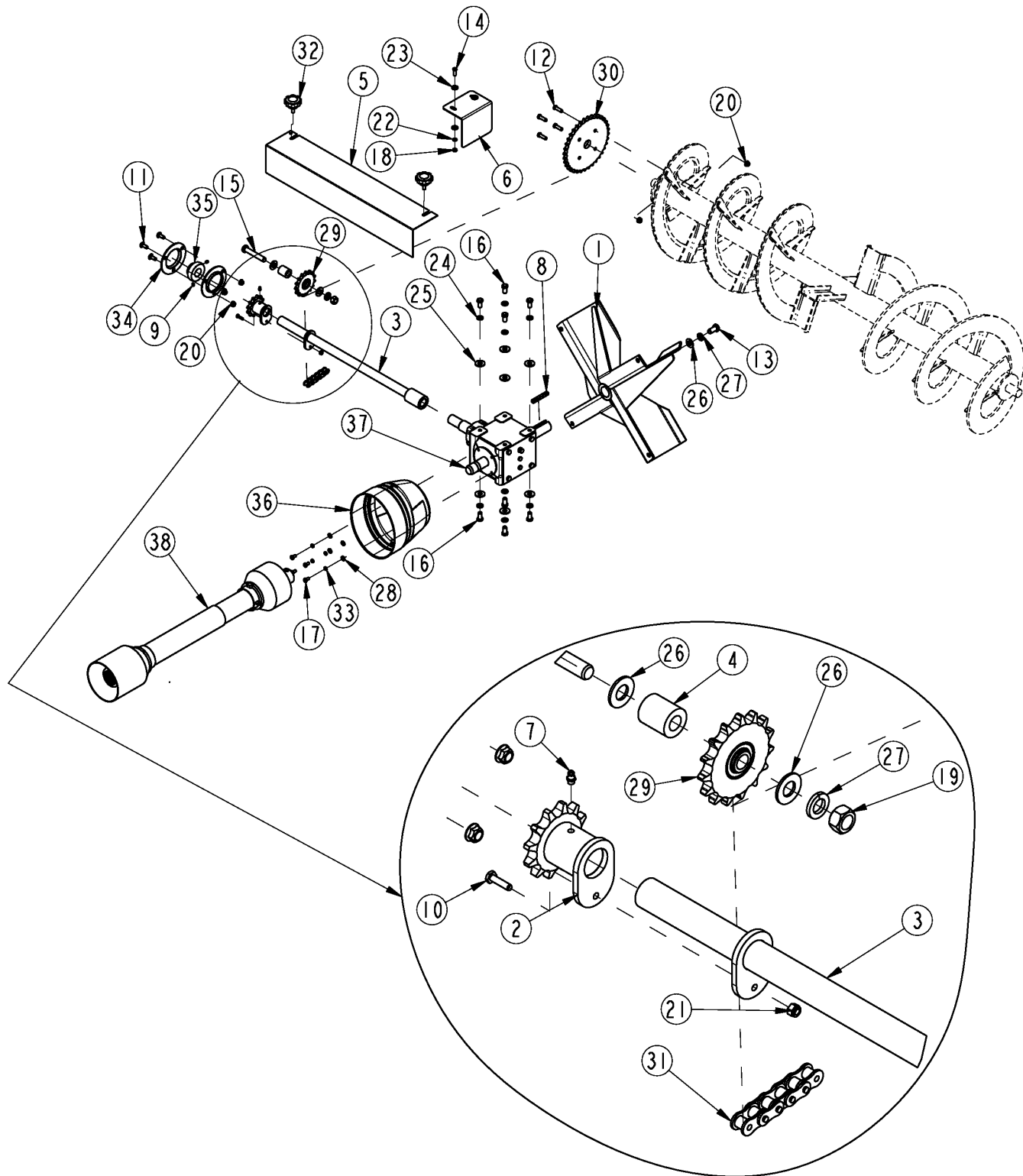
37069

Hitch Components**Applies to SB1574 S/N 881641+**

Ref	Part No.	Part Description	Comments	Revision
	dwg37069	Drawing Image Number		
1.	308-400D	SPACER 1 1/4OD X 13/16ID X 2LG		
2.	310-020S	LOWER HITCH PIN		
3.	370-401H	ARM 3 PT TELE		
4.	370-463H	UPPR HTCH BAR RH WMT 10 SERIES	S/N 881641+	
4.	370-165D	RPBY 370-436H	S/N 881640-	
5.	370-464H	UPPR HTCH BAR LH WMT 10 SERIES	S/N 881641+	
5.	370-166D	RPBY 370-464H	S/N 881640-	
6.	370-707D	FRAME TUBE UPPER 15		
7.	802-068C	HHCS 3/4-10X4 GR5		
8.	802-130C	HHCS 1/2-13X2 1/2 GR5		
9.	802-160C	HHCS 5/8-11X3 1/4 GR5		
10.	802-162C	HHCS 5/8-11X3 1/2 GR5		
11.	802-224C	HHCS 1/4-20X1 1/4 GR5		
12.	802-281C	HHCS 5/8-11X2 3/4 GR5		
13.	803-020C	NUT HEX 1/2-13 PLT		
14.	803-181C	NUT HEX FLANGE LOCK 3/4-10 PLT		
15.	803-255C	NUT HEX NYLOCK 1/4-20		
16.	803-263C	NUT HEX FLANGE LOCK 5/8-11 PLT		
17.	804-007C	WASHER FLAT 1/4 SAE PLT		
18.	804-015C	WASHER LOCK SPRING 1/2 PLT		
19.	804-021C	WASHER FLAT 5/8 SAE PLT		
20.	804-025C	WASHER FLAT 3/4 SAE PLT		
21.	805-015C	PIN LINCH 5/16 X 1 3/4		
22.	805-041C	PIN ROLL 1/4X1 3/4		
23.	805-198C	PIN CLVS HDLS .88X3.08 USBL		
24.	816-504C	MANUAL STORAGE CONTAINER		

Auger & Impeller Drive

Applies to SB1574 S/N 881641+



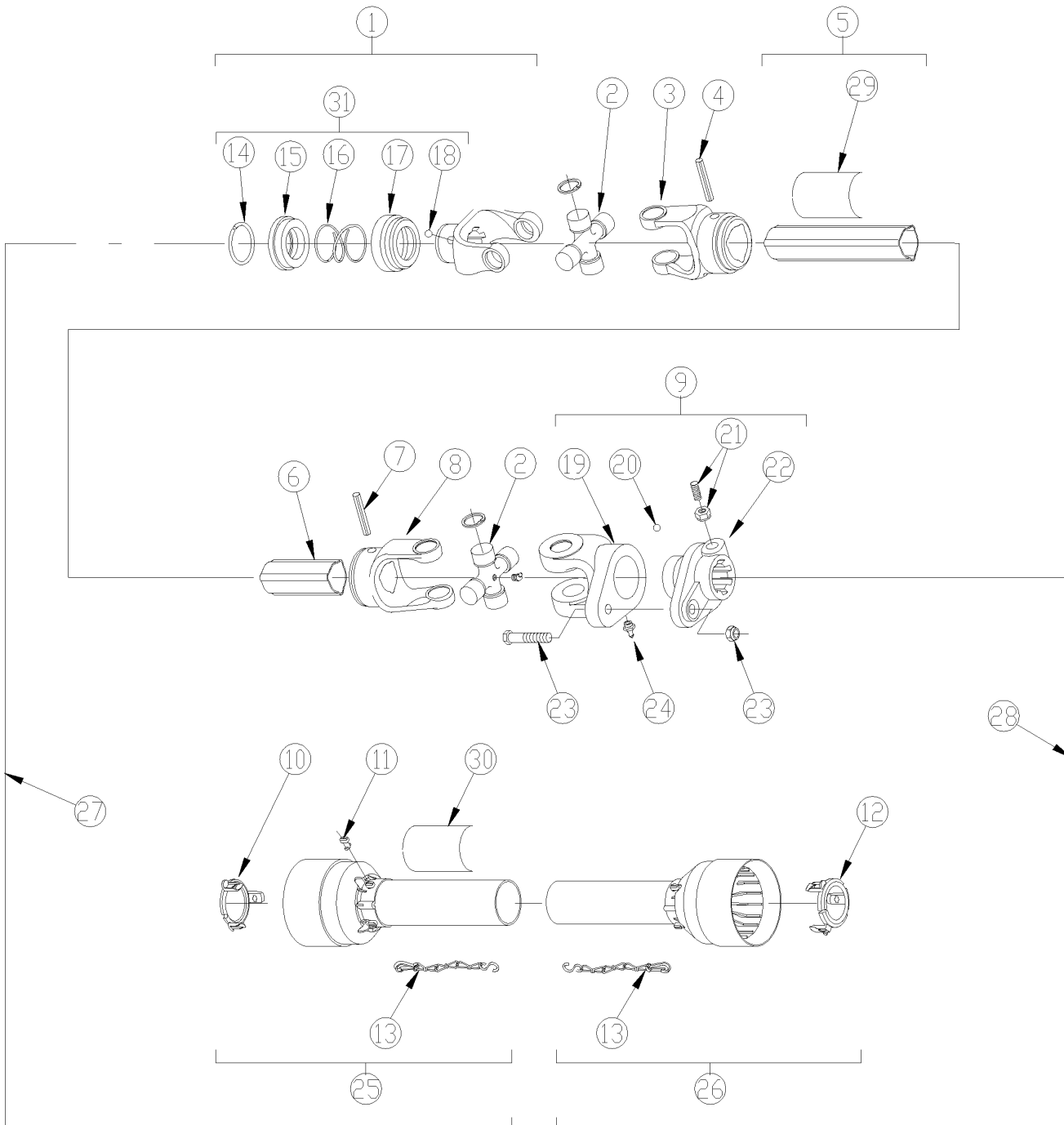
33086

Auger & Impeller Drive**Applies to SB1574 S/N 881641+**

Ref	Part No.	Part Description	Comments	Revision
	dwg33086	Drawing Image Number		
1.	370-039H	IMPELLER 24X8		
2.	370-059H	SHEAR BOLT WELDMENT		
3.	370-061H	REAR SHAFT 1574		
4.	370-683D	IDLER BUSHING 1.43L		
4.	370-147D	IDLER BUSHING		
5.	370-153D	REAR SHAFT GUARD 1574		
6.	370-644D	IDLER GUARD		
7.	800-080C	GREASE ZERK 1/4-28 THD FORMING		
8.	800-402C	KEY 3/8 X 3/8 X 3		
9.	801-027C	SCREW SET 5/16-24 SKT KP X 5/16		
10.	802-005C	HHCS 1/4-20X1 GR5		
11.	802-015C	RHSNB 3/8-16X1 GR5		
12.	802-079C	HHCS 3/8-16X1 1/4 GR5		
13.	802-102C	HHCS 5/8-11X1 1/4NYL GR5		
14.	802-159C	HHCS 5/16-18X1 GR5		
15.	802-153C	HHCS 5/8-11X3 3/4 GR5		
15.	802-162C	HHCS 5/8-11X3 1/2 GR5		
16.	802-258C	HHCS 1/2-13X1 GR5		
17.	802-459C	HHCS M8X1.25X16 GR8.8		
18.	803-008C	NUT HEX 5/16-18 PLT		
19.	803-021C	NUT HEX 5/8-11 PLT		
20.	803-209C	NUT FLANGE LOCK 3/8-16 PLT		
21.	803-255C	NUT HEX NYLOCK 1/4-20		
22.	804-009C	WASHER LOCK SPRING 5/16 PLT		
23.	804-010C	WASHER FLAT 5/16 USS PLT		
24.	804-015C	WASHER LOCK SPRING 1/2 PLT		
25.	804-017C	WASHER FLAT 1/2 USS PLT		
26.	804-021C	WASHER FLAT 5/8 SAE PLT		
27.	804-022C	WASHER LOCK SPRING 5/8 PLT		
28.	804-161C	WASHER FLAT M8 PLT		
29.	808-400C	60C15 IDLER SPROCKET W/BEARING		
30.	808-423C	SPKT 6036X W/4 HOLES		
31.	809-301C	CHAIN RL #60 - 84 PITCH W/CON		
32.	817-358C	KNOB 3/8-16 MALE THD 2 3/8OD		
33.	804-157C	WASHER SPRING LOCK M8 PLT		
34.	822-218C	FLANGETTE 72MM 3-BOLT PLT		
35.	822-250C	BRG, 1.25 ID X 2.8346 X 1.26		
36.	826-240C	SMALL SHAFT CONE W ACCESS DOOR		
37.	826-654C	GBOX 1:1 CCW		
38.	826-687C	DRIVELINE 540 1290 SHEARBOLT		

Driveline (826-687C) Comer

Applies to SB1574 S/N 881641+



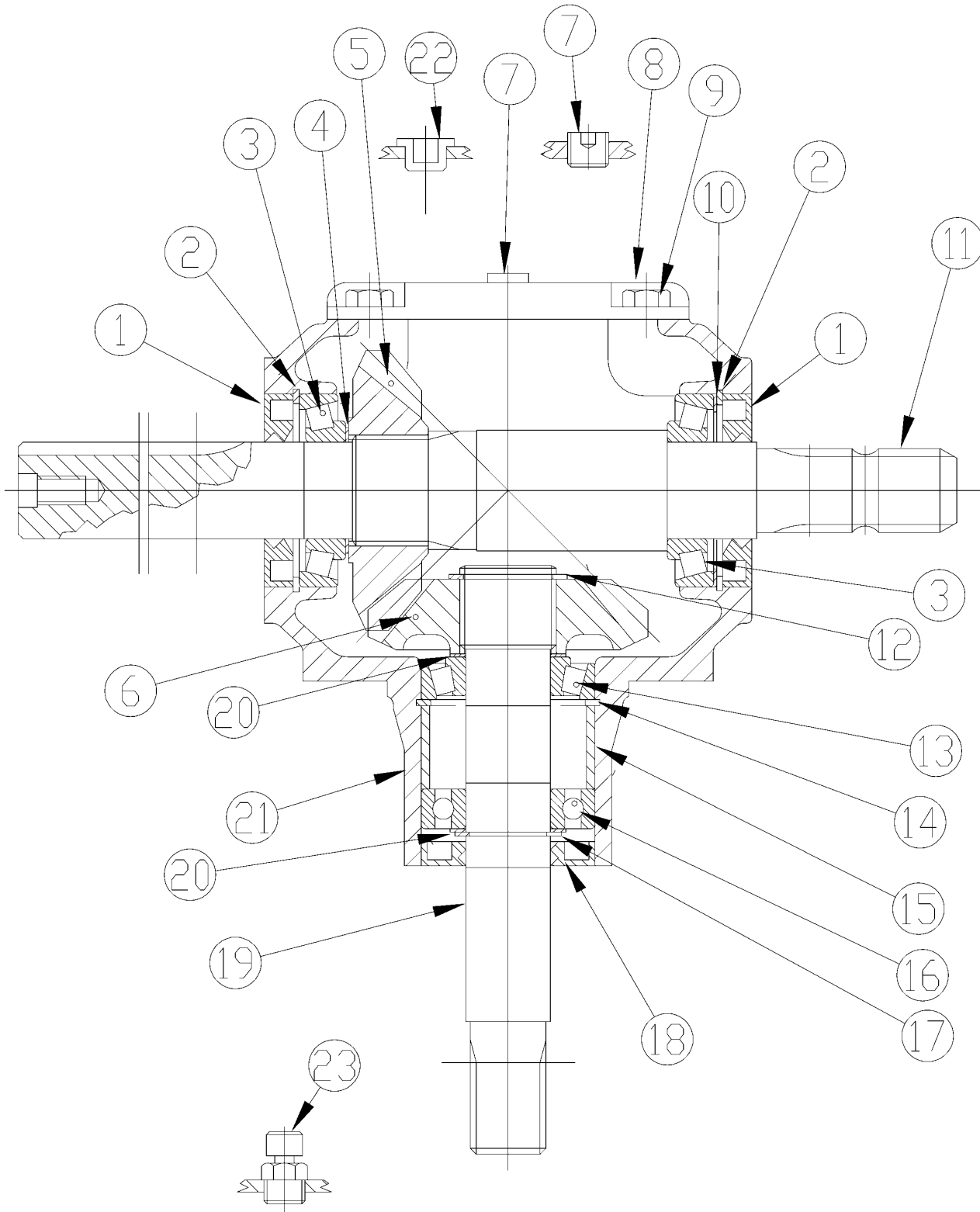
33117

Driveline (826-687C) Comer**Applies to SB1574 S/N 881641+**

Ref	Part No.	Part Description	Comments	Revision
	dwg33117	Drawing Image Number		
	826-687C	DRIVELINE 540 1290 SHEARBOLT *		
1.	141.024.430.1	CO COMPLETE COLLAR YOKE C12		
2.	180.014.130	CO CROSS JOURNAL SET		
3.	151.014.006.1	CO OUTER YOKE		
4.	190.000.014	CO ROLL PIN FOR OUTER TUBE		
5.	152.140.2090710	CO OUTER TUBE		
6.	153.140.109	CO INNER TUBE		
7.	190.000.012	CO ROLL PIN FOR INNER TUBE		
8.	151.014.007.1	CO INNER YOKE		
9.	143.240.011.1	CO COMPLETE SHEAR BOLT (55XM8)		
10.	180.014.233	CO GRD COLLER OUTER TUBE		
11.	180.014.240	COMER BOLT		
12.	180.014.232	CO GRD COLLER INNER		
13.	180.016.636	CO SAFETY CHAINS	S/N 946471-	
14.	N/A	COMER OUTER CIRCLIP		
15.	N/A	COMER SLIDING SLEEVE COLLER		
16.	N/A	COMER SPRING		
17.	N/A	COMER FIXED SLEEVE		
18.	N/A	COMER BALL 1/2"		
19.	N/A	CO YOKE FO HUB B32 (55XM8)		
20.	N/A	CO BALL DIA 1/4"		
21.	165.000.525	CO BALL & NUT M12X70 C1.8.8		
22.	N/A	CO HUB B32 (55XM8)		
23.	165.000.571	CO BOLT & NUT M8X50 C1.6.6		
24.	190.000.020	COMER GREASE FITTING		
25.	142.241.1687421	CO HALF FEMALE GUARD		
26.	142.241.2417421	CO HALF MALE SHIELD		
27.	123.340.256.11	CO HALF FEMALE SHFT W/GUARDING		
28.	123.440.704.11	CO HALF MALE SHAFT W/GUARDING		
29.	190.000.098	COMER DANGER LABEL OUTER TUBE		
30.	190.000.099	COMER DANGER LABEL GUARD OUTER		
31.	165.000.628	COMER COLLOR KIT 1-3/8 YOKE		

Gear Box (826-654C)

Applies to SB1574 S/N 881641+



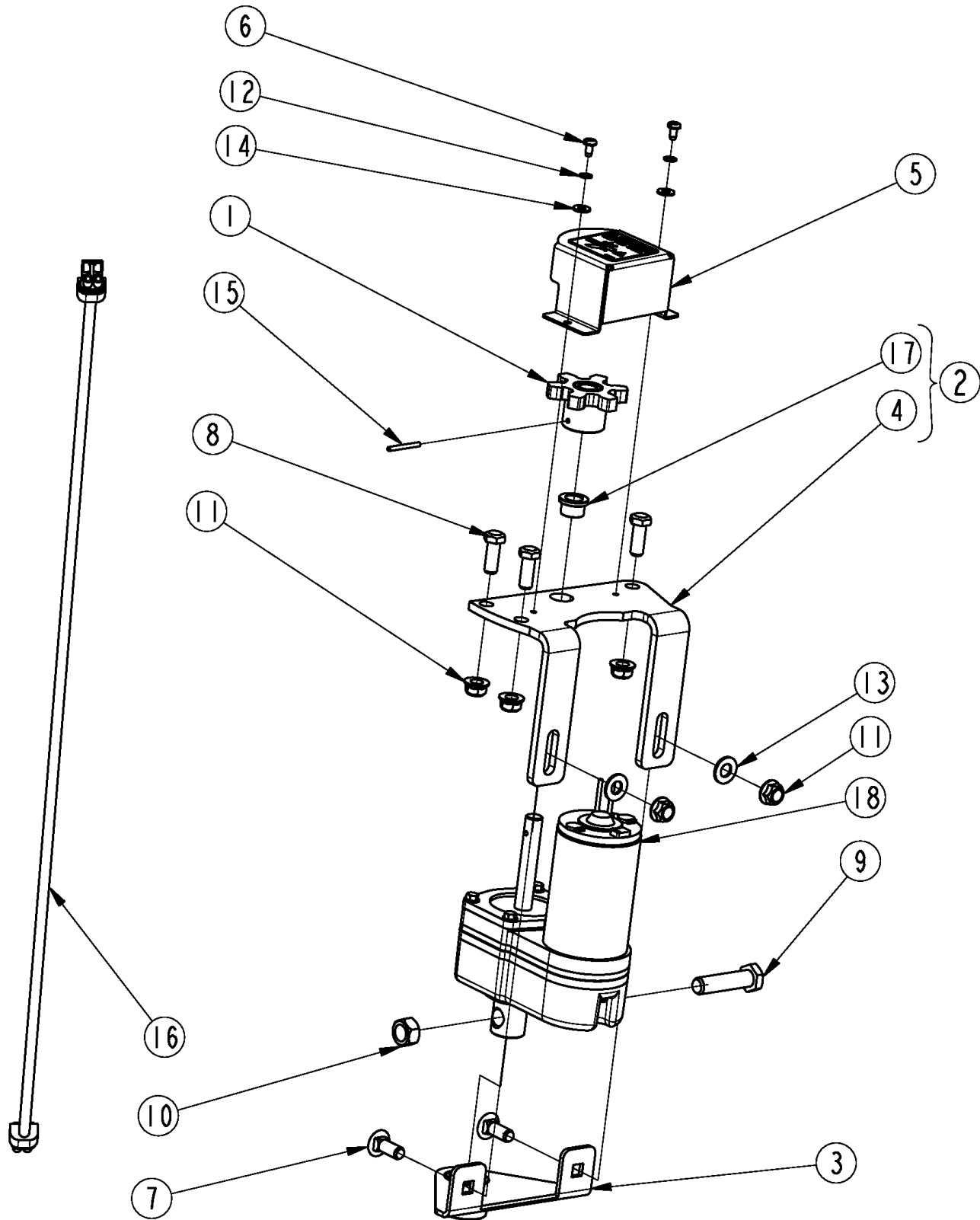
33119

Gear Box (826-654C)**Applies to SB1574 S/N 881641+**

Ref	Part No.	Part Description	Comments	Revision
	dwg33119	Drawing Image Number		
	826-654C	GBOX 1:1 CCW *		
1.	8.7.1.00748	CO DOUBLE LIP SEAL 40X80X12		
2.	8.5.2.00030	CO SNAP RING 80 UNI 7437		
3.	822-191C	BRG ROLLER 1.57IDX3.14OD SET		
4.	A244.501	CO SHIM 40.3 X 51.5 826-067C		
5.	0.132.5002.00	GEAR Z18 M6.15		
6.	0.267.5000.00	GEAR Z18 M6.15		
7.	8.6.6.00201	CO PLUG 3/8 GAS (SOLID PLUG)		
8.	0.267.1500.00	COVER		
9.	8.1.1.00209	BOLT M10X16 HHB 8.8		
10.	A110.500	COMER SHIM 79.7 RTA35		
11.	0.267.4221.00	THROUGH SHAFT		
12.	8.5.1.00029	CO SNAP RING 40 UNI 7435		
13.	822-167C	BRG ROLLER 1.37IDX2.83OD SET		
14.	8.5.2.00131	CO SNAP RING INT 72 UN17437		
15.	0.267.7100.00	CO SPACER		
16.	822-166C	BRG BALL 1.37IDX2.83OD 6207		
17.	8.5.1.00005	CO SNAP RING EXT 35 UN17435		
18.	8.7.1.00152	OIL SEAL, 35 X 72 X 12/10		
19.	0.267.2000.00	SHAFT 16/32" Z19		
20.	A.259.500	CO ADJUST SPACER KIT, 35.3 X48		
21.	N/A	CASING		
22.	8.6.0.01684	SUB PLUG		
23.	826-503C	COMER VENT 8.6.7.00161		

Chute Adjustment Electric

Applies to SB1574 S/N 881641+



37060

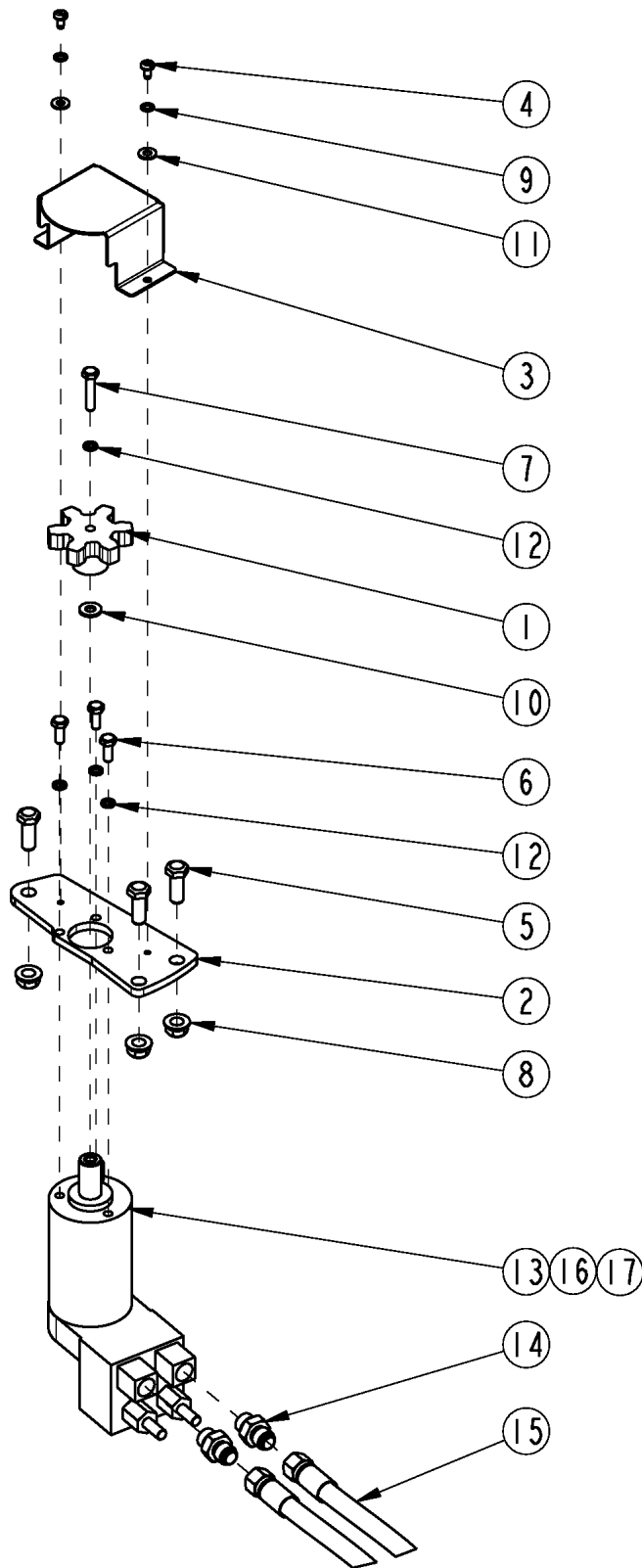
Chute Adjustment Electric

Applies to SB1574 S/N 881641+

Ref	Part No.	Part Description	Comments	Revision
	dwg37060	Drawing Image Number		
	370-397A	CHUTE ROTATION ELECTRIC		
	*			
1.	370-393H	ROTATION GEAR		
2.	370-398K	SHAFT STABILIZER		
3.	370-399H	MOTOR MOUNT ELECTRIC		
4.	370-700D	ELECTRIC MOTOR MOUNT		
5.	370-705D	GEAR GUARD		
6.	801-171C	SCREW PAN HD 10-24X3/8 TYPE F		
7.	802-015C	RHSNB 3/8-16X1 GR5		
8.	802-017C	HHCS 3/8-16X1 GR5		
9.	802-128C	HHCS 1/2-13X2 GR5		
10.	803-019C	NUT LOCK 1/2-13 PLT		
11.	803-209C	NUT FLANGE LOCK 3/8-16 PLT		
12.	804-004C	WASHER INTERNAL STAR #10 PLT		
13.	804-012C	WASHER FLAT 3/8 SAE PLT		
14.	804-046C	WASHER FLAT #10 SAE PLT		
15.	805-136C	PIN ROLL 1/8 X 1 1/4 LG. PLT		
16.	823-379C	HARNESS ELEC. ROTATION		
17.	827-115C	BUSH .50IDX.81ODX.50 HD OILITE		
18.	833-543C	ROTATOR ELEC.		

Chute Adjustment Hydraulic

Applies to SB1574 S/N 881641+



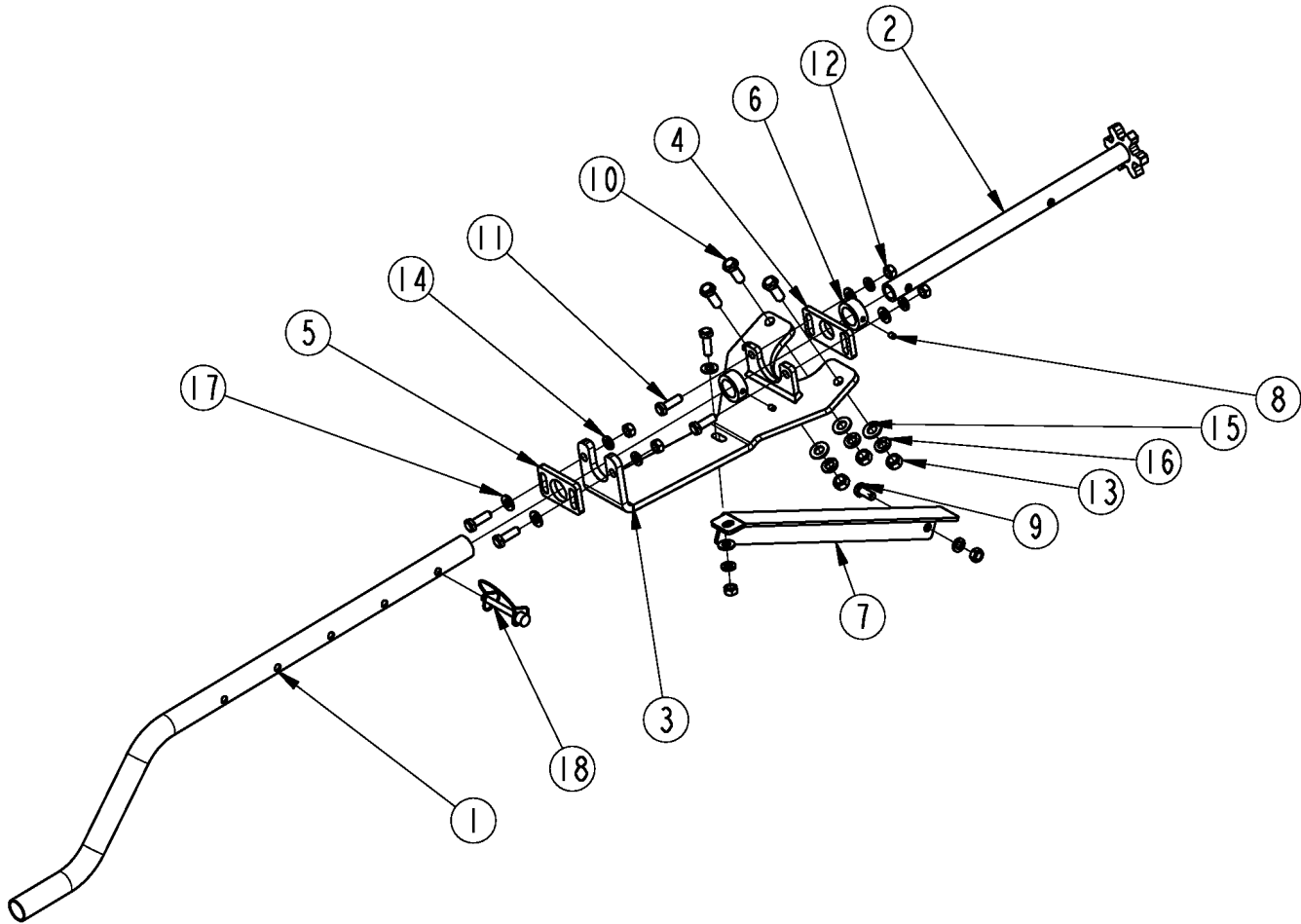
37062

Chute Adjustment Hydraulic**Applies to SB1574 S/N 881641+**

Ref	Part No.	Part Description	Comments	Revision
	dwg37062	Drawing Image Number		
	370-396A	CHUTE ROTATION HYD *		
1.	370-392H	ROTATION GEAR		
2.	370-699D	MOTOR MOUNT		
3.	370-705D	GEAR GUARD		
4.	801-171C	SCREW PAN HD 10-24X3/8 TYPE F		
5.	802-017C	HHCS 3/8-16X1 GR5		
6.	802-741C	HHCS M6X1X15 GR8.8 PLT		
7.	802-954C	HHCS M6X1X30 GR8.8		
8.	803-209C	NUT FLANGE LOCK 3/8-16 PLT		
9.	804-004C	WASHER INTERNAL STAR #10 PLT		
10.	804-007C	WASHER FLAT 1/4 SAE PLT		
11.	804-046C	WASHER FLAT #10 SAE PLT		
12.	804-226C	WASHER LOCK M6 PLT		
13.	810-751C	HYD MOTOR W/CROSS RELIEF		
14.	811-170C	AD 9/16MORB 9/16MJIC		
15.	841-773C	HH3/8R2 81.84 .56FJIC.75MORB		
16.	ZHSK-EBMM	SEAL KIT FOR EBMM MOTORS		
17.	SK-SCR0622000A	SEAL KIT FOR CUSHION JCK06-22-00		

Chute Adjustment Manual

Applies to SB1574 S/N 881641+



37065

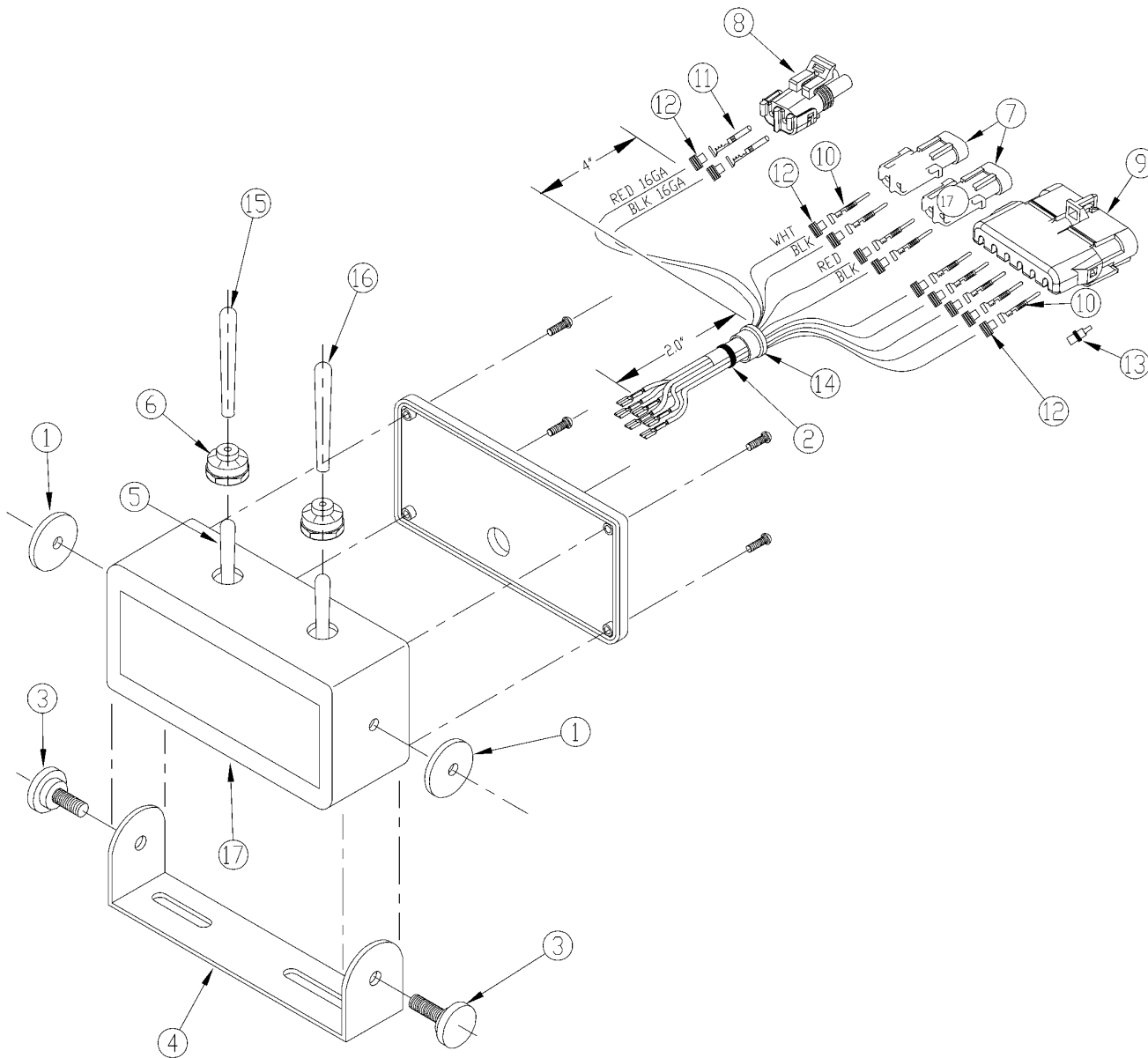
Chute Adjustment Manual

Applies to SB1574 S/N 881641+

Ref	Part No.	Part Description	Comments	Revision
	dwg37065	Drawing Image Number		
	370-457A	ROTATION BUNDLE MANUAL		
	*			
1.	370-208D	ROTATION HANDLE		
2.	370-455H	SPROCKET SHAFT		
3.	370-456H	ROTATION MOUNT MANUAL		
4.	370-755D	SHAFT INNER HANGER		
5.	370-757D	SHAFT ADJ OUTER		
6.	370-758D	SHAFT STOP COLLAR		
7.	370-763D	ROTATION BRACE		
8.	801-019C	SCREW SET SH 1/4-20 X 1/4 LG.		
9.	802-007C	HHCS 5/16-18X3/4 GR5		
10.	802-017C	HHCS 3/8-16X1 GR5		
11.	802-159C	HHCS 5/16-18X1 GR5		
12.	803-008C	NUT HEX 5/16-18 PLT		
13.	803-014C	NUT HEX 3/8-16 PLT		
14.	804-009C	WASHER LOCK SPRING 5/16 PLT		
15.	804-012C	WASHER FLAT 3/8 SAE PLT		
16.	804-013C	WASHER LOCK SPRING 3/8 PLT		
17.	804-036C	WASHER FLAT 5/16 SAE PLT		
18.	805-065C	PIN WIRE RETAINING 1/4 X 1 3/4		

Control Box (823-377C)

Applies to SB1574 S/N 881641+



33091

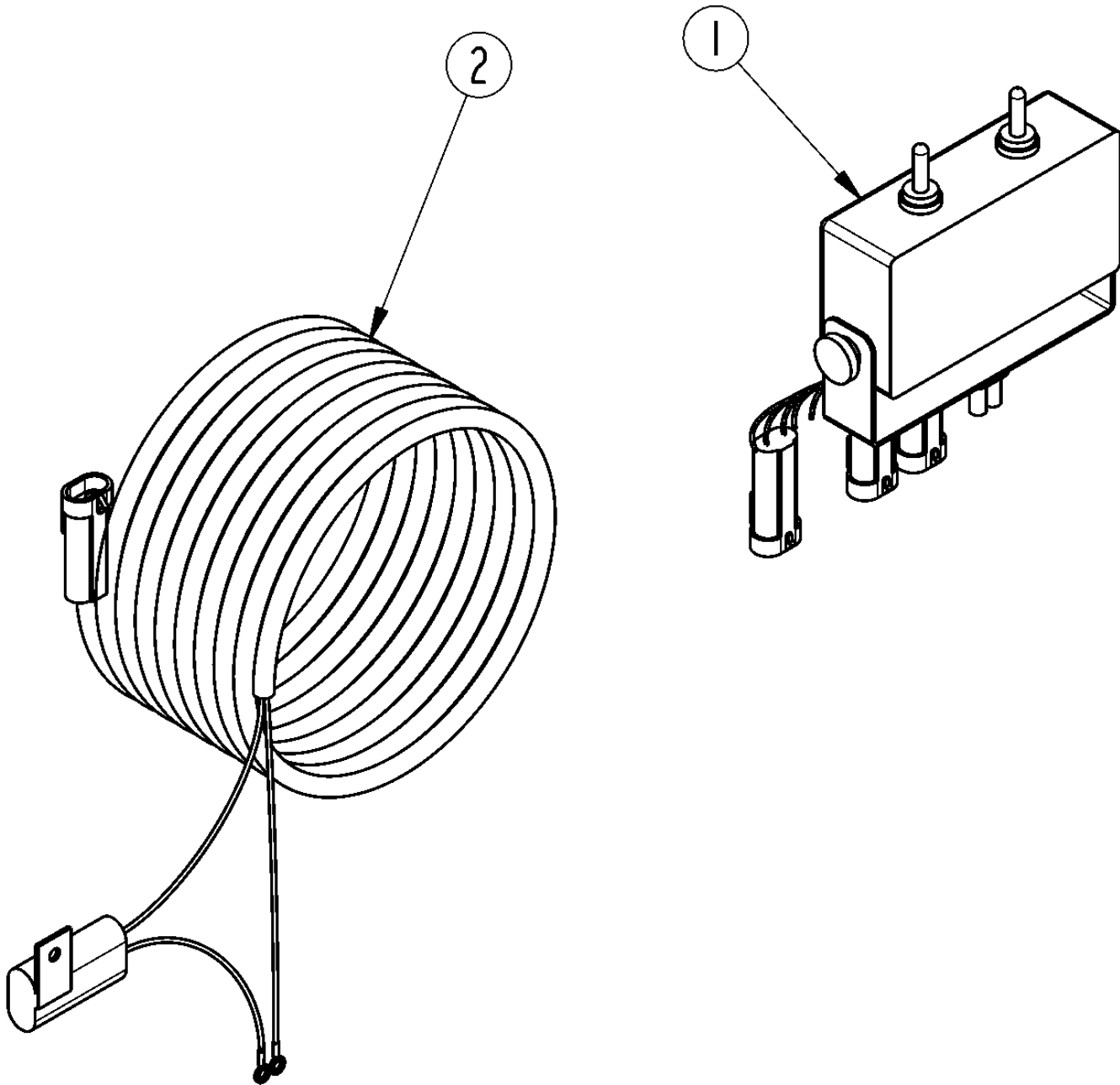
Control Box (823-377C)

Applies to SB1574 S/N 881641+

Ref	Part No.	Part Description	Comments	Revision
	dwg33091 823-377C	Drawing Image Number CONTROL BOX SNOW BLOWER *		
1.	213-005	FASSE WSHR RBR1ODX1/4IDX1/16TK		
2.	800-303C	CABLE TIE 2 DIA MIN - BLK		
3.	219-007	FASSE SCR THUMB BLK 1/4-20X1/2		
4.	219-009	FASSE BRKT ALM 4.70 #1591C		
5.	250-007	FASSE SW TOG DPDT 3P MOM SHORT		
6.	250-023	FASSE SW TOG BOOT OPN BLK		
7.	255-092	FASSE CNTR WP 2 PIN SHROUD		
8.	255-093	WEATHERPACK CTR 2 PIN SHROUD		
9.	255-098	CNTR WP 6 PIN SHROUD		
10.	255-102	WEATHERPACK CTR MALE TRM 14/16		
11.	255-103	WEATHERPACK CNTR F TRM 14/16		
12.	255-104	WEATHERPACK CNTR CABLE SEAL GR		
13.	255-186	CNTR WP CAVITY PLUG		
14.	259-001	FASSE GROMMET .5000D SNAP		
15.	259-004	FASSE SW TOG GRP VNYL WHT .187		
16.	259-005	FASSE SW TOG GRP VNYL RED .187		
17.	304-345	ECL 1591CBK/6060A-2X1/2SWSXTSX		

Electric Switch Box Harness

Applies to SB1574 S/N 881641+



33090

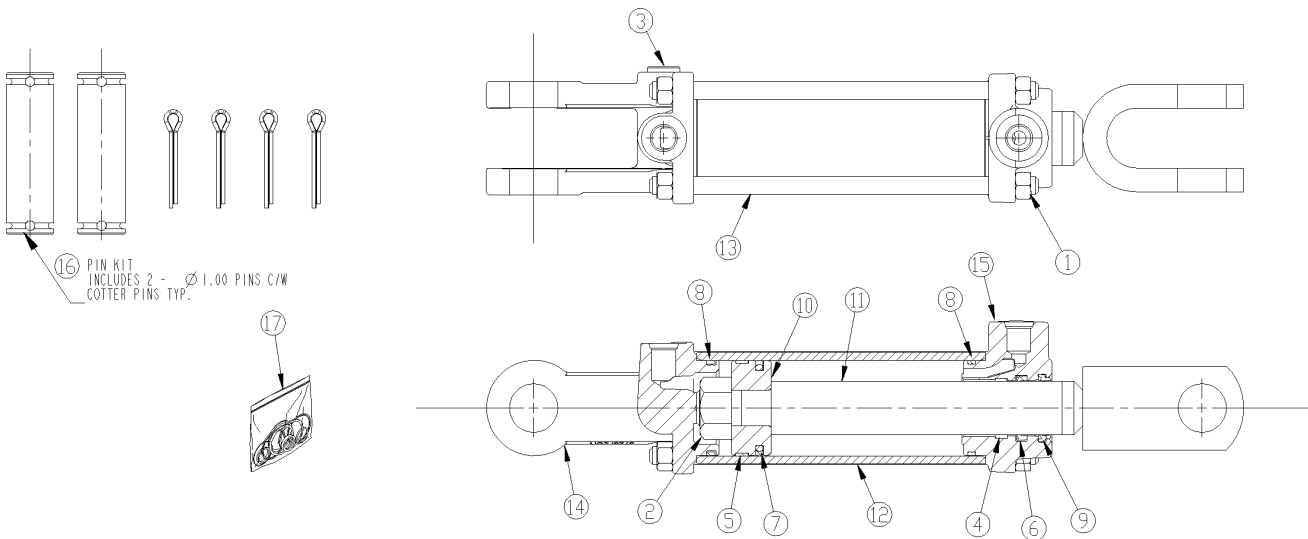
Electric Switch Box Harness

Applies to SB1574 S/N 881641+

Ref	Part No.	Part Description	Comments	Revision
	dwg33090	Drawing Image Number		
	370-118A	HARNESS SNOW BLOWER ELECTRIC *		
1.	823-377C	CONTROL BOX SNOW BLOWER		
2.	823-386C	HARNESS, POWER		

Hydraulic Cylinder Double Acting (810-125C) Lion

Applies to SB1574 S/N 881641+

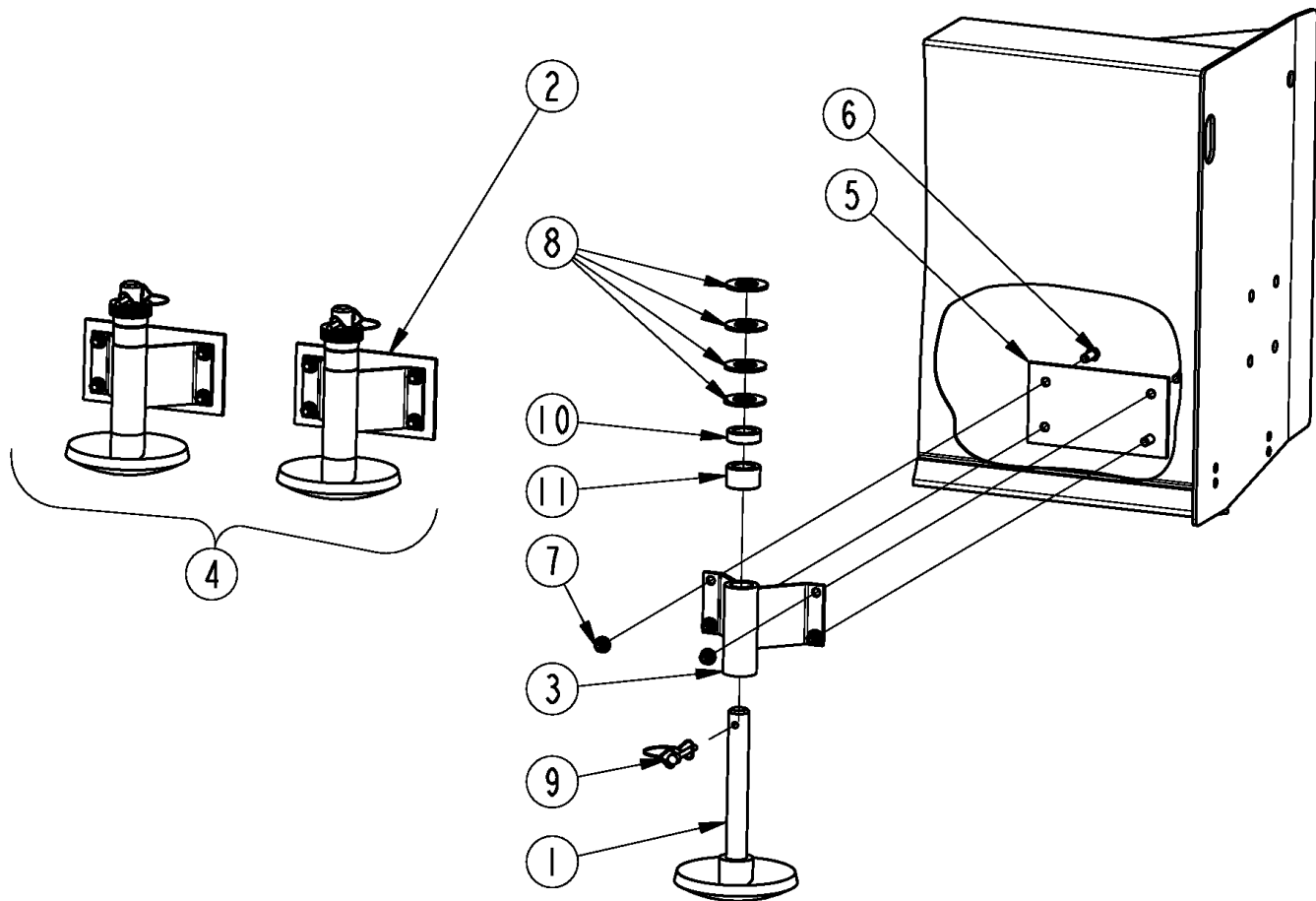


Hydraulic Cylinder Double Acting (810-125C) Lion**Applies to SB1574 S/N 881641+**

Ref	Part No.	Part Description	Comments	Revision
	dwg13565	Drawing Image Number		
	810-125C	CYL 2X4X1.12 ROD DBL ACTING *		
1.	803-014C	NUT HEX 3/8-16 PLT		
2.	130556	MON PISTON NUT		
3.	186561	PLUG 9/16-18UNF MORB SOCKET HD		
4.	N/A	MON WEAR RING 1.25-1.13-0.250	In Seal Kit Item #17	
5.	N/A	MON WEAR RING 2.00-1.88-0.260	In Seal Kit Item #17	
6.	N/A	MON SEAL ZURCON U-CUP RU9 1.13	In Seal Kit Item #17	
7.	N/A	MON SEAL ZURCON WYNSEAL 2.00	In Seal Kit Item #17	
8.	N/A	MON SEAL DUAL 2.00-.170	In Seal Kit Item #17	
9.	N/A	MON SEAL WIPER 1.13 WNUC TSS	In Seal Kit Item #17	
10.	258851	MON PISTON 2.00-.75-TSS-ISO-WR		
11.	437208	LION ROD WLDMT 1 1/8X4 STROKE		
12.	491604	LION CYL. TUBE 2 X 4		
13.	492214	MON TIE ROD 3/8-04		
14.	492669	MON CLEVS CAP 2.00-9/16ORB-1.0		
15.	494382	MON ROD CAP 2.0-1.12-9/16ORB-TS		
16.	235005	MON PIN KIT 1.00C/W COTTER PIN		
17.	810-883C	MON SEAL KIT 620271		

Inner Skid Shoes

Applies to SB1574 S/N 881641+



33073

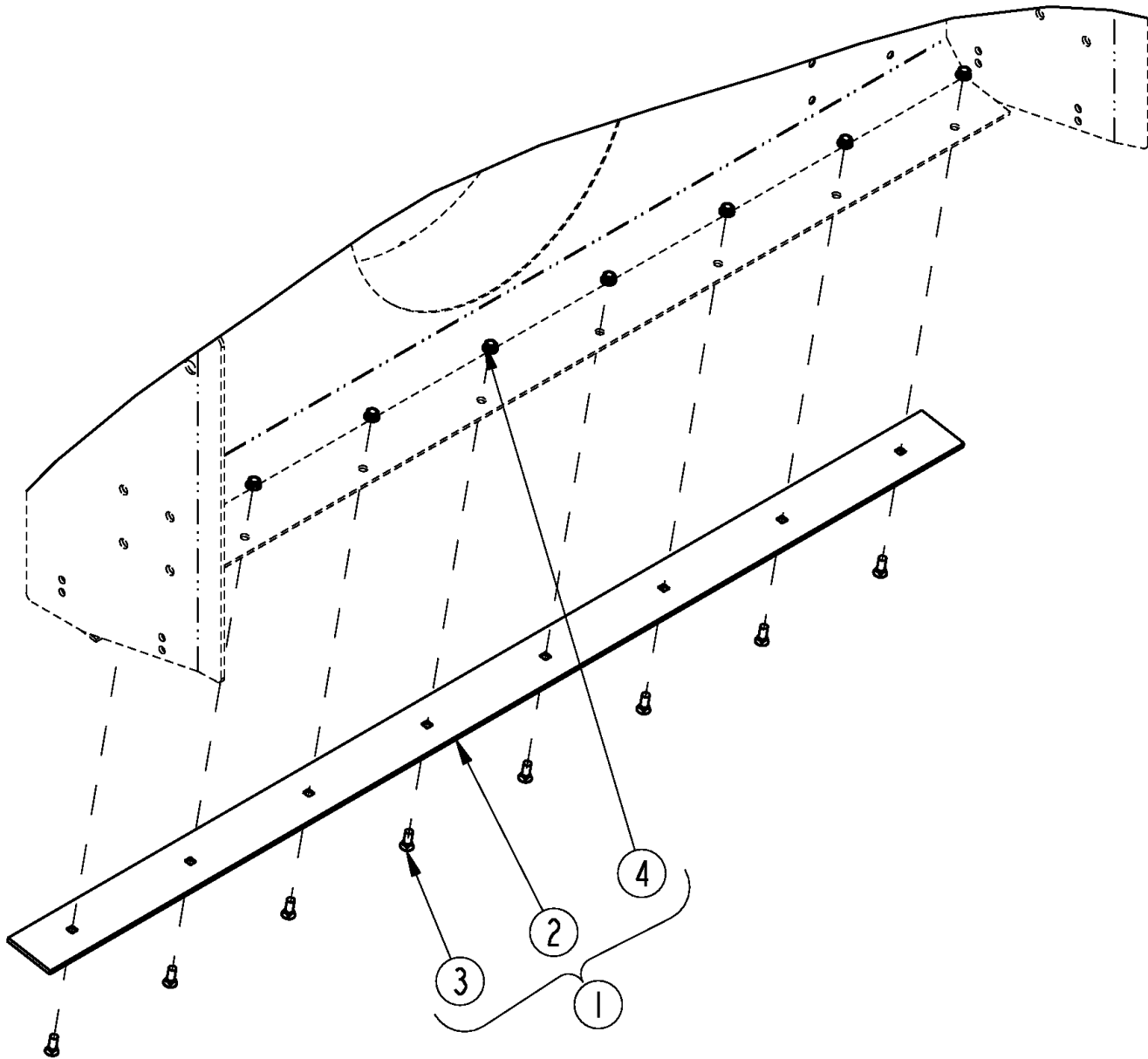
Inner Skid Shoes

Applies to SB1574 S/N 881641+

Ref	Part No.	Part Description	Comments	Revision
	dwg33073	Drawing Image Number		
1.	301-293H	WELDMENT, TB SKID SHOE		
2.	370-103K	SKID SHOE ASSEMBLY		
3.	370-104H	SKID SHOE MOUNT		
4.	370-105A	SKID SHOE BUNDLE		
5.	370-210D	SKID SHOE MOUNT INBOARD		
6.	802-017C	HHCS 3/8-16X1 GR5		
7.	803-209C	NUT FLANGE LOCK 3/8-16 PLT		
8.	804-029C	WASHER FLAT 1 SAE		
9.	805-065C	PIN WIRE RETAINING 1/4 X 1 3/4		
10.	827-001C	SPACER 1/2		
11.	827-002C	SPACER 1		

Lower Wear Bar Kit SB15

Applies to SB1574 S/N 881641+



33074

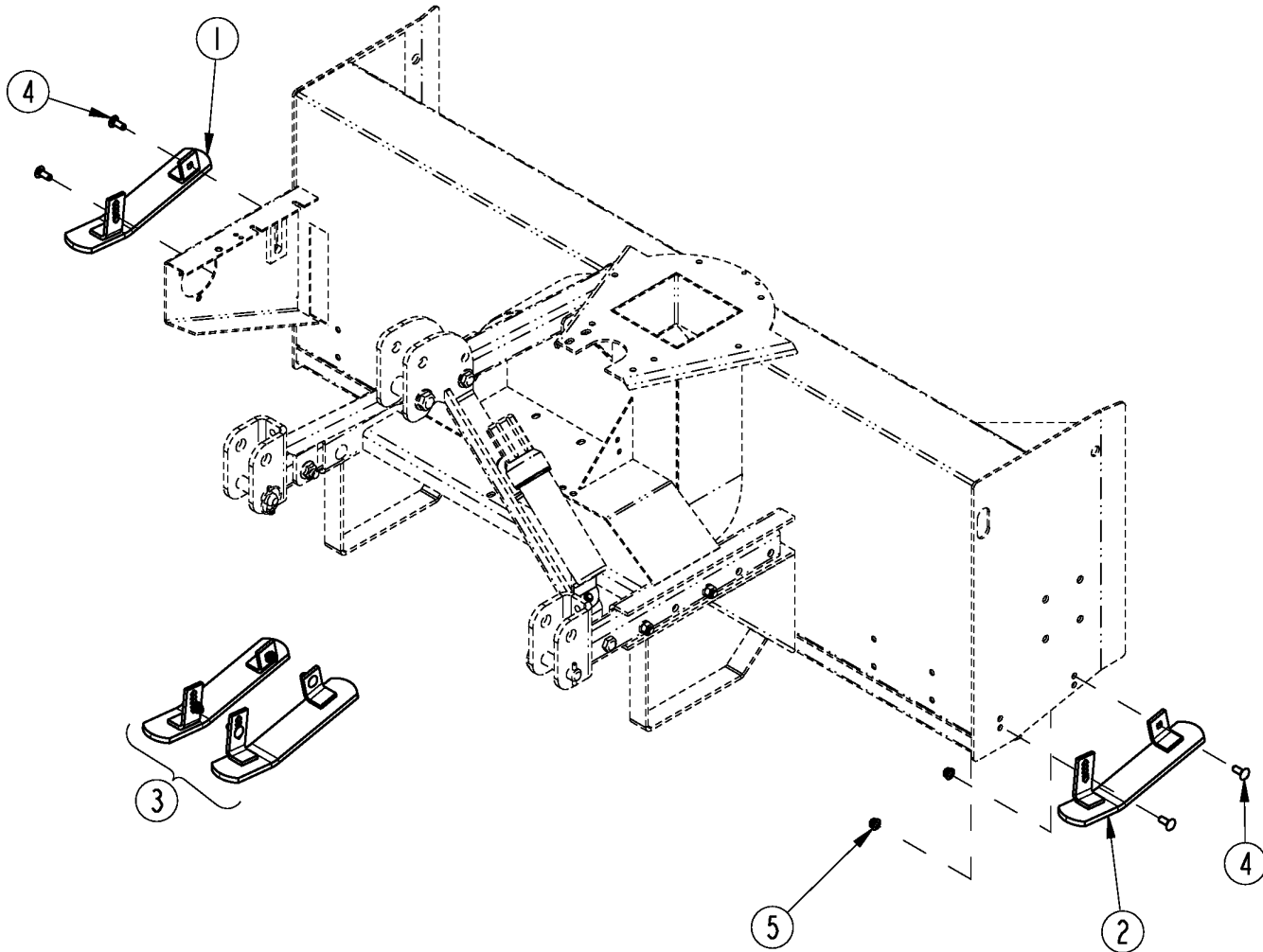
Lower Wear Bar Kit SB15

Applies to SB1574 S/N 881641+

Ref	Part No.	Part Description	Comments	Revision
	dwg33074	Drawing Image Number		
1.	370-108A	HARDENED WEAR BAR BUNDLE SB1574		
1.	370-444A	MILD WEAR BAR BUNDLE SB1574		
2.	370-213D	HARDENED WEAR BAR SB1574		
2.	370-744D	MILD WEAR BAR SB1574		
3.	802-603C	PLOW 3/8-16X1 GR5		
4.	803-209C	NUT FLANGE LOCK 3/8 - 16 PLT		

Outer Skid Shoes

Applies to SB1574 S/N 881641+



33072

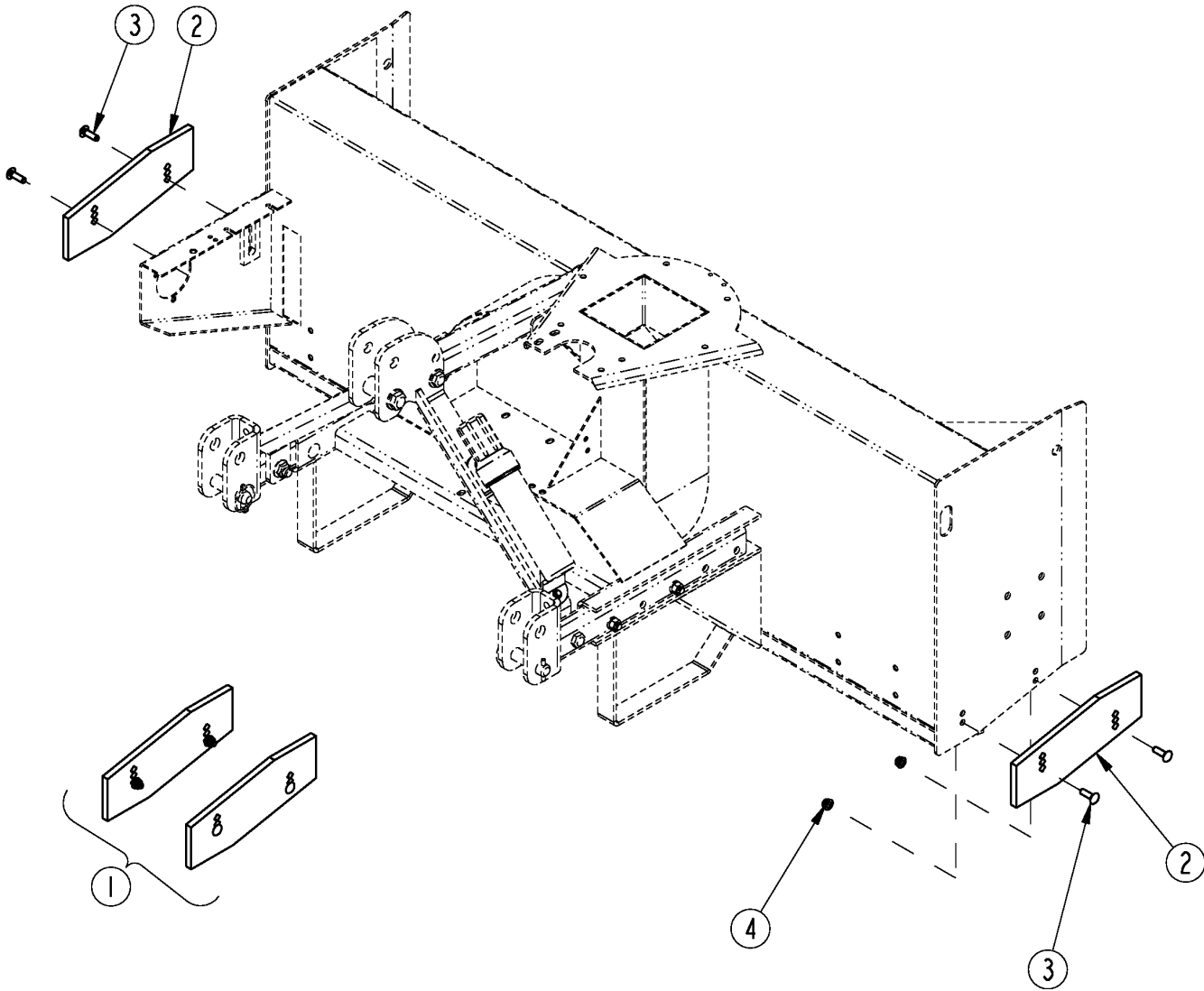
Outer Skid Shoes

Applies to SB1574 S/N 881641+

Ref	Part No.	Part Description	Comments	Revision
	dwg33072	Drawing Image Number		
1.	370-113H	SKID SHOE OUTER LH		
2.	370-114H	SKID SHOE OUTER RH		
3.	370-115A	OUTER SKID SHOE BUNDLE		
4.	802-015C	RHSNB 3/8-16X1 GR5		
5.	803-209C	NUT FLANGE LOCK 3/8-16		

Side Adjustment Plates

Applies to SB1574 S/N 881641+



33071

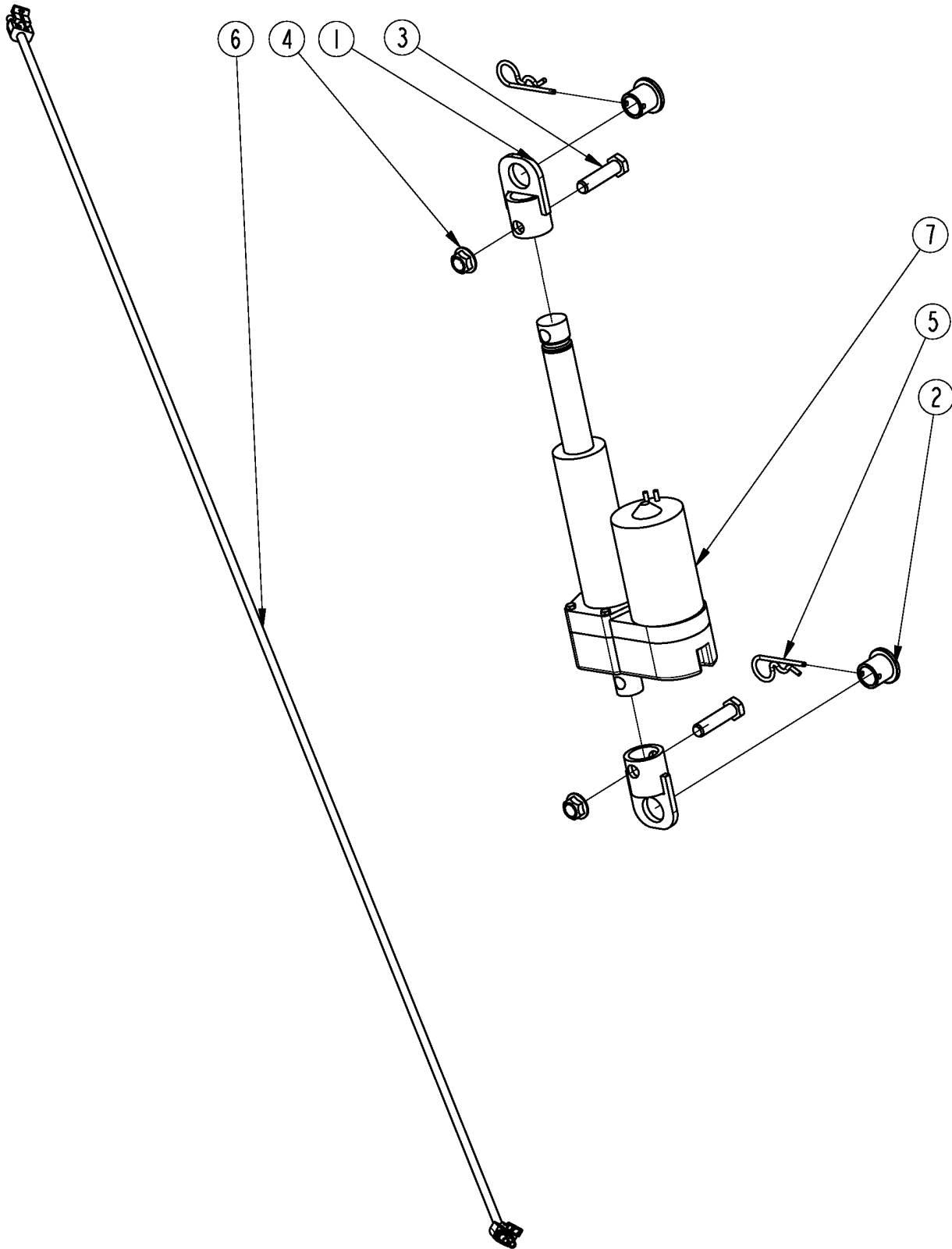
Side Adjustment Plates

Applies to SB1574 S/N 881641+

Ref	Part No.	Part Description	Comments	Revision
	dwg33071	Drawing Image Number		
1.	370-106A	SIDE PLATE ADJ BUNDLE		
2.	370-212D	SIDE PLATE ADJUSTABLE		
3.	802-155C	RHSNB 3/8-16X1 1/4 GR5		
4.	803-209C	NUT FLANGE LOCK 3/8-16 PLT		

Tilt Adjustment Electric

Applies to SB1574 S/N 881641+



33070

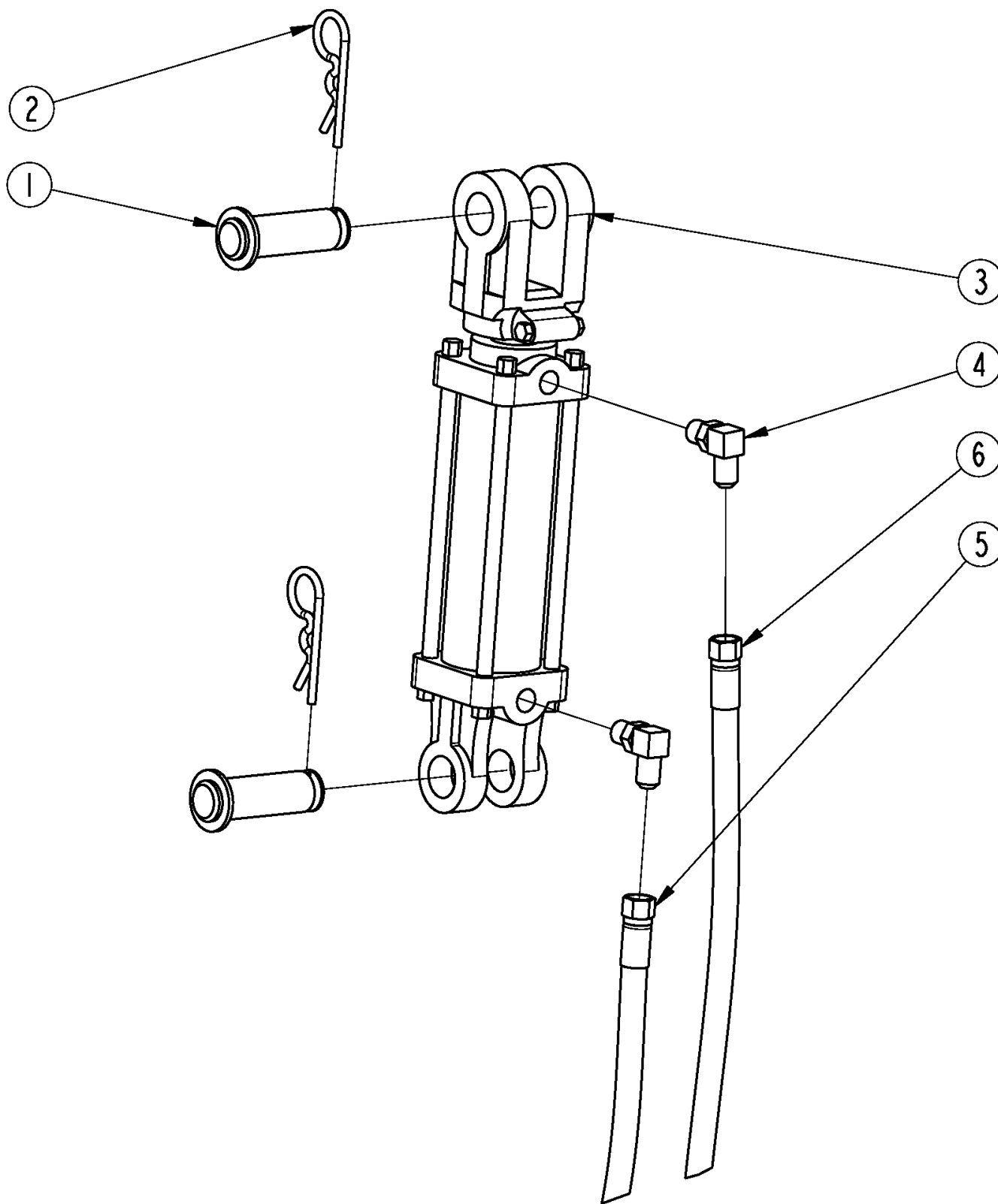
Tilt Adjustment Electric

Applies to SB1574 S/N 881641+

Ref	Part No.	Part Description	Comments	Revision
	dwg33070	Drawing Image Number		
	370-029A	TILT ADJ ELECTRIC		
	*			
1.	370-069H	ACTUATOR ROD END WELD		
2.	370-243D	TILT PIN		
3.	802-128C	HHCS 1/2-13X2 GR5		
4.	803-169C	NUT HEX FLG LOCK 1/2-13 PLT		
5.	805-032C	PIN HAIR COTTER .148 WIRE		
6.	823-378C	HARNESS ELEC. TILT		
7.	833-557C	ACCUATOR, TILT SNOW BLOWER		

Tilt Adjustment Hydraulic

Applies to SB1574 S/N 881641+



33069

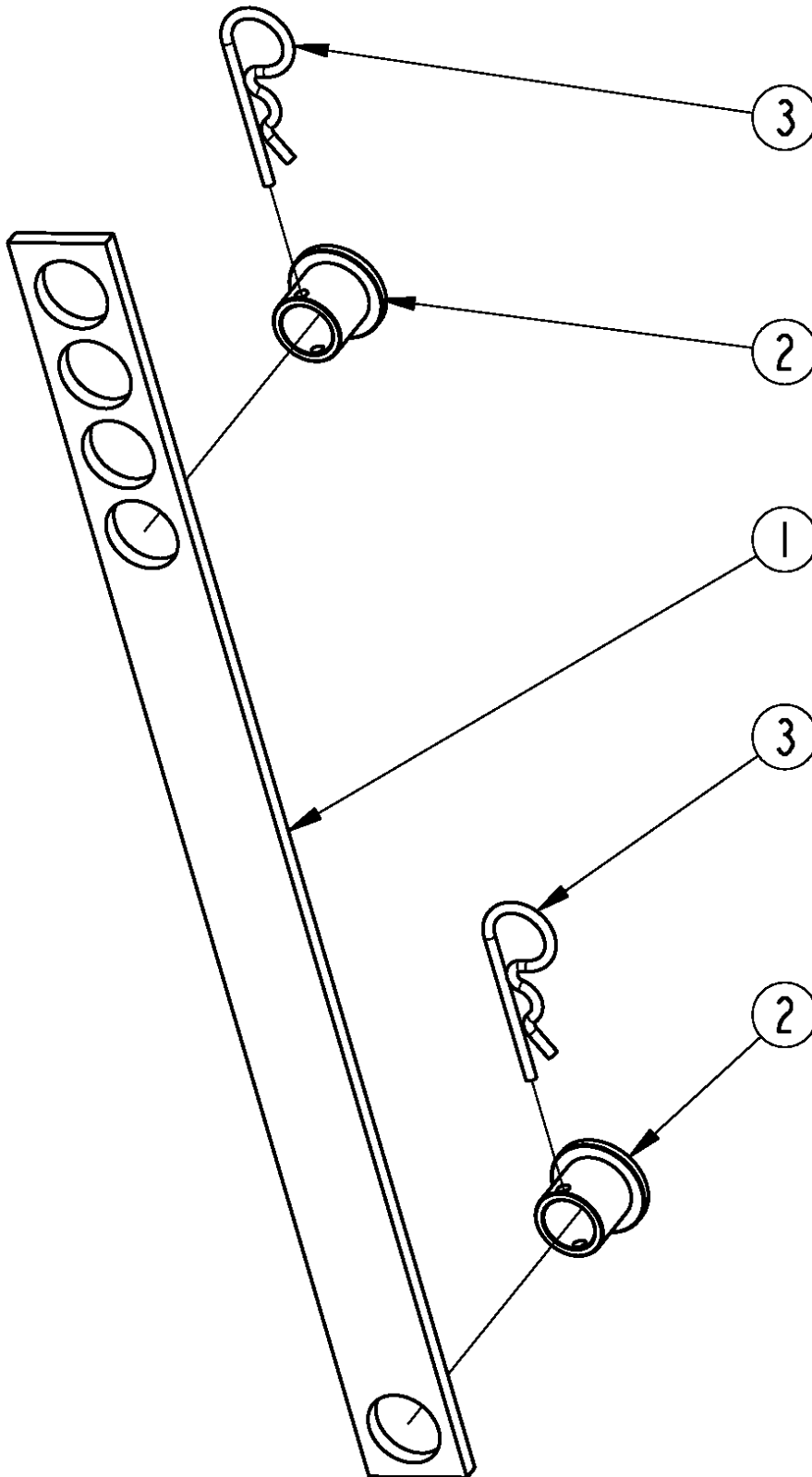
Tilt Adjustment Hydraulic

Applies to SB1574 S/N 881641+

Ref	Part No.	Part Description	Comments	Revision
	dwg33069 370-023A	Drawing Image Number TILT ADJ HYDRAULIC *		
1.	805-004C	PIN CLEVIS 1 X 2 3/4 USABLE LG		
2.	805-088C	PIN, HAIR COTTER 3/16 WIRE DIA		
3.	810-125C	CYL 2X4X1.12 ROD DBL ACTING		
4.	811-062C	OREL 1/32 9/16MJIC 9/16MORB		
5.	841-533C	HH3/8R2 76.43 3/4MORB 9/16FJIC		
6.	841-534C	HH3/8R2 83.84 3/4MORB 9/16FJIC		

Tilt Adjustment Manual

Applies to SB1574 S/N 881641+



33068

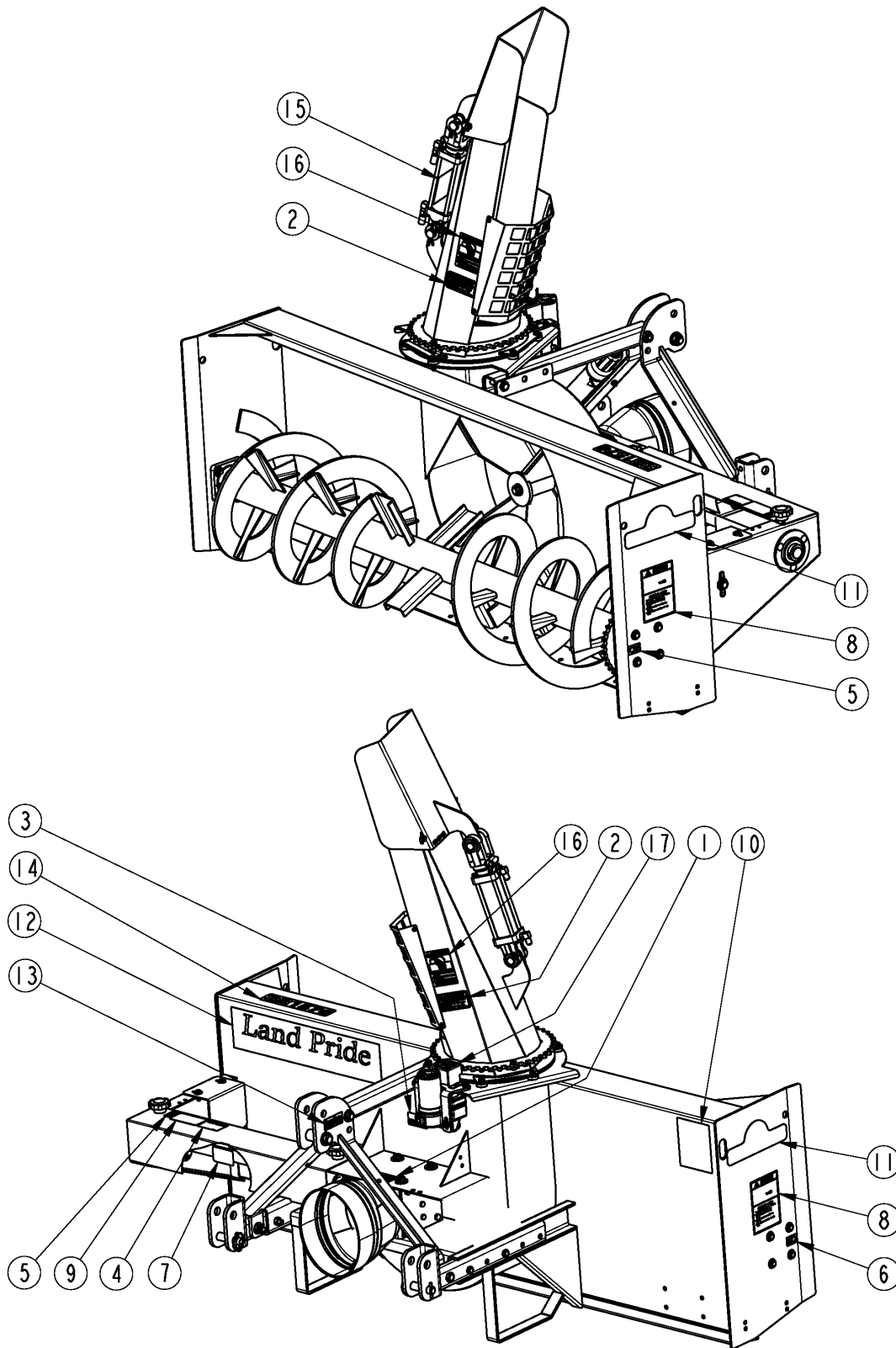
Tilt Adjustment Manual

Applies to SB1574 S/N 881641+

Ref	Part No.	Part Description	Comments	Revision
	dwg33068	Drawing Image Number		
	370-030A	TILT ADJ MANUAL		
		*		
1.	370-055D	TILT ADJ MANUAL		
2.	370-243D	TILT PIN		
3.	805-032C	PIN HAIR COTTER .148 WIRE		

Label Placement

Applies to SB1574 S/N 881641+



37070

Label Placement**Applies to SB1574 S/N 881641+**

Ref	Part No.	Part Description	Comments	Revision
	dwg37070	Drawing Image Number		
1.	818-130C	DECAL CAUTION 540 RPM		
2.	818-132C	DECAL DANGER THROWN OBJECT HAZ		
3.	818-190C	DECAL FLAG		
4.	818-205C	DECAL WARNING MOVING PARTS HAZ		
5.	818-349C	DECAL GREASE 10 HRS LH		
6.	818-402C	DECAL GREASE 10 HRS RH		
7.	818-522C	DECAL MOVING PARTS DANGER		
8.	818-634C	DECAL DANGER AD ROTATING AUGER		
9.	818-798C	DECAL WARNING PINCH POINT GEN		
10.	818-858C	DECAL WARNING GENERAL SAFTEY		
11.	818-892C	RPBY 838-963C	Beige Unit	
11.	838-963C	DECAL LP 10" W/TREE BROWN/GOLD	Green Unit, Orange Unit, Red Unit	
12.	818-907C	RPBY 838-966C	Beige Unit	
12.	838-966C	DECAL LANDPRIDE 22" BROWN/GOLD	Green Unit, Orange Unit, Red Unit	
13.	838-517C	DECAL QUICK HITCH SYSTEM		
14.	848-589C	DECAL SB1574 BROWN	Beige Unit	
14.	848-590C	DECAL SB1574 GOLD	Green Unit, Orange Unit, Red Unit	
15.	848-747C	DECAL HIGH PRESSURE FLUIDS		
16.	848-840C	DECAL DANGER ROTATING IMPELLER		
17.	858-148C	DECAL PIC--PINCH POINT		



Part Number Index

The Part Number Index is a numeric index of all part numbers included in this manual. The index shows what page(s) the part is used on.

Part Number	Page	Part Number	Page	Part Number	Page	Part Number	Page
*	15, 17, 19, 21, 23, 25, 27, 29, 39, 41, 43	370-108A	33	802-014C	9	811-062C	41
0.132.5002.00	17	370-113H	35	802-015C	13, 19, 35	811-170C	21
0.267.1500.00	17	370-114H	35	802-017C	19, 21, 23, 31	816-504C	11
0.267.2000.00	17	370-115A	35	802-022C	9	817-358C	13
0.267.4221.00	17	370-118A	27	802-068C	11	817-871C	9
0.267.5000.00	17	370-142D	9	802-079C	7, 13	818-130C	45
0.267.7100.00	17	370-147D	13	802-091C	7	818-132C	45
123.340.256.11	15	370-153D	13	802-102C	13	818-190C	45
123.440.704.11	15	370-165D	11	802-128C	19, 39	818-205C	45
130556	29	370-166D	11	802-130C	11	818-349C	45
141.024.430.1	15	370-168D	9	802-153C	13	818-402C	45
142.241.1687421	15	370-208D	23	802-155C	37	818-522C	45
142.241.2417421	15	370-210D	31	802-159C	13, 23	818-634C	45
143.240.011.1	15	370-212D	37	802-160C	11	818-798C	45
151.014.006.1	15	370-213D	33	802-162C	11, 13	818-858C	45
151.014.007.1	15	370-243D	39, 43	802-163C	9	818-892C	45
152.140.2090710	15	370-392H	21	802-224C	11	818-907C	45
153.140.109	15	370-393H	19	802-258C	13	822-166C	17
165.000.525	15	370-396A	21	802-281C	11	822-167C	17
165.000.571	15	370-397A	19	802-459C	13	822-191C	17
165.000.628	15	370-398K	19	802-603C	33	822-218C	13
180.014.130	15	370-399H	19	802-741C	21	822-243C	7
180.014.232	15	370-401H	11	802-954C	21	822-250C	13
180.014.233	15	370-416H	9	803-008C	13, 23	822-253C	9
180.014.240	15	370-416H81	9	803-013C	9	823-377C	25, 27
180.016.636	15	370-416H82	9	803-014C	9, 23, 29	823-378C	39
186561	29	370-416H83	9	803-019C	19	823-379C	19
190.000.012	15	370-444A	33	803-020C	11	823-386C	27
190.000.014	15	370-454S	9	803-021C	13	826-240C	13
190.000.020	15	370-455H	23	803-169C	7, 39	826-503C	17
190.000.098	15	370-456H	23	803-181C	11	826-654C	13, 17
190.000.099	15	370-457A	23	803-209C	7, 13, 19, 21, 31, 33, 35, 37	826-687C	13, 15
213-005	25	370-463H	11	803-255C	11, 13	827-001C	31
219-007	25	370-464H	11	803-263C	11	827-002C	31
219-009	25	370-644D	13	803-268C	9	827-115C	19
235005	29	370-683D	13	804-004C	19, 21	833-543C	19
250-007	25	370-699D	21	804-007C	11, 21	833-557C	39
250-023	25	370-700D	19	804-009C	13, 23	838-517C	45
255-092	25	370-705D	19, 21	804-010C	13	838-963C	45
255-093	25	370-707D	11	804-012C	9, 19, 23	838-966C	45
255-098	25	370-724D	9	804-013C	9, 23	841-533C	41
255-102	25	370-744D	33	804-015C	11, 13	841-534C	41
255-103	25	370-755D	23	804-016C	7	841-773C	21
255-104	25	370-757D	23	804-017C	13	848-589C	45
255-186	25	370-758D	23	804-017C	13	848-590C	45
258851	29	370-762D	9	804-021C	11, 13	848-747C	45
259-001	25	370-763D	23	804-022C	13	848-840C	45
259-004	25	437208	29	804-025C	11	858-148C	45
259-005	25	491604	29	804-029C	31	A.259.500	17
301-293H	31	492214	29	804-036C	23	A110.500	17
304-345	25	492669	29	804-046C	19, 21	A244.501	17
308-400D	11	494382	29	804-157C	13	dwg13565	29
310-020S	11	8.1.1.00209	17	804-161C	13	dwg33068	43
370-023A	41	8.5.1.00005	17	804-226C	21	dwg33069	41
370-029A	39	8.5.1.00029	17	804-239C	9	dwg33070	39
370-030A	43	8.5.2.00030	17	805-004C	41	dwg33071	37
370-039H	13	8.5.2.00131	17	805-015C	11	dwg33072	35
370-055D	43	8.6.0.01684	17	805-032C	39, 43	dwg33073	31
370-059H	13	8.6.6.00201	17	805-041C	11	dwg33074	33
370-061H	13	8.7.1.00152	17	805-065C	23, 31	dwg33076	13
370-069H	39	8.7.1.00748	17	805-088C	41	dwg33087	7
370-071H	9	800-001C	7	805-136C	19	dwg33090	27
370-072H	9	800-080C	13	805-198C	11	dwg33091	25
370-101H	7	800-303C	25	805-363C	9	dwg33117	15
370-103K	31	800-402C	13	808-400C	13	dwg33119	17
370-104H	31	801-019C	23	808-423C	7, 13	dwg37060	19
370-105A	31	801-027C	13	809-301C	13	dwg37062	21
370-106A	37	801-171C	19, 21	810-125C	29, 41	dwg37065	23
		802-005C	13	810-751C	21	dwg37068	9
		802-007C	23	810-883C	29	dwg37069	11



Part Number Index (continued)

<u>Part Number</u>	<u>Page</u>
dwg37070	45
N/A	15, 17, 29
SK-SCR0622000A	21
ZHSK-EBMM	21



Great Plains Manufacturing, Inc.

Corporate Office: P.O. Box 5060
Salina, Kansas 67402-5060 USA

www.landpride.com
