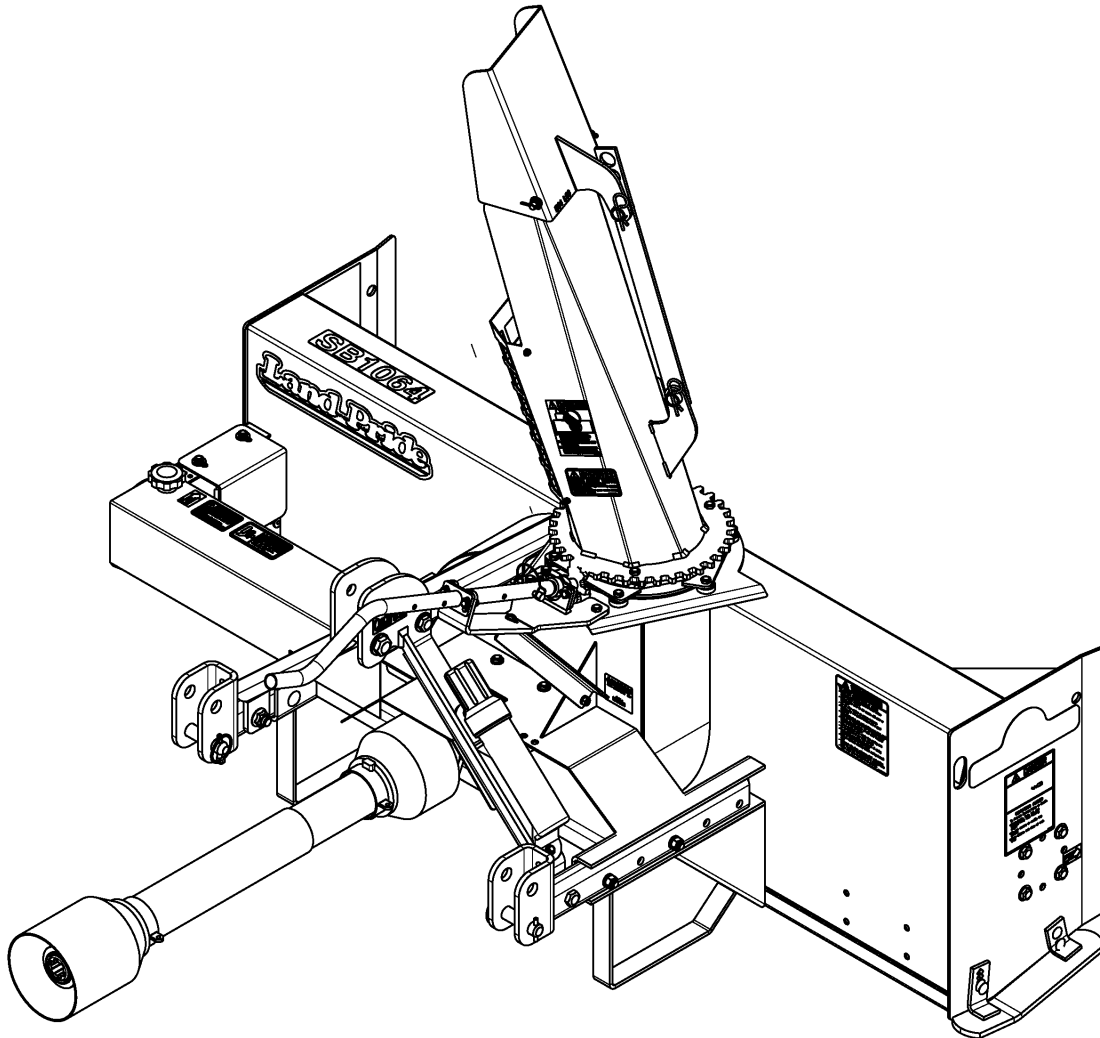


Snow Blowers

SB1051 & SB1064 S/N 881641+



37057

370-430P Parts Manual



Read the Operator's Manual entirely. When you see this symbol, the subsequent instructions and warnings are serious - follow without exception. Your life and the lives of others depend on it!

© Copyright 2018 Printed 07/11/18

Cover photo may show optional equipment not supplied with standard unit.





Table of Contents

Section 1: Introduction.....	4
Using This Manual.....	4
Manual Replacement Information.....	4
Manual Revisions.....	4
Touch-up Paint.....	4
Hardware Legend.....	5
Replacement Hardware.....	5
Serial Numbers.....	5
Part Number Service Coding.....	5
Section 2: Frame & Auger Components.....	6
Auger Components.....	6
Frame & Chute.....	8
Hitch Components.....	10
Section 3: Drive Components.....	12
Auger & Impeller Drive.....	12
Driveline (826-687C) Comer.....	14
Gear Box (826-653C).....	16
Section 4: Options & Accessories.....	18
Chute Adjustment Electric.....	18
Chute Adjustment Hydraulic.....	20
Chute Adjustment Manual.....	22
Chute Adjustment Manual.....	24
Control Box (823-377C).....	26
Electric Switch Box Harness.....	28
Hydraulic Cylinder Double Acting (810-125C) Lion.....	30
Inner Skid Shoes.....	32
Lower Wear Bar Kit SB10.....	34
Outer Skid Shoes.....	36
Side Adjustment Plates.....	38
Tilt Adjustment Electric.....	40
Tilt Adjustment Hydraulic.....	42
Tilt Adjustment Manual.....	44
Section 5: Decal Placement.....	46
Decal Placement.....	46
Land Pride Touch-up Paints.....	48
Part Number Index.....	50

© Copyright 2018. All rights reserved.

Land Pride provides this publication “as is” without warranty of any kind, either expressed or implied. While every precaution has been taken in the preparation of this manual, Land Pride assumes no responsibility for errors or omissions. Neither is any liability assumed for damages resulting from the use of the information contained herein. Land Pride reserves the right to revise and improve its products as it sees fit. This publication describes the state of this product at the time of its publication, and may not reflect the product in the future. The illustrations in this manual are not intended for safe and proper assembly or disassembly of equipment. The illustrations are intended for ordering parts only.

Land Pride is registered trademark.

All other brands and product names are trademarks or registered trademarks of their respective holders.

Printed in the United States of America.



Alphabetized Table of Contents

A	
Auger & Impeller Drive.....	12
Auger Components.....	6
C	
Chute Adjustment Electric.....	18
Chute Adjustment Hydraulic.....	20
Chute Adjustment Manual.....	22
Chute Adjustment Manual.....	24
Control Box (823-377C).....	26
D	
Decal Placement.....	46
Driveline (826-687C) Comer.....	14
E	
Electric Switch Box Harness.....	28
F	
Frame & Chute.....	8
G	
Gear Box (826-653C).....	16
H	
Hitch Components.....	10
Hydraulic Cylinder Double Acting (810-125C) Lion.....	30
I	
Inner Skid Shoes.....	32
L	
Land Pride Touch-up Paints.....	48
Lower Wear Bar Kit SB10.....	34
O	
Outer Skid Shoes.....	36
S	
Side Adjustment Plates.....	38
T	
Tilt Adjustment Electric.....	40
Tilt Adjustment Hydraulic.....	42
Tilt Adjustment Manual.....	44

General Information

Using This Manual

This manual is divided into sections. The first section contains General Information. The remaining sections divide the machine into segments (i.e. Frames, Drives, Hydraulics, etc.) which illustrate and list all parts. A Parts Number Index is located at the back of the book.

The Land Pride parts in this manual are specially designed for this machine and should be replaced with Land Pride parts only.

The information in this manual is current at time of printing. Some parts may change to assure top performance.

Right-hand and left-hand as used in this manual are determined by facing the direction the machine will travel while in use.

Below is an example of two facing pages from a parts manual. Familiarize yourself with the type of information contained on these pages.

Manual Replacement Information

Replacement manuals are available. Refer to our website at www.landpride.com or e-mail us at lit@landpride.com for additional information. Our website continues to provide the most up-to-date manuals available.

Touch-up Paint

Repaint parts where paint is worn or scratched to prevent rust. Aerosol cans and touch-up bottles with brush applicator are available through your local dealer. Also available are quart and gallon size paints. Add QT or GL to end of the Aerosol P/N.

Land Pride color descriptions and part numbers are listed on the "Land Pride Touch-up Paints" page in the "Decals" section of this book. Color options vary by product.



General Information

Hardware Legend

AR	As Required
BLADE	Blade Bolt
C	Cap Screw
CP	Cotter Pin
CPHSSS	Cup Point Hex Socket Set Screw
CPSHSS	Cup Point Square Head Set Screw
CPSQHSS	Cup Point Square Head Set Screw
CRFCHMS3	Cross Recess Flat Countersunk Head Machine Screw
CRPHMS	Cross Recess Pan Head Machine Screw
CRPHTF	Cross Recess Pan Head Thread Forming
CRRHMS	Cross Recess Round Head Machine Screw
CRTHMS	Cross Recess Truss Head Machine Screw
CSNB	Countersunk Square Neck Bolt
FHMS	Flat Head Machine Screw
FTC	Full Thread Cap Screw
H	Hex Nut
HCLN	Hex Center Lock Nut
HFLCS	Hex Flange Lock Cap Screw
HFS	Hex Flange Screw
HFSLN	Hex Flange Serrated Lock Nut
HFSS	Hex Flange Serrated Screw
HHCS	Hex Head Cap Screw or Metric Bolt
HSBHCS	Hex Socket Button Head Cap Screw
HSFCHCS	Hex Socket Flat Countersunk Head Cap Screw
HSHCS	Hex Socket Head Cap Screw
HSSS	Hex Socket Head Screw
HTLN	Hex Top Lock Nut
HWHCS	Hex Washer Head Cap Screw

HWHMS	Hex Washer Head Machine Screw
HXBHCS	Hex Socket Button Head Cap Screw
J	Hex Jam Nut
JIC	37 Degree Tapered Thread
L	Helical Spring Lock Washer
LUG	Lug Bolt
NFC	National Fine Cap Screw
NPSM	National Pipe Straight Mechanical
NPTF	National Pipe Taper Fuel
P	Wide Plain Washer
PHMS	Pan Head Machine Screw
PLOW	Plow Bolt
RHMS	Round Head Machine Screw
RHSNB	Round Head Square Neck Bolt
SCREW LEVELING	Leveling Screw
SCREW THUMB	Thumb Screw
SCREW WELD	Weld Screw
SFCHMS	Slotted Flat Countersunk Head Machine Screw
SFHMS	Slotted Fillister Head Machine Screw
SP	Special
SP SCREW	Special Screw
SOHSS	Square Head Set Screw
SRHMS	Slotted Round Head Machine Screw
SSS	Socket Set Screw
STCS	Self Tapping Cap Screw
STHMS	Slotted Truss Head Machine Screw
WHEEL	Wheel Studs and Hub Long Bolts
WING	Wing Bolt

Replacement Hardware

The **Hardware Legend** above lists hardware abbreviations used in the parts list. All bolts and nuts are Grade 5 unless otherwise noted. The use of improper grades of hardware can result in personal injury, damage to equipment, or loss of property.

Colored Replacement Parts

Land Pride offers replacement parts in factory standard colors and also on select models in Green, Orange, Red and Blue. Because of the variety of colors available, special attention must be given to the part number to prevent ordering the wrong replacement part.

A suffix number corresponding to one of the colors below must be added at the end of Land Pride's part number when ordering a replacement part with that color.

81 Green 83 Red
82 Orange 84 Blue

For example, if you are ordering a replacement part with part number 555-555C and the part you need is red, then add the suffix 83 to the end of the number to make the part number read 555-555C83. Parts ordered without a suffix number will be supplied in factory standard colors.

Black Replacement Parts

Some parts are factory standard black and some must be special ordered black. If your part is special ordered black, a second part number with the additional suffix number 85 on the end will be available. In this situation you must order that part with the suffix number for it to be black. Parts that are factory standard black will not have the suffix number.

Part Number Service Coding

Within the parts list some part numbers are coded for revisions and interchangeability. See notations in revision column.

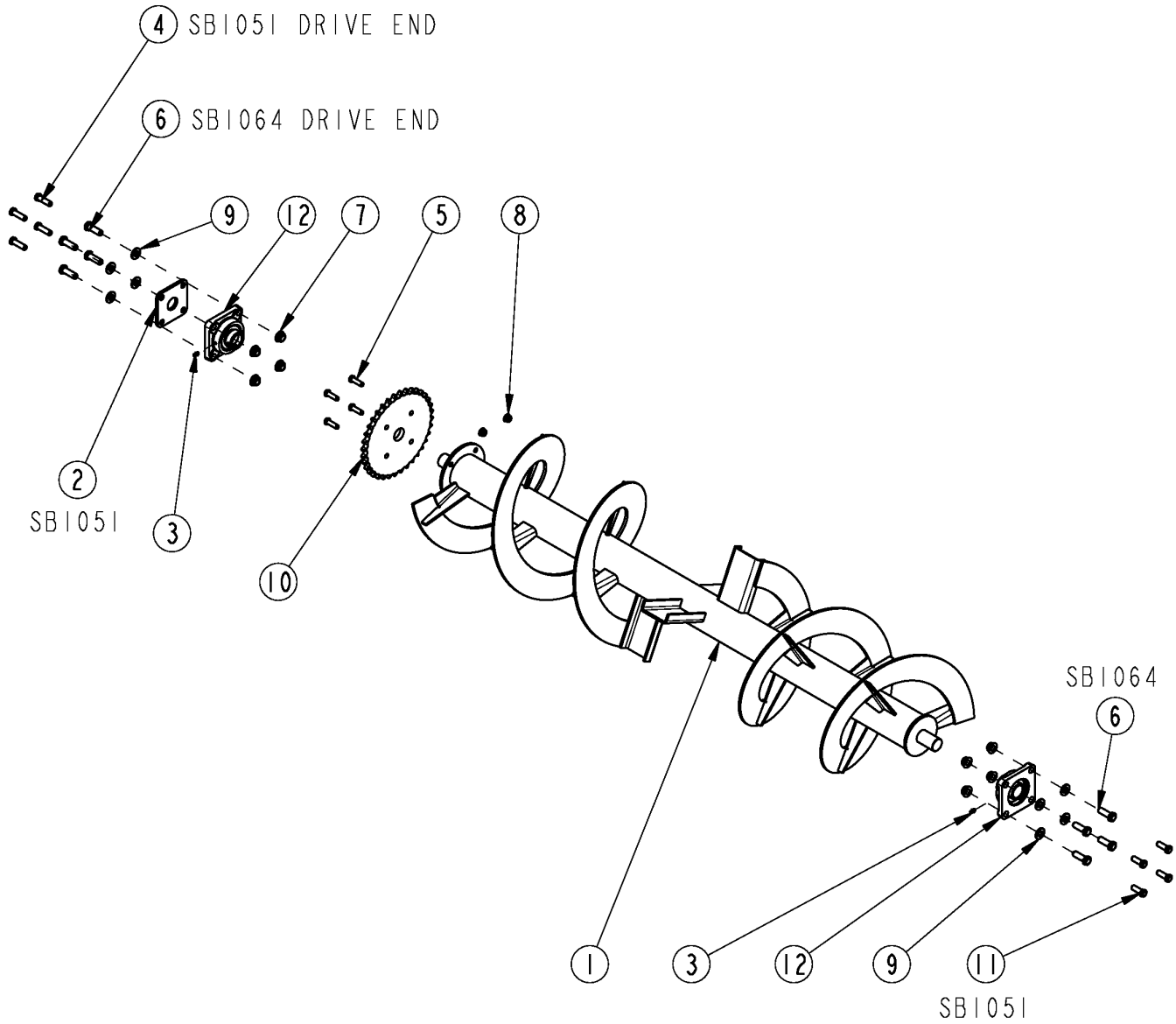
Serial Numbers

Always use the serial and model number when ordering parts. Refer to the Operator's Manual for serial number plate location.

- | | |
|----------------------|------------------------------------------------------------------|
| (S/N 20001+) | Includes serial numbers 20001 and above (to the latest number) |
| (S/N 10001 to 20000) | Includes serial numbers between and including 10001 and 20000 |
| (S/N 10000-) | Includes serial numbers 10000 and below (to the earliest number) |

Auger Components

Applies to SB1051 S/N 881641+, SB1064 S/N 881641+



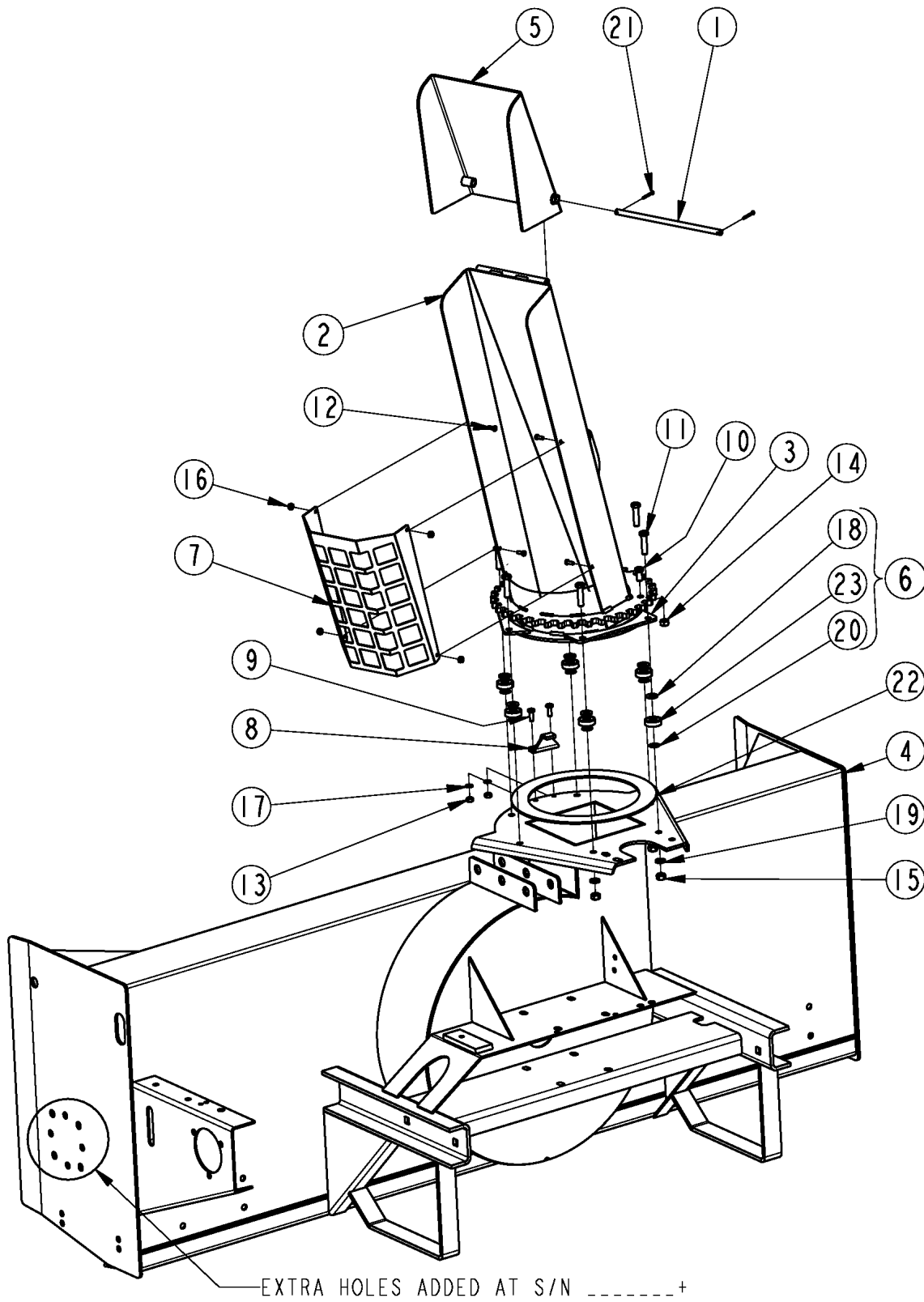
37056

Auger Components**Applies to SB1051 S/N 881641+, SB1064 S/N 881641+**

Ref	Part No.	Part Description	Comments	Revision
	dwg37056	Drawing Image Number		
1.	370-032H	AUGER SB1064	SB1064 (Went to heavier flighting at S/N 906566+)	
1.	370-013H	AUGER	SB1051 (Went to heavier flighting at S/N 906566+)	
2.	370-684D	PLATE, BRG SPACER	SB1051	
3.	800-001C	GREASE ZERK STRAIGHT 1/4-28		
4.	802-029C	HHCS 7/16-14X1 1/2 GR5		
5.	802-079C	HHCS 3/8-16X1 1/4 GR5		
6.	802-091C	HHCS 1/2-13X1 1/2 GR5	SB1064	
7.	803-169C	NUT HEX FLG LOCK 1/2-13 PLT	SB1064	
7.	803-229C	NUT HEX FLANGE LOC 7/16-14 PLT	SB1051	
8.	803-209C	NUT FLANGE LOCK 3/8-16 PLT		
9.	804-016C	WASHER FLAT 1/2 SAE PLT	SB1064	
9.	804-041C	WASHER FLAT 7/16 SAE PLT	SB1051	
10.	808-423C	SPKT 6036X 4 HOLES 1.255 BORE	SB1064	
10.	808-440C	SPKT 6036X W/4 HOLES 1.005 BOR	SB1051	
11.	802-673C	HHCS 7/16-14X1 1/4 GR5 PLT	SB1051	
12.	822-243C	BRG 4 BOLT CAMLOCK 1.25 BORE	SB1064	
12.	822-085C	BRG FLG 1.00ID 4BOLT	SB1051	

Frame & Chute

Applies to SB1051 S/N 881641+, SB1064 S/N 881641+



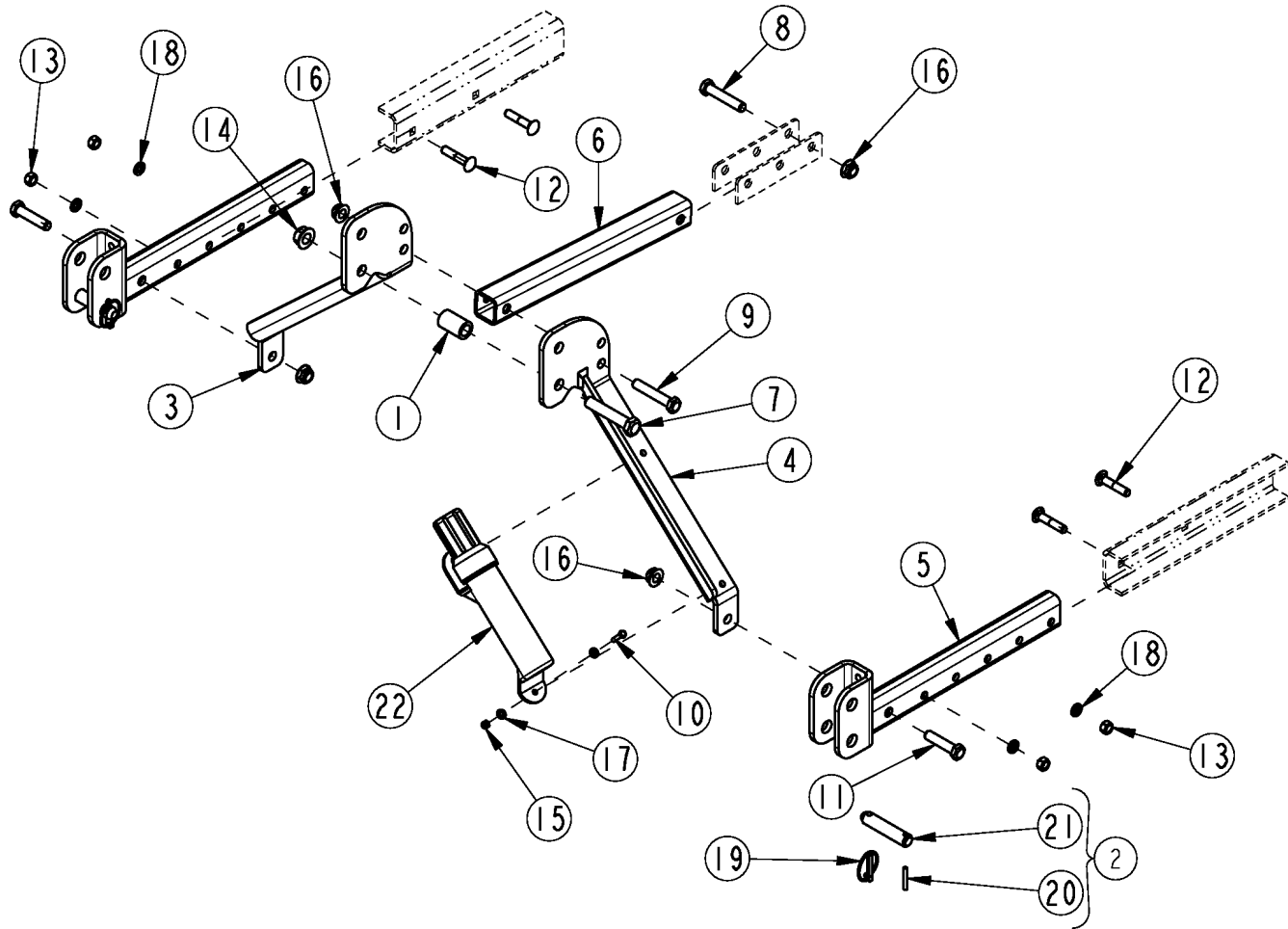
37058

Frame & Chute**Applies to SB1051 S/N 881641+, SB1064 S/N 881641+**

Ref	Part No.	Part Description	Comments	Revision
	Dwg 12345	Drawing Image Number		
1.	370-061D	TILT PIVOT PIN		
2.	370-119H	CHUTE WELD 51	SB1051	
2.	370-085H	CHUTE WELD 64	SB1064	
3.	370-168D	BEARING STRAP		
4.	370-407H	FRAME WELD 51"	SB1051	
4.	370-407H81	FRAME WELD 51" GREEN	SB1051	
4.	370-407H82	FRAME WELD 51" ORANGE	SB1051	
4.	370-407H83	FRAME WELD 51" RED	SB1051	
4.	370-409H	FRAME WELD 64"	SB1064	
4.	370-409H81	FRAME WELD 64" GREEN	SB1064	
4.	370-409H82	FRAME WELD 64" ORANGE	SB1064	
4.	370-409H83	FRAME WELD 64" RED	SB1064	
5.	370-453H	SPOUT		
6.	370-454S	CHUTE BEARING BUNDLE		
7.	370-723D	FRONT CHUTE GUARD 10		
8.	370-728D	ROTATION STOP		
9.	802-004C	HHCS 1/4-20X3/4 GR5		
10.	802-014C	HHCS 3/8-16X3/4 GR5		
11.	802-022C	HHCS 3/8-16X1 1/2 GR5		
12.	802-163C	HHCS #10-24X1/2 GR5		
13.	803-006C	NUT HEX 1/4-20 PLT		
14.	803-013C	NUT LOCK 3/8-16 PLT		
15.	803-014C	NUT HEX 3/8-16 PLT		
16.	803-268C	NUT HEX NYLOCK 10-24 PLT		
17.	804-006C	WASHER LOCK SPRING 1/4 PLT		
18.	804-012C	WASHER FLAT 3/8 SAE PLT		
19.	804-013C	WASHER LOCK SPRING 3/8 PLT		
20.	804-239C	WASHER MACH .3791DX.75ODX.015		
21.	805-363C	PIN COTTER 1/8 X 1		
22.	817-870C	CHUTE BEARING UHMW		
23.	822-253C	BRG, .393 ID X 1.181 OD X .354		

Hitch Components

Applies to SB1051 S/N 881641+, SB1064 S/N 881641+



37059

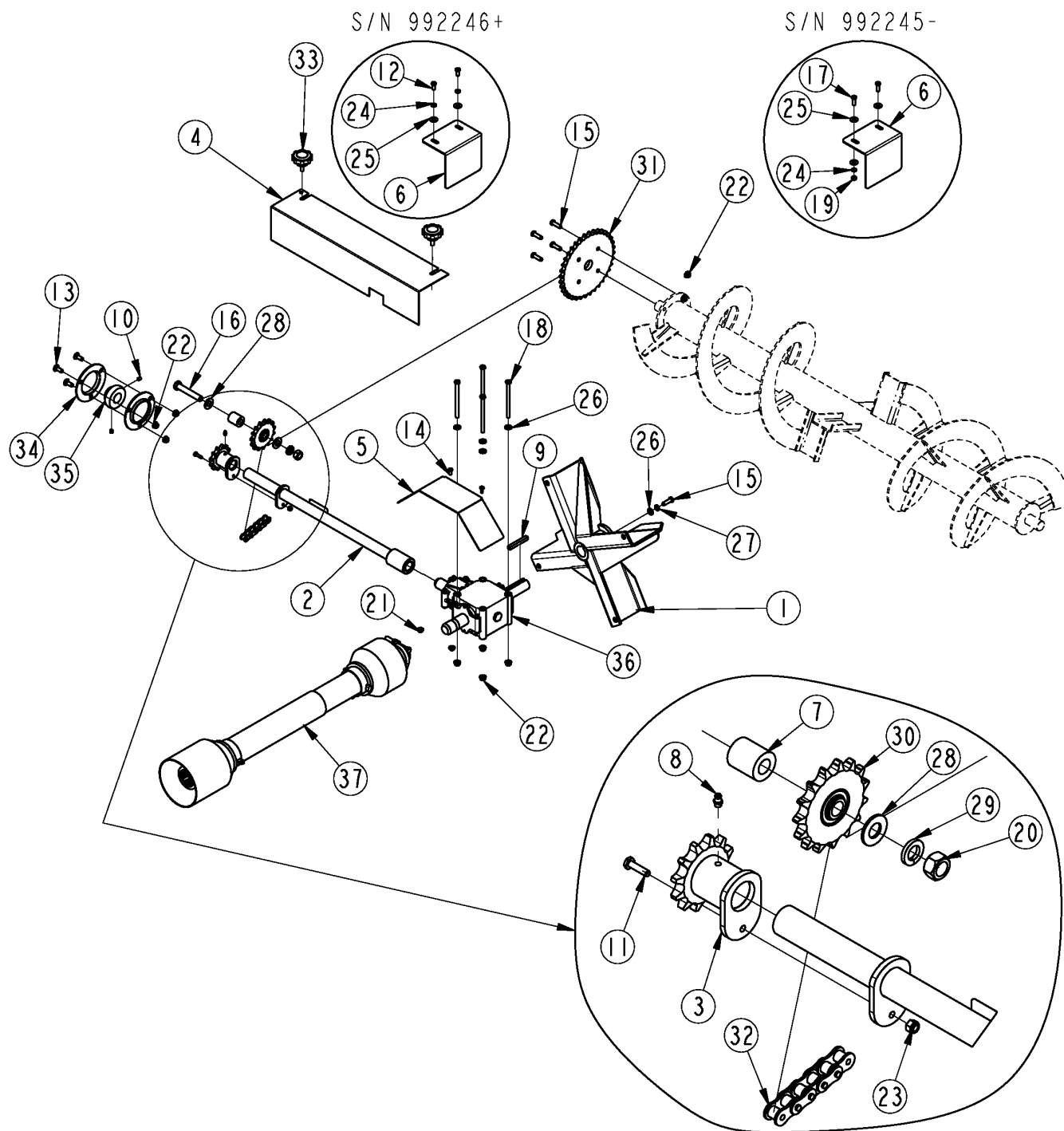
Hitch Components

Applies to SB1051 S/N 881641+, SB1064 S/N 881641+

Ref	Part No.	Part Description	Comments	Revision
	Dwg 37059	Drawing Image Number		
1.	308-400D	SPACER 1 1/4OD X 13/16ID X 2LG		
2.	310-020S	LOWER HITCH PIN		
3.	370-463H	UPPER HITCH BAR RH WMT 10 SERIES	S/N 881641+	
3.	370-165D	RPBY 370-463H	S/N 881640-	
4.	370-464H	UPPER HITCH BAR LH WMT 10 SERIES	S/N 881641+	
4.	370-166D	RPBY 370-464H	S/N 881640-	
5.	370-401H	ARM 3 PT TELE		
6.	370-706D	FRAME TUBE UPPER 10		
7.	802-068C	HHCS 3/4-10X4 GR5		
8.	802-160C	HHCS 5/8-11X3 1/4 GR5		
9.	802-162C	HHCS 5/8-11X3 1/2 GR5		
10.	802-224C	HHCS 1/4-20X1 1/4 GR5		
11.	802-281C	HHCS 5/8-11X2 3/4 GR5		
12.	802-571C	RHSNB 1/2-13X2 1/2 GR5		
13.	803-020C	NUT HEX 1/2-13 PLT		
14.	803-181C	NUT HEX FLANGE LOCK 3/4-10 PLT		
15.	803-255C	NUT HEX NYLOCK 1/4-20		
16.	803-263C	NUT HEX FLANGE LOCK 5/8-11 PLT		
17.	804-021C	WASHER FLAT 5/8 SAE PLT		
18.	804-015C	WASHER LOCK SPRING 1/2 PLT		
19.	805-015C	PIN LINCH 5/16 X 1 3/4		
20.	805-041C	PIN ROLL 1/4X1 3/4		
21.	805-198C	PIN CLVS HDLS .88X3.08 USBL		
22.	816-504C	MANUAL STORAGE CONTAINER		

Auger & Impeller Drive

Applies to SB1051 S/N 881641+, SB1064 S/N 881641+



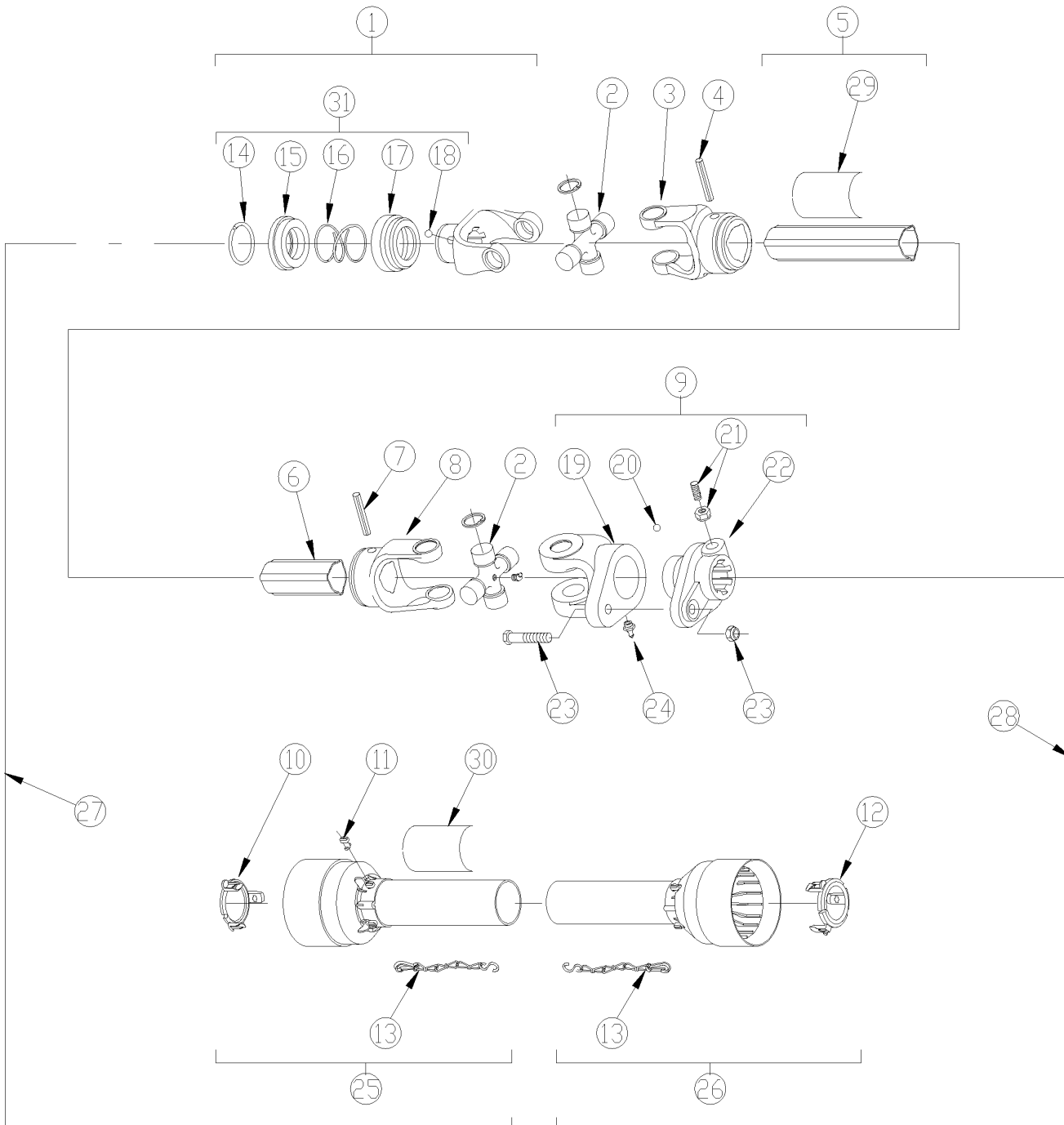
37055

Auger & Impeller Drive**Applies to SB1051 S/N 881641+, SB1064 S/N 881641+**

Ref	Part No.	Part Description	Comments	Revision
	Dwg 37055	Drawing Image Number		
1.	370-011H	IMPELLER 20X6		
2.	370-006H	REAR SHAFT	SB1051	
2.	370-057H	REAR SHAFT	SB1064	
3.	370-059H	SHEAR BOLT WELDMENT		
4.	370-071D	REAR SHAFT GUARD	SB1051	
4.	370-152D	REAR SHAFT GUARD	SB1064	
5.	370-229D	GUARD 10 SERIES		
6.	370-644D	IDLER GUARD		
7.	370-683D	IDLER BUSHING 15/25 1.43L		
8.	800-080C	GREASE ZERK 1/4-28 THD FORMING		
9.	800-402C	KEY 3/8 X 3/8 X 3		
10.	801-027C	SCREW SET 5/16-24 SKT KP X 5/16		
11.	802-005C	HHCS 1/4-20X1 GR5		
12.	802-007C	HHCS 5/16-18X3/4 GR5	S/N 992246+	
13.	802-015C	RHSNB 3/8-16X1 GR5		
14.	802-078C	HHCS 1/4-20X5/8 GR5		
15.	802-079C	HHCS 3/8-16X1 1/4 GR5		
16.	802-153C	HHCS 5/8-11X3 3/4 GR5		
17.	802-159C	HHCS 5/16-18X1 GR5	S/N 992245-	
18.	802-318C	HHCS 3/8-16X5 GR5		
19.	803-008C	NUT HEX 5/16-18 PLT	S/N 992245-	
20.	803-021C	NUT HEX 5/8-11 PLT		
21.	803-088C	NUT HEX LOCK 1/4-20 FLG		
22.	803-209C	NUT FLANGE LOCK 3/8-16 PLT		
23.	803-255C	NUT HEX NYLOCK 1/4-20		
24.	804-009C	WASHER LOCK SPRING 5/16 PLT		
25.	804-010C	WASHER FLAT 5/16 USS PLT		
26.	804-012C	WASHER FLAT 3/8 SAE PLT		
27.	804-013C	WASHER LOCK SPRING 3/8 PLT		
28.	804-021C	WASHER FLAT 5/8 SAE PLT		
29.	804-022C	WASHER LOCK SPRING 5/8 PLT		
30.	808-400C	60C15 IDLER SPROCKET W/BEARING		
30.	808-440C	SPKT 6036X W/4 HOLES 1.005 BOR	SB1051	
31.	808-423C	SPKT 6036X 4 HOLES 1.255 BORE	SB1064	
32.	809-233C	CHAIN RL #60 - 74 PITCH W/CON		
33.	837-088C	KNOB 3/8-16X1/2 2 3/8OD		
34.	822-218C	FLANGETTE 72MM 3-BOLT PLT		
35.	822-250C	BRG, 1.25 ID X 2.8346 X 1.26		
36.	826-653C	GBOX 1:1 CCW		
37.	826-687C	DRIVELINE 540 1290 SHEARBOLT		

Driveline (826-687C) Comer

Applies to SB1051 S/N 881641+, SB1064 S/N 881641+



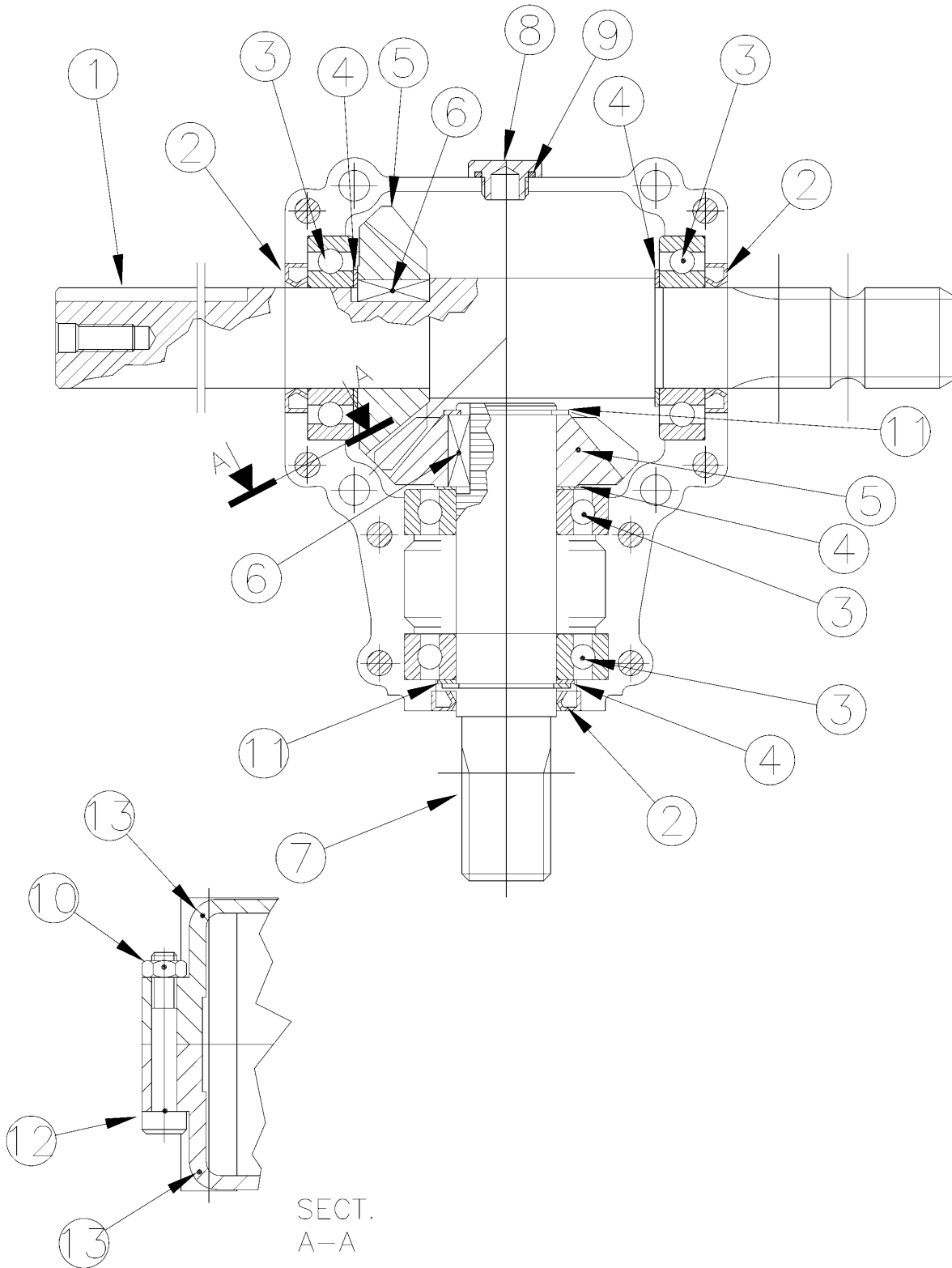
33117

Driveline (826-687C) Comer**Applies to SB1051 S/N 881641+, SB1064 S/N 881641+**

Ref	Part No.	Part Description	Comments	Revision
	dwg33117	Drawing Image Number		
	826-687C	DRIVELINE 540 1290 SHEARBOLT *		
1.	141.024.430.1	CO COMPLETE COLLAR YOKE C12		
2.	180.014.130	CO CROSS JOURNAL SET		
3.	151.014.006.1	CO OUTER YOKE		
4.	190.000.014	CO ROLL PIN FOR OUTER TUBE		
5.	152.140.2090710	CO OUTER TUBE		
6.	153.140.109	CO INNER TUBE		
7.	190.000.012	CO ROLL PIN FOR INNER TUBE		
8.	151.014.007.1	CO INNER YOKE		
9.	143.240.011.1	CO COMPLETE SHEAR BOLT (55XM8)		
10.	180.014.233	CO GRD COLLER OUTER TUBE		
11.	180.014.240	COMER BOLT		
12.	180.014.232	CO GRD COLLER INNER		
13.	180.016.636	CO SAFETY CHAINS	S/N 946471-	
14.	N/A	COMER OUTER CIRCLIP		
15.	N/A	COMER SLIDING SLEEVE COLLER		
16.	N/A	COMER SPRING		
17.	N/A	COMER FIXED SLEEVE		
18.	N/A	COMER BALL 1/2"		
19.	N/A	CO YOKE FO HUB B32 (55XM8)		
20.	N/A	CO BALL DIA 1/4"		
21.	165.000.525	CO BALL & NUT M12X70 C1.8.8		
22.	N/A	CO HUB B32 (55XM8)		
23.	165.000.571	CO BOLT & NUT M8X50 C1.6.6		
24.	190.000.020	COMER GREASE FITTING		
25.	142.241.1687421	CO HALF FEMALE GUARD		
26.	142.241.2417421	CO HALF MALE SHIELD		
27.	123.340.256.11	CO HALF FEMALE SHFT W/GUARDING		
28.	123.440.704.11	CO HALF MALE SHAFT W/GUARDING		
29.	190.000.098	COMER DANGER LABEL OUTER TUBE		
30.	190.000.099	COMER DANGER LABEL GUARD OUTER		
31.	165.000.628	COMER COLLOR KIT 1-3/8 YOKE		

Gear Box (826-653C)

Applies to SB1051 S/N 881641+, SB1064 S/N 881641+



33120

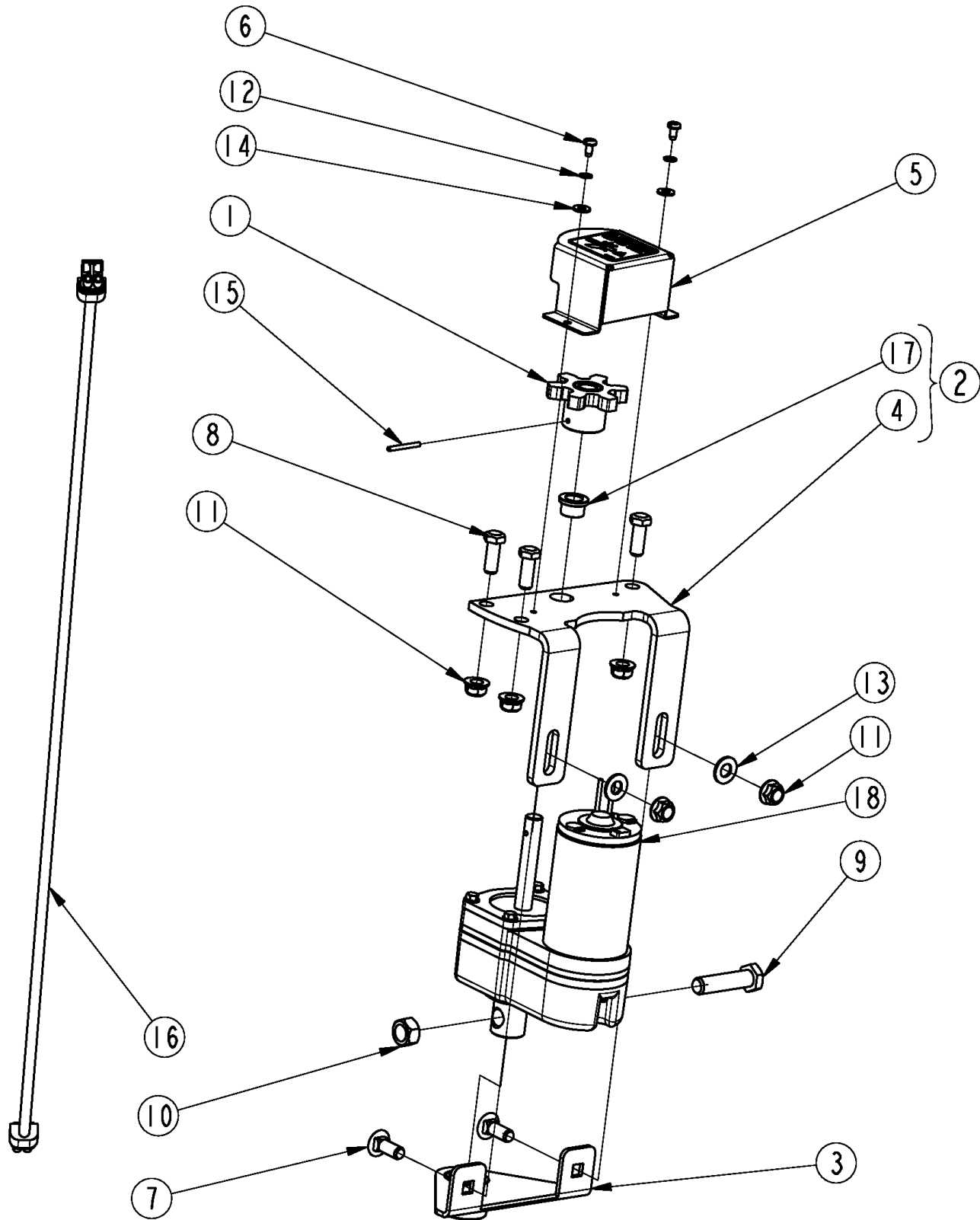
Gear Box (826-653C)

Applies to SB1051 S/N 881641+, SB1064 S/N 881641+

Ref	Part No.	Part Description	Comments	Revision
	dwg33120	Drawing Image Number		
	826-653C	GBOX 1:1 CCW *		
1.	0.281.4212.00	OUTPUT SHAFT 1 3/8"Z6-1 3/8"		
2.	060127	OMNI SEAL-INPUT CR13930		
3.	822-166C	BRG BALL 1.37IDX2.83OD 6207		
4.	A.259.500	CO ADJUST SPACER KIT, 35.3 X48		
5.	0.259.5020.00	GEAR CROWN Z18 M5		
6.	8.4.1.00232	CO PARALLEL KEY A 10X8X25		
7.	0.281.2212.00	INPUT SHAFT ASA D.P. 16/32 Z19		
8.	0.281.7100.00	COMER 3/8" GAS DOUBLE START		
9.	8.7.6.00636	COMER O-RING 3068		
10.	8.2.1.00382	COMER HEX NUT M8 UNI		
11.	8.5.1.00005	CO SNAP RING EXT 35 UN17435		
12.	8.1.2.01174	COMER M8X55 HEX SOCKET (8.8)		
13.	1.281.0300.00	HALF CASING		

Chute Adjustment Electric

Applies to SB1051 S/N 881641+, SB1064 S/N 881641+



37060

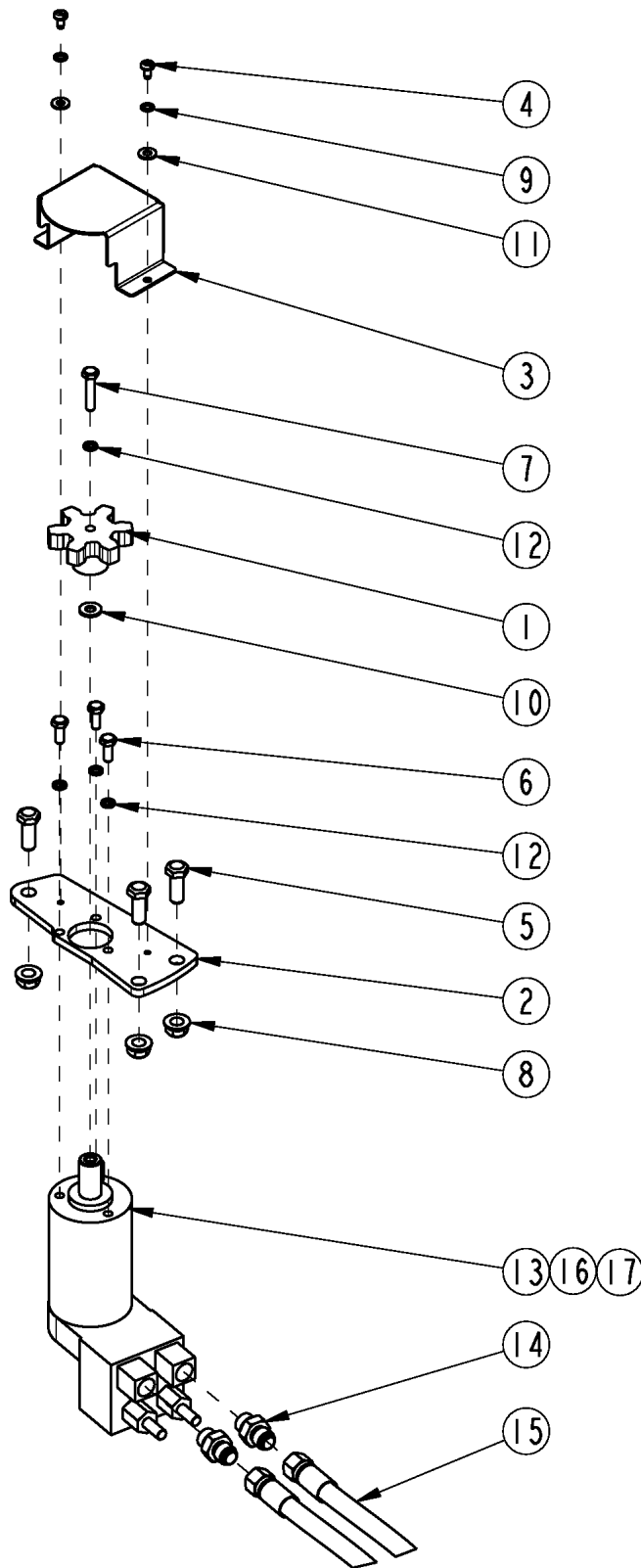
Chute Adjustment Electric

Applies to SB1051 S/N 881641+, SB1064 S/N 881641+

Ref	Part No.	Part Description	Comments	Revision
	dwg37060	Drawing Image Number		
	370-397A	CHUTE ROTATION ELECTRIC		
	*			
1.	370-393H	ROTATION GEAR		
2.	370-398K	SHAFT STABILIZER		
3.	370-399H	MOTOR MOUNT ELECTRIC		
4.	370-700D	ELECTRIC MOTOR MOUNT		
5.	370-705D	GEAR GUARD		
6.	801-171C	SCREW PAN HD 10-24X3/8 TYPE F		
7.	802-015C	RHSNB 3/8-16X1 GR5		
8.	802-017C	HHCS 3/8-16X1 GR5		
9.	802-128C	HHCS 1/2-13X2 GR5		
10.	803-019C	NUT LOCK 1/2-13 PLT		
11.	803-209C	NUT FLANGE LOCK 3/8-16 PLT		
12.	804-004C	WASHER INTERNAL STAR #10 PLT		
13.	804-012C	WASHER FLAT 3/8 SAE PLT		
14.	804-046C	WASHER FLAT #10 SAE PLT		
15.	805-136C	PIN ROLL 1/8 X 1 1/4 LG. PLT		
16.	823-379C	HARNESS ELEC. ROTATION		
17.	827-115C	BUSH .50IDX.81ODX.50 HD OILITE		
18.	833-543C	ROTATOR ELEC.		

Chute Adjustment Hydraulic

Applies to SB1051 S/N 881641+, SB1064 S/N 881641+



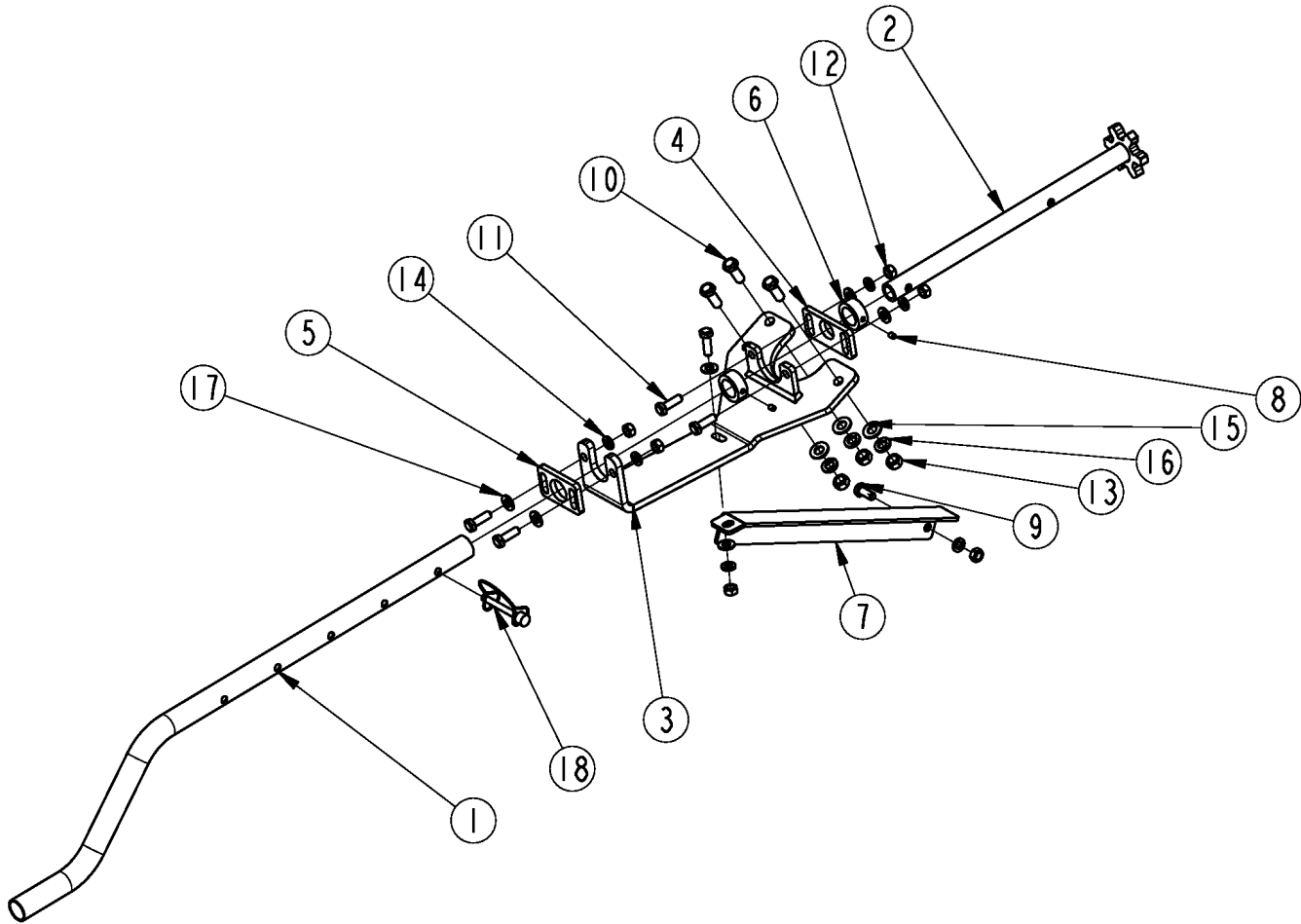
37062

Chute Adjustment Hydraulic**Applies to SB1051 S/N 881641+, SB1064 S/N 881641+**

Ref	Part No.	Part Description	Comments	Revision
	dwg37062	Drawing Image Number		
	370-396A	CHUTE ROTATION HYD *		
1.	370-392H	ROTATION GEAR		
2.	370-699D	MOTOR MOUNT		
3.	370-705D	GEAR GUARD		
4.	801-171C	SCREW PAN HD 10-24X3/8 TYPE F		
5.	802-017C	HHCS 3/8-16X1 GR5		
6.	802-741C	HHCS M6X1X15 GR8.8 PLT		
7.	802-954C	HHCS M6X1X30 GR8.8		
8.	803-209C	NUT FLANGE LOCK 3/8-16 PLT		
9.	804-004C	WASHER INTERNAL STAR #10 PLT		
10.	804-007C	WASHER FLAT 1/4 SAE PLT		
11.	804-046C	WASHER FLAT #10 SAE PLT		
12.	804-226C	WASHER LOCK M6 PLT		
13.	810-751C	HYD MOTOR W/CROSS RELIEF		
14.	811-170C	AD 9/16MORB 9/16MJIC		
15.	841-773C	HH3/8R2 81.84 .56FJIC.75MORB		
16.	ZHSK-EBMM	SEAL KIT FOR EBMM MOTORS		
17.	SK-SCR0622000A	SEAL KIT FOR CUSHION JCK06-22-00		

Chute Adjustment Manual

Applies to SB1064 S/N 881641+



37065

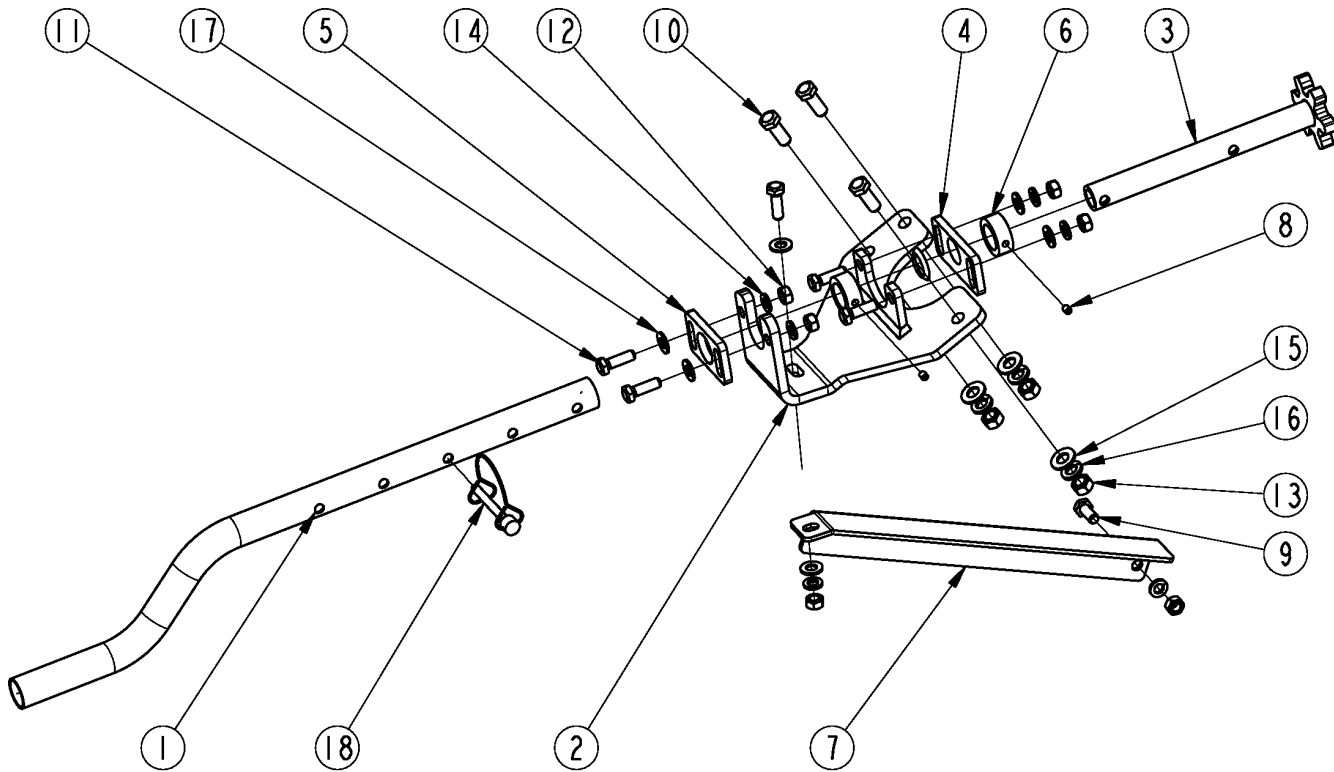
Chute Adjustment Manual

Applies to SB1064 S/N 881641+

Ref	Part No.	Part Description	Comments	Revision
	dwg37065	Drawing Image Number		
	370-457A	ROTATION BUNDLE MANUAL		
	*			
1.	370-208D	ROTATION HANDLE		
2.	370-455H	SPROCKET SHAFT		
3.	370-456H	ROTATION MOUNT MANUAL		
4.	370-755D	SHAFT INNER HANGER		
5.	370-757D	SHAFT ADJ OUTER		
6.	370-758D	SHAFT STOP COLLAR		
7.	370-763D	ROTATION BRACE		
8.	801-019C	SCREW SET SH 1/4-20 X 1/4 LG.		
9.	802-007C	HHCS 5/16-18X3/4 GR5		
10.	802-017C	HHCS 3/8-16X1 GR5		
11.	802-159C	HHCS 5/16-18X1 GR5		
12.	803-008C	NUT HEX 5/16-18 PLT		
13.	803-014C	NUT HEX 3/8-16 PLT		
14.	804-009C	WASHER LOCK SPRING 5/16 PLT		
15.	804-012C	WASHER FLAT 3/8 SAE PLT		
16.	804-013C	WASHER LOCK SPRING 3/8 PLT		
17.	804-036C	WASHER FLAT 5/16 SAE PLT		
18.	805-065C	PIN WIRE RETAINING 1/4 X 1 3/4		

Chute Adjustment Manual

Applies to SB1051 S/N 881641+



37322

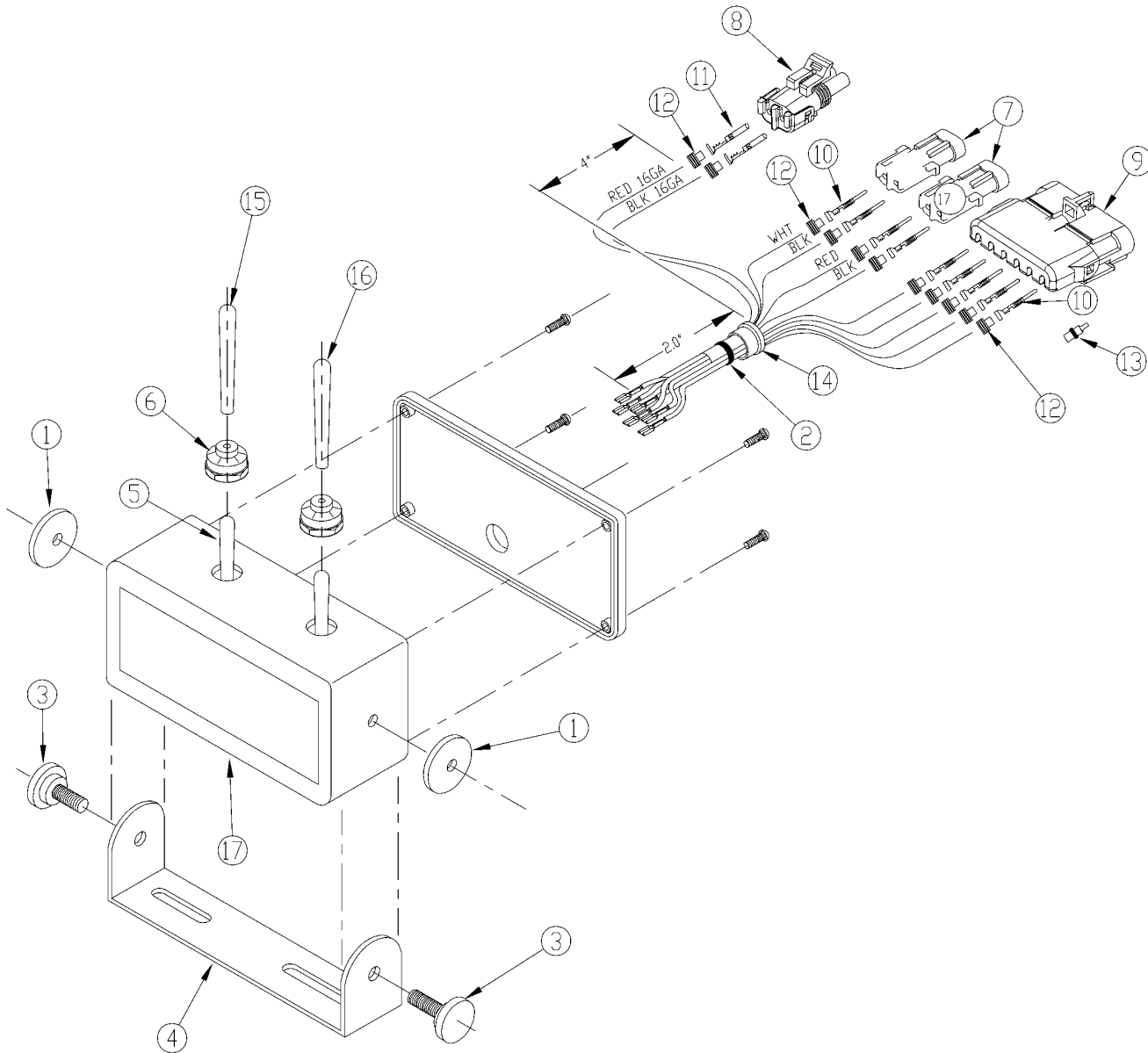
Chute Adjustment Manual

Applies to SB1051 S/N 881641+

Ref	Part No.	Part Description	Comments	Revision
	dwg12345	Drawing Image Number		
	370-459A	ROTATION BUNDLE MANUAL 51 *		
1.	370-226D	ROTATION HANDLE 1051		
2.	370-458H	ROTATION MOUNT MANUAL 51		
3.	370-460H	SPROCKET SHAFT 51		
4.	370-755D	SHAFT INNER HANGER		
5.	370-757D	SHAFT ADJ OUTER		
6.	370-758D	SHAFT STOP COLLAR		
7.	370-763D	ROTATION BRACE		
8.	801-019C	SCREW SET SH 1/4-20 X 1/4 LG.		
9.	802-007C	HHCS 5/16-18X3/4 GR5		
10.	802-017C	HHCS 3/8-16X1 GR5		
11.	802-159C	HHCS 5/16-18X1 GR5		
12.	803-008C	NUT HEX 5/16-18 PLT		
13.	803-014C	NUT HEX 3/8-16 PLT		
14.	804-009C	WASHER LOCK SPRING 5/16 PLT		
15.	804-012C	WASHER FLAT 3/8 SAE PLT		
16.	804-013C	WASHER LOCK SPRING 3/8 PLT		
17.	804-036C	WASHER FLAT 5/16 SAE PLT		
18.	805-065C	PIN WIRE RETAINING 1/4 X 1 3/4		

Control Box (823-377C)

Applies to SB1051 S/N 881641+, SB1064 S/N 881641+



33091

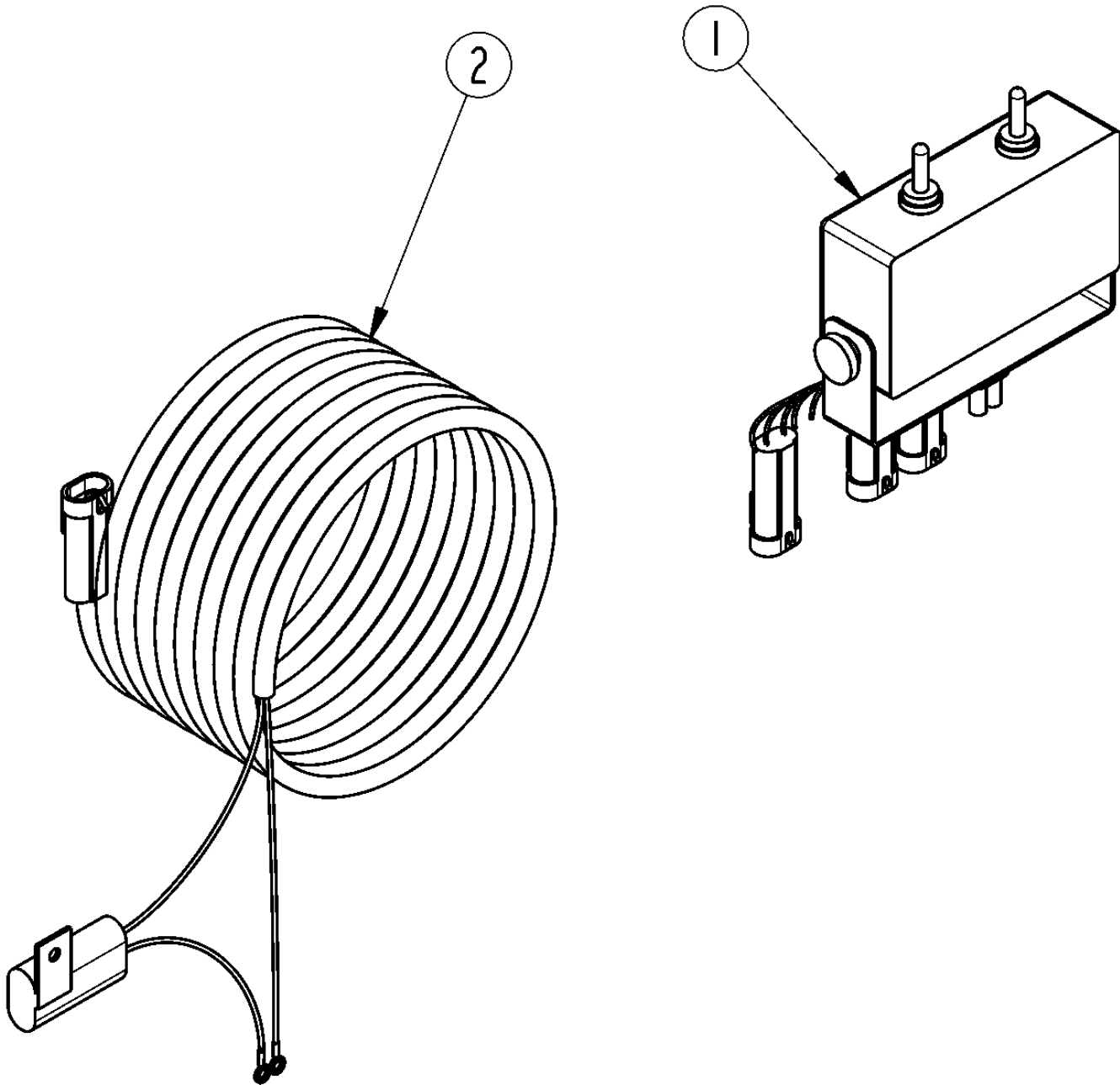
Control Box (823-377C)

Applies to SB1051 S/N 881641+, SB1064 S/N 881641+

Ref	Part No.	Part Description	Comments	Revision
	dwg33091 823-377C	Drawing Image Number CONTROL BOX SNOW BLOWER *		
1.	213-005	FASSE WSHR RBR1ODX1/4IDX1/16TK		
2.	800-303C	CABLE TIE 2 DIA MIN - BLK		
3.	219-007	FASSE SCR THUMB BLK 1/4-20X1/2		
4.	219-009	FASSE BRKT ALM 4.70 #1591C		
5.	250-007	FASSE SW TOG DPDT 3P MOM SHORT		
6.	250-023	FASSE SW TOG BOOT OPN BLK		
7.	255-092	FASSE CNTR WP 2 PIN SHROUD		
8.	255-093	WEATHERPACK CTR 2 PIN SHROUD		
9.	255-098	CNTR WP 6 PIN SHROUD		
10.	255-102	WEATHERPACK CTR MALE TRM 14/16		
11.	255-103	WEATHERPACK CNTR F TRM 14/16		
12.	255-104	WEATHERPACK CNTR CABLE SEAL GR		
13.	255-186	CNTR WP CAVITY PLUG		
14.	259-001	FASSE GROMMET .5000D SNAP		
15.	259-004	FASSE SW TOG GRP VNYL WHT .187		
16.	259-005	FASSE SW TOG GRP VNYL RED .187		
17.	304-345	ECL 1591CBK/6060A-2X1/2SWSXTSX		

Electric Switch Box Harness

Applies to SB1051 S/N 881641+, SB1064 S/N 881641+



33090

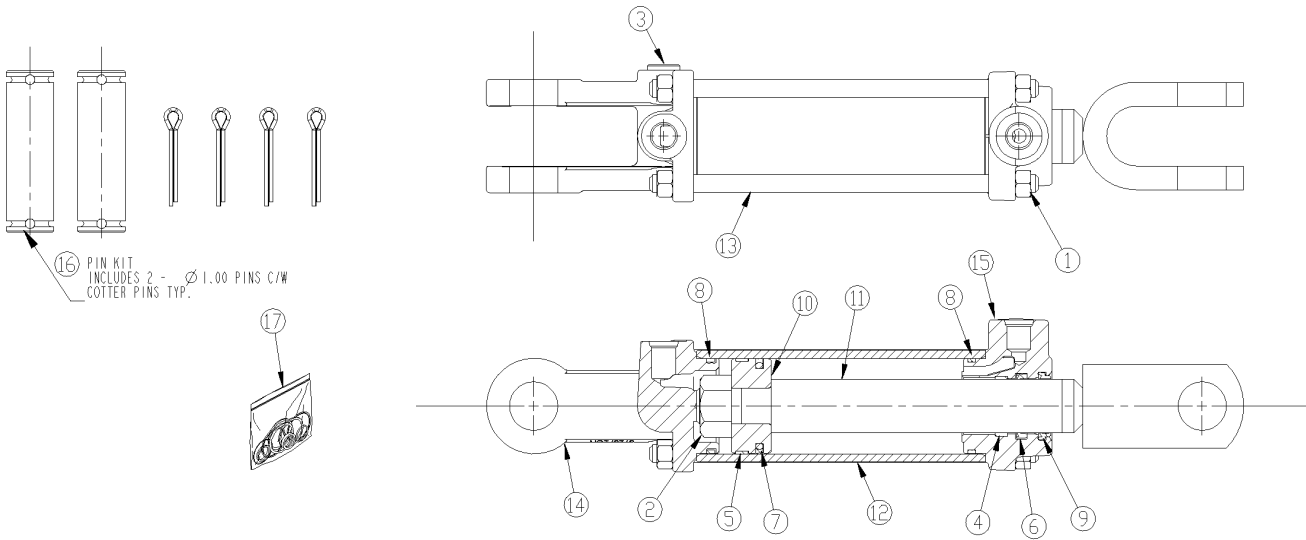
Electric Switch Box Harness

Applies to SB1051 S/N 881641+, SB1064 S/N 881641+

Ref	Part No.	Part Description	Comments	Revision
	dwg33090	Drawing Image Number		
	370-118A	HARNESS SNOW BLOWER ELECTRIC *		
1.	823-377C	CONTROL BOX SNOW BLOWER		
2.	823-386C	HARNESS, POWER		

Hydraulic Cylinder Double Acting (810-125C) Lion

Applies to SB1051 S/N 881641+, SB1064 S/N 881641+

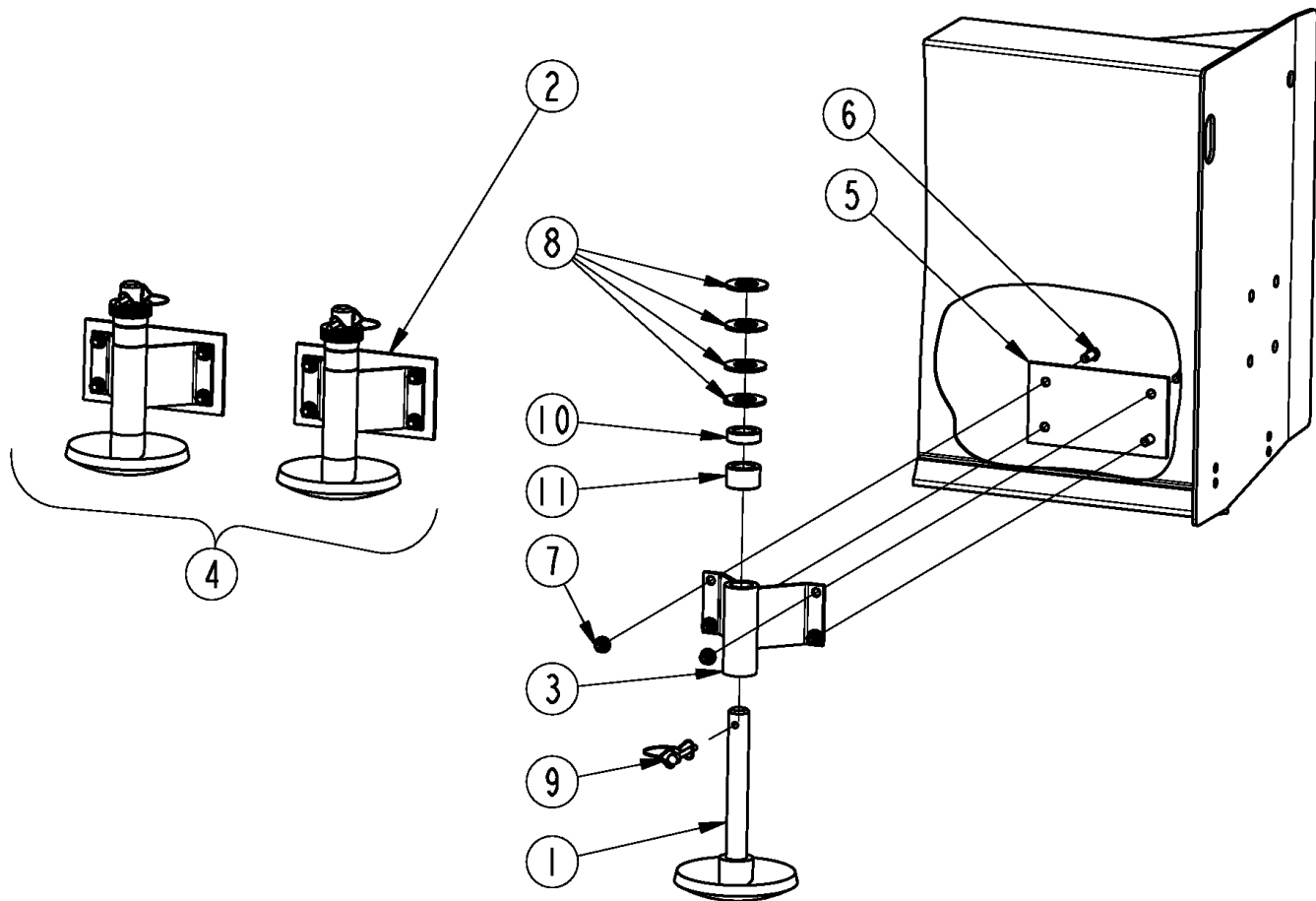


Hydraulic Cylinder Double Acting (810-125C) Lion**Applies to SB1051 S/N 881641+, SB1064 S/N 881641+**

Ref	Part No.	Part Description	Comments	Revision
	dwg13565	Drawing Image Number		
	810-125C	CYL 2X4X1.12 ROD DBL ACTING *		
1.	803-014C	NUT HEX 3/8-16 PLT		
2.	130556	MON PISTON NUT		
3.	186561	PLUG 9/16-18UNF MORB SOCKET HD		
4.	N/A	MON WEAR RING 1.25-1.13-0.250	In Seal Kit Item #17	
5.	N/A	MON WEAR RING 2.00-1.88-0.260	In Seal Kit Item #17	
6.	N/A	MON SEAL ZURCON U-CUP RU9 1.13	In Seal Kit Item #17	
7.	N/A	MON SEAL ZURCON WYNSEAL 2.00	In Seal Kit Item #17	
8.	N/A	MON SEAL DUAL 2.00-.170	In Seal Kit Item #17	
9.	N/A	MON SEAL WIPER 1.13 WNUC TSS	In Seal Kit Item #17	
10.	258851	MON PISTON 2.00-.75-TSS-ISO-WR		
11.	437208	LION ROD WLDMT 1 1/8X4 STROKE		
12.	491604	LION CYL. TUBE 2 X 4		
13.	492214	MON TIE ROD 3/8-04		
14.	492669	MON CLEVS CAP 2.00-9/16ORB-1.0		
15.	494382	MON ROD CAP 2.0-1.12-9/16ORB-TS		
16.	235005	MON PIN KIT 1.00C/W COTTER PIN		
17.	810-883C	MON SEAL KIT 620271		

Inner Skid Shoes

Applies to SB1051 S/N 881641+, SB1064 S/N 881641+



33073

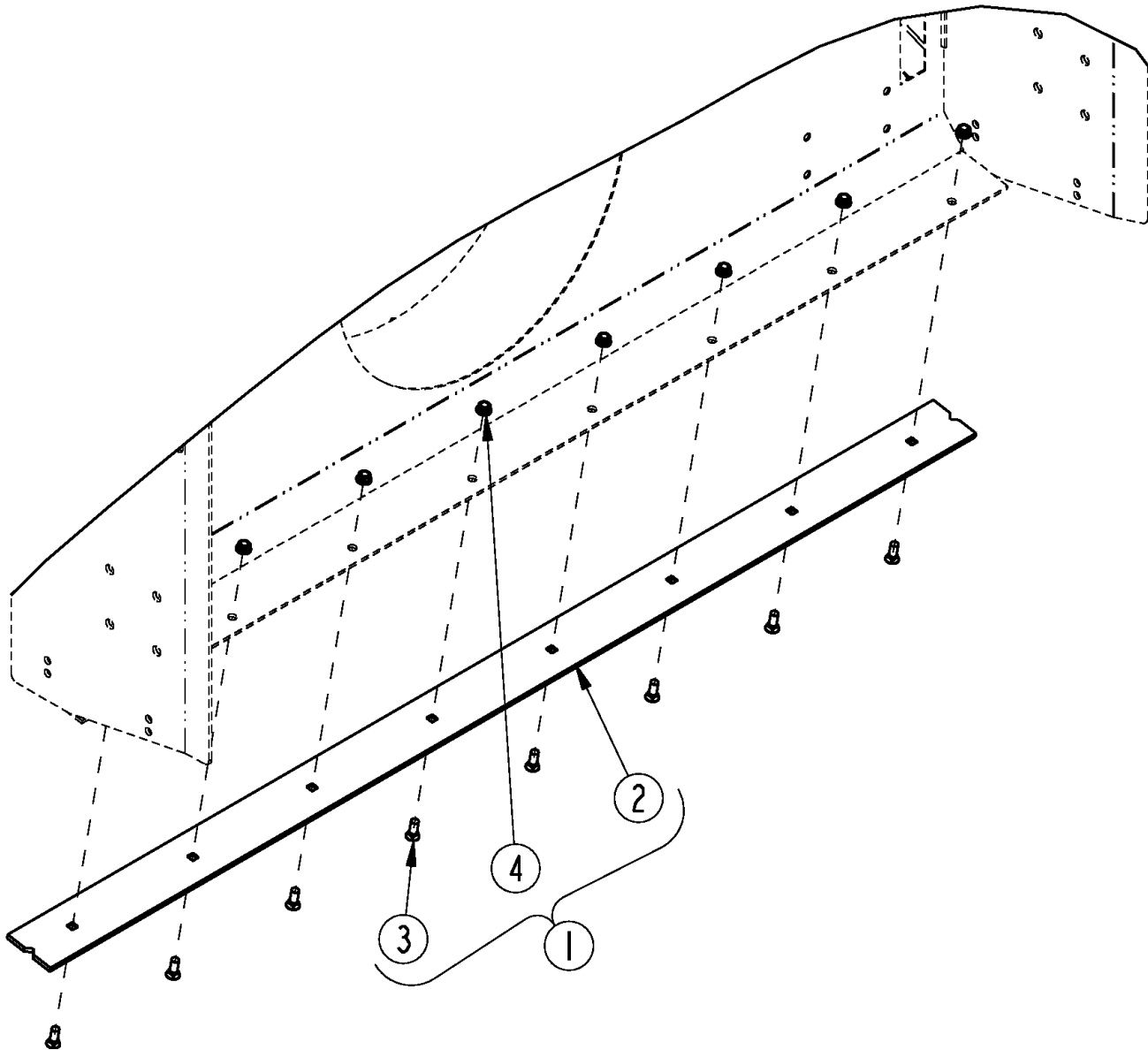
Inner Skid Shoes

Applies to SB1051 S/N 881641+, SB1064 S/N 881641+

Ref	Part No.	Part Description	Comments	Revision
	dwg33073	Drawing Image Number		
1.	301-293H	WELDMENT, TB SKID SHOE		
2.	370-103K	SKID SHOE ASSEMBLY		
3.	370-104H	SKID SHOE MOUNT		
4.	370-105A	SKID SHOE BUNDLE		
5.	370-210D	SKID SHOE MOUNT INBOARD		
6.	802-017C	HHCS 3/8-16X1 GR5		
7.	803-209C	NUT FLANGE LOCK 3/8-16 PLT		
8.	804-029C	WASHER FLAT 1 SAE		
9.	805-065C	PIN WIRE RETAINING 1/4 X 1 3/4		
10.	827-001C	SPACER 1/2		
11.	827-002C	SPACER 1		

Lower Wear Bar Kit SB10

Applies to SB1051 S/N 881641+, SB1064 S/N 881641+



37109

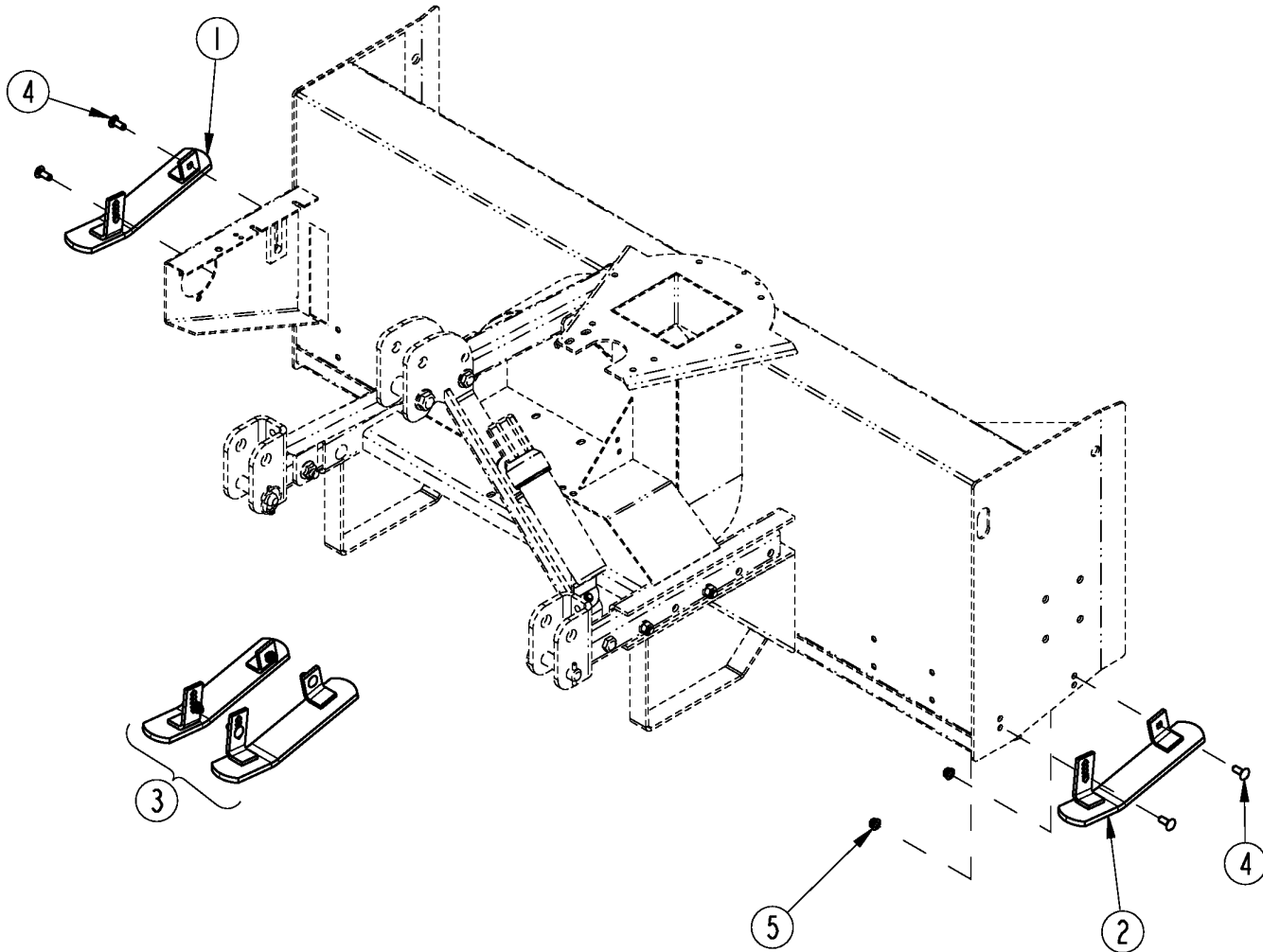
Lower Wear Bar Kit SB10

Applies to SB1051 S/N 881641+, SB1064 S/N 881641+

Ref	Part No.	Part Description	Comments	Revision
	dwg12345	Drawing Image Number		
1.	370-107A	HARDENED WEAR BAR BUNDLE 1051	SB1051	
1.	370-110A	HARDENED WEAR BAR BUNDLE 1064	SB1064	
1.	370-442A	MILD WEAR BAR BUNDLE SB1051	SB1051	
1.	370-443A	MILD WEAR BAR BUNDLE SB1064	SB1064	
2.	370-209D	HARDENED WEAR BAR 1051	SB1051	
2.	370-214D	HARDENED WEAR BAR 1064	SB1064	
2.	370-742D	MILD WEAR BAR SB1051	SB1051	
2.	370-743D	MILD WEAR BAR SB1064	SB1064	
3.	802-603C	PLOW 3/8-16X1 GR5		
4.	803-209C	NUT FLANGE LOCK 3/8-16 PLT		

Outer Skid Shoes

Applies to SB1051 S/N 881641+, SB1064 S/N 881641+



33072

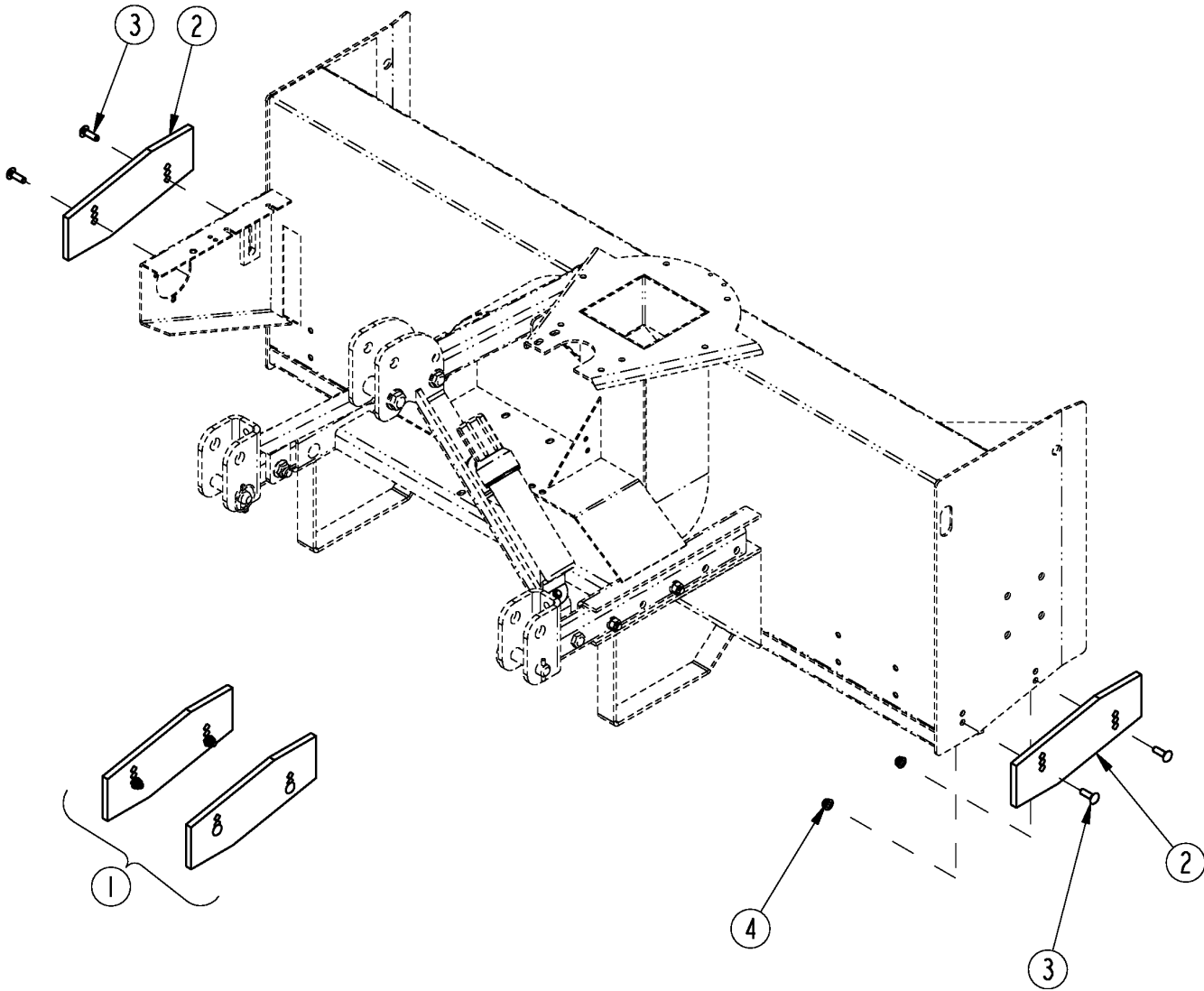
Outer Skid Shoes

Applies to SB1051 S/N 881641+, SB1064 S/N 881641+

Ref	Part No.	Part Description	Comments	Revision
	dwg33072	Drawing Image Number		
1.	370-113H	SKID SHOE OUTER LH		
2.	370-114H	SKID SHOE OUTER RH		
3.	370-115A	OUTER SKID SHOE BUNDLE		
4.	802-015C	RHSNB 3/8-16X1 GR5		
5.	803-209C	NUT FLANGE LOCK 3/8-16		

Side Adjustment Plates

Applies to SB1051 S/N 881641+, SB1064 S/N 881641+



33071

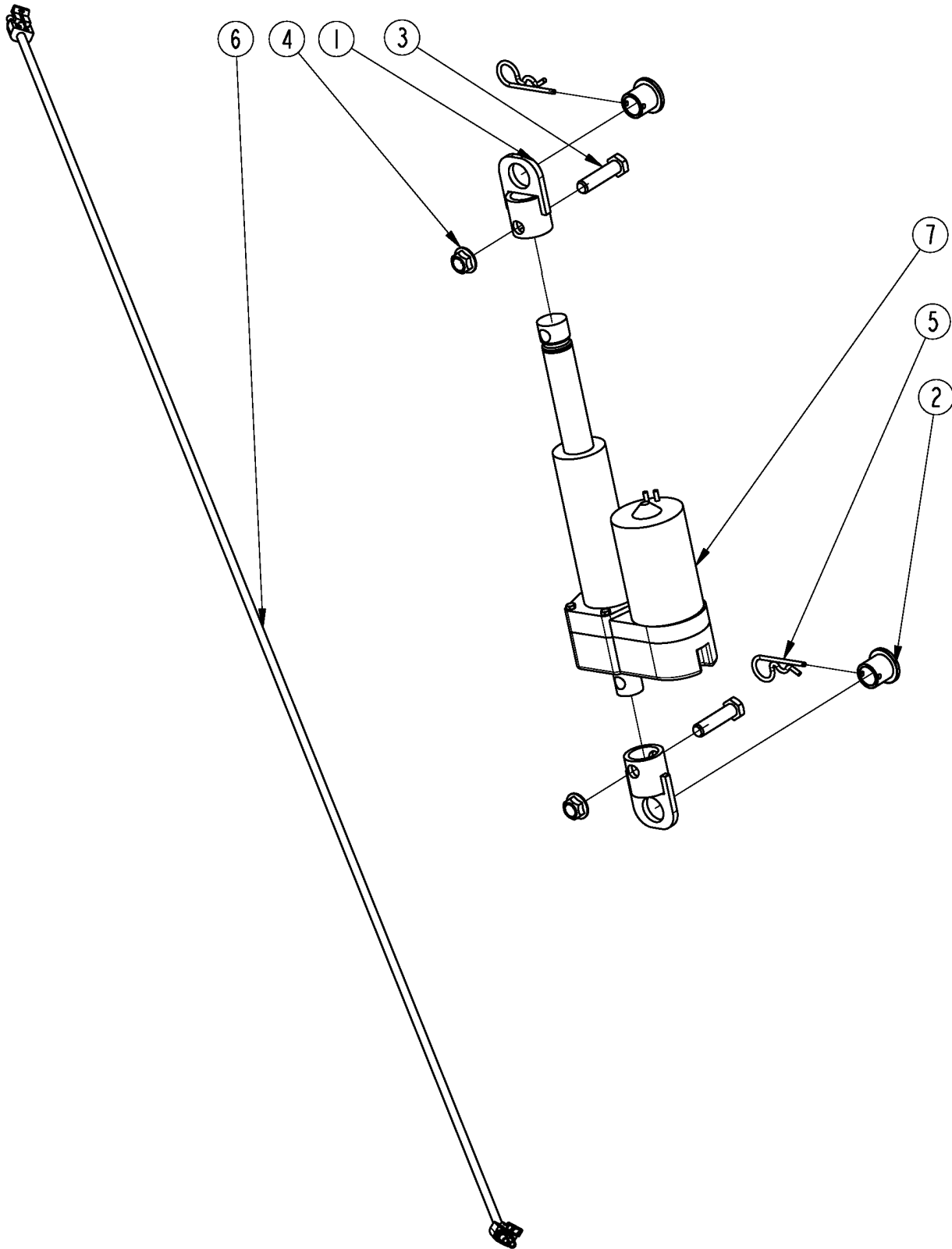
Side Adjustment Plates

Applies to SB1051 S/N 881641+, SB1064 S/N 881641+

Ref	Part No.	Part Description	Comments	Revision
	dwg33071	Drawing Image Number		
1.	370-106A	SIDE PLATE ADJ BUNDLE		
2.	370-212D	SIDE PLATE ADJUSTABLE		
3.	802-155C	RHSNB 3/8-16X1 1/4 GR5		
4.	803-209C	NUT FLANGE LOCK 3/8-16 PLT		

Tilt Adjustment Electric

Applies to SB1051 S/N 881641+, SB1064 S/N 881641+



33070

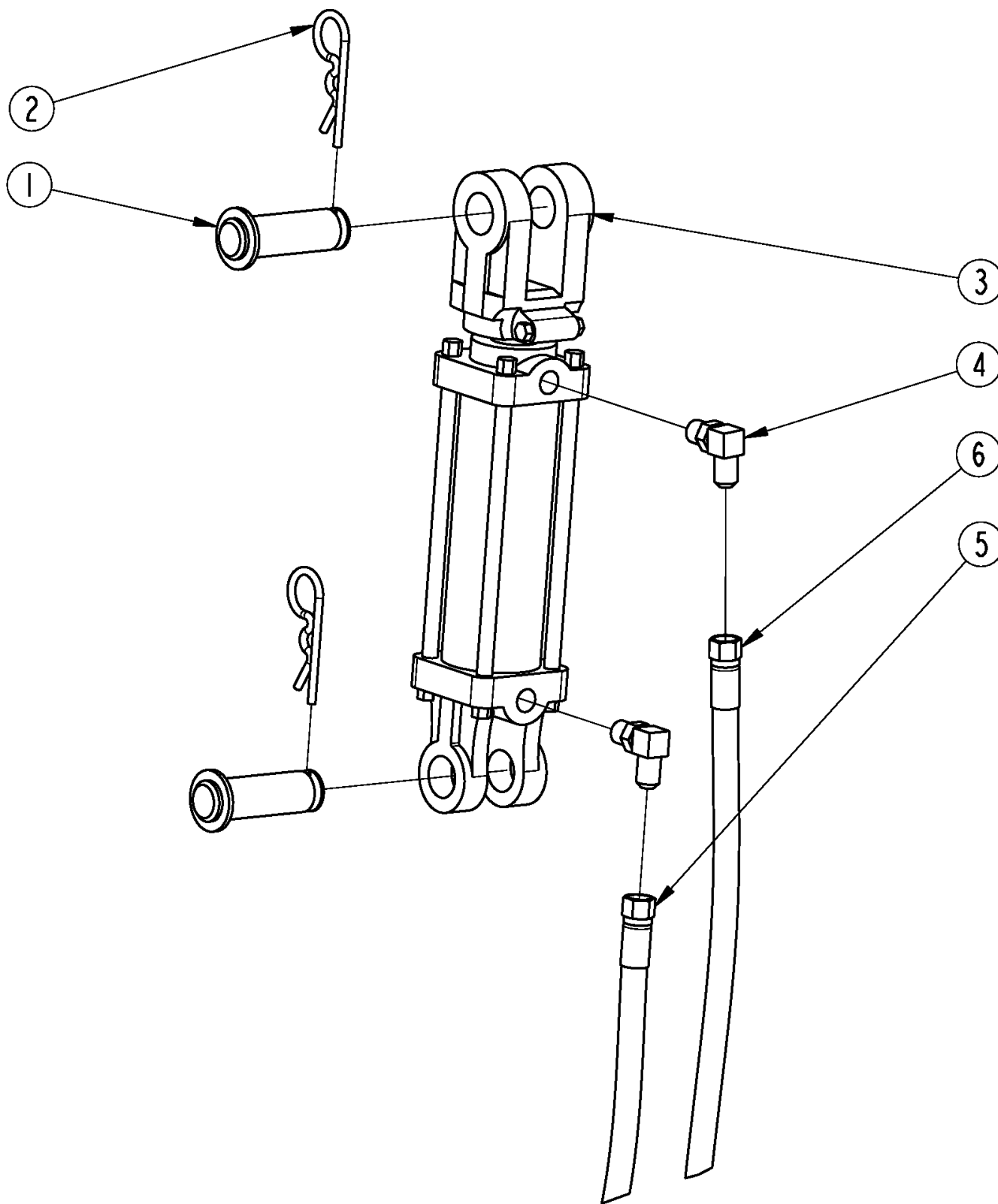
Tilt Adjustment Electric

Applies to SB1051 S/N 881641+, SB1064 S/N 881641+

Ref	Part No.	Part Description	Comments	Revision
	dwg33070	Drawing Image Number		
	370-029A	TILT ADJ ELECTRIC		
	*			
1.	370-069H	ACTUATOR ROD END WELD		
2.	370-243D	TILT PIN		
3.	802-128C	HHCS 1/2-13X2 GR5		
4.	803-169C	NUT HEX FLG LOCK 1/2-13 PLT		
5.	805-032C	PIN HAIR COTTER .148 WIRE		
6.	823-378C	HARNESS ELEC. TILT		
7.	833-557C	ACCUATOR, TILT SNOW BLOWER		

Tilt Adjustment Hydraulic

Applies to SB1051 S/N 881641+, SB1064 S/N 881641+



33069

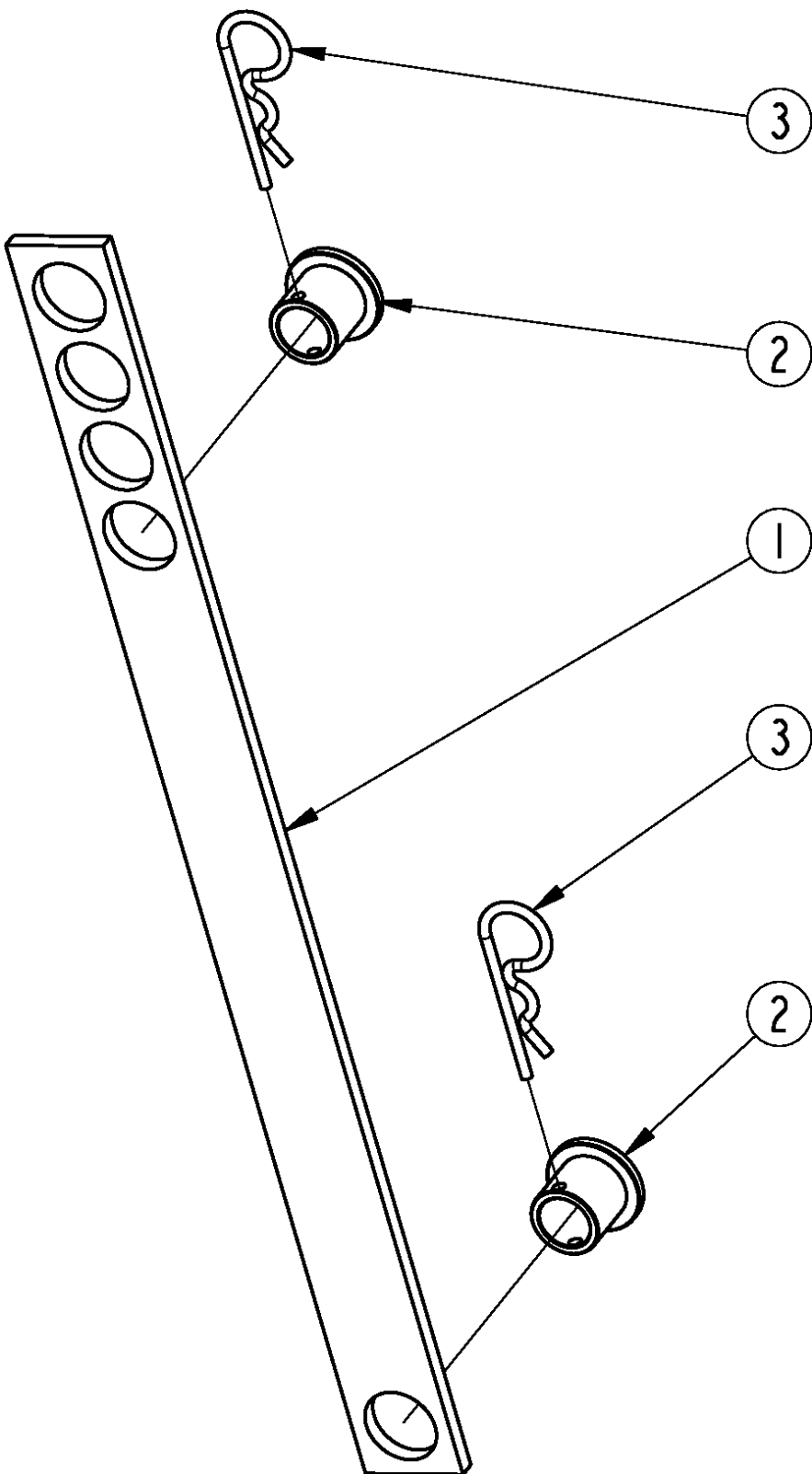
Tilt Adjustment Hydraulic

Applies to SB1051 S/N 881641+, SB1064 S/N 881641+

Ref	Part No.	Part Description	Comments	Revision
	dwg33069 370-023A	Drawing Image Number TILT ADJ HYDRAULIC *		
1.	805-004C	PIN CLEVIS 1 X 2 3/4 USABLE LG		
2.	805-088C	PIN, HAIR COTTER 3/16 WIRE DIA		
3.	810-125C	CYL 2X4X1.12 ROD DBL ACTING		
4.	811-062C	OREL 1/32 9/16MJIC 9/16MORB		
5.	841-533C	HH3/8R2 76.43 3/4MORB 9/16FJIC		
6.	841-534C	HH3/8R2 83.84 3/4MORB 9/16FJIC		

Tilt Adjustment Manual

Applies to SB1051 S/N 881641+, SB1064 S/N 881641+



33068

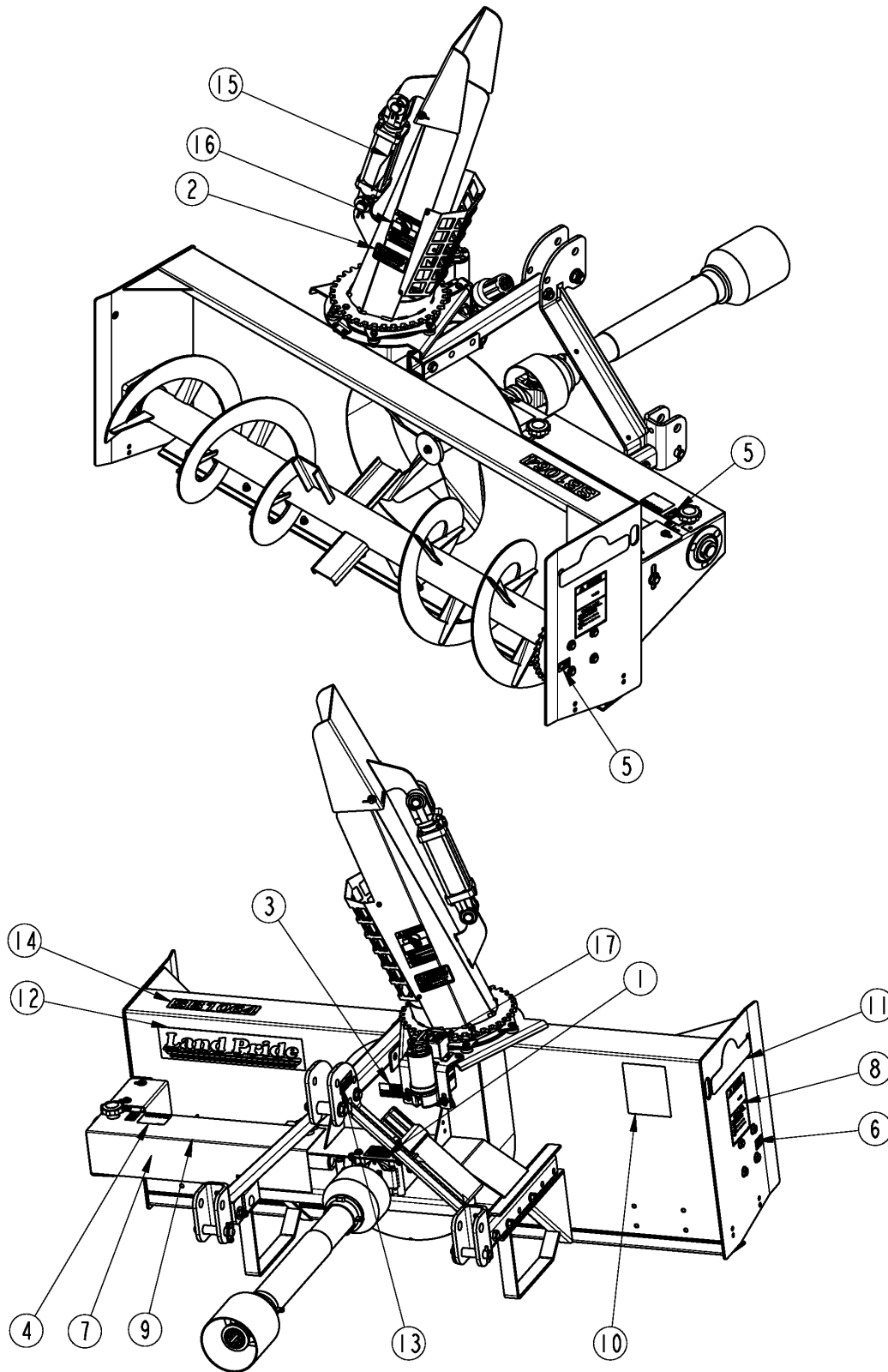
Tilt Adjustment Manual

Applies to SB1051 S/N 881641+, SB1064 S/N 881641+

Ref	Part No.	Part Description	Comments	Revision
	dwg33068	Drawing Image Number		
	370-030A	TILT ADJ MANUAL		
		*		
1.	370-055D	TILT ADJ MANUAL		
2.	370-243D	TILT PIN		
3.	805-032C	PIN HAIR COTTER .148 WIRE		

Decal Placement

Applies to SB1051 S/N 881641+, SB1064 S/N 881641+



37066

Decal Placement**Applies to SB1051 S/N 881641+, SB1064 S/N 881641+**

Ref	Part No.	Part Description	Comments	Revision
	Dwg 37066	Drawing Image Number		
1.	818-130C	DECAL CAUTION 540 RPM		
2.	818-132C	DECAL DANGER THROWN OBJECT HAZ		
3.	818-190C	DECAL FLAG		
4.	818-205C	DECAL WARNING MOVING PARTS HAZ		
5.	818-349C	DECAL GREASE 10 HRS LH		
6.	818-402C	DECAL GREASE 10 HRS RH		
7.	818-522C	DECAL MOVING PARTS DANGER		
8.	818-634C	DECAL DANGER AD ROTATING AUGER		
9.	818-798C	DECAL WARNING PINCH POINT GEN		
10.	818-858C	DECAL WARNING GENERAL SAFTEY		
11.	818-892C	RPBY 838-963C	Beige Unit	
11.	838-963C	DECAL LP 10" W/TREE BROWN/GOLD	Green, Orange & Red Unit	
12.	818-901C	RPBY 838-965C	Beige Unit	
12.	838-965C	DECAL LANDPRIDE 16" BROWN/GOLD	Green, Orange & Red Unit	
13.	838-517C	DECAL QUICK HITCH SYSTEM		
14.	848-585C	DECAL SB1051 GOLD		
14.	848-586C	RPBY 848-585C	Obsolete	
14.	848-720C	DECAL SB1064 GOLD		
14.	848-721C	RPBY 848-720C	Obsolete	
15.	848-747C	DECAL HIGH PRESSURE FLUIDS		
16.	848-840C	DECAL DANGER ROTATING IMPELLER		
17.	858-148C	DECAL PIC--PINCH POINT		

Land Pride Touch-up Paints

Applies to SB1051 S/N 881641+, SB1064 S/N 881641+

No diagram associated with this Parts List

Land Pride Touch-up Paints**Applies to SB1051 S/N 881641+, SB1064 S/N 881641+**

Ref	Part No.	Part Description	Comments	Revision
1.	821-011C	LP BEIGE SPRAY CAN	Spray can	
1.	821-070C	GLOSS BLACK SPRAY CAN	Spray can	
1.	821-054C	MED. RED SPRAY TRCK/CTR	Spray can	
1.	821-058C	GREEN SPRAY CUTTERS	Spray can	
1.	821-066C	ORANGE SPRAY CAN	Spray can	
1.	821-067C	BLUE SPRAY CAN	Spray can	
1.	821-080C	PAINT ALUMINUM/ZINC SPRAY CAN	Spray can	
2.	821-011CTU	LP BEIGE TOUCH-UP 5OZ	Touch-up bottle with brush	
2.	821-070CTU	GLOSS BLACK TOUCH-UP 5OZ	Touch-up bottle with brush	
2.	821-054CTU	MED RED TOUCH-UP 5OZ	Touch-up bottle with brush	
2.	821-058CTU	GREEN TOUCH-UP 5OZ	Touch-up bottle with brush	
2.	821-066CTU	ORANGE TOUCH-UP 5OZ	Touch-up bottle with brush	
2.	821-067CTU	BLUE TOUCH-UP 5OZ	Touch-up bottle with brush	
2.	821-080CTU	PAINT ALUMINUM/ZINC TOUCH UP	Touch-up bottle with brush	
3.	821-011CQT	LP BEIGE QUART	Quart can	
3.	821-070CQT	GLOSS BLACK QUART	Quart can	
3.	821-054CQT	MED RED QUART	Quart can	
3.	821-058CQT	GREEN QUART	Quart can	
3.	821-066CQT	ORANGE QUART	Quart can	
3.	821-067CQT	BLUE QUART	Quart can	
3.	821-080CQT	PAINT ALUMINUM/ZINC QUART	Quart can	
4.	821-011CGL	LP BEIGE GALLON	Gallon can	
4.	821-070CGL	GLOSS BLACK GALLON	Gallon can	
4.	821-054CGL	MED RED GALLON	Gallon can	
4.	821-058CGL	GREEN GALLON	Gallon can	
4.	821-066CGL	ORANGE GALLON	Gallon can	
4.	821-067CGL	BLUE GALLON	Gallon can	
4.	821-080CGL	PAINT ALUMINUM/ZINC GALLON	Gallon can	



Part Number Index

The Part Number Index is a numeric index of all part numbers included in this manual. The index shows what page(s) the part is used on.

Part Number	Page	Part Number	Page	Part Number	Page	Part Number	Page
*	15, 17, 19, 21, 23, 25, 27, 29, 31, 41, 43, 45	370-104H	33	8.2.1.00382	17	804-239C	9
0.259.5020.00	17	370-105A	33	8.4.1.00232	17	805-004C	43
0.281.2212.00	17	370-106A	39	8.5.1.00005	17	805-015C	11
0.281.4212.00	17	370-107A	35	8.7.6.00636	17	805-032C	41, 45
0.281.7100.00	17	370-110A	35	800-001C	7	805-041C	11
060127	17	370-113H	37	800-080C	13	805-065C	23, 25, 33
1.281.0300.00	17	370-114H	37	800-303C	27	805-088C	43
123.340.256.11	15	370-115A	37	800-402C	13	805-136C	19
123.440.704.11	15	370-118A	29	801-019C	23, 25	805-198C	11
130556	31	370-119H	9	801-027C	13	805-363C	9
141.024.430.1	15	370-152D	13	801-171C	19, 21	808-400C	13
142.241.1687421	15	370-165D	11	802-004C	9	808-423C	7, 13
142.241.2417421	15	370-166D	11	802-005C	13	808-440C	7, 13
143.240.011.1	15	370-168D	9	802-007C	13, 23, 25	809-233C	13
151.014.006.1	15	370-208D	23	802-014C	9	810-125C	31, 43
151.014.007.1	15	370-209D	35	802-015C	13, 19, 37	810-751C	21
152.140.2090710	15	370-210D	33	802-017C	19, 21, 23, 25, 33	810-883C	31
153.140.109	15	370-212D	39	802-022C	9	811-062C	43
165.000.525	15	370-214D	35	802-029C	7	811-170C	21
165.000.571	15	370-226D	25	802-068C	11	816-504C	11
165.000.628	15	370-229D	13	802-078C	13	817-870C	9
180.014.130	15	370-243D	41, 45	802-079C	7, 13	818-130C	47
180.014.232	15	370-392H	21	802-091C	7	818-132C	47
180.014.233	15	370-393H	19	802-128C	19, 41	818-190C	47
180.014.240	15	370-396A	21	802-153C	13	818-205C	47
180.016.636	15	370-397A	19	802-155C	39	818-349C	47
186561	31	370-398K	19	802-159C	13, 23, 25	818-402C	47
190.000.012	15	370-399H	19	802-160C	11	818-522C	47
190.000.014	15	370-401H	11	802-162C	11	818-634C	47
190.000.020	15	370-407H	9	802-163C	9	818-798C	47
190.000.098	15	370-407H81	9	802-224C	11	818-858C	47
190.000.099	15	370-407H82	9	802-281C	11	818-892C	47
213-005	27	370-407H83	9	802-318C	13	818-901C	47
219-007	27	370-409H	9	802-571C	11	821-011C	49
219-009	27	370-409H81	9	802-603C	35	821-011CGL	49
235005	31	370-409H82	9	802-673C	7	821-011CQT	49
250-007	27	370-409H83	9	802-741C	21	821-011CTU	49
250-023	27	370-442A	35	802-954C	21	821-054C	49
255-092	27	370-443A	35	803-006C	9	821-054CGL	49
255-093	27	370-453H	9	803-008C	13, 23, 25	821-054CQT	49
255-098	27	370-454S	9	803-013C	9	821-054CTU	49
255-102	27	370-455H	23	803-014C	9, 23, 25, 31	821-058C	49
255-103	27	370-456H	23	803-019C	19	821-058CGL	49
255-104	27	370-457A	23	803-020C	11	821-058CQT	49
255-186	27	370-458H	25	803-021C	13	821-058CTU	49
258851	31	370-459A	25	803-088C	13	821-066C	49
259-001	27	370-460H	25	803-169C	7, 41	821-066CGL	49
259-004	27	370-463H	11	803-181C	11	821-066CQT	49
259-005	27	370-464H	11	803-209C	7, 13, 19, 21, 33, 35, 37, 39	821-066CTU	49
301-293H	33	370-644D	13	803-229C	7	821-067C	49
304-345	27	370-683D	13	803-255C	11, 13	821-067CGL	49
308-400D	11	370-684D	7	803-263C	11	821-067CQT	49
310-020S	11	370-699D	21	803-268C	9	821-067CTU	49
370-006H	13	370-700D	19	804-004C	19, 21	821-070C	49
370-011H	13	370-705D	19, 21	804-006C	9	821-070CGL	49
370-013H	7	370-706D	11	804-007C	21	821-070CTU	49
370-023A	43	370-723D	9	804-009C	13, 23, 25	821-080C	49
370-029A	41	370-728D	9	804-010C	13	821-080CGL	49
370-030A	45	370-742D	35	804-012C	9, 13, 19, 23, 25	821-080CQT	49
370-032H	7	370-743D	35	804-013C	9, 13, 23, 25	821-080CTU	49
370-055D	45	370-755D	23, 25	804-015C	11	822-085C	7
370-057H	13	370-757D	23, 25	804-016C	7	822-166C	17
370-059H	13	370-758D	23, 25	804-021C	11, 13	822-218C	13
370-061D	9	370-763D	23, 25	804-022C	13	822-243C	7
370-069H	41	437208	31	804-029C	33	822-250C	13
370-071D	13	491604	31	804-036C	23, 25	822-253C	9
370-085H	9	492214	31	804-041C	7	823-377C	27, 29
370-103K	33	492669	31	804-046C	19, 21	823-378C	41
		494382	31	804-226C	21	823-379C	19
		8.1.2.01174	17				



Part Number Index (continued)

<u>Part Number</u>	<u>Page</u>
823-386C	29
826-653C	13, 17
826-687C	13, 15
827-001C	33
827-002C	33
827-115C	19
833-543C	19
833-557C	41
837-088C	13
838-517C	47
838-963C	47
838-965C	47
841-533C	43
841-534C	43
841-773C	21
848-585C	47
848-586C	47
848-720C	47
848-721C	47
848-747C	47
848-840C	47
858-148C	47
A.259.500	17
Dwg 12345	9
Dwg 37055	13
Dwg 37059	11
Dwg 37066	47
dwg12345	25, 35
dwg13565	31
dwg33068	45
dwg33069	43
dwg33070	41
dwg33071	39
dwg33072	37
dwg33073	33
dwg33090	29
dwg33091	27
dwg33117	15
dwg33120	17
dwg37056	7
dwg37060	19
dwg37062	21
dwg37065	23
N/A	15, 31
SK-SCR0622000A	21
ZHSK-EBMM	21



Great Plains Manufacturing, Inc.

Corporate Office: P.O. Box 5060
Salina, Kansas 67402-5060 USA

www.landpride.com
