

Skid Steer Control Harness Assembly Instructions



For SSG25 Stump Grinder & SBL25 Snow Blowers

Manual No. 370-349M

Before You Start



When you see this symbol, the subsequent instructions and warnings are serious - follow without exception. Your life and the lives of others depend on it!

IMPORTANT: Before you begin, read these instructions and check to be sure all parts and tools are accounted for. Please retain these instructions for future reference and parts ordering information.

Your Skid Steer Control Harness is exclusively designed for the Land Pride SSG Stump Grinder and SBL25 Series Snow Blowers. Please read these instructions and your Stump Grinder or Snow Blower Operator's Manual thoroughly before beginning. Especially read information relating to safety concerns. Separate Parts Manuals can be purchased from your nearest Land Pride dealer or downloaded free of charge from our web site at www.landpride.com.

SSG Skid Steer Stump Grinder

- Operator's Manual 328-215M
- Parts Manual 328-215P

SBL25 Series Snow Blowers

- Operator's Manual 370-258M
- Parts Manual 370-258P

General Information

These assembly instructions apply to the following Skid Steer Control Harness Accessories listed below:

370-134A Skid Steer Control Harness

Further Assistance

Your dealer wants you to be satisfied with your new control harness. If for any reason you do not understand any part of this manual or are not satisfied with the service received, the following actions are suggested:

1. Discuss the matter with your dealership service manager.
2. If you are still not satisfied, seek out the owner or general manager and explain the problem.
3. For further assistance write to:

Land Pride Service Department
1525 East North Street
P.O. Box 5060
Salina, Ks. 67402-5060

E-mail address
lp servicedept@landpride.com

Assembly Instructions

A detailed listing of parts for this accessory kit is provided on page 6. Use the list as a checklist to inventory parts received. Please contact your local Land Pride dealer for any missing hardware.

Initial Preparations

The steps listed below must be followed before installing this kit:



WARNING

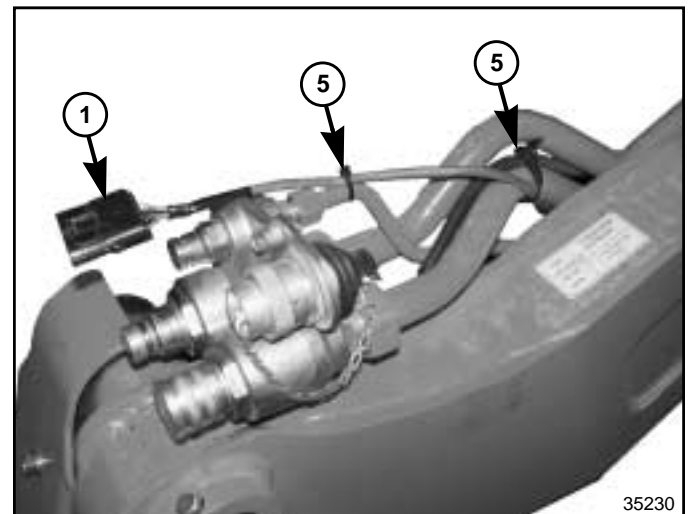
Park vehicle on a flat surface, move gear shift lever to neutral, lower loader arms down until equipment is resting on the ground, set park brake, turn off engine and remove switch key.

Route Wire Harness (#1)

Refer to Figure 1:

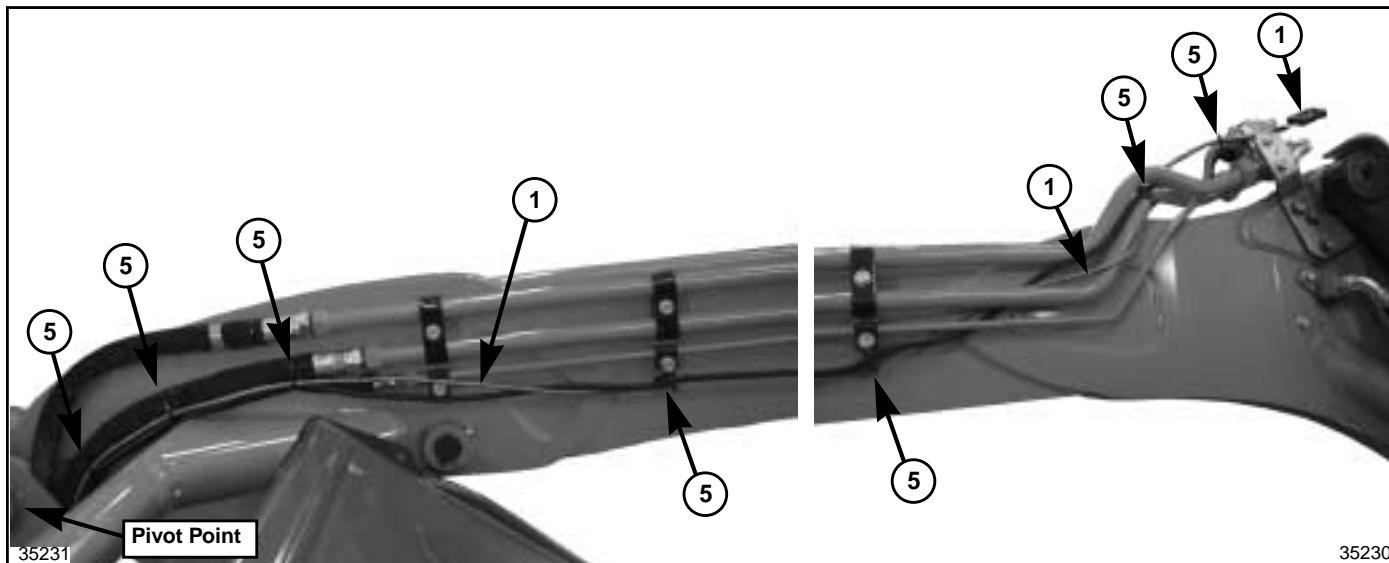
IMPORTANT: Make sure wiring harness (#1) does not become entangled, stretch, or pull apart while loader arms are raised to their highest position.

1. Attach female end of wire harness (#1) to front of loader arm near the hydraulic couplings with cable ties (#5).



Attach Cable to Hydraulic Coupling Lines
Figure 1

Assembly Instructions



Attach Wire Harness Along Loader Arm To Pivot Point
Figure 2

Refer to Figure 2:

IMPORTANT: Make sure wiring harness (#1) does not stretch or pull apart while loader arms are raised to their highest position.

2. Continue routing wire harness (#1) along the loader arm while frequently attaching it to the loader arm hydraulic lines and/or mounting brackets with cable ties (#5). If necessary, add additional cable ties to prevent harness from becoming slack and catching on objects as loader arm is raised and lowered.

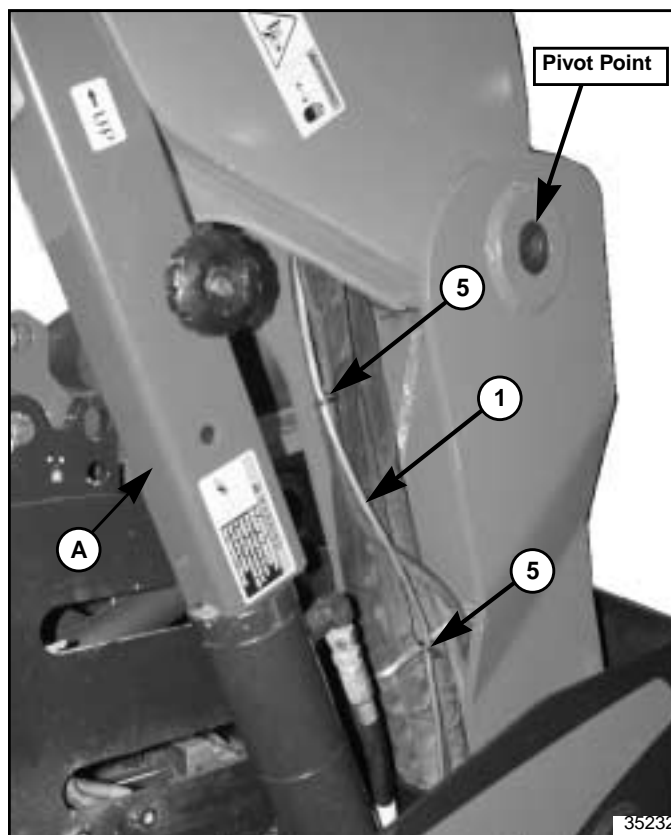
Refer to Figure 3:

IMPORTANT: Make sure wiring harness (#1) does not stretch or pull apart while loader arms are raised to their highest position.

DANGER

Do not work underneath raised skid steer lift arms without first securing loader arms in the raised position with an approved lift-arm support. Not securing loader arms in the raised position can result in a serious injury or death.

3. Raise loader arm up to access area under loader arm pivot point.
4. Before continuing, secure loader arm in the raised position with skid steer supplied lift arm support "A".
5. Continue routing wire harness (#1) below loader arm pivot point while frequently attaching the harness to hydraulic lines and/or mounting brackets with cable ties (#5). Make certain the harness is not slack and will not catch on objects as loader arm is raised and lowered.

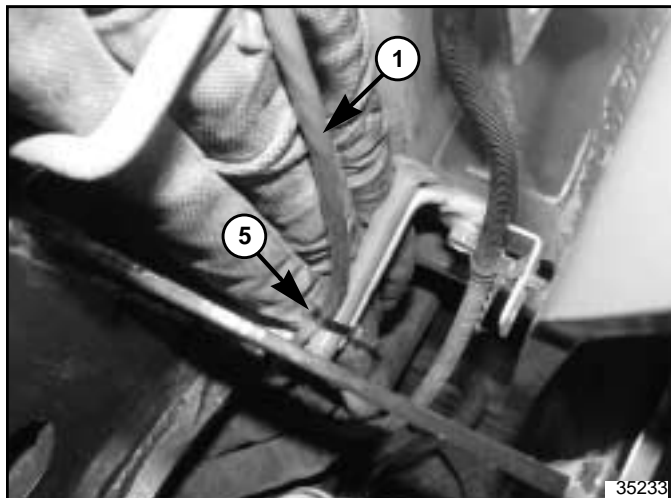


Attach Wire Harness Below Pivot Point
Figure 3

Refer to Figure 4 on page 3:

6. At the bottom of the vertical run and just before crossing over into the engine room, attach wire harness (#1) to hydraulic hoses or mounting bracket with cable tie (#5). Again, make sure harness is snug and cannot catch on objects, stretch, or pull apart as loader arm is operated.

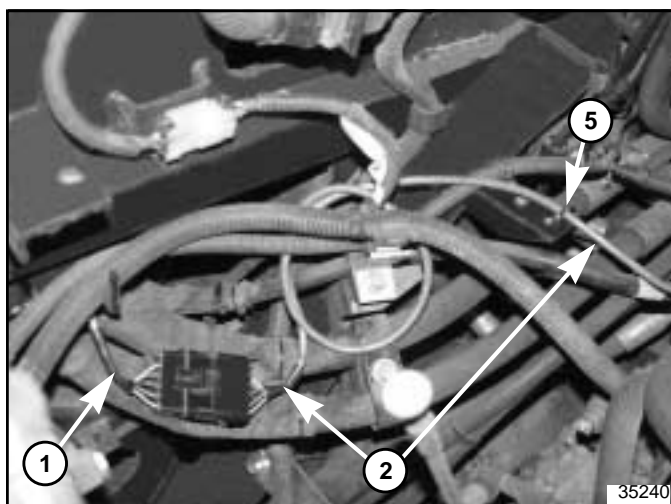
Assembly Instructions



Attach Wire Harness Prior to Entering Engine Room
Figure 4

Refer to Figure 5:

7. Terminate male end of wire harness (#1) in the engine room. Wire harness (#2) will be routed to the same location and connected to wire harness (#1) later.

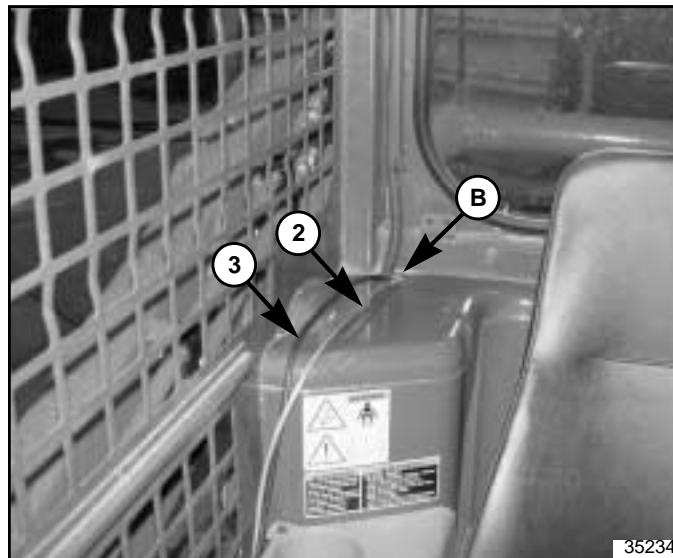


Pass Wire Harness (#1) into Engine Room
Figure 5

Wire Harness (#2) & Power Cord (#3)

Refer to Figure 6:

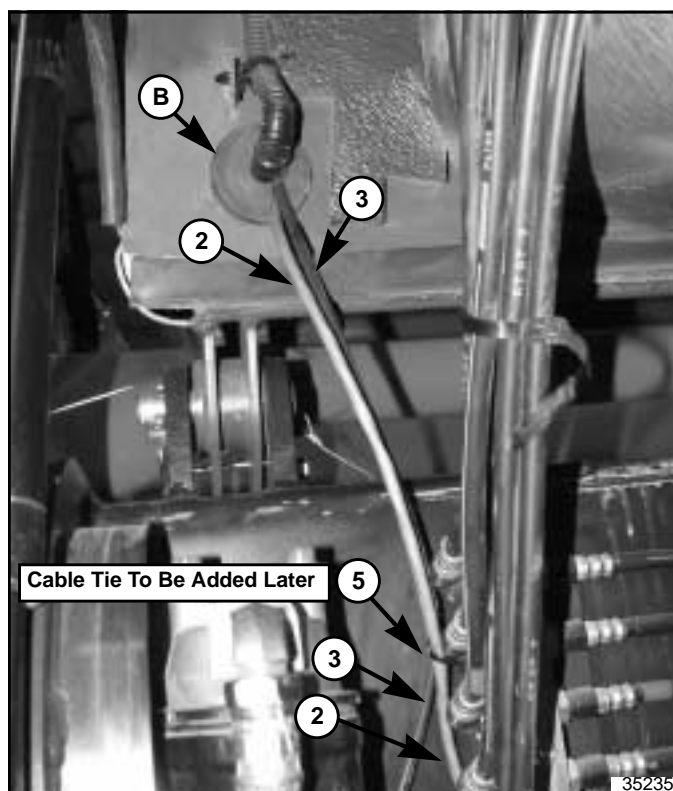
1. Locate inside the cab best location to route wire harness (#2) and power cord (#3) through cab housing. Illustration shown in Figure 6 utilizes existing wire harness hole and rubber grommet "B". Actual location will vary from skid steer to skid steer.
2. Remove rubber grommet "B" from wire harness hole and thread female end of wire harness (#2) and eyelet end of power cord (#3) through grommet. See Figure 7 for illustration of wire harness and power cord protruding through grommet beneath the cab.
3. Replace grommet "B" in wire harness hole.



Thread Wiring Harness (#2) & Power Cord (#3) Thru Cab
Figure 6

Refer to Figure 7:

4. Raise cab up and lock into position to access area beneath the cab.
5. Pull enough wire harness (#2) through rubber grommet "B" to reach wire harness (#1) shown in the engine room in Figure 5.
6. **DO NOT** attach wire harness (#2) & power cord (#3) with cable tie (#5) until routing for both is completed.



Route Wiring Harness (#2) & Power Cord (#3) Beneath Cab
Figure 7

Assembly Instructions

Route Wire Harness (#2)

Refer to Figure 8:

1. Thread wire harness (#2) thru hydraulic hoses along engine fire wall until harness is on the left-hand side of skid steer.
2. Continue to thread wire harness (#2) rearward along left side of skid steer into the engine room.

Refer to Figure 9:

1. Inside the engine room, loop any excess wire harness (#2) around power cords and/or hydraulic hoses near the connection point.
2. Connect wire harness (#2) to wire harness (#1).
3. Attach wire harness (#2) to the skid steer frame or other suitable tie off point close to the harness connection with cable tie (#5).
4. Add any required cable ties (#5) to contain wire harness (#2) in the engine room and under the cab. None were required in this situation as the weaving through the hoses contained the harness.

Route Power Cord (#3)

Refer to Figure 10:

1. Pull enough power cord (#3) through rubber grommet "B" to reach the battery located in the rear of the skid steer.
2. **DO NOT** attach wire harness (#2) & power cord (#3) with cable tie (#5) until routing for both is completed.
3. Refer to Figure 12 on page 5: Disconnect negative (-) black power cord from battery post.
4. Refer to Figure 11 on page 5: Attach positive (+) red wire eyelet to the battery's positive (+) post and tighten fastener hardware.
5. Refer to Figure 12 on page 5: Attach negative (-) black wire eyelet and negative (-) black power cord to the battery's negative (-) post and tighten.

Refer to Figure 10:

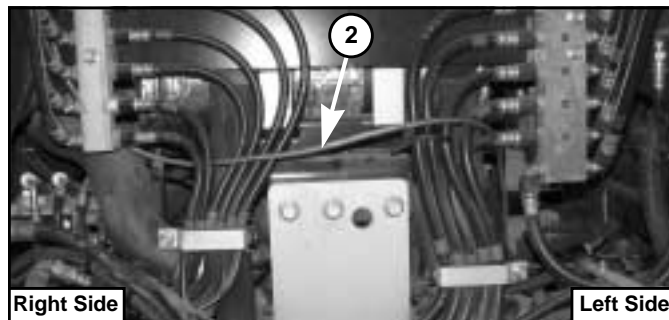
IMPORTANT: Make sure wire harness (#2) and power cord (#3) will not stretch or pull apart as the cab is raised and lowered or become entangled with moving components in the engine room. Add cable tie (#5) where needed.

6. Attach wire harness (#2) and power cord (#3) with cable tie (#5) near the area where the harness exit through the cab as shown in Figure 10.

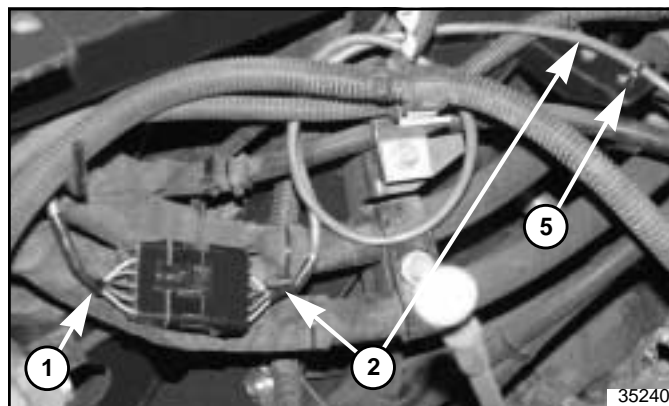
Mount Control Box

Refer to Figure 13 on page 5:

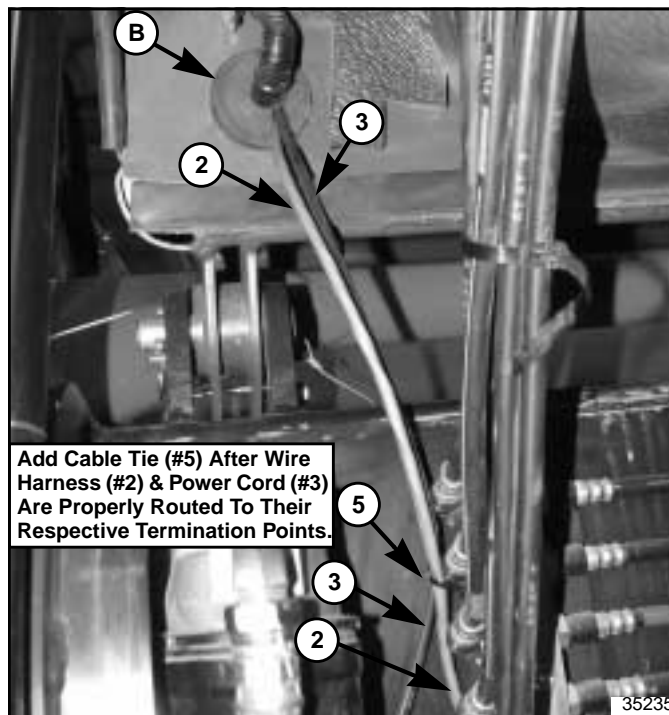
1. Locate inside the cab where control box (#6) can be mounted that is easy to access and operate.
2. Fasten control box (#6) to that area with hardware furnished by the customer.
3. Plug wire harness (#2) and power cord (#3) to control box (#6).



Thread Wiring Harness (#2) Along Firewall
Figure 8



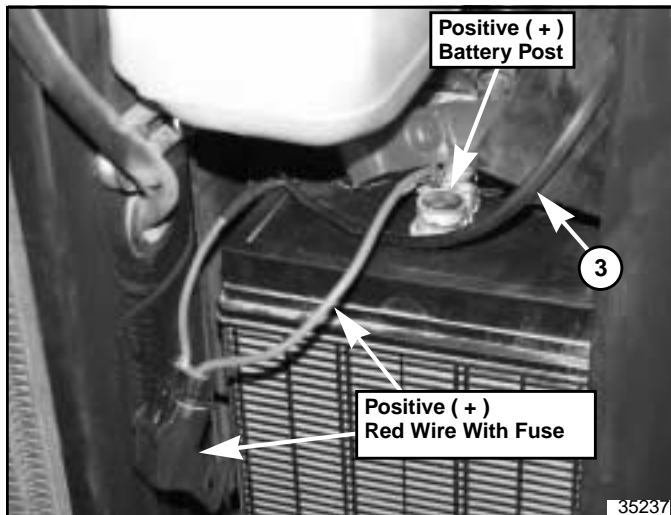
Connect Wire Harness (#2) to Wire Harness (#1)
Figure 9



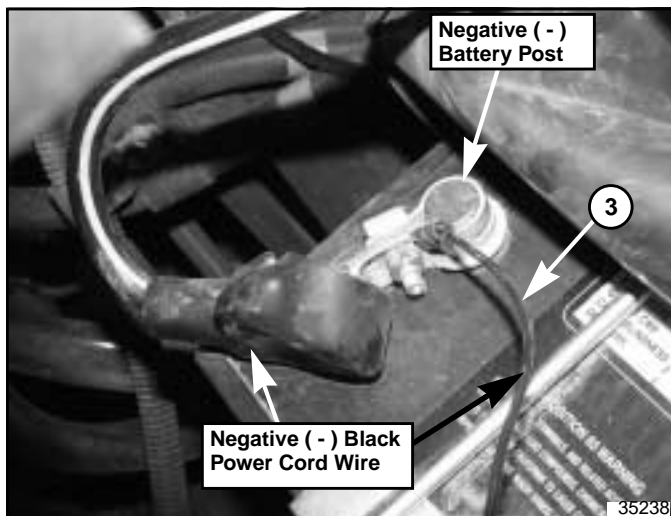
Route Wiring Harness (#2) & Power Cord (#3) Beneath Cab
Figure 10

4. Make sure all wiring harness inside the cab are placed in an out-of-the-way area to prevent entanglement with cords.

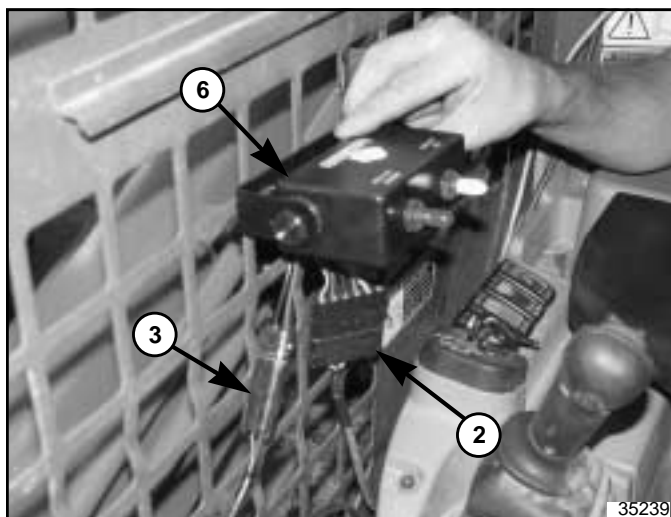
Assembly Instructions



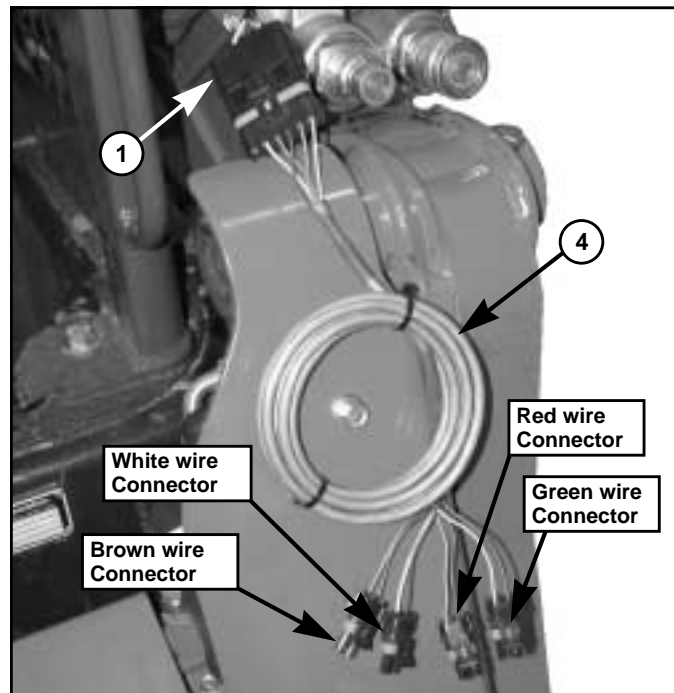
Battery's Positive (+) Post Connection
Figure 11



Battery's Negative (-) Post Connection
Figure 12



Mount Control Box
Figure 13



Attach Solenoid Harness to Skid Steer Harness
Figure 14

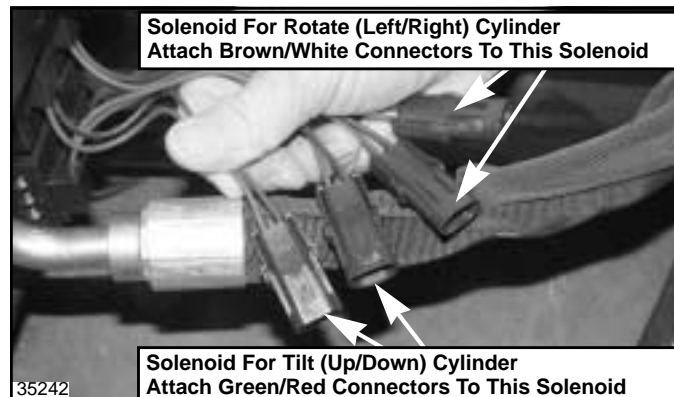
Attach Solenoid Harness

Refer to Figure 14:

1. Attach solenoid harness (#4) to wire harness (#1).

Refer to Figure 15:

2. Locate the solenoid that will operate the (up/down) tilt cylinder and attach green wire and red wire connectors in Figure 14 to that solenoid.
3. Locate the solenoid that will operate the (left/right) rotate cylinder or motor and attach brown wire and white wire connectors in Figure 14 to that solenoid.
4. Operate tilt switch. Change green wire connector with red wire connector if tilt cylinder operates in the opposite direction desired.
5. Operate rotate switch. Change brown wire connector with white wire connector if unit rotates in the opposite direction desired.



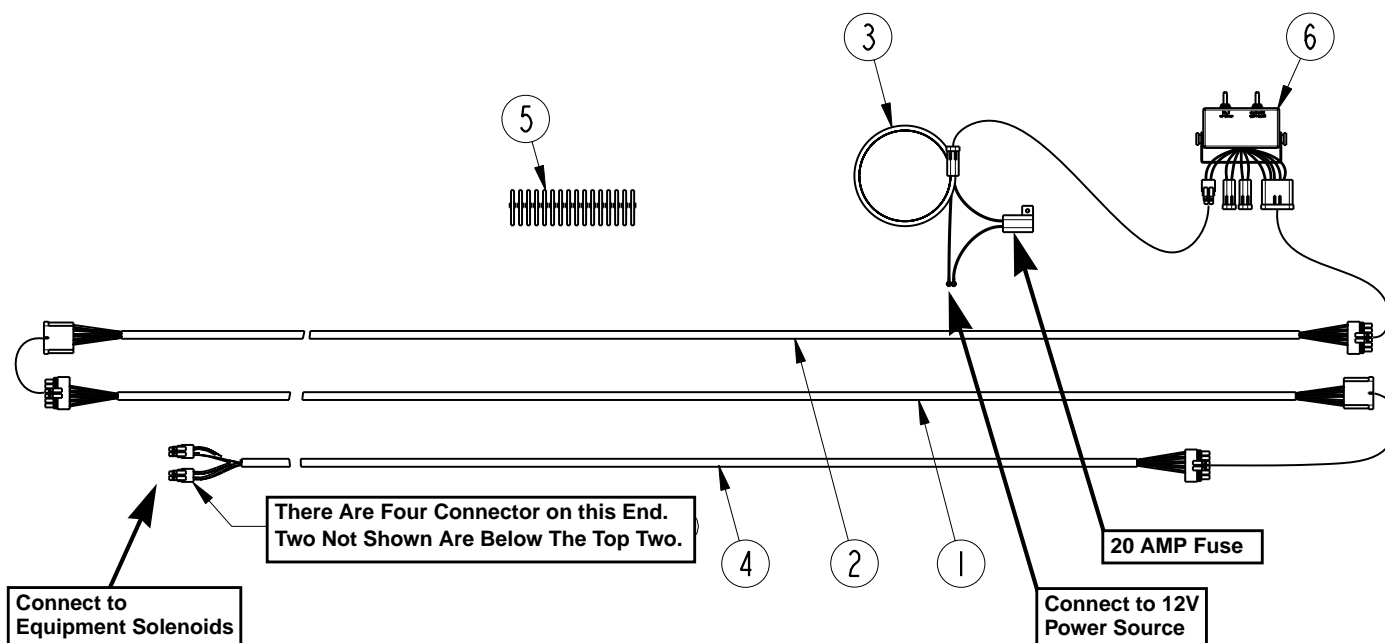
Attach Solenoid Wires to Equipment
Figure 15

Listing of Parts

Kit No. 370-134A

Skid Steer Control Harness

Item	Part No.	Part Description	Qty
1	823-385C	HARNESS EXTENSION (11' - 0" long.)	1
2	823-385C	HARNESS EXTENSION (11' - 0" long.)	1
3	823-386C	HARNESS, POWER (13' - 0" long)	1
4	823-405C	HARNESS SOLENOID 2 PRIORITY (8' - 11" long.)	1
5	800-112C	CABLE TIE .19X7.25 1.75D 50LB	16
6	823-377C	CONTROL BOX 2 PRIORITY	1



Corporate Office: P.O. Box 5060
 Salina, Kansas 67402-5060 USA
www.landpride.com