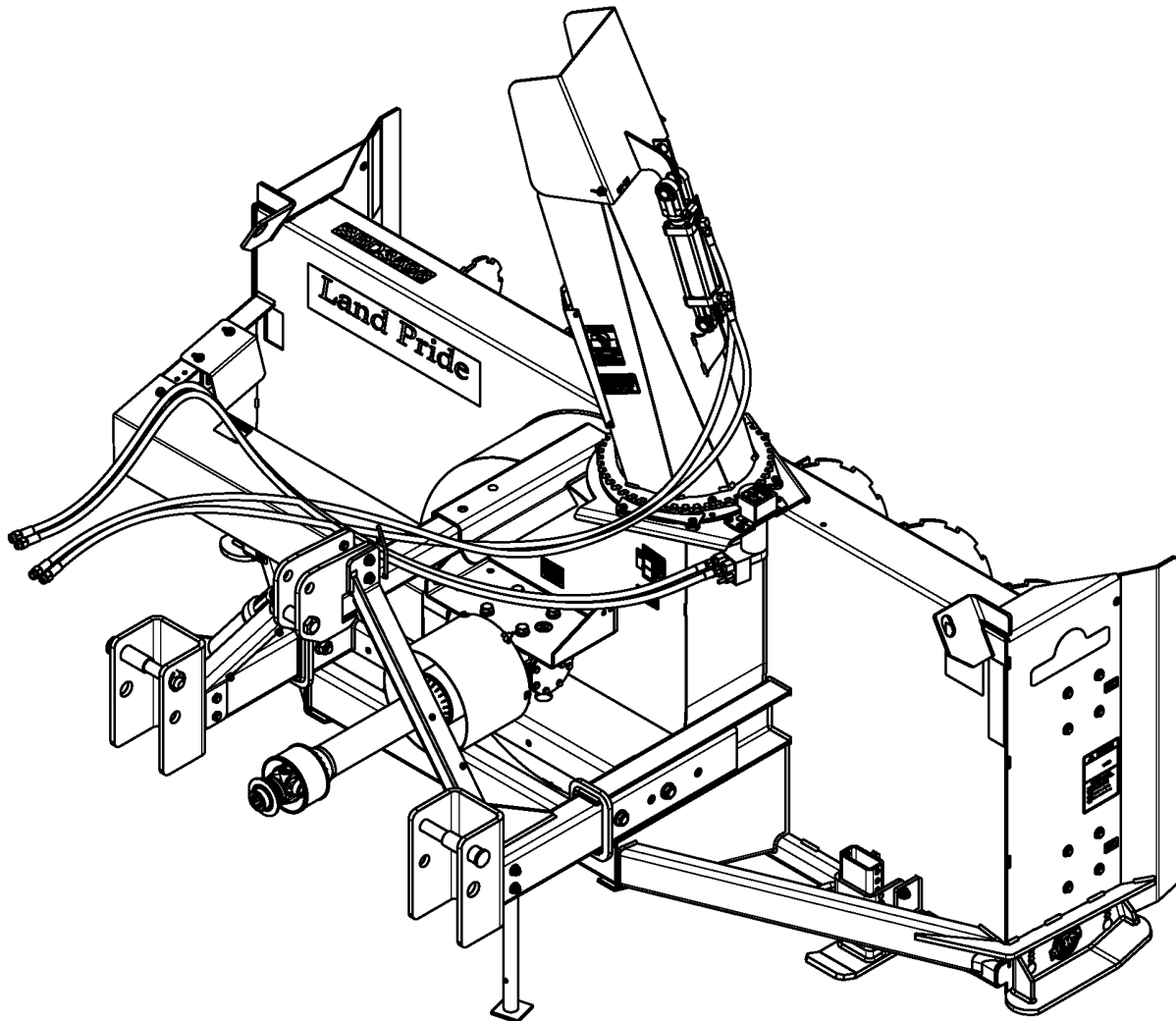


# Snow Blowers

---

## SBD3596 & SBD35108



35729

### 370-347P Parts Manual



Read the Operator's Manual entirely. When you see this symbol, the subsequent instructions and warnings are serious - follow without exception. Your life and the lives of others depend on it!

© Copyright 2018 Printed 07/11/18

Cover photo may show optional equipment not supplied with standard unit.





# Table of Contents

<b>Section 1: Introduction.....</b>	<b>4</b>
Using This Manual.....	4
Manual Replacement Information.....	4
Manual Revisions.....	4
Touch-up Paint.....	4
Hardware Legend.....	5
Replacement Hardware.....	5
Serial Numbers.....	5
Part Number Service Coding.....	5
<b>Section 2: Frame &amp; Auger Components.....</b>	<b>6</b>
Auger Components Dual SBD35108 (S/N 901961 to S/N 915080).....	6
Auger Components Dual SBD35108 (S/N 915081+).....	8
Auger Components Dual SBD3596 (S/N 901961 to S/N 915080).....	10
Auger Components Dual SBD3596 (S/N 915081+).....	12
Chute Adjustment Hydraulic (S/N 901961+).....	14
Cutting Edge.....	16
Frame & Chute Components SBD35108.....	18
Frame & Chute Components SBD3596.....	20
Hitch Components.....	22
<b>Section 3: Drive Components.....</b>	<b>24</b>
Auger & Impeller Drive SBD35108.....	24
Auger & Impeller Drive SBD3596.....	26
Driveline (826-751C).....	28
Driveline (826-752C).....	30
Driveline (826-753C).....	32
Driveline (826-755C).....	34
Gearbox (826-749C).....	36
Gearbox (826-754C).....	38
<b>Section 4: Options &amp; Accessories.....</b>	<b>40</b>
1000 RPM Chain Reduction Components (S/N 901961+).....	40
1000 RPM Chain Reduction Mount Components (S/N 901961+).....	42
Hydraulic Cylinder Double Acting (810-125C) Lion.....	44
Inner Skid Shoes (S/N 901961+).....	46
Outer Skid Shoes (S/N 901961+).....	48
Tilt Adjustment Hydraulic.....	50
Tilt Adjustment Manual.....	52
<b>Section 5: Decals.....</b>	<b>54</b>
Decal Placement.....	54
Land Pride Touch-up Paints.....	56
<b>Part Number Index.....</b>	<b>58</b>

© Copyright 2018. All rights reserved.

Land Pride provides this publication “as is” without warranty of any kind, either expressed or implied. While every precaution has been taken in the preparation of this manual, Land Pride assumes no responsibility for errors or omissions. Neither is any liability assumed for damages resulting from the use of the information contained herein. Land Pride reserves the right to revise and improve its products as it sees fit. This publication describes the state of this product at the time of its publication, and may not reflect the product in the future. The illustrations in this manual are not intended for safe and proper assembly or disassembly of equipment. The illustrations are intended for ordering parts only.

Land Pride is registered trademark.

All other brands and product names are trademarks or registered trademarks of their respective holders.

*Printed in the United States of America.*



# Alphabetized Table of Contents

---

<b>1</b>	1000 RPM Chain Reduction Components (S/N 901961+).....	40
	1000 RPM Chain Reduction Mount Components (S/N 901961+).....	42
<b>A</b>		
	Auger & Impeller Drive SBD35108.....	24
	Auger & Impeller Drive SBD3596.....	26
	Auger Components Dual SBD35108 (S/N 901961 to S/N 915080).....	6
	Auger Components Dual SBD35108 (S/N 915081+).....	8
	Auger Components Dual SBD3596 (S/N 901961 to S/N 915080).....	10
	Auger Components Dual SBD3596 (S/N 915081+).....	12
<b>C</b>		
	Chute Adjustment Hydraulic (S/N 901961+).....	14
	Cutting Edge.....	16
<b>D</b>		
	Decal Placement.....	54
	Driveline (826-751C).....	28
	Driveline (826-752C).....	30
	Driveline (826-753C).....	32
	Driveline (826-755C).....	34
<b>F</b>		
	Frame & Chute Components SBD35108.....	18
	Frame & Chute Components SBD3596.....	20
<b>G</b>		
	Gearbox (826-749C).....	36
	Gearbox (826-754C).....	38
<b>H</b>		
	Hitch Components.....	22
	Hydraulic Cylinder Double Acting (810-125C) Lion.....	44
<b>I</b>		
	Inner Skid Shoes (S/N 901961+).....	46
<b>L</b>		
	Land Pride Touch-up Paints.....	56
<b>O</b>		
	Outer Skid Shoes (S/N 901961+).....	48
<b>T</b>		
	Tilt Adjustment Hydraulic.....	50
	Tilt Adjustment Manual.....	52

# General Information

## Using This Manual

This manual is divided into sections. The first section contains General Information. The remaining sections divide the machine into segments (i.e. Frames, Drives, Hydraulics, etc.) which illustrate and list all parts. A Parts Number Index is located at the back of the book.

The Land Pride parts in this manual are specially designed for this machine and should be replaced with Land Pride parts only.

The information in this manual is current at time of printing. Some parts may change to assure top performance.

Right-hand and left-hand as used in this manual are determined by facing the direction the machine will travel while in use.

Below is an example of two facing pages from a parts manual. Familiarize yourself with the type of information contained on these pages.

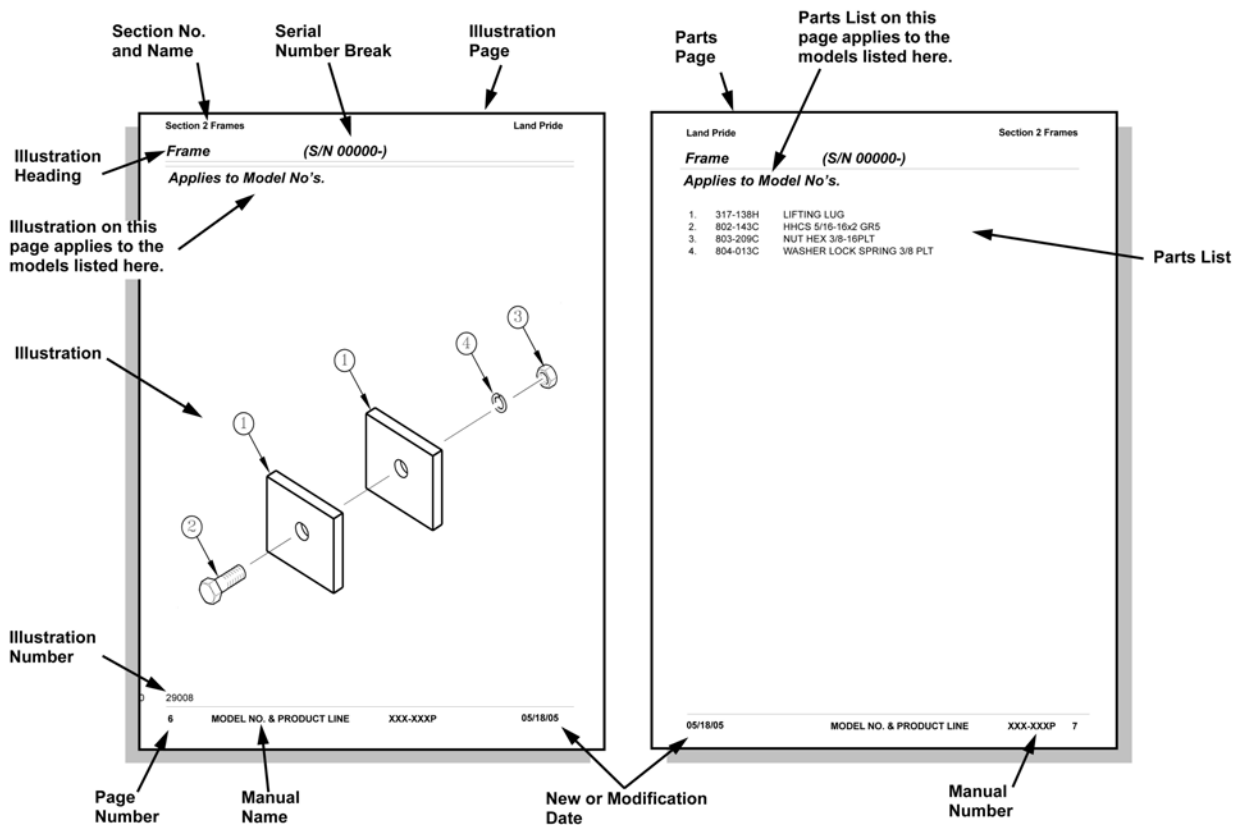
## Manual Replacement Information

Replacement manuals are available. Refer to our website at [www.landpride.com](http://www.landpride.com) or e-mail us at [lit@landpride.com](mailto:lit@landpride.com) for additional information. Our website continues to provide the most up-to-date manuals available.

## Touch-up Paint

Repaint parts where paint is worn or scratched to prevent rust. Aerosol cans and touch-up bottles with brush applicator are available through your local dealer. Also available are quart and gallon size paints. Add QT or GL to end of the Aerosol P/N.

Land Pride color descriptions and part numbers are listed on the "Land Pride Touch-up Paints" page in the "Decals" section of this book. Color options vary by product.



## General Information

### Hardware Legend

<b>AR</b>	As Required
<b>BLADE</b>	Blade Bolt
<b>C</b>	Cap Screw
<b>CP</b>	Cotter Pin
<b>CPHSSS</b>	Cup Point Hex Socket Set Screw
<b>CPSHSS</b>	Cup Point Square Head Set Screw
<b>CPSQHSS</b>	Cup Point Square Head Set Screw
<b>CRFCHMS3</b>	Cross Recess Flat Countersunk Head Machine Screw
<b>CRPHMS</b>	Cross Recess Pan Head Machine Screw
<b>CRPHTF</b>	Cross Recess Pan Head Thread Forming
<b>CRRHMS</b>	Cross Recess Round Head Machine Screw
<b>CRTHMS</b>	Cross Recess Truss Head Machine Screw
<b>CSNB</b>	Countersunk Square Neck Bolt
<b>FHMS</b>	Flat Head Machine Screw
<b>FTC</b>	Full Thread Cap Screw
<b>H</b>	Hex Nut
<b>HCLN</b>	Hex Center Lock Nut
<b>HFLCS</b>	Hex Flange Lock Cap Screw
<b>HFS</b>	Hex Flange Screw
<b>HFSLN</b>	Hex Flange Serrated Lock Nut
<b>HFSS</b>	Hex Flange Serrated Screw
<b>HHCS</b>	Hex Head Cap Screw or Metric Bolt
<b>HSBHCS</b>	Hex Socket Button Head Cap Screw
<b>HSFCHCS</b>	Hex Socket Flat Countersunk Head Cap Screw
<b>HSHCS</b>	Hex Socket Head Cap Screw
<b>HSSS</b>	Hex Socket Head Screw
<b>HTLN</b>	Hex Top Lock Nut
<b>HWHCS</b>	Hex Washer Head Cap Screw

<b>HWHMS</b>	Hex Washer Head Machine Screw
<b>HXBHCS</b>	Hex Socket Button Head Cap Screw
<b>J</b>	Hex Jam Nut
<b>JIC</b>	37 Degree Tapered Thread
<b>L</b>	Helical Spring Lock Washer
<b>LUG</b>	Lug Bolt
<b>NFC</b>	National Fine Cap Screw
<b>NPSM</b>	National Pipe Straight Mechanical
<b>NPTF</b>	National Pipe Taper Fuel
<b>P</b>	Wide Plain Washer
<b>PHMS</b>	Pan Head Machine Screw
<b>PLOW</b>	Plow Bolt
<b>RHMS</b>	Round Head Machine Screw
<b>RHSNB</b>	Round Head Square Neck Bolt
<b>SCREW LEVELING</b>	Leveling Screw
<b>SCREW THUMB</b>	Thumb Screw
<b>SCREW WELD</b>	Weld Screw
<b>SFCHMS</b>	Slotted Flat Countersunk Head Machine Screw
<b>SFHMS</b>	Slotted Fillister Head Machine Screw
<b>SP</b>	Special
<b>SP SCREW</b>	Special Screw
<b>SOHSS</b>	Square Head Set Screw
<b>SRHMS</b>	Slotted Round Head Machine Screw
<b>SSS</b>	Socket Set Screw
<b>STCS</b>	Self Tapping Cap Screw
<b>STHMS</b>	Slotted Truss Head Machine Screw
<b>WHEEL</b>	Wheel Studs and Hub Long Bolts
<b>WING</b>	Wing Bolt

### Replacement Hardware

The **Hardware Legend** above lists hardware abbreviations used in the parts list. All bolts and nuts are Grade 5 unless otherwise noted. The use of improper grades of hardware can result in personal injury, damage to equipment, or loss of property.

### Colored Replacement Parts

Land Pride offers replacement parts in factory standard colors and also on select models in Green, Orange, Red and Blue. Because of the variety of colors available, special attention must be given to the part number to prevent ordering the wrong replacement part.

A suffix number corresponding to one of the colors below must be added at the end of Land Pride's part number when ordering a replacement part with that color.

**81 . . . . . Green      83 . . . . . Red**  
**82 . . . . . Orange    84 . . . . . Blue**

For example, if you are ordering a replacement part with part number 555-555C and the part you need is red, then add the suffix 83 to the end of the number to make the part number read 555-555C83. Parts ordered without a suffix number will be supplied in factory standard colors.

### Black Replacement Parts

Some parts are factory standard black and some must be special ordered black. If your part is special ordered black, a second part number with the additional suffix number 85 on the end will be available. In this situation you must order that part with the suffix number for it to be black. Parts that are factory standard black will not have the suffix number.

### Part Number Service Coding

Within the parts list some part numbers are coded for revisions and interchangeability. See notations in revision column.

### Serial Numbers

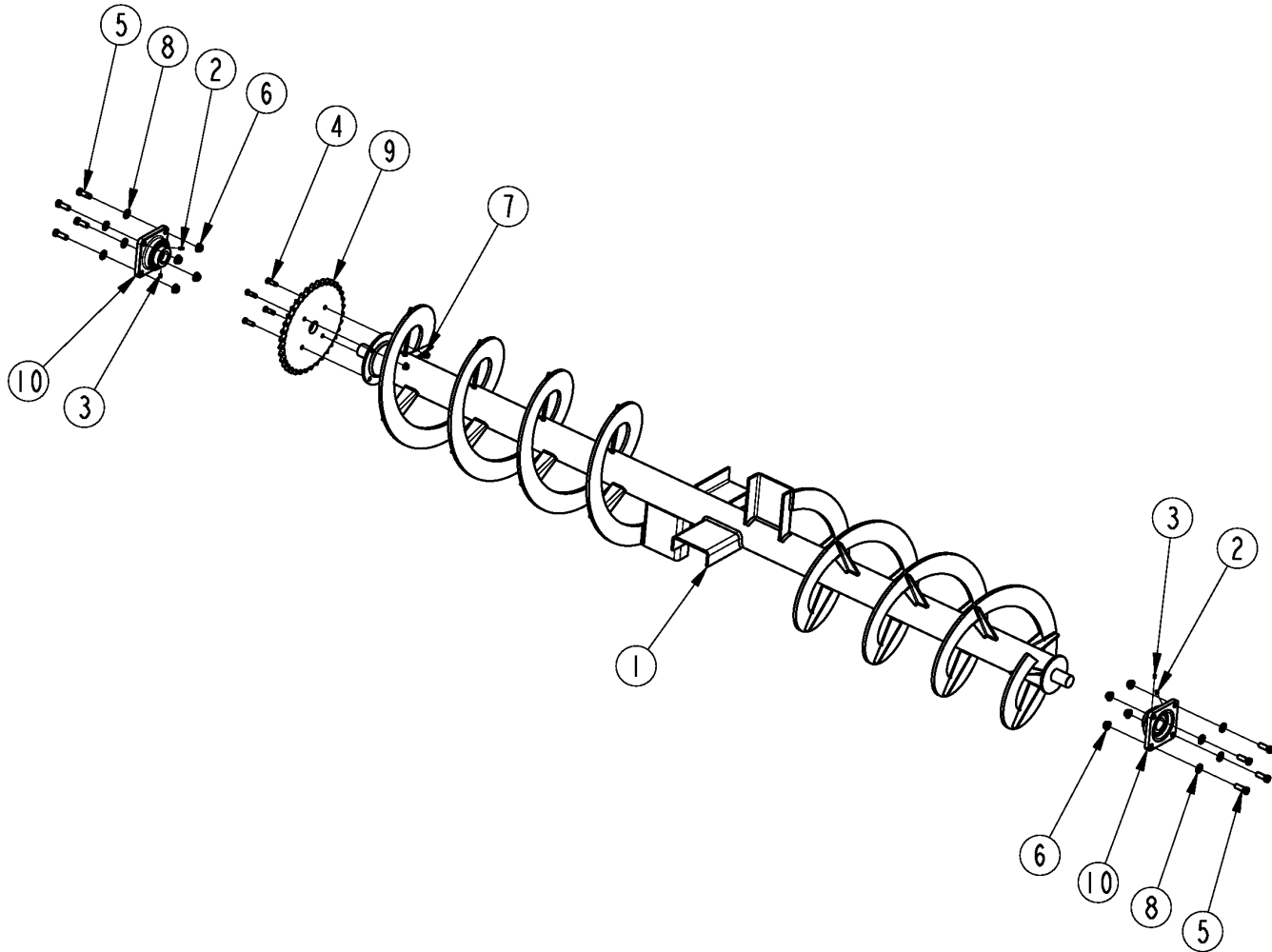
Always use the serial and model number when ordering parts. Refer to the Operator's Manual for serial number plate location.

- |                      |  |
|----------------------|--|
| (S/N 20001+)         | Includes serial numbers 20001 and above (to the latest number)   |
| (S/N 10001 to 20000) | Includes serial numbers between and including 10001 and 20000    |
| (S/N 10000-)         | Includes serial numbers 10000 and below (to the earliest number) |

**Auger Components Dual SBD35108 (S/N 901961 to S/N 915080)**

---

Applies to SBD35108



37480

***Auger Components Dual SBD35108 (S/N 901961 to S/N 915080)***

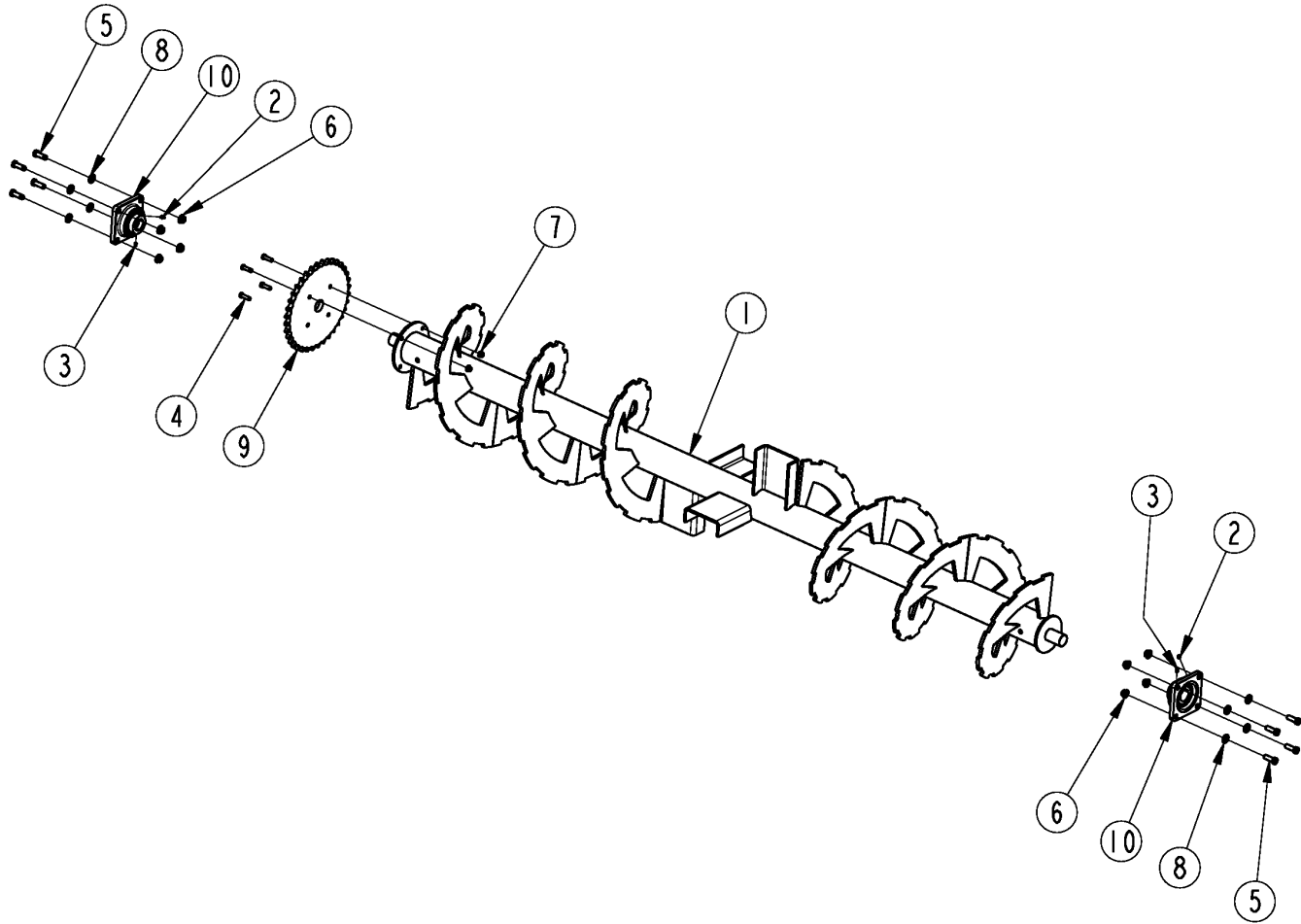
---

**Applies to SBD35108**

<b>Ref</b>	<b>Part No.</b>	<b>Part Description</b>	<b>Comments</b>	<b>Revision</b>
	Dwg 37480	Image No.		
1.	370-300H	RPBY 370-462H		
2.	800-001C	GREASE ZERK STRAIGHT 1/4-28		
3.	801-108C	SCREW SET SCKT HD 1/4-20X3/8		
4.	802-079C	HHCS 3/8-16X1 1/4 GR5		
5.	802-091C	HHCS 1/2-13X1 1/2 GR5		
6.	803-169C	NUT HEX FLG LOCK 1/2-13 PLT		
7.	803-209C	NUT FLANGE LOCK 3/8-16 PLT		
8.	804-016C	WASHER FLAT 1/2 SAE PLT		
9.	808-448C	SPKT 8036 W/4 HOLES SBD		
10.	822-004C	BRG FLG 1.50ID 4BLT LOCK		

**Auger Components Dual SBD35108 (S/N 915081+)**

Applies to SBD35108



35759



**Auger Components Dual SBD35108 (S/N 915081+)**

---

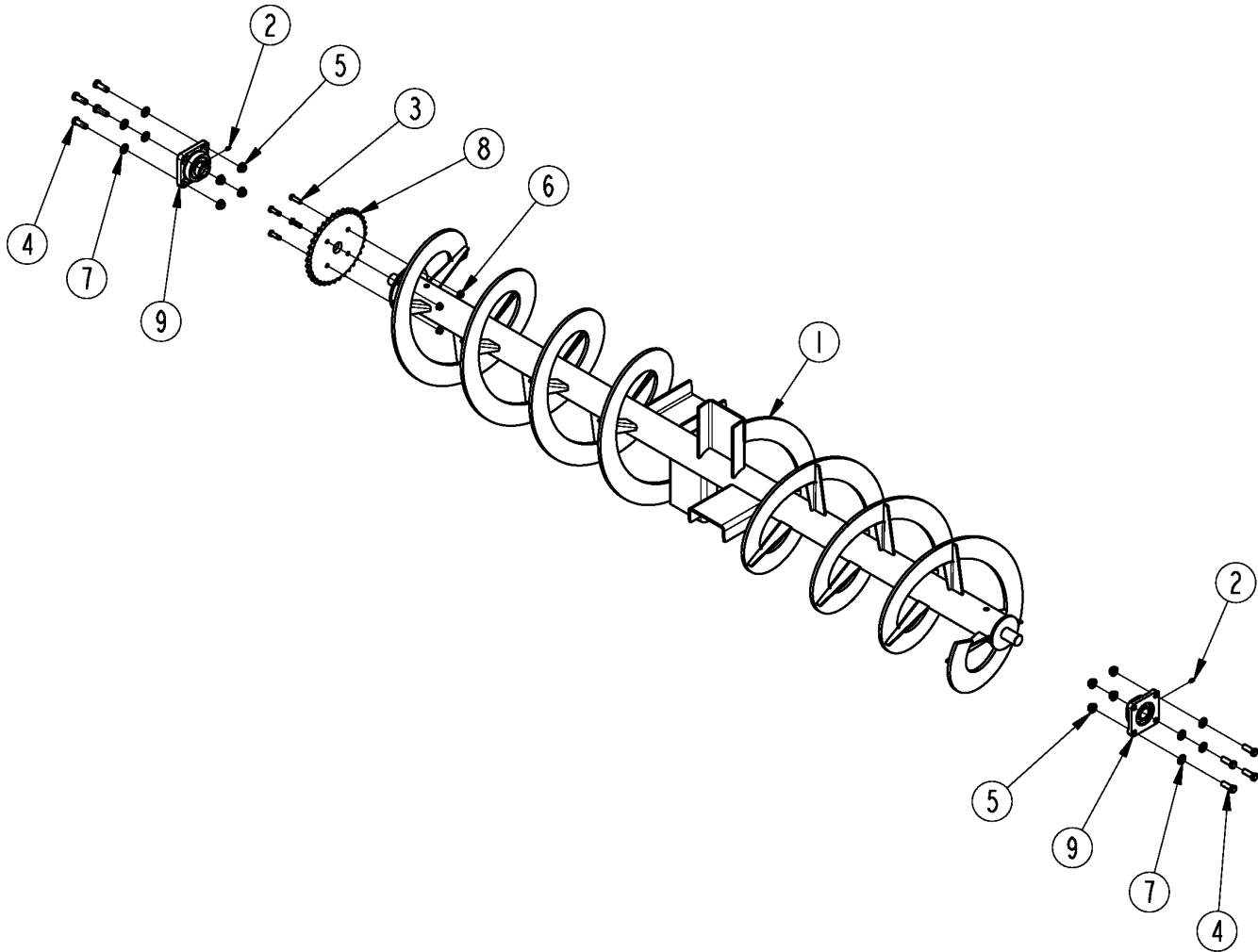
**Applies to SBD35108**

<b>Ref</b>	<b>Part No.</b>	<b>Part Description</b>	<b>Comments</b>	<b>Revision</b>
	dwg35759	Drawing Image Number		
1.	370-462H	AUGER WELD SBD35108		
2.	800-001C	GREASE ZERK STRAIGHT 1/4-28		
3.	801-108C	SCREW SET SCKT HD 1/4-20X3/8		
4.	802-079C	HHCS 3/8-16X1 1/4 GR5		
5.	802-091C	HHCS 1/2-13X1 1/2 GR5		
6.	803-169C	NUT HEX FLG LOCK 1/2-13 PLT		
7.	803-209C	NUT FLANGE LOCK 3/8-16 PLT		
8.	804-016C	WASHER FLAT 1/2 SAE PLT		
9.	808-448C	SPKT 8036 W/4 HOLES SBD		
10.	822-004C	BRG FLG 1.50ID 4BLT LOCK		

**Auger Components Dual SBD3596 (S/N 901961 to S/N 915080)**

---

Applies to SBD3596



35730

**Auger Components Dual SBD3596 (S/N 901961 to S/N 915080)**

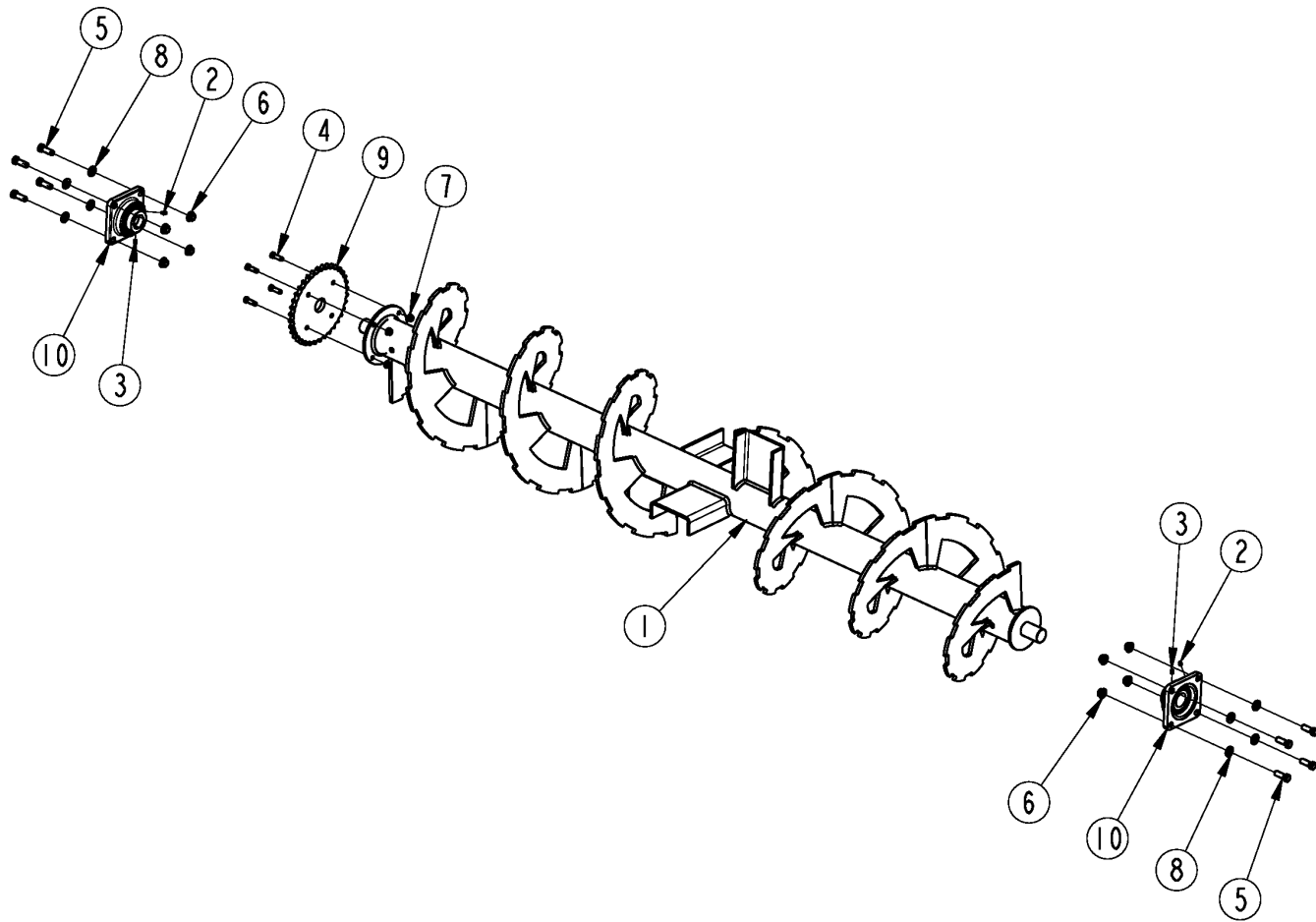
---

**Applies to SBD3596**

<b>Ref</b>	<b>Part No.</b>	<b>Part Description</b>	<b>Comments</b>	<b>Revision</b>
	dwg35730	Drawing Image Number		
1.	370-309H	AUGER WELD SBD3596		
2.	800-001C	GREASE ZERK STRAIGHT 1/4-28		
3.	802-079C	HHCS 3/8-16X1 1/4 GR5		
4.	802-091C	HHCS 1/2-13X1 1/2 GR5		
5.	803-169C	NUT HEX FLG LOCK 1/2-13 PLT		
6.	803-209C	NUT FLANGE LOCK 3/8-16 PLT		
7.	804-016C	WASHER FLAT 1/2 SAE PLT		
8.	808-423C	SPKT 6036X 4 HOLES 1.255 BORE		
9.	822-243C	BRG 4 BOLT CAMLOCK 1.25 BORE		

# Auger Components Dual SBD3596 (S/N 915081+)

Applies to SBD3596



37481

***Auger Components Dual SBD3596 (S/N 915081+)***

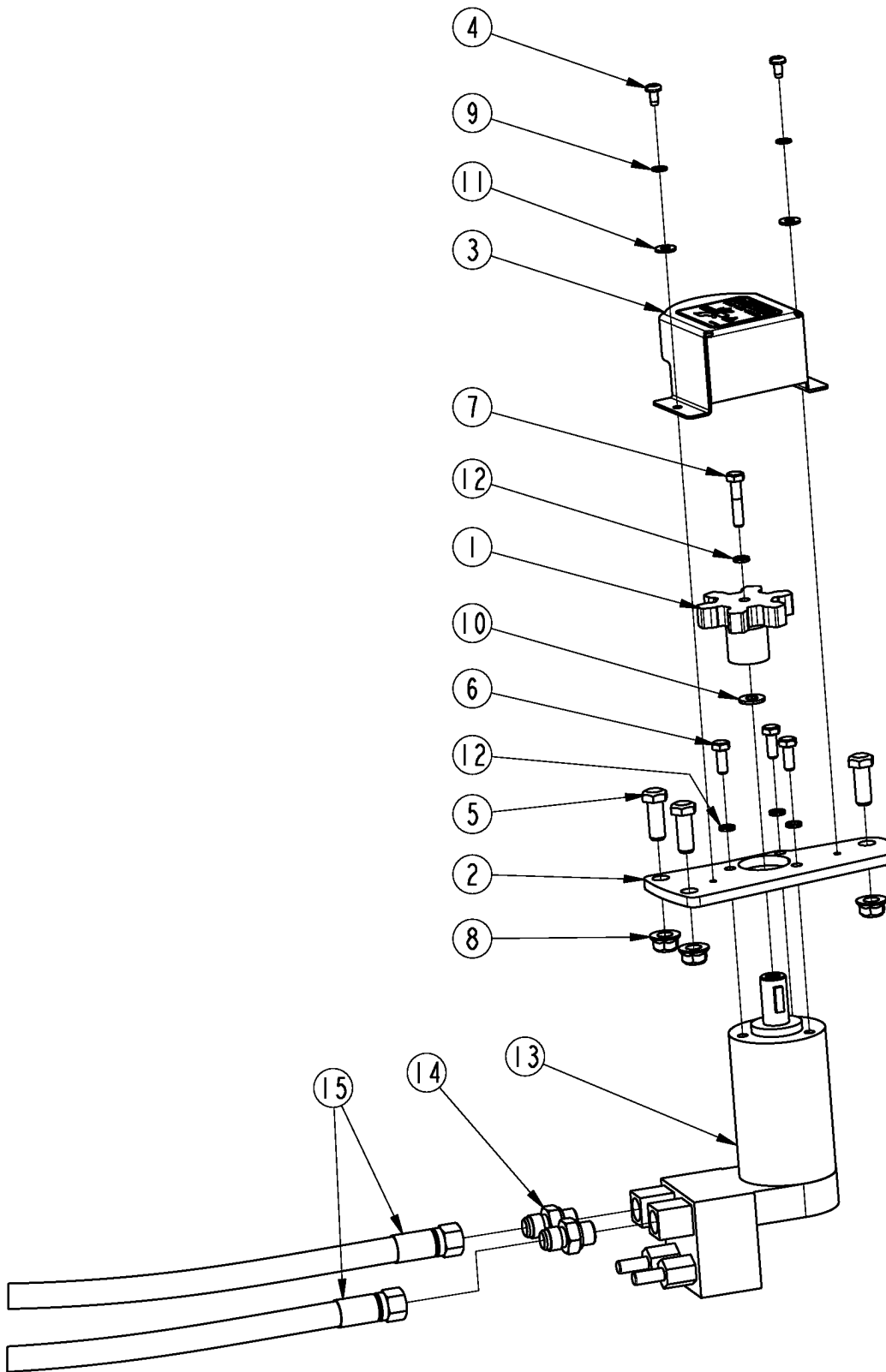
---

**Applies to SBD3596**

<b>Ref</b>	<b>Part No.</b>	<b>Part Description</b>	<b>Comments</b>	<b>Revision</b>
	Dwg 37481	Image No.		
1.	370-461H	AUGER WELD HD SBD3596		
2.	800-001C	GREASE ZERK STRAIGHT 1/4-28		
3.	801-108C	SCREW SET SCKT HD 1/4-20X3/8		
4.	802-079C	HHCS 3/8-16X1 1/4 GR5		
5.	802-091C	HHCS 1/2-13X1 1/2 GR5		
6.	803-169C	NUT HEX FLG LOCK 1/2-13 PLT		
7.	803-209C	NUT FLANGE LOCK 3/8-16 PLT		
8.	804-016C	WASHER FLAT 1/2 SAE PLT		
9.	808-483C	SPKT 6036 4 HOLES 1.505 BORE		
10.	822-004C	BRG FLG 1.50ID 4BLT LOCK		

# Chute Adjustment Hydraulic (S/N 901961+)

Applies to SBD35108, SBD3596



35737

**Chute Adjustment Hydraulic (S/N 901961+)**

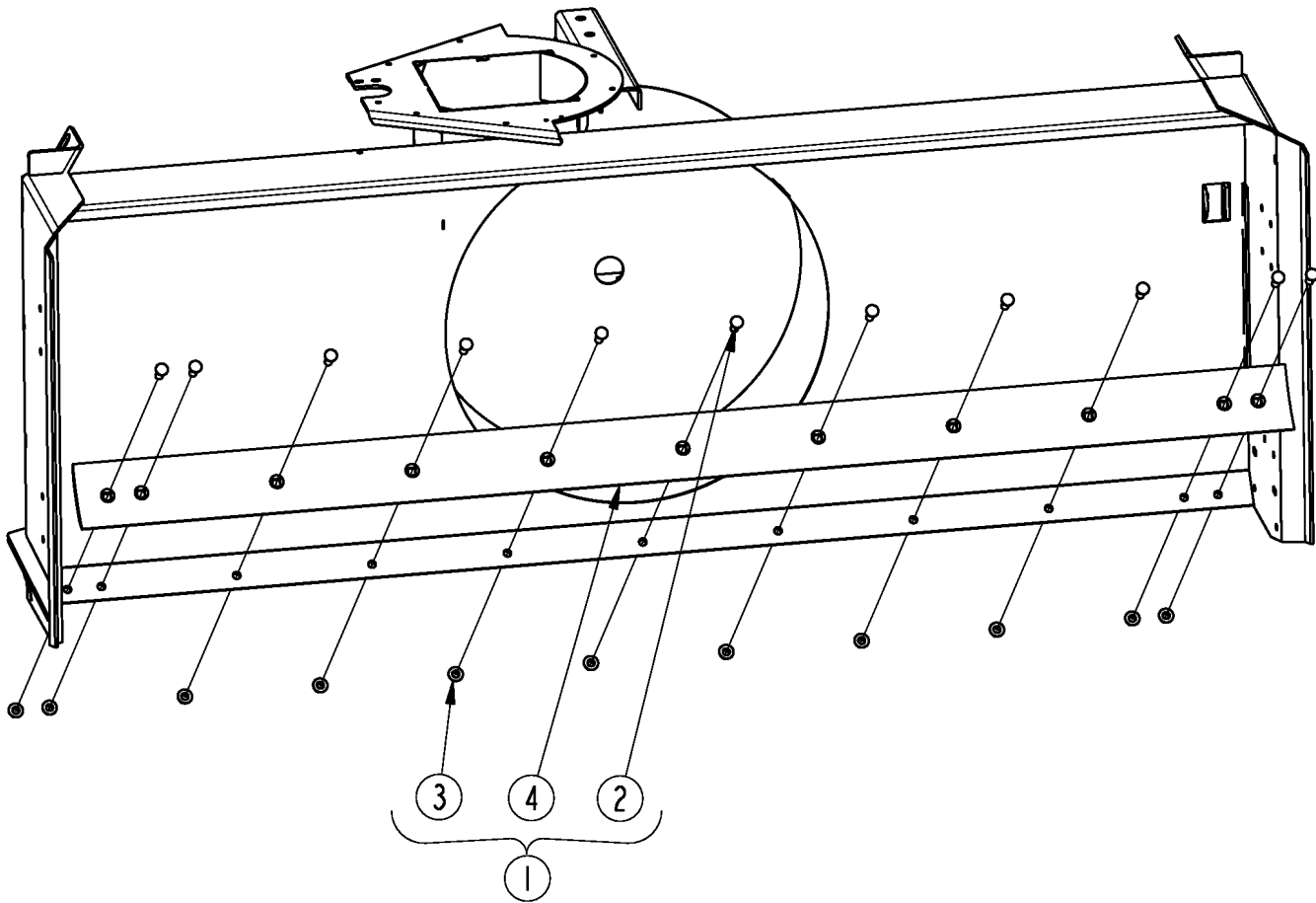
---

**Applies to SBD35108, SBD3596**

<b>Ref</b>	<b>Part No.</b>	<b>Part Description</b>	<b>Comments</b>	<b>Revision</b>
	dwg35737	Drawing Image Number		
	370-468A	CHUTE ROTATION HYD SBD		
	*			
1.	370-392H	ROTATION GEAR		
2.	370-699D	MOTOR MOUNT		
3.	370-705D	GEAR GUARD		
4.	801-171C	SCREW PAN HD 10-24X3/8 TYPE F		
5.	802-017C	HHCS 3/8-16X1 GR5		
6.	802-741C	HHCS M6X1X16 GR8.8 PLT		
7.	802-954C	HHCS M6X1X30 GR8.8		
8.	803-209C	NUT FLANGE LOCK 3/8-16 PLT		
9.	804-004C	WASHER INTERNAL STAR #10 PLT		
10.	804-007C	WASHER FLAT 1/4 SAE PLT		
11.	804-046C	WASHER FLAT #10 SAE PLT		
12.	804-226C	WASHER LOCK M6 PLT		
13.	810-751C	HYD MOTOR W/CROSS RELIEF		
14.	811-170C	AD 9/16MORB 9/16MJIC		
15.	841-774C	HH3/8R2 97.59 3/4MORB9/16FJIC		

# Cutting Edge

Applies to SBD35108, SBD3596



37355



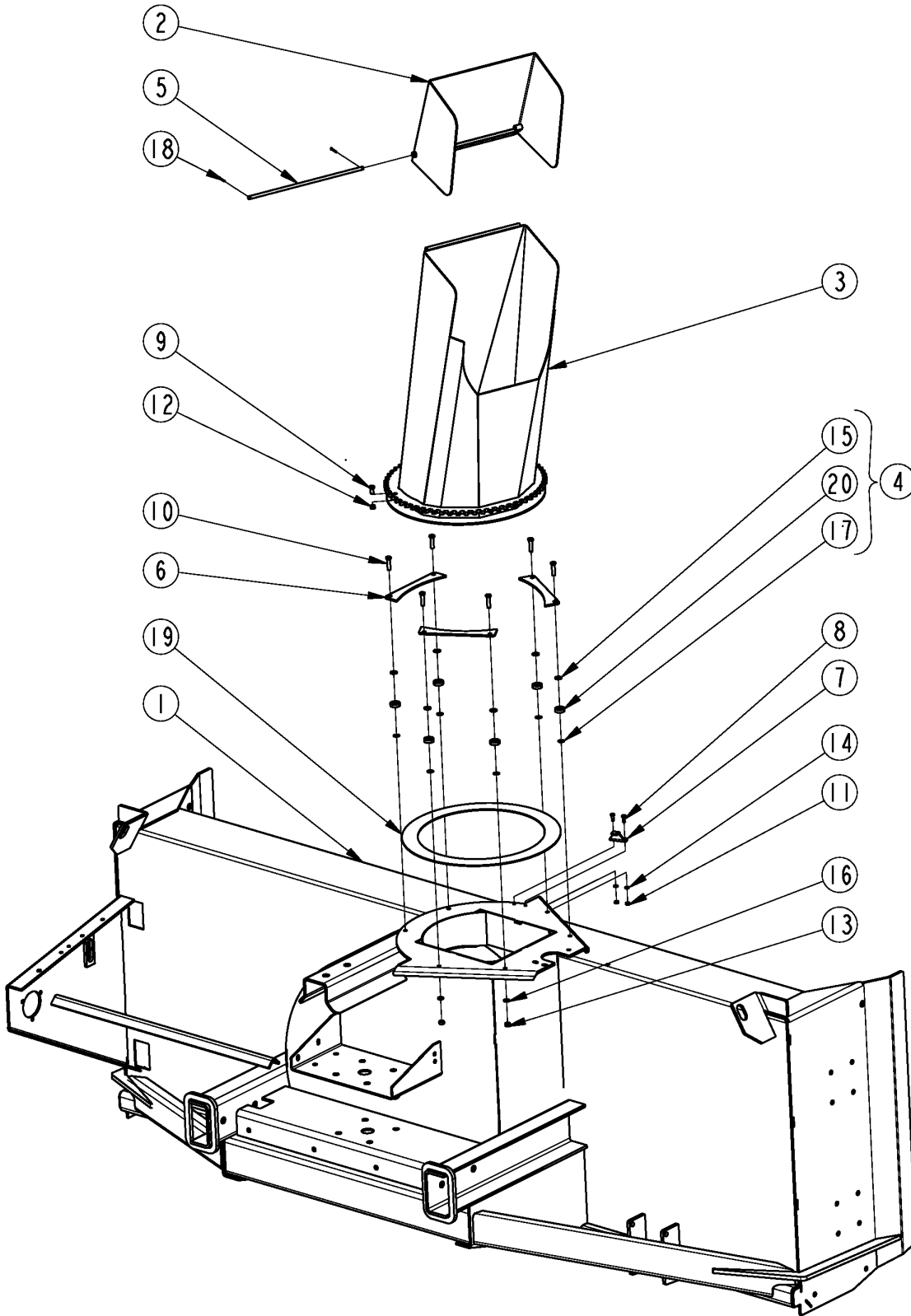
## Cutting Edge

**Applies to SBD35108, SBD3596**

Ref	Part No.	Part Description	Comments	Revision
	dwg37355	Drawing Image Number		
1.	370-273K	CUTTING EDGE BUNDLE SBD35108		
1.	370-286K	CUTTING EDGE BUNDLE SBD3596		
2.	802-206C	PLOW 5/8-11X1 3/4 GR5		
3.	803-263C	NUT HEX FLANGE LOCK 5/8-11 PLT		
4.	820-072C	GRADER BLADE 1/2 X 6 X 107 1/2	SBD35108	
4.	820-035C	GRADER BLADE 1/2 X 6 X 95 1/2	SBD3596	

# Frame & Chute Components SBD35108

Applies to SBD35108



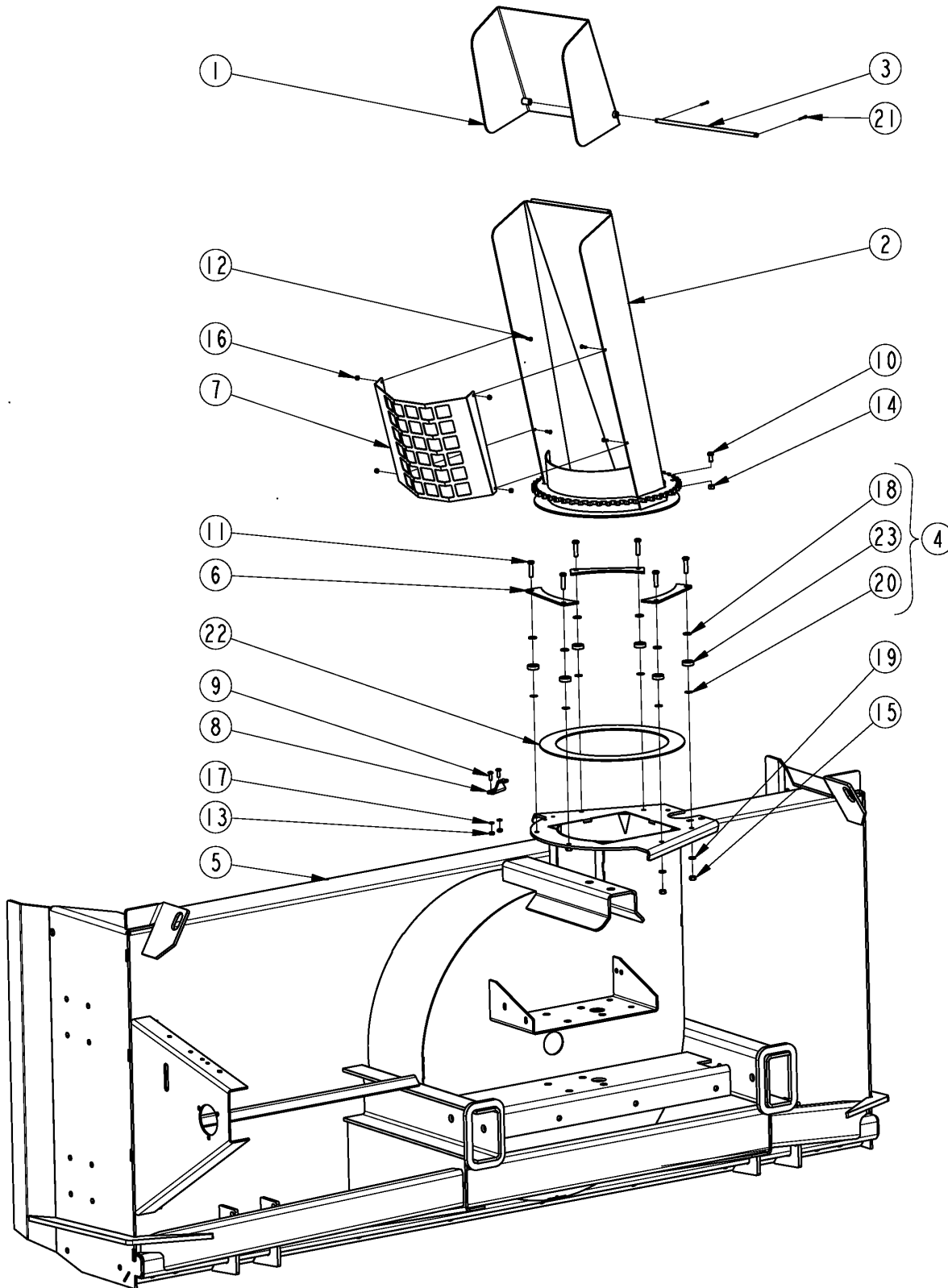
35758

**Frame & Chute Components SBD35108****Applies to SBD35108**

<b>Ref</b>	<b>Part No.</b>	<b>Part Description</b>	<b>Comments</b>	<b>Revision</b>
	dwg35758	Drawing Image Number		
1.	370-297H	FRAME WELDMENT SBD35108		
2.	370-306H	SPOUT SBD35108		
3.	370-307H	CHUTE SBD35108		
4.	370-454S	CHUTE BEARING BUNDLE	S/N 901961+	
5.	370-559D	SPOUT PIVOT PIN SBD35108		
6.	370-575D	BEAR STRAP SBD35108		
7.	370-728D	ROTATION STOP		
8.	802-004C	HHCS 1/4-20X3/4 GR5		
9.	802-014C	HHCS 3/8-16X3/4 GR5		
10.	802-022C	HHCS 3/8-16X1 1/2 GR5		
11.	803-006C	NUT HEX 1/4-20 PLT		
12.	803-013C	NUT LOCK 3/8-16 PLT		
13.	803-014C	NUT HEX 3/8-16 PLT		
14.	804-006C	WASHER LOCK SPRING 1/4 PLT		
15.	804-012C	WASHER FLAT 3/8 SAE PLT	S/N 901961+	
16.	804-013C	WASHER LOCK SPRING 3/8 PLT		
17.	804-239C	WASHER MACH .379IDX.75ODX.015	S/N 901961+	
18.	805-363C	PIN COTTER 1/8 X 1		
19.	817-968C	BEARING RING 14"		
20.	822-253C	BRG, .393 ID X 1.181 OD X .354	S/N 901961+	
20.	817-976C	RPBY 370-454S	S/N 901960-	

# Frame & Chute Components SBD3596

Applies to SBD3596



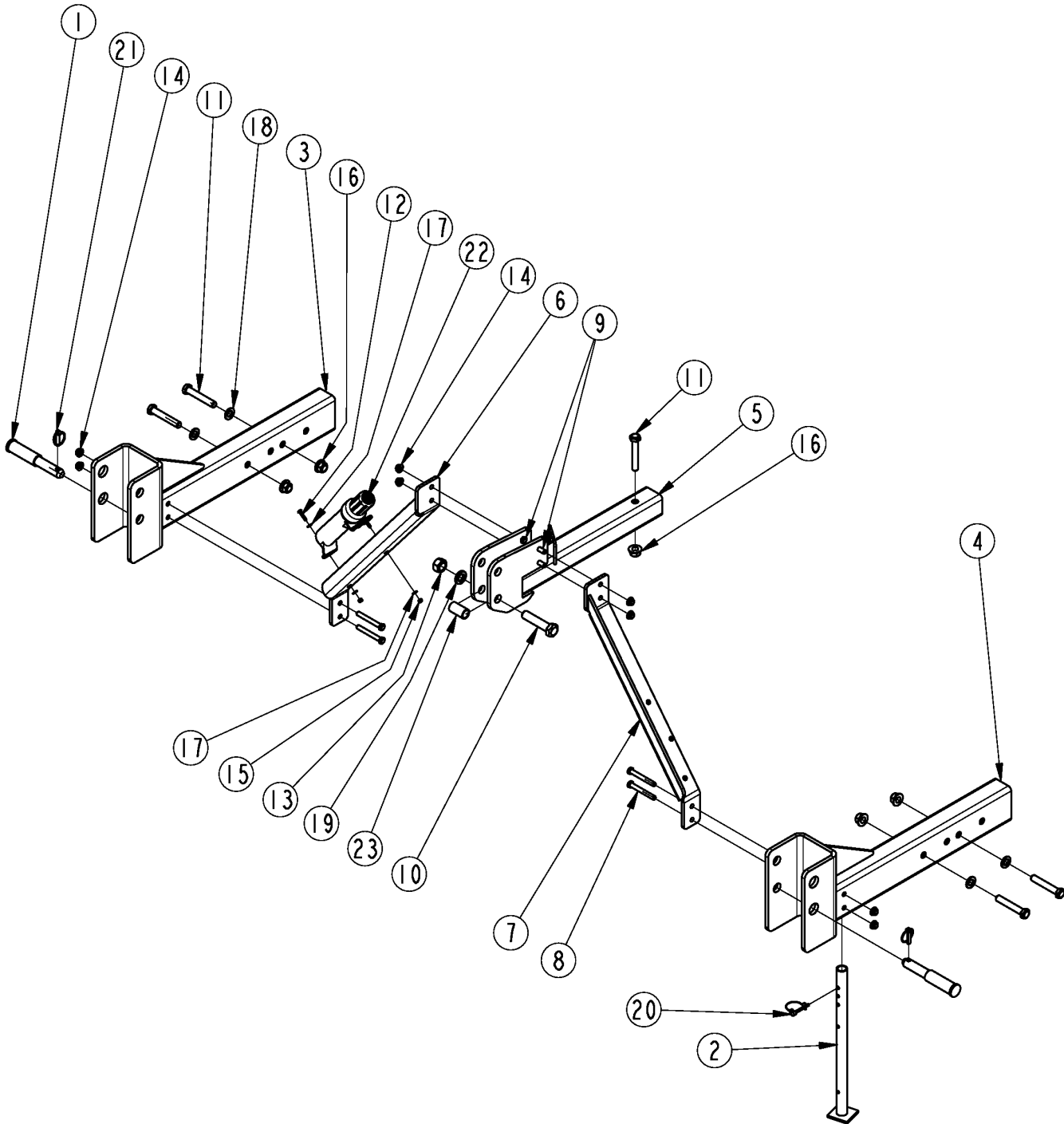
35734

**Frame & Chute Components SBD3596****Applies to SBD3596**

<b>Ref</b>	<b>Part No.</b>	<b>Part Description</b>	<b>Comments</b>	<b>Revision</b>
	dwg35734	Drawing Image Number		
1.	370-081H	SPOUT WELD 25 SERIES		
2.	370-082H	CHUTE WELD 25 SERIES		
3.	370-143D	TILT PIVOT PIN 25 SERIES		
4.	370-454S	CHUTE BEARING BUNDLE	S/N 901961+	
5.	370-481H	FRAME WELDMENT SBD3596	S/N 915081+	
5.	370-355H	FRAME WELDMENT SBD3596	S/N 901961 TO 915080	
6.	370-518D	BEAR STRAP SBD		
7.	370-725D	FRONT CHUTE GUARD 25	S/N 901961+	
8.	370-728D	ROTATION STOP		
9.	802-004C	HHCS 1/4-20X3/4 GR5		
10.	802-014C	HHCS 3/8-16X3/4 GR5		
11.	802-022C	HHCS 3/8-16X1 1/2 GR5		
12.	802-163C	HHCS #10-24X1/2 GR5	S/N 901961+	
13.	803-006C	NUT HEX 1/4-20 PLT		
14.	803-013C	NUT LOCK 3/8-16 PLT		
15.	803-014C	NUT HEX 3/8-16 PLT		
16.	803-268C	NUT HEX NYLOCK 10-24 PLT	S/N 901961+	
17.	804-006C	WASHER LOCK SPRING 1/4 PLT		
18.	804-012C	WASHER FLAT 3/8 SAE PLT	S/N 901961+	
19.	804-013C	WASHER LOCK SPRING 3/8 PLT		
20.	804-239C	WASHER MACH .379IDX.75ODX.015	S/N 901961+	
21.	805-363C	PIN COTTER 1/8 X 1		
22.	817-872C	CHUTE BEARING UHMW 12"		
23.	822-253C	BRG, .393 ID X 1.181 OD X .354	S/N 901961+	
23.	817-976C	RPBY 370-454S	S/N 901960-	

# Hitch Components

Applies to SBD35108, SBD3596



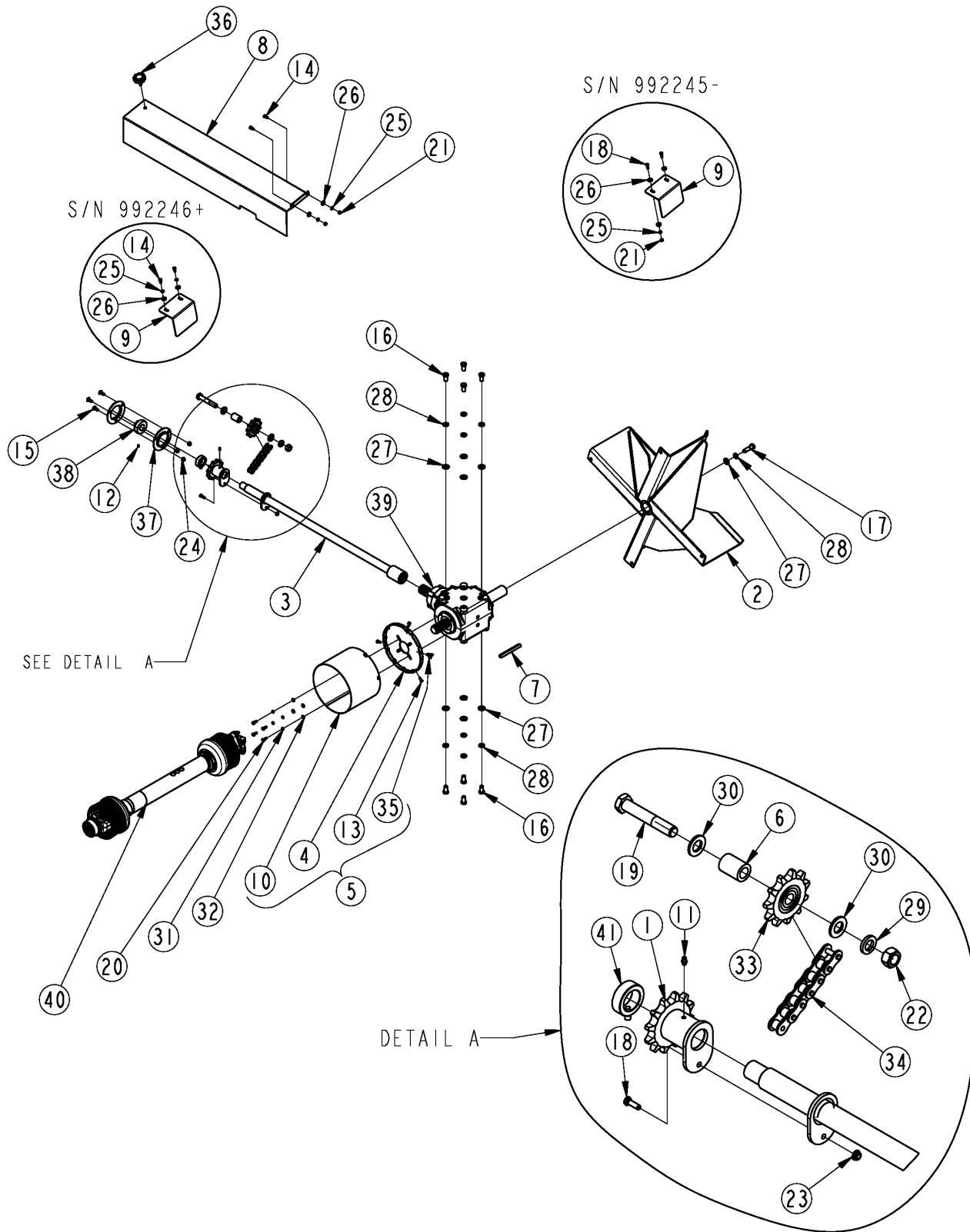
35753

**Hitch Components****Applies to SBD35108, SBD3596**

<b>Ref</b>	<b>Part No.</b>	<b>Part Description</b>	<b>Comments</b>	<b>Revision</b>
	dwg35753	Drawing Image Number		
1.	300-236D	HITCH PIN CAT. II & III		
2.	311-101H	PARKING STAND RTA25/35		
3.	370-282H	LOWER ARM WELD		
4.	370-284H	LOWER ARM WELD LH		
5.	370-285H	TOP LINK WELD		
6.	370-467H	HITCH BRACE SBD		
7.	370-469H	HITCH BRACE LH SBD		
8.	802-044C	HHCS 1/2-13X4 GR5		
9.	802-091C	HHCS 1/2-13X1 1/2 GR5		
10.	802-098C	HHCS 1-8X4 1/2 GR5		
11.	802-192C	HHCS 3/4-10X4 1/2 GR5		
12.	802-224C	HHCS 1/4-20X1 1/4 GR5		
13.	803-031C	NUT HEX 1-8 PLT		
14.	803-169C	NUT HEX FLG LOCK 1/2-13 PLT		
15.	803-255C	NUT HEX NYLOCK 1/4-20		
16.	803-299C	NUT HEX FLG TOP LK 3/4-10 PLT		
17.	804-007C	WASHER FLAT 1/4 SAE PLT		
18.	804-025C	WASHER FLAT 3/4 SAE PLT		
19.	804-027C	WASHER LOCK SPRING 1 PLT		
20.	805-065C	PIN WIRE RETAINING 1/4 X 1 3/4		
21.	805-103C	PIN LINCH 7/16 X 1 3/4		
22.	816-504C	MANUAL STORAGE CONTAINER		
23.	891-293C	BUSHING CAT II-CAT III QUICK		

# Auger & Impeller Drive SBD35108

Applies to SBD35108



35754

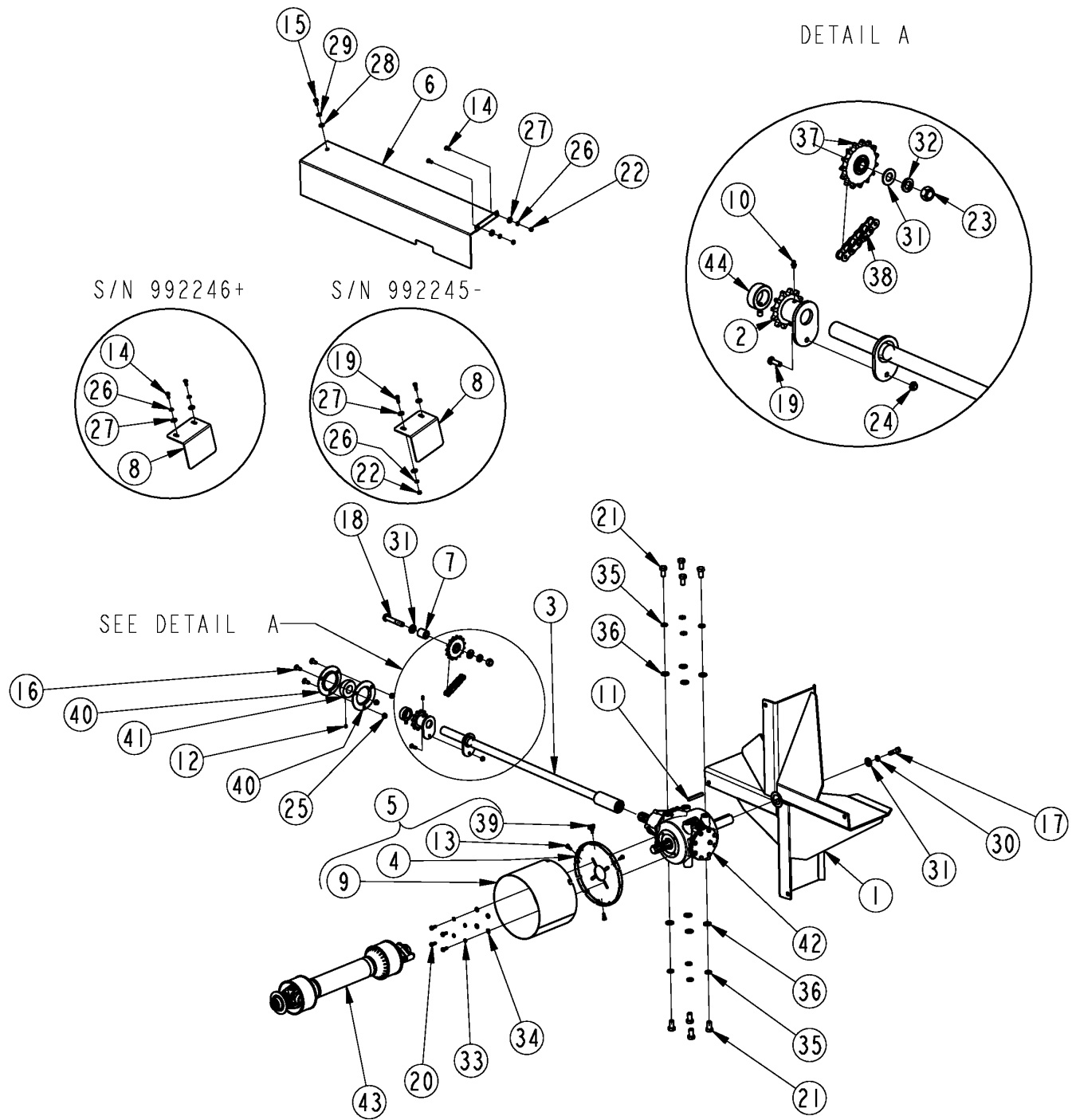


**Auger & Impeller Drive SBD35108****Applies to SBD35108**

<b>Ref</b>	<b>Part No.</b>	<b>Part Description</b>	<b>Comments</b>	<b>Revision</b>
	dwg35754	Drawing Image Number		
1.	370-288H	REAR SHAFT WELD SBD		
2.	370-299H	IMPELLER 34X12		
3.	370-302H	REAR SHAFT WELD SBD35108		
4.	370-470H	PTO BELL BASE		
5.	370-471K	PTO BELL		
6.	370-522D	IDLER BUSHING		
7.	370-523D	KEY 1/2 X 1/2 X 5 1/2		
8.	370-553D	REAR SHAFT GUARD SBD35108		
9.	370-644D	IDLER GUARD		
10.	370-775D	PTO BELL RING		
11.	800-080C	GREASE ZERK 1/4-28 THD FORMING		
12.	801-027C	SCREW SET 5/16-24 SKT KP X 5/16		
13.	801-134C	SCREW SHOULDER 1/4-20 5/16 DIA		
14.	802-007C	HHCS 5/16-18X3/4 GR5		
15.	802-015C	RHSNB 3/8-16X1 GR5		
16.	802-050C	HHCS 5/8-11X1 1/4 GR5		
17.	802-057C	HHCS 5/8-11X2 1/4 GR5		
18.	802-159C	HHCS 5/16-18X1 GR5		
19.	802-192C	HHCS 3/4-10X4 1/2 GR5		
20.	802-314C	HHCS M8X1.25X20 GR8.8		
21.	803-008C	NUT HEX 5/16-18 PLT		
22.	803-027C	NUT HEX 3/4-10 PLT		
23.	803-177C	NUT HEX FLG TP LK 5/16-18ZNYCR		
24.	803-209C	NUT FLANGE LOCK 3/8-16 PLT		
25.	804-009C	WASHER LOCK SPRING 5/16 PLT		
26.	804-010C	WASHER FLAT 5/16 USS PLT		
27.	804-021C	WASHER FLAT 5/8 SAE PLT		
28.	804-022C	WASHER LOCK SPRING 5/8 PLT		
29.	804-023C	WASHER LOCK SPRING 3/4 PLT		
30.	804-025C	WASHER FLAT 3/4 SAE PLT		
31.	804-157C	WASHER SPRING LOCK M8 PLT		
32.	804-161C	WASHER FLAT M8 PLT		
33.	808-317C	SPKT 8OSER11T WITH BRG		
34.	809-237C	CHAIN RL #80X102 W/CON		
35.	817-192C	KNOB 3 PRONG 1/4-20 X 1/2 LG		
36.	817-358C	KNOB 3/8-16 MALE THD 2 3/8OD		
37.	822-218C	FLANGETTE 72MM 3-BOLT PLT		
38.	822-250C	BRG, 1.25 ID X 2.8346 X 1.26		
39.	826-749C	GEARBOX T 1:1 1 3/4-20		
40.	826-751C	DRIVELINE W2500 X		
41.	891-503C	SHAFT STOP COLLAR 1 1/2 ID		

# Auger & Impeller Drive SBD3596

Applies to SBD3596



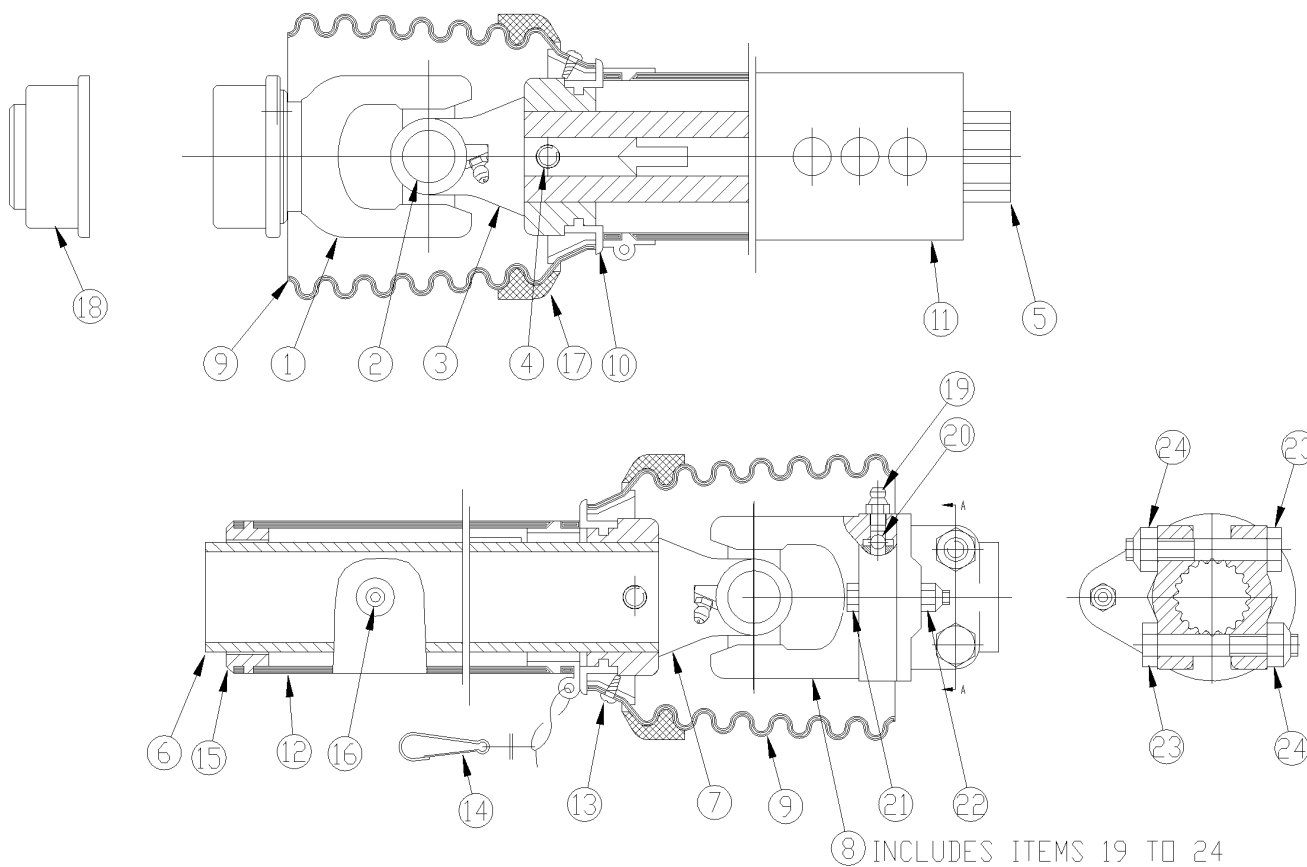
35735

**Auger & Impeller Drive SBD3596****Applies to SBD3596**

Ref	Part No.	Part Description	Comments	Revision
	Dwg 35735	Drawing Image Number		
1.	370-276H	IMPELLER WELD SBD		
2.	370-313H	REAR SHAFT SHEAR WELD SBD3596		
3.	370-323H	HORIZONTAL SHAFT SBD3596		
4.	370-470H	PTO BELL BASE		
5.	370-471K	PTO BELL	S/N 901961+	
6.	370-521D	REAR SHAFT GUARD		
7.	370-567D	IDLER SPACER SBD3596		
8.	370-644D	IDLER GUARD		
9.	370-775D	PTO BELL RING		
10.	800-080C	GREASE ZERK 1/4-28 THD FORMING		
11.	800-402C	KEY 3/8 X 3/8 X 3		
12.	801-027C	SCREW SET 5/16-24 SKT KP X 5/16		
13.	801-134C	SCREW SHOULDER 1/4-20 5/16 DIA		
14.	802-007C	HHCS 5/16-18X3/4 GR5		
15.	802-014C	HHCS 3/8-16X3/4 GR5		
16.	802-015C	RHSNB 3/8-16X1 GR5		
17.	802-082C	HHCS 1/2-13X1 3/4 GR5		
18.	802-153C	HHCS 5/8-11X3 3/4 GR5		
19.	802-159C	HHCS 5/16-18X1 GR5		
20.	802-314C	HHCS M8X1.25X20 GR8.8		
21.	802-981C	HHCS M16X2X30 GR8.8		
22.	803-008C	NUT HEX 5/16-18 PLT		
23.	803-021C	NUT HEX 5/8-11 PLT		
24.	803-177C	NUT HEX FLG TP LK 5/16-18ZNYCR		
25.	803-209C	NUT FLANGE LOCK 3/8-16 PLT		
26.	804-009C	WASHER LOCK SPRING 5/16 PLT		
27.	804-010C	WASHER FLAT 5/16 USS PLT		
28.	804-012C	WASHER FLAT 3/8 SAE PLT		
29.	804-013C	WASHER LOCK SPRING 3/8 PLT		
30.	804-015C	WASHER LOCK SPRING 1/2 PLT		
31.	804-021C	WASHER FLAT 5/8 SAE PLT		
32.	804-022C	WASHER LOCK SPRING 5/8 PLT		
33.	804-157C	WASHER SPRING LOCK M8 PLT		
34.	804-161C	WASHER FLAT M8 PLT		
35.	804-187C	WASHER SPRING LOCK M16 PLT		
36.	804-247C	WASHER FLAT M16 PLT		
37.	808-400C	60C15 IDLER SPROCKET W/BEARING		
38.	809-238C	CHAIN RL #60 - 118 PITCH W/CON		
39.	817-192C	KNOB 3 PRONG 1/4-20 X 1/2 LG		
40.	822-218C	FLANGETTE 72MM 3-BOLT PLT		
41.	822-250C	BRG, 1.25 ID X 2.8346 X 1.26		
42.	826-754C	GEARBOX T 1-1 1 3/8-6		
43.	826-755C	DRIVELINE 540 2100NM SHEAR		
44.	891-504C	SHAFT STOP COLLAR 1 1/4 ID	S/N 901961+	

# Driveline (826-751C)

Applies to SBD35108

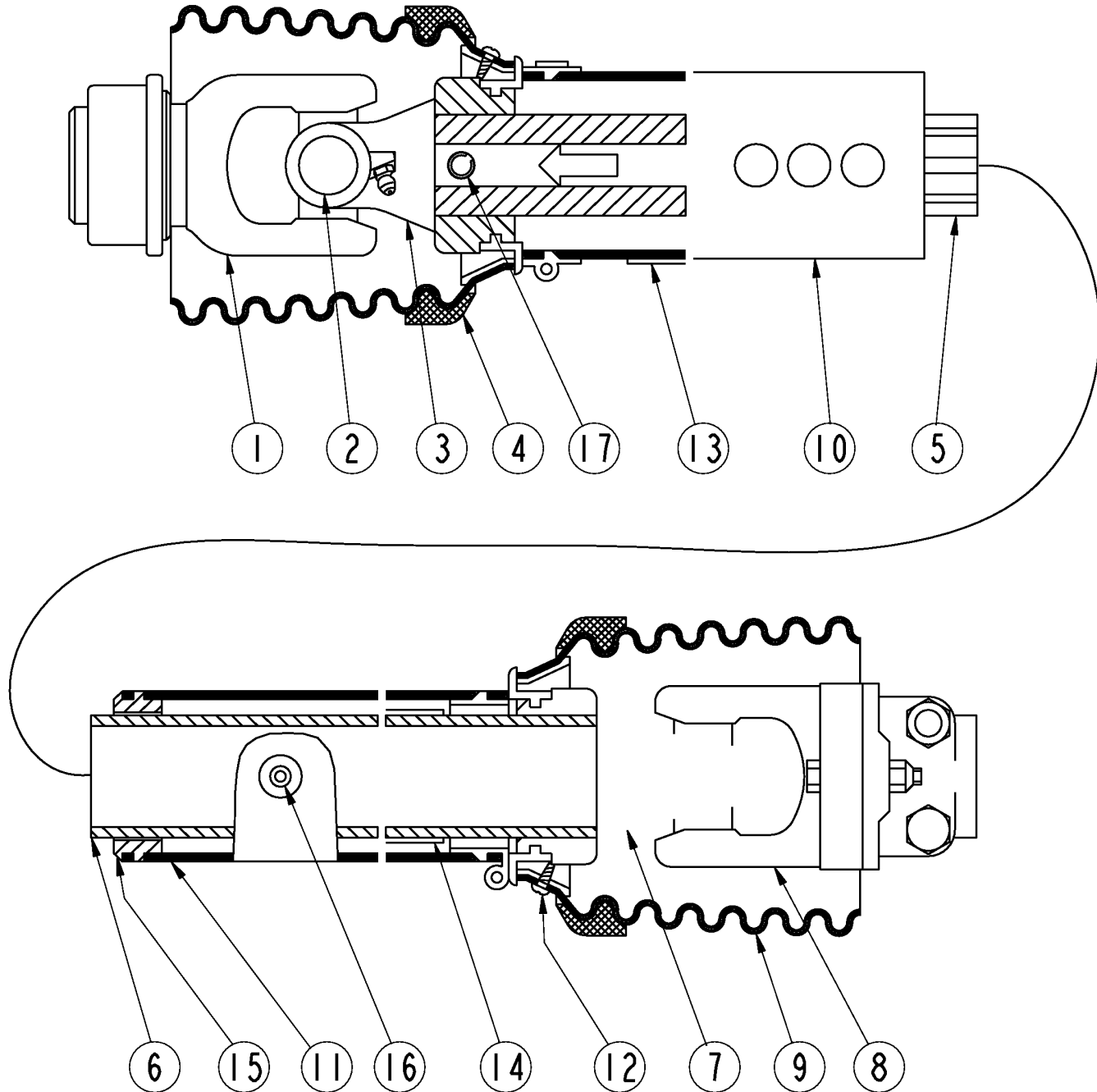


**Driveline (826-751C)****Applies to SBD35108**

Ref	Part No.	Part Description	Comments	Revision
	dwg35755 826-751C	Drawing Image Number DRIVELINE W2500 *		
1.	362428	WS YOKE 1 3/8"-6 SPL. ASG		
2.	312209	WS CROSS & BRG KIT 2500		
3.	097133	WS INBOARD YOKE S4		
4.	304046	WS SPRING PIN 10 X 90		
5.	331296	WS INNER PROFILE S4		
6.	380857	WS OUTER PROFILE-S5L		
7.	097140	WS INBOARD YOKE S5		
8.	387505	WS SHEARBOLT CLUTCH	INCLUDES ITEMS 19 TO 24	
9.	377437	WS SHIELD CONE 7 RIB		
10.	087276	WS BRG RING - SC25		
11.	370890	WS GUARD TUBE OUTER		
12.	370708	WS GUARD TUBE INNER		
13.	365305	WS SCREW		
14.	044321	DRIVELINE SHIELD SAFETY CHAIN	S/N 928934-	
15.	396295	WS SUPPORT BEARING		
16.	380371	WS ZERK		
17.	359474	WS REINFORCING COLLAR		
18.	364915	WS ASSY COLLAR KIT		
19.	304123	WS GREASE ZERK		
20.	099601	WS BALL		
21.	802-611C	HHCS M10X1.5X60 GR8.8		
22.	803-280C	NUT HEX NYLOCK M10X1.5 PLT		
23.	702351	WS BOLT M16 X 80-8.8		
24.	304011	WS LOCK NUT M16		

**Driveline (826-752C)**

Applies to SBD35108



70747

**Driveline (826-752C)**

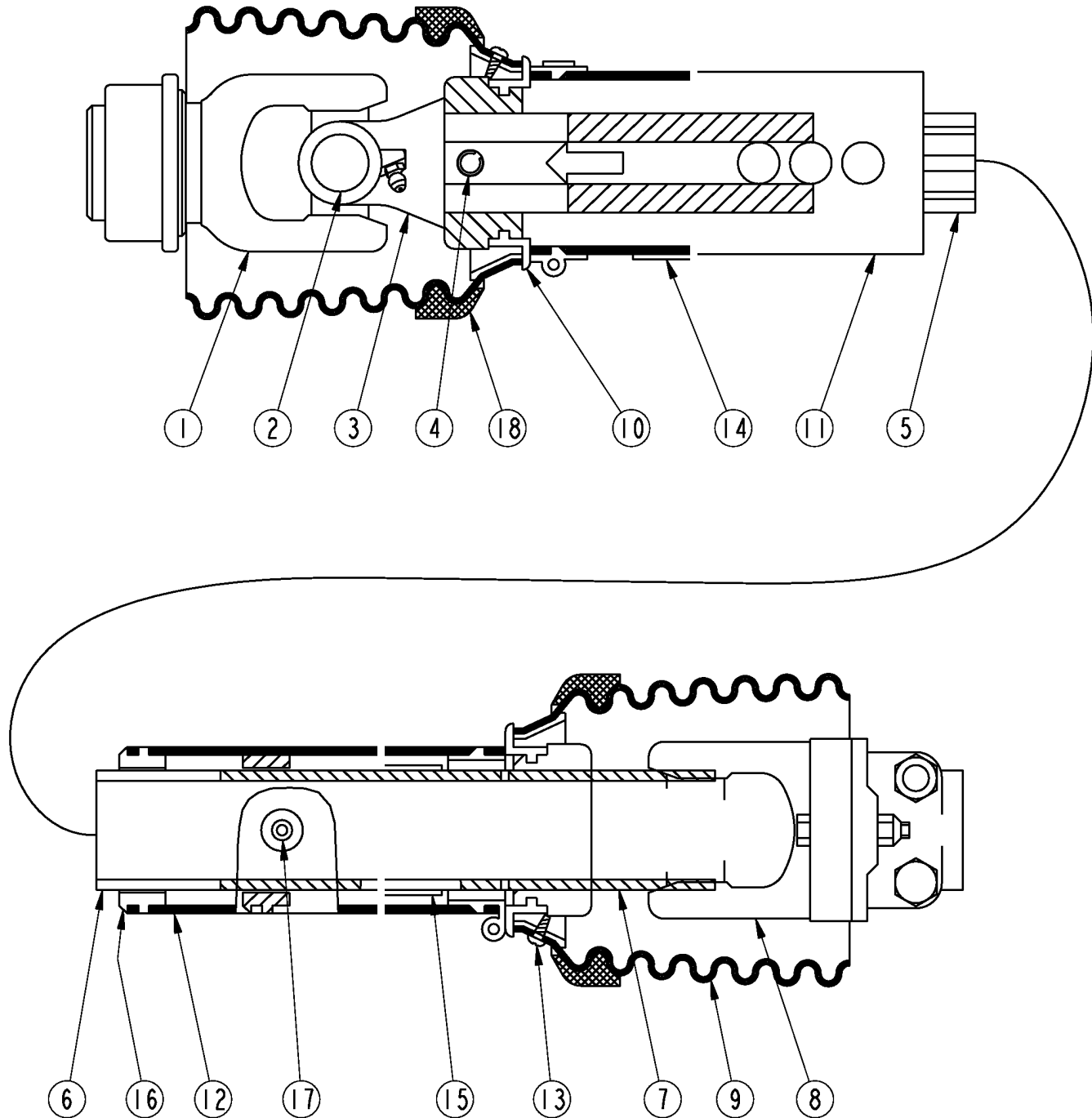
---

**Applies to SBD35108**

<b>Ref</b>	<b>Part No.</b>	<b>Part Description</b>	<b>Comments</b>	<b>Revision</b>
	Dwg 70747 826-752C	Image No. DRVLN C5 32 1.38-21 QD SHRBOLT *		
1.	362430	WS YOKE 1 3/8-21 SPL. AS		
2.	312209	WS CROSS & BRG KIT 2500		
3.	097133	WS INBOARD YOKE S4		
4.	304046	WS SPRING PIN 10 X 90		
5.	331296	WS INNER PROFILE S4		
6.	380857	WS OUTER PROFILE-S5L		
7.	097140	WS INBOARD YOKE S5		
8.	387505	WS SHEARBOLT CLUTCH		
9.	377437	WS SHIELD CONE 7 RIB		
10.	370890	WS GUARD TUBE OUTER		
11.	371684	WS GUARD TUBE INNER		
12.	365305	WS SCREW		
13.	383333	RPBY 818-552C		
14.	383334	RPBY 818-540C		
15.	396295	WS SUPPORT BEARING		
16.	380371	WS ZERK		
17.	359474	WS REINFORCING COLLAR		

**Driveline (826-753C)**

Applies to SBD35108



70748



**Driveline (826-753C)**

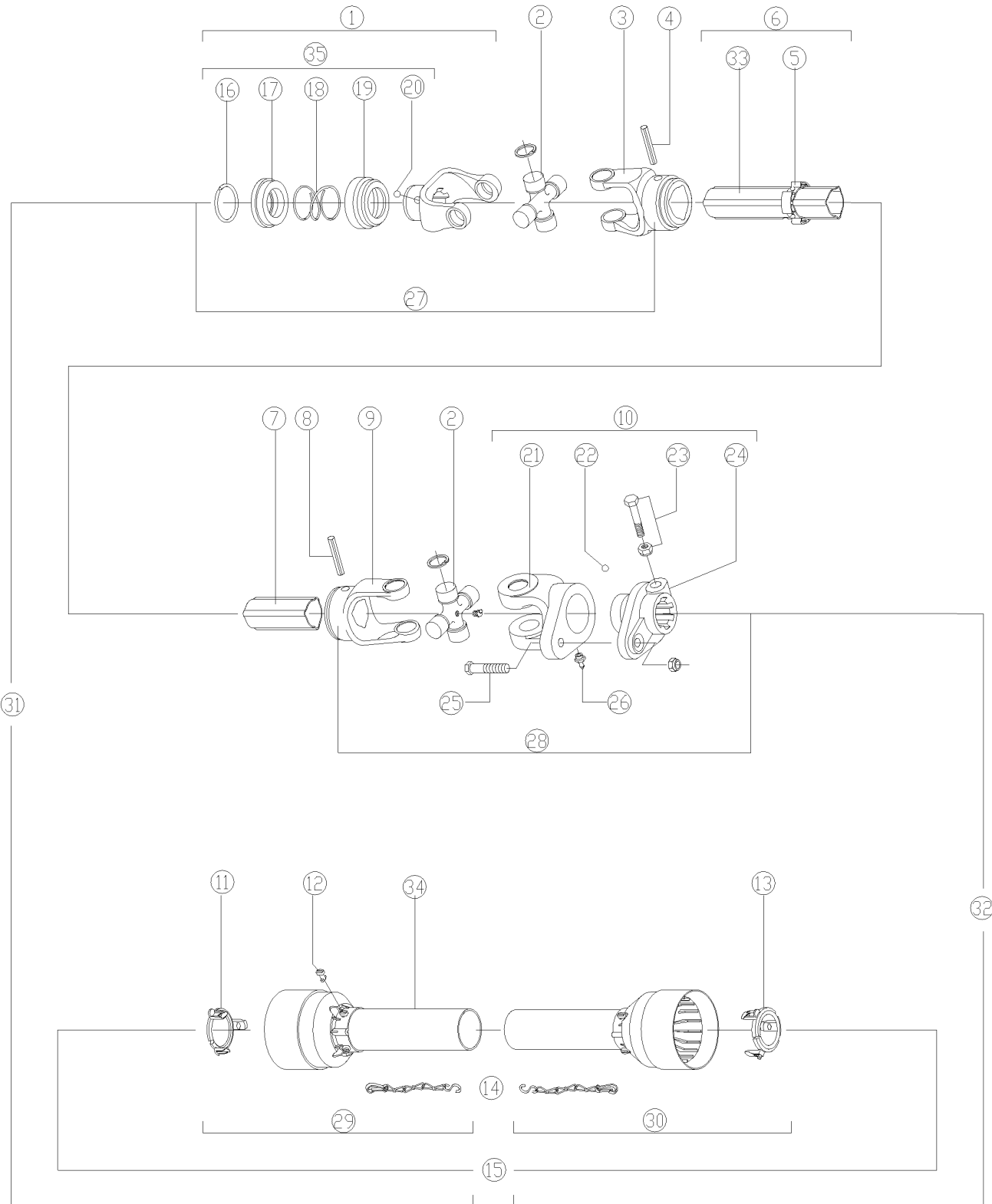
---

**Applies to SBD35108**

<b>Ref</b>	<b>Part No.</b>	<b>Part Description</b>	<b>Comments</b>	<b>Revision</b>
	Dwg 70748 826-753C	Image No. DRVLN C5 32 1.75-20 QD SHRBOLT *		
1.	362434	WS YOKE 1 3/4-20		
2.	312209	WS CROSS & BRG KIT 2500		
3.	097133	WS INBOARD YOKE S4		
4.	304046	WS SPRING PIN 10 X 90		
5.	331296	WS INNER PROFILE S4		
6.	380857	WS OUTER PROFILE-S5L		
7.	097140	WS INBOARD YOKE S5		
8.	387505	WS SHEARBOLT CLUTCH		
9.	377437	WS SHIELD CONE 7 RIB		
10.	087276	WS BRG RING - SC25		
11.	370890	WS GUARD TUBE OUTER		
12.	371684	WS GUARD TUBE INNER		
13.	365305	WS SCREW		
14.	383333	RPBY 818-552C		
15.	383334	RPBY 818-540C		
16.	396295	WS SUPPORT BEARING		
17.	380371	WS ZERK		
18.	359474	WS REINFORCING COLLAR		

# Driveline (826-755C)

Applies to SBD3596



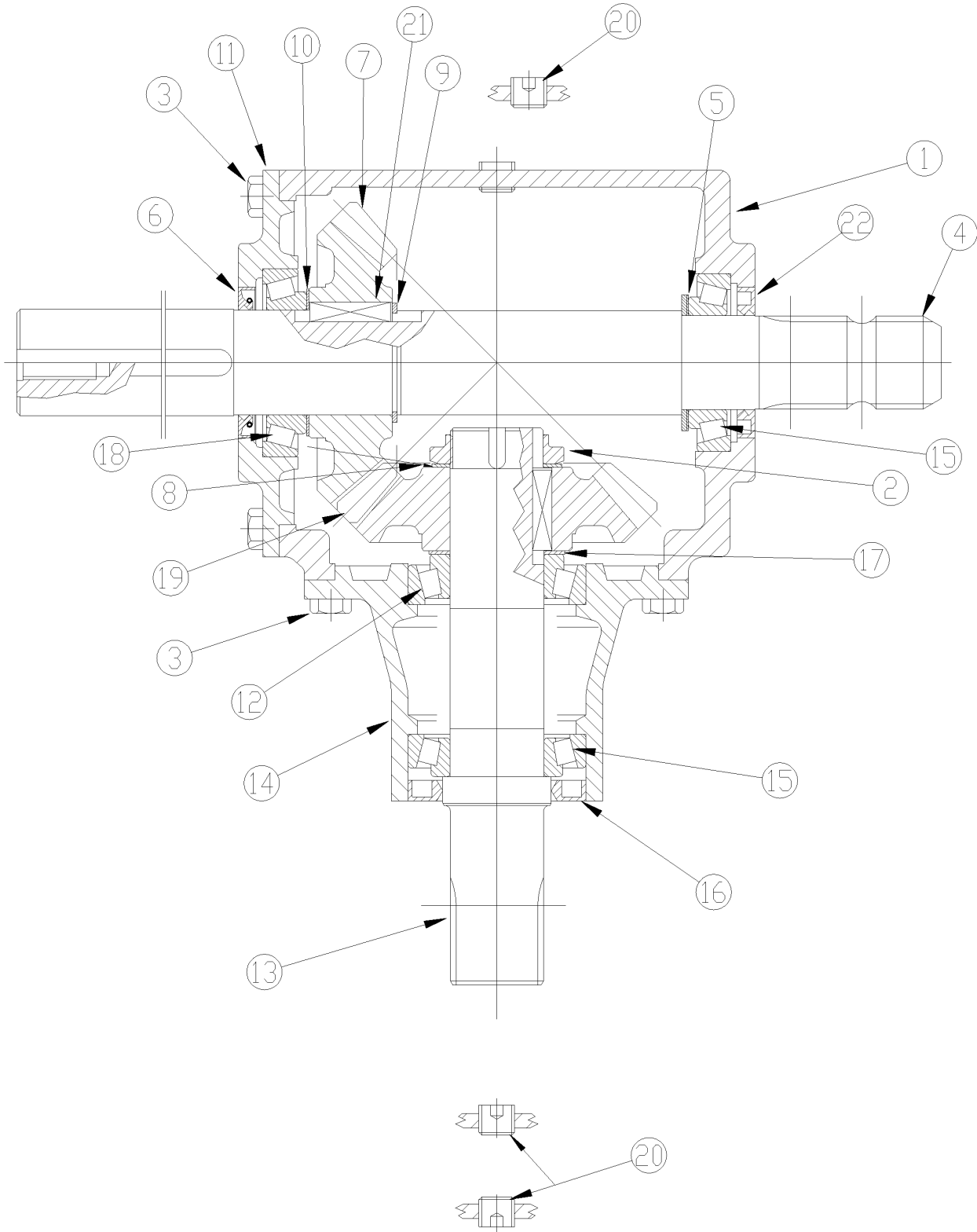
35741

**Driveline (826-755C)****Applies to SBD3596**

Ref	Part No.	Part Description	Comments	Revision
	dwg35741	Drawing Image Number		
	826-755C	DRIVELINE 540 2100NM SHEAR *		
1.	141.026.544.1	CO COMPLETE COLLAR YOKE C12		
2.	180.016.130	COMER CROSS ASSEMBLY		
3.	151.016.028.1	CO OUTER YOKE		
4.	190.000.018	CO ROLL PIN OUTER TUBE		
5.	180.016.316	CO BUSH WITH GREASE FITTING		
6.	152.170.2700710	CO COMPLETE OUTER TUBE	S/N 901961+	
6.	152.170.2630710	CO COMPLETE OUTER TUBE	S/N 901960-	
7.	153.160.798	CO INNER TUBE	S/N 901961+	
7.	153.160.174	CO INNER TUBE	S/N 901960-	
8.	190.000.016	COMER ROLL PIN, INNER TUBE		
9.	151.016.029.1	CO INNER YOKE		
10.	143.260.005.1	CO SHEAR BOLT B32 (55XM10) Z6	S/N 901961+	
10.	143.260.060.1	CO SHEAR BOLT B32 (46XM10) Z6	S/N 901960-	
11.	180.016.237	CO GRD RETAIN CLLR FOR OTR TB		
12.	180.014.240	COMER BOLT		
13.	180.016.238	CO GRD RETAIN CLLR FOR INR TB		
14.	180.016.636	CO SAFETY CHAINS	S/N 928934-	
15.	142.260.4997621	CO COMPLETE GUARD W/MANUAL		
16.	190.000.451	COMER OUTER CIRCLIP		
17.	151.016.486	COMER SLIDING SLEEVE COLLER		
18.	180.016.487	COMER SPRING		
19.	180.016.483	COMER FIXED SLEEVE		
20.	190.000.078	COMER BALL 1/2"		
21.	151.016.042.1	CO YOKE FOR HUB B02 (55XM10)	S/N 901961+	
21.	151.016.258.1	CO YOKE FOR HUB B02 (46XM10)	S/N 901960-	
22.	190.000.023	CO BALL DIA 5/16"		
23.	165.000.525	CO BALL & NUT M12X70 C1.8.8		
24.	151.016.243.1	CO HUB B02 (55XM10)	S/N 901961+	
24.	151.016.868.1	CO HUB B32 (46XM10) 1-3/8 Z6	S/N 901960-	
25.	165.000.507	CO BOLT M10X60 CL 8.8 AND NUT	S/N 901961+	
25.	165.000.511	CO BOLT M10X55 C1.8.8 AND NUT	S/N 901960-	
26.	190.000.021	CO GREASE FITING M10X1		
27.	121.026.899.11	CO U JOINT FOR OUTER TUBE		
28.	121.026.406.11	CO U-JOINT FOR INNER TUBE	S/N 901961+	
28.	121.026.1296.11	CO U JOINT FOR INNER TUBE	S/N 901960-	
29.	142.266.1867621	CO HALF FEMALE GUARD	S/N 901961+	
29.	142.266.2757621	CO HALF FEMALE GUARD	S/N 901960-	
30.	142.261.2927621	CO HALF MALE GUARD	S/N 901961+	
30.	142.261.2797621	CO HALF MALE GUARD	S/N 901960-	
31.	123.360.318.11	CO HALF FEMALE SHFT W/GUARD	S/N 901961+	
31.	123.360.468.11	COMER HALF FEMALE SHFT W/GUARD	S/N 901960-	
32.	123.460.1063.11	CO HALF MALE SHAFT W/GUARDING	S/N 901961+	
32.	142.261.2797621	CO HALF MALE GUARD	S/N 901960-	
33.	190.000.098	COMER DANGER LABEL OUTER TUBE		
34.	190.000.099	COMER DANGER LABEL GUARD OUTER		
35.	165.000.628	COMER COLLER KIT 3/8 YOKE		

# Gearbox (826-749C)

Applies to SBD35108



35756

**Gearbox (826-749C)**

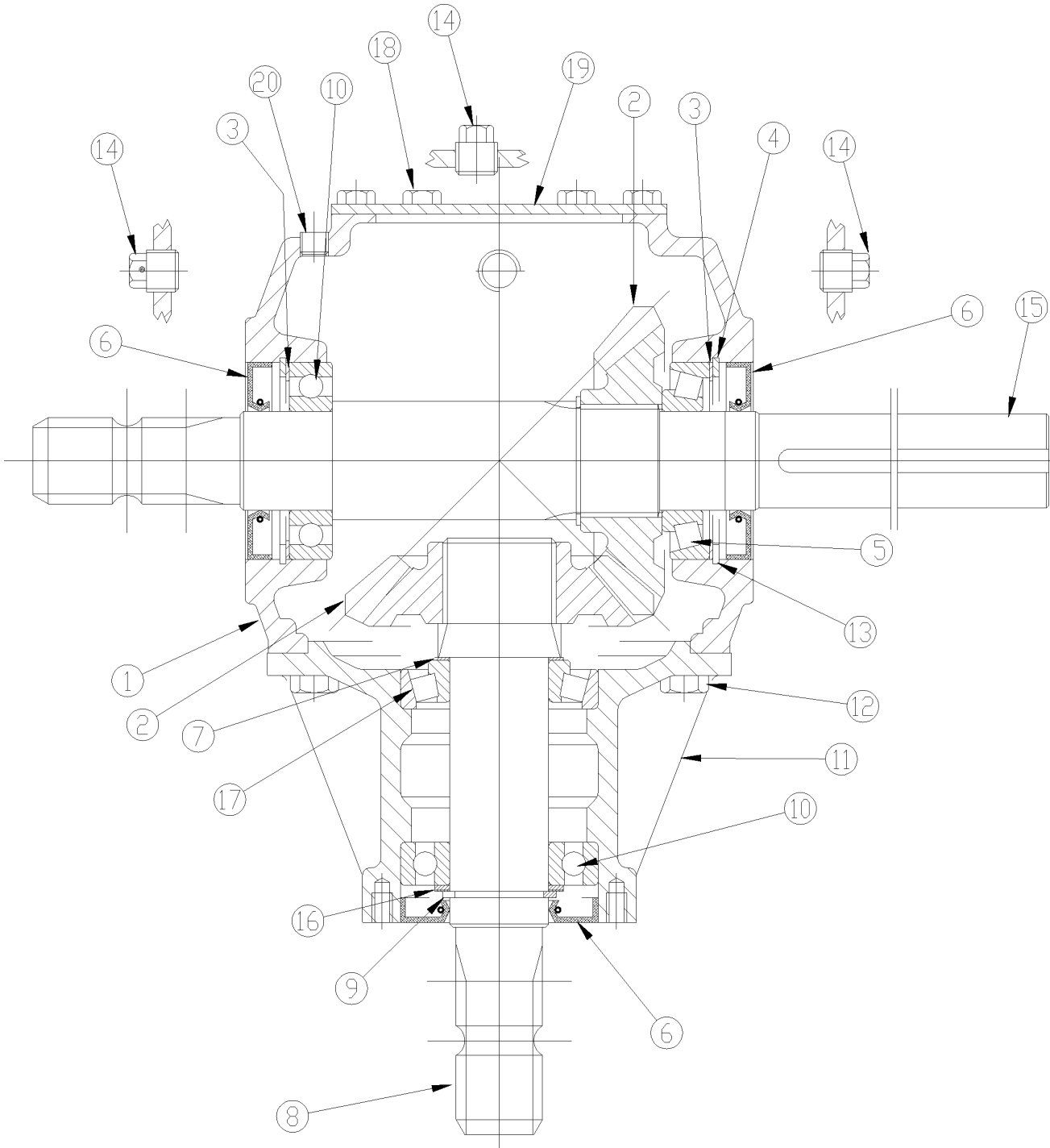
---

**Applies to SBD35108**

<b>Ref</b>	<b>Part No.</b>	<b>Part Description</b>	<b>Comments</b>	<b>Revision</b>
	Dwg 35756 826-749C	Drawing Image Number GEARBOX T 1:1 1 3/4-20 *		
1.	0.279.0307.00	CO CASTING & MACHINING		
2.	0.278.7104.00	CO NUT LOCK M45 X 1.5		
3.	8.1.1.00501	CO BOLT M10X22 HHB		
4.	0.279.4214.00	CO THROUGH SHAFT		
5.	0.252.7525.00	CO SHIM 45.3X2.5		
6.	8.7.1.02684	CO DUST LIP (50X72X08)		
7.	0.279.6000.00	CO GEAR CROWN Z21 M7.14		
8.	0.252.7510.00	CO SHIM (45.3X65.3X1)		
9.	8.5.1.01084	CO SNAP RING (50X47X3)		
10.	A.712.500	COMER SHIM KIT		
11.	0.279.1310.00	CO COVER		
12.	8.0.9.00125	CO BRG 32209		
13.	0.279.2011.00	CO SHAFT 1" 3/4 Z20		
14.	0.279.1301.00	CO EXTENSION AC		
15.	8.0.9.00143	CO BRG 30209 TAPERED		
16.	8.7.3.01096	CO OIL SEAL 52 X 85 X 10		
17.	A252.500	CO SHIM 65.3MM RTA25		
18.	822-214C	BRG CUP/CONE SET 30210		
19.	0.279.5000.00	CO GEAR Z21 H 7.14		
20.	8.6.6.00201	CO PLUG 3/8 GAS (SOLID PLUG)		
21.	0.279.7115.00	CO KEY TYPE "B" 14X9X38.5 H&T		
22.	8.7.1.00981	CO DUST LIP 45 X 72 X 8		

# Gearbox (826-754C)

Applies to SBD3596



35736

**Gearbox (826-754C)**

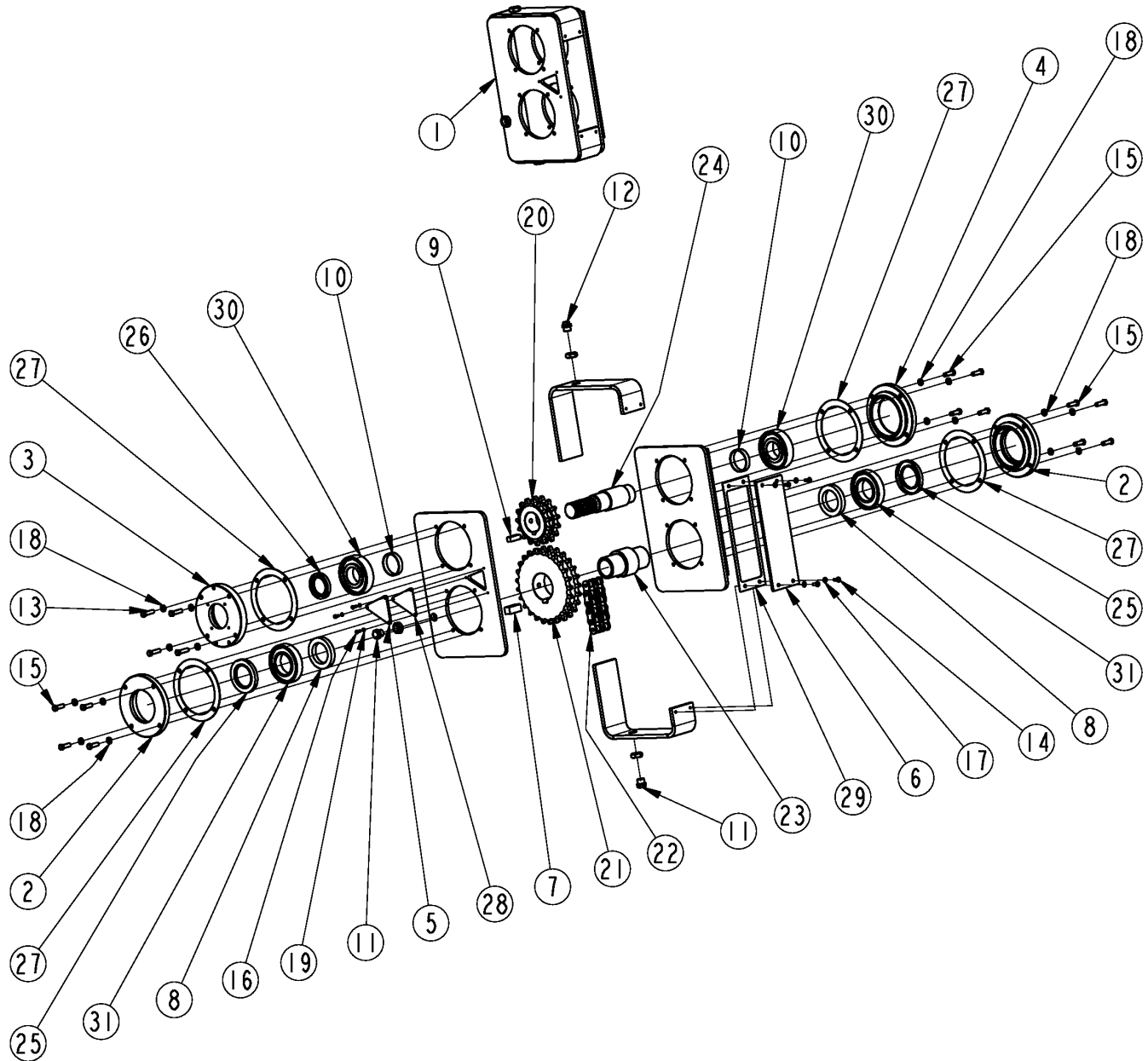
---

**Applies to SBD3596**

<b>Ref</b>	<b>Part No.</b>	<b>Part Description</b>	<b>Comments</b>	<b>Revision</b>
	dwg35736	Drawing Image Number		
	826-754C	GEARBOX T 1-1 1 3/8-6 *		
1.	0.278.0303.00	CO CASING		
2.	0.278.5023.00	CO GEAR Z20 M6		
3.	A110.500	COMER SHIM 79.7 RTA35		
4.	8.5.2.00030	CO SNAP RING 80 UNI 7437		
5.	822-191C	BRG ROLLER 1.57IDX3.14OD SET		
6.	8.7.3.00027	CO OIL SEAL 40 X 80 X 10		
7.	A244.501	CO SHIM KIT 40.3 51.5		
8.	0.278.2000.00	CO SHAFT 13/8 Z6		
9.	8.5.1.00680	CO SNAP RING 40 UNI 7436		
10.	822-188C	BRG BALL 6208		
11.	0.278.1300.00	CO EXTENSION		
12.	8.1.1.00061	CO BOLT M10X25 8.8		
13.	8.5.1.00260	CO SNAP RING 46 UNI7435		
14.	8.6.5.00006	CO OIL PLUG 3/8		
15.	0.278.4230.00	CO SHAFT 1 3/8 Z6		
16.	0.244.7520.00	CO SHIM 40.3 X 2.0		
17.	8.0.9.01060	CO BEARING 30208		
18.	8.1.1.00202	CO BOLT M8X16 4,8		
19.	0.248.1330.00	CO COVER		
20.	8.6.6.00271	CO PLUG 1/4 GAS		

# 1000 RPM Chain Reduction Components (S/N 901961+)

Applies to SBD35108



37362

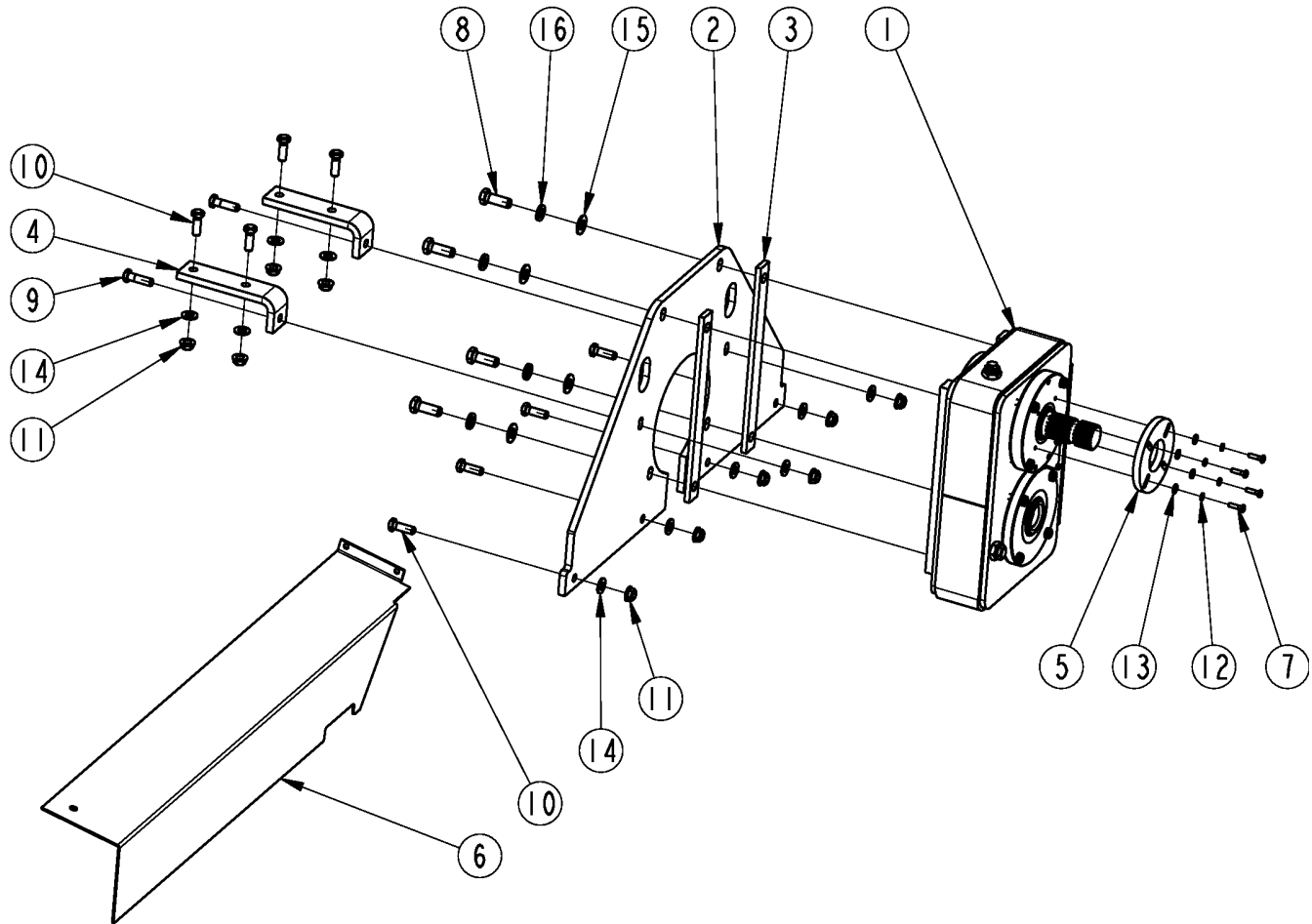


**1000 RPM Chain Reduction Components (S/N 901961+)****Applies to SBD35108**

<b>Ref</b>	<b>Part No.</b>	<b>Part Description</b>	<b>Comments</b>	<b>Revision</b>
	Dwg 37362	Image No.		
	370-366K	CHAIN REDUCTION 1.67 1 3/4-20		
1.	370-365H	REDUCTION CASE WELD		
2.	370-647D	BEARING CAP LOWER		
3.	370-648D	BEARING CAP TOP FRT		
4.	370-649D	BEARING CAP TOP RR		
5.	370-650D	COVER ACCESS		
6.	370-657D	CASE COVER		
7.	370-659D	KEY, LOWER		
8.	370-660D	SPACER, LOWER		
9.	370-661D	KEY, UPPER		
10.	370-662D	SPACER, UPPER		
11.	800-066C	DRAIN PLUG 3/4-16 UNF PLATED		
12.	800-306C	FILL PLUG VENTED 3/4-16 PLT		
13.	802-022C	HHCS 3/8-16X1 1/2 GR5		
14.	802-078C	HHCS 1/4-20X5/8 GR5		
15.	802-079C	HHCS 3/8-16X1 1/4 GR5		
16.	802-163C	HHCS #10-24X1/2 GR5		
17.	804-006C	WASHER LOCK SPRING 1/4 PLT		
18.	804-013C	WASHER LOCK SPRING 3/8 PLT		
19.	804-054C	WASHER LOCK #10		
20.	808-455C	SPKT 80H-2 15T HUBLESS		
21.	808-456C	SPKT 80H-2 25T HUBLESS		
22.	809-306C	CHAIN RL #80H-2 35 PIT ENDLESS		
23.	815-452C	SPLINED SLEEVE 1 3/4-20		
24.	815-453C	SPLINED SHAFT 1 3/4-20		
25.	816-252C	SEAL DOUBLE LIP 60X95X10		
26.	816-785C	SEAL DOUBLE LIP 50X72X10		
27.	816-786C	GASKET, BEARING		
28.	816-787C	GASKET, ACCESS		
29.	816-788C	GASKET, COVER		
30.	822-093C	BRG 1.96IDX4.33ODX1.06 310		
31.	822-288C	BRG 60 ID X 110 OD		

# 1000 RPM Chain Reduction Mount Components (S/N 901961+)

Applies to SBD35108



37363

**1000 RPM Chain Reduction Mount Components (S/N 901961+)**

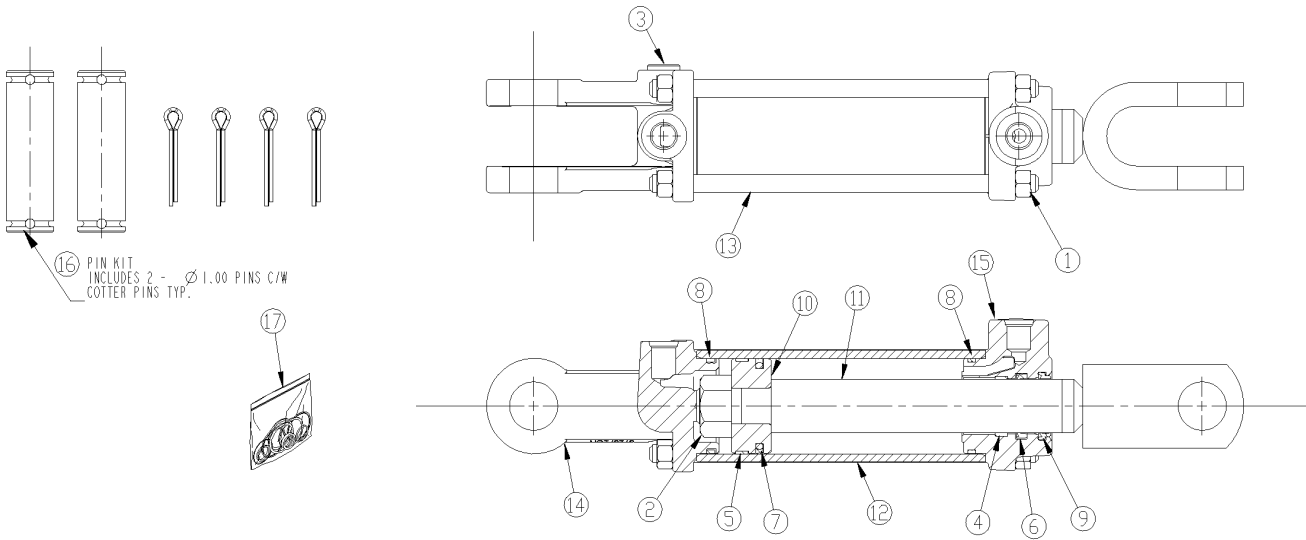
---

**Applies to SBD35108**

<b>Ref</b>	<b>Part No.</b>	<b>Part Description</b>	<b>Comments</b>	<b>Revision</b>
	Dwg 37363	Image No.		
	370-364A	CHAIN REDUCTION 1.67 1 3/4-20		
1.	370-366K	CHAIN REDUCTION 1.67 1 3/4-20		
2.	370-653D	CASE REDUCTION MOUNT		
3.	370-654D	CASE REDUCTION BAR		
4.	370-655D	CASE TOP MOUNT		
5.	370-778D	BELL SPACER		
6.	370-783D	HORZ. GUARD 1000 RPM		
7.	802-005C	HHCS 1/4-20X1 GR5		
8.	802-053C	HHCS 5/8-11X1 3/4 GR5		
9.	802-082C	HHCS 1/2-13X1 3/4 GR5		
10.	802-091C	HHCS 1/2-13X1 1/2 GR5		
11.	803-169C	NUT HEX FLG LOCK 1/2-13 PLT		
12.	804-006C	WASHER LOCK SPRING 1/4 PLT		
13.	804-007C	WASHER FLAT 1/4 SAE PLT		
14.	804-016C	WASHER FLAT 1/2 SAE PLT		
15.	804-021C	WASHER FLAT 5/8 SAE PLT		
16.	804-022C	WASHER LOCK SPRING 5/8 PLT		

# Hydraulic Cylinder Double Acting (810-125C) Lion

Applies to SBD35108, SBD3596

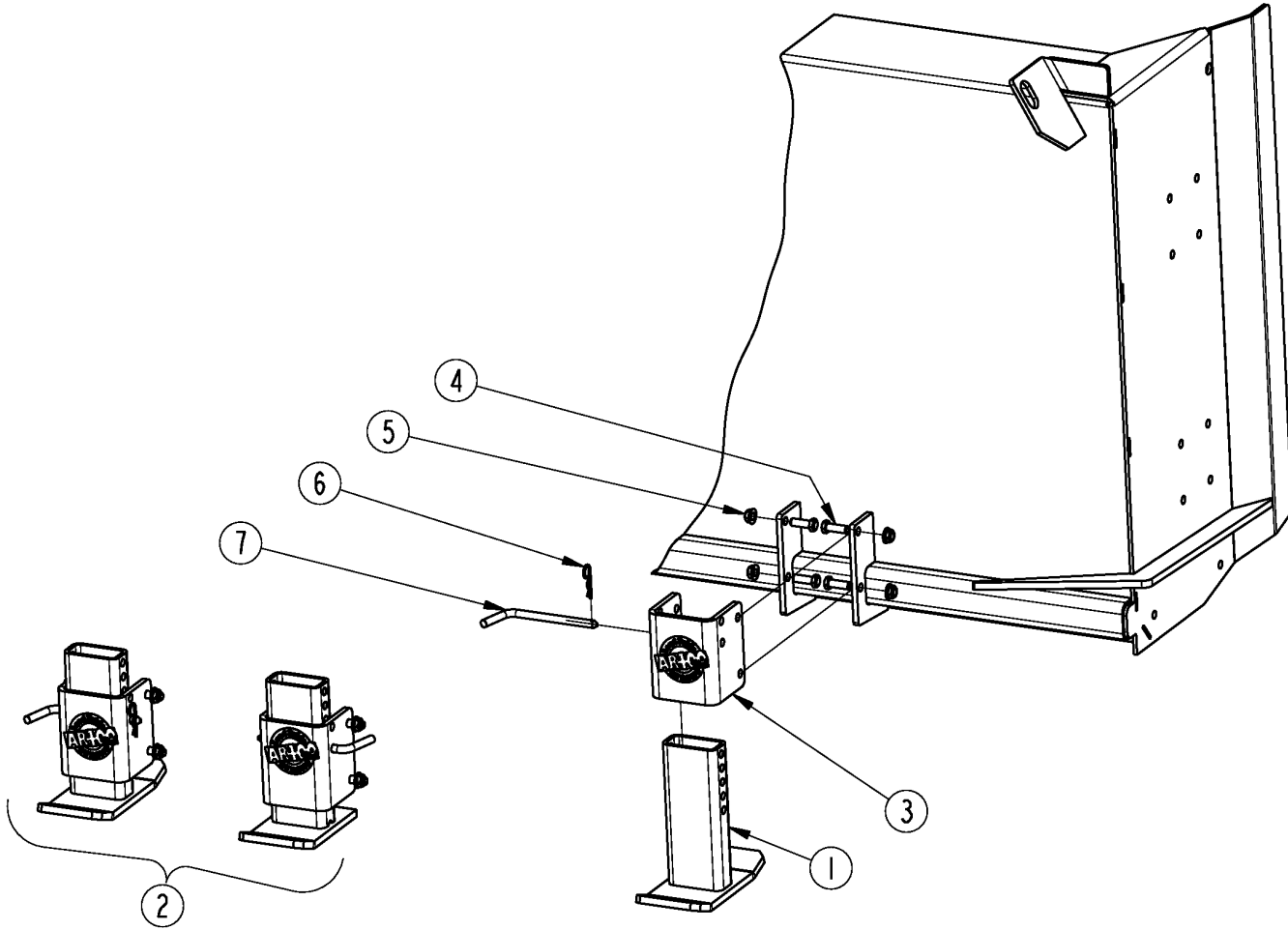


***Hydraulic Cylinder Double Acting (810-125C) Lion*****Applies to SBD35108, SBD3596**

<b>Ref</b>	<b>Part No.</b>	<b>Part Description</b>	<b>Comments</b>	<b>Revision</b>
	dwg13565	Drawing Image Number		
	810-125C	CYL 2X4X1.12 ROD DBL ACTING *		
1.	803-014C	NUT HEX 3/8-16 PLT		
2.	130556	MON PISTON NUT		
3.	186561	PLUG 9/16-18UNF MORB SOCKET HD		
4.	N/A	MON WEAR RING 1.25-1.13-0.250	In Seal Kit Item #17	
5.	N/A	MON WEAR RING 2.00-1.88-0.260	In Seal Kit Item #17	
6.	N/A	MON SEAL ZURCON U-CUP RU9 1.13	In Seal Kit Item #17	
7.	N/A	MON SEAL ZURCON WYNSEAL 2.00	In Seal Kit Item #17	
8.	N/A	MON SEAL DUAL 2.00-.170	In Seal Kit Item #17	
9.	N/A	MON SEAL WIPER 1.13 WNUC TSS	In Seal Kit Item #17	
10.	258851	MON PISTON 2.00-.75-TSS-ISO-WR		
11.	437208	LION ROD WLDMT 1 1/8X4 STROKE		
12.	491604	LION CYL. TUBE 2 X 4		
13.	492214	MON TIE ROD 3/8-04		
14.	492669	MON CLEVS CAP 2.00-9/16ORB-1.0		
15.	494382	MON ROD CAP 2.0-1.12-9/16ORB-TS		
16.	235005	MON PIN KIT 1.00C/W COTTER PIN		
17.	810-883C	MON SEAL KIT 620271		

**Inner Skid Shoes (S/N 901961+)**

Applies to SBD35108, SBD3596



37353

**Inner Skid Shoes (S/N 901961+)**

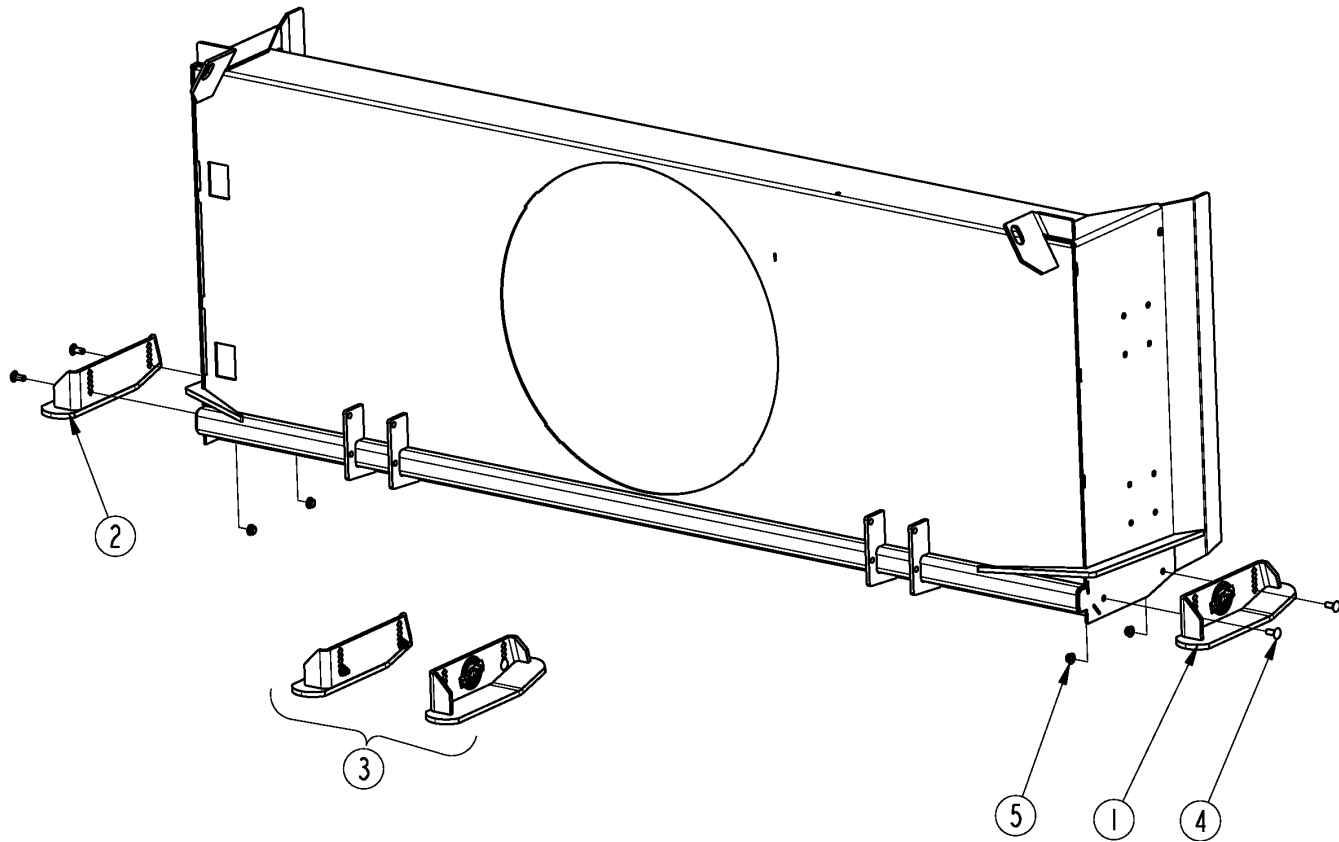
---

**Applies to SBD35108, SBD3596**

<b>Ref</b>	<b>Part No.</b>	<b>Part Description</b>	<b>Comments</b>	<b>Revision</b>
	dwg37353	Drawing Image Number		
1.	370-439H	INNER SKID SHOE		
2.	370-440K	SKID SHOE BUNDLE		
3.	370-441H	SKID SHOE MOUNT		
4.	802-091C	HHCS 1/2-13X1 1/2 GR5		
5.	803-169C	NUT HEX FLG LOCK 1/2-13 PLT		
6.	805-143C	PIN HAIR COTTER .120 PLT		
7.	805-271C	PIN BENT .50X5.50 USBL		

# Outer Skid Shoes (S/N 901961+)

Applies to SBD35108, SBD3596



37354



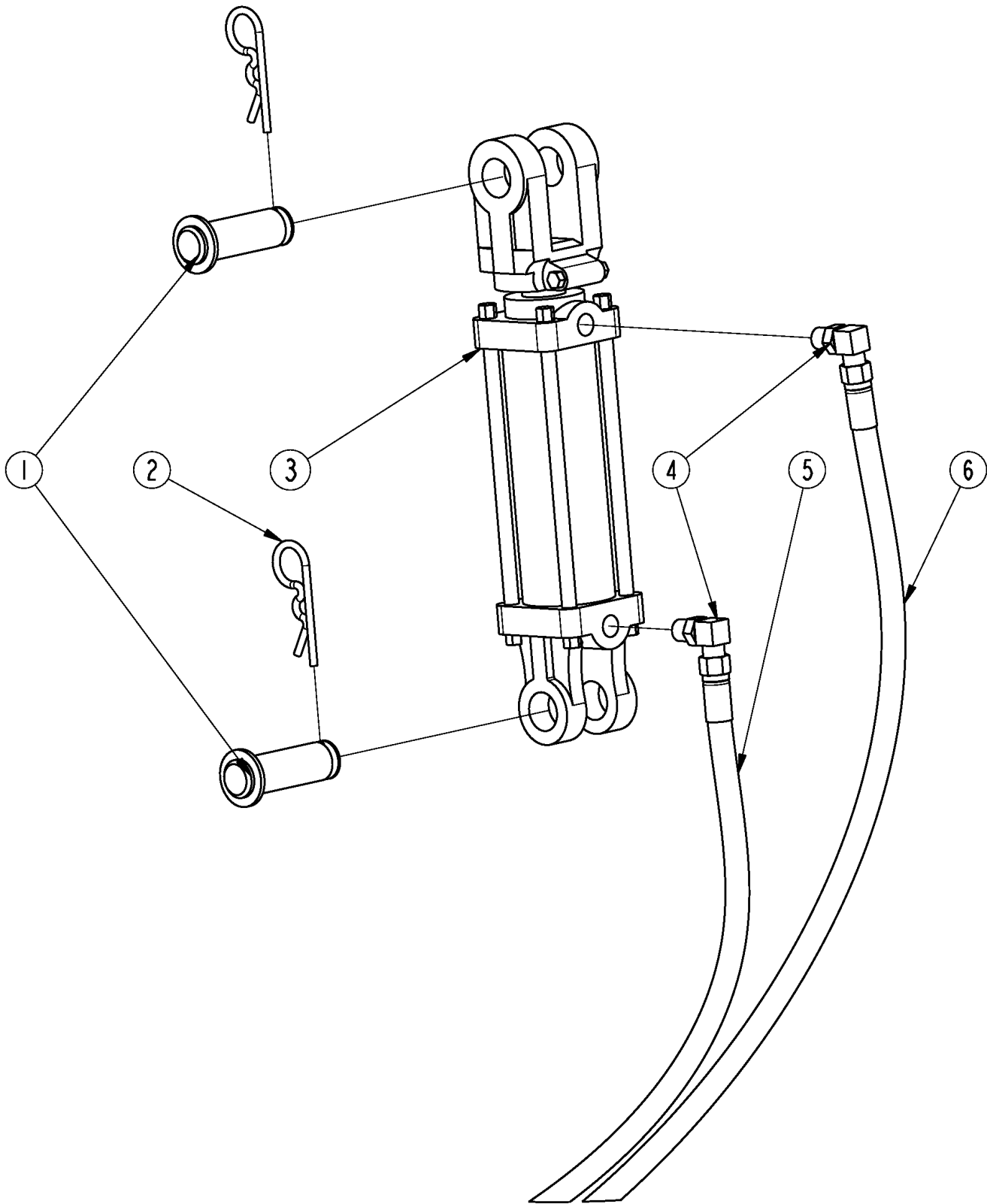
**Outer Skid Shoes (S/N 901961+)**

**Applies to SBD35108, SBD3596**

<b>Ref</b>	<b>Part No.</b>	<b>Part Description</b>	<b>Comments</b>	<b>Revision</b>
	dwg37354	Drawing Image Number		
1.	370-436H	SKID SHOE RH		
2.	370-437H	SKID SHOE LH		
3.	370-438K	SKID SHOE BUNDLE		
4.	802-214C	RHSNB 1/2-13X1 1/4 GR5		
5.	803-169C	NUT HEX FLG LOCK 1/2-13 PLT		

# Tilt Adjustment Hydraulic

Applies to SBD35108, SBD3596



35738

## ***Tilt Adjustment Hydraulic***

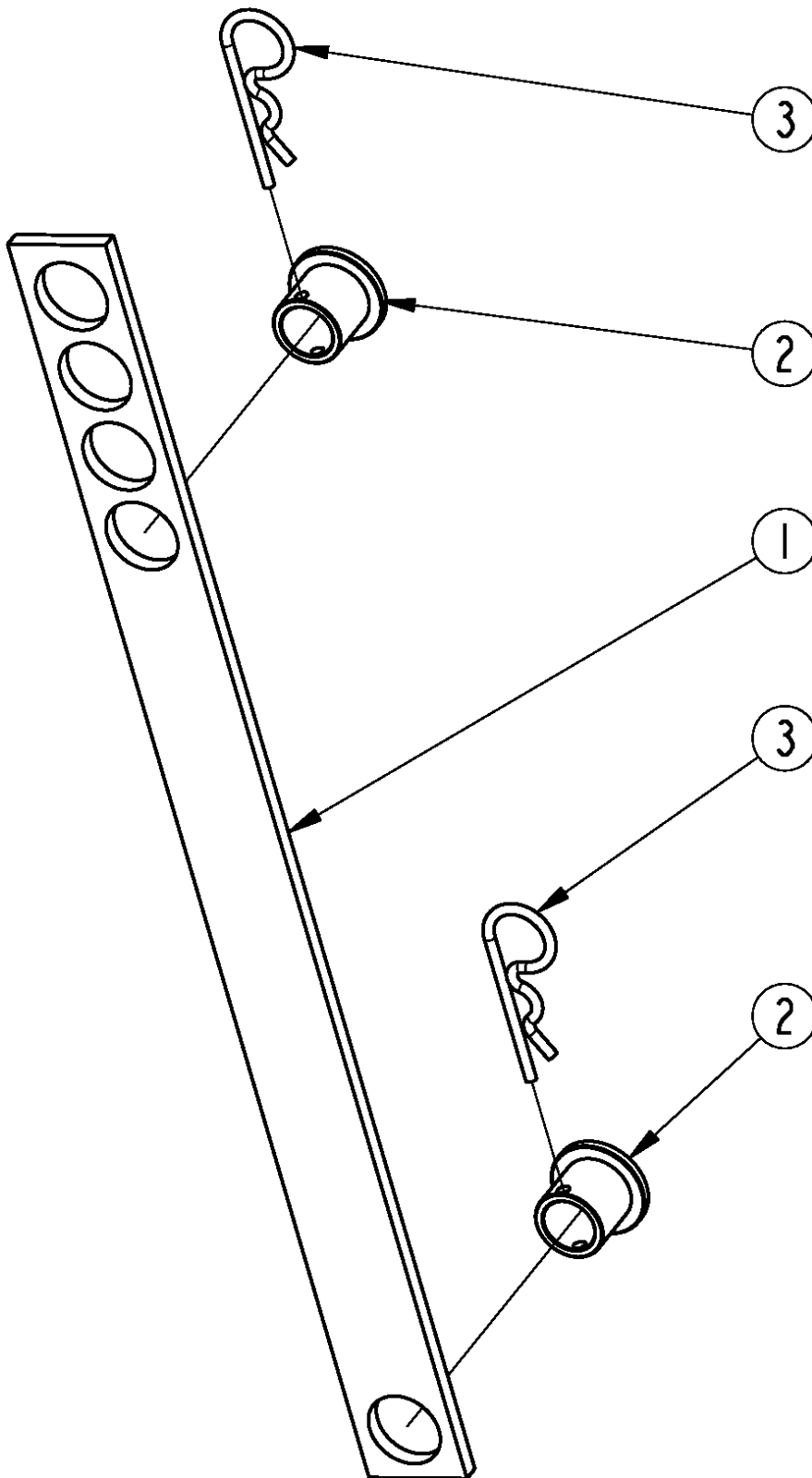
---

**Applies to SBD35108, SBD3596**

<b>Ref</b>	<b>Part No.</b>	<b>Part Description</b>	<b>Comments</b>	<b>Revision</b>
	dwg35738	Drawing Image Number		
	370-295A	TILT ADJ BUNDLE HYD		
	*			
1.	805-004C	PIN CLVS 1.0X2.75 USBL		
2.	805-088C	PIN, HAIR COTTER 3/16 WIRE DIA		
3.	810-125C	CYL 2X4X1.125 ROD (TIE ROD)		
4.	811-062C	OREL 1/32 9/16MJIC 9/16MORB		
5.	841-774C	HH3/8R2 97.59 3/4MORB9/16FJIC		
6.	841-775C	HH3/8R2 102.1 3/4MORB9/16FJIC		

# Tilt Adjustment Manual

Applies to SBD35108, SBD3596



33068

## ***Tilt Adjustment Manual***

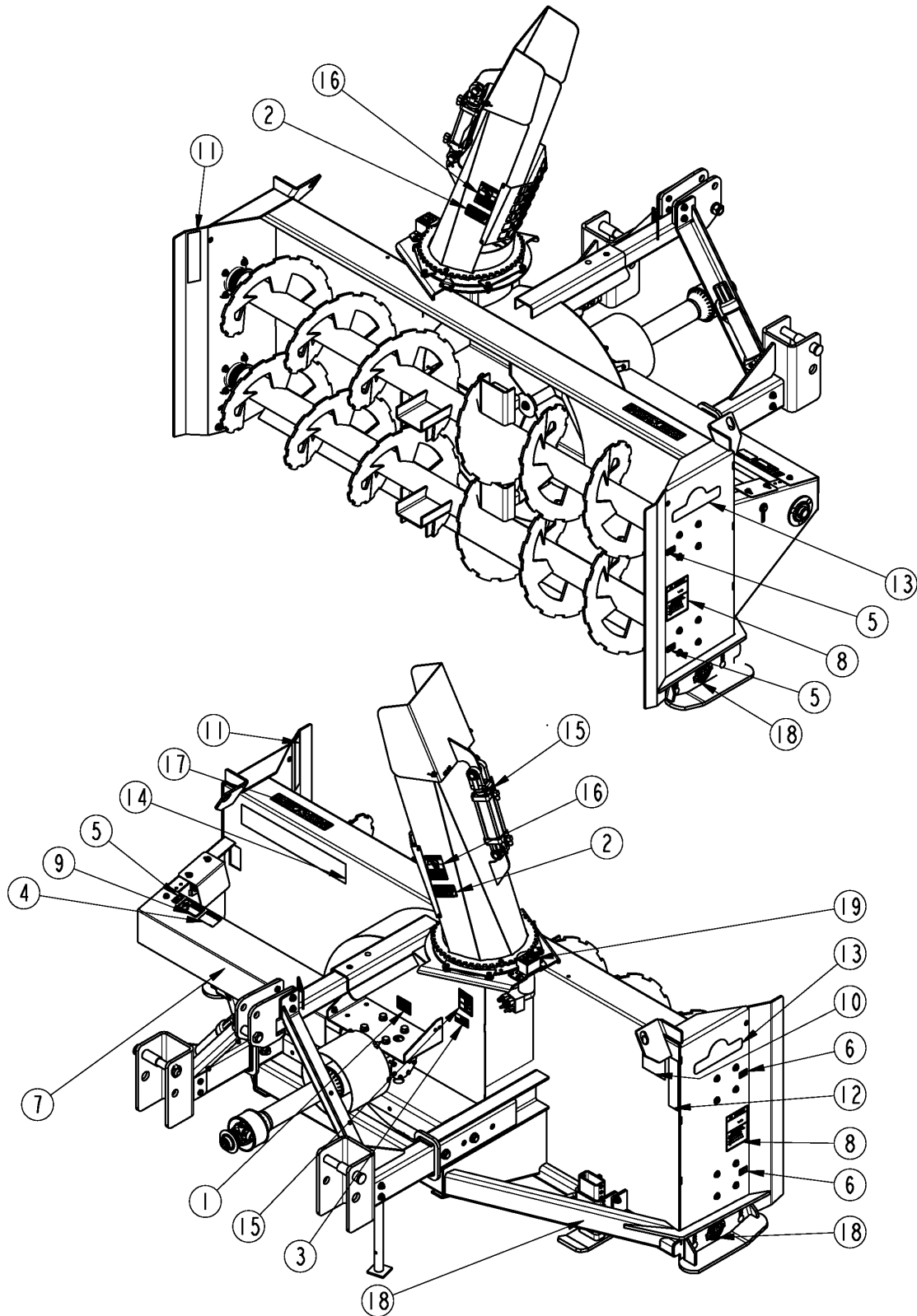
---

**Applies to SBD35108, SBD3596**

<b>Ref</b>	<b>Part No.</b>	<b>Part Description</b>	<b>Comments</b>	<b>Revision</b>
	dwg33068	Drawing Image Number		
	370-030A	TILT ADJ MANUAL		
		*		
1.	370-055D	TILT ADJ MANUAL		
2.	370-243D	TILT PIN		
3.	805-032C	PIN HAIR COTTER .148 WIRE		

# Decal Placement

Applies to SBD35108, SBD3596



35740

**Decal Placement****Applies to SBD35108, SBD3596**

<b>Ref</b>	<b>Part No.</b>	<b>Part Description</b>	<b>Comments</b>	<b>Revision</b>
	Dwg 35740	Drawing Image Number		
1.	818-130C	DECAL CAUTION 540 RPM		
2.	818-132C	DECAL DANGER THROWN OBJECT HAZ		
3.	818-190C	DECAL FLAG		
4.	818-205C	DECAL WARNING MOVING PARTS HAZ		
5.	818-349C	DECAL GREASE 10 HRS LH		
6.	818-402C	DECAL GREASE 10 HRS RH		
7.	818-522C	DECAL MOVING PARTS DANGER		
8.	818-634C	DECAL DANGER AD ROTATING AUGER		
9.	818-798C	DECAL WARNING PINCH POINT GEN		
10.	818-858C	DECAL WARNING GENERAL SAFTEY		
11.	838-614C	DECAL REFLECTOR RED 2X9		
12.	838-615C	DECAL REFLECTOR AMBER 2X9		
13.	818-892C	RPBY 838-963C	BEIGE UNIT	
13.	838-963C	DECAL LP 10" W/TREE BROWN/GOLD	RED/ORANGE/GREEN UNIT	
14.	818-907C	RPBY 838-966C	BEIGE UNIT	
14.	838-966C	DECAL LANDPRIDE 22" BROWN/GOLD	RED/ORANGE/GREEN UNIT	
15.	848-747C	DECAL HIGH PRESSURE FLUIDS		
16.	848-840C	DECAL DANGER ROTATING IMPELLER		
17.	848-912C	DECAL SBD3596 GOLD		
17.	848-913C	RPBY 848-912C	Obsolete	
17.	848-914C	DECAL SBD35108 GOLD	BEIGE UNIT	
17.	848-915C	DECAL SBD35108 GOLD	RED/ORANGE/GREEN UNIT	
18.	858-108C	DECAL, AR400 STEEL		
19.	858-148C	DECAL PIC--PINCH POINT		

***Land Pride Touch-up Paints***

---

Applies to SBD35108, SBD3596

**No diagram associated with this Parts List**



**Land Pride Touch-up Paints****Applies to SBD35108, SBD3596**

<b>Ref</b>	<b>Part No.</b>	<b>Part Description</b>	<b>Comments</b>	<b>Revision</b>
1.	821-011C	LP BEIGE SPRAY CAN	Spray can	
1.	821-070C	GLOSS BLACK SPRAY CAN	Spray can	
1.	821-054C	MED. RED SPRAY TRCK/CTR	Spray can	
1.	821-058C	GREEN SPRAY CUTTERS	Spray can	
1.	821-066C	ORANGE SPRAY CAN	Spray can	
1.	821-067C	BLUE SPRAY CAN	Spray can	
1.	821-080C	PAINT ALUMINUM/ZINC SPRAY CAN	Spray can	
2.	821-011CTU	LP BEIGE TOUCH-UP 5OZ	Touch-up bottle with brush	
2.	821-070CTU	GLOSS BLACK TOUCH-UP 5OZ	Touch-up bottle with brush	
2.	821-054CTU	MED RED TOUCH-UP 5OZ	Touch-up bottle with brush	
2.	821-058CTU	GREEN TOUCH-UP 5OZ	Touch-up bottle with brush	
2.	821-066CTU	ORANGE TOUCH-UP 5OZ	Touch-up bottle with brush	
2.	821-067CTU	BLUE TOUCH-UP 5OZ	Touch-up bottle with brush	
2.	821-080CTU	PAINT ALUMINUM/ZINC TOUCH UP	Touch-up bottle with brush	
3.	821-011CQT	LP BEIGE QUART	Quart can	
3.	821-070CQT	GLOSS BLACK QUART	Quart can	
3.	821-054CQT	MED RED QUART	Quart can	
3.	821-058CQT	GREEN QUART	Quart can	
3.	821-066CQT	ORANGE QUART	Quart can	
3.	821-067CQT	BLUE QUART	Quart can	
3.	821-080CQT	PAINT ALUMINUM/ZINC QUART	Quart can	
4.	821-011CGL	LP BEIGE GALLON	Gallon can	
4.	821-070CGL	GLOSS BLACK GALLON	Gallon can	
4.	821-054CGL	MED RED GALLON	Gallon can	
4.	821-058CGL	GREEN GALLON	Gallon can	
4.	821-066CGL	ORANGE GALLON	Gallon can	
4.	821-067CGL	BLUE GALLON	Gallon can	
4.	821-080CGL	PAINT ALUMINUM/ZINC GALLON	Gallon can	



# Part Number Index

The Part Number Index is a numeric index of all part numbers included in this manual. The index shows what page(s) the part is used on.

Part Number	Page	Part Number	Page	Part Number	Page	Part Number	Page
* .....	15, 29, 31, 33, 35, 37, 39, 45, 51, 53	190.000.098 .....	35	370-647D .....	41	802-053C .....	43
0.244.7520.00 .....	39	190.000.099 .....	35	370-648D .....	41	802-057C .....	25
0.248.1330.00 .....	39	190.000.451 .....	35	370-649D .....	41	802-078C .....	41
0.252.7510.00 .....	37	235005 .....	45	370-650D .....	41	802-079C .....	7, 9, 11, 13, 41
0.252.7525.00 .....	37	258851 .....	45	370-653D .....	43	802-082C .....	27, 43
0.278.0303.00 .....	39	300-236D .....	23	370-654D .....	43	802-091C .....	7, 9, 11, 13, 23, 43, 47
0.278.1300.00 .....	39	304011 .....	29	370-655D .....	43	802-098C .....	23
0.278.2000.00 .....	39	304046 .....	29, 31, 33	370-657D .....	41	802-153C .....	27
0.278.4230.00 .....	39	304123 .....	29	370-659D .....	41	802-159C .....	25, 27
0.278.5023.00 .....	39	311-101H .....	23	370-660D .....	41	802-163C .....	21, 41
0.278.7104.00 .....	37	312209 .....	29, 31, 33	370-661D .....	41	802-192C .....	23, 25
0.279.0307.00 .....	37	331296 .....	29, 31, 33	370-662D .....	41	802-206C .....	17
0.279.1301.00 .....	37	359474 .....	29, 31, 33	370-699D .....	15	802-214C .....	49
0.279.1310.00 .....	37	362428 .....	29	370-705D .....	15	802-224C .....	23
0.279.2011.00 .....	37	362430 .....	31	370-725D .....	21	802-314C .....	25, 27
0.279.4214.00 .....	37	362434 .....	33	370-728D .....	19, 21	802-611C .....	29
0.279.5000.00 .....	37	364915 .....	29	370-775D .....	25, 27	802-741C .....	15
0.279.6000.00 .....	37	365305 .....	29, 31, 33	370-778D .....	43	802-954C .....	15
0.279.7115.00 .....	37	370-030A .....	53	370-783D .....	43	802-981C .....	27
044321 .....	29	370-055D .....	53	370708 .....	29	803-006C .....	19, 21
087276 .....	29, 33	370-081H .....	21	370890 .....	29, 31, 33	803-008C .....	25, 27
097133 .....	29, 31, 33	370-082H .....	21	371684 .....	31, 33	803-013C .....	19, 21
097140 .....	29, 31, 33	370-143D .....	21	377437 .....	29, 31, 33	803-014C .....	19, 21, 45
099601 .....	29	370-243D .....	53	380371 .....	29, 31, 33	803-021C .....	27
121.026.1296.11 .....	35	370-273K .....	17	380857 .....	29, 31, 33	803-027C .....	25
121.026.406.11 .....	35	370-276H .....	27	383333 .....	31, 33	803-031C .....	23
121.026.899.11 .....	35	370-282H .....	23	383334 .....	31, 33	803-169C .....	7, 9, 11, 13, 23, 43, 47, 49
123.360.318.11 .....	35	370-284H .....	23	387505 .....	29, 31, 33	803-177C .....	25, 27
123.360.468.11 .....	35	370-285H .....	23	396295 .....	29, 31, 33	803-209C .....	7, 9, 11, 13, 15, 25, 27
123.460.1063.11 .....	35	370-286K .....	17	437208 .....	45	803-255C .....	23
130556 .....	45	370-288H .....	25	491604 .....	45	803-263C .....	17
141.026.544.1 .....	35	370-288H .....	25	492214 .....	45	803-268C .....	21
142.260.4997621 .....	35	370-295A .....	51	492669 .....	45	803-280C .....	29
142.261.2797621 .....	35	370-297H .....	19	494382 .....	45	803-299C .....	23
142.261.2927621 .....	35	370-299H .....	25	702351 .....	29	804-004C .....	15
142.266.1867621 .....	35	370-300H .....	7	8.0.9.00125 .....	37	804-006C .....	19, 21, 41, 43
142.266.2757621 .....	35	370-302H .....	25	8.0.9.00143 .....	37	804-007C .....	15, 23, 43
143.260.005.1 .....	35	370-306H .....	19	8.0.9.01060 .....	39	804-009C .....	25, 27
143.260.060.1 .....	35	370-307H .....	19	8.1.1.00061 .....	39	804-010C .....	25, 27
151.016.028.1 .....	35	370-309H .....	11	8.1.1.00202 .....	39	804-012C .....	19, 21, 27
151.016.029.1 .....	35	370-313H .....	27	8.1.1.00501 .....	37	804-013C .....	19, 21, 27, 41
151.016.042.1 .....	35	370-323H .....	27	8.5.1.00260 .....	39	804-015C .....	27
151.016.243.1 .....	35	370-355H .....	21	8.5.1.00680 .....	39	804-016C .....	7, 9, 11, 13, 43
151.016.258.1 .....	35	370-364A .....	43	8.5.1.01084 .....	37	804-021C .....	25, 27, 43
151.016.486 .....	35	370-365H .....	41	8.5.2.00030 .....	39	804-022C .....	25, 27, 43
151.016.868.1 .....	35	370-366K .....	41, 43	8.6.5.00006 .....	39	804-023C .....	25
152.170.2630710 .....	35	370-392H .....	15	8.6.6.00201 .....	37	804-025C .....	23, 25
152.170.2700710 .....	35	370-436H .....	49	8.6.6.00271 .....	39	804-027C .....	23
153.160.174 .....	35	370-437H .....	49	8.7.1.00981 .....	37	804-046C .....	15
153.160.798 .....	35	370-438K .....	49	8.7.1.02684 .....	37	804-054C .....	41
165.000.507 .....	35	370-439H .....	47	8.7.3.00027 .....	39	804-157C .....	25, 27
165.000.511 .....	35	370-440K .....	47	8.7.3.01096 .....	37	804-161C .....	25, 27
165.000.525 .....	35	370-441H .....	47	800-001C .....	7, 9, 11, 13	804-187C .....	27
165.000.628 .....	35	370-454S .....	19, 21	800-066C .....	41	804-226C .....	15
180.014.240 .....	35	370-462H .....	9	800-080C .....	25, 27	804-239C .....	19, 21
180.016.130 .....	35	370-467H .....	23	800-306C .....	41	804-247C .....	27
180.016.237 .....	35	370-468A .....	15	800-402C .....	27	805-004C .....	51
180.016.238 .....	35	370-469H .....	23	801-027C .....	25, 27	805-032C .....	53
180.016.316 .....	35	370-470H .....	25, 27	801-108C .....	7, 9, 13	805-065C .....	23
180.016.483 .....	35	370-471K .....	25, 27	801-134C .....	25, 27	805-088C .....	51
180.016.487 .....	35	370-481H .....	21	801-171C .....	15	805-103C .....	23
180.016.636 .....	35	370-518D .....	21	802-004C .....	19, 21	805-143C .....	47
186561 .....	45	370-521D .....	27	802-005C .....	43	805-271C .....	47
190.000.016 .....	35	370-522D .....	25	802-007C .....	25, 27	805-363C .....	19, 21
190.000.018 .....	35	370-523D .....	25	802-014C .....	19, 21, 27	808-317C .....	25
190.000.021 .....	35	370-553D .....	25	802-015C .....	25, 27	808-400C .....	27
190.000.023 .....	35	370-559D .....	19	802-017C .....	15	808-423C .....	11
190.000.078 .....	35	370-567D .....	27	802-022C .....	19, 21, 41		
		370-575D .....	19	802-044C .....	23		
		370-644D .....	25, 27	802-050C .....	25		



## Part Number Index (continued)

Part Number	Page	Part Number	Page
808-448C	7, 9	822-214C	37
808-455C	41	822-218C	25, 27
808-456C	41	822-243C	11
808-483C	13	822-250C	25, 27
809-237C	25	822-253C	19, 21
809-238C	27	822-288C	41
809-306C	41	826-749C	25, 37
810-125C	45, 51	826-751C	25, 29
810-751C	15	826-752C	31
810-883C	45	826-753C	33
811-062C	51	826-754C	27, 39
811-170C	15	826-755C	27, 35
815-452C	41	838-614C	55
815-453C	41	838-615C	55
816-252C	41	838-963C	55
816-504C	23	838-966C	55
816-785C	41	841-774C	15, 51
816-786C	41	841-775C	51
816-787C	41	848-747C	55
816-788C	41	848-840C	55
817-192C	25, 27	848-912C	55
817-358C	25	848-913C	55
817-872C	21	848-914C	55
817-968C	19	848-915C	55
817-976C	19, 21	858-108C	55
818-130C	55	858-148C	55
818-132C	55	891-293C	23
818-190C	55	891-503C	25
818-205C	55	891-504C	27
818-349C	55	A.712.500	37
818-402C	55	A110.500	39
818-522C	55	A244.501	39
818-634C	55	A252.500	37
818-798C	55	Dwg 35735	27
818-858C	55	Dwg 35740	55
818-892C	55	Dwg 35756	37
818-907C	55	Dwg 37362	41
820-035C	17	Dwg 37363	43
820-072C	17	Dwg 37480	7
821-011C	57	Dwg 37481	13
821-011CGL	57	Dwg 70747	31
821-011CQT	57	Dwg 70748	33
821-011CTU	57	dwg13565	45
821-054C	57	dwg33068	53
821-054CGL	57	dwg35730	11
821-054CQT	57	dwg35734	21
821-054CTU	57	dwg35736	39
821-058C	57	dwg35737	15
821-058CGL	57	dwg35738	51
821-058CQT	57	dwg35741	35
821-058CTU	57	dwg35753	23
821-066C	57	dwg35754	25
821-066CGL	57	dwg35755	29
821-066CQT	57	dwg35758	19
821-066CTU	57	dwg35759	9
821-067C	57	dwg37353	47
821-067CGL	57	dwg37354	49
821-067CQT	57	dwg37355	17
821-067CTU	57	N/A	45
821-070C	57		
821-070CGL	57		
821-070CQT	57		
821-070CTU	57		
821-080C	57		
821-080CGL	57		
821-080CQT	57		
821-080CTU	57		
822-004C	7, 9, 13		
822-093C	41		
822-188C	39		
822-191C	39		



Great Plains Manufacturing, Inc.

Corporate Office: P.O. Box 5060  
Salina, Kansas 67402-5060 USA

[www.landpride.com](http://www.landpride.com)

---