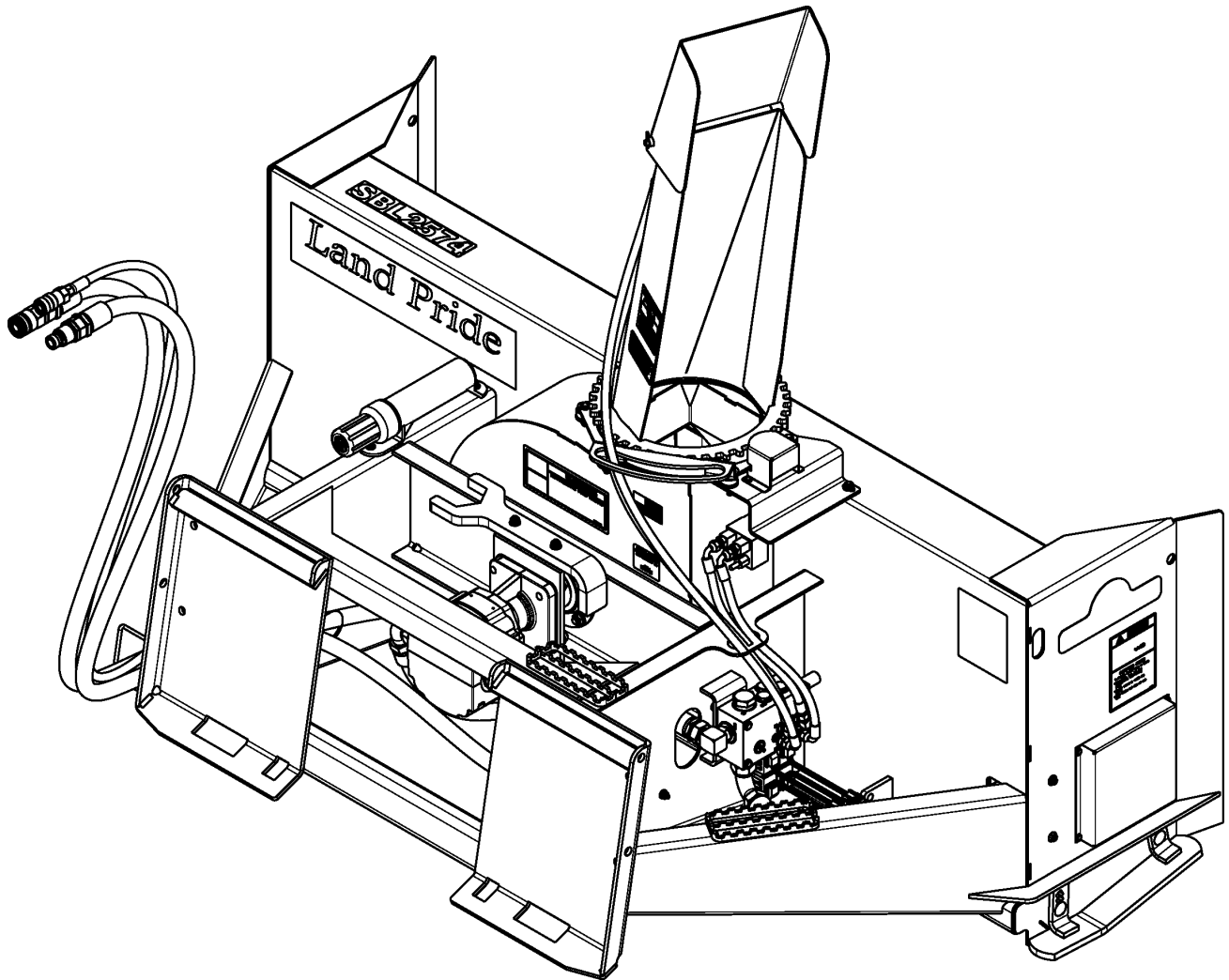


Snow Blowers

SBL2566, SBL2574 & SBL2584 With S/N 891530-



35560

370-258P Parts Manual



Read the Operator's Manual entirely. When you see this symbol, the subsequent instructions and warnings are serious - follow without exception. Your life and the lives of others depend on it!

© Copyright 2015 Printed 10/30/15

Cover photo may show optional equipment not supplied with standard unit.





Table of Contents

Section 1: Introduction.....	4
Using This Manual.....	4
Manual Replacement Information.....	4
Manual Revisions.....	4
Touch-up Paint.....	4
Hardware Legend.....	5
Replacement Hardware.....	5
Serial Numbers.....	5
Part Number Service Coding.....	5
Section 2: Frame, Impeller & Auger Components.....	6
Auger Components.....	6
Frame & Chute.....	8
Impeller Components.....	10
Section 3: Hydraulics with Options.....	12
Auger Drive Hydraulics.....	12
Cassapa: Hydraulic Motor 5.28 Cubic Inch (810-837C) 3500 PSI.....	14
Cassapa: Hydraulic Motor 9.2 Cubic Inch (810-835C) 3500 PSI.....	16
Cassapa: Hydraulic Motor Medium Flow (810-832C).....	18
Chute Rotation Hydraulics.....	20
Chute Tilt Hydraulics.....	22
Control Box (823-377C).....	24
Control Harness Kubota Skid W/ 2-Pin Power Supply.....	26
Control Harness Skid.....	28
Control Harness Tractor.....	30
CTL Case Drain Coupler Package.....	32
Eaton Hydraulic Motor 5.5 Cubic Inch (850-026C).....	34
Flat Faced Couplers Large.....	36
Flat Faced Couplers Small.....	38
Flow Control Valve.....	40
Hose & Fittings.....	40
Hydraulic Cylinder Double Acting (810-125C) Lion.....	42
Hydraulic Motor 18 Cubic Inch (810-732C) 3500 PSI.....	44
Hydraulic Motor and Hoses (Cassapa Motors).....	46
Hydraulic Motor Assembly (Eaton Motors).....	48
Return to Sump Hose.....	50
Solenoid Valve (810-840).....	52
Solenoid.....	54
Hose & Fittings.....	54
Valve Solenoid (810-716C).....	56
Wiring Harness 14 Pin.....	58
Wiring Harness 14 Pin JD.....	60
Wiring Harness 14 Pin JD Electric/Hydraulic.....	62
Section 4: Labels.....	64
Label Placement.....	64

Part Number Index.....66

© Copyright 2015. All rights reserved.

Land Pride provides this publication “as is” without warranty of any kind, either expressed or implied. While every precaution has been taken in the preparation of this manual, Land Pride assumes no responsibility for errors or omissions. Neither is any liability assumed for damages resulting from the use of the information contained herein. Land Pride reserves the right to revise and improve its products as it sees fit. This publication describes the state of this product at the time of its publication, and may not reflect the product in the future. The illustrations in this manual are not intended for safe and proper assembly or disassembly of equipment. The illustrations are intended for ordering parts only.

Land Pride is registered trademark.

All other brands and product names are trademarks or registered trademarks of their respective holders.

Printed in the United States of America.



Alphabetized Table of Contents

A	
Auger Components.....	6
Auger Drive Hydraulics.....	12
C	
Cassapa: Hydraulic Motor 5.28 Cubic Inch (810-837C) 3500 PSI.....	14
Cassapa: Hydraulic Motor 9.2 Cubic Inch (810-835C) 3500 PSI.....	16
Cassapa: Hydraulic Motor Medium Flow (810-832C)....	18
Chute Rotation Hydraulics.....	20
Chute Tilt Hydraulics.....	22
Control Box (823-377C).....	24
Control Harness Kubota Skid W/ 2-Pin Power Supply..	26
Control Harness Skid.....	28
Control Harness Tractor.....	30
CTL Case Drain Coupler Package.....	32
E	
Eaton Hydraulic Motor 5.5 Cubic Inch (850-026C).....	34
F	
Flat Faced Couplers Large.....	36
Flat Faced Couplers Small.....	38
Flow Control Valve, Hose & Fittings.....	40
Frame & Chute.....	8
H	
Hydraulic Cylinder Double Acting (810-125C) Lion.....	42
Hydraulic Motor 18 Cubic Inch (810-732C) 3500 PSI...	44
Hydraulic Motor and Hoses (Cassapa Motors).....	46
Hydraulic Motor Assembly (Eaton Motors).....	48
I	
Impeller Components.....	10
L	
Label Placement.....	64
R	
Return to Sump Hose.....	50
S	
Solenoid Valve (810-840).....	52
Solenoid, Hose & Fittings.....	54
V	
Valve Solenoid (810-716C).....	56
W	
Wiring Harness 14 Pin.....	58
Wiring Harness 14 Pin JD.....	60
Wiring Harness 14 Pin JD Electric/Hydraulic.....	62

General Information

Using This Manual

This manual is divided into sections. The first section contains General Information. The remaining sections divide the machine into segments (i.e. Frames, Drives, Hydraulics, etc.) which illustrate and list all parts. A Parts Number Index is located at the back of the book.

The Land Pride parts in this manual are specially designed for this machine and should be replaced with Land Pride parts only.

The information in this manual is current at time of printing. Some parts may change to assure top performance.

Right-hand and left-hand as used in this manual are determined by facing the direction the machine will travel while in use.

Below is an example of two facing pages from a parts manual. Familiarize yourself with the type of information contained on these pages.

Manual Replacement Information

Replacement manuals are available. Refer to our website at www.landpride.com or e-mail us at lit@landpride.com for additional information. Our website continues to provide the most up-to-date manuals available.

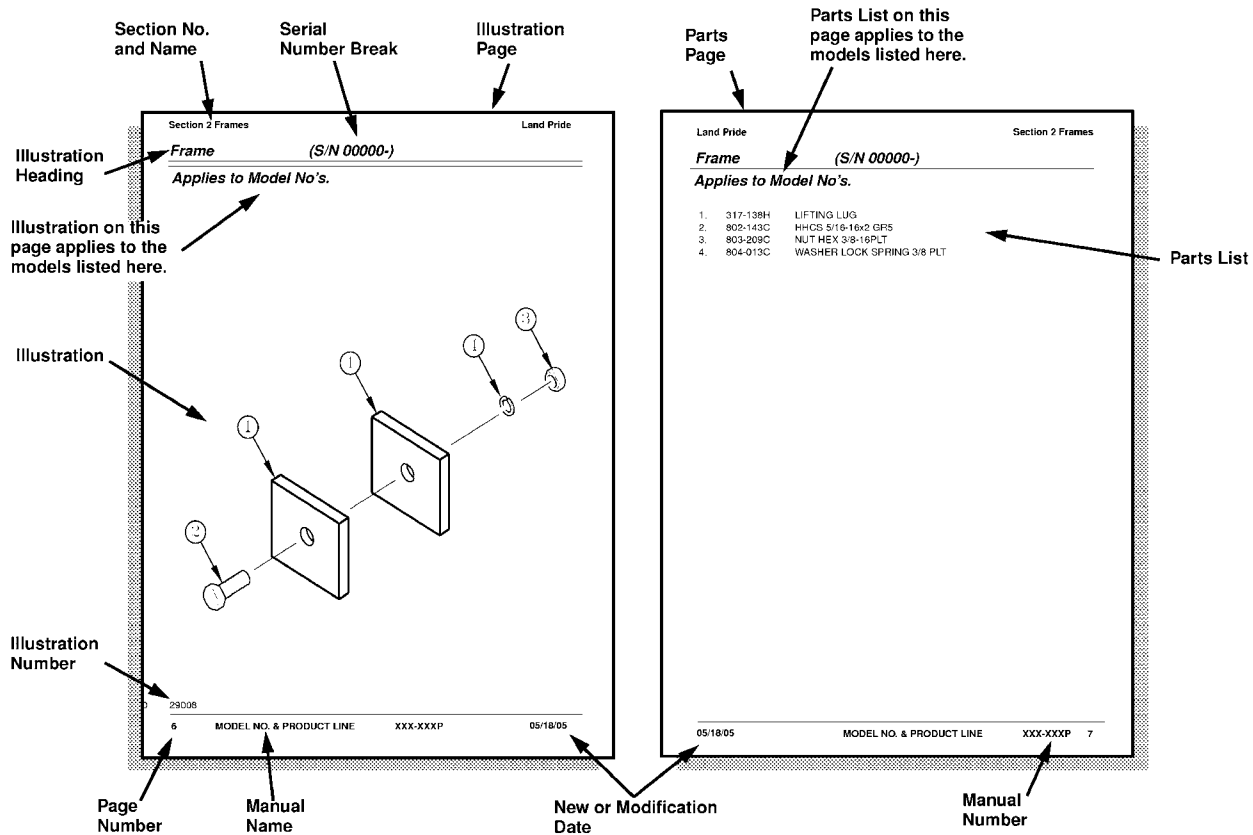
Touch-up Paint

Repaint parts where paint is worn or scratched to prevent rust. Aerosol cans and touch-up bottles with brush applicator are available through your local dealer. Land Pride color descriptions and part numbers are listed below. Also available are quart and gallon size paints. Add QT or GL to end of the Aerosol P/N.

Color	Product*	Aerosol	Touch-Up
Gloss Black	LP	821-032C	821-032CTU
Beige	LP	821-011C	821-011CTU
Green	SLP	821-058C	821-058CTU
Orange	SLP	821-066C	821-066CTU
Red	SLP	821-054C	821-054CTU
Blue	SLP	821-067C	821-067CTU

Notes:

- * LP = All Land Pride Products
- SLP = Select Land Pride Products that are available in optional Green, Orange and Red.



General Information

Hardware Legend

AR	As Required
BLADE	Blade Bolt
C	Cap Screw
CP	Cotter Pin
CPHSSS	Cup Point Hex Socket Set Screw
CPSHSS	Cup Point Square Head Set Screw
CPSQHSS	Cup Point Square Head Set Screw
CRFCHMS3	Cross Recess Flat Countersunk Head Machine Screw
CRPHMS	Cross Recess Pan Head Machine Screw
CRPHTF	Cross Recess Pan Head Thread Forming
CRRHMS	Cross Recess Round Head Machine Screw
CRTHMS	Cross Recess Truss Head Machine Screw
CSNB	Countersunk Square Neck Bolt
FHMS	Flat Head Machine Screw
FTC	Full Thread Cap Screw
H	Hex Nut
HCLN	Hex Center Lock Nut
HFLCS	Hex Flange Lock Cap Screw
HFS	Hex Flange Screw
HFSLN	Hex Flange Serrated Lock Nut
HFSS	Hex Flange Serrated Screw
HHCS	Hex Head Cap Screw or Metric Bolt
HSBHCS	Hex Socket Button Head Cap Screw
HSFCHCS	Hex Socket Flat Countersunk Head Cap Screw
HSHCS	Hex Socket Head Cap Screw
HSSS	Hex Socket Head Screw
HTLN	Hex Top Lock Nut
HWHCS	Hex Washer Head Cap Screw

HWHMS	Hex Washer Head Machine Screw
HXBHCS	Hex Socket Button Head Cap Screw
J	Hex Jam Nut
JIC	37 Degree Tapered Thread
L	Helical Spring Lock Washer
LUG	Lug Bolt
NFC	National Fine Cap Screw
NPSM	National Pipe Straight Mechanical
NPTF	National Pipe Taper Fuel
P	Wide Plain Washer
PHMS	Pan Head Machine Screw
PLOW	Plow Bolt
RHMS	Round Head Machine Screw
RHSNB	Round Head Square Neck Bolt
SCREW LEVELING	Leveling Screw
SCREW THUMB	Thumb Screw
SCREW WELD	Weld Screw
SFCHMS	Slotted Flat Countersunk Head Machine Screw
SFHMS	Slotted Fillister Head Machine Screw
SP	Special
SP SCREW	Special Screw
SQHSS	Square Head Set Screw
SRHMS	Slotted Round Head Machine Screw
SSS	Socket Set Screw
STCS	Self Tapping Cap Screw
STHMS	Slotted Truss Head Machine Screw
WHEEL	Wheel Studs and Hub Long Bolts
WING	Wing Bolt

Replacement Hardware

The **Hardware Legend** above lists hardware abbreviations used in the parts list. All bolts and nuts are Grade 5 unless otherwise noted. The use of improper grades of hardware can result in personal injury, damage to equipment, or loss of property.

Colored Replacement Parts

Land Pride offers replacement parts in factory standard colors and also on select models in Green, Orange, Red and Blue. Because of the variety of colors available, special attention must be given to the part number to prevent ordering the wrong replacement part.

A suffix number corresponding to one of the colors below must be added at the end of Land Pride's part number when ordering a replacement part with that color.

- | | |
|----------------------------|--------------------------|
| 81 Green | 83 Red |
| 82 Orange | 84 Blue |

For example, if you are ordering a replacement part with part number 555-555C and the part you need is red, then add the suffix 83 to the end of the number to make the part number read 555-555C83. Parts ordered without a suffix number will be supplied in factory standard colors.

Black Replacement Parts

Some parts are factory standard black and some must be special ordered black. If your part is special ordered black, a second part number with the additional suffix number 85 on the end will be available. In this situation you must order that part with the suffix number for it to be black. Parts that are factory standard black will not have the suffix number.

Part Number Service Coding

Within the parts list some part numbers are coded for revisions and interchangeability. See notations in revision column.

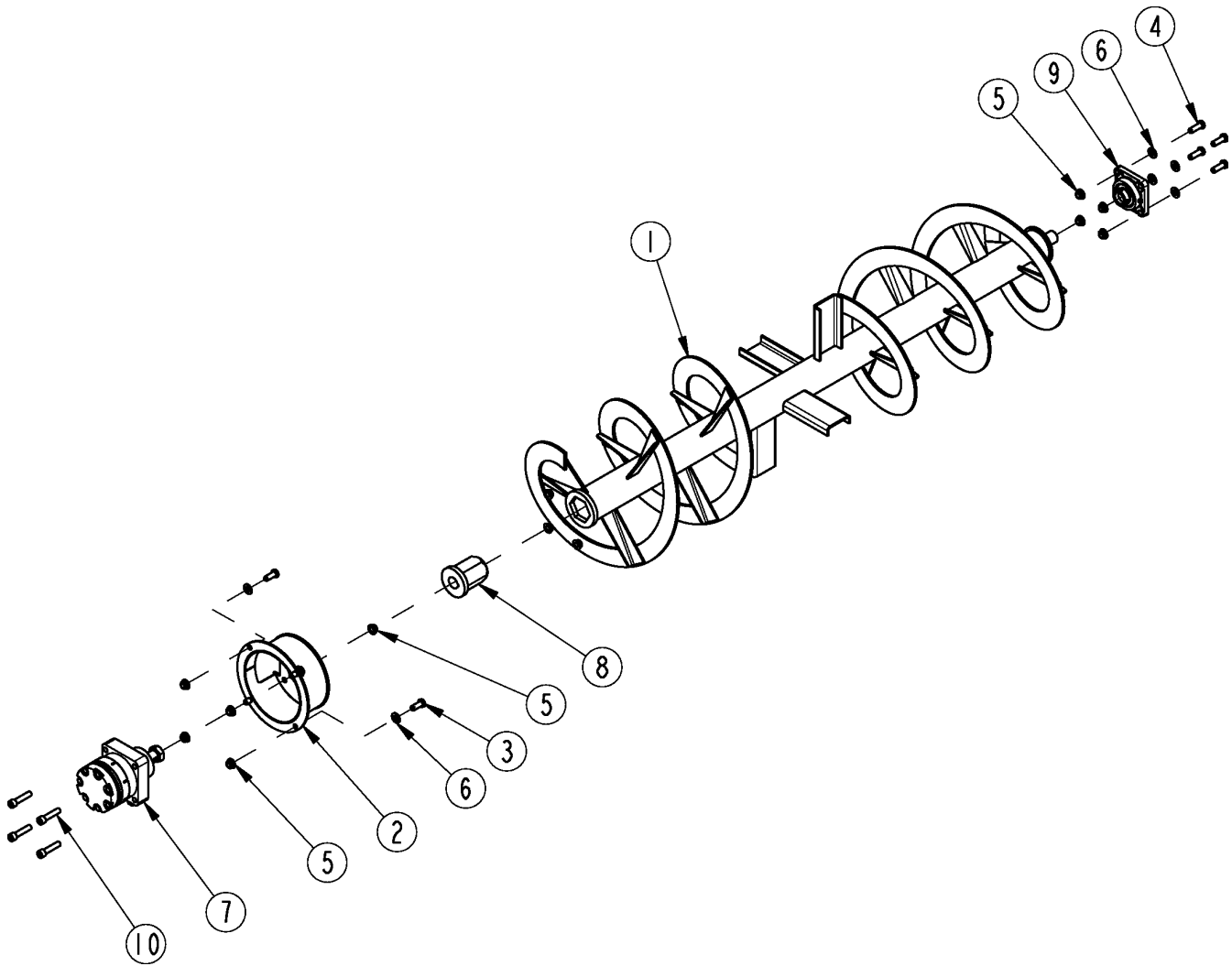
Serial Numbers

Always use the serial and model number when ordering parts. Refer to the Operator's Manual for serial number plate location.

- | | |
|----------------------|--|
| (S/N 20001+) | Includes serial numbers 20001 and above (to the latest number) |
| (S/N 10001 to 20000) | Includes serial numbers between and including 10001 and 20000 |
| (S/N 10000-) | Includes serial numbers 10000 and below (to the earliest number) |

Auger Components

Applies to SBL2566 S/N 891530-, SBL2574 S/N 891530-, SBL2584 S/N 891530-



35561

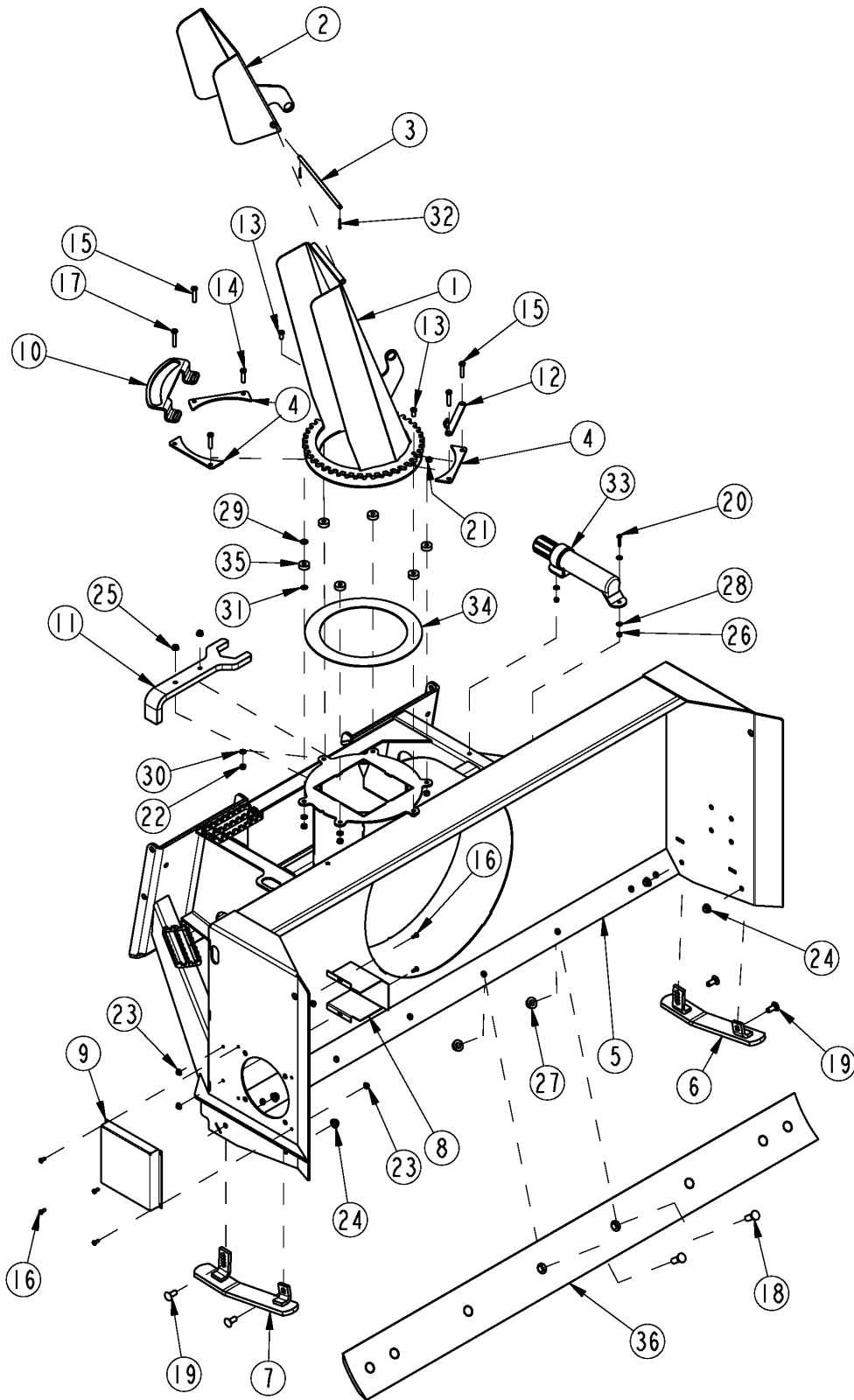
Auger Components

Applies to SBL2566 S/N 891530-, SBL2574 S/N 891530-, SBL2584 S/N 891530-

Ref	Part No.	Part Description	Comments	Revision
	dwg35561	Drawing Image Number		
1.	370-353H	AUGER WELD SBL2566		
1.	370-214H	AUGER WELD SBL2574		
1.	370-261H	AUGER WELD SBL2584		
2.	370-256H	MOTOR MOUNT AUGER		
3.	802-034C	HHCS 1/2-13X1 1/4 GR5		
4.	802-091C	HHCS 1/2-13X1 1/2 GR5		
5.	803-169C	NUT HEX FLG LOCK 1/2-13 PLT		
6.	804-016C	WASHER FLAT 1/2 SAE PLT		
7.	810-732C	HYD MTR 18 CID W/KEY - RE		
8.	815-312C	HUB, HEX 2 1/2X1 1/4 TPRD BORE		
9.	822-243C	BRG 4 BOLT CAMLOCK 1.25 BORE		
10.	842-244C	HHCS 1/2-13X2 1/4		

Frame & Chute

Applies to SBL2566 S/N 891530-, SBL2574 S/N 891530-, SBL2584 S/N 891530-



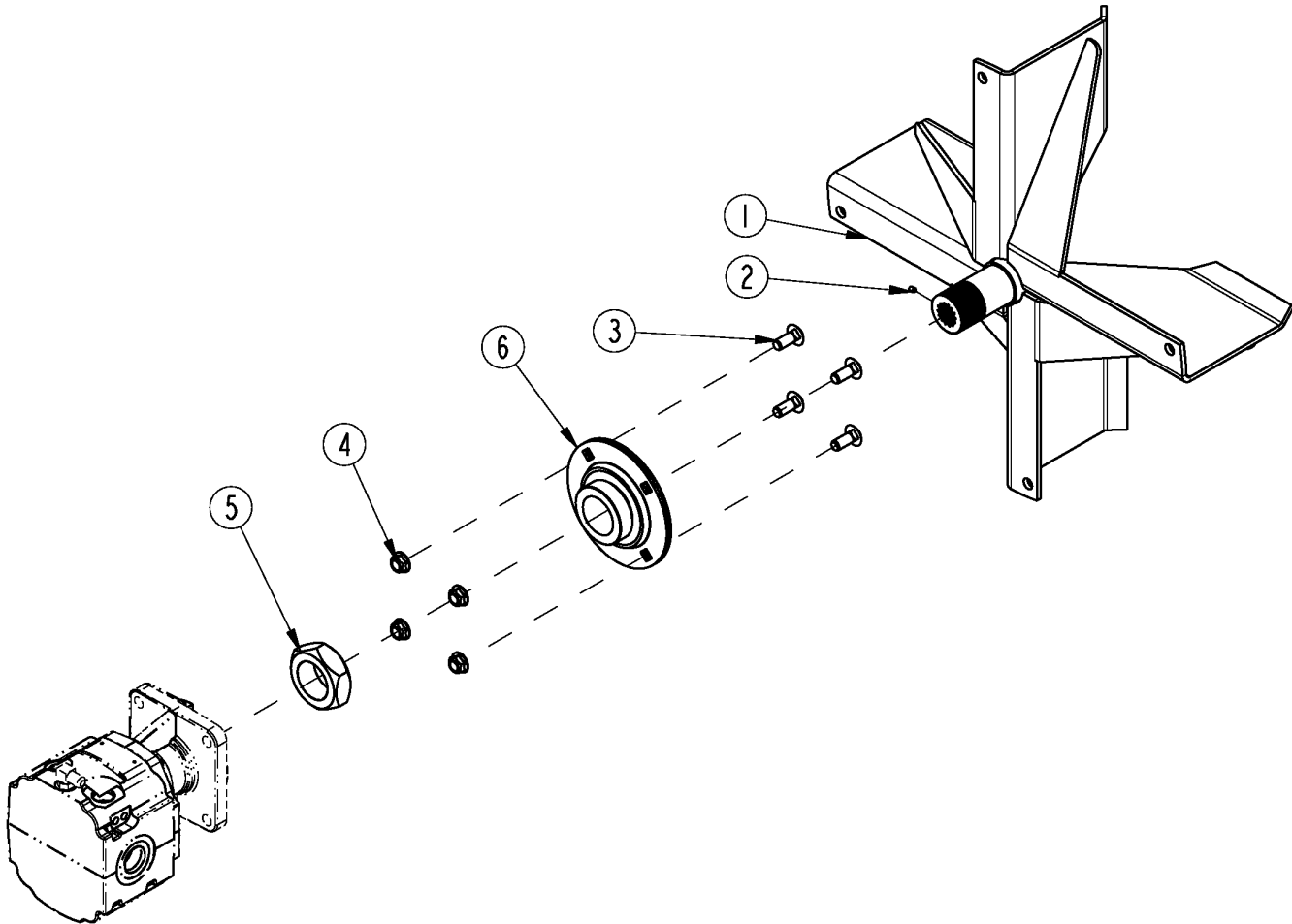
35562

Frame & Chute**Applies to SBL2566 S/N 891530-, SBL2574 S/N 891530-, SBL2584 S/N 891530-**

Ref	Part No.	Part Description	Comments	Revision
	dwg35562	Drawing Image Number		
1.	370-071H	CHUTE WELD 15 SERIES		
2.	370-072H	SPOUT WELD 15 SERIES		
3.	370-142D	TILT PIVOT PIN 15 SERIES		
4.	370-168D	BEARING STRAP		
5.	370-351H	FRAME WELD SBL 66"		
5.	370-351H82	FRAME WELD SBL 66" ORANGE		
5.	370-351H85	FRAME WELD SBL 66" BLACK		
5.	370-210H	FRAME WELD SBL2574		
5.	370-210H82	FRAME WELD SBL2574 ORANGE		
5.	370-210H85	FRAME WELD SBL2574 BLACK		
5.	370-259H	FRAME WELD SBL 2584		
5.	370-259H82	FRAME WELD SBL 2584 ORANGE		
5.	370-259H85	FRAME WELD SBL 2584 BLACK		
6.	370-251H	SKID SHOE WELD		
7.	370-252H	SKID SHOE WELD		
8.	370-395D	HOSE CHANNEL		
9.	370-454D	MOTOR COVER		
10.	370-455D	HOSE GUIDE		
11.	370-677D	WRENCH JAM NUT		
12.	370-681D	STOP BAR SBL74/84		
13.	802-014C	HHCS 3/8-16X3/4 GR5		
14.	802-022C	HHCS 3/8-16X1 1/2 GR5		
15.	802-023C	HHCS 3/8-16X1 3/4 GR5		
16.	802-078C	HHCS 1/4-20X5/8 GR5		
17.	802-143C	HHCS 3/8-16X2 GR5		
18.	802-206C	PLOW 5/8-11X1 3/4 GR5		
19.	802-214C	RHSNB 1/2-13X1 1/4 GR5		
20.	802-224C	HHCS 1/4-20X1 1/4 GR5		
21.	803-013C	NUT LOCK 3/8-16 PLT		
22.	803-014C	NUT HEX 3/8-16 PLT		
23.	803-088C	NUT HEX LOCK 1/4-20 FLG		
24.	803-169C	NUT HEX FLG LOCK 1/2-13 PLT		
25.	803-209C	NUT FLANGE LOCK 3/8-16 PLT		
26.	803-255C	NUT HEX NYLOCK 1/4-20		
27.	803-263C	NUT HEX FLANGE LOCK 5/8-11 PLT		
28.	804-007C	WASHER FLAT 1/4 SAE PLT		
29.	804-012C	WASHER FLAT 3/8 SAE PLT	S/N 881968+	
30.	804-013C	WASHER LOCK SPRING 3/8 PLT		
31.	804-239C	WASHER MACH .379IDX.75ODX.015	S/N 881968+	
32.	805-363C	PIN COTTER 1/8 X 1		
33.	816-504C	MANUAL STORAGE CONTAINER		
34.	817-871C	CHUTE BEARING UHMW 10"		
35.	822-253C	BRG, .393 ID X 1.181 OD X .354	S/N 881968+	
35.	817-976C	CHUTE BEARING	S/N 759563 TO 881967	
36.	820-042C	GRADER BLADE 1/2 X 6 X 65 1/2		
36.	820-477C	1/2X6 GRADER BLADE X 73.5"		
36.	820-046C	GRADER BLADE 1/2 X 6 X 83 1/2		

Impeller Components

Applies to SBL2566 S/N 891530-, SBL2574 S/N 891530-, SBL2584 S/N 891530-



35574

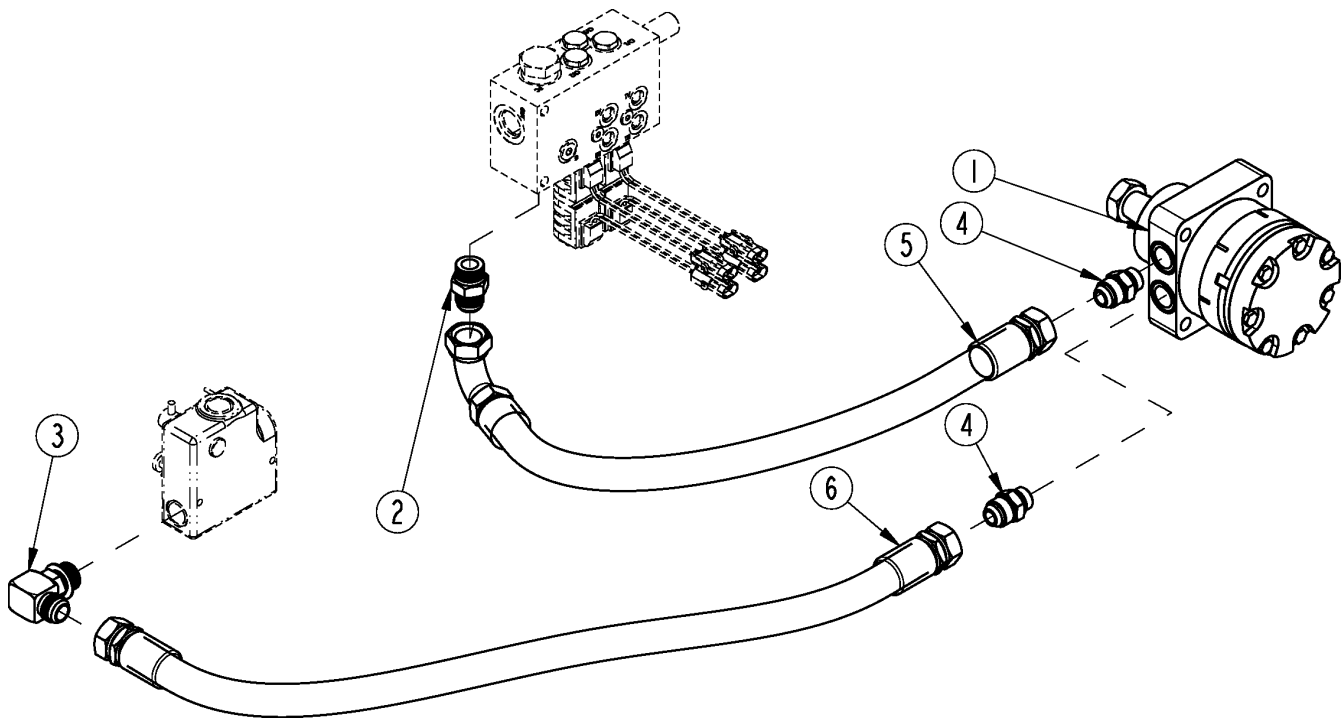
Impeller Components

Applies to SBL2566 S/N 891530-, SBL2574 S/N 891530-, SBL2584 S/N 891530-

Ref	Part No.	Part Description	Comments	Revision
	dwg35574	Drawing Image Number		
1.	370-265H	IMPELLER WELD SBL		
2.	801-019C	SCREW SET SH 1/4-20 X 1/4 LG.		
3.	802-214C	RHSNB 1/2-13X1 1/4 GR5		
4.	803-169C	NUT HEX FLG LOCK 1/2-13 PLT		
5.	803-406C	NUT HEX JAM 2-12 UNF PLT		
6.	822-283C	BRG W/FLG 2.00ID 4-BOLT		

Auger Drive Hydraulics

Applies to SBL2566 S/N 891530-, SBL2574 S/N 891530-, SBL2584 S/N 891530-



35572

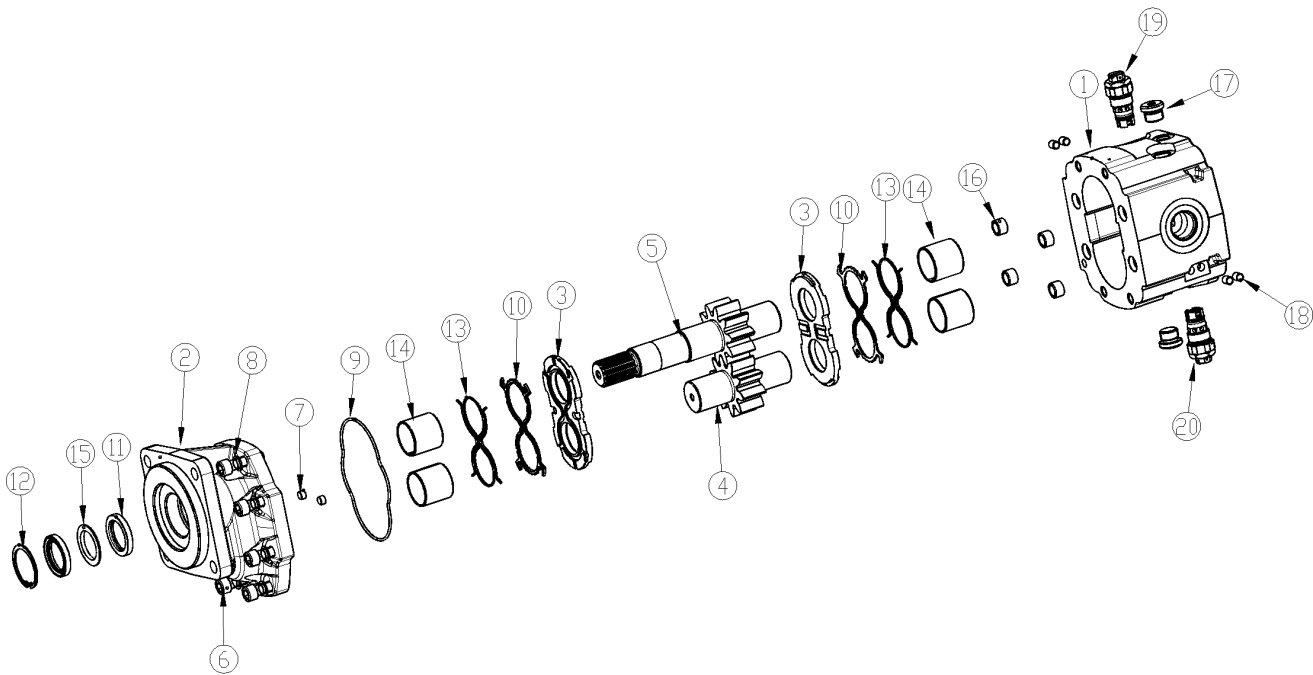
Auger Drive Hydraulics

Applies to SBL2566 S/N 891530-, SBL2574 S/N 891530-, SBL2584 S/N 891530-

Ref	Part No.	Part Description	Comments	Revision
	dwg35572	Drawing Image Number		
1.	810-732C	HYD MTR 18 CID W/KEY - RE		
2.	811-408C	AD 1 1/16MORB 1 1/16MJIC		
3.	811-411C	EL 1 1/16MJIC 1 1/16MORB		
4.	811-763C	AD 7/8MORB 1 1/16MJIC		
5.	841-904C	HH3/4R16 26 1.06FJIC(1)90	SBL2566	
5.	841-649C	HH3/4R2 29.38 1.06FJIC(1)90	SBL2574	
5.	841-671C	HH3/4R2 33.84 1.06FJIC(1)90	SBL2584	
6.	841-905C	HH3/4R16 30.8 1.06FJIC	SBL2566	
6.	841-650C	HH3/4R2 36.62 1.06FJIC	SBL2574	
6.	841-672C	HH3/4R2 40.01 1.06FJIC	SBL2584	

Cassapa: Hydraulic Motor 5.28 Cubic Inch (810-837C) 3500 PSI

Applies to SBL2566 S/N 891530-, SBL2574 S/N 891530-, SBL2584 S/N 891530-



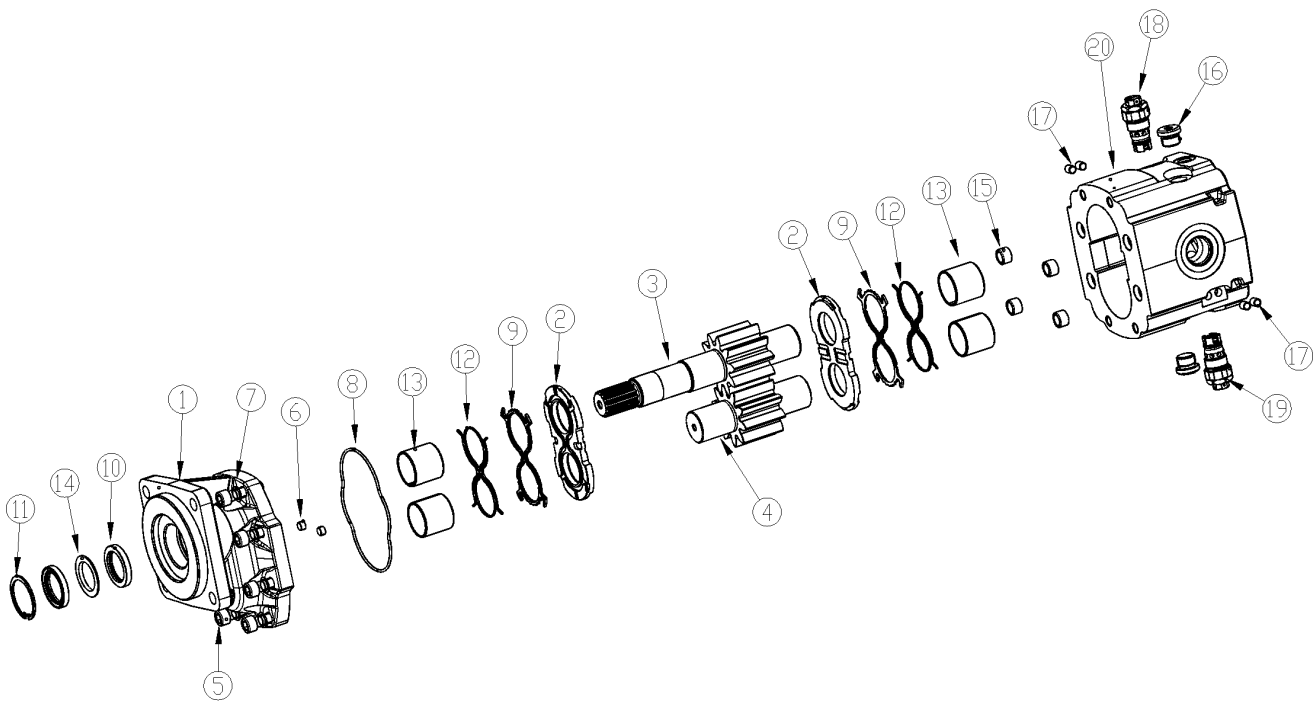
35581

Cassapa: Hydraulic Motor 5.28 Cubic Inch (810-837C) 3500 PSI**Applies to SBL2566 S/N 891530-, SBL2574 S/N 891530-, SBL2584 S/N 891530-**

Ref	Part No.	Part Description	Comments	Revision
	dwg35581 810-837C	Drawing Image Number HYD. MOTOR, 5.28 CIR *		
1.	21067573	CSPA BODY MEDIUM FLOW PUMP		
2.	23267180	CSPA FRONT COVER FP40-0-S6		
3.	25937592	CSPA THRUST PLATE FP/R AI MACH		
4.	32748404	CSPA DRIVEN GEAR		
5.	32748430	CSPA DRIVE SHAFT		
6.	35921500	CSPA SCREW TCEI M 12X45		
7.	37185000	GRUB SCREW 1/8		
8.	37810000	CSPA WASHER KNURLED 12		
9.	39166000	CSPA ORING SEAL PH 2-159		
10.	39656230	CSPA SEAL FP40		
11.	40030000	SHAFT SEAL BAUD2 35X50X7		
12.	40880000	CSPA RING 50 UNI 7437		
13.	41387250	CSPA ANTIEXTRUSION RING Z		
14.	42425000	CSPA SLEEVE BRG DU F40		
15.	45700000	CSPA BACK UP WASHER GR.4		
16.	49324500	CSPA STEEL BUSHES 18X12		
17.	49468030	CSPA STEEL PLUG TCEI 6 1/2		
18.	49591070	PLG KSA CVMS0093110A (DIA 9MM)		
19.	95155002	CSPA CARTRIDGE P(G4-210)		
20.	95155003	CSPA CARTRIDGE P(G3-150)		

Cassapa: Hydraulic Motor 9.2 Cubic Inch (810-835C) 3500 PSI

Applies to SBL2566 S/N 891530-, SBL2574 S/N 891530-, SBL2584 S/N 891530-



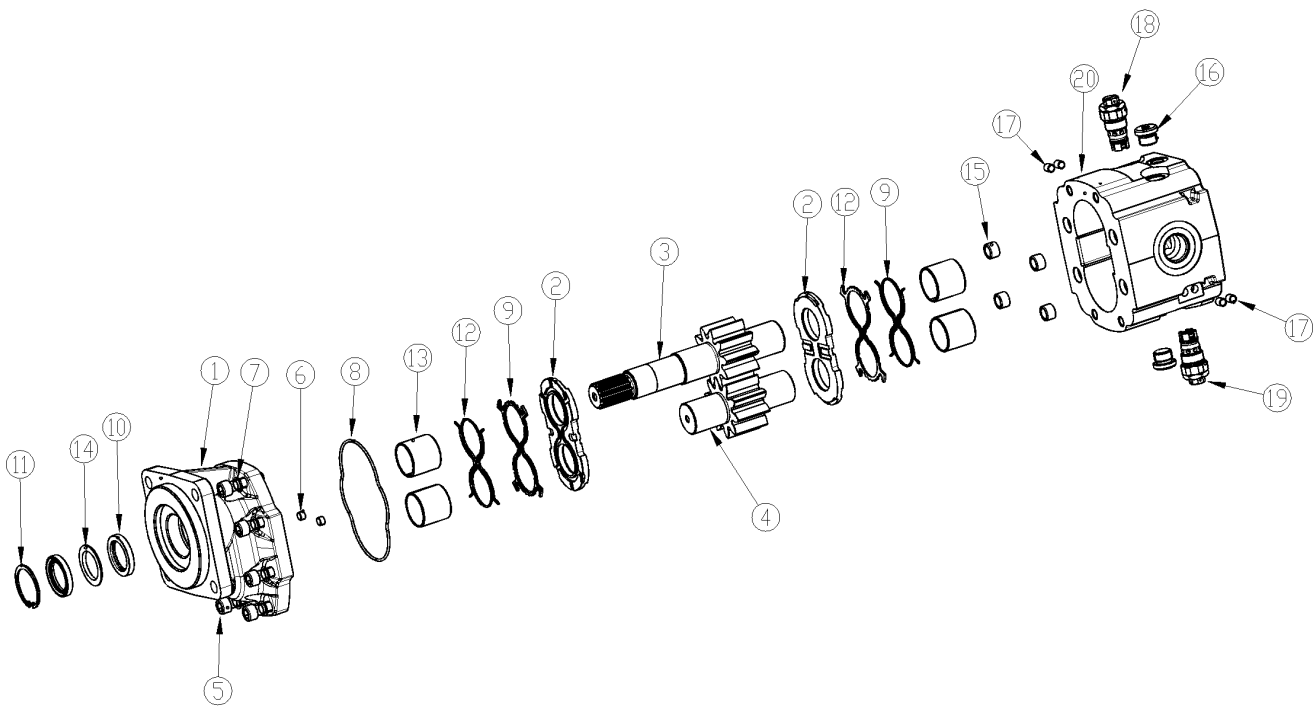
35580

Cassapa: Hydraulic Motor 9.2 Cubic Inch (810-835C) 3500 PSI**Applies to SBL2566 S/N 891530-, SBL2574 S/N 891530-, SBL2584 S/N 891530-**

Ref	Part No.	Part Description	Comments	Revision
	dwg35580	Drawing Image Number		
	810-835C	HYD. MOTOR, 9.20 CIR *		
1.	23267180	CSPA FRONT COVER FP40-0-S6		
2.	25937592	CSPA THRUST PLATE FP/R AI MACH		
3.	32748436	CSPA DRVEN SHFT K-F40.151-06/6		
4.	32748491	CSPA DRIVEN GEAR FP40.151/F		
5.	35921500	CSPA SCREW TCEI M 12X45		
6.	37185000	GRUB SCREW 1/8		
7.	37810000	CSPA WASHER KNURLED 12		
8.	39166000	CSPA ORING SEAL PH 2-159		
9.	39656230	CSPA SEAL FP40		
10.	40030000	SHAFT SEAL BAUD2 35X50X7		
11.	40880000	CSPA RING 50 UNI 7437		
12.	41387250	CSPA ANTIEXTRUSION RING Z		
13.	42425000	CSPA SLEEVE BRG DU F40		
14.	45700000	CSPA BACK UP WASHER GR.4		
15.	49324500	CSPA STEEL BUSHES 18X12		
16.	49468030	CSPA STEEL PLUG TCEI 6 1/2		
17.	49591070	PLG KSA CVMS0093110A (DIA 9MM)		
18.	95155002	CSPA CARTRIDGE P(G4-210)		
19.	95155003	CSPA CARTRIDGE P(G3-150)		
20.	PRC07711	CSPA G. HOUSING KP40.151		

Cassapa: Hydraulic Motor Medium Flow (810-832C)

Applies to SBL2566 S/N 891530-, SBL2574 S/N 891530-, SBL2584 S/N 891530-



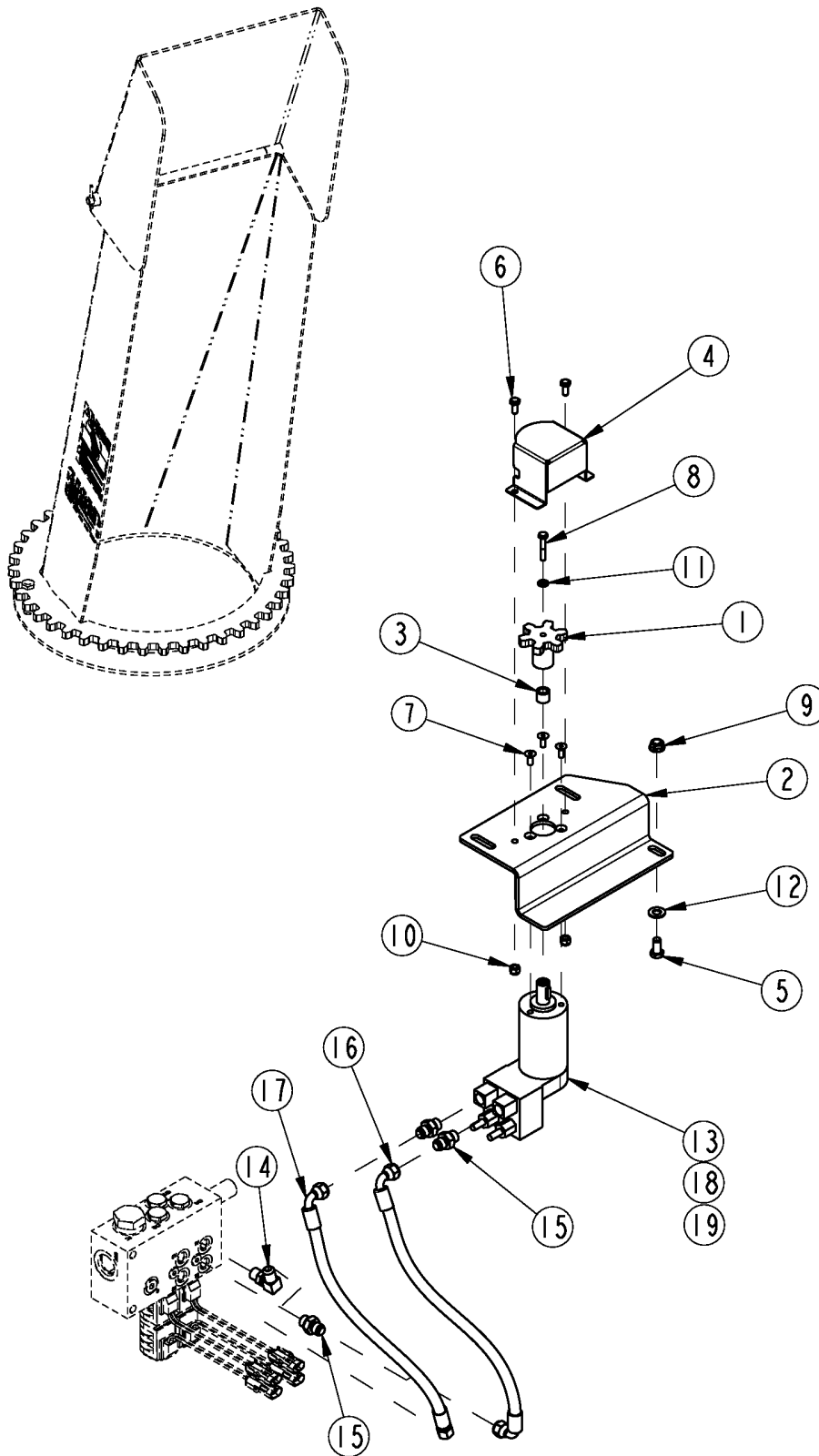
35579

Cassapa: Hydraulic Motor Medium Flow (810-832C)**Applies to SBL2566 S/N 891530-, SBL2574 S/N 891530-, SBL2584 S/N 891530-**

Ref	Part No.	Part Description	Comments	Revision
	dwg35579 810-832C	Drawing Image Number HYD MOTOR, 7.43 CIR *		
1.	23267180	CSPA FRONT COVER FP40-0-S6		
2.	25937592	CSPA THRUST PLATE FP/R AI MACH		
3.	32748433	DRIVE SHAFT K-F40.121-06/6		
4.	32748487	DRIVEN GEAR FP40.121/F		
5.	35921500	CSPA SCREW TCEI M 12X45		
6.	37185000	GRUB SCREW 1/8		
7.	37810000	CSPA WASHER KNURLED 12		
8.	39166000	CSPA ORING SEAL PH 2-159		
9.	39656230	CSPA SEAL FP40		
10.	40030000	SHAFT SEAL BAUD2 35X50X7		
11.	40880000	CSPA RING 50 UNI 7437		
12.	41387250	CSPA ANTIEXTRUSION RING Z		
13.	42425000	CSPA SLEEVE BRG DU F40		
14.	45700000	CSPA BACK UP WASHER GR.4		
15.	49324500	CSPA STEEL BUSHES 18X12		
16.	49468030	CSPA STEEL PLUG TCEI 6 1/2		
17.	49591070	PLG KSA CVMS0093110A (DIA 9MM)		
18.	95155002	CSPA CARTRIDGE P(G4-210)		
19.	95155003	CSPA CARTRIDGE P(G3-150)		
20.	PRC07710	BODY KP40.121		

Chute Rotation Hydraulics

Applies to SBL2566 S/N 891530-, SBL2574 S/N 891530-, SBL2584 S/N 891530-



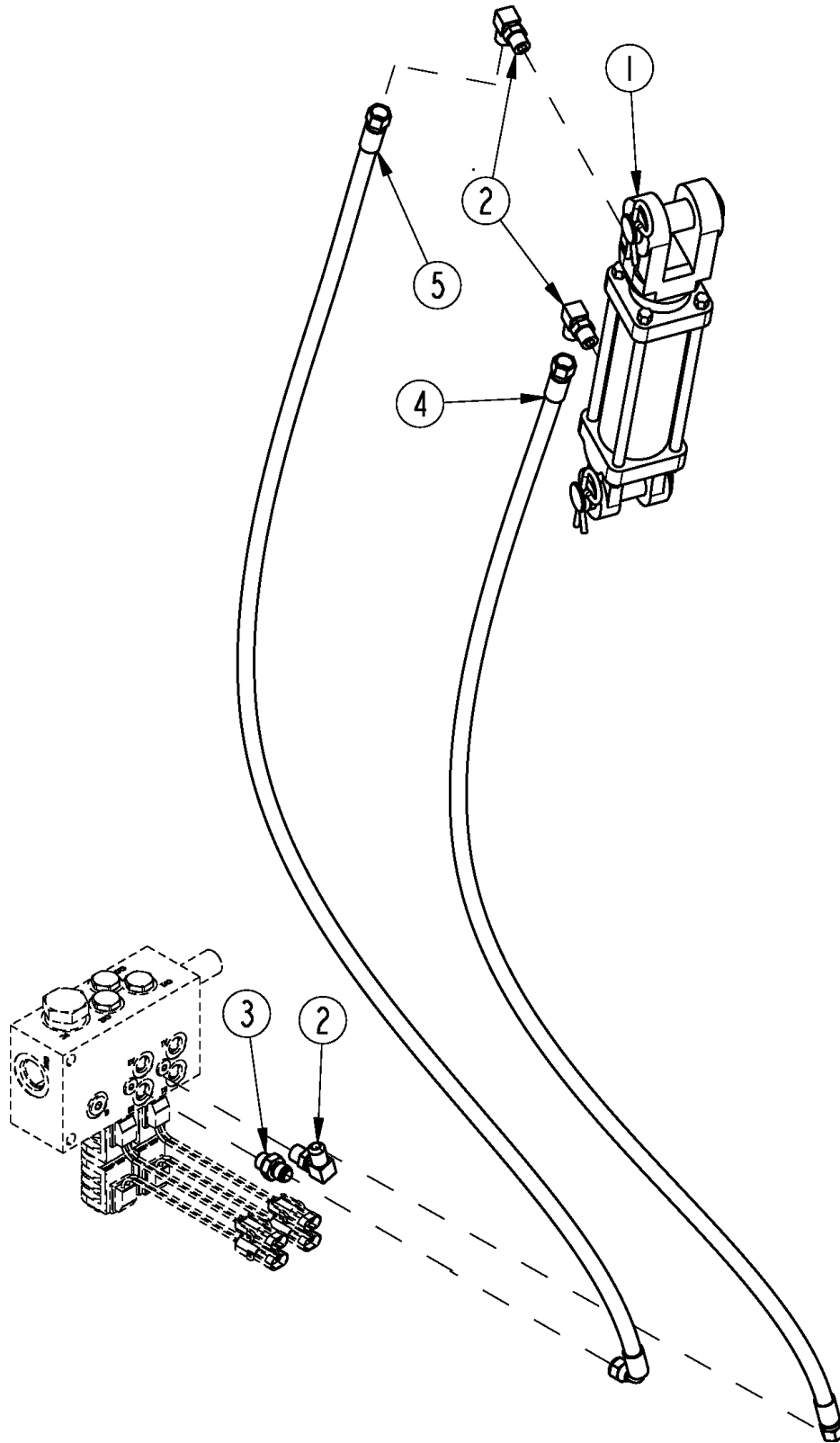
35571

Chute Rotation Hydraulics**Applies to SBL2566 S/N 891530-, SBL2574 S/N 891530-, SBL2584 S/N 891530-**

Ref	Part No.	Part Description	Comments	Revision
	dwg35571	Drawing Image Number		
1.	370-294H	DRIVE GEAR ROTATION		
2.	370-399D	MOTOR MOUNT HYD		
3.	370-533D	GEAR SPACER		
4.	370-534D	GEAR GUARD		
5.	802-014C	HHCS 3/8-16X3/4 GR5		
6.	802-078C	HHCS 1/4-20X5/8 GR5		
7.	802-939C	HSFCHCS M6X1X16 GR10.9		
8.	802-952C	HHCS M6X1X35 GR8.8		
9.	803-209C	NUT FLANGE LOCK 3/8-16 PLT		
10.	803-255C	NUT HEX NYLOCK 1/4-20		
11.	804-006C	WASHER LOCK SPRING 1/4 PLT		
12.	804-012C	WASHER FLAT 3/8 SAE PLT		
13.	810-751C	HYD MOTOR W/CROSS RELIEF		
14.	811-065C	EL 9/16MJIC 9/16MORB		
15.	811-170C	AD 9/16MORB 9/16MJIC		
16.	841-603C	HH1/4R2 17.8 .56FJICSWPT90		
17.	841-610C	HH1/4R2 16.23 .56FJIC/SWPT90		
18.	ZHSK-EBMM	SEAL KIT FOR EBMM MOTORS		
19.	SK-SCR0622000A	SEAL KIT FOR CUSHION JCK06-22-00		

Chute Tilt Hydraulics

Applies to SBL2566 S/N 891530-, SBL2574 S/N 891530-, SBL2584 S/N 891530-



35570

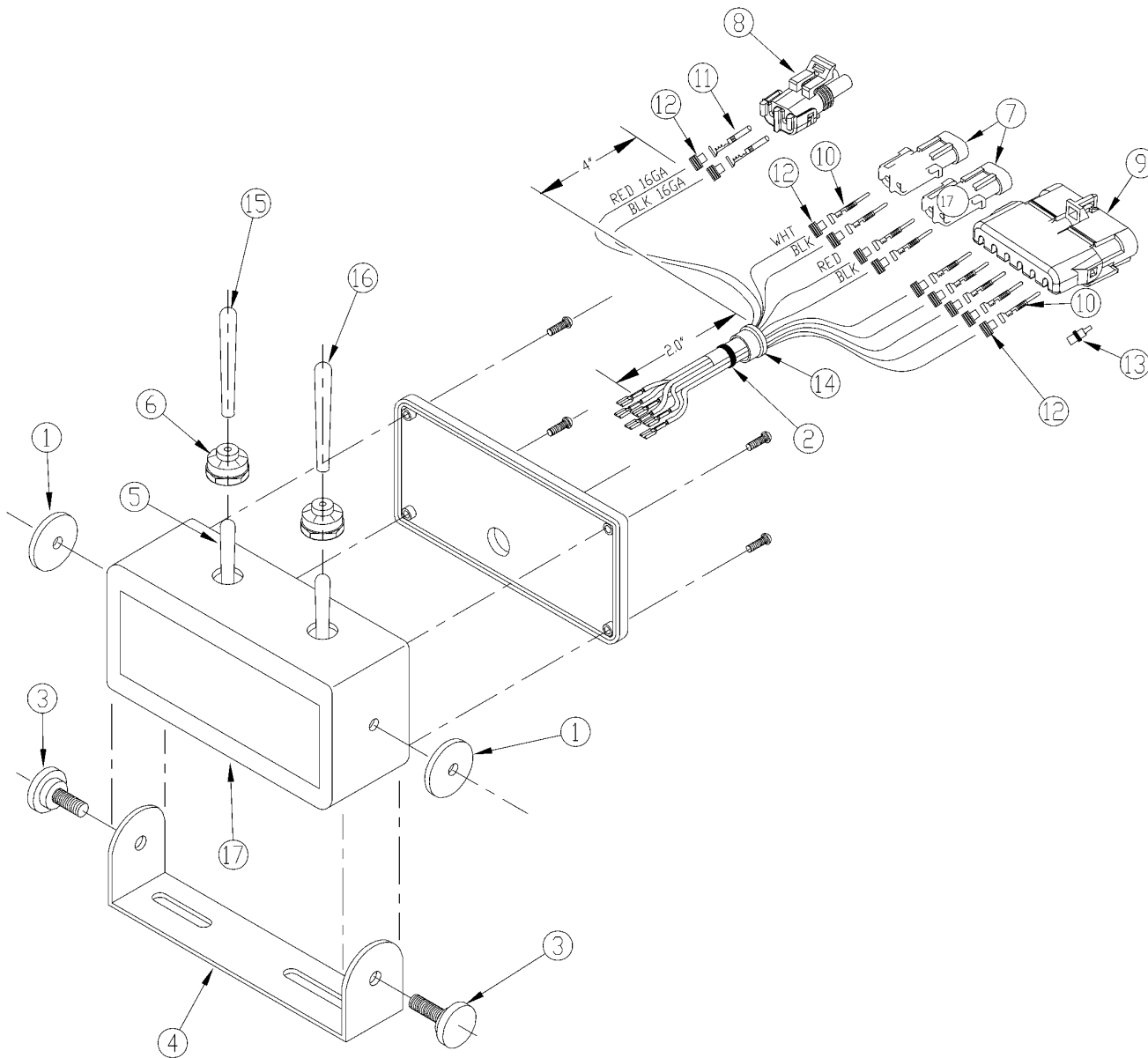
Chute Tilt Hydraulics

Applies to SBL2566 S/N 891530-, SBL2574 S/N 891530-, SBL2584 S/N 891530-

Ref	Part No.	Part Description	Comments	Revision
	dwg35570	Drawing Image Number		
1.	810-125C	CYL 2X4X1.12 ROD DBL ACTING		
2.	811-065C	EL 9/16MJIC 9/16MORB		
3.	811-170C	AD 9/16MORB 9/16MJIC		
4.	841-658C	HH1/4R2 45.31 9/16FJIC		
5.	841-659C	HH1/4R2 55.3 .56FJIC (1)90		

Control Box (823-377C)

Applies to SBL2566 S/N 891530-, SBL2574 S/N 891530-, SBL2584 S/N 891530-



33091

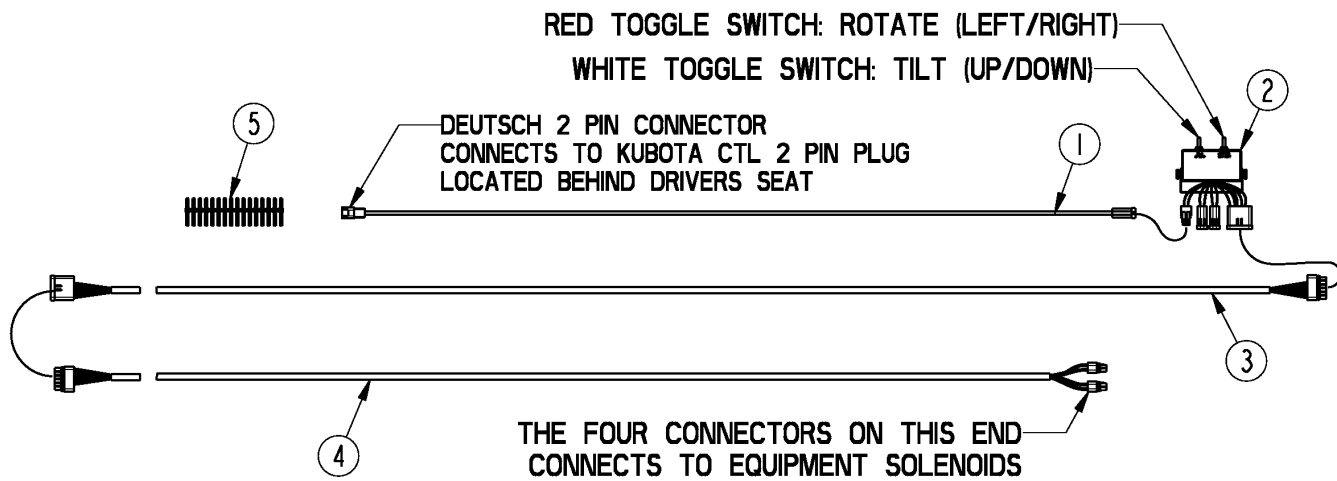
Control Box (823-377C)

Applies to SBL2566 S/N 891530-, SBL2574 S/N 891530-, SBL2584 S/N 891530-

Ref	Part No.	Part Description	Comments	Revision
	dwg33091 823-377C	Drawing Image Number CONTROL BOX SNOW BLOWER *		
1.	213-005	FASSE WSHR RBR1ODX1/4IDX1/16TK		
2.	800-303C	CABLE TIE 2 DIA MIN - BLK		
3.	219-007	FASSE SCR THUMB BLK 1/4-20X1/2		
4.	219-009	FASSE BRKT ALM 4.70 #1591C		
5.	250-007	FASSE SW TOG DPDT 3P MOM SHORT		
6.	250-023	FASSE SW TOG BOOT OPN BLK		
7.	255-092	FASSE CNTR WP 2 PIN SHROUD		
8.	255-093	WEATHERPACK CTR 2 PIN SHROUD		
9.	255-098	CNTR WP 6 PIN SHROUD		
10.	255-102	WEATHERPACK CTR MALE TRM 14/16		
11.	255-103	WEATHERPACK CNTR F TRM 14/16		
12.	255-104	WEATHERPACK CNTR CABLE SEAL GR		
13.	255-186	CNTR WP CAVITY PLUG		
14.	259-001	FASSE GROMMET .5000D SNAP		
15.	259-004	FASSE SW TOG GRP VNYL WHT .187		
16.	259-005	FASSE SW TOG GRP VNYL RED .187		
17.	304-345	ECL 1591CBK/6060A-2X1/2SWSXTSX		

Control Harness Kubota Skid W/ 2-Pin Power Supply

Applies to SBL2566 S/N 891530-, SBL2574 S/N 891530-, SBL2584 S/N 891530-



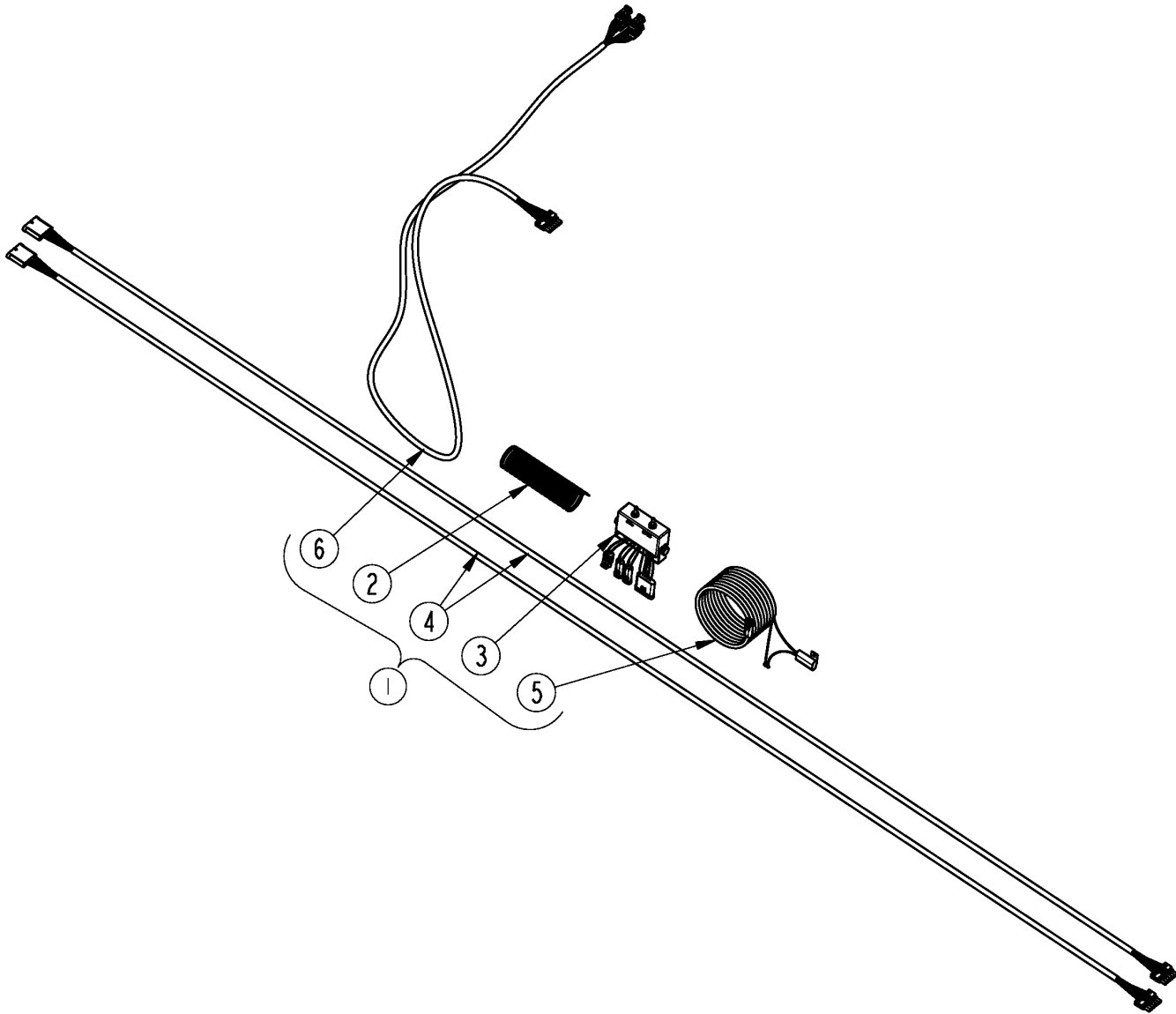
Control Harness Kubota Skid W/ 2-Pin Power Supply

Applies to SBL2566 S/N 891530-, SBL2574 S/N 891530-, SBL2584 S/N 891530-

Ref	Part No.	Part Description	Comments	Revision
	dwg37144	Drawing Image Number		
	370-434A	CONTROL HARNESS KUBOTA SKID		
1.	823-439C	HRN DTP04-2P 14GA 2WPS /5'		
2.	823-377C	CONTROL BOX 2 PRIORITY		
3.	823-385C	HARNESS EXTENSION		
4.	823-405C	HARNESS SOLENOID 2 PRIORITY		
5.	800-112C	CABLE TIE .19X7.25 1.75D 50LB		

Control Harness Skid

Applies to SBL2566 S/N 891530-, SBL2574 S/N 891530-, SBL2584 S/N 891530-



35578

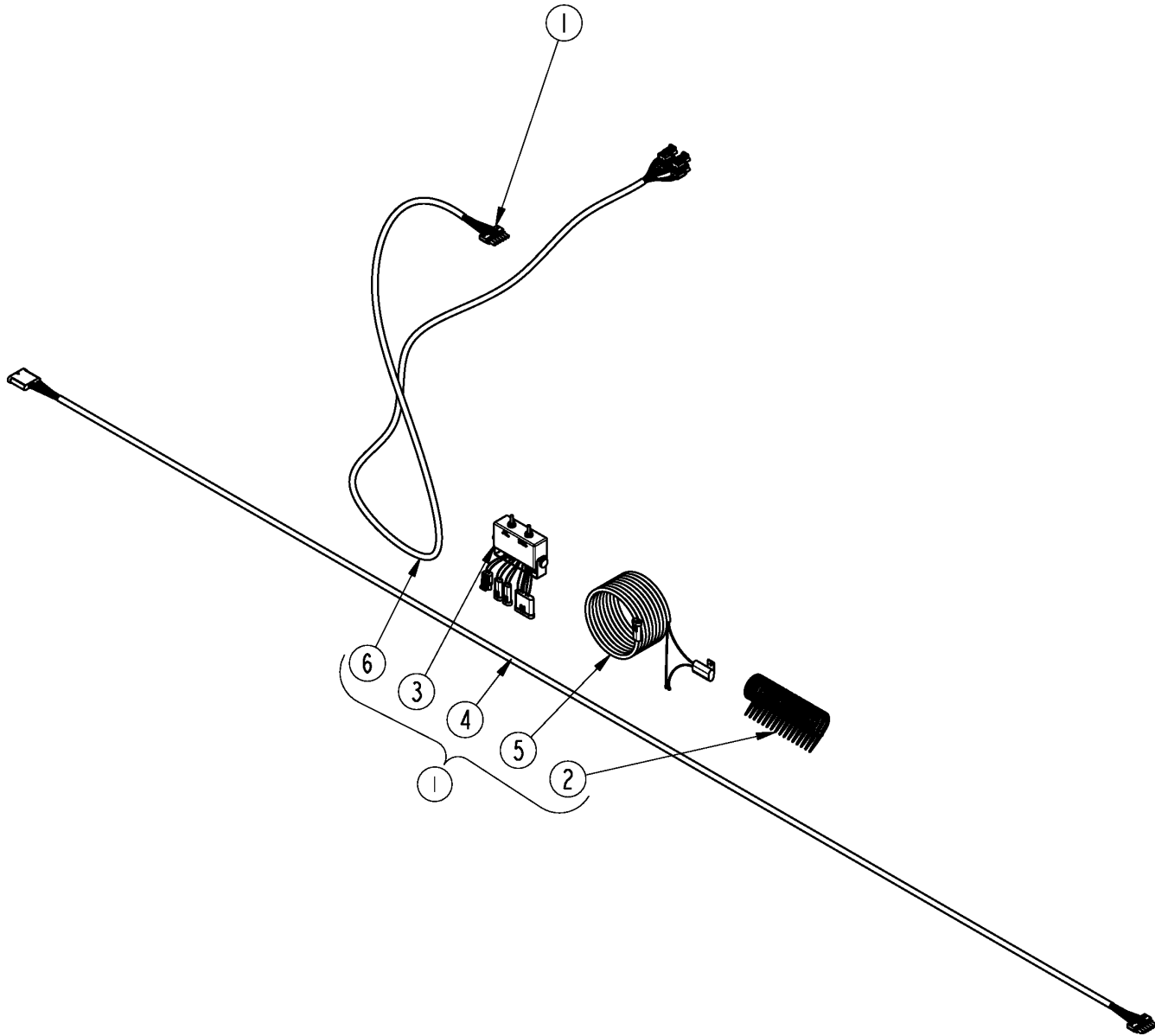
Control Harness Skid

Applies to SBL2566 S/N 891530-, SBL2574 S/N 891530-, SBL2584 S/N 891530-

Ref	Part No.	Part Description	Comments	Revision
	dwg35578	Drawing Image Number		
1.	370-134A	CONTROL HARNESS SKID		
2.	800-112C	CABLE TIE .19X7.25 1.75D 50LB		
3.	823-377C	CONTROL BOX 2 PRIORITY		
4.	823-385C	HARNESS EXTENSION		
5.	823-386C	HARNESS, POWER		
6.	823-405C	HARNESS SOLENOID 2 PRIORITY		

Control Harness Tractor

Applies to SBL2566 S/N 891530-, SBL2574 S/N 891530-, SBL2584 S/N 891530-



35577

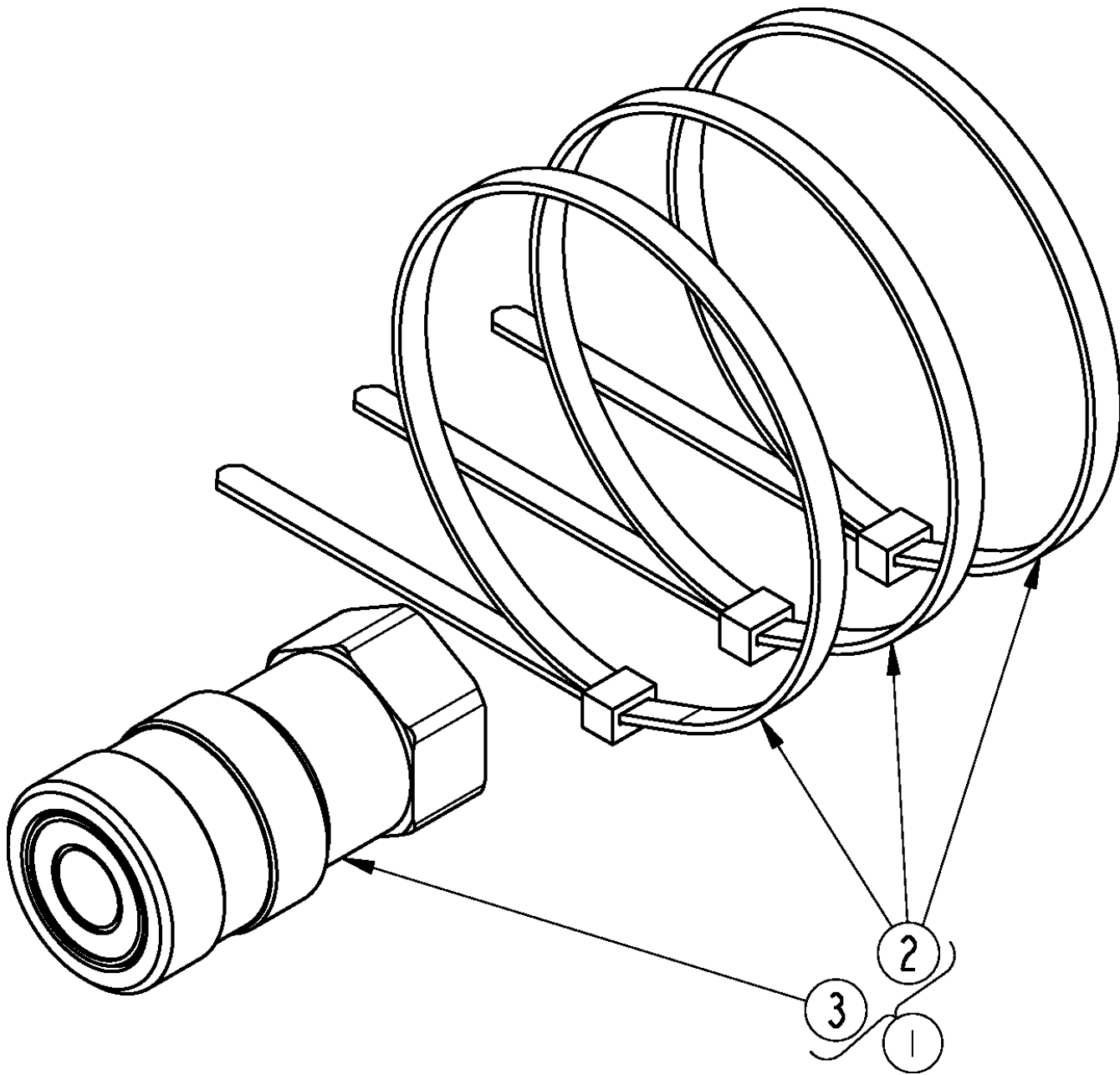
Control Harness Tractor

Applies to SBL2566 S/N 891530-, SBL2574 S/N 891530-, SBL2584 S/N 891530-

Ref	Part No.	Part Description	Comments	Revision
	dwg35577	Drawing Image Number		
1.	370-133A	CONTROL HARNESS TRACTOR		
2.	800-112C	CABLE TIE .19X7.25 1.75D 50LB		
3.	823-377C	CONTROL BOX 2 PRIORITY		
4.	823-385C	HARNESS EXTENSION		
5.	823-386C	HARNESS, POWER		
6.	823-405C	HARNESS SOLENOID 2 PRIORITY		

CTL Case Drain Coupler Package

Applies to SBL2566 S/N 891530-, SBL2574 S/N 891530-, SBL2584 S/N 891530-



35611

CTL Case Drain Coupler Package

Applies to SBL2566 S/N 891530-, SBL2574 S/N 891530-, SBL2584 S/N 891530-

Ref	Part No.	Part Description	Comments	Revision
	dwg35611	Drawing Image Number		
1.	326-474A	CTL/SS COUPLER PACKAGE		
2.	800-060C	CABLE TIE .19X14.25 3DIA 50LB		
3.	841-539C	CP 3/8 FEMALE QD 3/8FNPT		

Eaton Hydraulic Motor 5.5 Cubic Inch (850-026C)

Applies to SBL2566 S/N 891530-, SBL2574 S/N 891530-, SBL2584 S/N 891530-

No diagram associated with this Parts List

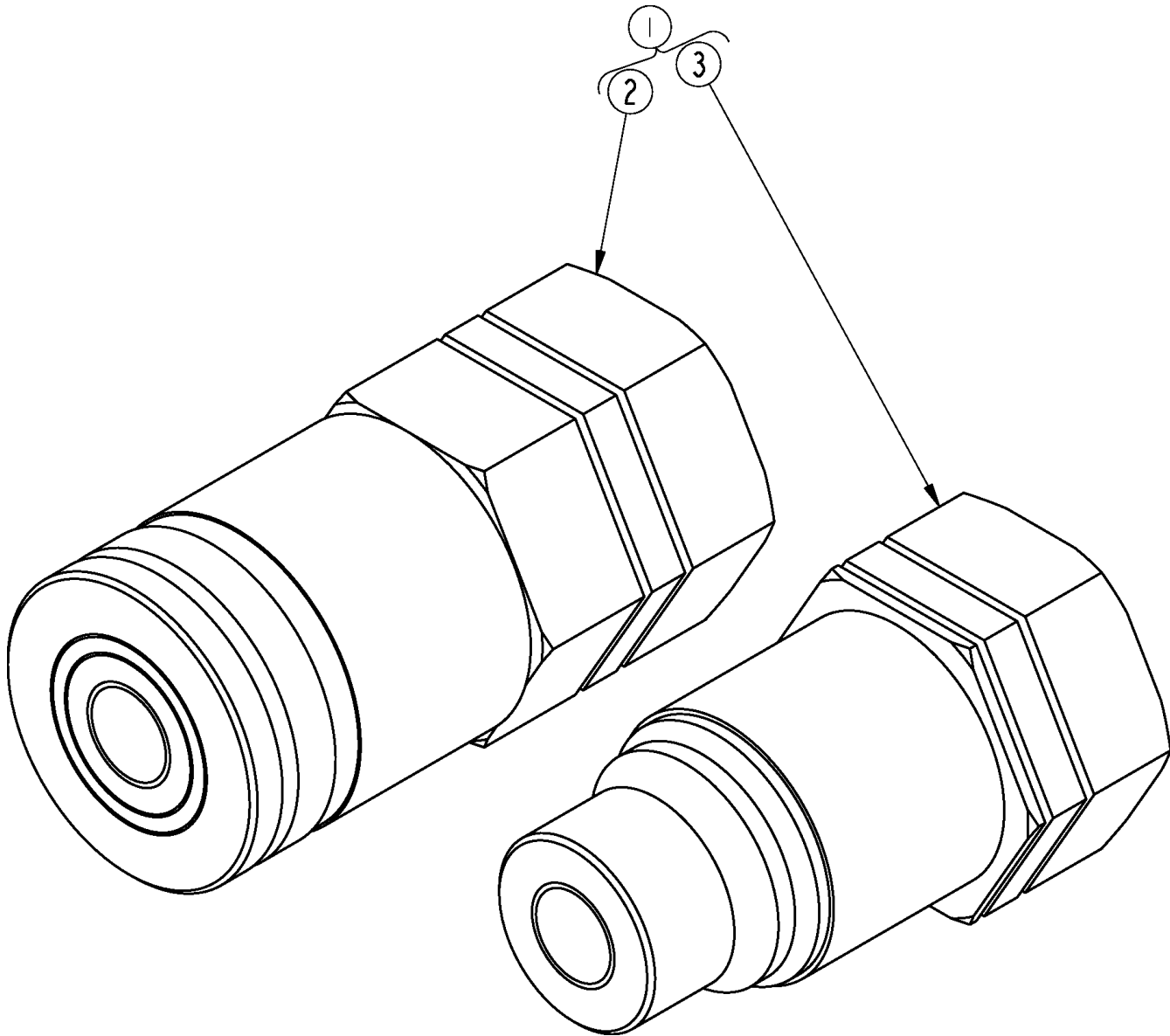
Eaton Hydraulic Motor 5.5 Cubic Inch (850-026C)

Applies to SBL2566 S/N 891530-, SBL2574 S/N 891530-, SBL2584 S/N 891530-

No Parts List associated with this diagram

Flat Faced Couplers Large

Applies to SBL2566 S/N 891530-, SBL2574 S/N 891530-, SBL2584 S/N 891530-



35576

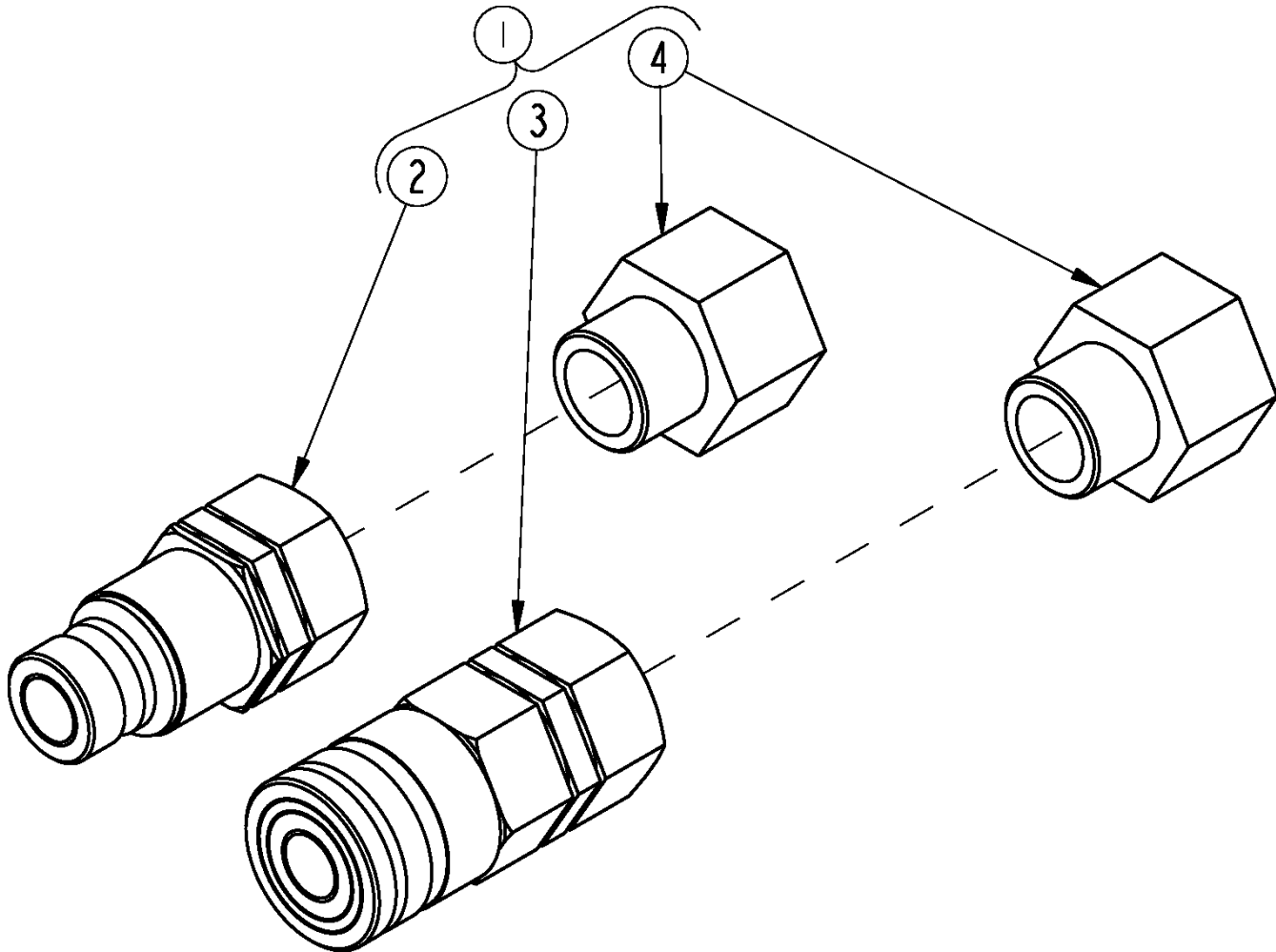
Flat Faced Couplers Large

Applies to SBL2566 S/N 891530-, SBL2574 S/N 891530-, SBL2584 S/N 891530-

Ref	Part No.	Part Description	Comments	Revision
	dwg35576	Drawing Image Number		
1.	316-289A	LARGE FLAT FACED COUPLERS		
2.	841-957C	CP 1 5/16FORB FEMALE QD		
3.	841-958C	CP 1 5/16FORB MALE QD		

Flat Faced Couplers Small

Applies to SBL2566 S/N 891530-, SBL2574 S/N 891530-, SBL2584 S/N 891530-



35575

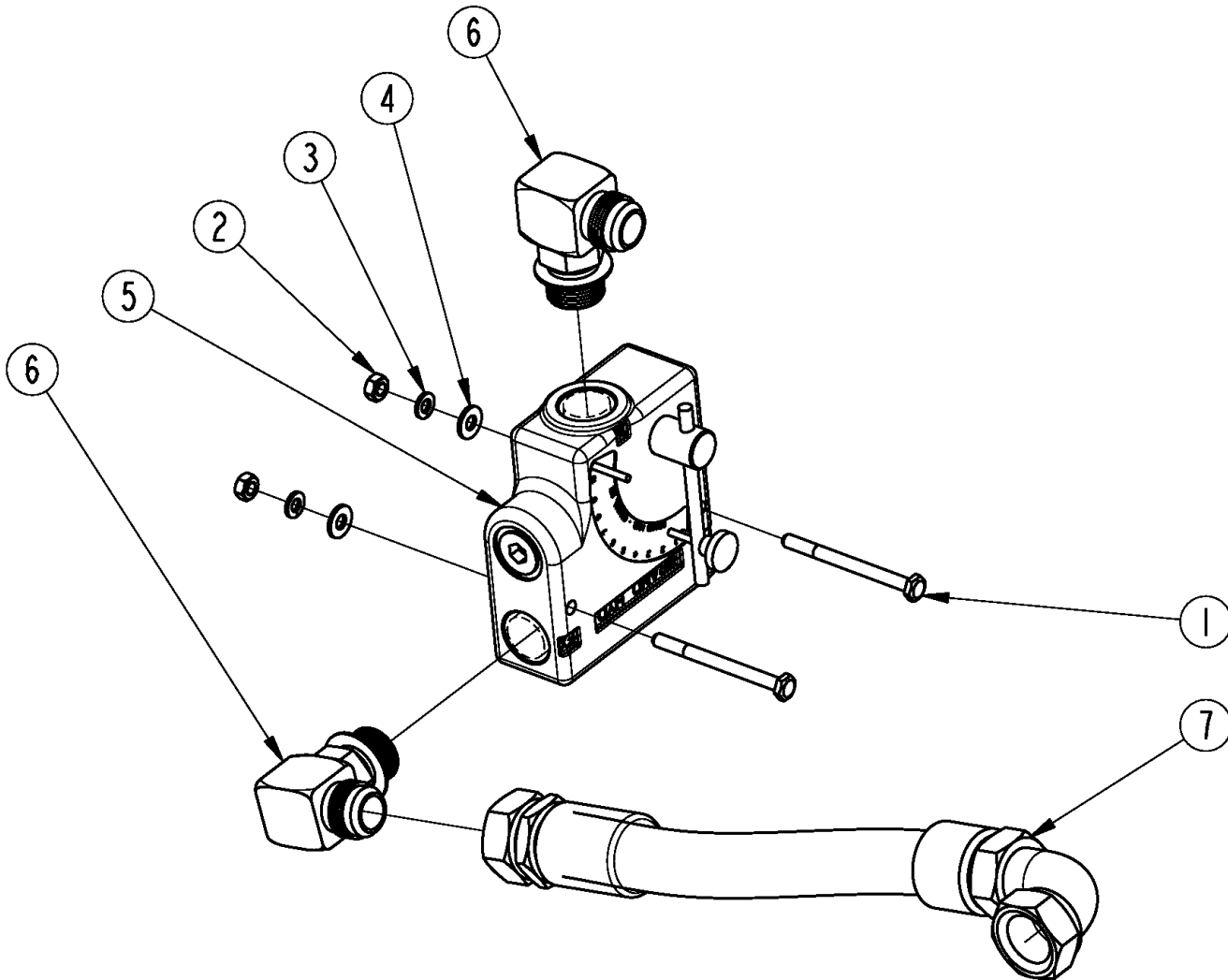
Flat Faced Couplers Small

Applies to SBL2566 S/N 891530-, SBL2574 S/N 891530-, SBL2584 S/N 891530-

Ref	Part No.	Part Description	Comments	Revision
	dwg35575	Drawing Image Number		
1.	316-290A	SMALL FLAT FACED COUPLERS		
2.	811-744C	CP 1 1/16FORB MALE QUICK		
3.	811-745C	CP 1 1/16FORB FEMALE QUICK		
4.	851-102C	AD 1 5/16FORB 1 1/16MORB		

Flow Control Valve, Hose & Fittings

Applies to SBL2566 S/N 891530-, SBL2574 S/N 891530-, SBL2584 S/N 891530-



37377

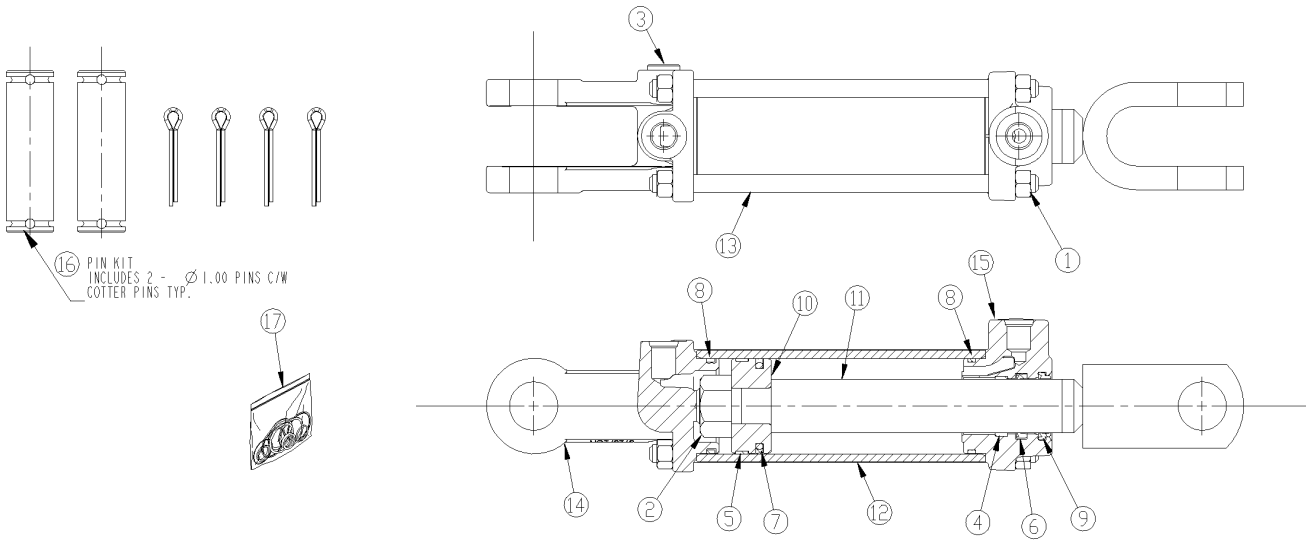
Flow Control Valve, Hose & Fittings

Applies to SBL2566 S/N 891530-, SBL2574 S/N 891530-, SBL2584 S/N 891530-

Ref	Part No.	Part Description	Comments	Revision
	dwg37377	Drawing Image Number		
1.	802-274C	HHCS 1/4-20X3 GR5		
2.	803-006C	NUT HEX 1/4-20 PLT		
3.	804-006C	WASHER LOCK SPRING 1/4 PLT		
4.	804-007C	WASHER FLAT 1/4 SAE PLT		
5.	810-836C	VALVE FLOW CONTROL		
6.	811-411C	EL 1 1/16MJIC 1 1/16MORB		
7.	841-656C	HH3/4R2 13.5 1.06FJIC(1)90		

Hydraulic Cylinder Double Acting (810-125C) Lion

Applies to SBL2566 S/N 891530-, SBL2574 S/N 891530-, SBL2584 S/N 891530-

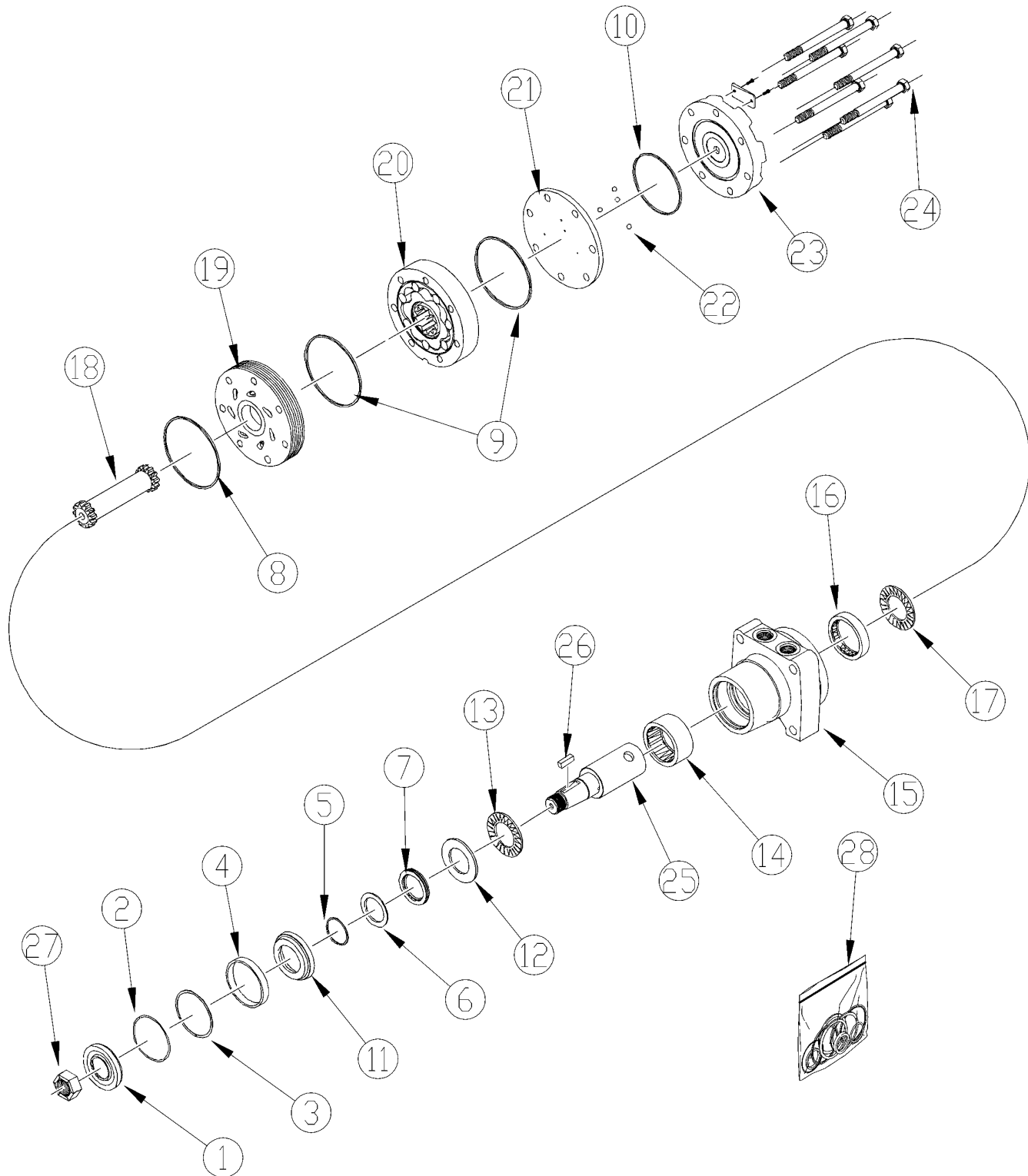


Hydraulic Cylinder Double Acting (810-125C) Lion**Applies to SBL2566 S/N 891530-, SBL2574 S/N 891530-, SBL2584 S/N 891530-**

Ref	Part No.	Part Description	Comments	Revision
	dwg13565	Drawing Image Number		
	810-125C	CYL 2X4X1.12 ROD DBL ACTING *		
1.	803-014C	NUT HEX 3/8-16 PLT		
2.	130556	MON PISTON NUT		
3.	186561	PLUG 9/16-18UNF MORB SOCKET HD		
4.	N/A	MON WEAR RING 1.25-1.13-0.250	In Seal Kit Item #17	
5.	N/A	MON WEAR RING 2.00-1.88-0.260	In Seal Kit Item #17	
6.	N/A	MON SEAL ZURCON U-CUP RU9 1.13	In Seal Kit Item #17	
7.	N/A	MON SEAL ZURCON WYNSEAL 2.00	In Seal Kit Item #17	
8.	N/A	MON SEAL DUAL 2.00-.170	In Seal Kit Item #17	
9.	N/A	MON SEAL WIPER 1.13 WNUC TSS	In Seal Kit Item #17	
10.	258851	MON PISTON 2.00-.75-TSS-ISO-WR		
11.	437208	LION ROD WLDMT 1 1/8X4 STROKE		
12.	491604	LION CYL. TUBE 2 X 4		
13.	492214	MON TIE ROD 3/8-04		
14.	492669	MON CLEVS CAP 2.00-9/16ORB-1.0		
15.	494382	MON ROD CAP 2.0-1.12-9/16ORB-TS		
16.	235005	MON PIN KIT 1.00C/W COTTER PIN		
17.	810-883C	MON SEAL KIT 620271		

Hydraulic Motor 18 Cubic Inch (810-732C) 3500 PSI

Applies to SBL2566 S/N 891530-, SBL2574 S/N 891530-, SBL2584 S/N 891530-



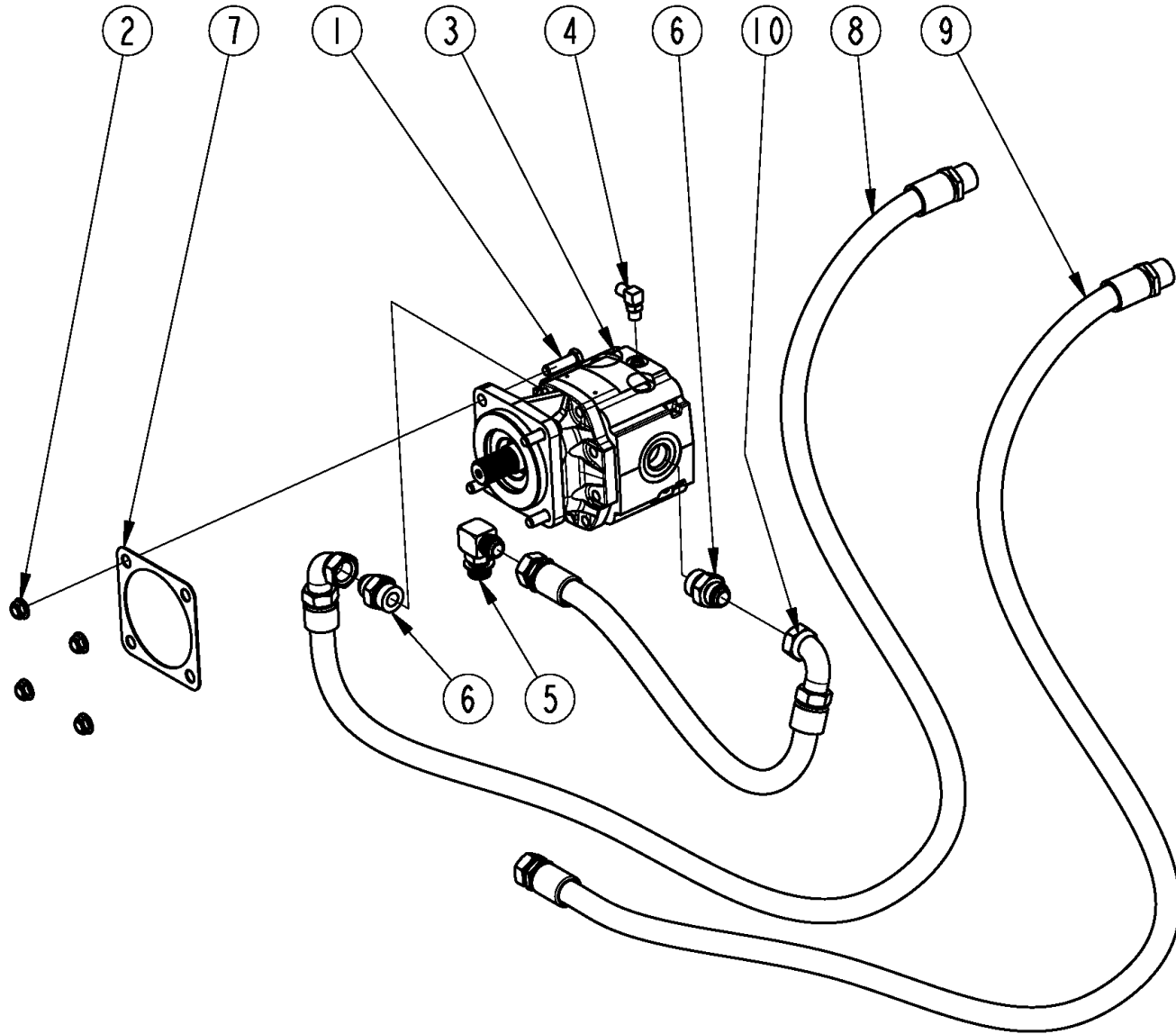
35510

Hydraulic Motor 18 Cubic Inch (810-732C) 3500 PSI**Applies to SBL2566 S/N 891530-, SBL2574 S/N 891530-, SBL2584 S/N 891530-**

Ref	Part No.	Part Description	Comments	Revision
	dwg35510 810-732C	Drawing Image Number HYD MTR 18 CID W/KEY - RE *		
1.	N/A	WH DUST SEAL	Found in Item #28	
2.	N/A	WIRE RING	Found in Item #28	
3.	N/A	METAL BACKUP SHIM	Found in Item #28	
4.	N/A	HIGH PRESSURE SHIM	Found in Item #28	
5.	N/A	METAL BACKUP SHIM	Found in Item #28	
6.	N/A	POLYAMIDE SEAL	Found in Item #28	
7.	N/A	SHAFT SEAL	Found in Item #28	
8.	N/A	REAR HOUSING SEAL	Found in Item #28	
9.	N/A	BODY SEAL	Found in Item #28	
10.	N/A	END COVER SEAL	Found in Item #28	
11.	N/A	SEAL CARRIER	Found in Item #28	
12.	N/A	THRUST WASHER	Found in Item #28	
13.	500018252	WH FRONT THRUST BRG		
14.	500018003	WH FRONT HOUSING BRG		
15.	500130723	WH WHEEL MOUNT W/7/8" O-RING	Includes Items # 14 & 16	
16.	500018002	WH REAR HOUSING BRG		
17.	500018059	WH REAR THRUST BRG		
18.	500014007	WH DRIVE LINK		
19.	500015006	WH FORWARD MANIFOLD		
20.	500307005	WH ROTOR KIT		
21.	500012001	WH BALANCE PLATE		
22.	500018048	WH STEEL BALLS (3)		
23.	500016001	WH ENDCOVER		
24.	500445018	WH BOLTS (7)		
25.	500011300	WH 1-1/4" TAPERED SHAFT		
26.	500449101	WH KEY KIT		
27.	300339303P	WHITE NUT KIT		
28.	500444001	WH SEAL KIT		

Hydraulic Motor and Hoses (Cassapa Motors)

Applies to SBL2566 S/N 891530-, SBL2574 S/N 891530-, SBL2584 S/N 891530-



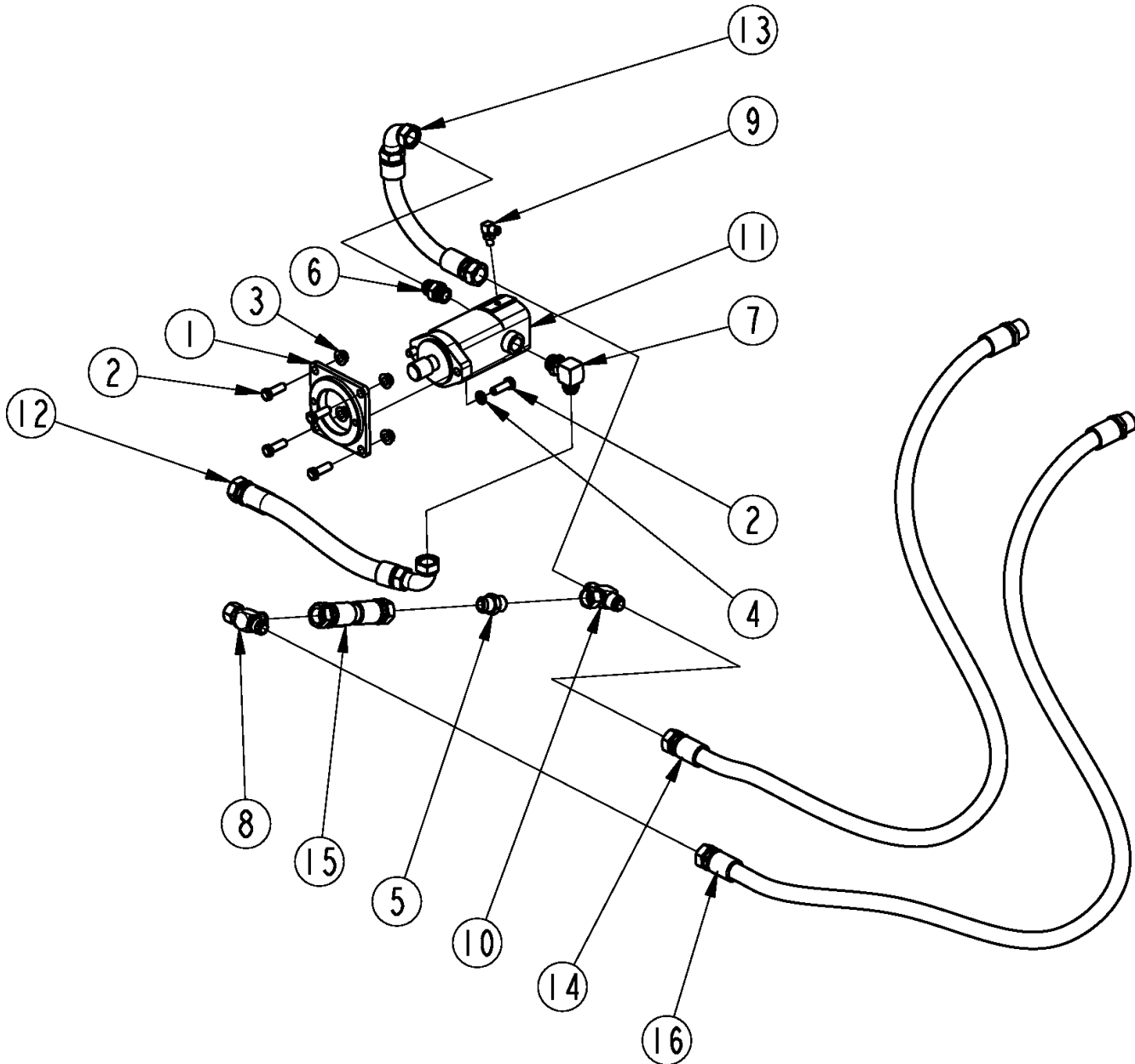
35573

Hydraulic Motor and Hoses (Cassapa Motors)**Applies to SBL2566 S/N 891530-, SBL2574 S/N 891530-, SBL2584 S/N 891530-**

Ref	Part No.	Part Description	Comments	Revision
	dwg 35573	Drawing Image Number		
	370-253A	RPBY 370-528A		
	370-254A	MOTOR BUNDLE HYD 20-26 GPM		
	370-255A	MOTOR BUNDLE HYD 27-33 GPM		
	*			
1.	802-082C	HHCS 1/2-13X1 3/4 GR5		
2.	803-169C	NUT HEX FLG LOCK 1/2-13 PLT		
3.	810-837C	RPBY 370-528A	LOW FLOW	
3.	810-835C	HYD. MOTOR, 9.20 CIR	MEDIUM FLOW	
3.	810-832C	HYD. MOTOR, 7.43 CIR	HIGH FLOW	
4.	811-062C	OREL 1/32 9/16MJIC 9/16MORB		
5.	811-411C	EL 1 1/16MJIC 1 1/16MORB		
6.	811-567C	AD 1 1/16MJIC 1 5/16MORB		
7.	816-182C	GASKET - MOTOR		
8.	841-651C	HH3/4R16 91 1.31MOR1.06FJC 90		
9.	841-655C	HH3/4R16 79 1.31MOR1.06FJIC		
10.	841-679C	HH3/4R16 26.5 1.06FJIC 1 90		

Hydraulic Motor Assembly (Eaton Motors)

Applies to SBL2566 S/N 891530-, SBL2574 S/N 891530-, SBL2584 S/N 891530-

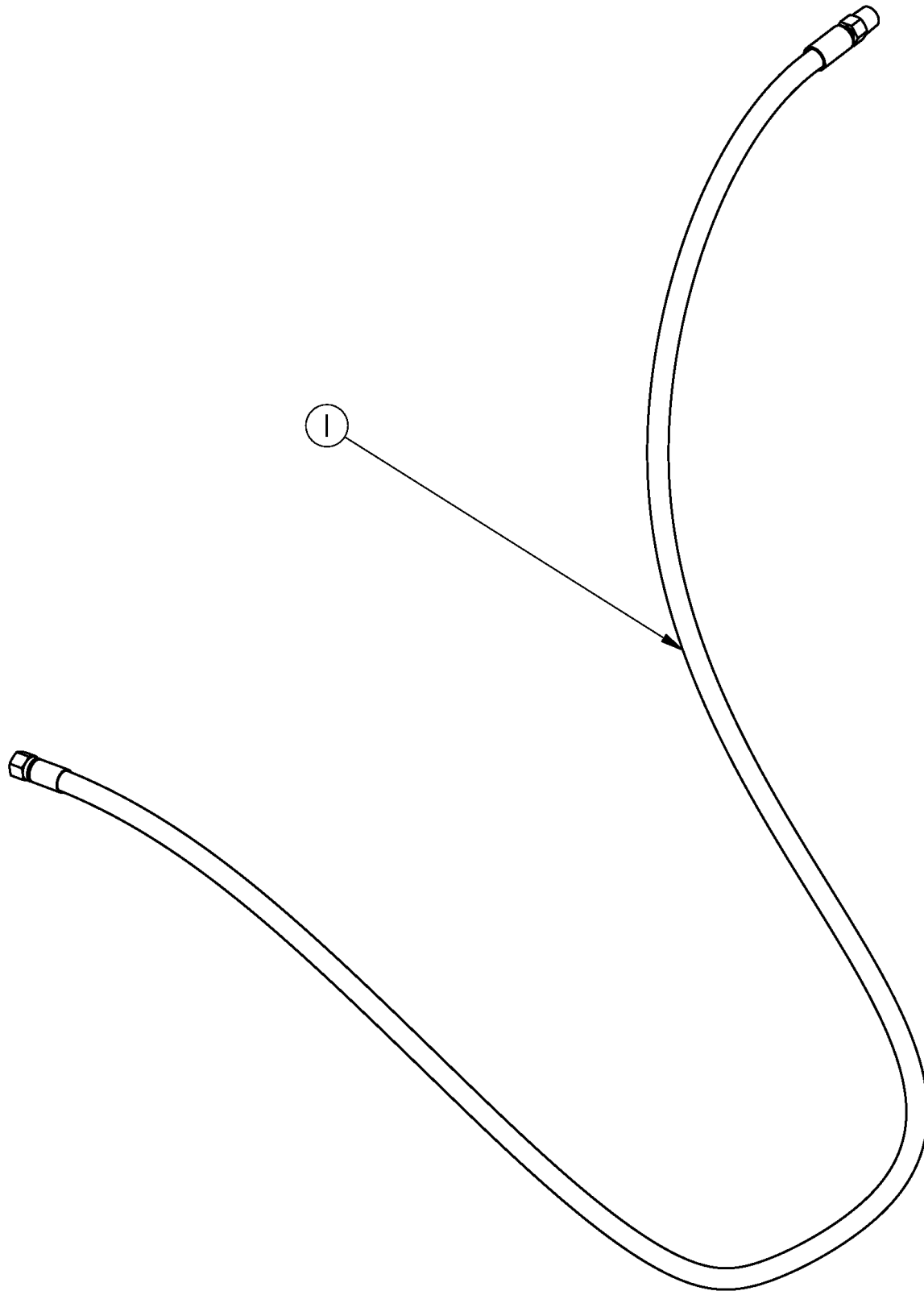


Hydraulic Motor Assembly (Eaton Motors)**Applies to SBL2566 S/N 891530-, SBL2574 S/N 891530-, SBL2584 S/N 891530-**

Ref	Part No.	Part Description	Comments	Revision
	Dwg 37371	Image No.		
	LP-370-528A	MOTOR BUNDLE HYD 12-19 GPM		
	*			
1.	LP-327-359D	ADAPTOR SAE C 4 BOLT TO SAE A		
2.	LP-802-091C	HHCS 1/2-13X1 1/2 GR5		
3.	LP-803-169C	NUT HEX FLG LOCK 1/2-13 PLT		
4.	LP-804-015C	WASHER LOCK SPRING 1/2 PLT		
5.	LP-810-715C	VALVE 3/4 IN-LINE CHECK		
6.	LP-811-408C	AD 1 1/16MORB 1 1/16MJIC		
7.	LP-811-411C	EL 1 1/16MJIC 1 1/16MORB		
8.	LP-841-269C	TEE 1.06FJIC 1.06MJIC 1.06MJIC		
9.	LP-841-468C	EL 9/16MJIC X 7/16MORB		
10.	LP-841-676C	TEE 1.06FJIC 1.06MJIC 1.06MJIC		
11.	LP-850-026C	HYD MOTOR 5.5 CUIN/REV 1.06FOR	12-19 GPM	
12.	LP-851-395C	HH3/4R2 17.1 1.06FJIC(1)SWT90		
13.	LP-851-396C	HH3/4R2 15.2 1.06FJIC FJIC90		
14.	LP-851-397C	HH3/4R2 75.2 1.06FJC1.31MORB		
15.	LP-851-398C	HH3/4R2 7 1.06FJIC		
16.	LP-851-399C	HH3/4R2 77.36 1.31MORB1.06FJIC		

Return to Sump Hose

Applies to SBL2566 S/N 891530-, SBL2574 S/N 891530-, SBL2584 S/N 891530-



37378

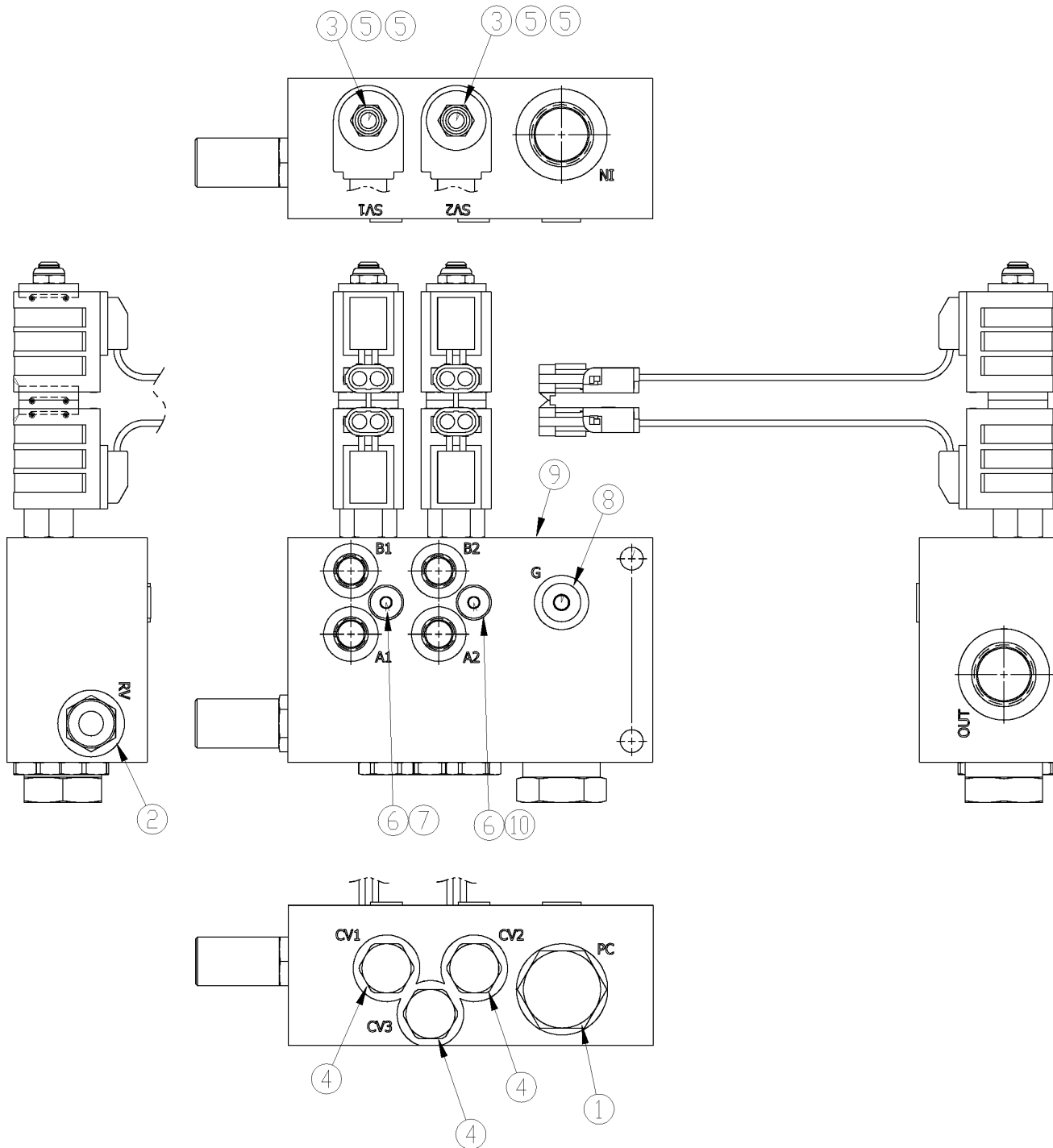
Return to Sump Hose

Applies to SBL2566 S/N 891530-, SBL2574 S/N 891530-, SBL2584 S/N 891530-

Ref	Part No.	Part Description	Comments	Revision
	dwg37378	Drawing Image Number		
1.	841-652C	HH3/8R2 83.5 3/8MNPT9/16FJIC		

Solenoid Valve (810-840)

Applies to SBL2566 S/N 891530-, SBL2574 S/N 891530-, SBL2584 S/N 891530-



37382

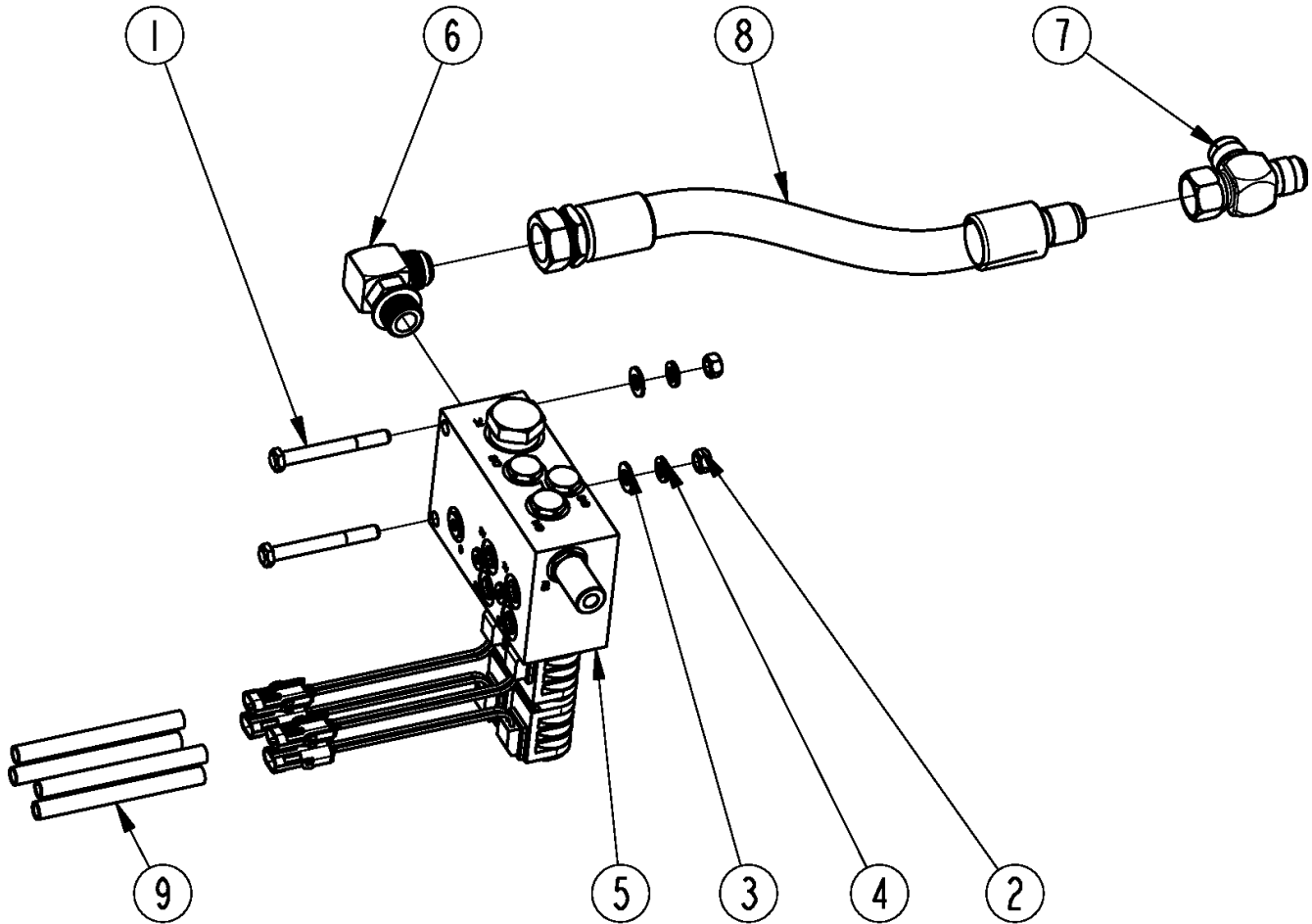
Solenoid Valve (810-840)

Applies to SBL2566 S/N 891530-, SBL2574 S/N 891530-, SBL2584 S/N 891530-

Ref	Part No.	Part Description	Comments	Revision
	dwg37382	Drawing Image Number		
1.	88400016	DELTA PRESSURE COMPENSATOR		
2.	86020673	DELTA RELIEF VALVE		
3.	86020379	DELTA 4W3P SOLENOID VALVE		
4.	86020133	DELTA CHECK VALVE		
5.	38400002	DELTA 12 VDC COIL, WITH DIODE		
6.	61010016	DELTA PLUG, #4 SAE, HEX SOC		
7.	61010033	DELTA ORIFICE PLUG (DIA. 060)		
8.	61010007	DELTA #6 SAE PLUG		
9.	30103150	DELTA MANIFOLD		
10.	61010034	DELTA ORIFICE PLUG (DIA. .052)		

Solenoid, Hose & Fittings

Applies to SBL2566 S/N 891530-, SBL2574 S/N 891530-, SBL2584 S/N 891530-



37376

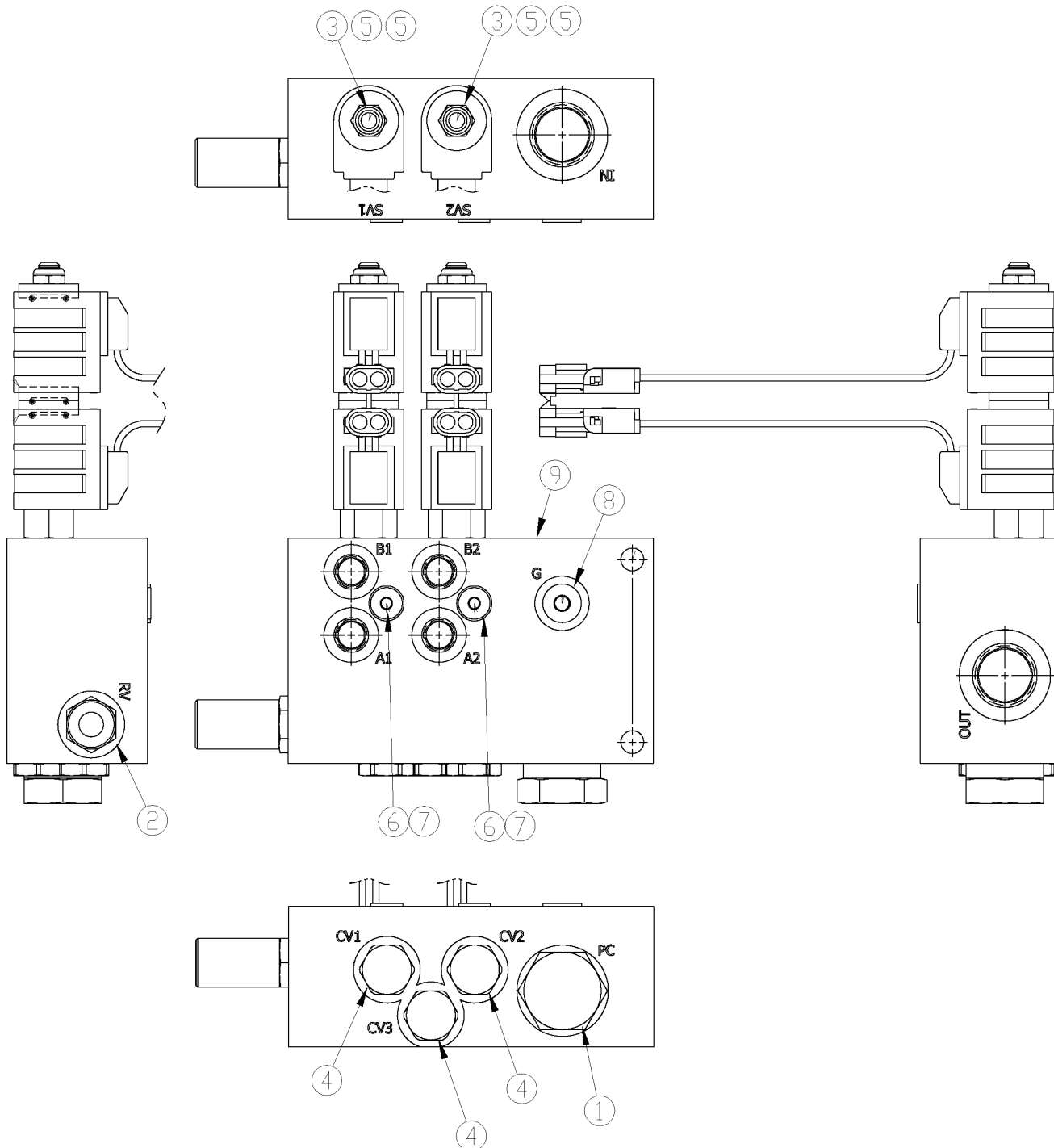
Solenoid, Hose & Fittings

Applies to SBL2566 S/N 891530-, SBL2574 S/N 891530-, SBL2584 S/N 891530-

Ref	Part No.	Part Description	Comments	Revision
	dwg37376	Drawing Image Number		
1.	802-168C	HHCS 3/8-16X3 1/4 GR5		
2.	803-014C	NUT HEX 3/8-16 PLT		
3.	804-012C	WASHER FLAT 3/8 SAE PLT		
4.	804-013C	WASHER LOCK SPRING 3/8 PLT		
5.	810-840C	VALVE 2 PRIORITY STUMP GRINDER		
6.	811-411C	EL 1 1/16MJIC 1 1/16MORB		
7.	841-269C	TEE 1.06FJIC 1.06MJIC 1.06MJIC		
8.	841-657C	HH3/4R2 16.65 1.06FJIC/MJIC		
9.	990-296R	CORRUGATED LOOM, 3/8 ID		

Valve Solenoid (810-716C)

Applies to SBL2566 S/N 891530-, SBL2574 S/N 891530-, SBL2584 S/N 891530-



35582

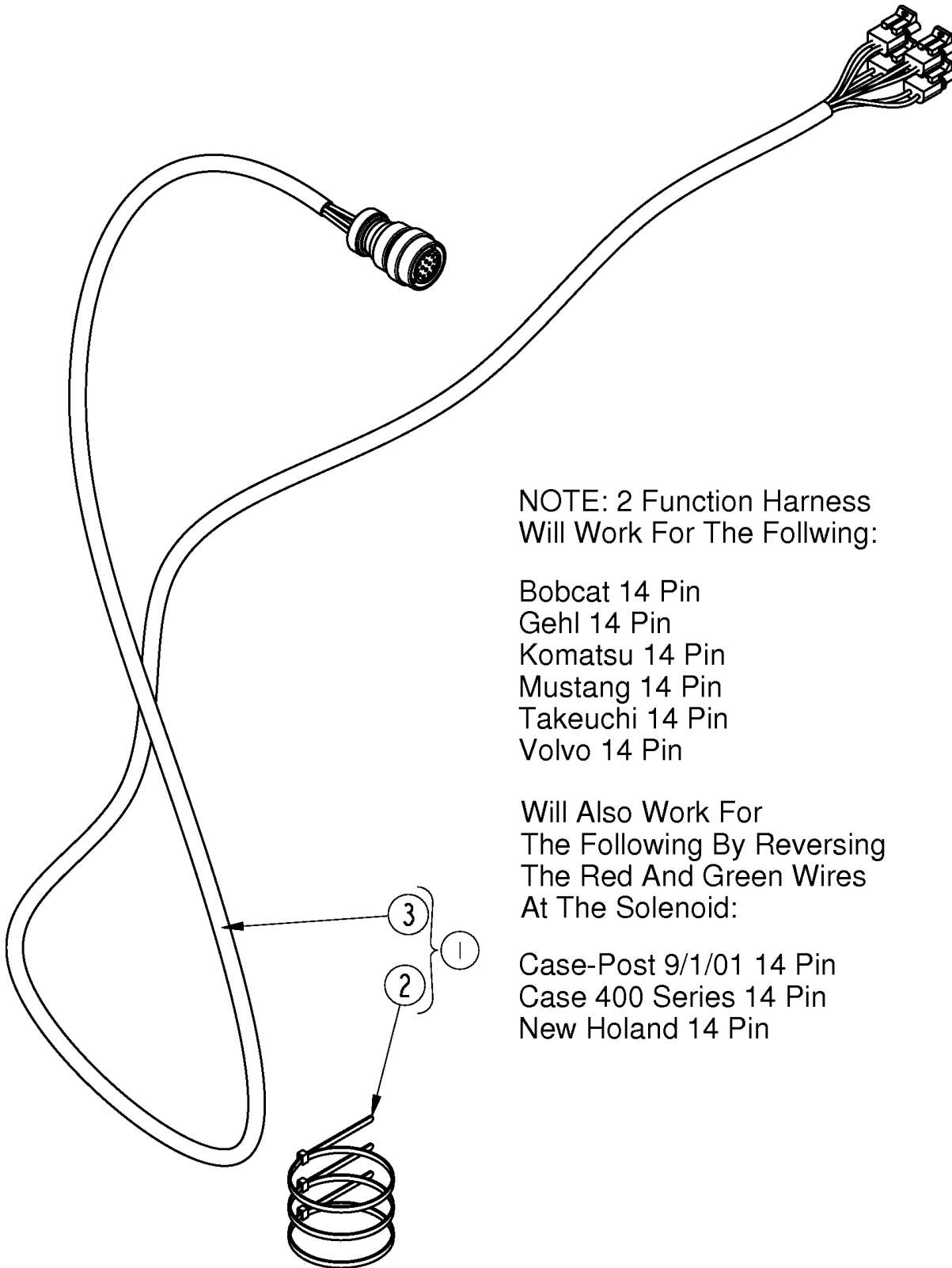
Valve Solenoid (810-716C)

Applies to SBL2566 S/N 891530-, SBL2574 S/N 891530-, SBL2584 S/N 891530-

Ref	Part No.	Part Description	Comments	Revision
	dwg35582	Drawing Image Number		
	810-716C	VALVE 2 PRIORITY SNOW BLOWER (RPBY 810-840C)	OBSOLETE (RPBY 810-840C)	
		*		
1.	88400016	DELTA PRESSURE COMPENSATOR		
2.	86020673	DELTA RELIEF VALVE		
3.	86020379	DELTA 4W3P SOLENOID VALVE		
4.	86020133	DELTA CHECK VALVE		
5.	38400002	DELTA 12 VDC COIL, WITH DIODE		
6.	61010016	DELTA PLUG, #4 SAE, HEX SOC		
7.	61010050	DELTA ORFICE PLUG (DIA .047)		
8.	61010007	DELTA #6 SAE PLUG		
9.	30103150	DELTA MANIFOLD		

Wiring Harness 14 Pin

Applies to SBL2566 S/N 891530-, SBL2574 S/N 891530-, SBL2584 S/N 891530-



NOTE: 2 Function Harness
Will Work For The Following:

- Bobcat 14 Pin
- Gehl 14 Pin
- Komatsu 14 Pin
- Mustang 14 Pin
- Takeuchi 14 Pin
- Volvo 14 Pin

Will Also Work For
The Following By Reversing
The Red And Green Wires
At The Solenoid:

- Case-Post 9/1/01 14 Pin
- Case 400 Series 14 Pin
- New Holand 14 Pin

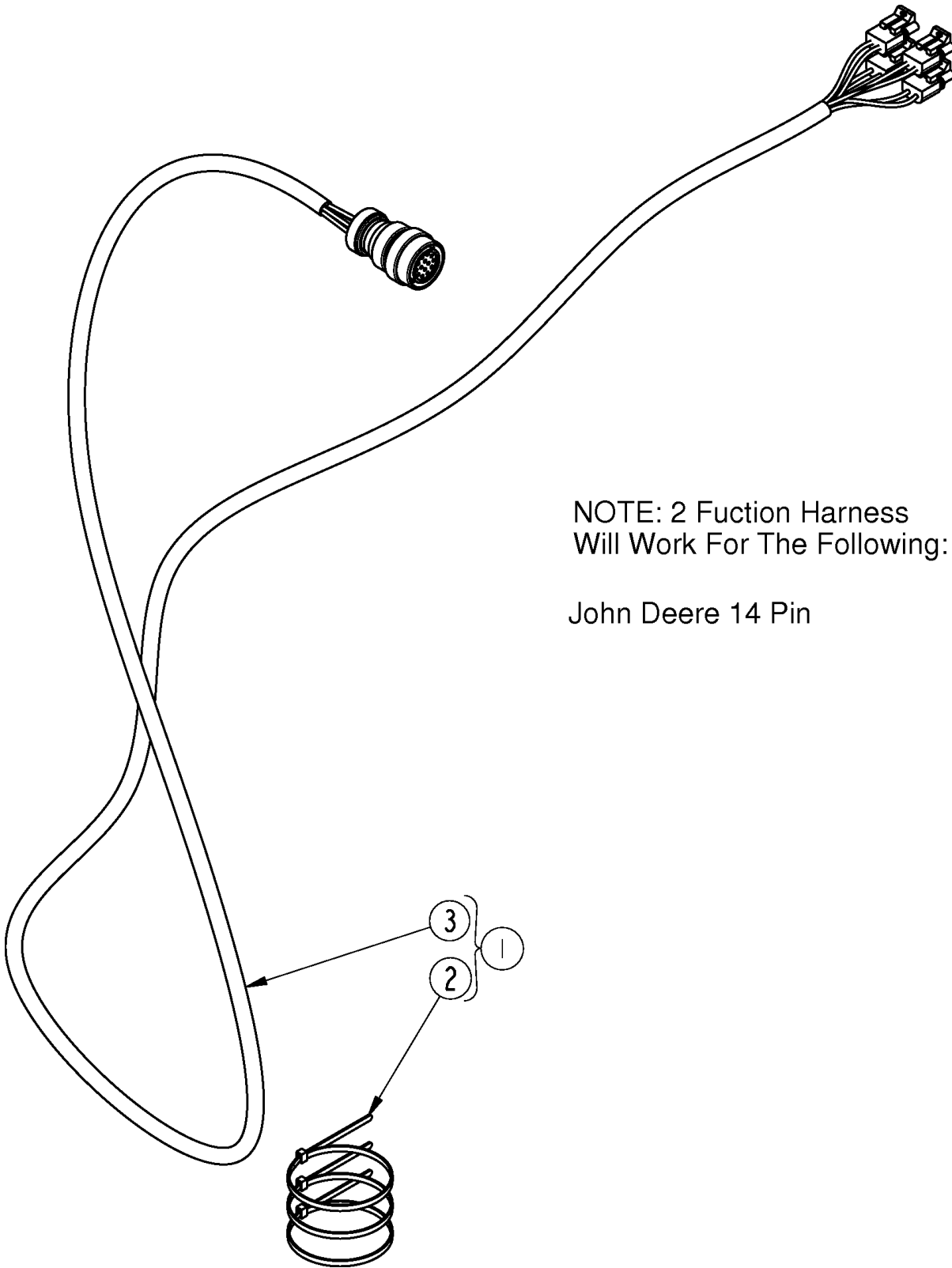
Wiring Harness 14 Pin

Applies to SBL2566 S/N 891530-, SBL2574 S/N 891530-, SBL2584 S/N 891530-

Ref	Part No.	Part Description	Comments	Revision
	dwg35289	Drawing Image Number		
1.	370-336A	WIRING HARNESS 14 PIN		
2.	800-060C	CABLE TIE .19X14.25 3DIA 50LB		
3.	823-417C	DEUTSCH HD30 14 PIN 2 FUNCTION		

Wiring Harness 14 Pin JD

Applies to SBL2566 S/N 891530-, SBL2574 S/N 891530-, SBL2584 S/N 891530-



NOTE: 2 Fuction Harness
Will Work For The Following:

John Deere 14 Pin

35290

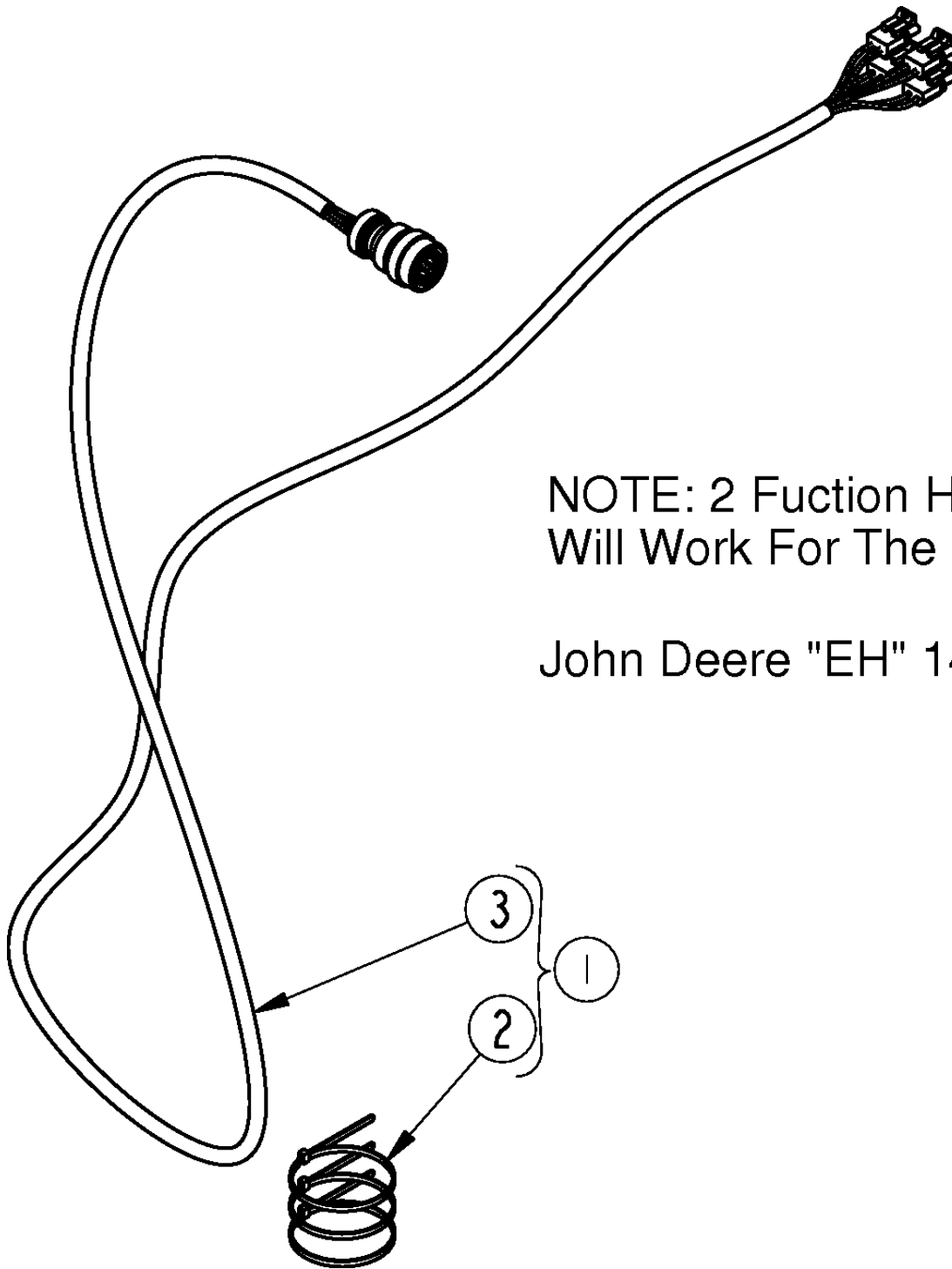
Wiring Harness 14 Pin JD

Applies to SBL2566 S/N 891530-, SBL2574 S/N 891530-, SBL2584 S/N 891530-

Ref	Part No.	Part Description	Comments	Revision
	dwg35290	Drawing Image Number		
1.	370-337A	WIRING HARNESS 14 PIN JD		
2.	800-060C	CABLE TIE .19X14.25 3DIA 50LB		
3.	823-418C	DEUTSCH HD30 14 PIN 2 FUNCTION		

Wiring Harness 14 Pin JD Electric/Hydraulic

Applies to SBL2566 S/N 891530-, SBL2574 S/N 891530-, SBL2584 S/N 891530-



NOTE: 2 Function Harness
Will Work For The Following:

John Deere "EH" 14 Pin

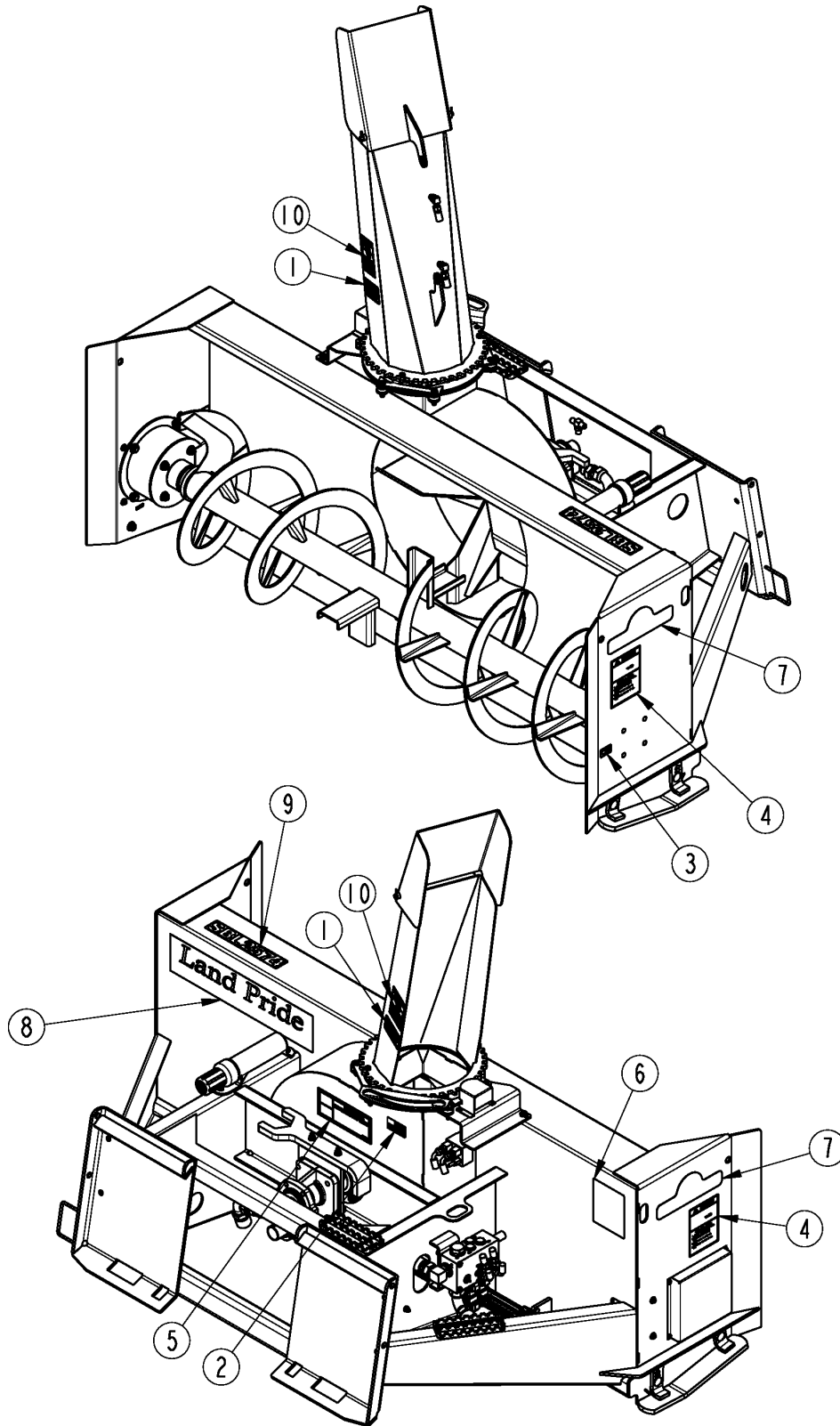
Wiring Harness 14 Pin JD Electric/Hydraulic

Applies to SBL2566 S/N 891530-, SBL2574 S/N 891530-, SBL2584 S/N 891530-

Ref	Part No.	Part Description	Comments	Revision
	dwg35291	Drawing Image Number		
1.	370-338A	WIRING HARNESS 14 PIN JD EH		
2.	800-060C	CABLE TIE .19X14.25 3DIA 50LB		
3.	823-419C	DEUTSCH HD30 14 PIN 2 FUNCTION		

Label Placement

Applies to SBL2566 S/N 891530-, SBL2574 S/N 891530-, SBL2584 S/N 891530-



35563

Label Placement**Applies to SBL2566 S/N 891530-, SBL2574 S/N 891530-, SBL2584 S/N 891530-**

Ref	Part No.	Part Description	Comments	Revision
	dwg35563	Drawing Image Number		
1.	818-132C	DECAL DANGER THROWN OBJECT HAZ		
2.	818-190C	DECAL FLAG		
3.	818-349C	DECAL GREASE 10 HRS LH		
4.	818-634C	DECAL DANGER AD ROTATING AUGER		
5.	818-831C	DECAL WARNING HIGH PRESSURE		
6.	818-858C	DECAL WARNING GENERAL SAFETY		
7.	818-892C	DECAL LP W/TREE 10" - 3 COLOR	Beige Unit	
7.	838-963C	DECAL LP 10" W/TREE BROWN/GOLD	Orange & Black Unit	
8.	818-907C	DECAL LANDPRIDE 22" - BROWN	Beige Unit	
8.	838-966C	DECAL LANDPRIDE 22" BROWN/GOLD	Orange & Black Unit	
9.	848-729C	DECAL SBL2574 BROWN	Beige Unit	
9.	848-806C	DECAL, SBL2574 GOLD	Orange & Black Unit	
9.	848-805C	DECAL, SBL2566 BROWN	Beige Unit	
9.	848-807C	DECAL, SBL2566 GOLD	Orange & Black Unit	
9.	848-863C	DECAL SBL2584 BROWN	Beige Unit	
9.	848-865C	DECAL SBL2584 GOLD	Orange & Black Unit	
10.	848-840C	DECAL DANGER ROTATING IMPELLER		



Part Number Index

The Part Number Index is a numeric index of all part numbers included in this manual. The index shows what page(s) the part is used on.

Part Number	Page	Part Number	Page	Part Number	Page	Part Number	Page
*	15, 17, 19, 25, 43, 45, 47, 49, 57	370-455D	9	803-406C	11	841-672C	13
130556	43	370-533D	21	804-006C	21, 41	841-679C	47
186561	43	370-534D	21	804-007C	9, 41	841-904C	13
21067573	15	370-677D	9	804-012C	9, 21, 55	841-905C	13
213-005	25	370-681D	9	804-013C	9, 55	841-957C	37
219-007	25	37185000	15, 17, 19	804-016C	7	841-958C	37
219-009	25	37810000	15, 17, 19	804-239C	9	842-244C	7
23267180	15, 17, 19	38400002	53, 57	805-363C	9	848-729C	65
235005	43	39166000	15, 17, 19	810-125C	23, 43	848-805C	65
250-007	25	39656230	15, 17, 19	810-716C	57	848-806C	65
250-023	25	40030000	15, 17, 19	810-732C	7, 13, 45	848-807C	65
255-092	25	40880000	15, 17, 19	810-751C	21	848-840C	65
255-093	25	41387250	15, 17, 19	810-832C	19, 47	848-863C	65
255-098	25	42425000	15, 17, 19	810-835C	17, 47	848-865C	65
255-102	25	437208	43	810-836C	41	851-102C	39
255-103	25	45700000	15, 17, 19	810-837C	15, 47	86020133	53, 57
255-104	25	491604	43	810-840C	55	86020379	53, 57
255-186	25	492214	43	810-883C	43	86020673	53, 57
258851	43	492669	43	811-062C	47	88400016	53, 57
259-001	25	49324500	15, 17, 19	811-065C	21, 23	95155002	15, 17, 19
259-004	25	494382	43	811-170C	21, 23	95155003	15, 17, 19
259-005	25	49468030	15, 17, 19	811-408C	13	990-296R	55
25937592	15, 17, 19	49591070	15, 17, 19	811-411C	13, 41, 47, 55	dwg 35573	47
300339303P	45	500011300	45	811-567C	47	Dwg 37371	49
30103150	53, 57	500012001	45	811-744C	39	dwg13565	43
304-345	25	500014007	45	811-745C	39	dwg33091	25
316-289A	37	500015006	45	811-763C	13	dwg35289	59
316-290A	39	500016001	45	815-312C	7	dwg35290	61
326-474A	33	500018002	45	816-182C	47	dwg35291	63
32748404	15	500018003	45	816-504C	9	dwg35510	45
32748430	15	500018048	45	817-871C	9	dwg35561	7
32748433	19	500018059	45	817-976C	9	dwg35562	9
32748436	17	500018252	45	818-132C	65	dwg35563	65
32748487	19	500130723	45	818-190C	65	dwg35570	23
32748491	17	500307005	45	818-349C	65	dwg35571	21
35921500	15, 17, 19	50044001	45	818-634C	65	dwg35572	13
370-071H	9	500445018	45	818-831C	65	dwg35574	11
370-072H	9	500449101	45	818-858C	65	dwg35575	39
370-133A	31	61010007	53, 57	818-892C	65	dwg35576	37
370-134A	29	61010016	53, 57	818-907C	65	dwg35577	31
370-142D	9	61010033	53	820-042C	9	dwg35578	29
370-168D	9	61010034	53	820-046C	9	dwg35579	19
370-210H	9	61010050	57	820-477C	9	dwg35580	17
370-210H82	9	800-060C	33, 59, 61, 63	822-243C	7	dwg35581	15
370-210H85	9	800-112C	27, 29, 31	822-253C	9	dwg35582	57
370-214H	7	800-303C	25	822-283C	11	dwg35611	33
370-251H	9	801-019C	11	823-377C	25, 27, 29, 31	dwg37144	27
370-252H	9	802-014C	9, 21	823-385C	27, 29, 31	dwg37376	55
370-253A	47	802-022C	9	823-386C	29, 31	dwg37377	41
370-254A	47	802-023C	9	823-405C	27, 29, 31	dwg37378	51
370-255A	47	802-034C	7	823-417C	59	dwg37382	53
370-256H	7	802-078C	9, 21	823-418C	61	LP-327-359D	49
370-259H	9	802-082C	47	823-419C	63	LP-370-528A	49
370-259H82	9	802-091C	7	823-439C	27	LP-802-091C	49
370-259H85	9	802-143C	9	838-963C	65	LP-803-169C	49
370-261H	7	802-168C	55	838-966C	65	LP-804-015C	49
370-265H	11	802-206C	9	841-269C	55	LP-810-715C	49
370-294H	21	802-214C	9, 11	841-539C	33	LP-811-408C	49
370-336A	59	802-224C	9	841-603C	21	LP-811-411C	49
370-337A	61	802-274C	41	841-610C	21	LP-841-269C	49
370-338A	63	802-939C	21	841-649C	13	LP-841-468C	49
370-351H	9	802-952C	21	841-650C	13	LP-841-676C	49
370-351H82	9	803-006C	41	841-651C	47	LP-850-026C	49
370-351H85	9	803-013C	9	841-652C	51	LP-851-395C	49
370-353H	7	803-014C	9, 43, 55	841-655C	47	LP-851-396C	49
370-395D	9	803-088C	9	841-656C	41	LP-851-397C	49
370-399D	21	803-169C	7, 9, 11, 47	841-657C	55	LP-851-398C	49
370-434A	27	803-209C	9, 21	841-658C	23	LP-851-399C	49
370-454D	9	803-255C	9, 21	841-659C	23	N/A	43, 45
		803-263C	9	841-671C	13	PRC07710	19



Part Number Index (continued)

<u>Part Number</u>	<u>Page</u>
PRC07711	17
SK-SCR0622000A	21
ZHSK-EBMM	21



Great Plains Manufacturing, Inc.

Corporate Office: P.O. Box 5060
Salina, Kansas 67402-5060 USA

www.landpride.com
