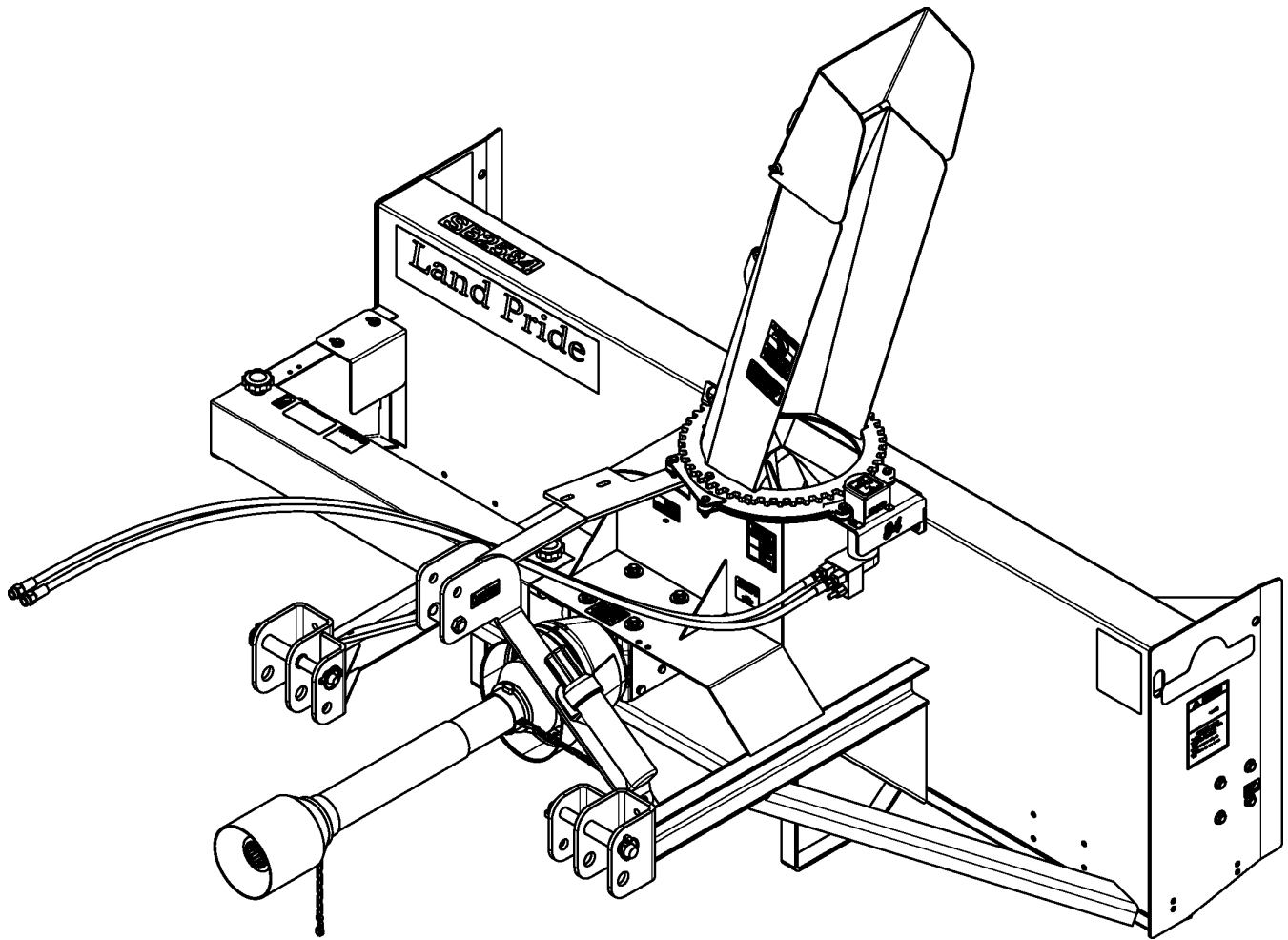


# Snow Blowers

**SB2584 S/N 881640-**



33105

## **370-127P Parts Manual**



Read the Operator's manual entirely. When you see this symbol, the subsequent instructions and warnings are serious - follow without exception. Your life and the lives of others depend on it!

© Copyright 2015 Printed 03/17/15

Cover photo may show optional equipment not supplied with standard unit.





# Table of Contents

---

<b>Section 1: Introduction.....</b>	<b>4</b>
Using This Manual.....	4
Manual Replacement Information.....	4
Manual Revisions.....	4
Touch-up Paint.....	4
Hardware Legend.....	5
Replacement Hardware.....	5
Serial Numbers.....	5
Part Number Service Coding.....	5
<b>Section 2: Frame &amp; Auger Components.....</b>	<b>6</b>
Auger Components.....	6
Frame & Chute.....	8
<b>Section 3: Drive Components.....</b>	<b>10</b>
Auger & Impeller Drive.....	10
Driveline (826-688C).....	12
Gear Box (826-654C).....	14
<b>Section 4: Options &amp; Accessories.....</b>	<b>16</b>
Chute Adjustment Electric S/N 759835-.....	16
Chute Adjustment Electric S/N 759836+.....	18
Chute Adjustment Hydraulic S/N 721286-.....	20
Chute Adjustment Hydraulic S/N 721287 to S/N 759835...22	
Chute Adjustment Hydraulic S/N 759836+.....	24
Chute Adjustment Manual.....	26
Control Box (823-377C).....	28
Electric Switch Box Harness.....	30
Hydraulic Cylinder Double Acting (810-125C) Lion.....	32
Inner Skid Shoes.....	34
Outer Skid Shoes.....	36
Side Adjustment Plates.....	38
Tilt Adjustment Electric.....	40
Tilt Adjustment Hydraulic.....	42
Tilt Adjustment Manual.....	44
Wear Bar Kit SB25.....	46
<b>Section 5: Labels.....</b>	<b>48</b>
Label Placement.....	48
 <b>Part Number Index.....</b>	 <b>50</b>

© Copyright 2015. All rights reserved.

Land Pride provides this publication “as is” without warranty of any kind, either expressed or implied. While every precaution has been taken in the preparation of this manual, Land Pride assumes no responsibility for errors or omissions. Neither is any liability assumed for damages resulting from the use of the information contained herein. Land Pride reserves the right to revise and improve its products as it sees fit. This publication describes the state of this product at the time of its publication, and may not reflect the product in the future. The illustrations in this manual are not intended for safe and proper assembly or disassembly of equipment. The illustrations are intended for ordering parts only.

Land Pride is registered trademark.

All other brands and product names are trademarks or registered trademarks of their respective holders.

*Printed in the United States of America.*



# Alphabetized Table of Contents

---

<b>A</b>	
Auger & Impeller Drive.....	10
Auger Components.....	6
<b>C</b>	
Chute Adjustment Electric S/N 759835-.....	16
Chute Adjustment Electric S/N 759836+.....	18
Chute Adjustment Hydraulic S/N 721286-.....	20
Chute Adjustment Hydraulic S/N 721287 to S/N 759835.....	22
Chute Adjustment Hydraulic S/N 759836+.....	24
Chute Adjustment Manual.....	26
Control Box (823-377C).....	28
<b>D</b>	
Driveline (826-688C).....	12
<b>E</b>	
Electric Switch Box Harness.....	30
<b>F</b>	
Frame & Chute.....	8
<b>G</b>	
Gear Box (826-654C).....	14
<b>H</b>	
Hydraulic Cylinder Double Acting (810-125C) Lion.....	32
<b>I</b>	
Inner Skid Shoes.....	34
<b>L</b>	
Label Placement.....	48
<b>O</b>	
Outer Skid Shoes.....	36
<b>S</b>	
Side Adjustment Plates.....	38
<b>T</b>	
Tilt Adjustment Electric.....	40
Tilt Adjustment Hydraulic.....	42
Tilt Adjustment Manual.....	44
<b>W</b>	
Wear Bar Kit SB25.....	46

# General Information

## Using This Manual

This manual is divided into sections. The first section contains General Information. The remaining sections divide the machine into segments (i.e. Frames, Drives, Hydraulics, etc.) which illustrate and list all parts. A Parts Number Index is located at the back of the book.

The Land Pride parts in this manual are specially designed for this machine and should be replaced with Land Pride parts only.

The information in this manual is current at time of printing. Some parts may change to assure top performance.

Right-hand and left-hand as used in this manual are determined by facing the direction the machine will travel while in use.

Below is an example of two facing pages from a parts manual. Familiarize yourself with the type of information contained on these pages.

## Manual Replacement Information

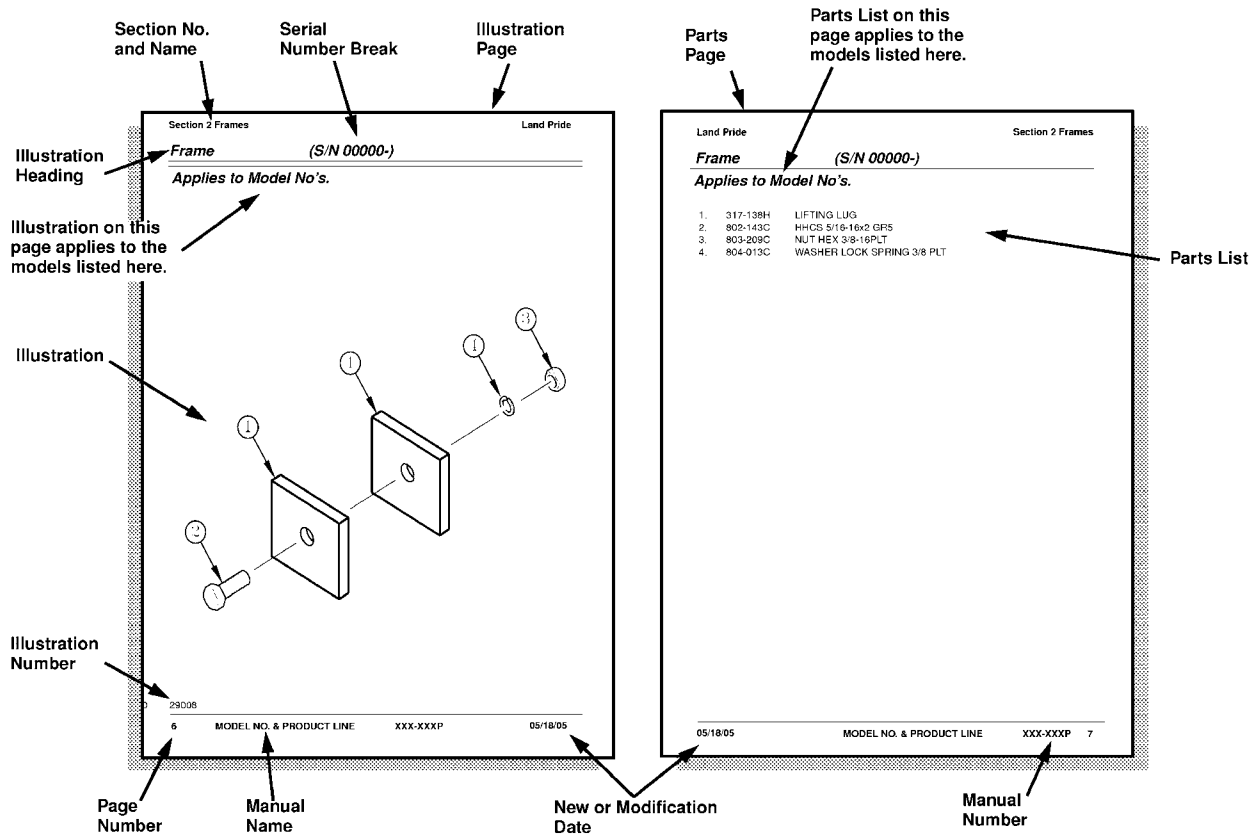
Replacement manuals are available. Refer to our website at [www.landpride.com](http://www.landpride.com) or e-mail us at [lit@landpride.com](mailto:lit@landpride.com) for additional information. Our website continues to provide the most up-to-date manuals available.

## Touch-up Paint

Repaint parts where paint is worn or scratched to prevent rust. Aerosol cans and touch-up bottles with brush applicator are available through your local dealer. Land Pride color descriptions and part numbers are listed below. Also available are quart and gallon size paints. Add QT or GL to end of the Aerosol P/N.

Color	Product*	Aerosol	Touch-Up
Gloss Black	LP	821-032C	821-032CTU
Beige	LP	821-011C	821-011CTU
Green	SLP	821-058C	821-058CTU
Orange	SLP	821-066C	821-066CTU
Red	SLP	821-054C	821-054CTU
Blue	SLP	821-067C	821-067CTU

Notes:  
 \* LP = All Land Pride Products  
 SLP = Select Land Pride Products that are available in optional Green, Orange and Red.



## General Information

### Hardware Legend

<b>AR</b>	As Required
<b>BLADE</b>	Blade Bolt
<b>C</b>	Cap Screw
<b>CP</b>	Cotter Pin
<b>CPHSSS</b>	Cup Point Hex Socket Set Screw
<b>CPSHSS</b>	Cup Point Square Head Set Screw
<b>CPSQHSS</b>	Cup Point Square Head Set Screw
<b>CRFCHMS3</b>	Cross Recess Flat Countersunk Head Machine Screw
<b>CRPHMS</b>	Cross Recess Pan Head Machine Screw
<b>CRPHTF</b>	Cross Recess Pan Head Thread Forming
<b>CRRHMS</b>	Cross Recess Round Head Machine Screw
<b>CRTHMS</b>	Cross Recess Truss Head Machine Screw
<b>CSNB</b>	Countersunk Square Neck Bolt
<b>FHMS</b>	Flat Head Machine Screw
<b>FTC</b>	Full Thread Cap Screw
<b>H</b>	Hex Nut
<b>HCLN</b>	Hex Center Lock Nut
<b>HFLCS</b>	Hex Flange Lock Cap Screw
<b>HFS</b>	Hex Flange Screw
<b>HFSLN</b>	Hex Flange Serrated Lock Nut
<b>HFSS</b>	Hex Flange Serrated Screw
<b>HHCS</b>	Hex Head Cap Screw or Metric Bolt
<b>HSBHCS</b>	Hex Socket Button Head Cap Screw
<b>HSFCHCS</b>	Hex Socket Flat Countersunk Head Cap Screw
<b>HSHCS</b>	Hex Socket Head Cap Screw
<b>HSSS</b>	Hex Socket Head Screw
<b>HTLN</b>	Hex Top Lock Nut
<b>HWHCS</b>	Hex Washer Head Cap Screw

<b>HWHMS</b>	Hex Washer Head Machine Screw
<b>HXBHCS</b>	Hex Socket Button Head Cap Screw
<b>J</b>	Hex Jam Nut
<b>JIC</b>	37 Degree Tapered Thread
<b>L</b>	Helical Spring Lock Washer
<b>LUG</b>	Lug Bolt
<b>NFC</b>	National Fine Cap Screw
<b>NPSM</b>	National Pipe Straight Mechanical
<b>NPTF</b>	National Pipe Taper Fuel
<b>P</b>	Wide Plain Washer
<b>PHMS</b>	Pan Head Machine Screw
<b>PLOW</b>	Plow Bolt
<b>RHMS</b>	Round Head Machine Screw
<b>RHSNB</b>	Round Head Square Neck Bolt
<b>SCREW LEVELING</b>	Leveling Screw
<b>SCREW THUMB</b>	Thumb Screw
<b>SCREW WELD</b>	Weld Screw
<b>SFCHMS</b>	Slotted Flat Countersunk Head Machine Screw
<b>SFHMS</b>	Slotted Fillister Head Machine Screw
<b>SP</b>	Special
<b>SP SCREW</b>	Special Screw
<b>SQHSS</b>	Square Head Set Screw
<b>SRHMS</b>	Slotted Round Head Machine Screw
<b>SSS</b>	Socket Set Screw
<b>STCS</b>	Self Tapping Cap Screw
<b>STHMS</b>	Slotted Truss Head Machine Screw
<b>WHEEL</b>	Wheel Studs and Hub Long Bolts
<b>WING</b>	Wing Bolt

### Replacement Hardware

The **Hardware Legend** above lists hardware abbreviations used in the parts list. All bolts and nuts are Grade 5 unless otherwise noted. The use of improper grades of hardware can result in personal injury, damage to equipment, or loss of property.

### Colored Replacement Parts

Land Pride offers replacement parts in factory standard colors and also on select models in Green, Orange, Red and Blue. Because of the variety of colors available, special attention must be given to the part number to prevent ordering the wrong replacement part.

A suffix number corresponding to one of the colors below must be added at the end of Land Pride's part number when ordering a replacement part with that color.

**81 . . . . . Green      83 . . . . . Red**  
**82 . . . . . Orange    84 . . . . . Blue**

For example, if you are ordering a replacement part with part number 555-555C and the part you need is red, then add the suffix 83 to the end of the number to make the part number read 555-555C83. Parts ordered without a suffix number will be supplied in factory standard colors.

### Black Replacement Parts

Some parts are factory standard black and some must be special ordered black. If your part is special ordered black, a second part number with the additional suffix number 85 on the end will be available. In this situation you must order that part with the suffix number for it to be black. Parts that are factory standard black will not have the suffix number.

### Part Number Service Coding

Within the parts list some part numbers are coded for revisions and interchangeability. See notations in revision column.

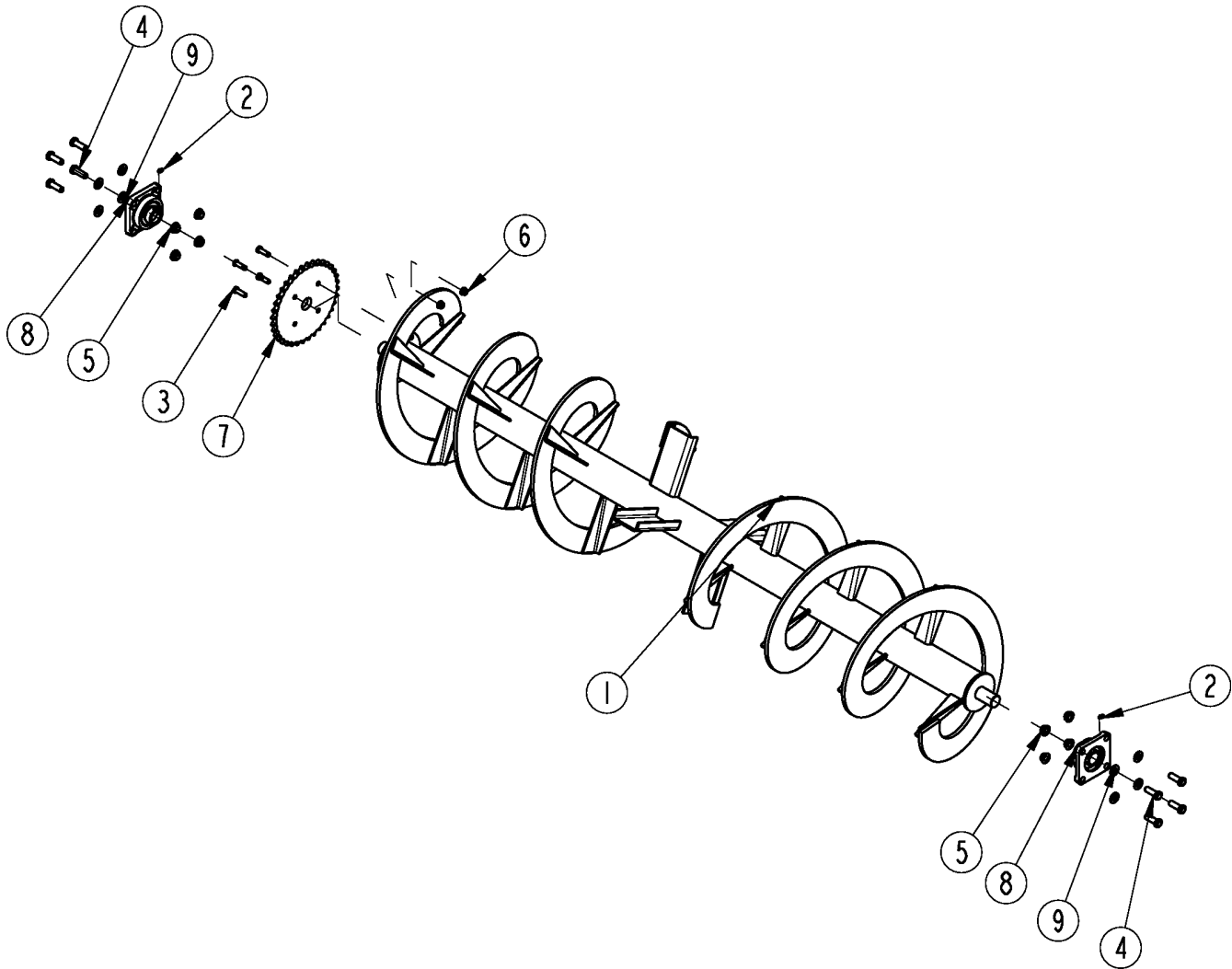
### Serial Numbers

Always use the serial and model number when ordering parts. Refer to the Operator's Manual for serial number plate location.

- (S/N 20001+)                      Includes serial numbers 20001 and above (to the latest number)
- (S/N 10001 to 20000)           Includes serial numbers between and including 10001 and 20000
- (S/N 10000-)                      Includes serial numbers 10000 and below (to the earliest number)

# Auger Components

Applies to SB2584 S/N 881640-



33102

**Auger Components**

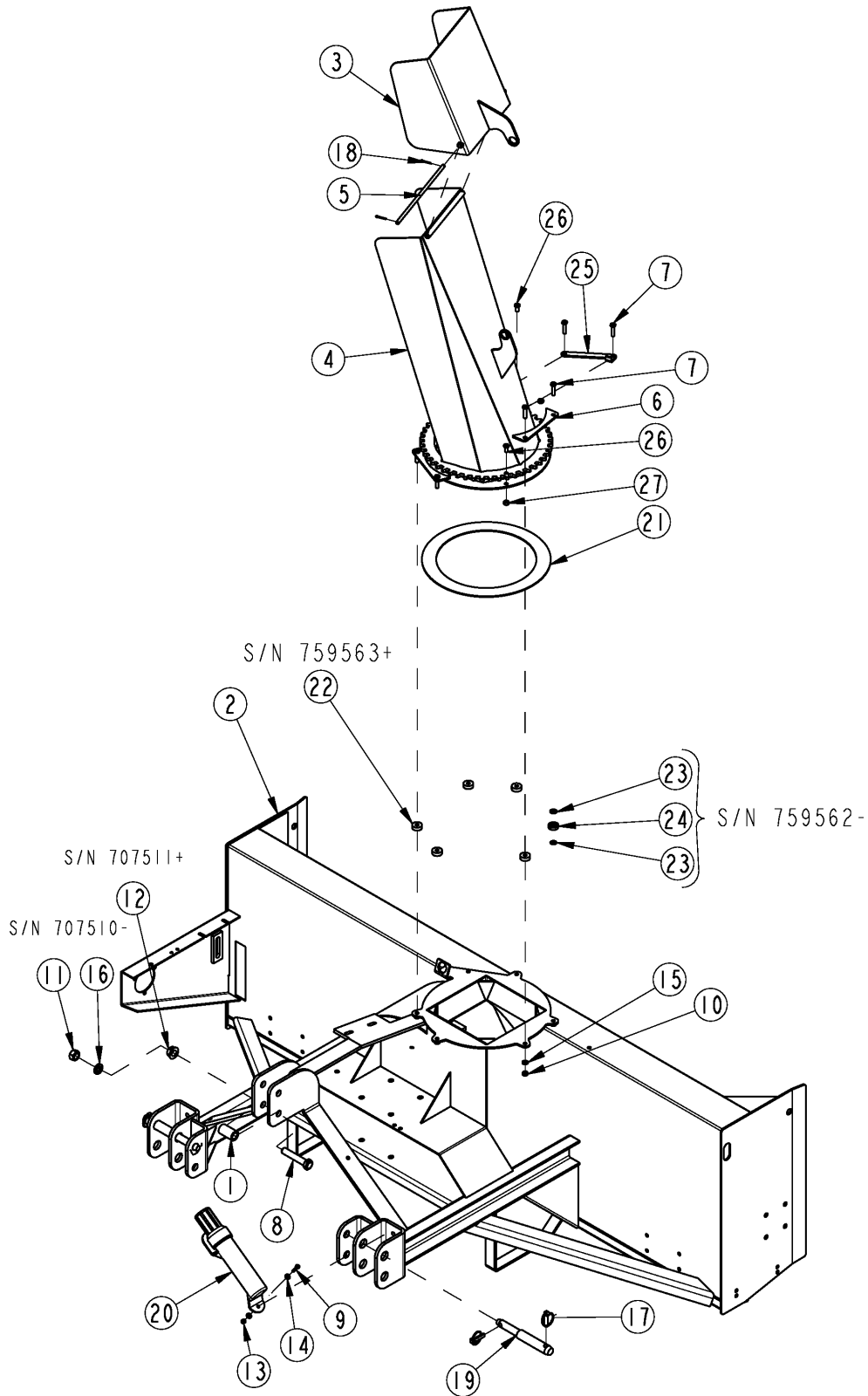
---

**Applies to SB2584 S/N 881640-**

<b>Ref</b>	<b>Part No.</b>	<b>Part Description</b>	<b>Comments</b>	<b>Revision</b>
	dwg33102	Drawing Image Number		
1.	370-038H	AUGER SB2584		
2.	800-001C	GREASE ZERK STRAIGHT 1/4-28		
3.	802-079C	HHCS 3/8-16X1 1/4 GR5		
4.	802-091C	HHCS 1/2-13X1 1/2 GR5		
5.	803-169C	NUT HEX FLG LOCK 1/2-13 PLT		
6.	803-209C	NUT FLANGE LOCK 3/8-16 PLT		
7.	808-423C	SPKT 6036X W/4 HOLES		
8.	822-243C	BRG 4 BOLT CAMLOCK 1.25 BORE		
9.	804-016C	WASHER FLAT 1/2 SAE PLT		

# Frame & Chute

Applies to SB2584 S/N 881640-



33103

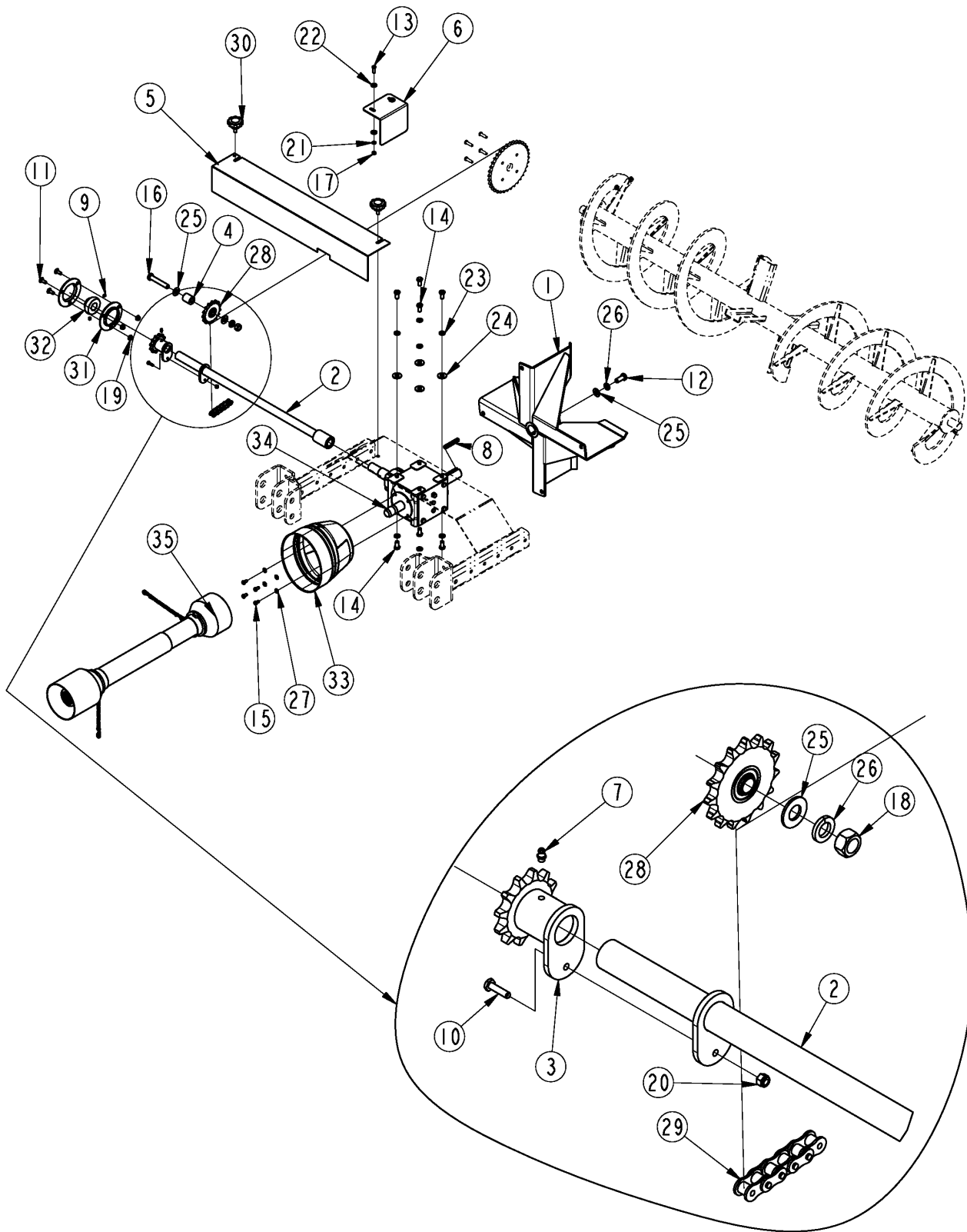


**Frame & Chute****Applies to SB2584 S/N 881640-**

Ref	Part No.	Part Description	Comments	Revision
	dwg33103	Drawing Image Number		
1.	322-009D	SPACER 1 1/4ODX7/32WLX2.12LG		
2.	370-049H	DECK WELDMENT 2584		
2.	370-049H82	DECK WELDMENT 2584 ORANGE		
3.	370-081H	SPOUT WELD 25 SERIES		
4.	370-082H	CHUTE WELD 25 SERIES		
5.	370-143D	TILT PIVOT PIN 25 SERIES		
6.	370-168D	BEARING STRAP		
7.	802-022C	HHCS 3/8-16X1 1/2 GR5		
8.	802-068C	HHCS 3/4-10X4 GR5		
9.	802-224C	HHCS 1/4-20X1 1/4 GR5		
10.	803-014C	NUT HEX 3/8-16 PLT		
11.	803-027C	NUT HEX 3/4-10 PLT	S/N 707510-	
12.	803-181C	NUT HEX FLANGE LOCK 3/4-10 PLT	S/N 707511+	
13.	803-255C	NUT HEX NYLOCK 1/4-20		
14.	804-007C	WASHER FLAT 1/4 SAE PLT		
15.	804-013C	WASHER LOCK SPRING 3/8 PLT		
16.	804-023C	WASHER LOCK SPRING 3/4 PLT	S/N 707510-	
17.	805-103C	PIN LINCH 7/16 X 1 3/4		
18.	805-363C	PIN COTTER 1/8 X 1		
19.	805-407C	PIN HITCH CAT. I-II		
20.	816-504C	MANUAL STORAGE CONTAINER		
21.	817-872C	CHUTE BEARING UHMW 12"		
22.	817-976C	CHUTE BEARING	S/N 759563+	
23.	804-239C	WASHER MACH .3791DX.75ODX.015	S/N 759562-	
24.	822-253C	BRG, .393 ID X 1.181 OD X .354	S/N 759562-	
25.	370-251D	STOP BAR 15/25 SERIES	S/N 721287+	
26.	802-014C	HHCS 3/8-16X3/4 GR5	S/N 721287+	
27.	803-013C	NUT LOCK 3/8-16 PLT	S/N 721287+	

# Auger & Impeller Drive

Applies to SB2584 S/N 881640-



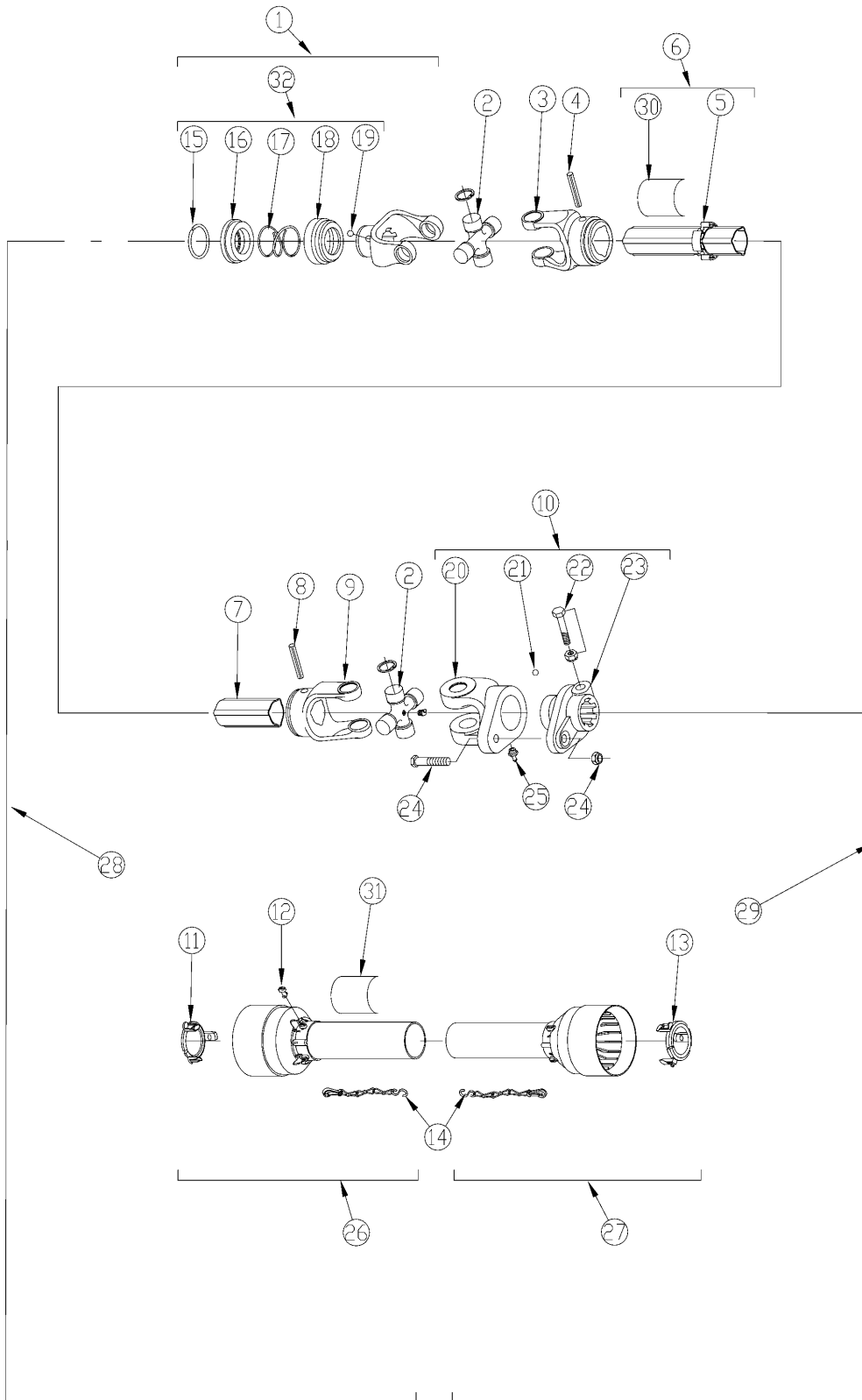
33101

**Auger & Impeller Drive****Applies to SB2584 S/N 881640-**

<b>Ref</b>	<b>Part No.</b>	<b>Part Description</b>	<b>Comments</b>	<b>Revision</b>
	dwg33101	Drawing Image Number		
1.	370-040H	IMPELLER 24X10		
2.	370-062H	REAR SHAFT 2584		
3.	370-064H	SHEAR BOLT WELDMENT 25 SERIES		
4.	370-147D	IDLER BUSHING	S/N 826215-	
4.	370-683D	IDLER BUSHING 15/25 1.43L	S/N 826216+	
5.	370-154D	REAR SHAFT GUARD 2584		
6.	370-644D	IDLER GUARD	S/N 798259+	
7.	800-080C	GREASE ZERK 1/4-28 THD FORMING		
8.	800-402C	KEY 3/8 X 3/8 X 3		
9.	801-027C	SCREW SET 5/16-24 SKT KP X 5/16		
10.	802-005C	HHCS 1/4-20X1 GR5		
11.	802-015C	RHSNB 3/8-16X1 GR5		
12.	802-051C	HHCS 5/8-11X1 1/2 GR5		
13.	802-159C	HHCS 5/16-18X1 GR5	S/N 798259+	
14.	802-258C	HHCS 1/2-13X1 GR5		
15.	802-459C	HHCS M8X1.25X16 GR8.8		
16.	802-153C	HHCS 5/8-11X3 3/4 GR5	S/N 826216+	
16.	802-162C	HHCS 5/8-11X3 1/2 GR5	S/N 826215-	
17.	803-008C	NUT HEX 5/16-18 PLT	S/N 798259+	
18.	803-021C	NUT HEX 5/8-11 PLT		
19.	803-209C	NUT FLANGE LOCK 3/8-16 PLT		
20.	803-255C	NUT HEX NYLOCK 1/4-20		
21.	804-009C	WASHER LOCK SPRING 5/16 PLT	S/N 798259+	
22.	804-010C	WASHER FLAT 5/16 USS PLT		
23.	804-015C	WASHER LOCK SPRING 1/2 PLT		
24.	804-017C	WASHER FLAT 1/2 USS PLT		
25.	804-021C	WASHER FLAT 5/8 SAE PLT		
26.	804-022C	WASHER LOCK SPRING 5/8 PLT		
27.	804-161C	WASHER FLAT M8 PLT		
28.	808-400C	60C15 IDLER SPROCKET W/BEARING		
29.	809-302C	CHAIN RL #60 - 89 PITCH W/CON		
30.	817-358C	KNOB 3/8-16 MALE THD 2 3/8OD		
31.	822-218C	FLANGETTE 72MM 3-BOLT PLT		
32.	822-250C	BRG, 1.25 ID X 2.8346 X 1.26		
33.	826-240C	SMALL SHAFT CONE W ACCESS DOOR		
34.	826-654C	GBOX 1:1 CCW		
35.	826-688C	DRIVELINE 540 1900 SHEARBOLT		

**Driveline (826-688C)**

Applies to SB2584 S/N 881640-



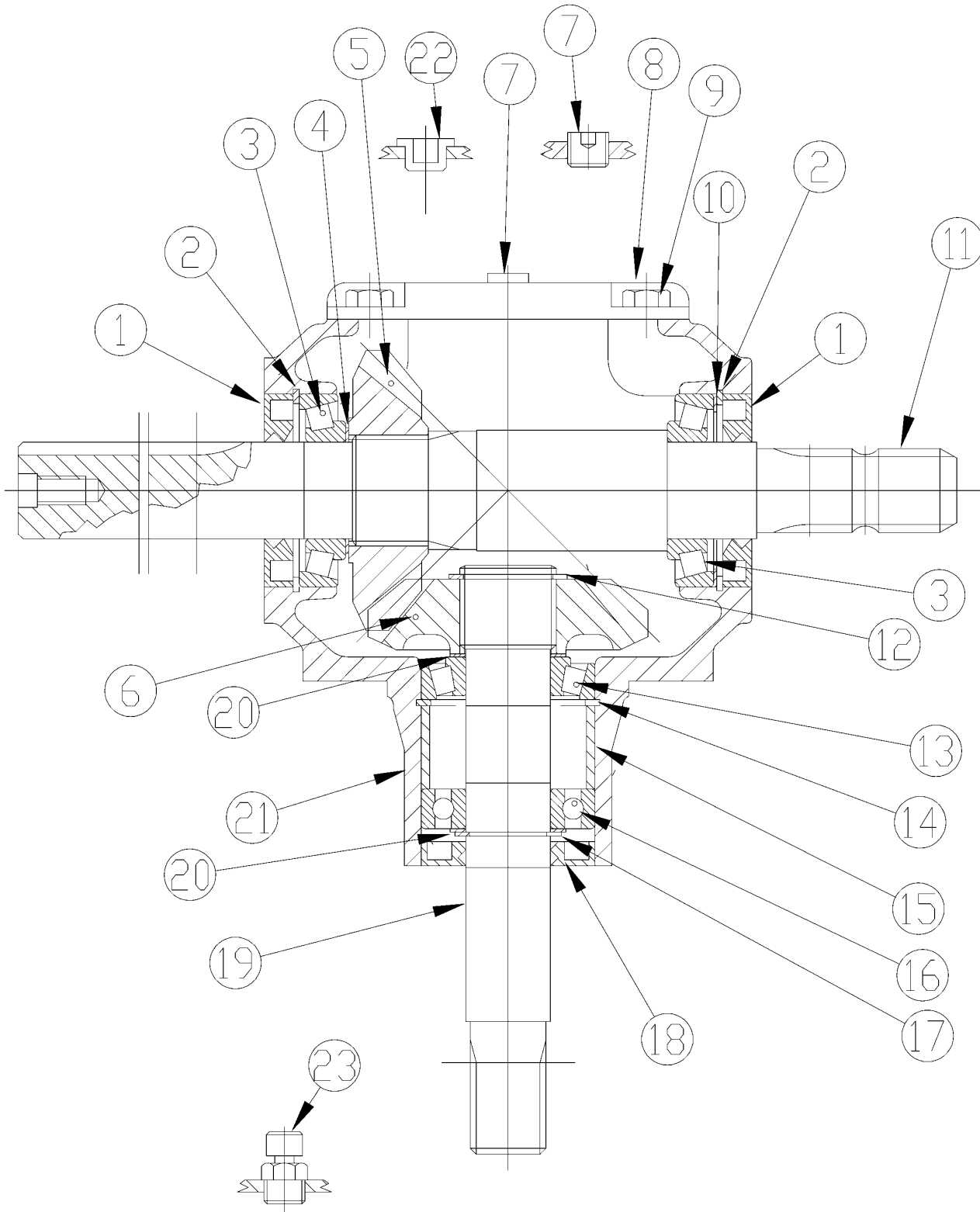
33118

**Driveline (826-688C)****Applies to SB2584 S/N 881640-**

Ref	Part No.	Part Description	Comments	Revision
	dwg33118	Drawing Image Number		
	826-688C	DRIVELINE 540 1900 SHEARBOLT *		
1.	141.026.544.1	CO COMPLETE COLLAR YOKE C12		
2.	180.016.130	COMER CROSS ASSEMBLY		
3.	151.016.028.1	CO OUTER YOKE		
4.	190.000.018	CO ROLL PIN OUTER TUBE		
5.	180.016.316	CO BUSH WITH GREASE FITTING		
6.	152.170.2630710	CO COMPLETE OUTER TUBE		
7.	153.160.174	CO INNER TUBE		
8.	190.000.016	COMER ROLL PIN, INNER TUBE		
9.	151.016.029.1	CO INNER YOKE		
10.	143.260.006.1	CO COMPLETE SHEAR BOLT(55XM10)		
11.	180.016.237	CO GRD RETAIN CLLR FOR OTR TB		
12.	180.014.240	COMER BOLT		
13.	180.016.238	CO GRD RETAIN CLLR FOR INR TB		
14.	180.016.636	CO SAFETY CHAINS		
15.	N/A	COMER OUTER CIRCLIP		
16.	N/A	COMER SLIDING SLEEVE COLLER		
17.	N/A	COMER SPRING		
18.	N/A	COMER FIXED SLEEVE		
19.	N/A	COMER BALL 1/2"		
20.	N/A	CO YOKE FOR HUB B02 (55XM10)		
21.	N/A	CO BALL DIA 5/16"		
22.	165.000.525	CO BALL & NUT M12X70 C1.8.8		
23.	N/A	CO HUB B02 (55XM10)		
24.	165.000.583	CO BOLT M10X60 C1.6.6 AND NUT		
25.	190.000.021	CO GREASE FITING M10X1		
26.	142.266.2757621	CO HALF FEMALE GUARD		
27.	142.261.2797621	CO HALF MALE GUARD		
28.	123.360.468.11	COMER HALF FEMALE SHFT W/GUARD		
29.	123.260.424.11	CO HALF MALE SHFT W/GUARDING		
30.	190.000.098	COMER DANGER LABEL OUTER TUBE		
31.	190.000.099	COMER DANGER LABEL GUARD OUTER		
32.	165.000.628	COMER COLLOR KIT 1-3/8 YOKE		

# Gear Box (826-654C)

Applies to SB2584 S/N 881640-



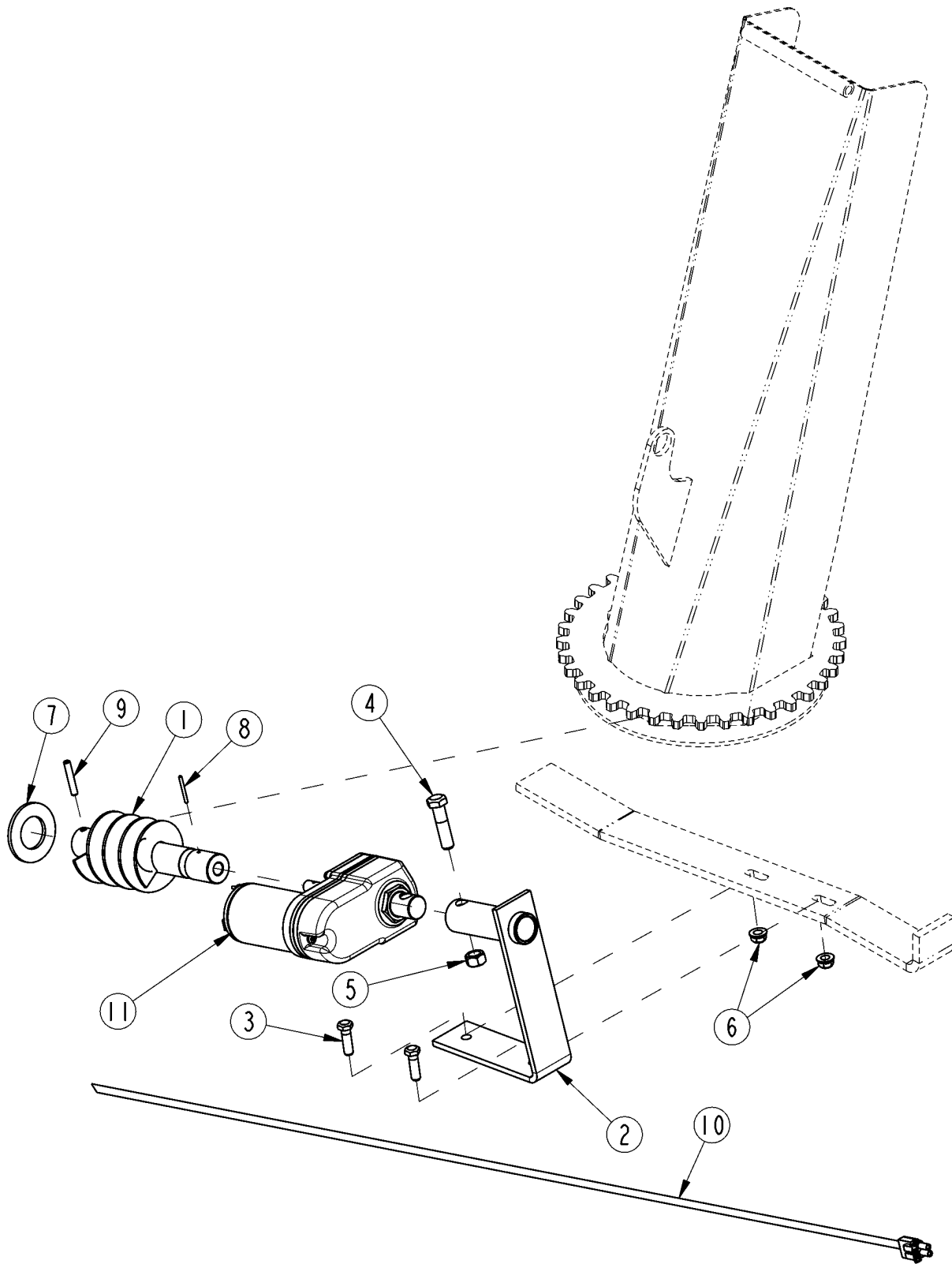
33119

**Gear Box (826-654C)****Applies to SB2584 S/N 881640-**

<b>Ref</b>	<b>Part No.</b>	<b>Part Description</b>	<b>Comments</b>	<b>Revision</b>
	dwg33119	Drawing Image Number		
	826-654C	GBOX 1:1 CCW *		
1.	8.7.1.00748	CO DOUBLE LIP SEAL 40X80X12		
2.	8.5.2.00030	CO SNAP RING 80 UNI 7437		
3.	822-191C	BRG ROLLER 1.57IDX3.14OD SET		
4.	A244.501	CO SHIM 40.3 X 51.5 826-067C		
5.	0.132.5002.00	GEAR Z18 M6.15		
6.	0.267.5000.00	GEAR Z18 M6.15		
7.	8.6.6.00201	CO PLUG 3/8 GAS (SOLID PLUG)		
8.	0.267.1500.00	COVER		
9.	8.1.1.00209	BOLT M10X16 HHB 8.8		
10.	A110.500	COMER SHIM 79.7 RTA35		
11.	0.267.4221.00	THROUGH SHAFT		
12.	8.5.1.00029	CO SNAP RING 40 UNI 7435		
13.	822-167C	BRG ROLLER 1.37IDX2.83OD SET		
14.	8.5.2.00131	CO SNAP RING INT 72 UN17437		
15.	0.267.7100.00	CO SPACER		
16.	822-166C	BRG BALL 1.37IDX2.83OD 6207		
17.	8.5.1.00005	CO SNAP RING EXT 35 UN17435		
18.	8.7.1.00152	OIL SEAL, 35 X 72 X 12/10		
19.	0.267.2000.00	SHAFT 16/32" Z19		
20.	A.259.500	CO ADJUST SPACER KIT, 35.3 X48		
21.	N/A	CASING		
22.	8.6.0.01684	SUB PLUG		
23.	826-503C	COMER VENT 8.6.7.00161		

# Chute Adjustment Electric S/N 759835-

Applies to SB2584 S/N 881640-



33067



**Chute Adjustment Electric S/N 759835-**

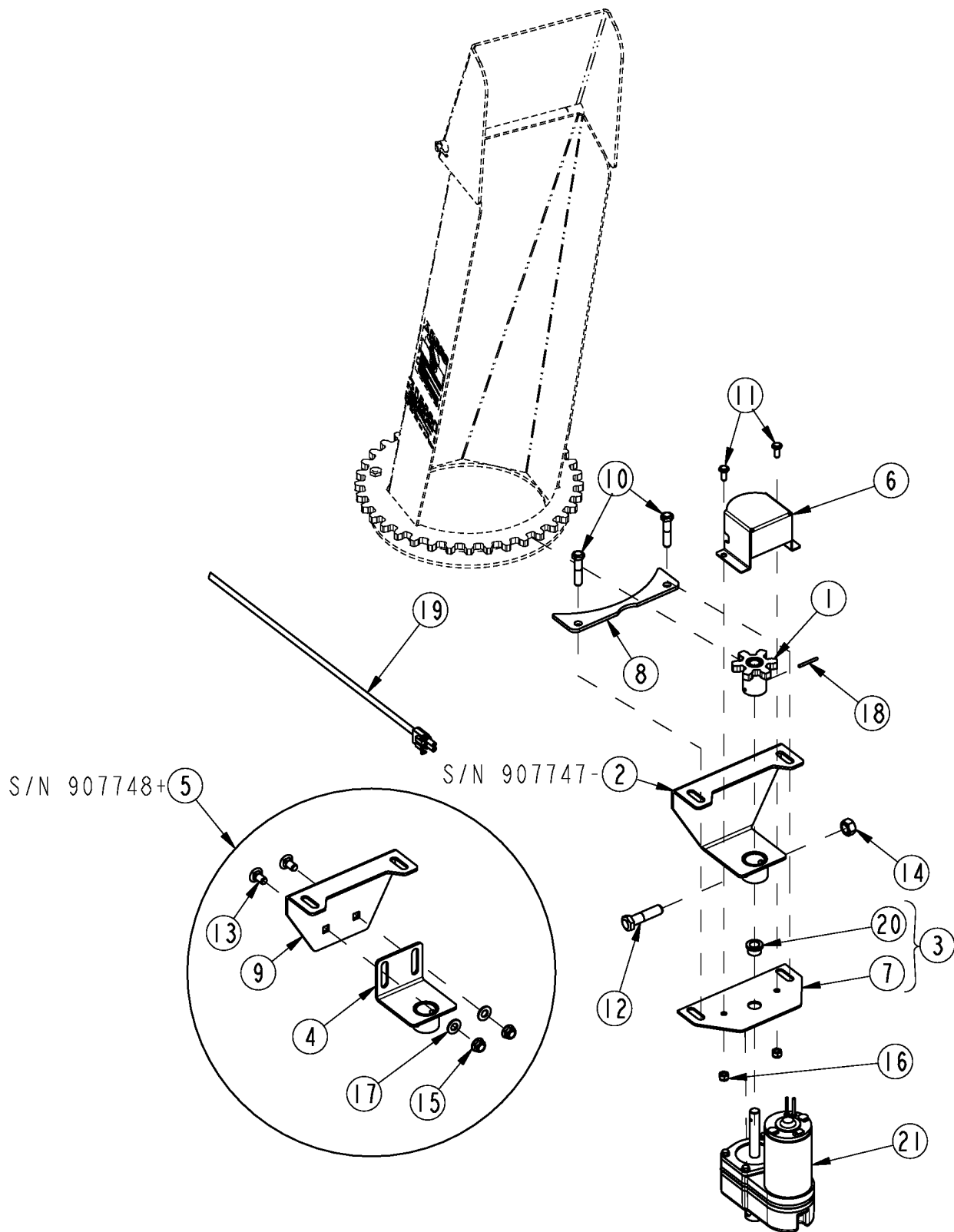
---

**Applies to SB2584 S/N 881640-**

<b>Ref</b>	<b>Part No.</b>	<b>Part Description</b>	<b>Comments</b>	<b>Revision</b>
	dwg33067	Drawing Image Number		
	370-028A	CHUTE ADJ ELECTRIC		
		*		
1.	370-078H	ROTATOR SHAFT WELD ELEC.		
2.	370-123H	ELECTRIC MOTOR MNT 10 SERIES		
3.	802-079C	HHCS 3/8-16X1 1/4 GR5		
4.	802-128C	HHCS 1/2-13X2 GR5		
5.	803-019C	NUT LOCK 1/2-13 PLT		
6.	803-209C	NUT FLANGE LOCK 3/8-16 PLT		
7.	804-039C	WASHER FLAT 1 1/4 SAE PLT		
8.	805-136C	PIN ROLL 1/8 X 1 1/4 LG. PLT		
9.	805-180C	PIN ROLL 1/4 X 1 1/2 LG PLT		
10.	823-379C	HARNESS ELEC. EXT. LDR		
11.	833-543C	ROTATOR ELEC.		

# Chute Adjustment Electric S/N 759836+

Applies to SB2584 S/N 881640-



35444

**Chute Adjustment Electric S/N 759836+****Applies to SB2584 S/N 881640-**

Ref	Part No.	Part Description	Comments	Revision
	dwg35444	Drawing Image Number		
	370-344A	CHUTE ADJ BUNDLE ELECTRIC *		
1.	370-342H	GEAR ELECTRIC		
2.	370-343H	RPBY 370-415K	S/N 907747-	
3.	370-379K	SHAFT STABILIZER		
4.	370-414H	ELECTRIC MOTOR MOUNT LOWER		
5.	370-415K	ELECTRONIC MOUNT BRKT	S/N 907748+	
6.	370-534D	GEAR GUARD		
7.	370-616D	BEARING MOUNT ELECTRIC		
8.	370-618D	BEARING STRAP		
9.	370-727D	ELECTRONIC MOTOR MOUNT UPPER		
10.	802-023C	HHCS 3/8-16X1 3/4 GR5		
11.	802-078C	HHCS 1/4-20X5/8 GR5		
12.	802-128C	HHCS 1/2-13X2 GR5		
13.	802-149C	RHSNB 3/8-16X3/4 GR5		
14.	803-019C	NUT LOCK 1/2-13 PLT		
15.	803-209C	NUT FLANGE LOCK 3/8-16 PLT		
16.	803-255C	NUT HEX NYLOCK 1/4-20		
17.	804-012C	WASHER FLAT 3/8 SAE PLT		
18.	805-136C	PIN ROLL 1/8 X 1 1/4 LG. PLT		
19.	823-379C	HARNESS ELEC. ROTATION		
20.	827-115C	BUSH .50IDX.81ODX.50 HD OILITE		
21.	833-543C	ROTATOR ELEC.		

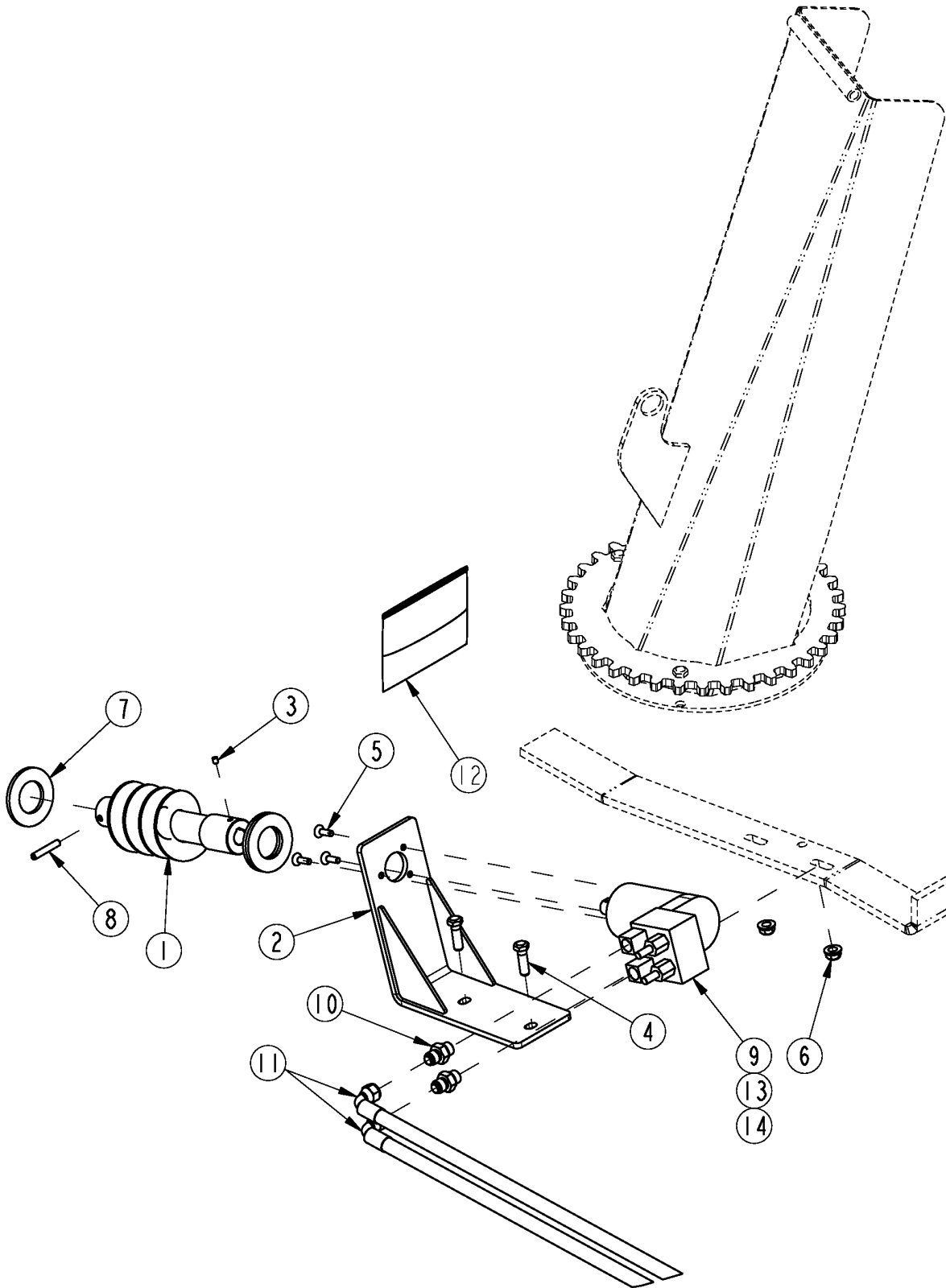


**Chute Adjustment Hydraulic S/N 721286-****Applies to SB2584 S/N 881640-**

Ref	Part No.	Part Description	Comments	Revision
	dwg33066	Drawing Image Number		
	370-024A	CHUTE ADJ HYD *		
1.	370-076H	ROTATOR SHAFT WELD		
2.	370-183D	HYD. MOTOR MOUNT		
3.	801-019C	SCREW SET SH 1/4-20 X 1/4 LG.		
4.	802-014C	HHCS 3/8-16X3/4 GR5		
5.	802-079C	HHCS 3/8-16X1 1/4 GR5		
6.	803-209C	NUT FLANGE LOCK 3/8-16 PLT		
7.	804-013C	WASHER LOCK SPRING 3/8 PLT		
8.	804-039C	WASHER FLAT 1 1/4 SAE PLT		
9.	805-180C	PIN ROLL 1/4 X 1 1/2 LG PLT		
10.	810-058C	VALVE 3/8 NEEDLE		
11.	810-267C	HYD MOTOR 7/8 ORBF		
12.	811-778C	EL 45 7/8MORB 3/4MJIC	S/N 714476+	
12.	811-081C	EL 7/8MORB 3/4MJIC	S/N 714475-	
13.	811-388C	EL 3/8MNPT 3/4MJIC		
14.	841-531C	HH3/8R2 55.5 3/4MORB 3/4FJIC		
15.	841-532C	AD 7/8MORB 3/8NPT		
16.	810-364C	SEAL KIT FOR EATON 810-267C		

# Chute Adjustment Hydraulic S/N 721287 to S/N 759835

Applies to SB2584 S/N 881640-



33406

**Chute Adjustment Hydraulic S/N 721287 to S/N 759835**

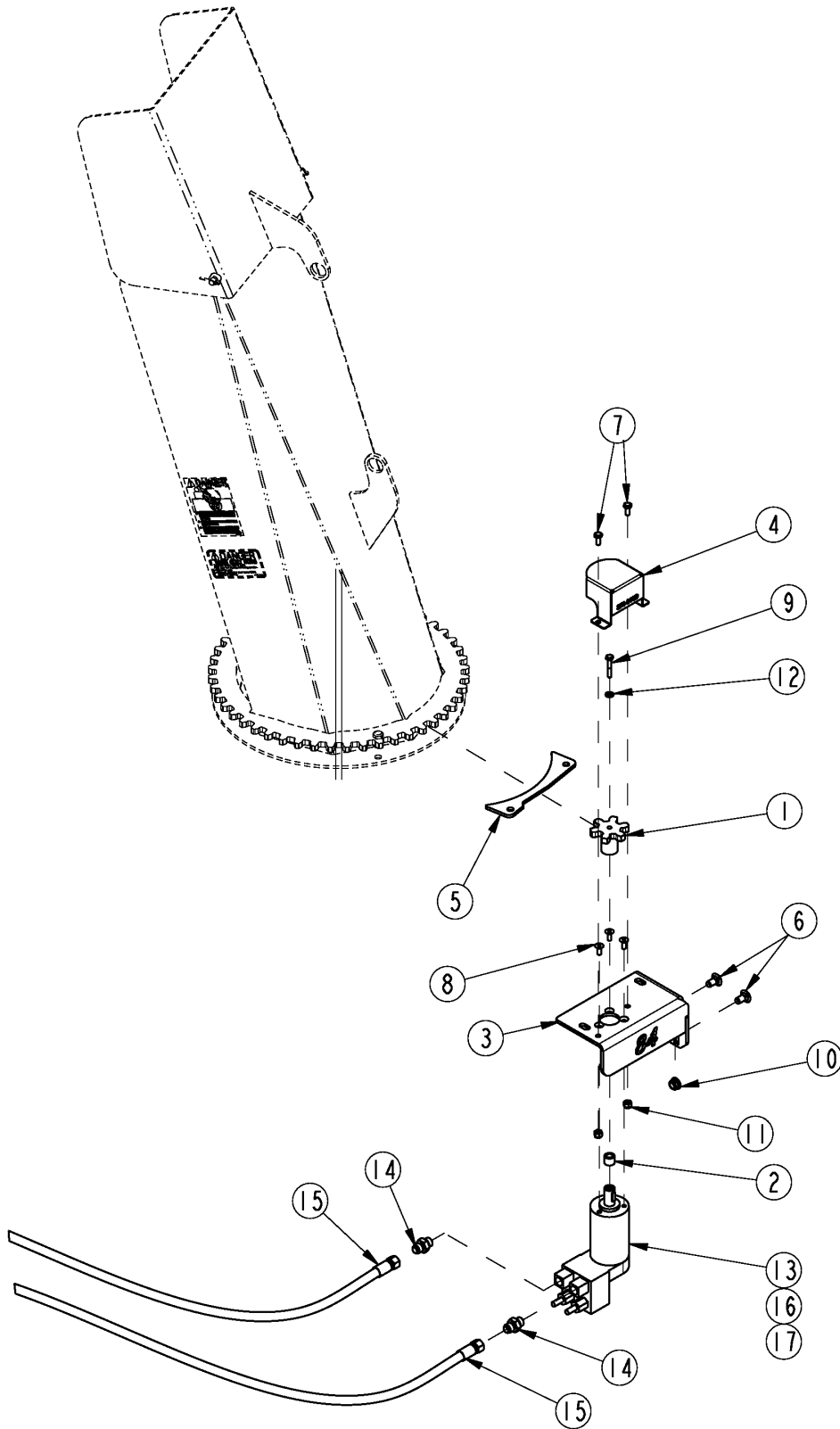
---

**Applies to SB2584 S/N 881640-**

Ref	Part No.	Part Description	Comments	Revision
	dwg33406	Drawing Image Number		
	370-077A	CHUTE ADJ BUNDLE HYD *		
1.	370-150H	ROTATOR SHAFT WELD		
2.	370-151H	HYD MOTOR MNT		
3.	801-019C	SCREW SET SH 1/4-20 X 1/4 LG.		
4.	802-079C	HHCS 3/8-16X1 1/4 GR5		
5.	802-939C	HSFCHCS M6X1X20 GR10.9		
6.	803-209C	NUT FLANGE LOCK 3/8-16 PLT		
7.	804-039C	WASHER FLAT 1 1/4 SAE PLT		
8.	805-180C	PIN ROLL 1/4 X 1 1/2 LG PLT		
9.	810-751C	HYD MOTOR W/CROSS RELIEF		
10.	811-170C	AD 9/16MORB 9/16MJIC		
11.	841-594C	HH3/8R2 60 3/4MORB 9/16FJIC 90		
12.	810-808C	SEAL KIT, HYDRO GEAR 810-751C		
13.	ZHSK-EBMM	SEAL KIT FOR EBMM MOTORS		
14.	SK-SCR0622000A	SEAL KIT FOR CUSHION JCK06-22-00		

# Chute Adjustment Hydraulic S/N 759836+

Applies to SB2584 S/N 881640-



35443

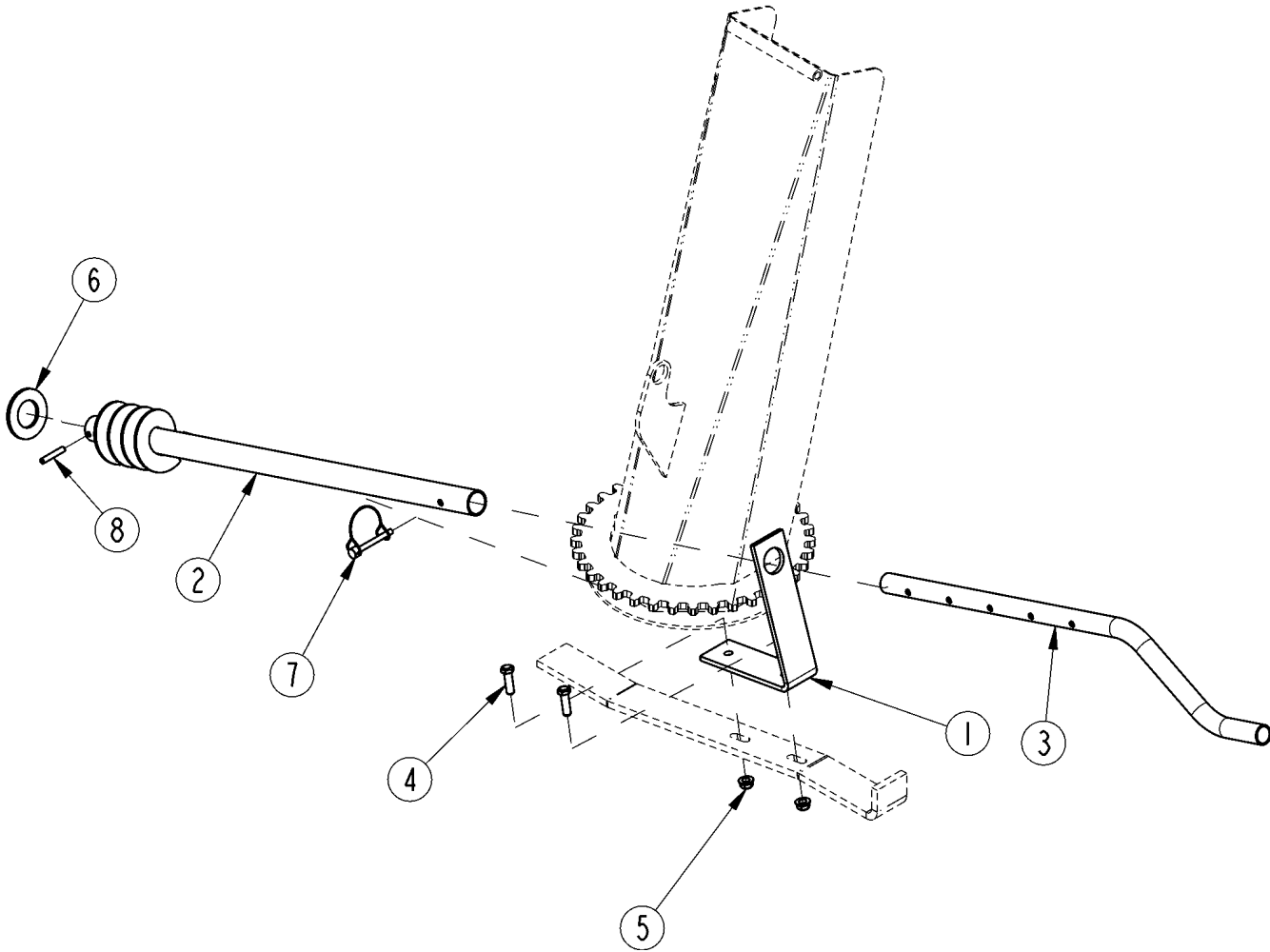


**Chute Adjustment Hydraulic S/N 759836+****Applies to SB2584 S/N 881640-**

Ref	Part No.	Part Description	Comments	Revision
	dwg35443	Drawing Image Number		
	370-341A	CHUTE ADJ BUNDLE HYD *		
1.	370-294H	DRIVE GEAR ROTATION		
2.	370-533D	GEAR SPACER		
3.	370-687D	CHUTE ADJ MOUNT HYD	S/N 826216+	
3.	370-612D	RPBY 370-687D	S/N 826215-	
4.	370-613D	GEAR COVER		
5.	370-614D	BEARING STRAP		
6.	802-149C	RHSNB 3/8-16X3/4 GR5	S/N 826216+	
6.	802-014C	HHCS 3/8-16X3/4 GR5	S/N 826215-	
7.	802-078C	HHCS 1/4-20X5/8 GR5		
8.	802-939C	HSFCHCS M6X1X16 GR10.9		
9.	802-952C	HHCS M6X1X35 GR8.8		
10.	803-209C	NUT FLANGE LOCK 3/8-16 PLT		
11.	803-255C	NUT HEX NYLOCK 1/4-20		
12.	804-006C	WASHER LOCK SPRING 1/4 PLT		
13.	810-751C	HYD MOTOR W/CROSS RELIEF		
14.	811-170C	AD 9/16MORB 9/16MJIC		
15.	841-773C	HH3/8R2 81.84 .56FJIC.75MORB		
16.	ZHSK-EBMM	SEAL KIT FOR EBMM MOTORS		
17.	SK-SCR0622000A	SEAL KIT FOR CUSHION JCK06-22-00		

# Chute Adjustment Manual

Applies to SB2584 S/N 881640-



33065

## **Chute Adjustment Manual**

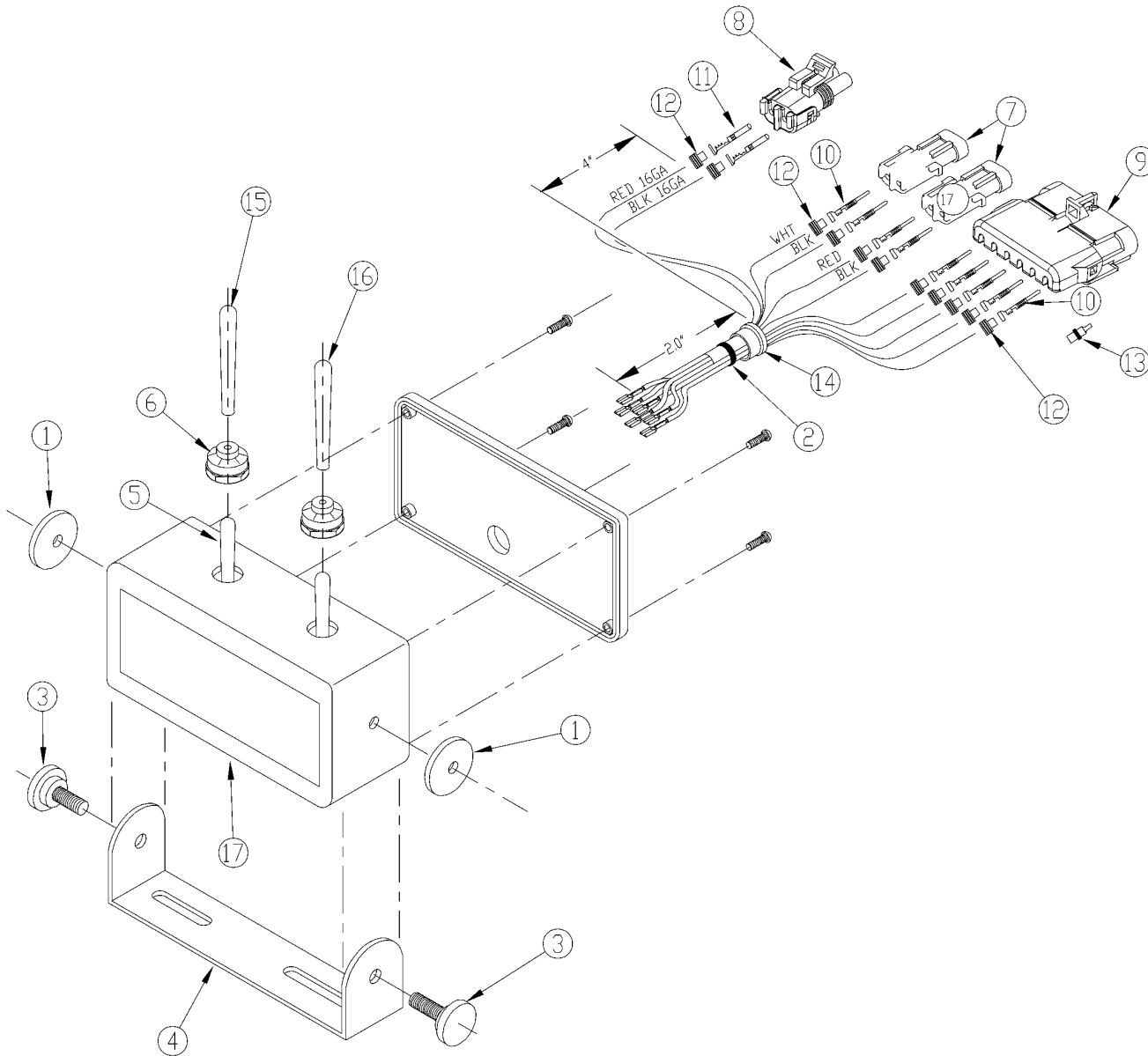
---

**Applies to SB2584 S/N 881640-**

<b>Ref</b>	<b>Part No.</b>	<b>Part Description</b>	<b>Comments</b>	<b>Revision</b>
	dwg33065	Drawing Image Number		
	370-099A	CHUTE ADJ BUNDLE MAN RET *		
1.	370-068D	CHUTE ADJ MOUNT		
2.	370-100H	CHUTE ADJ WORM WELD		
3.	370-208D	ROTATION HANDLE		
4.	802-079C	HHCS 3/8-16X1 1/4 GR5		
5.	803-209C	NUT FLANGE LOCK 3/8-16 PLT		
6.	804-039C	WASHER FLAT 1 1/4 SAE PLT		
7.	805-065C	PIN WIRE RETAINING 1/4 X 1 3/4		
8.	805-180C	PIN ROLL 1/4 X 1 1/2 LG PLT		

# Control Box (823-377C)

Applies to SB2584 S/N 881640-



33091

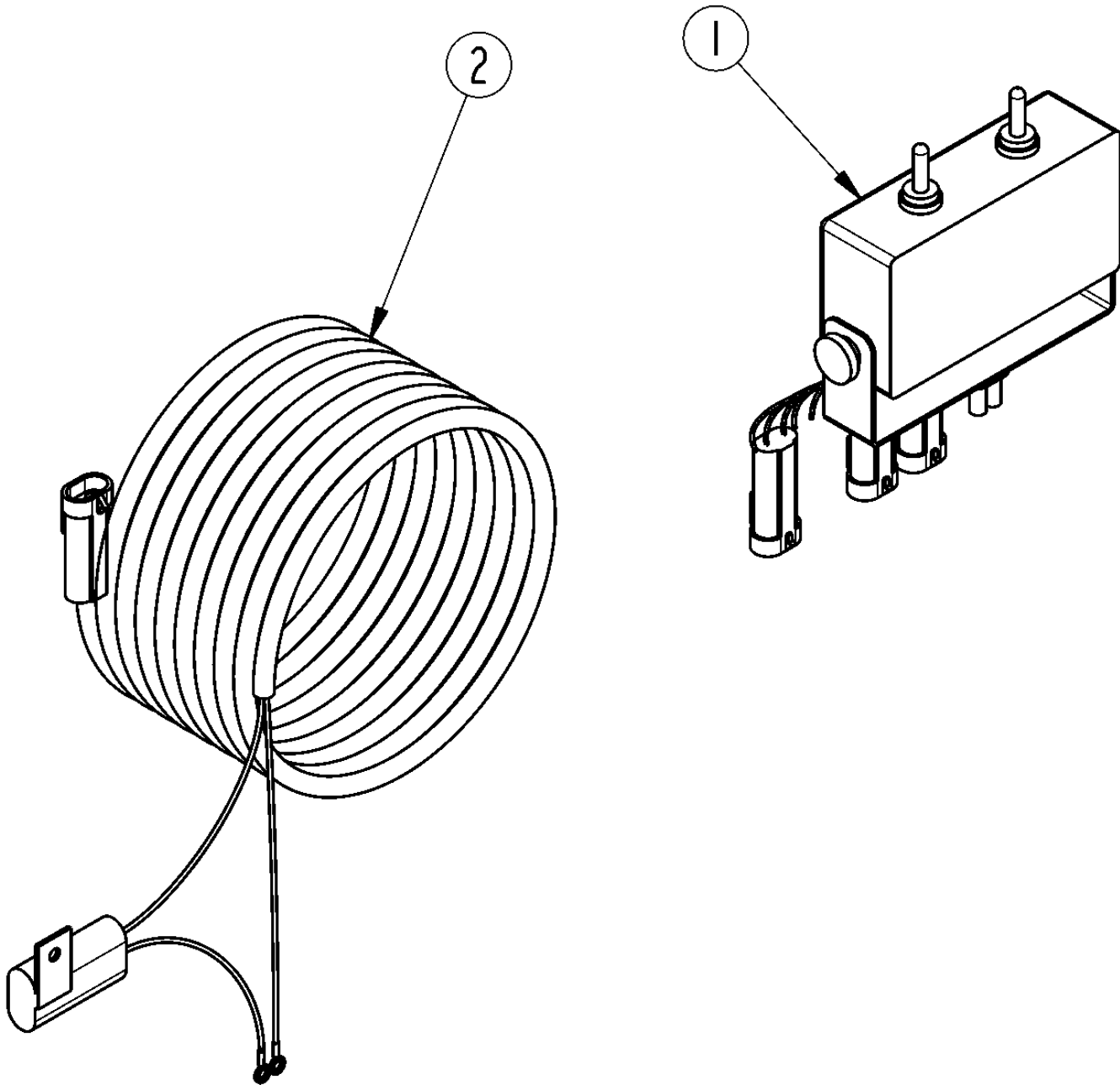
**Control Box (823-377C)**

**Applies to SB2584 S/N 881640-**

Ref	Part No.	Part Description	Comments	Revision
	dwg33091 823-377C	Drawing Image Number CONTROL BOX SNOW BLOWER *		
1.	213-005	FASSE WSHR RBR1ODX1/4IDX1/16TK		
2.	800-303C	CABLE TIE 2 DIA MIN - BLK		
3.	219-007	FASSE SCR THUMB BLK 1/4-20X1/2		
4.	219-009	FASSE BRKT ALM 4.70 #1591C		
5.	250-007	FASSE SW TOG DPDT 3P MOM SHORT		
6.	250-023	FASSE SW TOG BOOT OPN BLK		
7.	255-092	FASSE CNTR WP 2 PIN SHROUD		
8.	255-093	WEATHERPACK CTR 2 PIN SHROUD		
9.	255-098	CNTR WP 6 PIN SHROUD		
10.	255-102	WEATHERPACK CTR MALE TRM 14/16		
11.	255-103	WEATHERPACK CNTR F TRM 14/16		
12.	255-104	WEATHERPACK CNTR CABLE SEAL GR		
13.	255-186	CNTR WP CAVITY PLUG		
14.	259-001	FASSE GROMMET .5000D SNAP		
15.	259-004	FASSE SW TOG GRP VNYL WHT .187		
16.	259-005	FASSE SW TOG GRP VNYL RED .187		
17.	304-345	ECL 1591CBK/6060A-2X1/2SWSXTSX		

# Electric Switch Box Harness

Applies to SB2584 S/N 881640-



33090

## ***Electric Switch Box Harness***

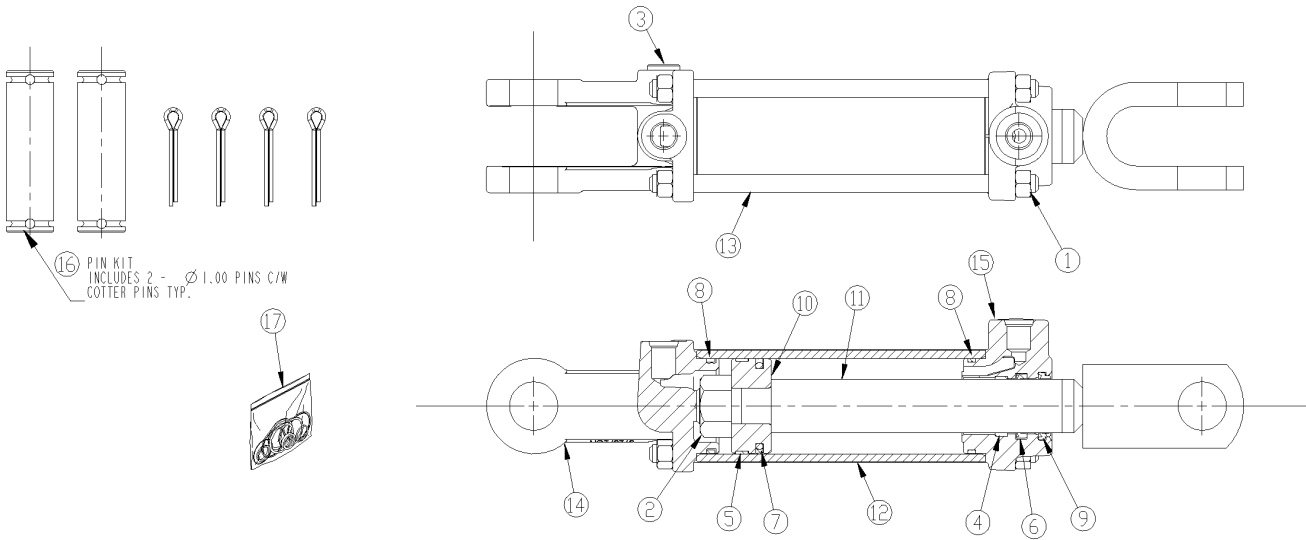
---

**Applies to SB2584 S/N 881640-**

<b>Ref</b>	<b>Part No.</b>	<b>Part Description</b>	<b>Comments</b>	<b>Revision</b>
	dwg33090	Drawing Image Number		
	370-118A	HARNESS SNOW BLOWER ELECTRIC *		
1.	823-377C	CONTROL BOX SNOW BLOWER		
2.	823-386C	HARNESS, POWER		

# Hydraulic Cylinder Double Acting (810-125C) Lion

Applies to SB2584 S/N 881640-



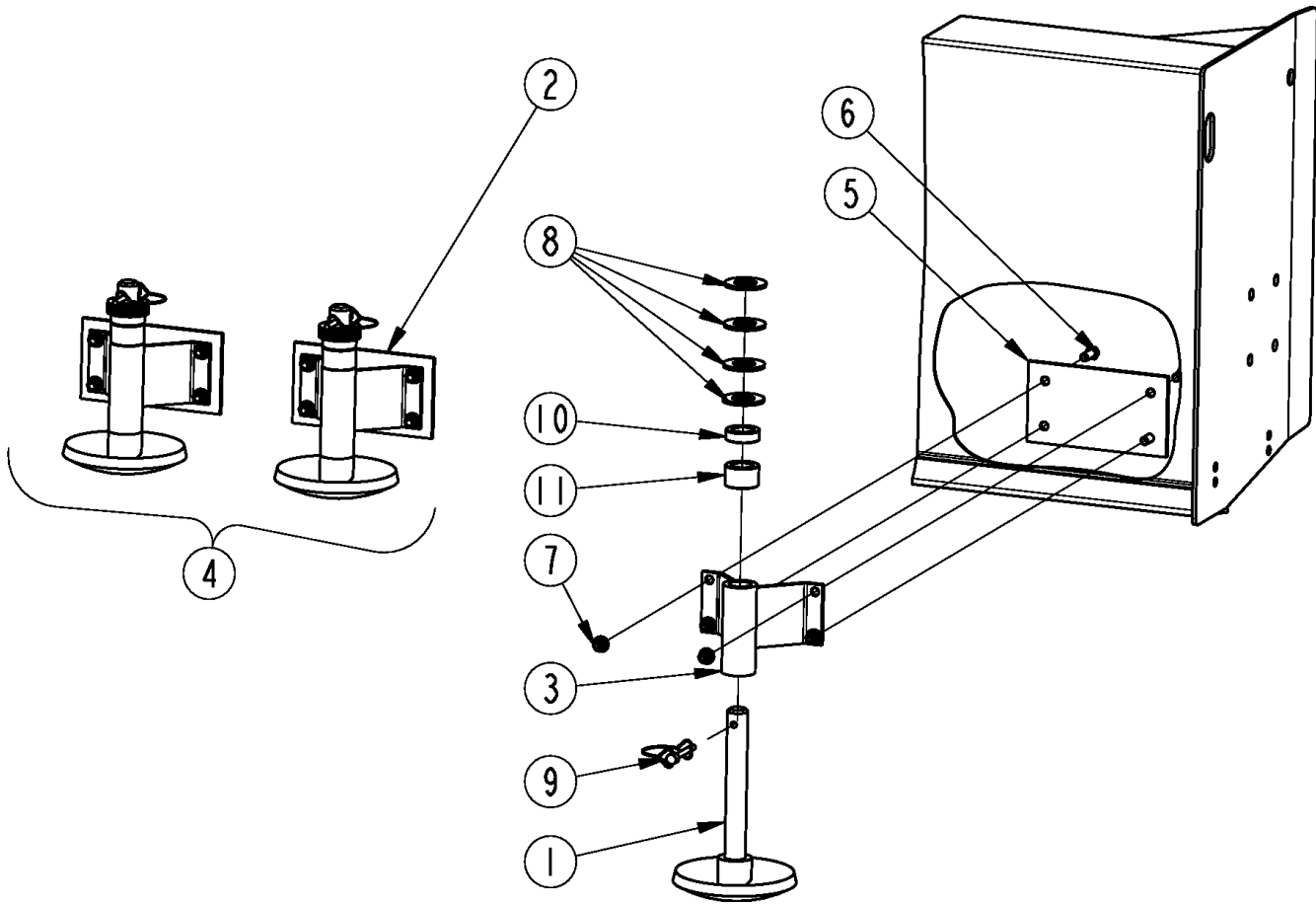


***Hydraulic Cylinder Double Acting (810-125C) Lion*****Applies to SB2584 S/N 881640-**

<b>Ref</b>	<b>Part No.</b>	<b>Part Description</b>	<b>Comments</b>	<b>Revision</b>
	dwg13565	Drawing Image Number		
	810-125C	CYL 2X4X1.12 ROD DBL ACTING *		
1.	803-014C	NUT HEX 3/8-16 PLT		
2.	130556	MON PISTON NUT		
3.	186561	PLUG 9/16-18UNF MORB SOCKET HD		
4.	N/A	MON WEAR RING 1.25-1.13-0.250	In Seal Kit Item #17	
5.	N/A	MON WEAR RING 2.00-1.88-0.260	In Seal Kit Item #17	
6.	N/A	MON SEAL ZURCON U-CUP RU9 1.13	In Seal Kit Item #17	
7.	N/A	MON SEAL ZURCON WYNSEAL 2.00	In Seal Kit Item #17	
8.	N/A	MON SEAL DUAL 2.00-.170	In Seal Kit Item #17	
9.	N/A	MON SEAL WIPER 1.13 WNUC TSS	In Seal Kit Item #17	
10.	258851	MON PISTON 2.00-.75-TSS-ISO-WR		
11.	437208	LION ROD WLDMT 1 1/8X4 STROKE		
12.	491604	LION CYL. TUBE 2 X 4		
13.	492214	MON TIE ROD 3/8-04		
14.	492669	MON CLEVS CAP 2.00-9/16ORB-1.0		
15.	494382	MON ROD CAP 2.0-1.12-9/16ORB-TS		
16.	235005	MON PIN KIT 1.00C/W COTTER PIN		
17.	810-883C	MON SEAL KIT 620271		

# Inner Skid Shoes

Applies to SB2584 S/N 881640-



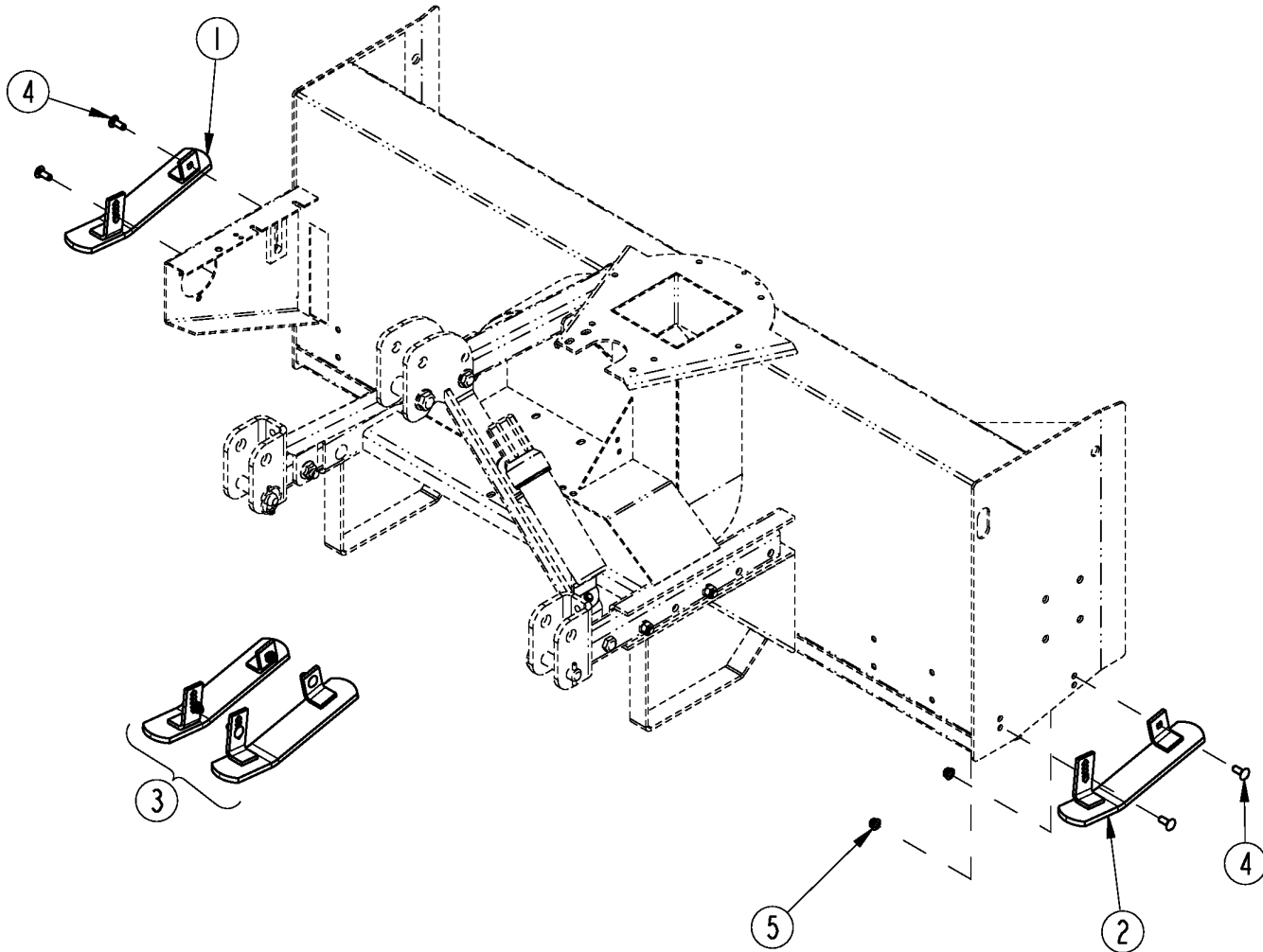
**Inner Skid Shoes**

**Applies to SB2584 S/N 881640-**

Ref	Part No.	Part Description	Comments	Revision
	dwg33073	Drawing Image Number		
1.	301-293H	WELDMENT, TB SKID SHOE		
2.	370-103K	SKID SHOE ASSEMBLY		
3.	370-104H	SKID SHOE MOUNT		
4.	370-105A	SKID SHOE BUNDLE		
5.	370-210D	SKID SHOE MOUNT INBOARD		
6.	802-017C	HHCS 3/8-16X1 GR5		
7.	803-209C	NUT FLANGE LOCK 3/8-16 PLT		
8.	804-029C	WASHER FLAT 1 SAE		
9.	805-065C	PIN WIRE RETAINING 1/4 X 1 3/4		
10.	827-001C	SPACER 1/2		
11.	827-002C	SPACER 1		

# Outer Skid Shoes

Applies to SB2584 S/N 881640-



33072

## **Outer Skid Shoes**

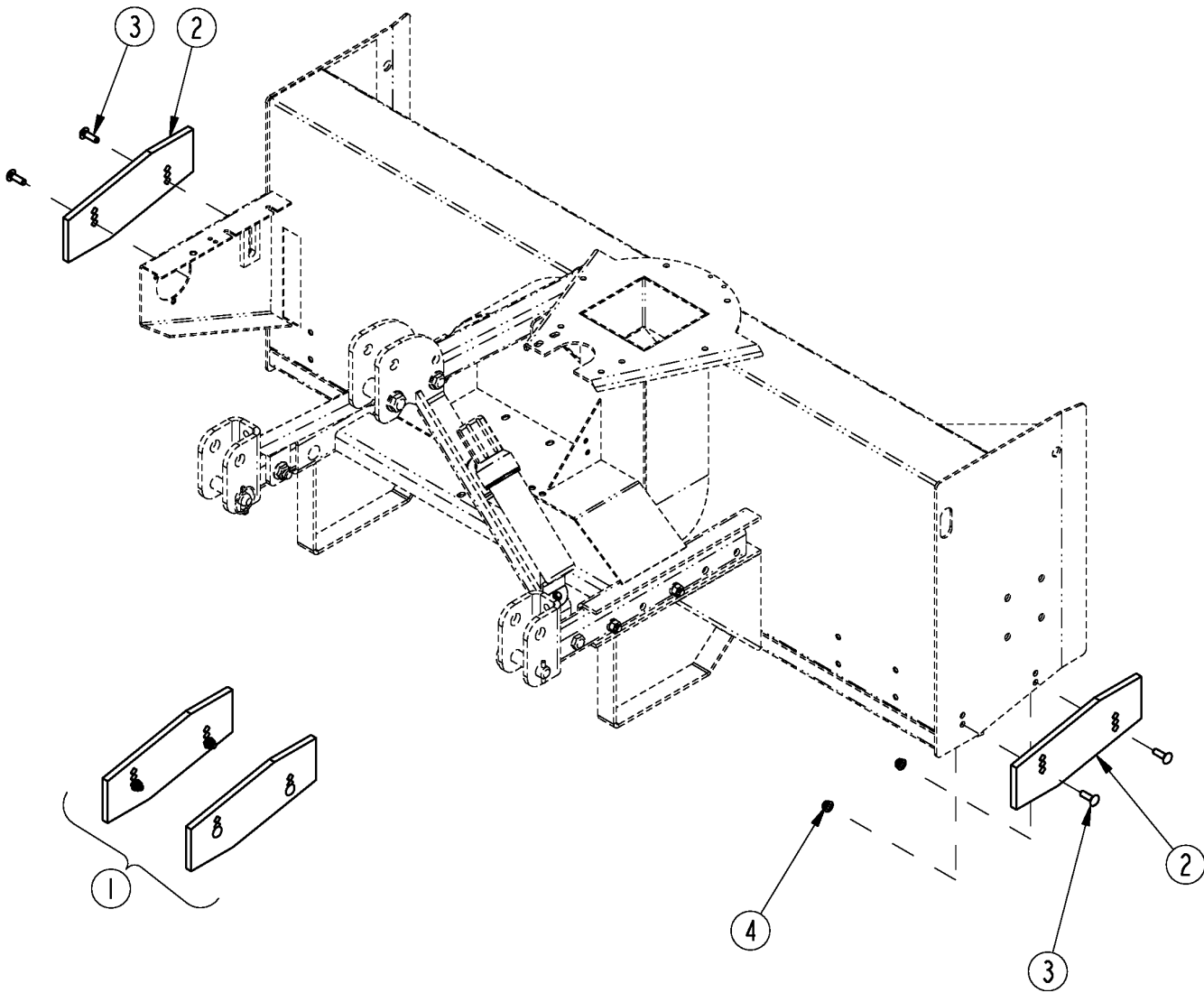
---

**Applies to SB2584 S/N 881640-**

<b>Ref</b>	<b>Part No.</b>	<b>Part Description</b>	<b>Comments</b>	<b>Revision</b>
	dwg33072	Drawing Image Number		
1.	370-113H	SKID SHOE OUTER LH		
2.	370-114H	SKID SHOE OUTER RH		
3.	370-115A	OUTER SKID SHOE BUNDLE		
4.	802-015C	RHSNB 3/8-16X1 GR5		
5.	803-209C	NUT FLANGE LOCK 3/8-16		

# Side Adjustment Plates

Applies to SB2584 S/N 881640-



33071

**Side Adjustment Plates**

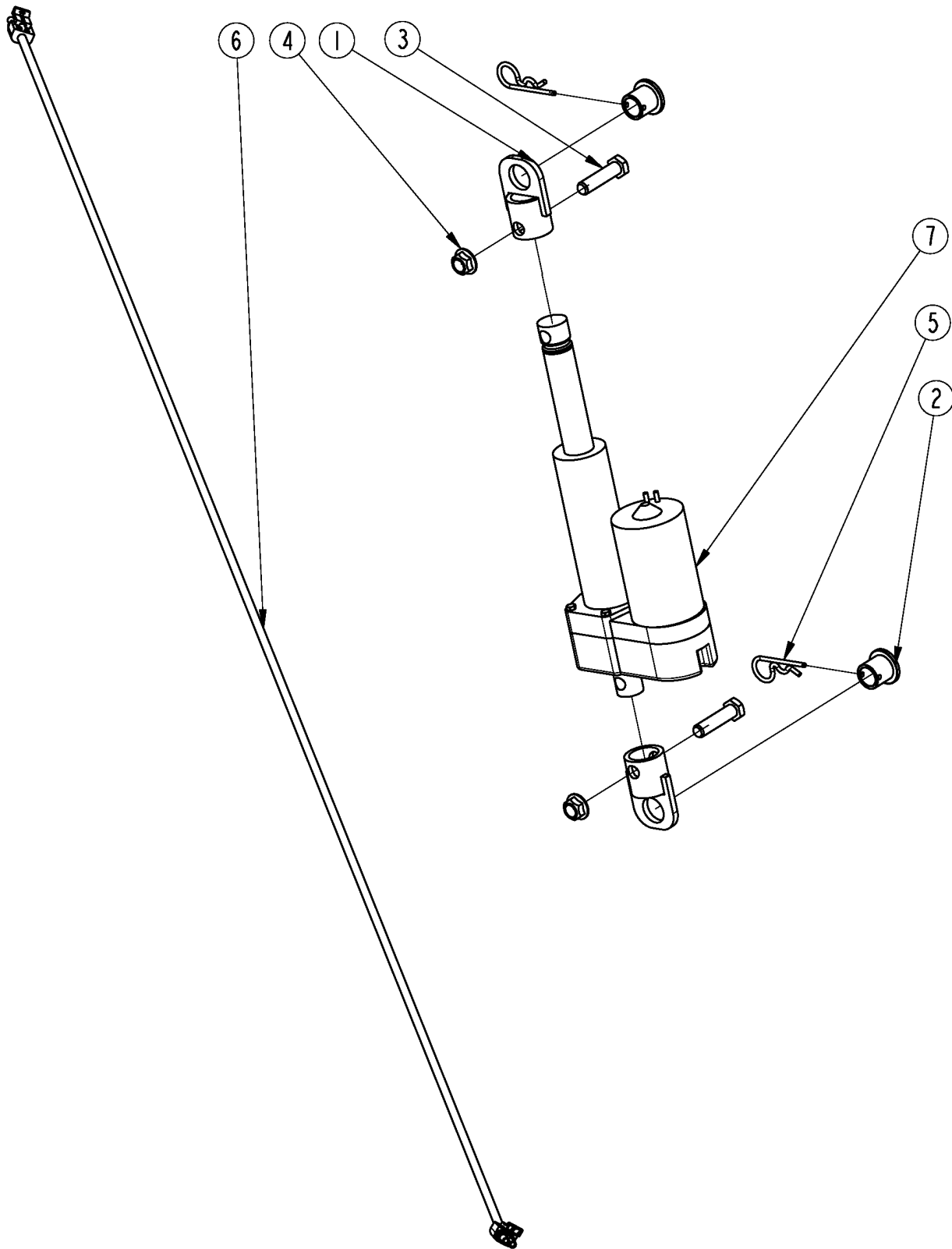
---

**Applies to SB2584 S/N 881640-**

<b>Ref</b>	<b>Part No.</b>	<b>Part Description</b>	<b>Comments</b>	<b>Revision</b>
	dwg33071	Drawing Image Number		
1.	370-106A	SIDE PLATE ADJ BUNDLE		
2.	370-212D	SIDE PLATE ADJUSTABLE		
3.	802-155C	RHSNB 3/8-16X1 1/4 GR5		
4.	803-209C	NUT FLANGE LOCK 3/8-16 PLT		

# Tilt Adjustment Electric

Applies to SB2584 S/N 881640-



33070



## ***Tilt Adjustment Electric***

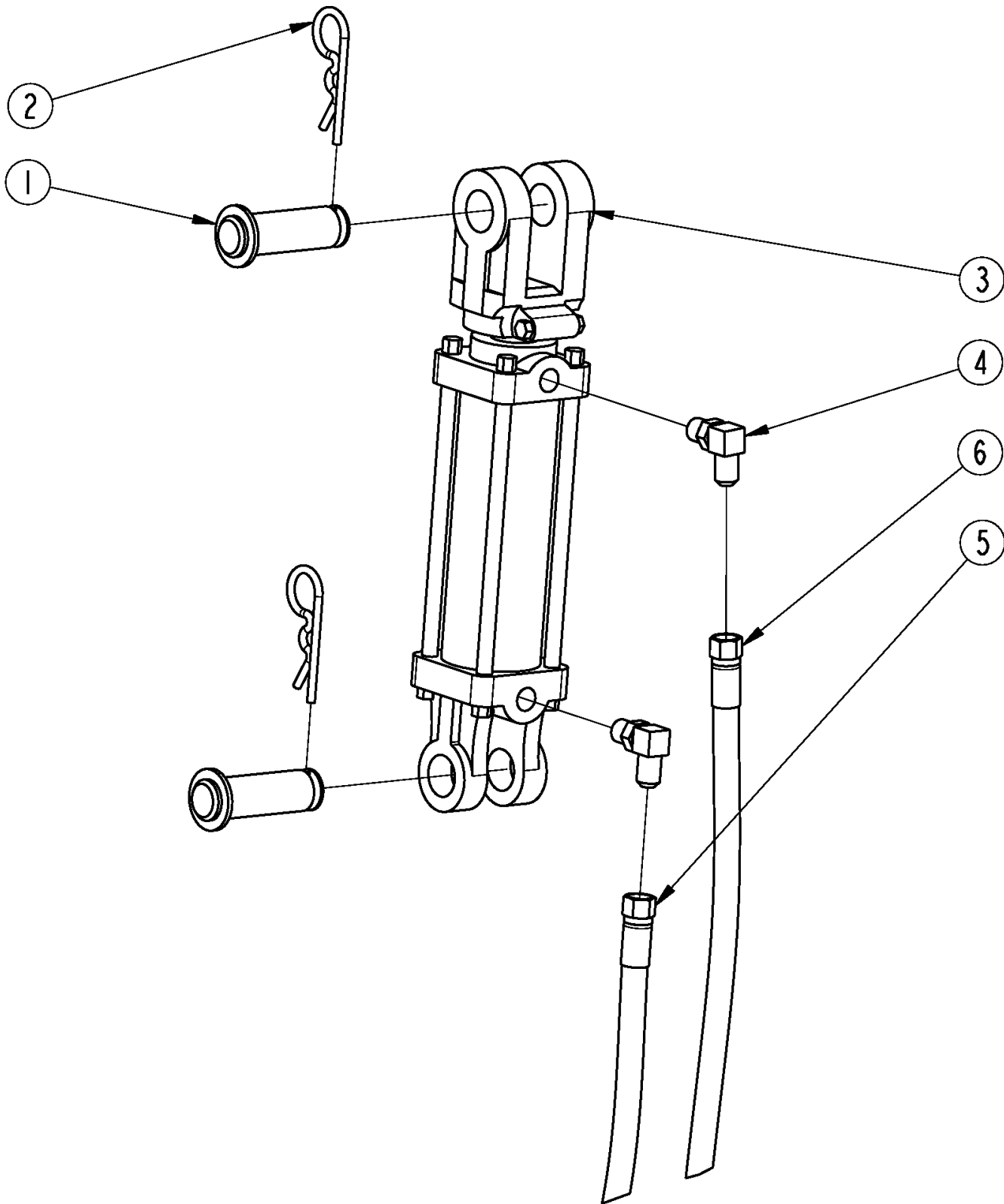
---

**Applies to SB2584 S/N 881640-**

<b>Ref</b>	<b>Part No.</b>	<b>Part Description</b>	<b>Comments</b>	<b>Revision</b>
	dwg33070	Drawing Image Number		
	370-029A	TILT ADJ ELECTRIC		
	*			
1.	370-069H	ACTUATOR ROD END WELD		
2.	370-243D	TILT PIN		
3.	802-128C	HHCS 1/2-13X2 GR5		
4.	803-169C	NUT HEX FLG LOCK 1/2-13 PLT		
5.	805-032C	PIN HAIR COTTER .148 WIRE		
6.	823-378C	HARNESS ELEC. TILT		
7.	833-557C	ACCUATOR, TILT SNOW BLOWER		

# Tilt Adjustment Hydraulic

Applies to SB2584 S/N 881640-



33069

## ***Tilt Adjustment Hydraulic***

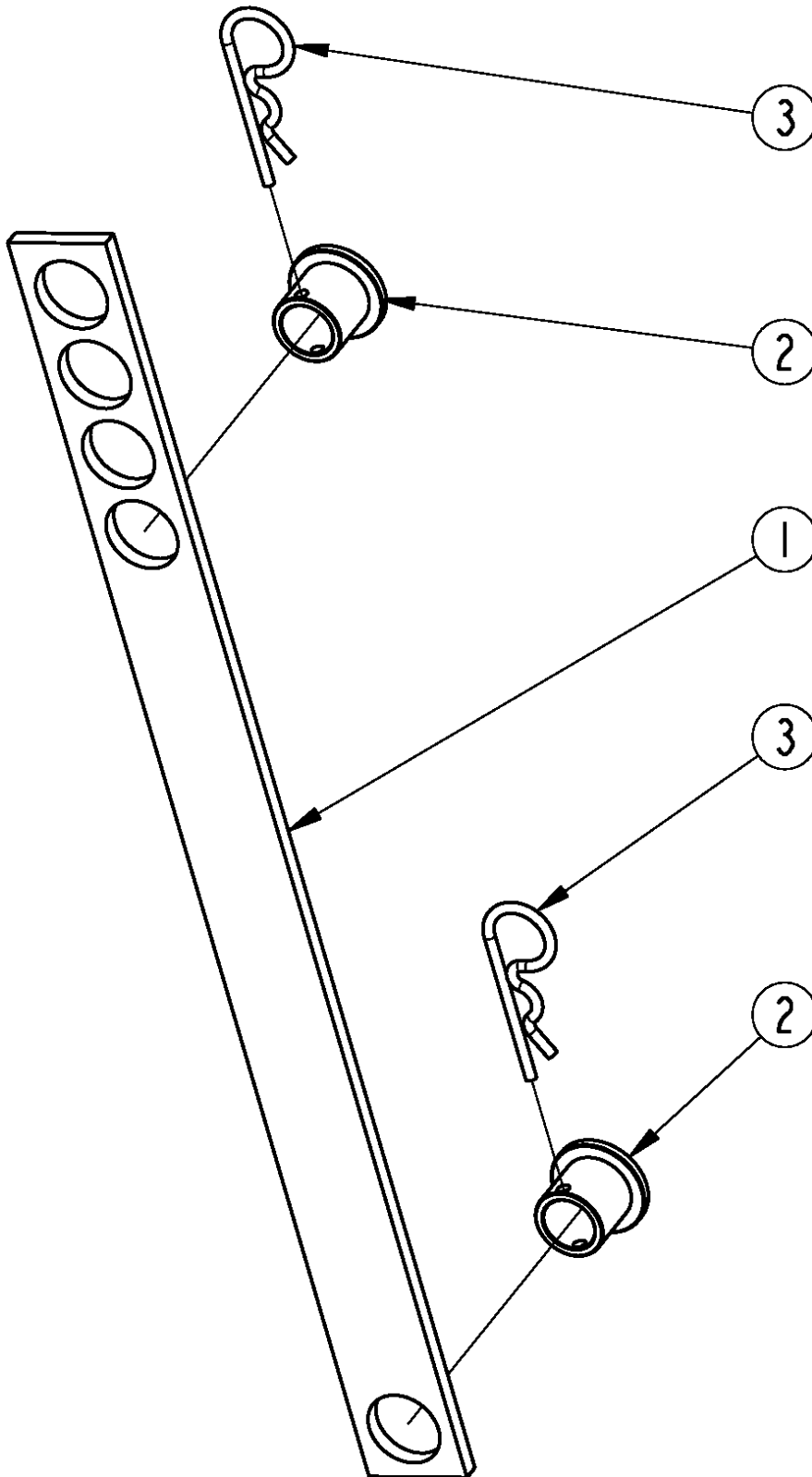
---

**Applies to SB2584 S/N 881640-**

<b>Ref</b>	<b>Part No.</b>	<b>Part Description</b>	<b>Comments</b>	<b>Revision</b>
	dwg33069 370-023A	Drawing Image Number TILT ADJ HYDRAULIC *		
1.	805-004C	PIN CLEVIS 1 X 2 3/4 USABLE LG		
2.	805-088C	PIN, HAIR COTTER 3/16 WIRE DIA		
3.	810-125C	CYL 2X4X1.12 ROD DBL ACTING		
4.	811-062C	OREL 1/32 9/16MJIC 9/16MORB		
5.	841-533C	HH3/8R2 76.43 3/4MORB 9/16FJIC		
6.	841-534C	HH3/8R2 83.84 3/4MORB 9/16FJIC		

# Tilt Adjustment Manual

Applies to SB2584 S/N 881640-



33068

## ***Tilt Adjustment Manual***

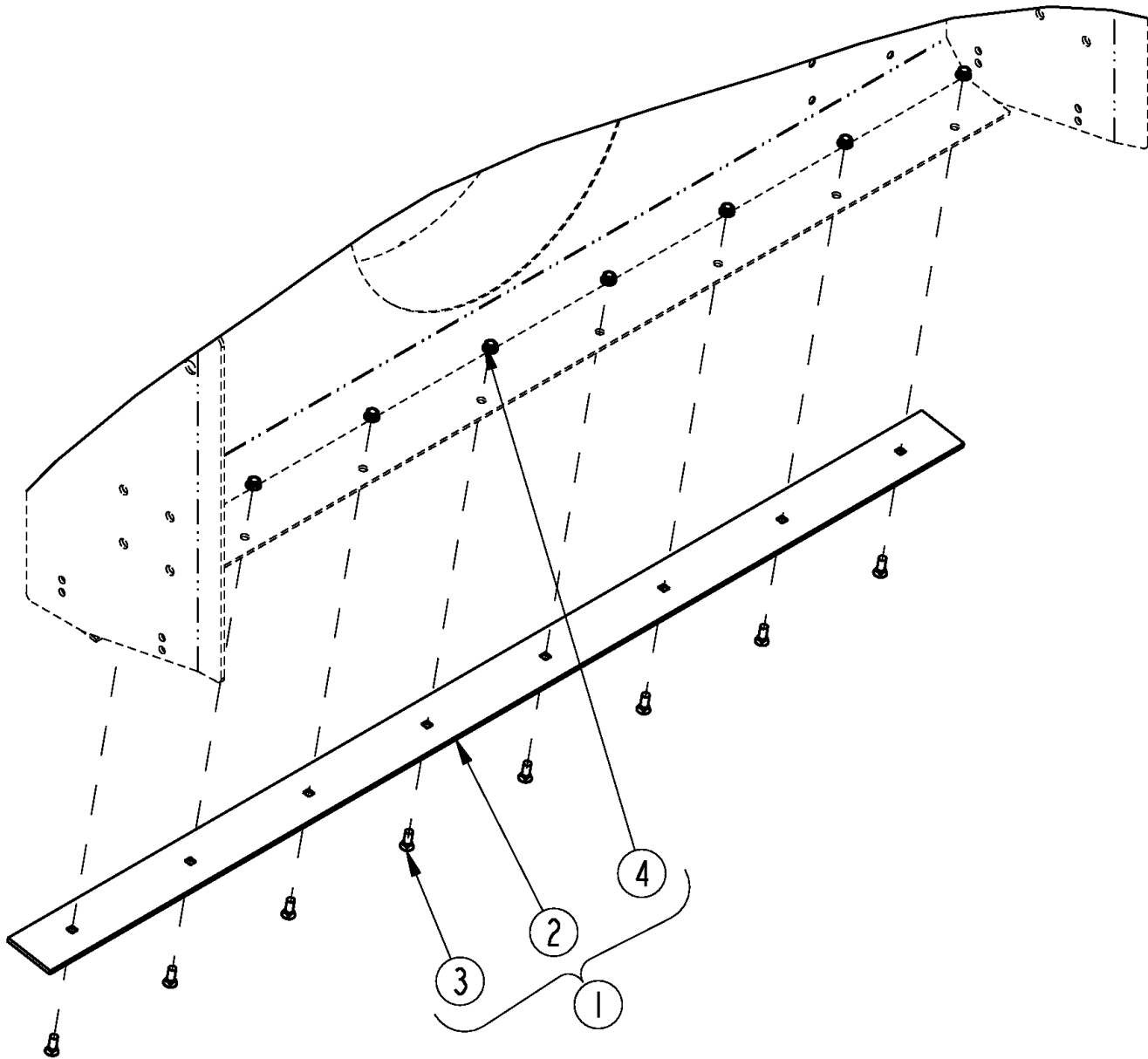
---

**Applies to SB2584 S/N 881640-**

<b>Ref</b>	<b>Part No.</b>	<b>Part Description</b>	<b>Comments</b>	<b>Revision</b>
	dwg33068	Drawing Image Number		
	370-030A	TILT ADJ MANUAL		
		*		
1.	370-055D	TILT ADJ MANUAL		
2.	370-243D	TILT PIN		
3.	805-032C	PIN HAIR COTTER .148 WIRE		

# Wear Bar Kit SB25

Applies to SB2584 S/N 881640-



33074

## **Wear Bar Kit SB25**

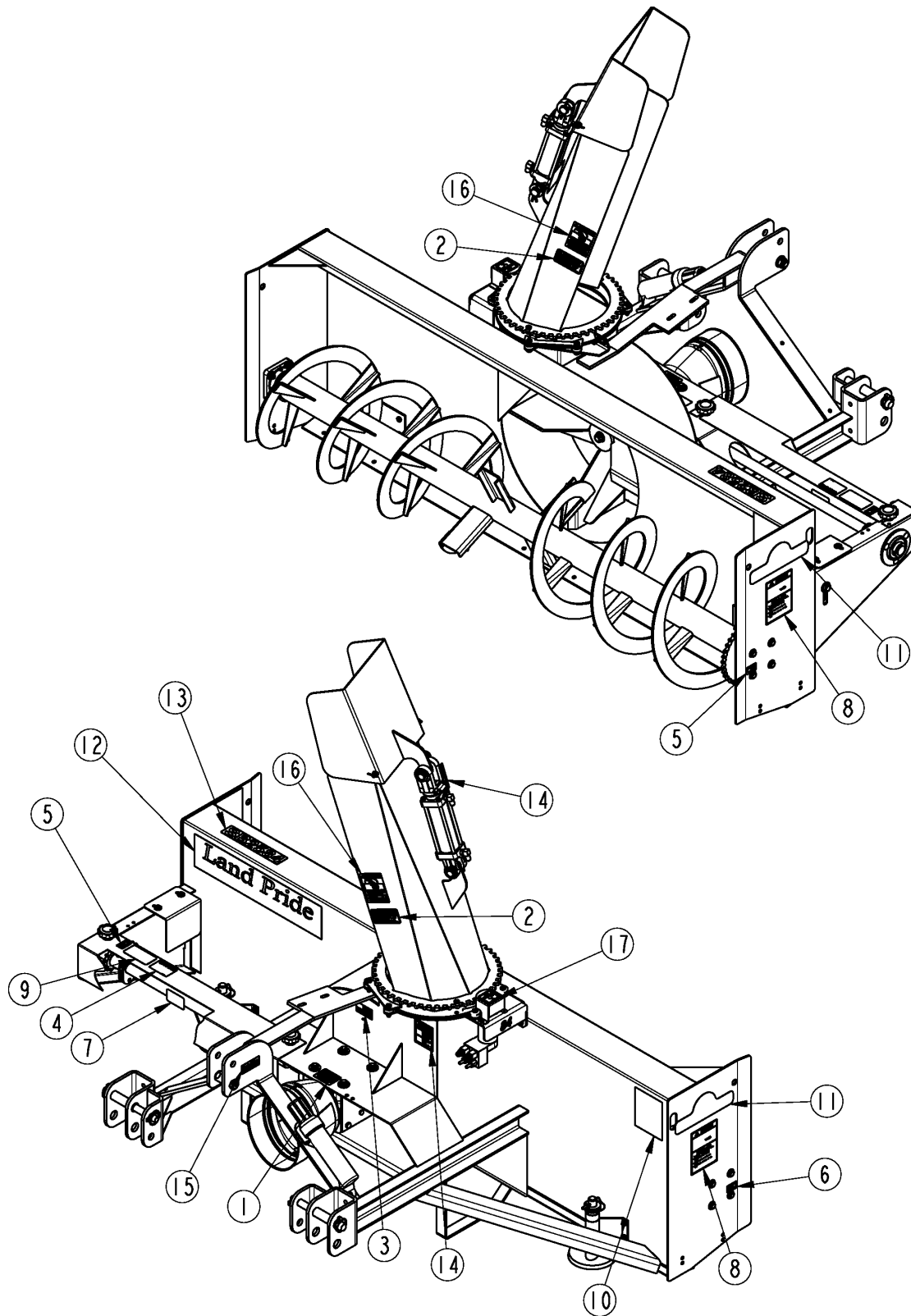
---

**Applies to SB2584 S/N 881640-**

<b>Ref</b>	<b>Part No.</b>	<b>Part Description</b>	<b>Comments</b>	<b>Revision</b>
	dwg33074	Drawing Image Number		
1.	370-111A	HARDENED WEAR BAR BUNDLE SB2584		
1.	370-445A	MILD WEAR BAR BUNDLE SB2584		
2.	370-215D	HARDENED WEAR BAR SB2584		
2.	370-745D	MILD WEAR BAR SB2584		
3.	802-603C	PLOW 3/8-16X1 GR5		
4.	803-209C	NUT LANGE LOCK 3/8-16		

# Label Placement

Applies to SB2584 S/N 881640-



33104



**Label Placement****Applies to SB2584 S/N 881640-**

<b>Ref</b>	<b>Part No.</b>	<b>Part Description</b>	<b>Comments</b>	<b>Revision</b>
	dwg33104	Drawing Image Number		
1.	818-130C	DECAL CAUTION 540 RPM		
2.	818-132C	DECAL DANGER THROWN OBJECT HAZ		
3.	818-190C	DECAL FLAG		
4.	818-205C	DECAL WARNING MOVING PARTS HAZ		
5.	818-349C	DECAL GREASE 10 HRS LH		
6.	818-402C	DECAL GREASE 10 HRS RH		
7.	818-522C	DECAL MOVING PARTS DANGER		
8.	818-634C	DECAL DANGER AD ROTATING AUGER		
9.	818-798C	DECAL WARNING PINCH POINT GEN		
10.	818-858C	DECAL CAUTION GENERAL SAFTEY		
11.	818-892C	DECAL LP W/TREE 10" - 3 COLOR	Beige Unit	
11.	838-963C	DECAL LP 10" W/TREE BROWN/GOLD	Orange Unit	
12.	818-907C	DECAL LANDPRIDE 22" - BROWN	Beige Unit	
12.	838-966C	DECAL LANDPRIDE 22" BROWN/GOLD	Orange Unit	
13.	848-591C	DECAL SB2584 BROWN	Beige Unit	
13.	848-592C	DECAL SB2584 GOLD	Orange Unit	
14.	848-747C	DECAL HIGH PRESSURE FLUIDS		
15.	838-517C	DECAL QUICK HITCH SYSTEM		
16.	848-840C	DECAL DANGER ROTATING IMPELLER		
17.	858-148C	DECAL PIC--PINCH POINT		



# Part Number Index

The Part Number Index is a numeric index of all part numbers included in this manual. The index shows what page(s) the part is used on.

Part Number	Page	Part Number	Page	Part Number	Page	Part Number	Page
* .....	13, 15, 17, 19, 21, 23, 25, 27, 29, 31, 33, 41, 43, 45	370-076H .....	21	801-027C .....	11	810-883C .....	33
0.132.5002.00 .....	15	370-077A .....	23	802-005C .....	11	811-062C .....	43
0.267.1500.00 .....	15	370-078H .....	17	802-014C .....	9, 21, 25	811-081C .....	21
0.267.2000.00 .....	15	370-081H .....	9	802-015C .....	11, 37	811-170C .....	23, 25
0.267.4221.00 .....	15	370-082H .....	9	802-017C .....	35	811-388C .....	21
0.267.5000.00 .....	15	370-099A .....	27	802-022C .....	9	811-778C .....	21
0.267.7100.00 .....	15	370-100H .....	27	802-023C .....	19	816-504C .....	9
123.260.424.11 .....	13	370-103K .....	35	802-051C .....	11	817-358C .....	11
123.360.468.11 .....	13	370-104H .....	35	802-068C .....	9	817-872C .....	9
130556 .....	33	370-105A .....	35	802-078C .....	19, 25	817-976C .....	9
141.026.544.1 .....	13	370-106A .....	39	802-079C .....	7, 17, 21, 23, 27	818-130C .....	49
142.261.2797621 .....	13	370-111A .....	47	802-091C .....	7	818-132C .....	49
142.266.2757621 .....	13	370-113H .....	37	802-128C .....	17, 19, 41	818-190C .....	49
143.260.006.1 .....	13	370-114H .....	37	802-149C .....	19, 25	818-205C .....	49
151.016.028.1 .....	13	370-115A .....	37	802-153C .....	11	818-349C .....	49
151.016.029.1 .....	13	370-118A .....	31	802-155C .....	39	818-402C .....	49
152.170.2630710 .....	13	370-123H .....	17	802-159C .....	11	818-522C .....	49
153.160.174 .....	13	370-143D .....	9	802-162C .....	11	818-634C .....	49
165.000.525 .....	13	370-147D .....	11	802-224C .....	9	818-798C .....	49
165.000.583 .....	13	370-150H .....	23	802-258C .....	11	818-858C .....	49
165.000.628 .....	13	370-151H .....	23	802-459C .....	11	818-892C .....	49
180.014.240 .....	13	370-154D .....	11	802-603C .....	47	818-907C .....	49
180.016.130 .....	13	370-168D .....	9	802-939C .....	23, 25	822-166C .....	15
180.016.237 .....	13	370-183D .....	21	802-952C .....	25	822-167C .....	15
180.016.238 .....	13	370-208D .....	27	803-008C .....	11	822-191C .....	15
180.016.316 .....	13	370-210D .....	35	803-013C .....	9	822-218C .....	11
180.016.636 .....	13	370-212D .....	39	803-014C .....	9, 33	822-243C .....	7
186561 .....	33	370-215D .....	47	803-019C .....	17, 19	822-250C .....	11
190.000.016 .....	13	370-243D .....	41, 45	803-021C .....	11	822-253C .....	9
190.000.018 .....	13	370-251D .....	9	803-027C .....	9	823-377C .....	29, 31
190.000.021 .....	13	370-294H .....	25	803-169C .....	7, 41	823-378C .....	41
190.000.098 .....	13	370-341A .....	25	803-181C .....	9	823-379C .....	17, 19
190.000.099 .....	13	370-342H .....	19	803-209C .....	7, 11, 17, 19, 21, 23, 25, 27, 35, 37, 39, 47	823-386C .....	31
213-005 .....	29	370-343H .....	19	803-255C .....	9, 11, 19, 25	826-240C .....	11
219-007 .....	29	370-344A .....	19	804-006C .....	25	826-503C .....	15
219-009 .....	29	370-379K .....	19	804-007C .....	9	826-654C .....	11, 15
235005 .....	33	370-414H .....	19	804-009C .....	11	826-688C .....	11, 13
250-007 .....	29	370-415K .....	19	804-010C .....	11	827-001C .....	35
250-023 .....	29	370-445A .....	47	804-012C .....	19	827-002C .....	35
255-092 .....	29	370-533D .....	25	804-013C .....	9, 21	827-115C .....	19
255-093 .....	29	370-534D .....	19	804-013C .....	9, 21	833-543C .....	17, 19
255-098 .....	29	370-612D .....	25	804-015C .....	11	833-557C .....	41
255-102 .....	29	370-613D .....	25	804-016C .....	7	838-517C .....	49
255-103 .....	29	370-614D .....	25	804-016C .....	7	838-963C .....	49
255-104 .....	29	370-616D .....	19	804-017C .....	11	838-966C .....	49
255-186 .....	29	370-618D .....	19	804-021C .....	11	841-531C .....	21
258851 .....	33	370-644D .....	11	804-022C .....	11	841-532C .....	21
259-001 .....	29	370-683D .....	11	804-023C .....	9	841-533C .....	43
259-004 .....	29	370-687D .....	25	804-029C .....	35	841-534C .....	43
259-005 .....	29	370-727D .....	19	804-039C .....	17, 21, 23, 27	841-594C .....	23
301-293H .....	35	370-745D .....	47	804-161C .....	11	841-773C .....	25
304-345 .....	29	437208 .....	33	804-239C .....	9	848-591C .....	49
322-009D .....	9	491604 .....	33	805-004C .....	43	848-592C .....	49
370-023A .....	43	492214 .....	33	805-032C .....	41, 45	848-747C .....	49
370-024A .....	21	492669 .....	33	805-065C .....	27, 35	848-840C .....	49
370-028A .....	17	494382 .....	33	805-088C .....	43	858-148C .....	49
370-029A .....	41	8.1.1.00209 .....	15	805-103C .....	9	A.259.500 .....	15
370-030A .....	45	8.5.1.00005 .....	15	805-136C .....	17, 19	A110.500 .....	15
370-038H .....	7	8.5.1.00029 .....	15	805-180C .....	17, 21, 23, 27	A244.501 .....	15
370-040H .....	11	8.5.2.00030 .....	15	805-363C .....	9	dwg13565 .....	33
370-049H .....	9	8.6.0.01684 .....	15	805-407C .....	9	dwg33065 .....	27
370-049H82 .....	9	8.6.6.00201 .....	15	808-400C .....	11	dwg33066 .....	21
370-055D .....	45	8.7.1.00152 .....	15	808-423C .....	7	dwg33067 .....	17
370-062H .....	11	8.7.1.00748 .....	15	809-302C .....	11	dwg33068 .....	45
370-064H .....	11	800-001C .....	7	810-058C .....	21	dwg33069 .....	43
370-068D .....	27	800-080C .....	11	810-125C .....	33, 43	dwg33070 .....	41
370-069H .....	41	800-303C .....	29	810-267C .....	21	dwg33071 .....	39
		800-402C .....	11	810-364C .....	21	dwg33072 .....	37
		801-019C .....	21, 23	810-751C .....	23, 25	dwg33073 .....	35
				810-808C .....	23	dwg33074 .....	47



## Part Number Index (continued)

---

<u>Part Number</u>	<u>Page</u>
dwg33090 .....	31
dwg33091 .....	29
dwg33101 .....	11
dwg33102 .....	7
dwg33103 .....	9
dwg33104 .....	49
dwg33118 .....	13
dwg33119 .....	15
dwg33406 .....	23
dwg35443 .....	25
dwg35444 .....	19
N/A .....	13, 15, 33
SK-SCR0622000A .....	23, 25
ZHSK-EBMM .....	23, 25



Great Plains Manufacturing, Inc.

Corporate Office: P.O. Box 5060  
Salina, Kansas 67402-5060 USA

[www.landpride.com](http://www.landpride.com)

---