

# Safety Light & Sign Kit Assembly Instructions



For ZT360 & ZT372 Zero Turn Mowers

Manual No. 357-640M

## Before You Start

**IMPORTANT:** Before you begin, read these instructions and check to be sure all parts and tools are accounted for. Please retain these installation instructions for future reference and parts ordering information.

A separate Parts Manual for your Zero Turn Mower is available free of charge at [www.landpride.com](http://www.landpride.com) or can be purchased from your nearest Land Pride dealer. Have the model and serial number of your Zero Turn Mower handy when placing an order.

### Manual Part Numbers:

#### ZT360 & ZT372

- Operator's Manual ..... 357-610M
- Parts Manual ..... 357-610P

## General Information

Your Light Kit is exclusively designed for your Land Pride model ZT360 or ZT372 Zero Turn Mower. Please read these installation instructions and your mower's Operator's Manual thoroughly before beginning. Especially read information relating to safety concerns.

## Tools required:

- Safety Glasses & Work Gloves
- 9/32" & 3/8" box end or open end wrenches
- Phillips screwdriver
- Standard blade screwdriver
- T25 Torx Screwdriver

## Assembly Instructions

These assembly instructions apply to the following Light Kit Accessory listed below:

### 357-639A ZT3 SAFETY LIGHT AND SIGN KIT

A detailed listing of parts for this accessory kit is provided on page 5. Use this list as a checklist to inventory parts received. Please contact your local Land Pride dealer for any missing hardware.

## Further Assistance

Your dealer wants you to be satisfied with your new Light Kit. If for any reason you do not understand any part of this manual or are not satisfied with the service received, the following actions are suggested:

1. Discuss the matter with your dealership service manager making sure that person is aware of any problems you may have and has had the opportunity to assist you.
2. If you are still not satisfied, seek out the owner or general manager of the dealership, explain the problem, and request assistance.
3. For further assistance write to:

**Land Pride Service Department**  
1525 East North Street  
P.O. Box 5060  
Salina, Ks. 67402-5060

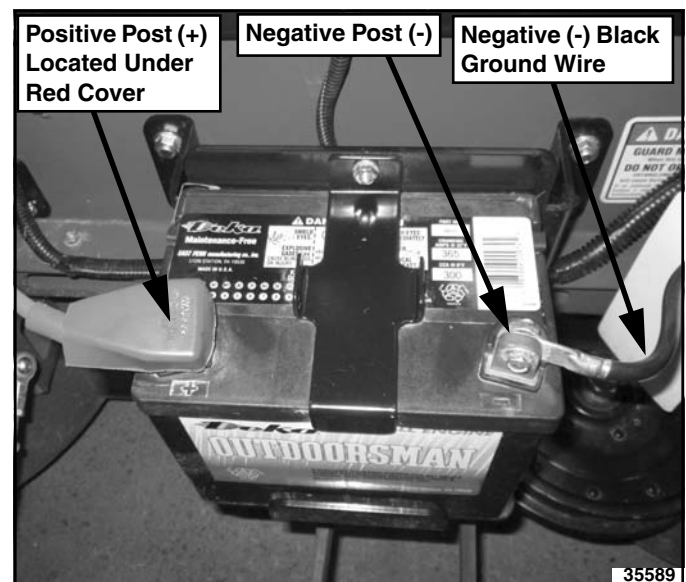
E-mail address  
[lp servicedept@landpride.com](mailto:lp servicedept@landpride.com)

## Initial Preparations

1. Disengage blades, park mower on a flat surface, move control levers fully out, and set park brake.
2. Turn off engine and remove ignition key.
3. Rotate seat platform fully up.

### Refer to Figure 1:

4. Disconnect negative ground wire (black wire) from the battery's negative post (-). Place ground wire in a location where it cannot touch the battery posts.



Remove Ground Wire From Battery  
Figure 1

## Further Assistance

### Bumper Requirements

ZT3 Series mowers with serial number \_\_\_\_\_+ are shipped from the factory with mounting holes for this kit and do not require any modifications.

The bumper and Land Pride decal on ZT3 Series mowers with serial number \_\_\_\_\_- will need to be replaced or new holes will need to be drilled in the existing bumper.

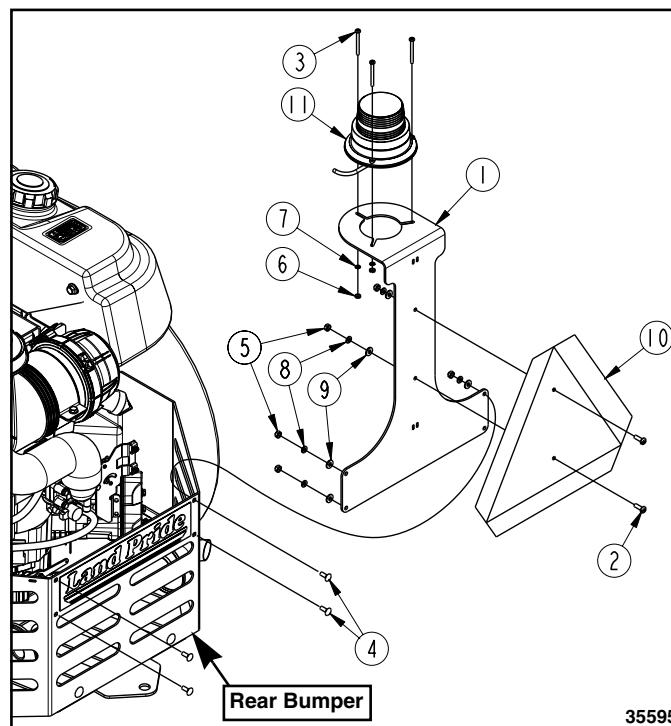
When replacing bumper, order bumper part number 358-366D and Land Pride decal part number 848-161C from your nearest Land Pride dealer.

#### Refer to Figure 2:

If mounting bracket holes are to be drilled in rear bumper, then use mounting bracket (#1) as a template to locate and drill four 9/32" holes. Replace carriage bolts (#4) with four new 1/4"-20 x 3/4" GR5 hex head bolts (hex head bolts to be supplied by customer).

#### Refer to Figure 4 on page 3:

If cable tie holes are to be drilled in rear bumper to attach beacon harness (#13) with cable ties (#12), then locate and drill four 9/32" holes along the left top edge of rear bumper in the locations shown.



Attach Safety Beacon Light & SMV Sign  
Figure 2

### Safety Beacon Light & SMV Sign

#### Refer to Figure 2:

**NOTE:** See "Bumper Requirements" above before attaching mounting bracket (#1) to rear bumper.

**NOTE:** For good appearance, install mounting bracket (#1) on the inside of the rear bumper.

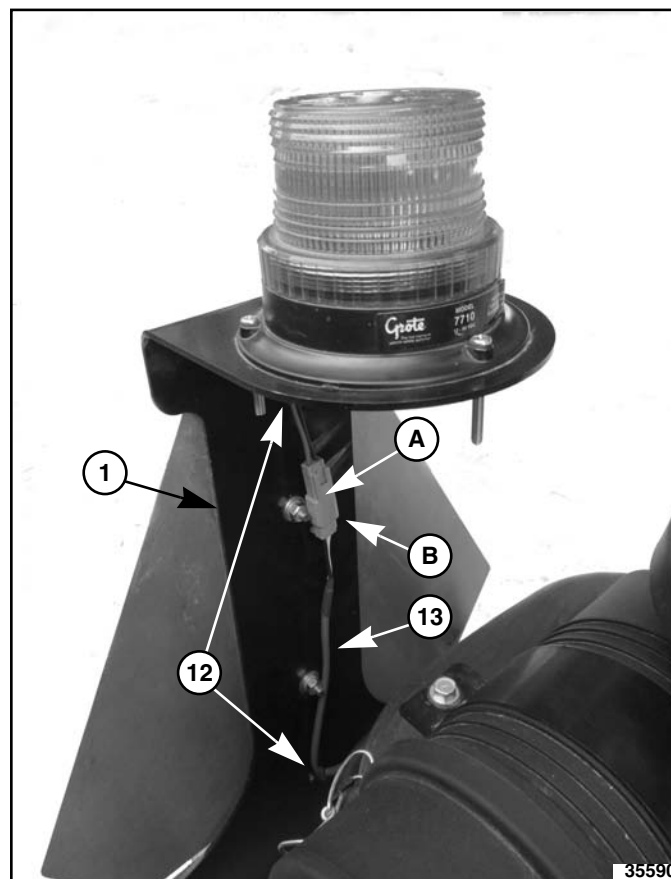
1. Attach mounting bracket (#1) on the inside of rear bumper with 1/4"-20 x 3/4" GR5 carriage bolts (#4), flat washers (#9), spring lock washers (#8), and hex nuts (#5). Tighten hex nuts to the 8 ft-lbs.
2. Attach SMV sign (#10) to mounting bracket (#1) with 1/4"-20 x 3/4" pan head screws (#2), flat washers (#9), spring lock washers (#8), and hex nuts (#5). Tighten hex nuts to the 5.6 ft-lbs.
3. Attach amber beacon light (#11) to mounting bracket (#1) with #10-24 x 2" pan head machine screws (#3), internal star washers (#7), and hex nuts (#6). Tighten hex nuts.

### Beacon Wire Harness

#### Refer to Figure 3:

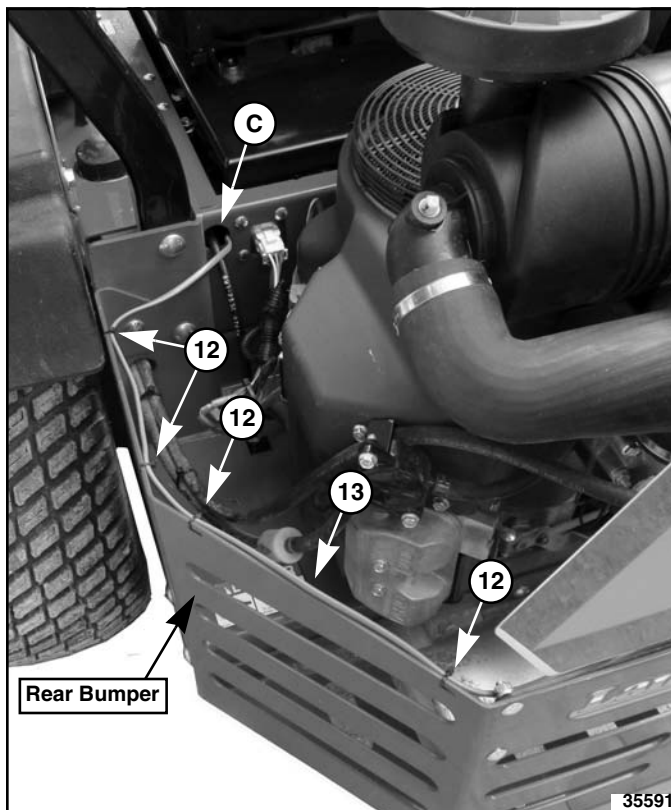
**NOTE:** Do not draw cable ties up tight until after wire harness (#13) is fully assembled.

1. Attach connector "B" on end of beacon wire harness (#13) to beacon light connector "A".
2. Secure beacon wire connector "A" and beacon wire harness (#13) to upper and lower slits in mounting bracket (#1) with cable ties (#12).



Attach Wire Harness to Mounting Bracket  
Figure 3

## Further Assistance



Attach Wire Harness to Rear Bumper  
Figure 4

### Refer to Figure 4:

**NOTE:** See “Bumper Requirements” on page 2 before mounting wire harness (#13) to rear bumper.

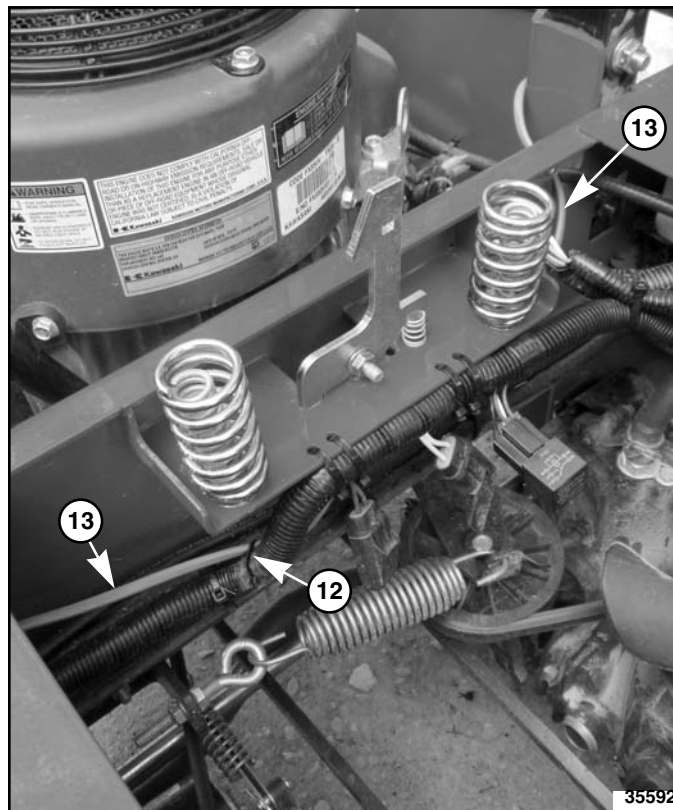
3. Attach beacon wire harness (#13) on the inside of the rear bumper with cable ties (#12) in the four locations shown.
4. Insert beacon wire harness (#13) through hole “C” in engine fire wall.

### Refer to Figure 5:

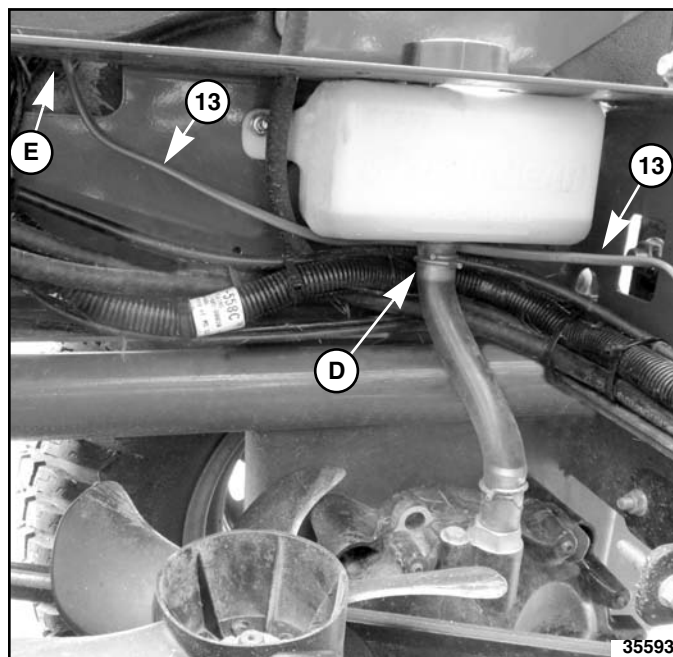
5. Thread beacon wire harness (#13) beneath seat spring latch assembly and behind existing looms.
6. Attach beacon wire harness (#13) to existing loom with cable tie (#12) as shown.

### Refer to Figure 6:

7. Route beacon wire harness (#13) behind hydraulic expansion tank hose “D” located on the right-hand side.
8. Continue to route beacon wire harness (#13) through opening “E” on right-hand side of mower frame and up through opening in console well.



Attach Wire Harness Beneath Spring Latch Assembly  
Figure 5



Route Wire Harness Behind Right-hand Expansion Tank  
Figure 6

## Further Assistance

### Attach Beacon Wire Harness To Hour Meter

**Refer to Figure 7:**

1. Remove two Torx screws "F" securing console panel.
2. Lift console panel up and locate hole in bottom of console well.
3. Pull wire harness (#13) up through hole in bottom of console well.

**IMPORTANT:** Do not tie beacon harness (#13) to throttle cable or choke cable. Tying harness to either cable will limit the cable's operation.

4. Plastic tie beacon harness to main loom inside of cavity.

### Hour Meter Connection

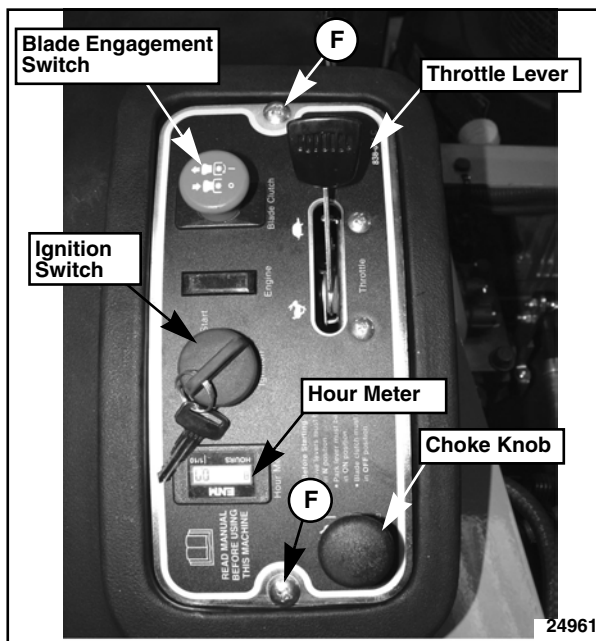
**Refer to Figure 8:**

1. Disconnect gray wire female terminal "A" from hour meter positive (+) spade and then reconnect terminal "A" to white wire male terminal "B" on end of beacon harness (#13) as shown.
2. Connect white female terminal "C" on end of beacon harness (#13) to the hour meter's positive (+) spade.
3. Disconnect black wire female terminal "D" from hour meter negative (-) spade and then reconnect terminal "D" to black male terminal "E" on end of beacon harness (#13) as shown.
4. Connect black female terminal "F" on end of beacon harness (#13) to negative (-) spade on hour meter.

### Final Assembly

**Refer to Figure 1 on page 2:**

1. Add additional cable ties (#12) throughout the length of the beacon wire harness (#13) as needed.



**Console Panel  
Figure 7**

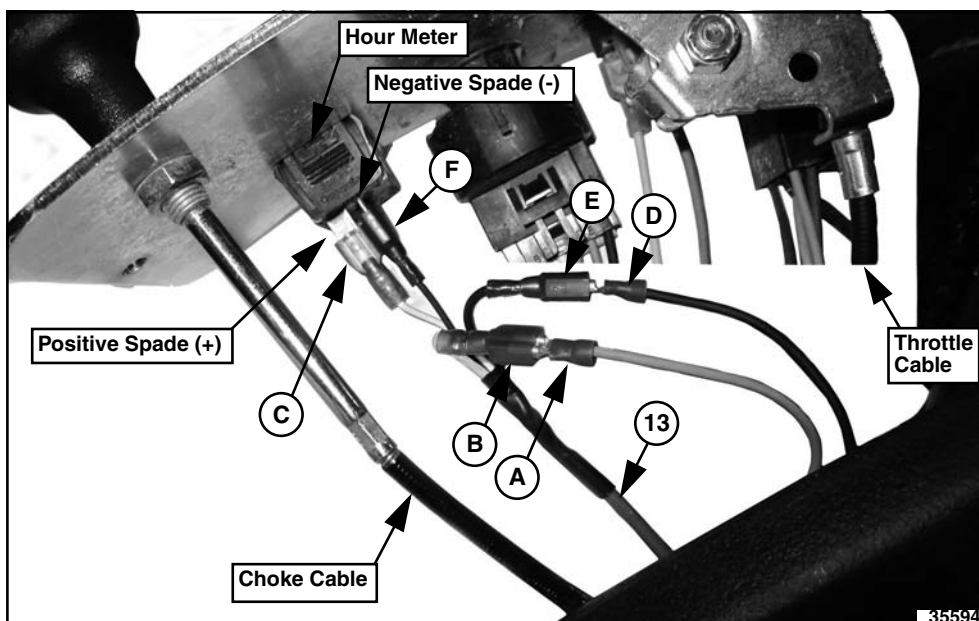
2. Make final adjustments to beacon harness (#13) and then draw all cable ties (#12) up tight.
3. Reconnect ground cable to negative battery post.

**Refer to Figure 8:**

4. Check hook-up of beacon harness (#13) by turning ignition switch on without starting engine. Beacon light should be blinking. If light does not blink, reverse hour meter connections "C" & "F" and retest beacon light.

**Refer to Figure 7:**

5. Replace console panel and tighten screws.



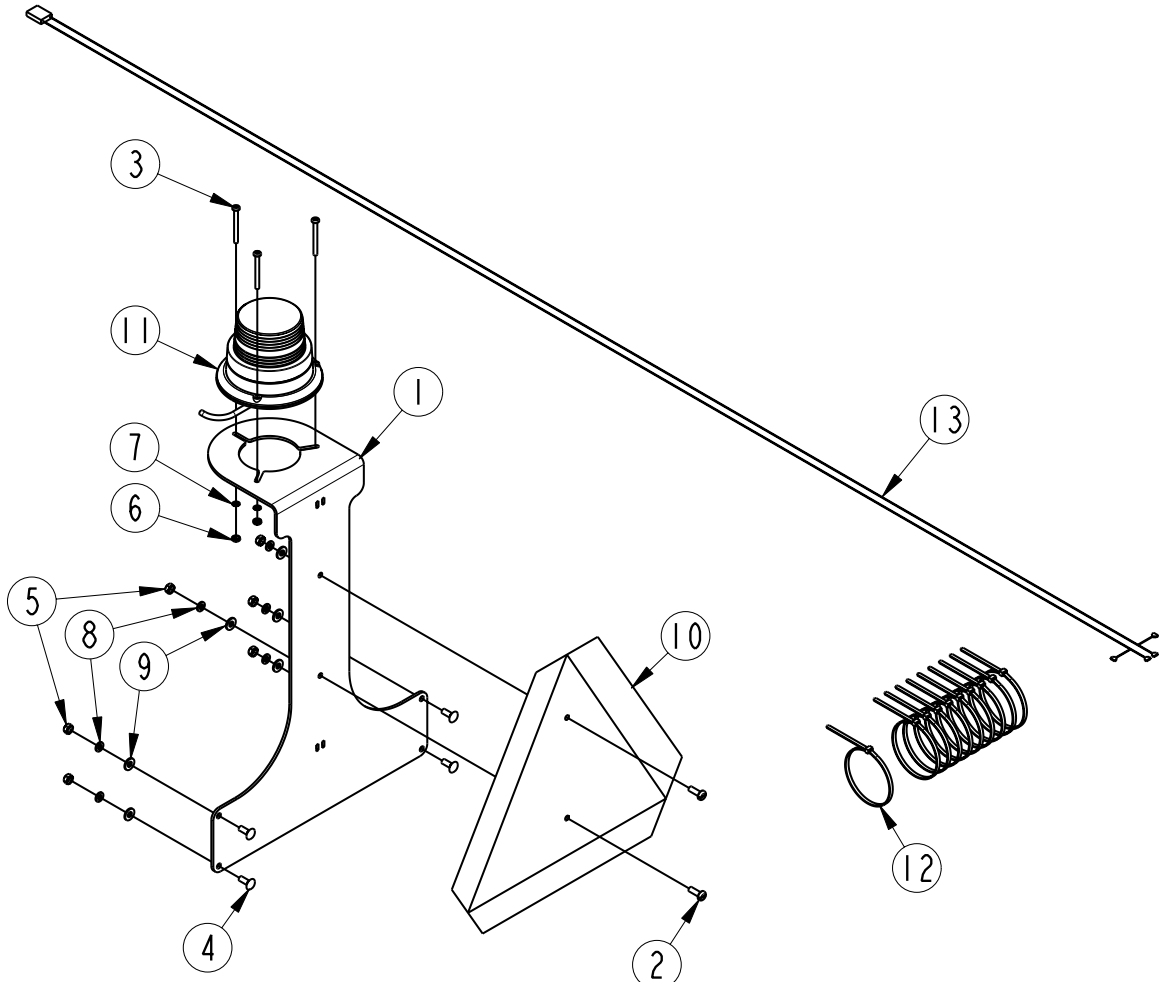
**Beacon Harness Connected to Hour Meter Spades  
Figure 8**

**Listing of Parts**

**Kit No. 357-639A**

**ZT3 SAFETY LIGHT AND SIGN KIT**

Item	Part No.	Part Description	Qty
1.	358-398D	ZT BEACON AND SMV MNT . . . . .	1
2.	801-005C	SCREW PAN HD 1/4-20 X 3/4 . . . . .	2
3.	801-196C	PHMS #10-24X2 SS . . . . .	3
4.	802-002C	RHSNB 1/4-20X3/4 GR5 . . . . .	4
5.	803-006C	NUT HEX 1/4-20 PLT. . . . .	6
6.	803-269C	NUT HEX 10-32 PLT . . . . .	3
7.	804-004C	WASHER INTERNAL STAR #10 PLT. . . . .	3
8.	804-006C	WASHER LOCK SPRING 1/4 PLT. . . . .	6
9.	804-007C	WASHER FLAT 1/4 SAE PLT. . . . .	6
10.	818-055C	DECAL SLOW MOVING-GALV. BACKED . . . . .	1
11.	833-563C	BEACON LIGHT AMBER. . . . .	1
12.	800-060C	CABLE TIE .19X14.25 3DIA 50LB. . . . .	10
13.	833-651C	ZT BEACON WIRE HARNESS . . . . .	1



35597



Corporate Office: P.O. Box 5060  
Salina, Kansas 67402-5060 USA  
[www.landpride.com](http://www.landpride.com)

---