

ZXT Striping Kit Assembly Instructions



For ZXT54 & ZXT60 Zero Turn Mowers

Manual No. 357-284M

Before You Start



When you see this symbol, the subsequent instructions and warnings are serious - follow without exception. Your life and the lives of others depend on it!

IMPORTANT: Before you begin, read these instructions and check to be sure all parts and tools are accounted for. Please retain these installation instructions for future reference and parts ordering information.

Your Striping Kit is exclusively designed for your Land Pride (ZXT60 & ZXT72). Please read these installation instructions and the Operator's Manual for your Zero Turn Mower thoroughly before beginning. Especially read information relating to safety concerns.

A separate Parts Manual for your mower is available free of charge at www.landpride.com or can be purchased from your nearest Land Pride dealer. Have model and serial number of your mower when placing an order.

ZXT54 & ZXT60

- Operator's Manual 357-271M
- Parts Manual 357-271P

General Information

These assembly instructions apply to the following ZXT Striping Kit Accessories listed below:

357-279A ZXT Striping Kit

Tools required:

Safety glasses, Work gloves, Two 9/16" wrenches & Two 3/4" wrenches.

Further Assistance

Your dealer wants you to be satisfied with your new Striping Kit. If for any reason you do not understand any part of this manual or are not satisfied with the service received, the following actions are suggested:

1. Discuss the matter with your dealership service manager. Make sure he has had time to assist you.
2. If you are still not satisfied, seek out the owner or general manager and explain the problem.
3. For further assistance write to:

Land Pride Service Department
1525 East North Street
P.O. Box 5060
Salina, Ks. 67402-5060

E-mail address
lp servicedept@landpride.com

Assembly Instructions

A detailed listing of parts for the kit is provided in the optional section of the parts manual. Please contact your local Land Pride dealer for any missing hardware.

Initial Preparations

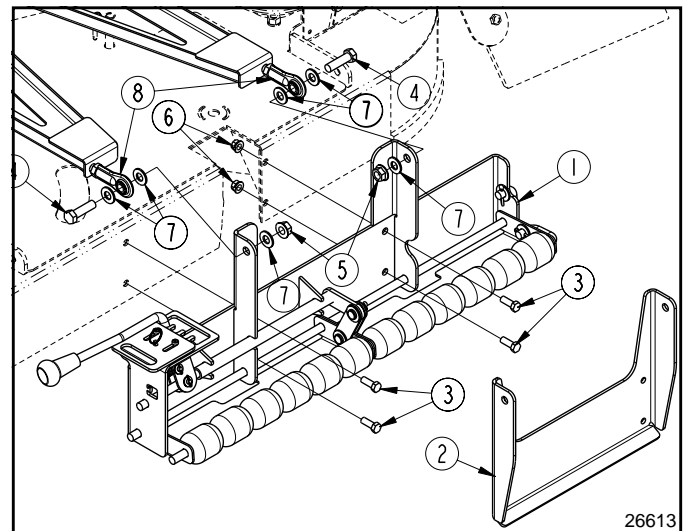
1. Park mower on a flat surface, move control levers fully out, set park brake lever to on, shut engine off, remove switch key and lift deck to transport position.
2. Chock front and back of rear wheels.
3. Raise front end of mower up only enough to access nuts (#6) securing strut attachment bracket (#2). Block mower in the raised position.

IMPORTANT: Be sure to properly block mower in the raised position so it can not move or fall from its elevated position.

Striping Kit Installation

Refer to Figure 1:

1. Remove existing strut attachment bracket (#2) by removing 3/8" hex bolts (#3) and 1/2" hex bolts (#4). Keep fastener hardware for reuse.
2. Attach Striping Kit (#1) to the back side of the deck with existing 3/8"-16 x 1" GR5 hex cap screws (#3) and flange lock nuts (#6). Tighten nuts to 31 ft-lbs.
3. Attach vertical angles of Striping Kit to rod ends (#8) with 1/2"-13 x 1 3/4" GR5 hex head cap screws (#4), flat washers (#7) and hex flange lock nuts (#5). Be sure to position a flat washer on both sides of the rod ends (#8) as shown. Tighten nuts to 76 ft-lbs.



Installation of Striping Kit
Figure 1

4. Lower front end of mower and remove wheel chocks.

Assembly Instructions

Striping Kit Operation

Refer to Figure 2:

The striping rollers (#4) and rear mower tires press the grass blades down in the direction of travel. Traveling back and forth while cutting the grass alternates the direction the grass is pressed down giving your lawn that striping appearance. It is important to always press the grass down in the same direction from one cutting to the next. This repeated laying down of the grass in the same direction will train the grass to lay in that direction.

NOTE: Don't expect your grass to make a noticeable change after the first cutting. It will take several cuttings before the lawn starts to take on a pronounced striping effect.

Height Adjustment

Refer to Figure 2:

1. Pull up on lever (#1) and move it forward to the front notch to raise the striping rollers (#4) up above the cut grass. In this position, the rollers will not produce a striping effect.
2. Set deck height to the preferred cutting height.
3. Adjust striping rollers (#4) down to press on the grass by lifting up on lever (#1) and pulling back until rollers are at a preferred height off the ground. Reset the lever in the notch for this height.

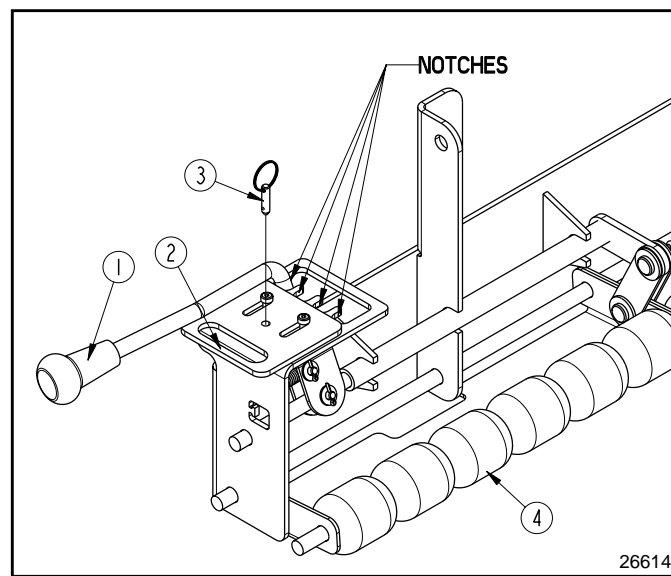
IMPORTANT: The closer the rollers are set to the ground, the more pronounced the striping effect will be. **Do not** set the rollers so close to the ground that the deck rear is carried by the rollers. Make sure the deck support chains carry the deck.

Float Position

Refer to Figure 2:

The striping rollers (#4) can be set to float on the ground surface by sliding plate (#2) over the notches to prevent handle (#1) from locking into any position.

1. Remove pin (#3) and slide plate (#2) over the notches until they are covered by the plate.
2. Replace pin (#3).



Installation of Striping Kit
Figure 2



Corporate Office: P.O. Box 5060
Salina, Kansas 67402-5060 USA
www.landpride.com