

# ZXT Roll Over Protective Structure Assembly Instructions



ZXT54 Pro & ZXT60 Pro Zero Turn Mowers

Manual No. 357-274M

## Before You Start



When you see this symbol, the subsequent instructions and warnings are serious - follow without exception. Your life and the lives of others depend on it!

**IMPORTANT:** Before you begin, read these instructions and check to be sure all parts and tools are accounted for. Please retain these installation instructions for future reference and parts ordering information.

Your Roll Over Protective Structure is exclusively designed for your Land Pride ZXT mower. Please read these installation instructions and your ZXT mower Operator's Manual thoroughly before beginning. Especially read information relating to safety concerns. Also included in the Operator's Manual is important information on operation, adjustment, troubleshooting, and maintenance for this attachment (some manual sections do not apply to all accessories).

A separate Parts Manual for the Zero Turn Mower is available free of charge at [www.landpride.com](http://www.landpride.com) or can be purchased from your nearest Land Pride dealer. Have the model and serial number of your Zero Turn Mower handy when placing an order.

### Manual Part Numbers:

- Operator's Manual . . . . . 357-271M
- Parts Manual . . . . . 357-271P

## General Information

These assembly instructions apply to the following Accessory kits listed below:

**357-273A Folding ROPS W/Seat Belt, ZXT Series**

### Tools required:

- Safety Glasses
- Work Gloves
- 11/16" box end or open end wrench
- 3/4" box end or open end wrench
- Torque wrench with 11/16" & 3/4" sockets

## Assembly Instructions



### WARNING

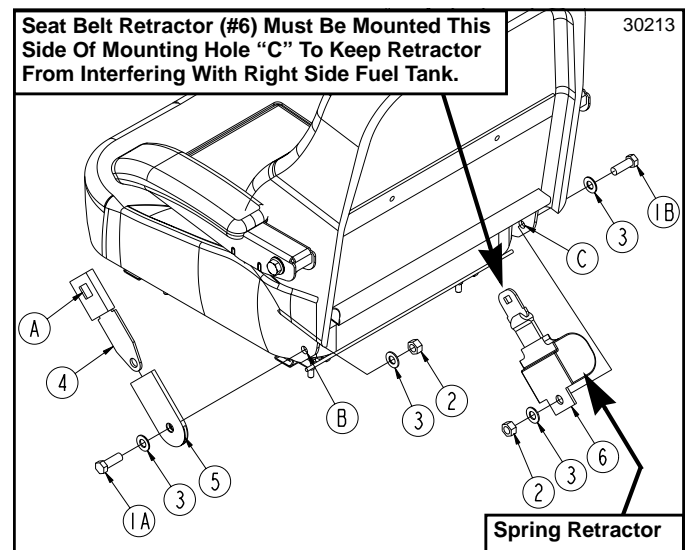
Do not modify the Roll Over Protective Structure in any way. This Roll Over Protective Structure has been designed specifically for this machine and any modifications can affect its performance in the event of a roll over.

**IMPORTANT:** Your ZXT mower seat must have seat belt mounting holes in the back rest side plates. See Figure 1, balloon (B). If it does not, you will need to replace your seat with one that does.

A detailed listing of parts for this accessory kit is provided on page 2. Use the list as a checklist to inventory parts received. Please contact your local Land Pride dealer for any missing hardware.

### Initial Preparations

1. Park unit on a flat level surface. Make sure blade engagement switch is **(OFF)**, both control levers are fully **(OUT)**, park brake is **(ON)** and switch key is turned **(OFF)** and removed.



**Seat Belt Assembly (Deluxe Seat Shown)**  
Suspension Seat Also Includes Seat Belt Mounts (B & C)  
Figure 1

### Seat Belt Assembly

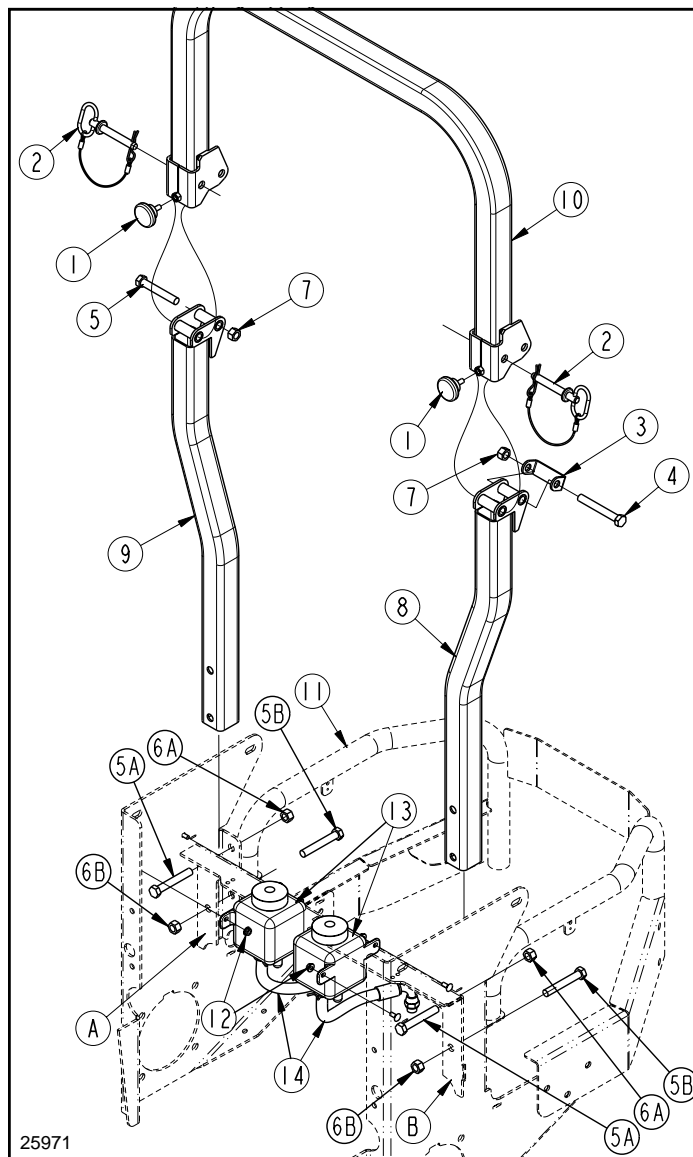
Refer to Figure 1

1. Insert seat belt clip (#4) with push button "A" into clip sleeve (#5).
2. Make sure push button "A" is facing out as shown. Insert 7/16" bolt (#1A) through flat washer (#3), seat belt clip & sleeve (#4 & #5), mounting hole "B" and flat washer (#3). Secure bolt with nylock nut (#2). Rotate seat belt up to the approximate angle shown and tighten nylock nut to 36 ft-lbs. of torque.
3. Orient seat belt retractor (#6) with spring retractor facing out as shown. Insert 7/16" bolt (#1B) through flat washer (#3), mounting hole "C", seat belt retractor (#6) and flat washer (#3). Secure bolt with nylock nut (#2). Rotate seat belt retractor to the approximate angle shown and tighten nylock nut to 36 ft-lbs. of torque.

## Folding ROPS Bar Assembly

Refer to Figure 2:

1. Do not remove 1/2" hydraulic hoses (#14) from expansion tanks (#13). Unscrew hex nuts (#12) and move expansion tanks (#13) to the side.
2. Do not remove rear bumper (#11) from mower frame. Remove existing bumper bolts (#5B).
3. Insert lower right hand ROPS tube (#9) in mounting bracket "A". Make sure hinge at the top faces back.
4. From the rear, insert 1/2" x 3 1/4" GR5 hex head cap screw (#5B) through mounting bracket "A" and ROPS tube (#9) as shown. Secure with 1/2" lock nut (#6B). Draw lock nut up snug, do not tighten.
5. From the front, insert 1/2" x 3 1/4" GR5 hex head cap screw (#5A) through mounting bracket "A" and ROPS tube (#9) as shown. Secure with 1/2" lock nut (#6A). Draw lock nut up snug, do not tighten.
6. Repeat steps 3, 4 & 5 above to install lower left hand ROPS tube (#8) in mounting bracket "B".
7. Attach upper ROPS tube (#10) to lower right ROPS tube (#9) with 1/2" x 3 1/4" GR5 cap screw (#5) and hex lock nut (#7). Draw hex lock nut (#7) up snug, do not tighten.
8. Attach upper ROPS tube (#10) and ROPS stop (#3) to the lower left ROPS tube (#8) with 1/2" x 3 3/4" GR5 cap screw (#4) and hex lock nut (#7). Draw hex lock nut (#8) up snug, do not tighten.
9. Tighten hex lock nuts (#6A & #6B) to 76 ft-lbs.
10. Rotate ROPS loop end (#10) up and insert locking pins (#2). Secure locking pins with hair pin clips attached to locking pins.
11. Install locking knobs (#1) and hand tighten.
12. Reattach expansion tanks (#13) to side plates with existing hex flange top lock nuts (#12). Tighten hex flange top lock nuts (#12) to 8 ft-lbs.



Folding ROPS Bar Assembly  
Figure 2

### Kit No. 357-273A

### Folding ROPS W/Seat Belt, ZXT Pro Series

Items	Figure No.	Part No.	Part Description	Qty
1 to 6	Figure 1	357-420A	RETRACTABLE SEAT BELT KIT, Z-MOWERS	1
1	Figure 2	230024700	LOCKING KNOB	2
2	Figure 2	230311900	PIN, ROPS HINGE	2
3	Figure 2	711834101	ROPS STOP	1
4	Figure 2	802-042C	HHCS 1/2-13 X 3 3/4 GR5	1
5	Figure 2	802-099C	HHCS 1/2-13 X 3 1/4 GR5	5
6	Figure 2	803-019C	NUT LOCK 1/2-13 PLT	4
7	Figure 2	803-019C	NUT LOCK 1/2-13 PLT	2
8, 9, & 10	Figure 2	823-287C	ZXT FOLDING ROPS	1
		357-274M	INSTRUCTION, ZXT ROPS INSTALLATION	1

Corporate Office: P.O. Box 5060  
Salina, Kansas 67402-5060 USA  
www.landpride.com