

Folding Soft Top Canopy Assembly Instructions



ZXT54, ZXT60, ZT60, ZT72, ZT60i & ZT72i (Zero Turn W/ ROPS) Manual No. 357-235M



Folding Soft Top Canopy (ZT Mower Shown)
Figure 1

Before You Start



When you see this symbol, the subsequent instructions and warnings are serious - follow without exception. Your life and the lives of others depend on it!

IMPORTANT: Before you begin, read these instructions and check to be sure all parts and tools are accounted for. Please retain these installation instructions for future reference and parts ordering.

Your Folding Soft Top Canopy is exclusively designed for Land Pride's ZXT54, ZXT60, ZT60, ZT72, ZT60i and ZT72i Zero Turn Mowers with ROPS installed. Please read these instructions and your Zero Turn Mower Operator's Manual thoroughly before beginning. Especially read information relating to safety concerns.

Operator's and Parts Manuals are available free of charge at www.landpride.com or can be ordered from your nearest Land Pride dealer. Have model and serial number of your mower handy when placing an order.

Manual Part Numbers:

ZXT54 & ZXT60 Zero Turn Mowers

- Operator's Manual 357-271M
- Parts Manual 357-271P

ZT60 & ZT72 Zero Turn Mowers

- Operator's Manual 357-044M
- Parts Manual 357-103P

ZT60 & ZT72 Zero Turn Mowers

- Operator's Manual 357-398M
- Parts Manual 357-398P

General Information

These assembly instructions apply to the accessory listed below:

357-194A ZXT, ZT & ZTi SOFT TOP CANOPY GREY

Tools required:

- Two 9/16" box end or open end wrenches
- Phillips screwdriver

Further Assistance

Your dealer wants you to be satisfied with your new Folding Soft Top Canopy. If for any reason you do not understand any part of this manual or are not satisfied with the service received, the following actions are suggested:

1. Discuss the matter with your dealership service manager making sure he is aware of any problems you may have and that he has had the opportunity to assist you.
2. If you are still not satisfied, seek out the owner or general manager of the dealership, explain the problem and request assistance.
3. For further assistance write to:

Land Pride Service Department
1525 East North Street

P.O. Box 5060
Salina, Ks. 67402-5060

E-mail address
lp servicedept@landpride.com

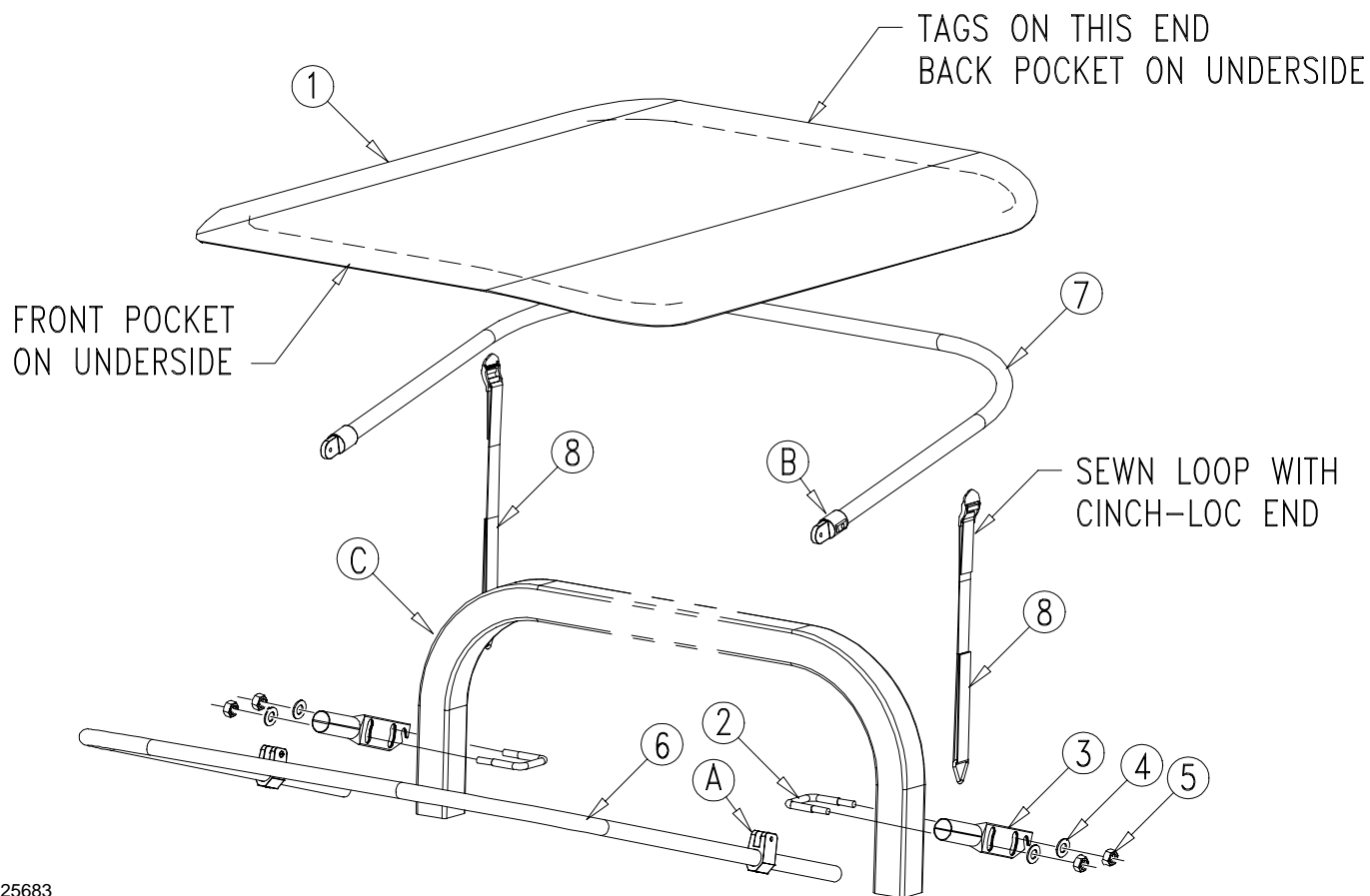
Assembly Instructions

A detailed listing of parts for this accessory kit is provided on page 3. Use the list as a checklist to inventory parts received. Please contact your local Land Pride dealer for any missing hardware.

Initial Preparations

1. Park mower on a flat level surface.
2. Disengage blade engagement switch.
3. Place both control levers in park position.
4. Throttle back to low idle for one minute to allow accumulated raw fuel to escape muffler during engine slow down.
5. Rotate ignition key counter-clockwise to **(OFF)** position.
6. Remove key from switch before leaving the seat.

Assembly Instructions



25683

Canopy Assembly to ROPS
Figure 2

Assembling The Canopy

Refer to Figure 2:

1. Empty contents from the shipping box and lay them out on a flat surface to make an inventory of all parts.
2. Unfold canopy top (#1) and lay it out on a flat surface with the sewn pockets facing up.
3. Locate front pocket (pocket without tags). Position front bow (#6) with its plastic fittings (A) pointing towards the canopy. Insert front bow into front pocket of canopy top.
4. Insert rear bow (#7) into rear pocket of canopy top.
5. Thread plastic ends (B) into sewn loops of tension straps (#8). Slide tension straps past the plastic ends approximately 4 to 5 inches.
6. Remove screws from fitting (A). Align fittings (A) into slots of fittings (B) and reinstall screws.

Attaching The Canopy to ROPS

Refer to Figure 2:

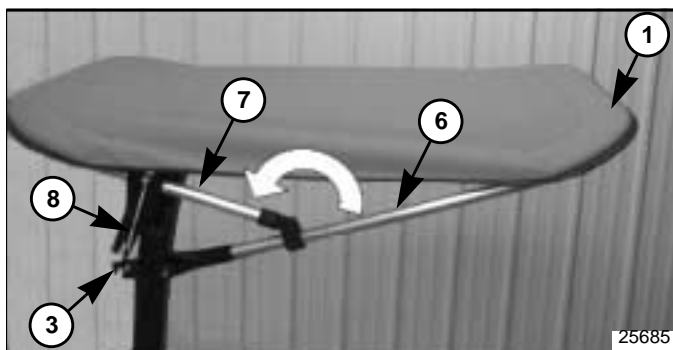
1. Orient mounting bracket (#3) so that it extends towards the front of the canopy and attach it to the ROPS (C) with U-bolt (#2), 3/8" flat washers (#4) and 3/8" nylock nuts (#5).
2. Position mounting bracket (#3) near the start of the tube radius and draw nuts up snug. Do not tighten at this time. Allow U-clamp to be loose enough to adjust brackets as needed later.
3. Repeat steps 1 & 2 for the other side.
4. Fold rear bow (#7) on top of front bow (#6).
5. Insert tubing ends of front bow (#6) into mounting brackets (#3). Lightly push tubing in to verify that it is seated completely in mounting brackets.

Assembly Instructions

Unfolding & Tensioning Canopy

Refer to Figure 3:

6. Unfold rear bow (#7) and hook rings on tension straps (#8) into mounting brackets (#3).
7. Adjust tension straps (#8) to tighten canopy covering.
8. Check canopy covering for levelness. Make leveling adjustments as needed.
9. Tighten all U-bolt hardware securing mounting brackets (#3) to the correct torque.



Unfolding & Tensioning Canopy
Figure 3

Canopy Removal & Storage

Refer to Figure 2:

IMPORTANT: The canopy is not designed for highway speeds. Remove Canopy Covering and aluminum tubes for highway transporting.

1. Press down at the back of rear bow (#7) to relieve tension on tension straps (#8).
2. Un-hook tension straps (#8).
3. Fold rear bow (#7) on top of front bow (#6).
4. Pull canopy assembly from mounting brackets (#3).
5. Make sure canopy top is dry and all loose straps are kept with canopy when storing. Store in a dry location where rodents cannot access.
6. Clean enclosure with a vinyl cleaner. **DO NOT** use petroleum distillates as they will damage the material.

Kit No. 357-194A

ZXT, ZT & ZTi SOFT TOP CANOPY GREY

Item	Part No.	Part Description	Qty
<i>Refer to Figure 2 on page 2:</i>			
1	3-18642	COVER, FABRIC, GRAY	1
2	3-18000	U-BOLT SQ 2 x 3 x 2	2
3	3-18713	TUBE, MOUNTING, 2" ROTATE	2
4	3-10086	.375 FLAT WASHER	4
5	3-10073	.375 NYLOCK NUT	4
6	3-18638	TUBE, FRONT, HINGE	1
7	3-18641	TUBE, REAR, HINGED	1
8	3-18644	STRAP ASSEMBLY	2
9	357-235M	MANUAL,CANOPY INSTALLATION	1



Corporate Office: P.O. Box 5060
Salina, Kansas 67402-5060 USA
www.landpride.com
