

ZT Roll Over Protective Structure Assembly Instructions



Accu-Z ZT60 & ZT72

Manual No. 357-147M

Before You Start



When you see this symbol, the subsequent instructions and warnings are serious - follow without exception. Your life and the lives of others depend on it!

IMPORTANT: Before you begin, read these instructions and check to be sure all parts and tools are accounted for. Please retain these installation instructions for future reference and parts ordering information.

Your Roll Over Protective Structure is exclusively designed for your Land Pride ZT mower. Please read these installation instructions and your ZT mower Operator's Manual thoroughly before beginning. Especially read information relating to safety concerns. Also included in the Operator's Manual is important information on operation, adjustment, troubleshooting, and maintenance for this attachment (some manual sections do not apply to all accessories).

A separate Parts Manual for replacement parts can be purchased from your dealer or available free of charge at www.landpride.com. Have model and serial numbers handy when placing an order.

Manual Part Numbers:

- Operator's Manual 357-103M
- Parts Manual 357-103P

General Information

These assembly instructions apply to the following
Accessory kits listed below:

- 357-145A Fixed ROPS W/Seat Belt, Accu-Z - ZT Series
- 357-146A Folding ROPS W/Seat Belt, Accu-Z - ZT Series

Tools required:

- Safety Glasses
- Work Gloves
- 11/16" box end or open end wrench
- 3/4" box end or open end wrench
- Torque wrench with 11/16" & 3/4" sockets

Assembly Instructions



WARNING!

Do not modify the Roll Over Protective Structure in any way. This Roll Over Protective Structure has been designed specifically for this machine and any modifications can affect its performance in the event of a roll over.

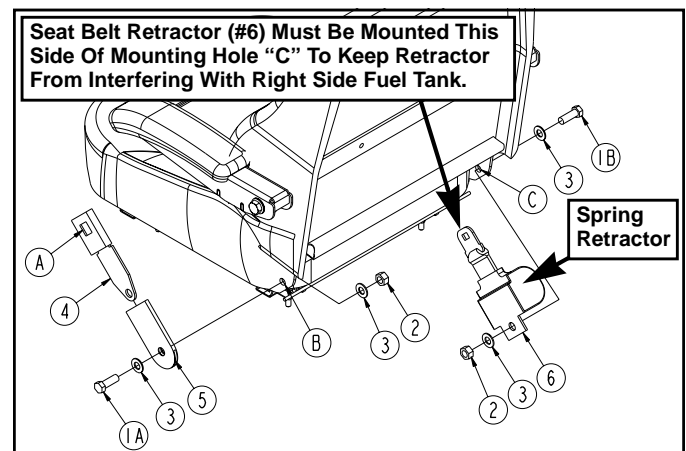
IMPORTANT: Your ZT mower seat must have seat belt mounting holes in the back rest side plates. See Figure 1, balloon (B). If it does not, you will need to replace your seat with one that does.

The hinged seat mounting plate must have a center rear latch. If your seat mounting plate has rear side pull pins, you must replace them with Land Pride's center latch, part no. 357-128L.

A detailed listing of parts for each accessory kit is provided on page 3. Use the list that is for your ROPS as a checklist to inventory parts received. Please contact your local Land Pride dealer for any missing hardware.

Initial Preparations

Park unit on a flat surface. Stop engine & remove switch key. Make sure blade engagement switch is **in the down (OFF) position**. Spread both control levers fully apart.



Seat Belt Assembly (Deluxe Seat Shown)
Suspension Seat Also Includes Seat Belt Mounts (B & C)
Figure 1

Seat Belt Assembly

Refer to Figure 1

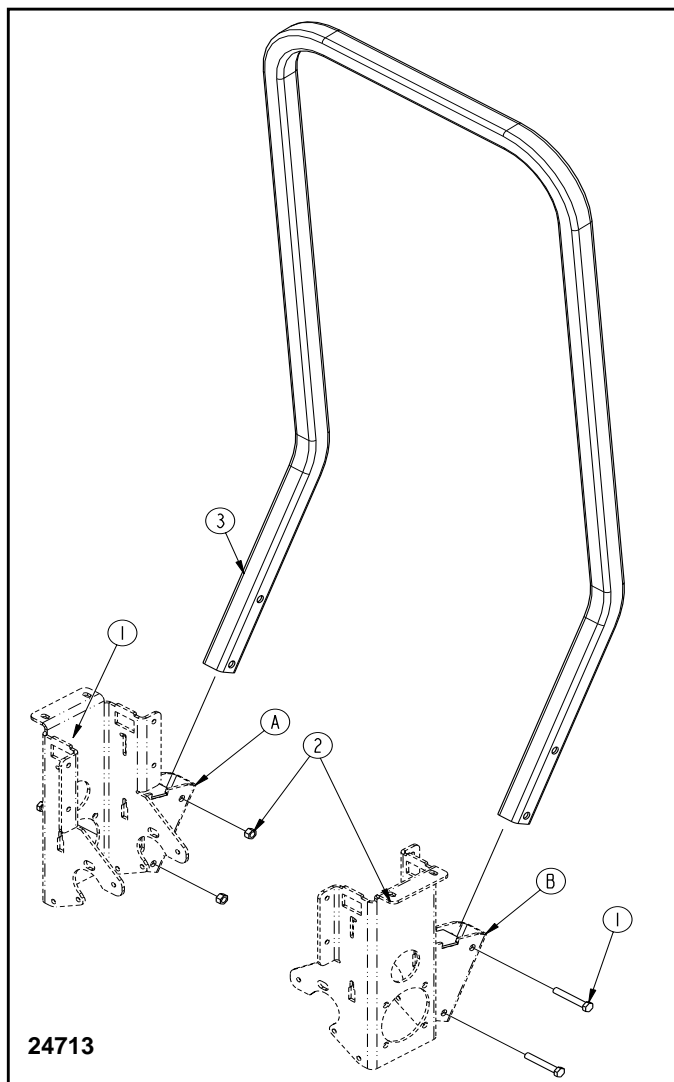
1. Insert seat belt clip (#4) with push button "A" into clip sleeve (#5).
2. Make sure push button "A" is facing out as shown. Insert 7/16" bolt (#1A) through flat washer (#3), seat belt clip & sleeve (#4 & #5), mounting hole "B" and flat washer (#3). Secure bolt with nylock nut (#2). Rotate seat belt up to the approximate angle shown and tighten nylock nut to 36 ft-lbs. of torque.
3. Orient seat belt retractor (#6) with spring retractor facing out as shown. Insert 7/16" bolt (#1B) through flat washer (#3), mounting hole "C", seat belt retractor (#6) and flat washer (#3). Secure bolt with nylock nut (#2). Rotate seat belt retractor to the approximate angle shown and tighten nylock nut to 36 ft-lbs. of torque.

Assembly Instructions

Fixed ROPS Bar Assembly

Refer to Figure 2:

1. Insert Roll Over Protective bar (#3) into mounting brackets (A & B). Mounting brackets (A & B) are located just inside and to the back of the rear tires.
2. Insert 1/2"-13 x 3 1/4" GR5 hex head cap screws (#1) through mounting brackets and ROPS (#3) mounting holes as shown.
3. Secure ROPS bar with 1/2" lock nuts (#2). Tighten lock nuts to 76 ft-lbs.

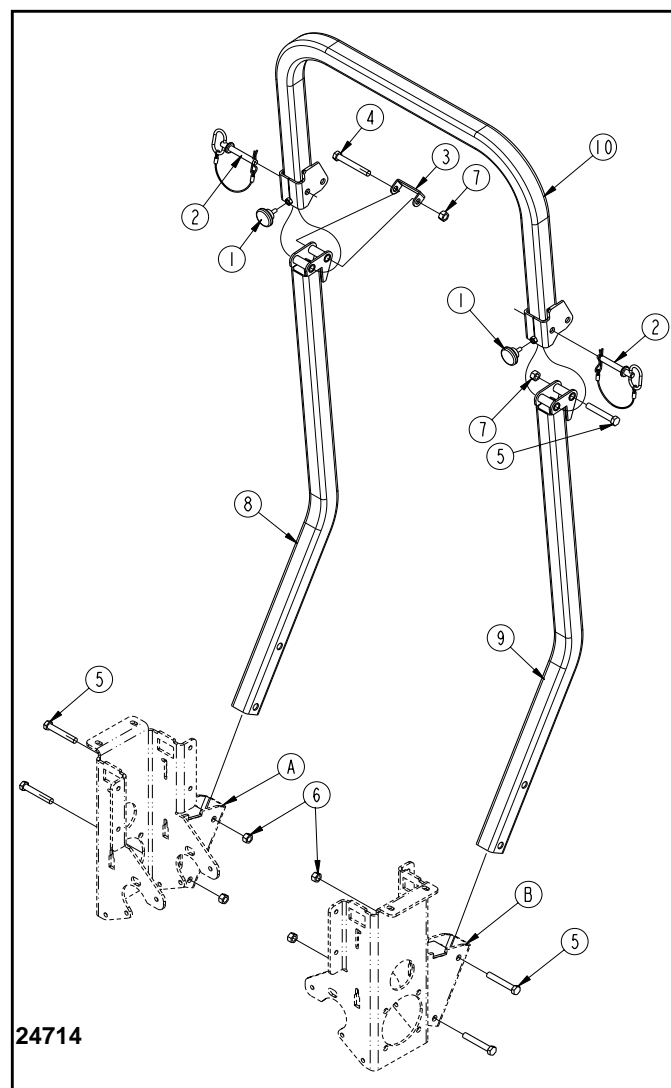


Fixed ROPS Bar Assembly
Figure 2

Folding ROPS Bar Assembly

Refer to Figure 3:

1. Install lower right hand ROPS tube (#8) in mounting bracket "A". Make sure hinge at the top faces back.
2. Insert 1/2" x 3 1/4" GR5 hex head cap screws (#5) through mounting bracket "A" and ROPS tube (#8). Secure with 1/2" lock nuts (#6). Draw lock nuts up snug, do not tighten.



Folding ROPS Bar Assembly
Figure 3

3. Install lower left hand ROPS tube (#9) in mounting bracket "B". Make sure hinge at the top faces back.
4. Insert 1/2" x 3 1/4" GR5 hex head cap screws (#5) through mounting bracket "B" and ROPS tube (#9). Secure with 1/2" lock nuts (#6). Draw lock nuts up snug, do not tighten.
5. Attach upper ROPS tube (#10) to lower left ROPS tube (#9) with 1/2" x 3 1/4" GR5 cap screws (#5) and hex lock nut (#7). Do not tighten.
6. Attach upper ROPS tube (#10) and ROPS stop (#3) to lower right ROPS tube (#8) with 1/2" x 3 3/4" GR5 cap screws (#4) and hex lock nut (#7). Do not tighten.
7. Tighten hex lock nuts (#6) to 76 ft-lbs. Draw hex lock nuts (#7) up snug, do not tighten.
8. Rotate ROPS loop end (#10) up and insert locking pins (#2). Secure locking pins with hair pin clips attached to locking pins.
9. Install locking knobs (#1) and hand tighten.

Listing of Parts**Kit No. 357-145A Fixed ROPS W/Seat Belt, Accu-Z - ZT Series**

Items	Figure No.	Part No.	Part Description	Qty
1 to 6	Figure 1	357-420A	RETRASCTABLE SEAT BELT KIT, Z-MOWERS	1
1.	Figure 2	802-099C	HHCS 1/2-13 X 3 1/4 GR5.	4
2.	Figure 2	803-019C	NUT LOCK 1/2-13 PLT	4
3.	Figure 2	823-243C	ROPS,ACCUZ FIXED	1
		357-147M	INSTRUCTION,ROPS INSTALLATION	1

Kit No. 357-146A Folding ROPS W/Seat Belt, Accu-Z - ZT Series

Items	Figure No.	Part No.	Part Description	Qty
1 to 6	Figure 1	357-420A	RETRASCTABLE SEAT BELT KIT, Z-MOWERS	1
1	Figure 3	230024700	LOCKING KNOB	2
2	Figure 3	230311900	PIN, ROPS HINGE	2
3.	Figure 3	711834101	ROPS STOP	1
4.	Figure 3	802-042C	HHCS 1/2-13 X 3 3/4 GR5.	2
5	Figure 3	802-099C	HHCS 1/2-13 X 3 1/4 GR5	4
6	Figure 3	803-019C	NUT LOCK 1/2-13 PLT	4
7	Figure 3	803-019C	NUT LOCK 1/2-13 PLT	2
8, 9, & 10	Figure 3	823-249C	ROPS,ACCUZ FOLDING.	1
		357-147M	INSTRUCTION,ROPS INSTALLATION	1



Corporate Office: P.O. Box 5060
Salina, Kansas 67402-5060 USA
www.landpride.com
