

Mulching Baffle Kit Land Pride Zero Turn Mower



Razor ZR44, ZR52, ZRP44 & ZRP52 & Accu-Z Z52, Z60 & Z72 Manual No. 356-033M

Before You Start



When you see this symbol, the subsequent instructions and warnings are serious - follow without exception. Your life and the lives of others depend on it!

IMPORTANT: Before you begin, read these instructions and check to be sure all parts and tools are accounted for. Please retain these installation instructions for future reference and parts ordering information.

Your Land Pride Mulching Baffle Kit is exclusively designed for your Land Pride Zero Turn mower. Please read these installation instructions and the vehicle Operator's Manual thoroughly before beginning. Especially read information relating to safety concerns. Also included in the Operator's Manual is important information on operation, adjustment, troubleshooting, and maintenance for this attachment (some manual sections do not apply to all accessories).

A separate Parts Manual for replacement parts can be purchased from your dealer or available free of charge at www.landpride.com. Have model and serial numbers handy when placing an order.

Manual Part Numbers:

- Operator's Manual (ZR & ZRP Models) 356-059M
- Parts Manual (ZR & ZRP Models) 356-059P
- Operator's Manual (ZRP Models) 356-005M
- Parts Manual (ZRP Models). 356-005P

General Information

These assembly instructions apply to the following Mulching Baffle Kits listed below:

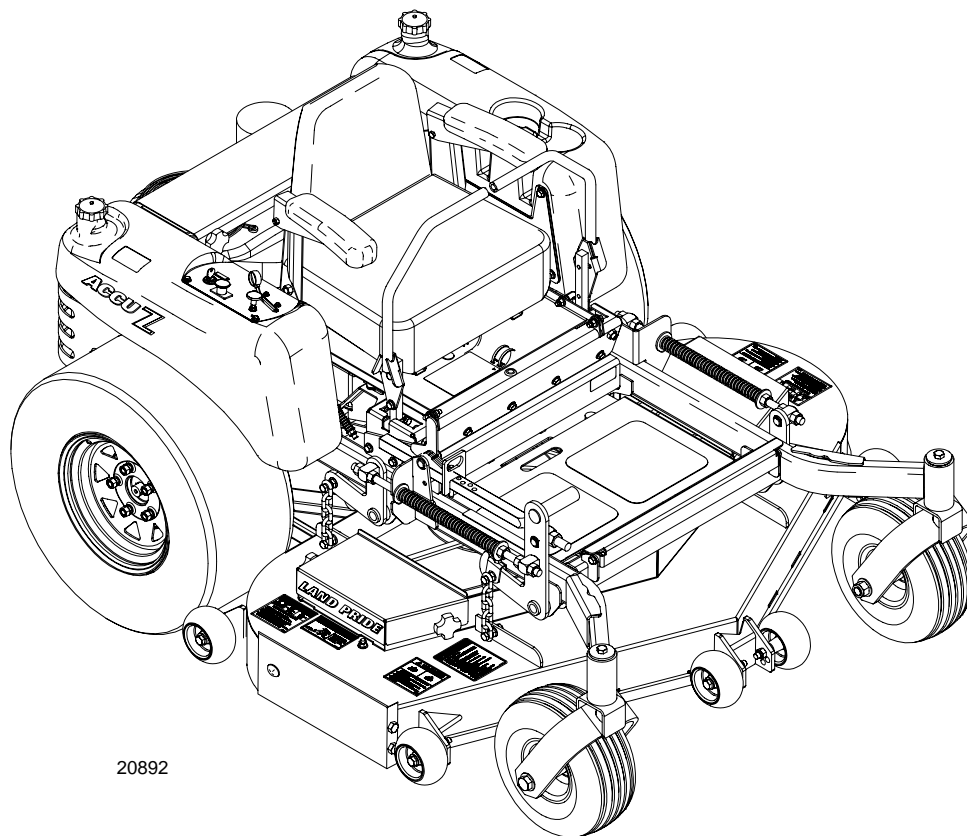
- 356-093A ZR/ZRP44 MLCH BFL KIT XL RAZOR
- 356-094A ZR/ZRP52 MLCH BFL KIT XL RAZOR
- 356-035A Z52 MULCH BAFFLE KIT XL ACCU-Z
- 356-032A Z60 MULCH BAFFLE KIT XL ACCU-Z
- 356-051A Z72 MULCH BAFFLE KIT XL ACCU-Z

Tools required

- Basic hand tools

Definitions

Right-hand and left-hand as used in this manual is determined by facing the direction the machine will operate while in use unless otherwise stated.



20892

ZR/ZRP44 & ZR/ZRP52 Instructions

ZR/ZRP44 & ZR/ZRP52 Instructions

For Kit No's. 356-093A & 356-094A

Use the list below that is for your Mulching Baffle Kit as a checklist to inventory parts received. Please contact your local Land Pride dealer for any missing hardware.

1. Park mower on a flat surface, place control levers in park brake position, shut off engine and remove spark plug wire from spark plug.
2. Remove deck cover and raise front end of mower enough to allow room to install the baffles.

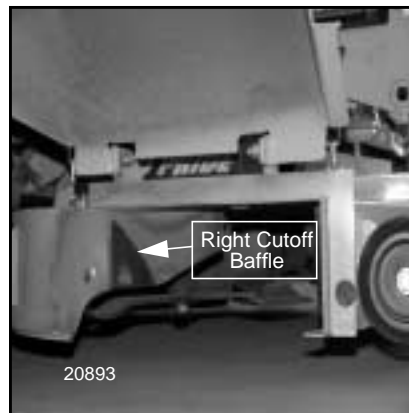
NOTE: Be sure to properly block up mower so it can not move after it is raised.

Refer to Figure 1:

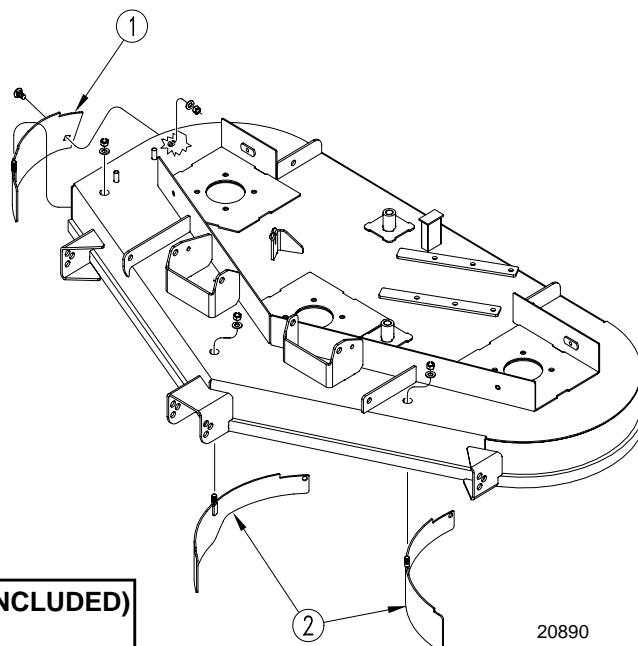
3. Remove the right cutoff baffle and discharge chute bracket. Keep the hardware as it will be used when the discharge chute is used. The carriage bolt, flat washer and nut which are removed here will need to be reused to attach the baffle weldment.

Refer to Figure 2:

4. Locate pilot holes which are predrilled in deck top. Drill these three holes out using a 13/32" drill bit. Make sure to drill through both walls of the deck.
5. Mount baffles (1 and 2) to deck using hardware supplied with kit and removed in step 3.
6. Lower unit and reconnect spark plug wire.



**Mulch Kit Baffles
Figure 1**



**ZR44 & ZR52 Mulching Baffle Kit
Figure 2**

| 356-093A ZR44 MULCHING BAFFLE KIT (BLADES NOT INCLUDED) | | | |
|----------------------------------------------------------------|------|----------|-------------------------------------------|
| Your kit includes: | | | |
| Item | Qty. | Part No. | Part Description |
| 1 | 1 | 356-090H | ZR44" MULCH BAFFLE 11.13" CHORD LENGTHG. |
| 2 | 2 | 356-092H | ZR44" MULCH COMMON BAFFLE 13.25" CHORD LG |
| | 1 | 802-149C | RHSNB 3/8-16X3/4 GR5 |
| | 4 | 803-014C | NUT HEX 3/8-16 PLT |
| | 4 | 804-012C | WASHER FLAT 3/8 SAE PLT |
| | 1 | 356-033M | MULCHING BAFFLE KIT MANUAL Z MOWER |

| 356-094A ZR52 MULCHING BAFFLE KIT (BLADES NOT INCLUDED) | | | |
|----------------------------------------------------------------|------|----------|--------------------------------------------|
| Your kit includes: | | | |
| Item | Qty. | Part No. | Part Description |
| 1 | 1 | 356-089H | ZR52" MULCH BAFFLE 12.06" CHORD LENGTH |
| 2 | 2 | 356-091H | ZR52" MULCH COMMON BAFFLE 14.25" CHORD LG. |
| | 1 | 802-149C | RHSNB 3/8-16X3/4 GR5 |
| | 4 | 803-014C | NUT HEX 3/8-16 PLT |
| | 4 | 804-012C | WASHER FLAT 3/8 SAE PLT |
| | 1 | 356-033M | MULCHING BAFFLE KIT MANUAL Z MOWER |

| Mulching Blade Ordering Information | |
|----------------------------------------------|---------------------------|
| Mower Model | Requires 3 Blades |
| ZR44 | 839-269C 16" Mulch Blade |
| ZR52 | 839-270C 18" Mulch Blade* |
| *ZR52 Use only with Mulch Kit (P/N 356-094A) | |

Z52, Z60 & Z72 Assembly Instructions

Z52, Z60 & Z72 Assembly Instructions

For Kit No's. 356-035A, -032A & -051A

A detailed listing of parts for each accessory kit is provided on page 4. Use the list that is for your Mulching Baffle Kit as a checklist to inventory parts received. Please contact your local Land Pride dealer for any missing hardware.

1. Park mower on a flat surface, place control levers in park brake position, shut off engine and remove spark plug wire from spark plug.
2. Remove deck cover and raise front end of mower enough to allow room to install baffles.

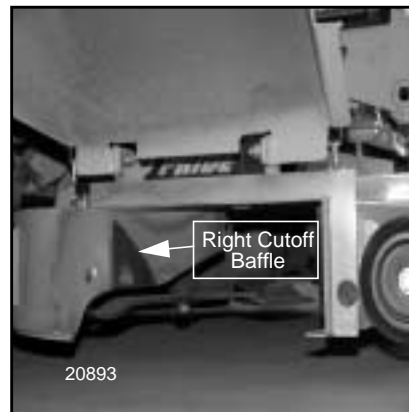
NOTE: Be sure to properly block up the mower so it can not move after it is raised.

Refer to Figure 3:

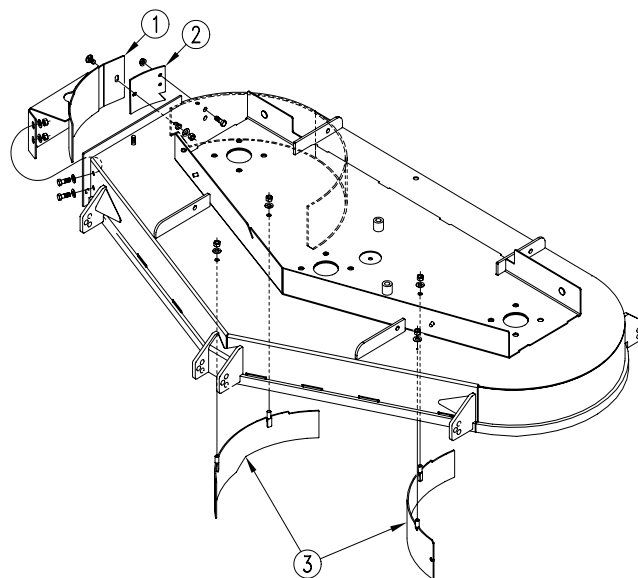
3. Remove right cutoff baffle and discharge chute bracket. Keep hardware as it will be used when discharge chute is used. The carriage bolt, flat washer and nut which are removed here will need to be reused to attach the baffle weldment.

Refer to Figure 4:

4. Locate pilot holes which are predrilled in the deck top. Drill these six holes (four in the 52" deck) out using a 13/32" drill bit. Make sure to drill through both walls of the deck.
5. Mount baffles (1, 2 and 3) to the deck using hardware supplied with the kit and hardware removed in step 3.
6. Lower unit and reconnect spark plug wire.



**Mulch Kit Baffles
Figure 3**



**Z52, Z60 & Z72 Mulching Baffle Kit
Figure 4**

| Mulching Blade Ordering Information | |
|-------------------------------------|--------------------------|
| Mower Model | Requires 3 Blades |
| Z52 | 839-159C 18" Mulch Blade |
| Z60 S/N 336847+ | 839-181C 21" Mulch Blade |
| Z60 S/N 336846- | 839-081C 21" Mulch Blade |
| Z72 | 839-186C 24" Mulch Blade |

356-035A Z52 MULCHING BAFFLE KIT (BLADES NOT INCLUDED)

Your kit includes:

| Item | Qty. | Part No. | Part Description |
|------|------|----------|--------------------------------|
| 1 | 1 | 356-036H | MULCH KIT BAFFLE WLD RH Z52 |
| 2 | 1 | 357-175D | DISCHARGE ADAPTER PLATE 52 IN. |
| 3 | 2 | 356-024D | MULCH KIT BAFFLE Z52 |
| | 2 | 802-014C | HHCS 3/8-16X3/4 GR5 |
| | 2 | 802-017C | HHCS 3/8-16X1 GR5 |
| | 1 | 802-149C | RHSNB 3/8-16X3/4 GR5 |
| | 5 | 803-014C | NUT HEX 3/8-16 PLT |
| | 5 | 803-209C | NUT FLANGE LOCK 3/8-16 PLT |
| | 7 | 804-012C | WASHER FLAT 3/8 SAE PLT |
| | 1 | 356-033M | MANUAL MULCH BFL KIT XL Z MWR |

356-032A Z60 MULCHING BAFFLE KIT (BLADES NOT INCLUDED)

Your kit includes:

| Item | Qty. | Part No. | Part Description |
|------|------|----------|--------------------------------|
| 1 | 1 | 356-034H | MULCH BAFFLE WELDMENT |
| 2 | 1 | 357-174D | DISCHARGE ADAPTER PLATE 60 IN. |
| 3 | 2 | 356-143H | BAFFLE LH/CNT Z60 WLDMT |
| | 2 | 802-014C | HHCS 3/8-16X3/4 GR5 |
| | 2 | 802-017C | HHCS 3/8-16X1 GR5 |
| | 1 | 802-149C | RHSNB 3/8-16X3/4 GR5 |
| | 7 | 803-014C | NUT HEX 3/8-16 PLT |
| | 2 | 803-209C | NUT FLANGE LOCK 3/8-16 PLT |
| | 9 | 804-012C | WASHER FLAT 3/8 SAE PLT |
| | 1 | 356-033M | MANUAL MULCH BFL KIT XL Z MWR |

356-051A Z72 MULCHING BAFFLE KIT (BLADES NOT INCLUDED)

Your kit includes:

| Item | Qty. | Part No. | Part Description |
|------|------|----------|--------------------------------|
| 1 | 1 | 356-034H | MULCH BAFFLE WELDMENT |
| 2 | 1 | 357-173D | DISCHARGE ADAPTER PLATE 72 IN. |
| 3 | 2 | 356-144H | BAFFLE LH/CNT Z72 WLDMT |
| | 2 | 802-014C | HHCS 3/8-16X3/4 GR5 |
| | 2 | 802-017C | HHCS 3/8-16X1 GR5 |
| | 1 | 802-149C | RHSNB 3/8-16X3/4 GR5 |
| | 7 | 803-014C | NUT HEX 3/8-16 PLT |
| | 2 | 803-209C | NUT FLANGE LOCK 3/8-16 PLT |
| | 9 | 804-012C | WASHER FLAT 3/8 SAE PLT |
| | 1 | 356-033M | MANUAL MULCH BFL KIT XL Z MWR |



Corporate Office: P.O. Box 5060
Salina, Kansas 67402-5060 USA
www.landpride.com