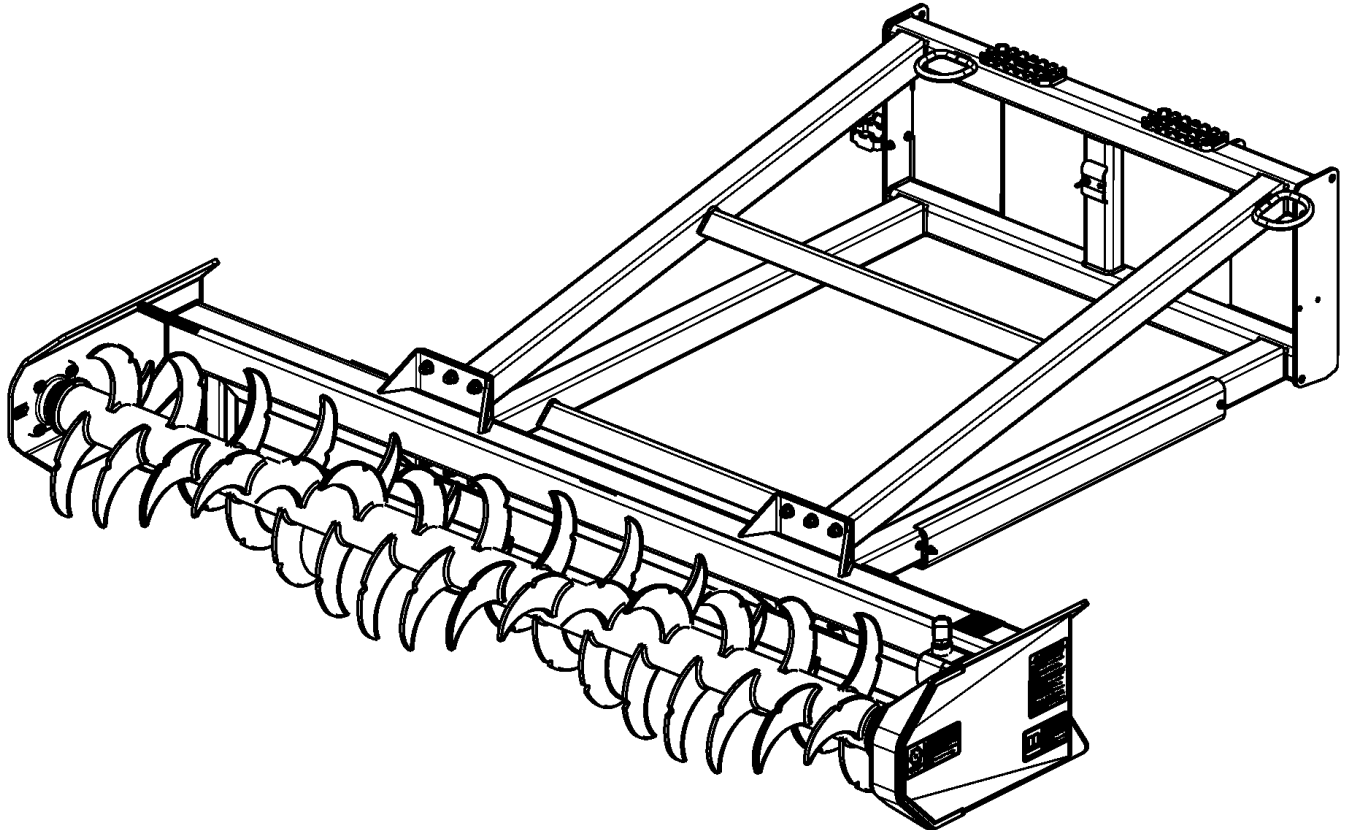


Silage Defacer

AP-SD96



72514

350-270PK Parts Manual

Kubota®



Read the Operator's Manual entirely. When you see this symbol, the subsequent instructions and warnings are serious - follow without exception. Your life and the lives of others depend on it!

© Copyright 2019 Printed 06/13/19

Cover photo may show optional equipment not supplied with standard unit.



Table of Contents

Section 1: Introduction.....	4
Using This Manual.....	4
Manual Replacement Information.....	4
Manual Revisions.....	4
Touch-up Paint.....	4
Hardware Legend.....	5
Replacement Hardware.....	5
Serial Numbers.....	5
Part Number Service Coding.....	5
Section 2: Frame.....	6
Frames & Components.....	6
Section 3: Hydraulic Components.....	8
Hydraulic Motor & Fittings.....	8
Hydraulic Motor Eaton (850-139C) 15-26 GPM.....	10
Section 4: Drive.....	12
Drive Components.....	12
Section 5: Options.....	14
Frame Options.....	14
Skid Steer Hydraulic Components.....	16
Tractor Hydraulic Components.....	18
Section 6: Decals.....	20
Decals.....	20
Kubota Touch-up Paints.....	22
Part Number Index.....	24

© Copyright 2019. All rights reserved.

Kubota provides this publication “as is” without warranty of any kind, either expressed or implied. While every precaution has been taken in the preparation of this manual, Kubota assumes no responsibility for errors or omissions. Neither is any liability assumed for damages resulting from the use of the information contained herein. Kubota reserves the right to revise and improve its products as it sees fit. This publication describes the state of this product at the time of its publication, and may not reflect the product in the future. The illustrations in this manual are not intended for safe and proper assembly or disassembly of equipment. The illustrations are intended for ordering parts only.

Kubota is registered trademark.

All other brands and product names are trademarks or registered trademarks of their respective holders.

Printed in the United States of America.



Alphabetized Table of Contents

D	
Decals.....	20
Drive Components.....	12
F	
Frame Options.....	14
Frames & Components.....	6
H	
Hydraulic Motor & Fittings.....	8
Hydraulic Motor Eaton (850-139C) 15-26 GPM.....	10
K	
Kubota Touch-up Paints.....	22
S	
Skid Steer Hydraulic Components.....	16
T	
Tractor Hydraulic Components.....	18

General Information

Using This Manual

This manual is divided into sections. The first section contains General Information. The remaining sections divide the machine into segments (i.e. Frames, Drives, Hydraulics, etc.) which illustrate and list all parts. A Parts Number Index is located at the back of the book.

The Kubota parts in this manual are specially designed for this machine and should be replaced with Kubota parts only.

The information in this manual is current at time of printing. Some parts may change to assure top performance.

Right-hand and left-hand as used in this manual are determined by facing the direction the machine will travel while in use.

Below is an example of two facing pages from a parts manual. Familiarize yourself with the type of information contained on these pages.

Manual Replacement Information

Replacement manuals are available. Refer to our website at www.landpride.com for additional information. Our website continues to provide the most up-to-date manuals available.

Touch-up Paint

Repaint parts where paint is worn or scratched to prevent rust. Aerosol cans and touch-up bottles with brush applicator are available through your local dealer. Also available are quart and gallon size paints. Add QT or GL to end of the Aerosol P/N.

Kubota color descriptions and part numbers are listed on the "Kubota Touch-up Paints" page in the "Decals" section of this book.



General Information

Hardware Legend

AR	As Required
BLADE	Blade Bolt
C	Cap Screw
CP	Cotter Pin
CPHSSS	Cup Point Hex Socket Set Screw
CPSHSS	Cup Point Square Head Set Screw
CPSQHSS	Cup Point Square Head Set Screw
CRFCHMS3	Cross Recess Flat Countersunk Head Machine Screw
CRPHMS	Cross Recess Pan Head Machine Screw
CRPHTFS	Cross Recess Pan Head Thread Forming
CRRHMS	Cross Recess Round Head Machine Screw
CRTHMS	Cross Recess Truss Head Machine Screw
CSNB	Countersunk Square Neck Bolt
FHMS	Flat Head Machine Screw
FTC	Full Thread Cap Screw
H	Hex Nut
HCLN	Hex Center Lock Nut
HFLCS	Hex Flange Lock Cap Screw
HFS	Hex Flange Screw
HFSLN	Hex Flange Serrated Lock Nut
HFSS	Hex Flange Serrated Screw
HHCS	Hex Head Cap Screw or Metric Bolt
HSBHCS	Hex Socket Button Head Cap Screw
HSFCHCS	Hex Socket Flat Countersunk Head Cap Screw
HSHCS	Hex Socket Head Cap Screw
HSSS	Hex Socket Head Screw
HTLN	Hex Top Lock Nut
HWHCS	Hex Washer Head Cap Screw

HWHMS	Hex Washer Head Machine Screw
HXBHCS	Hex Socket Button Head Cap Screw
J	Hex Jam Nut
JIC	37 Degree Tapered Thread
L	Helical Spring Lock Washer
LUG	Lug Bolt
NFC	National Fine Cap Screw
NPSM	National Pipe Straight Mechanical
NPTF	National Pipe Taper Fuel
P	Wide Plain Washer
PHMS	Pan Head Machine Screw
PLOW	Plow Bolt
RHMS	Round Head Machine Screw
RHSNB	Round Head Square Neck Bolt
SCREW LEVELING	Leveling Screw
SCREW THUMB	Thumb Screw
SCREW WELD	Weld Screw
SFCHMS	Slotted Flat Countersunk Head Machine Screw
SFHMS	Slotted Fillister Head Machine Screw
SP	Special
SP SCREW	Special Screw
SQHSS	Square Head Set Screw
SRHMS	Slotted Round Head Machine Screw
SSS	Socket Set Screw
STCS	Self Tapping Cap Screw
STHMS	Slotted Truss Head Machine Screw
WHEEL	Wheel Studs and Hub Long Bolts
WING	Wing Bolt

Replacement Hardware

The **Hardware Legend** above lists hardware abbreviations used in the parts list. All bolts and nuts are Grade 5 unless otherwise noted. The use of improper grades of hardware can result in personal injury, damage to equipment, or loss of property.

Part Number Service Coding

Within the parts list some part numbers are coded for revisions and interchangeability. See notations in revision column.

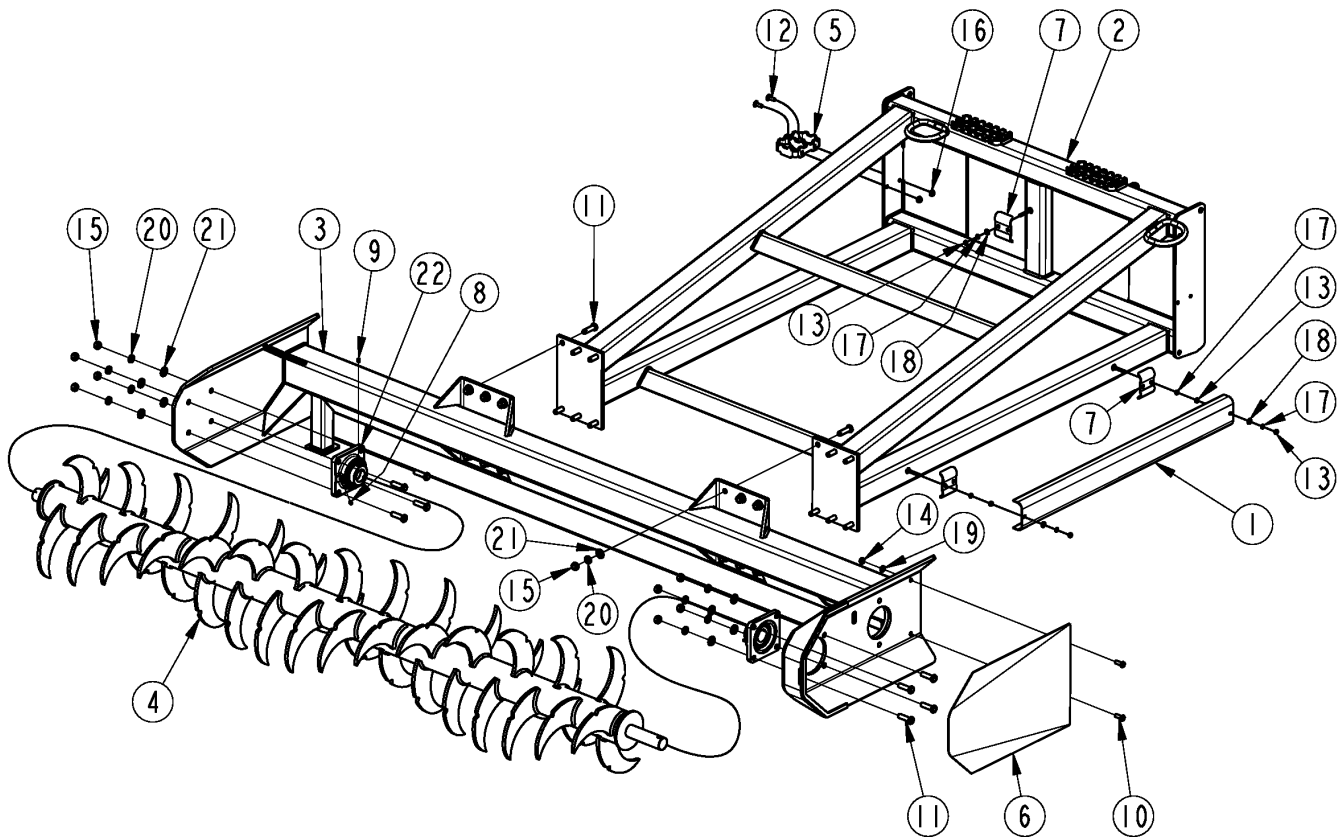
Serial Numbers

Always use the serial and model number when ordering parts. Refer to the Operator's Manual for serial number plate location.

- (S/N 20001+) Includes serial numbers 20001 and above (to the latest number)
- (S/N 10001 to 20000) Includes serial numbers between and including 10001 and 20000
- (S/N 10000-) Includes serial numbers 10000 and below (to the earliest number)

Frames & Components

Applies to AP-SD96



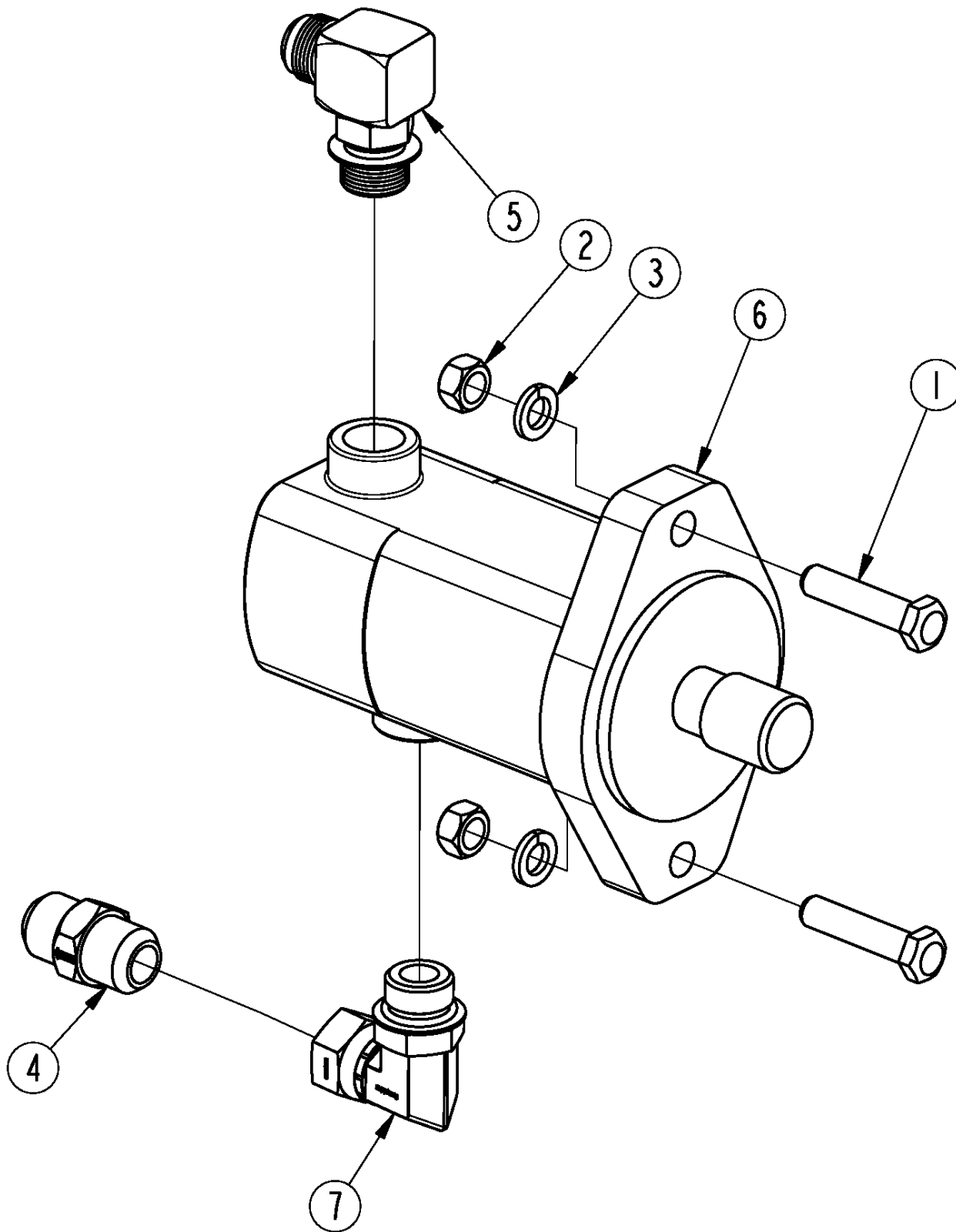
72515

Frames & Components**Applies to AP-SD96**

Ref	Part No.	Part Description	Comments	Revision
	Dwg 72515	Image No.		
1.	316-256D	EXTENDED ARM HOSE COVER		
2.	350-237H	EXTENSION FRAME 5'		
2.	350-259H	EURO EXT FRAME	Euro style hitch	
3.	350-373H	ROTOR FRAME		
4.	350-392H	ROTOR		
5.	350-527D	SKID STEP CASTING BLACK		
6.	350-548D	CHAIN GUARD		
7.	502-068D	HYD HOSE CLAMP BRACKET		
8.	800-001C	GREASE ZERK STRAIGHT 1/4-28		
9.	801-108C	SCREW SET SCKT HD 1/4-20X3/8		
10.	802-017C	HHCS 3/8-16X1 GR5		
11.	802-082C	HHCS 1/2-13X1 3/4 GR5 FTTHD		
12.	802-282C	RHSNB 5/16-18X1 GR5		
13.	803-006C	NUT HEX 1/4-20 PLT		
14.	803-013C	NUT LOCK 3/8-16 PLT		
15.	803-020C	NUT HEX 1/2-13 PLT		
16.	803-177C	NUT HEX FLG TP LK 5/16-18ZNYCR		
17.	804-006C	WASHER LOCK SPRING 1/4 PLT		
18.	804-007C	WASHER FLAT 1/4 SAE PLT		
19.	804-013C	WASHER LOCK SPRING 3/8 PLT		
20.	804-015C	WASHER LOCK SPRING 1/2 PLT		
21.	804-016C	WASHER FLAT 1/2 SAE PLT		
22.	822-004C	BRG FLG 1.50ID 4BLT LOCK		

Hydraulic Motor & Fittings

Applies to AP-SD96



72526

Hydraulic Motor & Fittings

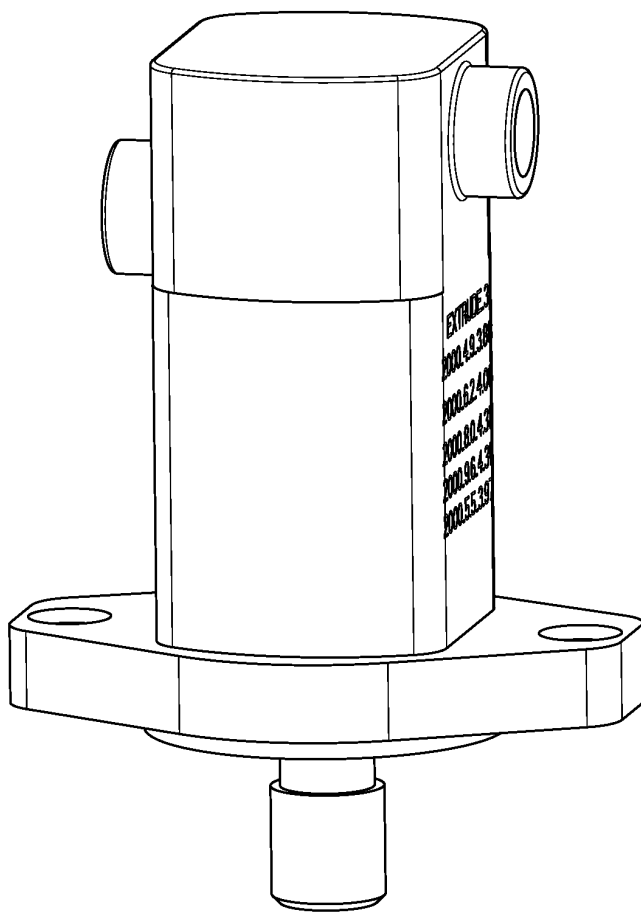
Applies to AP-SD96

Ref	Part No.	Part Description	Comments	Revision
	Dwg 72526	Image No.		
1.	802-038C	HHCS 1/2-13X2 1/4 GR5		
2.	803-020C	NUT HEX 1/2-13 PLT		
3.	804-015C	WASHER LOCK SPRING 1/2 PLT		
4.	810-715C	VALVE 3/4 IN-LINE CHECK		
5.	811-411C	EL 1 1/16MJIC 1 1/16MORB		
6.	850-139C	HYD. MOTOR 6.2 SAEB 1.06		
7.	861-564C	EL 1 1/16MORB 1 1/16FJIC		

Hydraulic Motor Eaton (850-139C) 15-26 GPM

Applies to AP-SD96

NO PARTS AVAILABLE FOR THIS MOTOR AT THIS TIME



70010

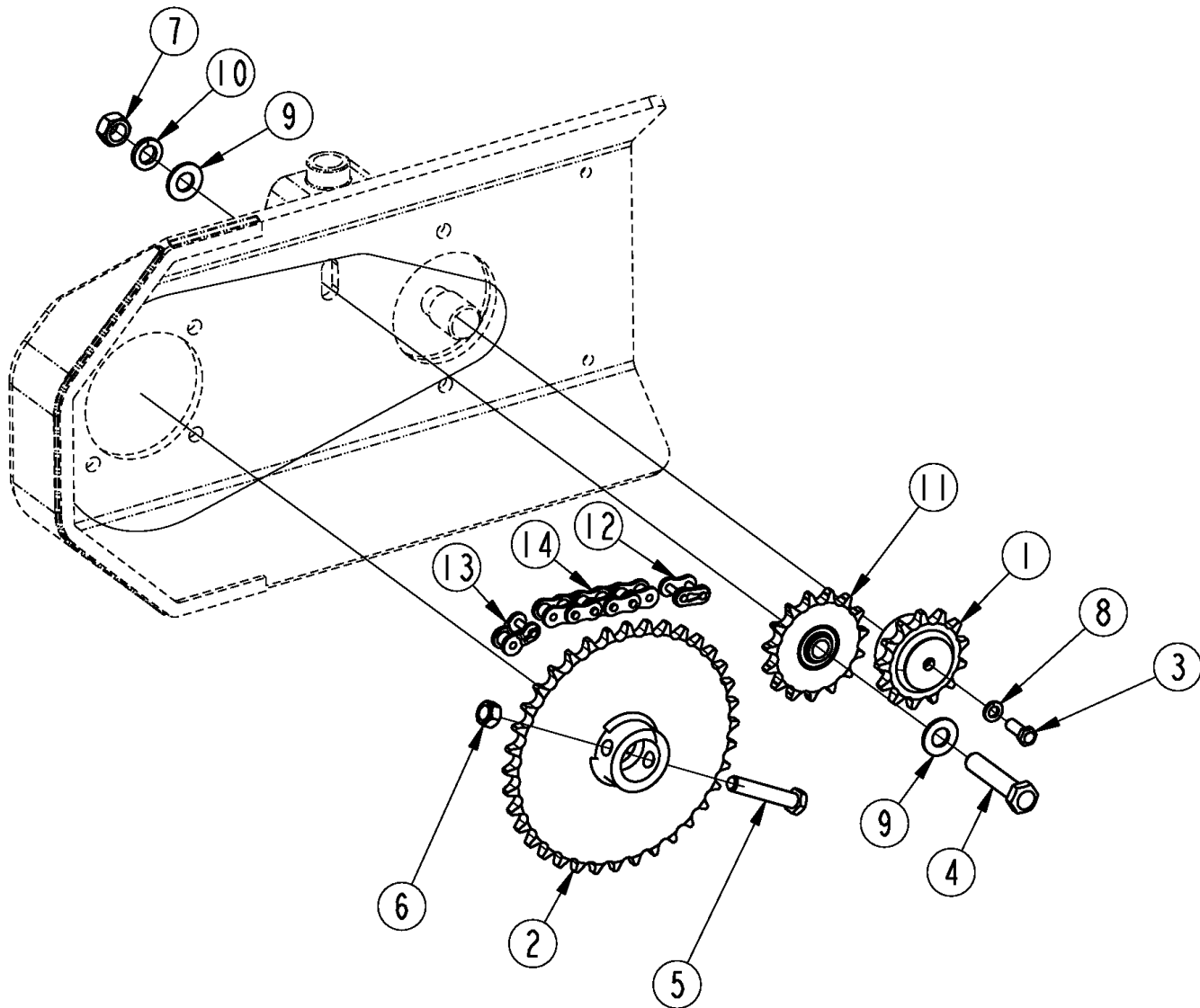
Hydraulic Motor Eaton (850-139C) 15-26 GPM

Applies to AP-SD96

No Parts List associated with this diagram

Drive Components

Applies to AP-SD96



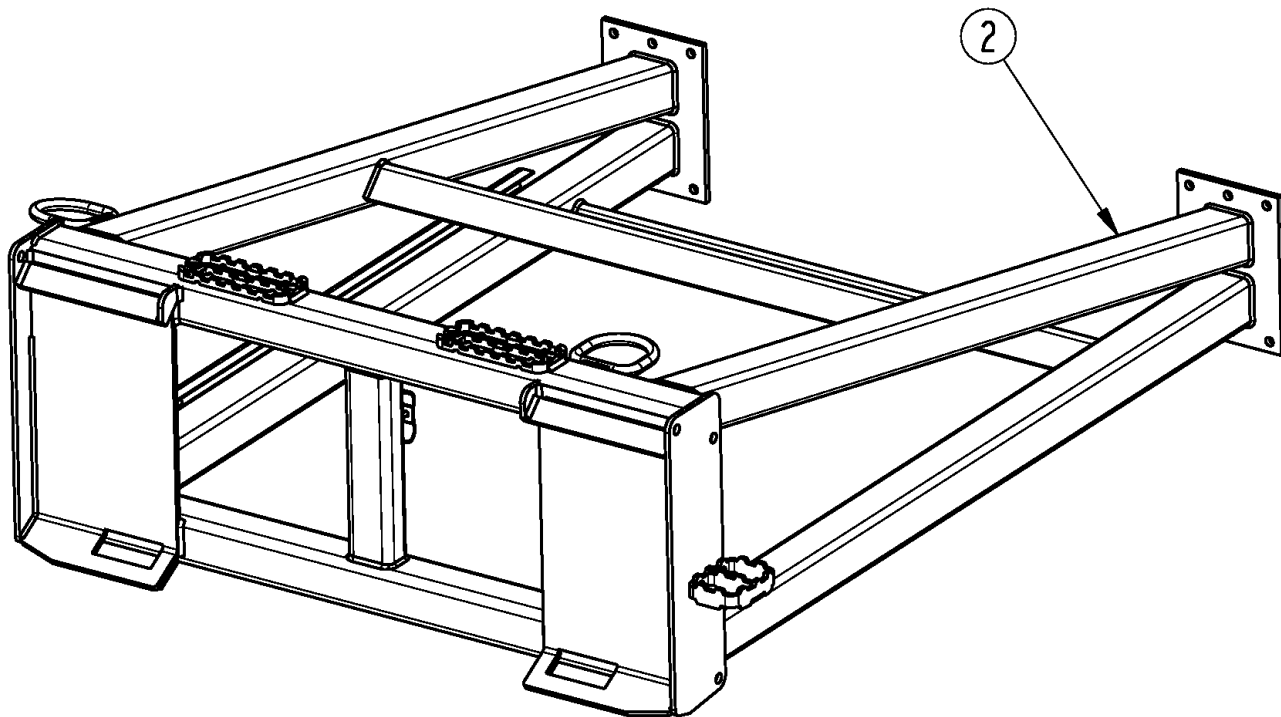
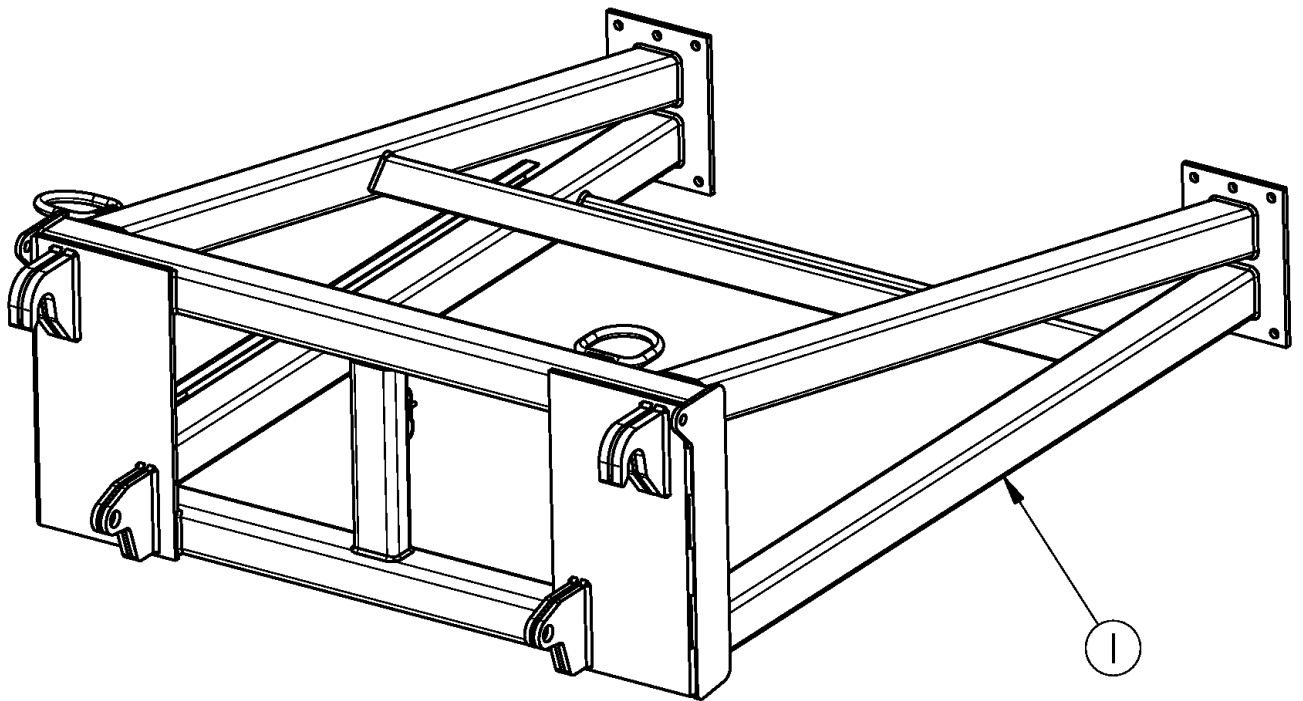
72523

Drive Components**Applies to AP-SD96**

Ref	Part No.	Part Description	Comments	Revision
	Dwg 72523	Image No.		
1.	350-244H	MOTOR SPROCKET		
2.	350-371H	SPROCKET		
3.	802-017C	HHCS 3/8-16X1 GR5		
4.	802-059C	HHCS 5/8-11X3 GR5		
5.	802-226C	HHCS 1/2-13X2 3/4 GR5		
6.	803-019C	NUT LOCK 1/2-13 PLT		
7.	803-021C	NUT HEX 5/8-11 PLT		
8.	804-013C	WASHER LOCK SPRING 3/8 PLT		
9.	804-021C	WASHER FLAT 5/8 SAE PLT		
10.	804-022C	WASHER LOCK SPRING 5/8 PLT		
11.	808-400C	60C15 IDLER SPROCKET W/BEARING		
12.	809-239C	CHAIN CONNECTOR LINK #60H		
13.	809-240C	CHAIN CONNECTOR OFFSET #60H		
14.	809-258C	CHAIN RL #60 57 PITCH		

Frame Options

Applies to AP-SD96



72528

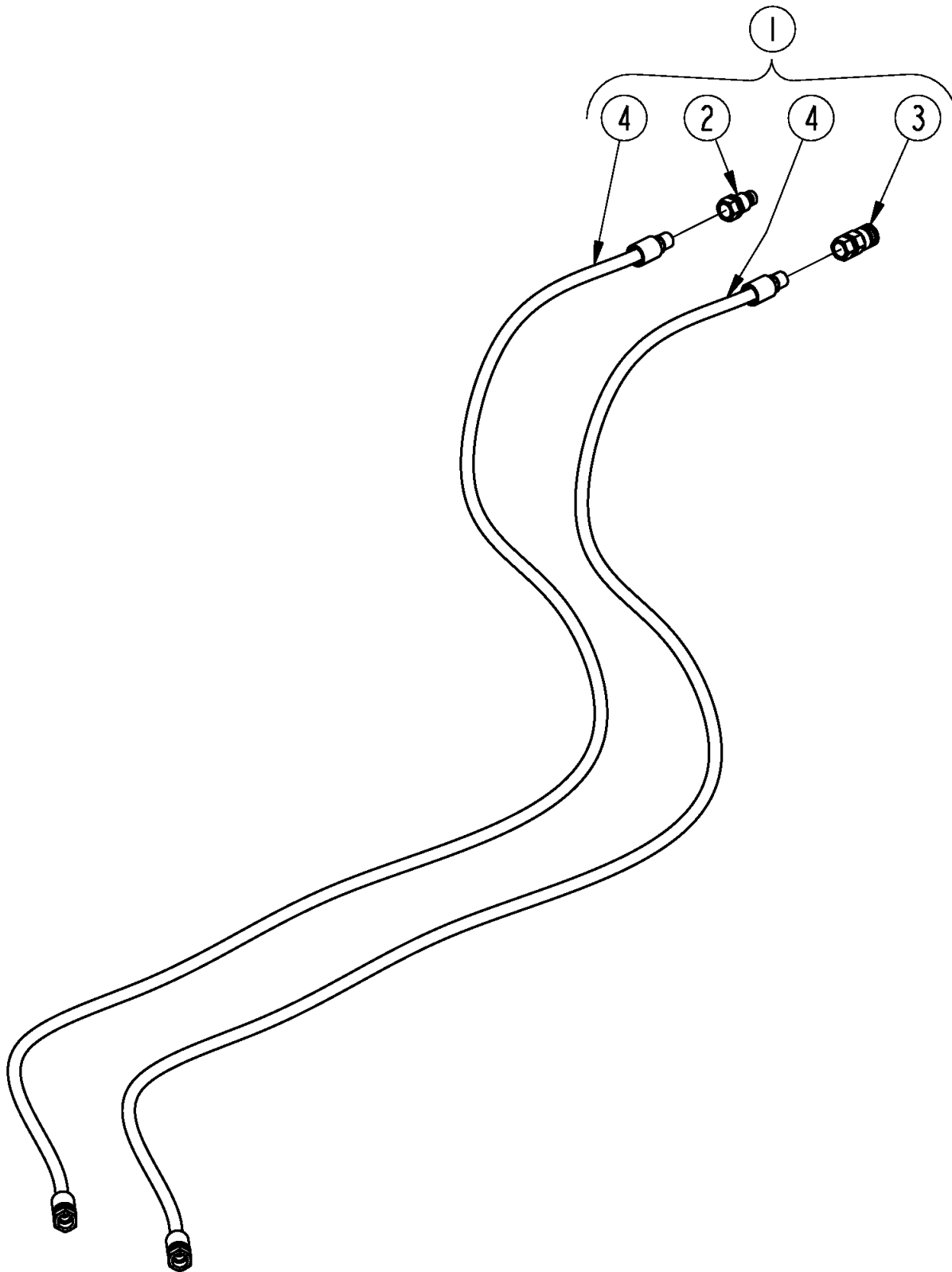
Frame Options

Applies to AP-SD96

Ref	Part No.	Part Description	Comments	Revision
	Dwg 72528	Image No.		
1.	350-239A	HITCH EXTENSION EURO		
2.	350-260A	HITCH EXTENSION QUICK		

Skid Steer Hydraulic Components

Applies to AP-SD96



72517

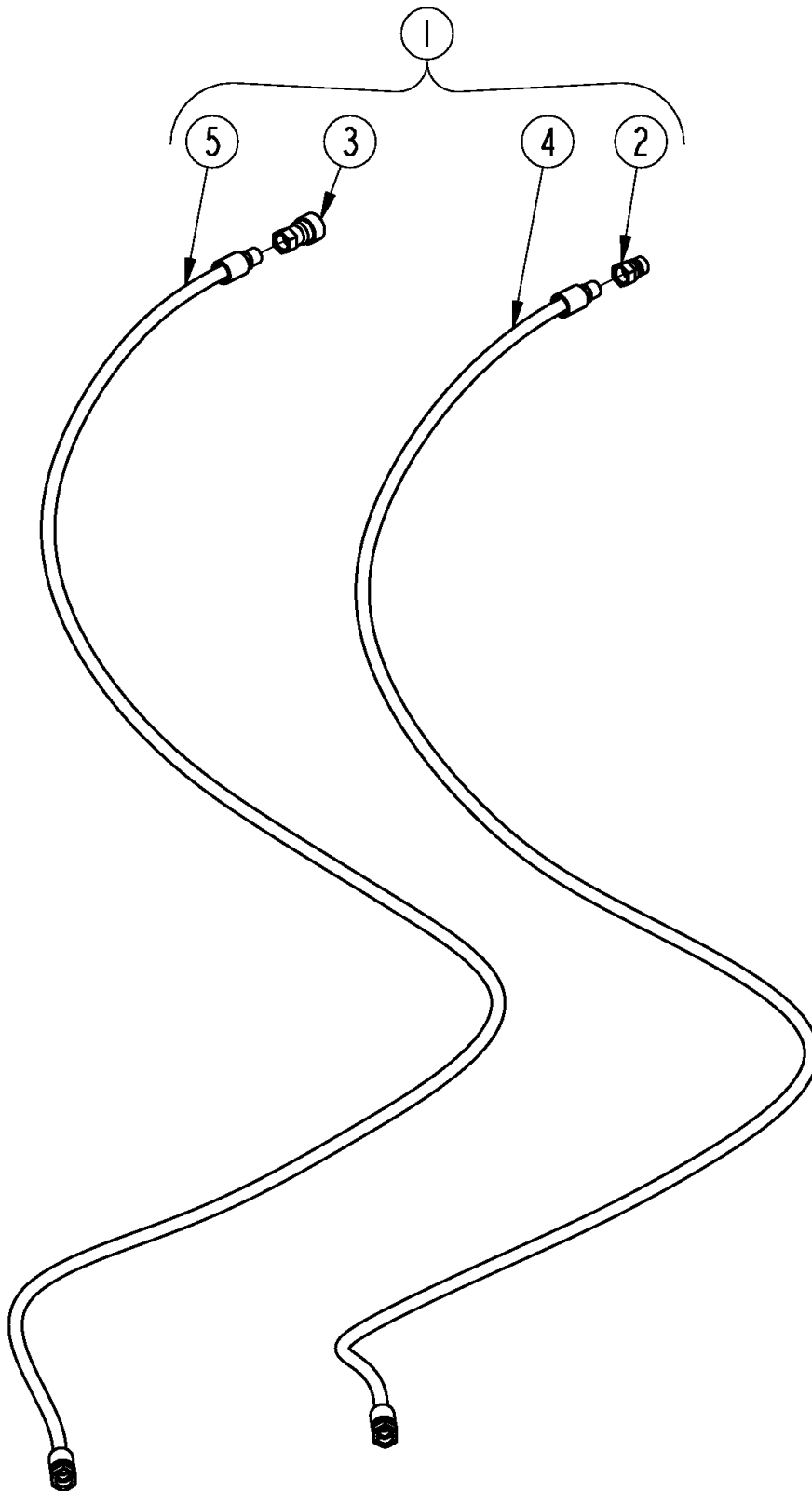
Skid Steer Hydraulic Components

Applies to AP-SD96

Ref	Part No.	Part Description	Comments	Revision
	Dwg 72517	Image No.		
1.	350-269A	SKID LOADER HOSES		
2.	851-947C	CUP 1 1/16FORB MALE QUICK CPLR		
3.	851-948C	CUP 1 1/16FORB FML QUICK CPLR		
4.	861-160C	HH3/4R12 149.40 1.06FJICMORB		

Tractor Hydraulic Components

Applies to AP-SD96



72520

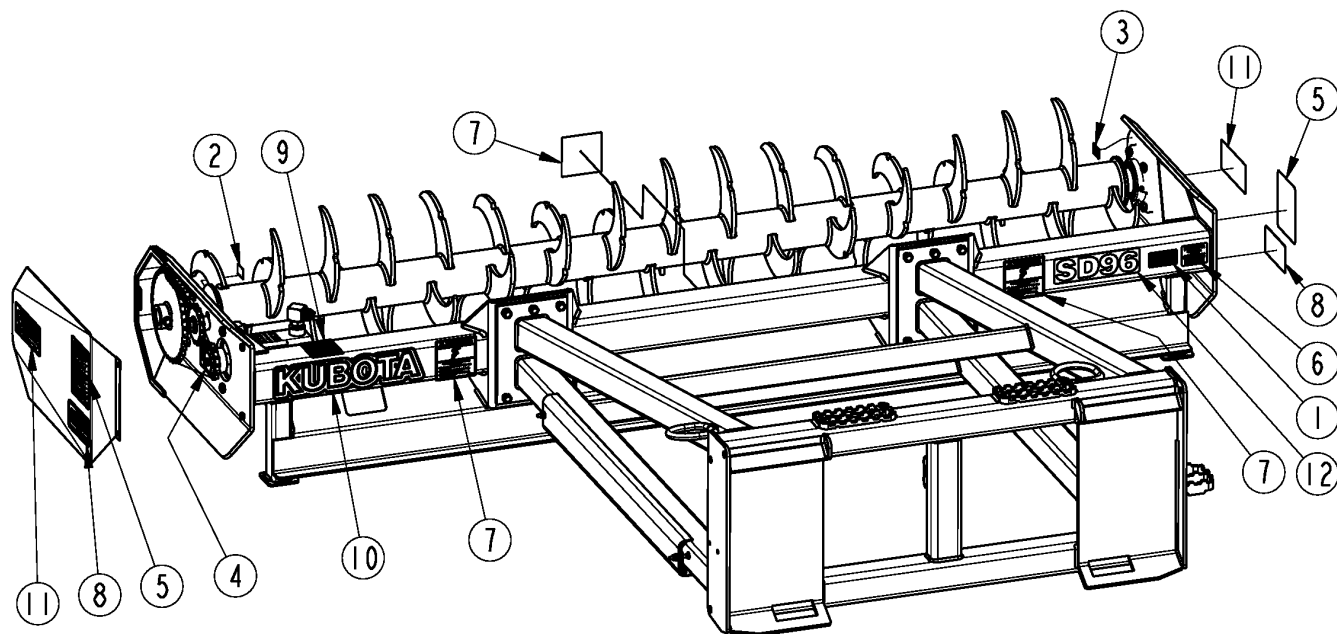
Tractor Hydraulic Components

Applies to AP-SD96

Ref	Part No.	Part Description	Comments	Revision
	Dwg 72520	Image No.		
1.	350-267A	TRACTOR LOADER HOSES		
2.	811-184C	CP 1 1/16 FORB QD MALE		
3.	811-185C	CP 1 1/16 FORB QD FEMALE		
4.	861-163C	HH3/4R12 154 1.06FJICMORB		
5.	861-164C	HH3/4R12 152 1.06FJICMORB		

Decals

Applies to AP-SD96



72525

Decals

Applies to AP-SD96

Ref	Part No.	Part Description	Comments	Revision
	Dwg 72525	Image No.		
1.	818-190C	DECAL FLAG		
2.	818-349C	DECAL GREASE 10 HRS LH		
3.	818-402C	DECAL GREASE 10 HRS RH		
4.	818-543C	DECAL DANGER PD GUARD MISS SML		
5.	818-858C	DECAL WARNING GENERAL SAFTEY		
6.	N/A	ID PLATE, KUBOTA		
7.	838-107C	DECAL WARNING THROWN OBJECT		
8.	838-293C	DECAL WARNING READ MANUAL		
9.	848-747C	DECAL HIGH PRESSURE FLUIDS		
10.	858-399C	DECAL KUBOTA 15"		
11.	858-772C	DECAL DANGER ROTATING PARTS		
12.	858-893C	DECAL SD96		

Kubota Touch-up Paints

Applies to AP-SD96

No diagram associated with this Parts List

Kubota Touch-up Paints

Applies to AP-SD96

Ref	Part No.	Part Description	Comments	Revision
1.	821-070C	GLOSS BLACK SPRAY CAN	All Products	
2.	821-070CTU	GLOSS BLACK TOUCH-UP 5OZ		
3.	821-070CQT	GLOSS BLACK QUART		
4.	821-070CGL	GLOSS BLACK GALLON		



Part Number Index

The Part Number Index is a numeric index of all part numbers included in this manual. The index shows what page(s) the part is used on.

<u>Part Number</u>	<u>Page</u>	<u>Part Number</u>	<u>Page</u>
316-256D	7	Dwg 72525	21
350-237H	7	Dwg 72526	9
350-239A	15	Dwg 72528	15
350-244H	13	N/A	21
350-259H	7		
350-260A	15		
350-267A	19		
350-269A	17		
350-371H	13		
350-373H	7		
350-392H	7		
350-527D	7		
350-548D	7		
502-068D	7		
800-001C	7		
801-108C	7		
802-017C	7, 13		
802-038C	9		
802-059C	13		
802-082C	7		
802-226C	13		
802-282C	7		
803-006C	7		
803-013C	7		
803-019C	13		
803-020C	7, 9		
803-021C	13		
803-177C	7		
804-006C	7		
804-007C	7		
804-013C	7, 13		
804-015C	7, 9		
804-016C	7		
804-021C	13		
804-022C	13		
808-400C	13		
809-239C	13		
809-240C	13		
809-258C	13		
810-715C	9		
811-184C	19		
811-185C	19		
811-411C	9		
818-190C	21		
818-349C	21		
818-402C	21		
818-543C	21		
818-858C	21		
821-070C	23		
821-070CGL	23		
821-070CQT	23		
821-070CTU	23		
822-004C	7		
838-107C	21		
838-293C	21		
848-747C	21		
850-139C	9		
851-947C	17		
851-948C	17		
858-399C	21		
858-772C	21		
858-893C	21		
861-160C	17		
861-163C	19		
861-164C	19		
861-564C	9		
Dwg 72515	7		
Dwg 72517	17		
Dwg 72520	19		
Dwg 72523	13		

This Page Intentionally Left Blank



KUBOTA TRACTOR CORPORATION

1000 Kubota Drive, Grapevine, TX 76051

Telephone: (817) 756-1171

Western Division: 1175 S. Guild Ave., Lodi, CA 95240
Telephone: (209) 334-9910

Central Division: 14855 FAA Blvd., Fort Worth, TX 76155
Telephone: (817) 571-0900

Northern Division: 6300 at One Kubota Way, Groveport, OH 43125
Telephone: (614) 835-1100

Southeast Division: 1025 Northbrook Parkway, Suwanee, GA 30024
Telephone: (770) 995-8855

www.kubota.com
