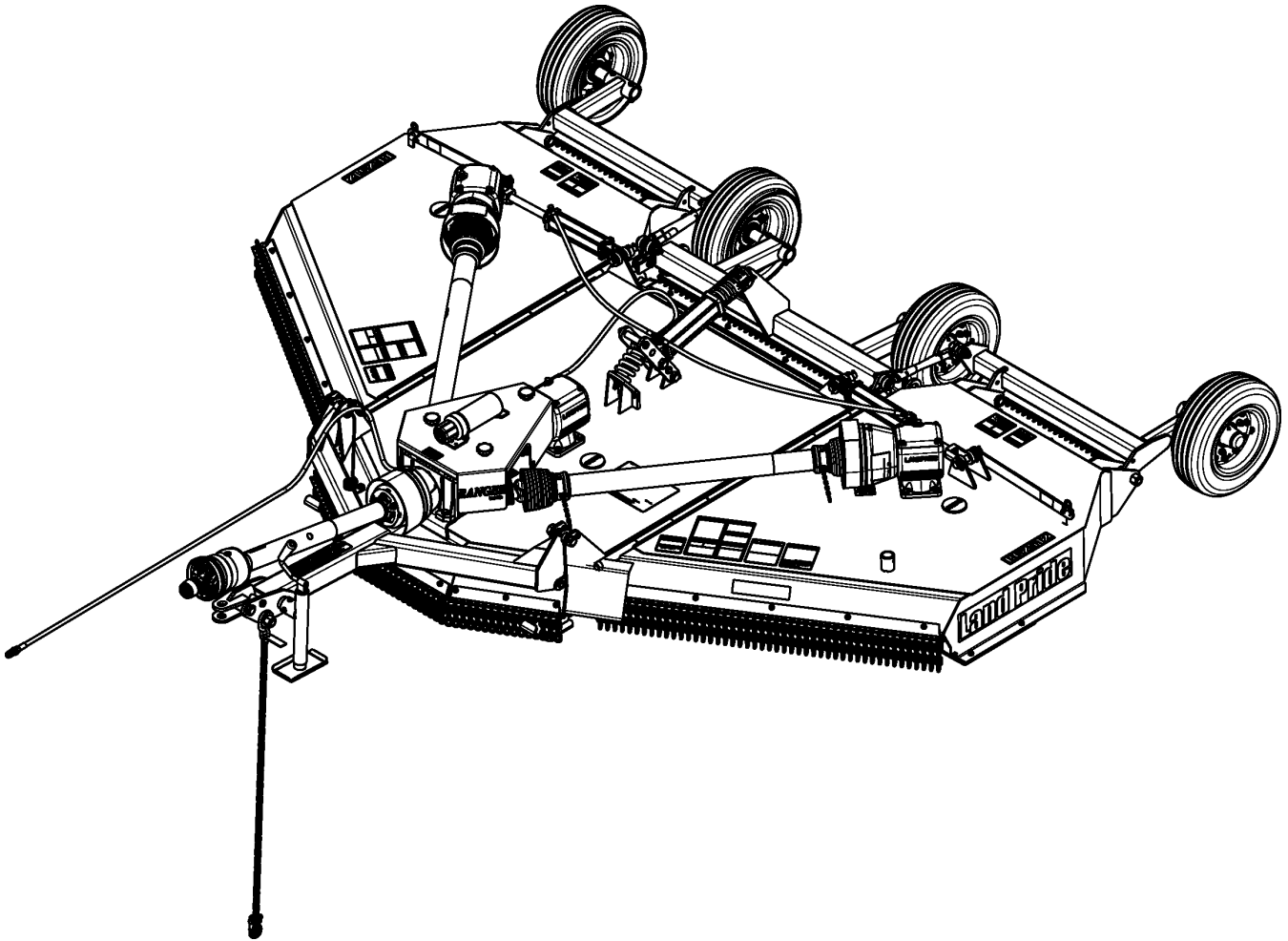


Rotary Cutters

RC2512 S/N 945550- & RC2512 Series 2 S/N 945551+



30649

330-725P Parts Manual



Read the Operator's Manual entirely. When you see this symbol, the subsequent instructions and warnings are serious - follow without exception. Your life and the lives of others depend on it!

© Copyright 2018 Printed 07/10/18

Cover photo may show optional equipment not supplied with standard unit.





Table of Contents

Section 1: Introduction.....	4	Section 8: Decals.....	72
Using This Manual.....	4	Decals S/N 945550-.....	72
Manual Replacement Information.....	4	Decals S/N 945551+.....	74
Manual Revisions.....	4	Land Pride Touch-up Paints.....	76
Touch-up Paint.....	4	Section 9: Options & Accessories.....	78
Hardware Legend.....	5	Dual Remote Plumbing Kit.....	78
Replacement Hardware.....	5	Folding Cutter Lights 2" Retro-Fit (334-575A).....	80
Serial Numbers.....	5	RC2512 Tire Options.....	82
Part Number Service Coding.....	5		
Section 2: Decks & Hitch.....	6	Part Number Index.....	84
Blade Carrier SN 875273-.....	6		
Blade Carrier SN 875274+.....	8		
Deck Center Section S/N 945550-.....	10		
Deck Center Section S/N 945551+.....	12		
Deck Wing Section S/N 945550-.....	14		
Deck Wing Section S/N 945551+.....	16		
Folding Cutter Lights 2".....	18		
Hitch Main Frame S/N 945550-.....	20		
Hitch Main Frame S/N 945551+.....	22		
Leveling Rod & Wing Turnbuckle.....	24		
Section 3: Axles.....	26		
Axle Center.....	26		
Axle Wing.....	28		
Section 4: Guards.....	30		
Guards Chain Single Row Front S/N 945550-.....	30		
Guards Chain Single Row Front S/N 945551+.....	32		
Guards Chain Single Row Rear.....	34		
Section 5: Drivelines (540 RPM).....	36		
Driveline Center (826-665C) S/N 944646-.....	36		
Driveline Center (826-813C) S/N 944647+.....	38		
Driveline CV (826-683C) Weasler.....	40		
Driveline Slip Clutch (398468).....	42		
Driveline Wing (826-667C) S/N 945004-.....	44		
Driveline Wing (826-814C) S/N 945005+.....	46		
Section 6: Gearboxes (540 RPM).....	48		
Gearbox (826-390C) S/N 875273-.....	48		
Gearbox (826-677C) S/N 875273-.....	50		
Gearbox (826-774C) Comer S/N 875274+.....	52		
Gearbox (826-775C) Comer S/N 875274+.....	54		
Gearbox Divider 540 RPM (826-280C) Comer.....	56		
Gearbox Divider 540 RPM (826-280C) SD Engineering.....	58		
Section 7: Hydraulics.....	60		
Hydraulic Cylinder (810-200C) Midway.....	60		
Hydraulic Cylinder (810-200C) Red Lion.....	62		
Hydraulic Cylinder (810-722C).....	64		
Hydraulic Cylinder (810-882C).....	66		
Hydraulic Lift Plumbing Single Remote.....	68		
Spring Mechanism & Wing Locks.....	70		

© Copyright 2018. All rights reserved.

Land Pride provides this publication "as is" without warranty of any kind, either expressed or implied. While every precaution has been taken in the preparation of this manual, Land Pride assumes no responsibility for errors or omissions. Neither is any liability assumed for damages resulting from the use of the information contained herein. Land Pride reserves the right to revise and improve its products as it sees fit. This publication describes the state of this product at the time of its publication, and may not reflect the product in the future. The illustrations in this manual are not intended for safe and proper assembly or disassembly of equipment. The illustrations are intended for ordering parts only.

Land Pride is registered trademark.

All other brands and product names are trademarks or registered trademarks of their respective holders.

Printed in the United States of America.



Alphabetized Table of Contents

A	
Axle Center.....	26
Axle Wing.....	28
B	
Blade Carrier SN 875273-.....	6
Blade Carrier SN 875274+.....	8
D	
Decals S/N 945550-.....	72
Decals S/N 945551+.....	74
Deck Center Section S/N 945550-.....	10
Deck Center Section S/N 945551+.....	12
Deck Wing Section S/N 945550-.....	14
Deck Wing Section S/N 945551+.....	16
Driveline Center (826-665C) S/N 944646-.....	36
Driveline Center (826-813C) S/N 944647+.....	38
Driveline CV (826-683C) Weasler.....	40
Driveline Slip Clutch (398468).....	42
Driveline Wing (826-667C) S/N 945004-.....	44
Driveline Wing (826-814C) S/N 945005+.....	46
Dual Remote Plumbing Kit.....	78
F	
Folding Cutter Lights 2".....	18
Folding Cutter Lights 2" Retro-Fit (334-575A).....	80
G	
Gearbox (826-390C) S/N 875273-.....	48
Gearbox (826-677C) S/N 875273-.....	50
Gearbox (826-774C) Comer S/N 875274+.....	52
Gearbox (826-775C) Comer S/N 875274+.....	54
Gearbox Divider 540 RPM (826-280C) Comer.....	56
Gearbox Divider 540 RPM (826-280C) SD Engineering.....	58
Guards Chain Single Row Front S/N 945550-.....	30
Guards Chain Single Row Front S/N 945551+.....	32
Guards Chain Single Row Rear.....	34
H	
Hitch Main Frame S/N 945550-.....	20
Hitch Main Frame S/N 945551+.....	22
Hydraulic Cylinder (810-200C) Midway.....	60
Hydraulic Cylinder (810-200C) Red Lion.....	62
Hydraulic Cylinder (810-722C).....	64
Hydraulic Cylinder (810-882C).....	66
Hydraulic Lift Plumbing Single Remote.....	68
L	
Land Pride Touch-up Paints.....	76
Leveling Rod & Wing Turnbuckle.....	24
R	
RC2512 Tire Options.....	82
S	
Spring Mechanism & Wing Locks.....	70

General Information

Using This Manual

This manual is divided into sections. The first section contains General Information. The remaining sections divide the machine into segments (i.e. Frames, Drives, Hydraulics, etc.) which illustrate and list all parts. A Parts Number Index is located at the back of the book.

The Land Pride parts in this manual are specially designed for this machine and should be replaced with Land Pride parts only.

The information in this manual is current at time of printing. Some parts may change to assure top performance.

Right-hand and left-hand as used in this manual are determined by facing the direction the machine will travel while in use.

Below is an example of two facing pages from a parts manual. Familiarize yourself with the type of information contained on these pages.

Manual Replacement Information

Replacement manuals are available. Refer to our website at www.landpride.com or e-mail us at lit@landpride.com for additional information. Our website continues to provide the most up-to-date manuals available.

Touch-up Paint

Repaint parts where paint is worn or scratched to prevent rust. Aerosol cans and touch-up bottles with brush applicator are available through your local dealer. Also available are quart and gallon size paints. Add QT or GL to end of the Aerosol P/N.

Land Pride color descriptions and part numbers are listed on the "Land Pride Touch-up Paints" page in the "Decals" section of this book. Color options vary by product.



General Information

Hardware Legend

AR	As Required
BLADE	Blade Bolt
C	Cap Screw
CP	Cotter Pin
CPHSSS	Cup Point Hex Socket Set Screw
CPSHSS	Cup Point Square Head Set Screw
CPSQHSS	Cup Point Square Head Set Screw
CRFCHMS3	Cross Recess Flat Countersunk Head Machine Screw
CRPHMS	Cross Recess Pan Head Machine Screw
CRPHTF	Cross Recess Pan Head Thread Forming
CRRHMS	Cross Recess Round Head Machine Screw
CRTHMS	Cross Recess Truss Head Machine Screw
CSNB	Countersunk Square Neck Bolt
FHMS	Flat Head Machine Screw
FTC	Full Thread Cap Screw
H	Hex Nut
HCLN	Hex Center Lock Nut
HFLCS	Hex Flange Lock Cap Screw
HFS	Hex Flange Screw
HFSLN	Hex Flange Serrated Lock Nut
HFSS	Hex Flange Serrated Screw
HHCS	Hex Head Cap Screw or Metric Bolt
HSBHCS	Hex Socket Button Head Cap Screw
HSFCHCS	Hex Socket Flat Countersunk Head Cap Screw
HSHCS	Hex Socket Head Cap Screw
HSSS	Hex Socket Head Screw
HTLN	Hex Top Lock Nut
HWHCS	Hex Washer Head Cap Screw

HWHMS	Hex Washer Head Machine Screw
HXBHCS	Hex Socket Button Head Cap Screw
J	Hex Jam Nut
JIC	37 Degree Tapered Thread
L	Helical Spring Lock Washer
LUG	Lug Bolt
NFC	National Fine Cap Screw
NPSM	National Pipe Straight Mechanical
NPTF	National Pipe Taper Fuel
P	Wide Plain Washer
PHMS	Pan Head Machine Screw
PLOW	Plow Bolt
RHMS	Round Head Machine Screw
RHSNB	Round Head Square Neck Bolt
SCREW LEVELING	Leveling Screw
SCREW THUMB	Thumb Screw
SCREW WELD	Weld Screw
SFCHMS	Slotted Flat Countersunk Head Machine Screw
SFHMS	Slotted Fillister Head Machine Screw
SP	Special
SP SCREW	Special Screw
SOHSS	Square Head Set Screw
SRHMS	Slotted Round Head Machine Screw
SSS	Socket Set Screw
STCS	Self Tapping Cap Screw
STHMS	Slotted Truss Head Machine Screw
WHEEL	Wheel Studs and Hub Long Bolts
WING	Wing Bolt

Replacement Hardware

The **Hardware Legend** above lists hardware abbreviations used in the parts list. All bolts and nuts are Grade 5 unless otherwise noted. The use of improper grades of hardware can result in personal injury, damage to equipment, or loss of property.

Colored Replacement Parts

Land Pride offers replacement parts in factory standard colors and also on select models in Green, Orange, Red and Blue. Because of the variety of colors available, special attention must be given to the part number to prevent ordering the wrong replacement part.

A suffix number corresponding to one of the colors below must be added at the end of Land Pride's part number when ordering a replacement part with that color.

81 Green 83 Red
82 Orange 84 Blue

For example, if you are ordering a replacement part with part number 555-555C and the part you need is red, then add the suffix 83 to the end of the number to make the part number read 555-555C83. Parts ordered without a suffix number will be supplied in factory standard colors.

Black Replacement Parts

Some parts are factory standard black and some must be special ordered black. If your part is special ordered black, a second part number with the additional suffix number 85 on the end will be available. In this situation you must order that part with the suffix number for it to be black. Parts that are factory standard black will not have the suffix number.

Part Number Service Coding

Within the parts list some part numbers are coded for revisions and interchangeability. See notations in revision column.

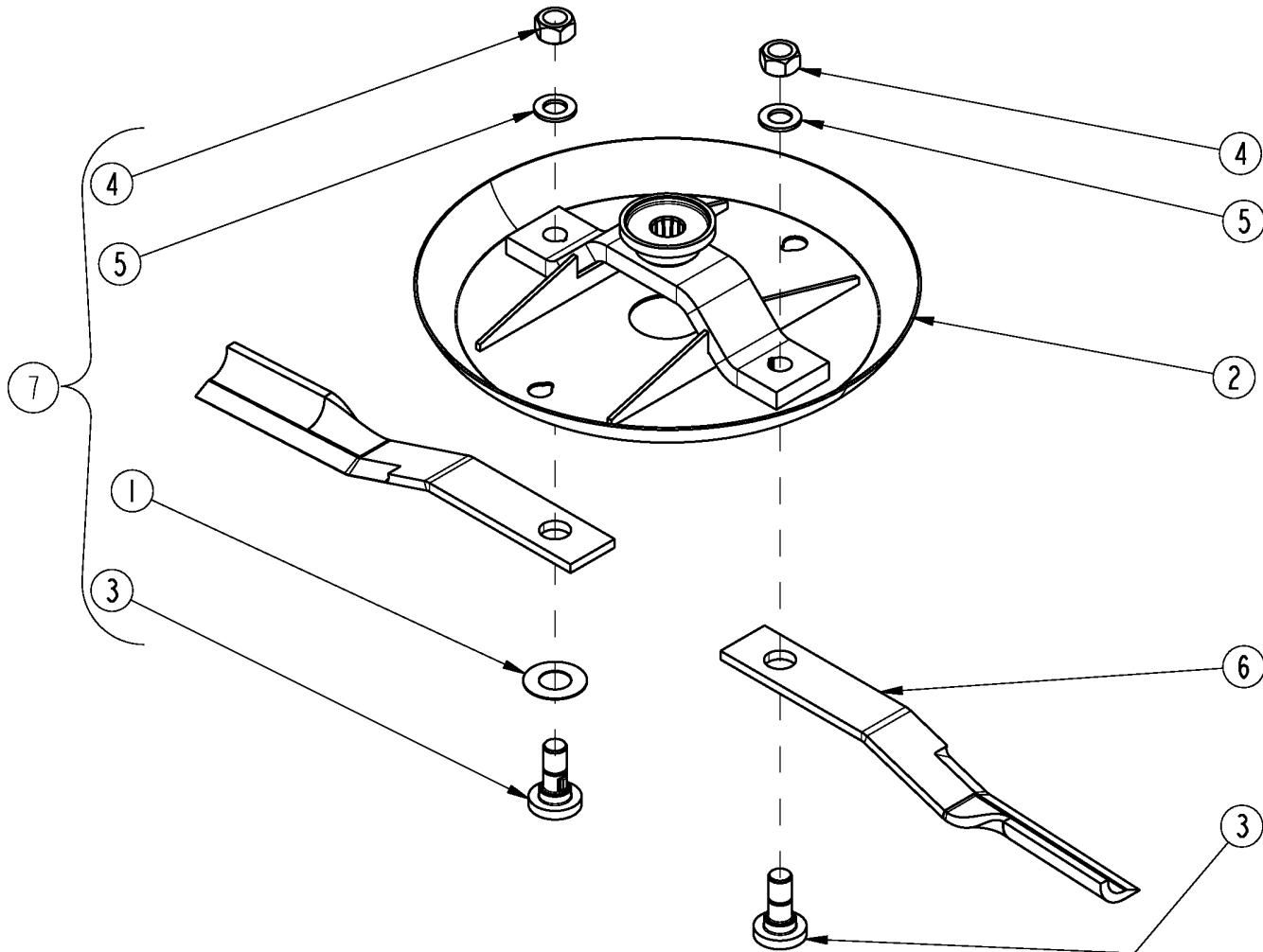
Serial Numbers

Always use the serial and model number when ordering parts. Refer to the Operator's Manual for serial number plate location.

- (S/N 20001+) Includes serial numbers 20001 and above (to the latest number)
- (S/N 10001 to 20000) Includes serial numbers between and including 10001 and 20000
- (S/N 10000-) Includes serial numbers 10000 and below (to the earliest number)

Blade Carrier SN 875273-

Applies to RC2512 S/N 945550-



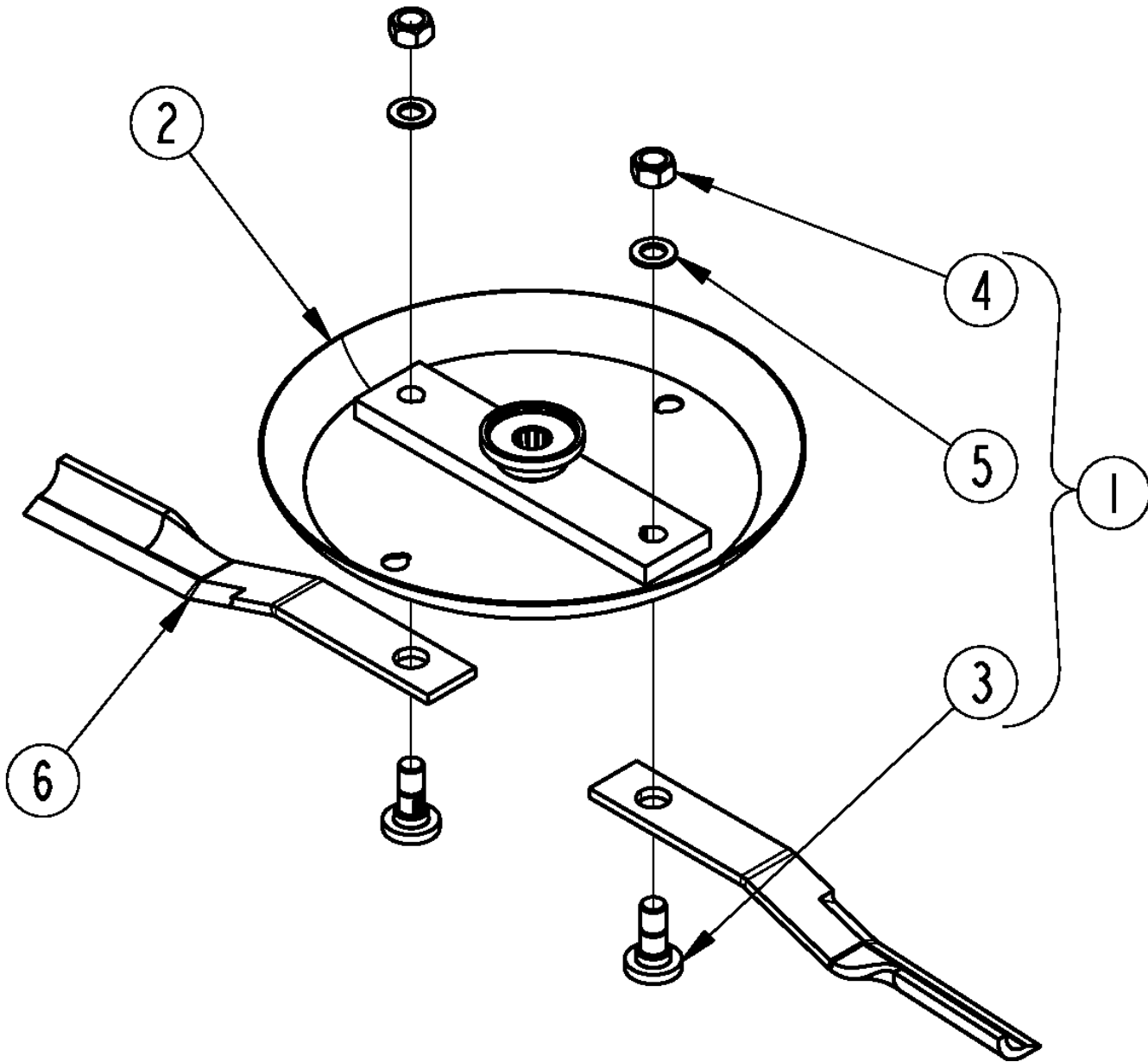
30603

Blade Carrier SN 875273-**Applies to RC2512 S/N 945550-**

Ref	Part No.	Part Description	Comments	Revision
	Dwg 30603	Drawing Image Number		
1.	312-075D	BLADE SPACER 16 GA .064 Thick	As Required S/N 776426-	
2.	330-785H	BLADE CARRIER 15" SM COMER HUB	All Decks S/N 875273-	
3.	802-277C	BLD BLT 1 1/8-12X3.44 W/.25KEY		
4.	803-170C	NUT HEX TOP LOCK 1 1/8-12 PLT.		
5.	804-147C	WASHER FLAT 1" HARDENED		
6.	820-198C	CUTTER BLADE 1/2 X3X25 CCW	Center Deck	
6.	820-437C	CUTTER BLADE CCW 1/2X3X19	Left Deck	
6.	820-438C	CUTTER BLADE CW 1/2X3X19	Right Deck	
7.	318-586A	BLADE BOLT KIT	Service Part	

Blade Carrier SN 875274+

Applies to RC2512 S/N 945550-, RC2512 SERIES 2 S/N 945551+



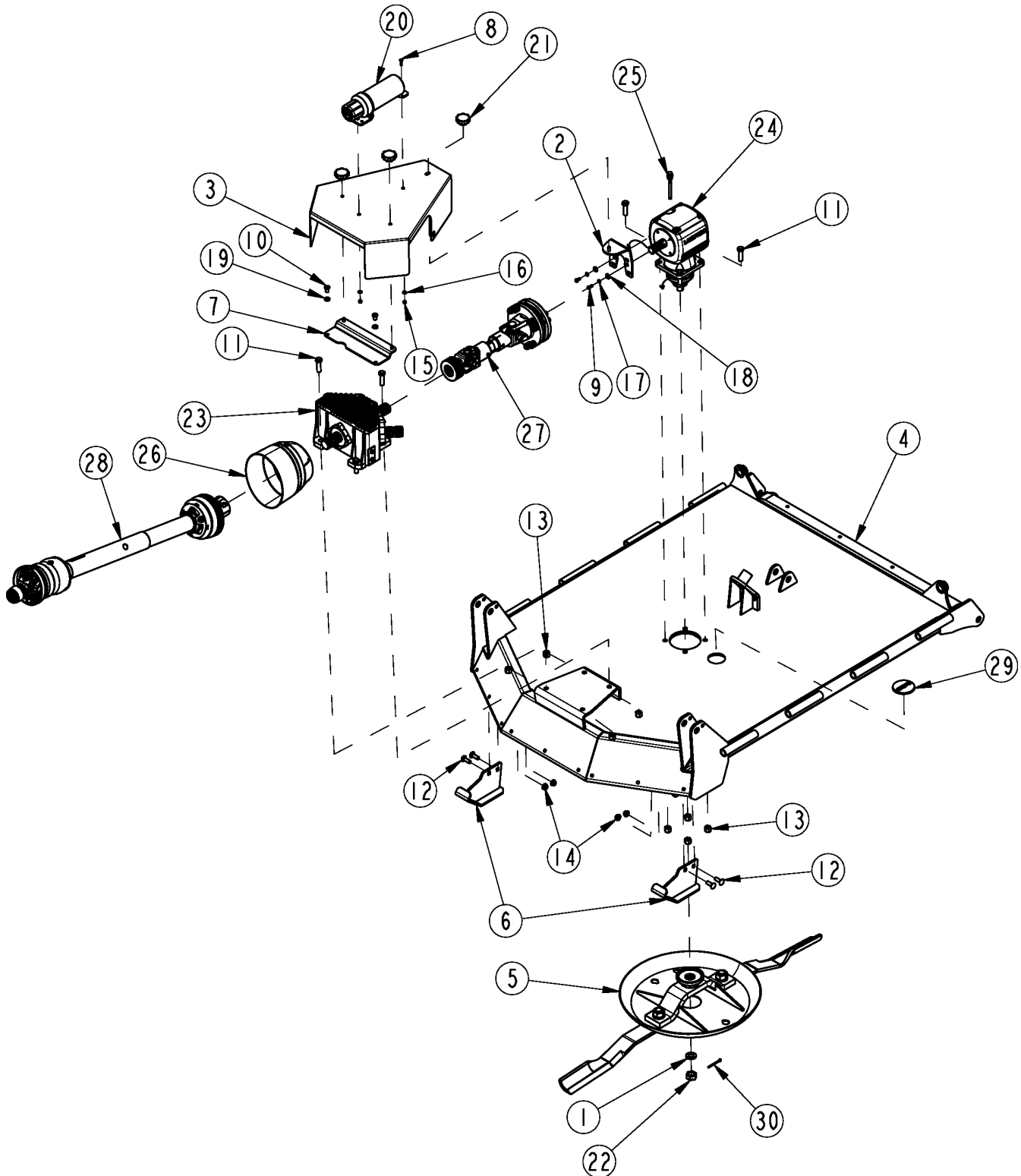
37352

Blade Carrier SN 875274+**Applies to RC2512 S/N 945550-, RC2512 SERIES 2 S/N 945551+**

Ref	Part No.	Part Description	Comments	Revision
	Dwg 37352	Drawing Image Number		
1.	318-586A	BLADE BOLT KIT		
2.	331-068H	DISHPAN 15 CENTERS W/HUB	All Decks S/N 875274+	
3.	802-277C	BLD BLT 1 1/8-12X3.44 W/.25KEY		
4.	803-170C	NUT HEX TOP LOCK 1 1/8-12 PLT		
5.	804-147C	WASHER FLAT 1" HARDENED		
6.	820-198C	CUTTER BLADE 1/2X3X25 CCW	Center Deck S/N 875274+	
6.	820-437C	CUTTER BLADE 1/2X3X19 CCW	Left Deck S/N 875274+	
6.	820-438C	CUTTER BLADE 1/2X3X19 CW	Right Deck S/N 875274+	

Deck Center Section S/N 945550-

Applies to RC2512 S/N 945550-



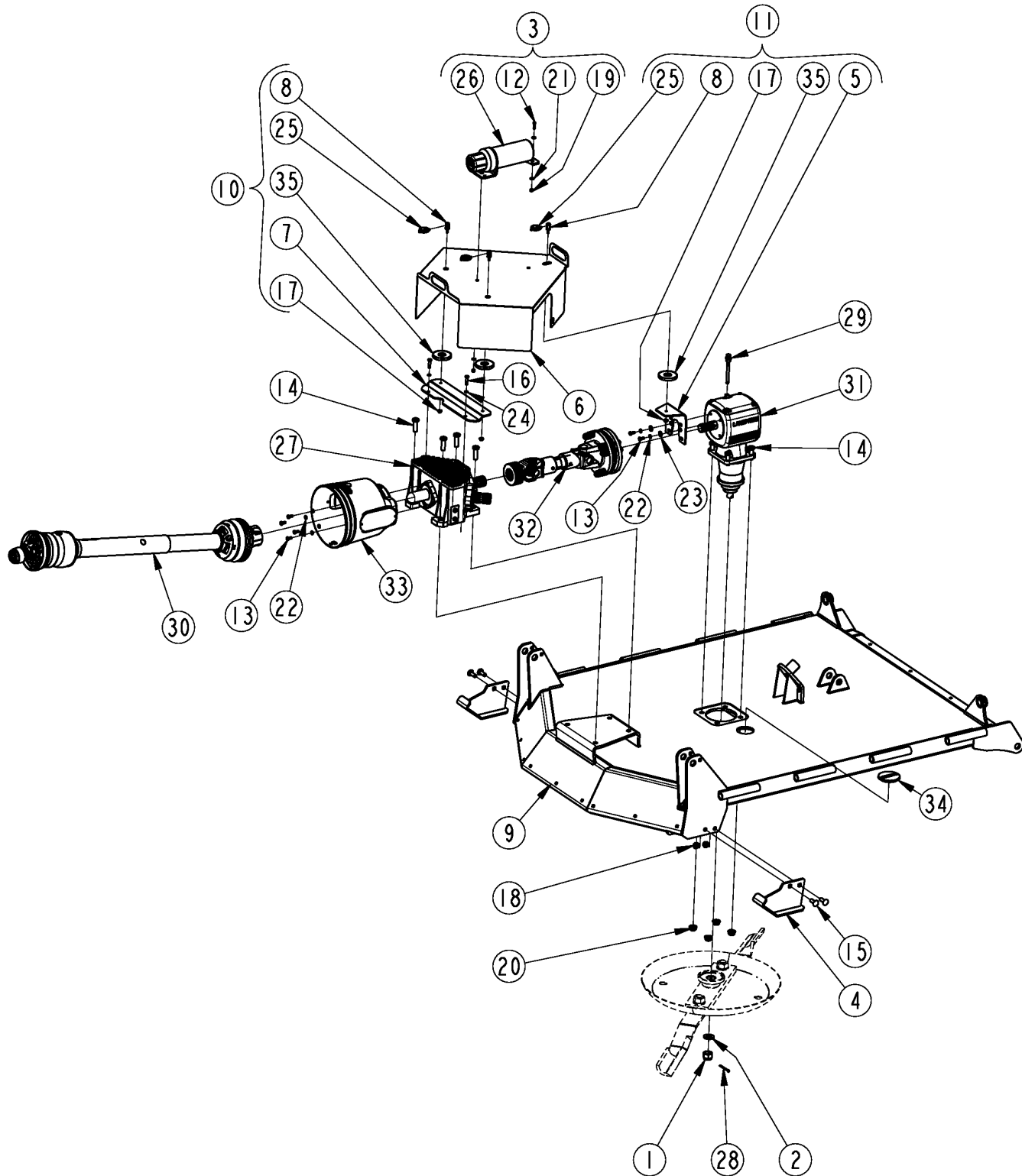
30605

Deck Center Section S/N 945550-**Applies to RC2512 S/N 945550-**

Ref	Part No.	Part Description	Comments	Revision
	Dwg 30605	Drawing Image Number		
1.	8.3.2.00409	CO FLAT WASHER 25 X 44 X 4		
2.	318-401H	SHIELD BRACKET WELDMENT		
3.	330-316D	GUARD		
4.	330-674H	DECK, CENTER		
4.	330-674H81	DECK, CENTER GREEN		
4.	330-674H82	DECK, CENTER ORANGE		
4.	330-674H83	DECK, CENTER RED		
5.		SEE BLADE CARRIER FOR COMPONENTS		
6.	330-697H	SKID SHOE		
7.	330-778H	BRACKET, SPLITTER SHIELD		
8.	802-005C	HHCS 1/4-20X1 GR5		
9.	802-007C	HHCS 5/16-18X3/4 GR5		
10.	802-032C	HHCS 1/2-13X3/4 GR5		
11.	802-057C	HHCS 5/8-11X2 1/4 GR5		
12.	802-106C	RHSNB 1/2-13X1 1/2 GR5		
13.	803-263C	NUT HEX FLANGE LOCK 5/8-11 PLT	S/N 891773+	
13.	803-148C	NUT HEX NYLOCK 5/8-11 PLT	S/N 891772-	
14.	803-169C	NUT HEX FLG LOCK 1/2-13 PLT		
15.	803-255C	NUT HEX NYLOCK 1/4-20		
16.	804-007C	WASHER FLAT 1/4 SAE PLT		
17.	804-009C	WASHER LOCK SPRING 5/16 PLT		
18.	804-010C	WASHER FLAT 5/16 USS PLT		
19.	804-015C	WASHER LOCK SPRING 1/2 PLT		
20.	816-481C	MANUAL STORAGE CONTAINER		
21.	817-259C	KNOB 3/8-16 FEMALE THD 2 3/8OD		
22.	8.2.2.00515	CO NUT, CASTLE M24 X 2		
23.	826-280C	DIV. OMNI/CO 540RPM SU	Old Casting S/N 891865- New Casting S/N 891866+	
24.	826-774C	GBOX RC25 1.38-6 1:1.92 STD	S/N 875274+	
24.	826-390C	GBOX RC25 1.38-6 1:1.93 STD.	S/N 875273-	
25.	826-491C	COMER U0.209.7101.00 DIPSTICK		
26.	826-519C	SMALL SHAFT CONE W/ACCESS DOOR		
27.	826-665C	RPBY 826-813C	Obsolete	
28.	826-683C	PTO CV 540 NO CLUTCH		
29.	840-273C	PLUG LP 3" ID RUBBER		
30.	826-487C	COMER 8.4.7.00516 COTTER		

Deck Center Section S/N 945551+

Applies to RC2512 SERIES 2 S/N 945551+



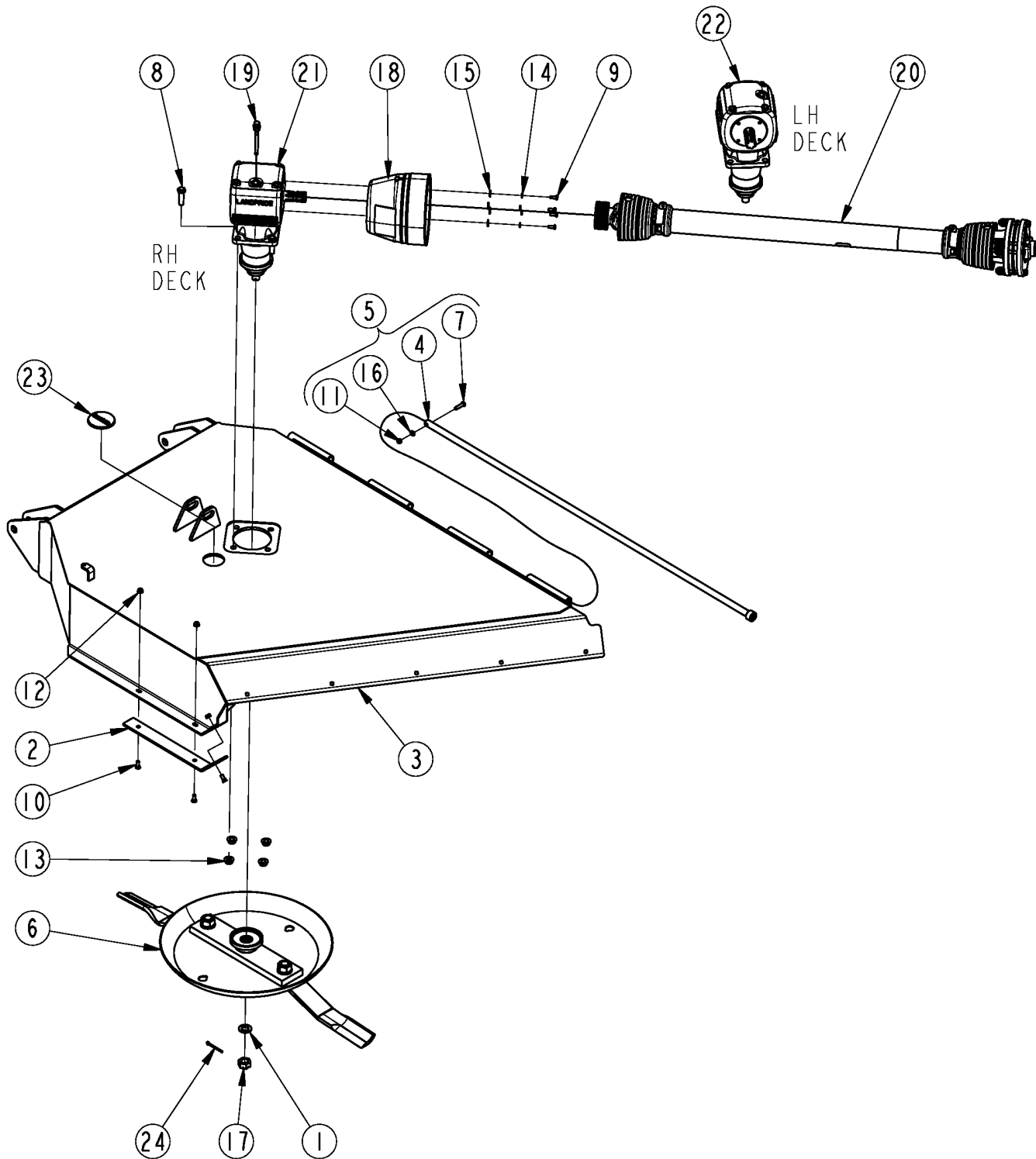
37484

Deck Center Section S/N 945551+**Applies to RC2512 SERIES 2 S/N 945551+**

Ref	Part No.	Part Description	Comments	Revision
	Dwg 37484	Image No.		
1.	82200515	CO NUT, CASTLE M24 X 2		
2.	83200409	RPBY 8.3.2.00409		
3.	318-920S	MANUAL STORAGE CONTAINER KIT		
4.	330-697H	SKID SHOE		
5.	331-352D	GUARD MOUNT CENTER GB		
6.	331-353D	GUARD CENTER 12'		
7.	331-355D	GUARD MOUNT SPLITTER		
8.	331-370D	PIN STOP LATCH		
9.	331-837H	DECK, CENTER	Beige	
9.	331-837H81	DECK, CENTER GREEN	Green	
9.	331-837H82	DECK, CENTER ORANGE	Orange	
9.	331-837H83	DECK, CENTER RED	Red	
10.	331-921S	DIV MNT BRCKT W/MAGNETS & CLIP		
11.	331-922S	CNTR MNT BRCKT W/MAGNET & CLIP		
12.	802-005C	HHCS 1/4-20X1 GR5		
13.	802-007C	HHCS 5/16-18X3/4 GR5		
14.	802-055C	HHCS 5/8-11X2 GR5		
15.	802-106C	RHSNB 1/2-13X1 1/2 GR5		
16.	802-967C	HHCS M8X1.25X35 GR8.8		
16.	802-032C	HHCS 1/2-13X3/4 GR5	Replaced with 802-967C and lock washer 804-157C	
17.	803-088C	NUT HEX LOCK 1/4-20 FLG		
18.	803-169C	NUT HEX FLG LOCK 1/2-13 PLT		
19.	803-255C	NUT HEX NYLOCK 1/4-20		
20.	803-263C	NUT HEX FLANGE LOCK 5/8-11 PLT		
21.	804-007C	WASHER FLAT 1/4 SAE PLT		
22.	804-009C	WASHER LOCK SPRING 5/16 PLT		
23.	804-010C	WASHER FLAT 5/16 USS PLT		
24.	804-157C	WASHER SPRING LOCK M8 PLT		
25.	805-126C	PIN LINCH 1/4 X 1 3/4 PLT		
26.	816-481C	MANUAL STORAGE CONTAINER		
27.	826-280C	DIV. SD/CO 540RPM SU		
28.	826-487C	COMER 8.4.7.00516 COTTER		
29.	826-491C	COMER U0.209.7101.00 DIPSTICK		
30.	826-683C	PTO CV 540 NO CLUTCH		
31.	826-774C	GBOX RC25 1.38-6 1:1.92 STD		
32.	826-813C	DRIVELINE, CENTER W/ CLUTCH		
33.	837-101C	LAND PRIDE CONE		
33.	826-519C	SMALL SHAFT CONE W/ACCESS DOOR	Replaced with 837-101C	
34.	840-273C	PLUG LP 3" ID RUBBER		
35.	891-282C	MAGNET, 3 3/16 OD X 57LB		

Deck Wing Section S/N 945550-

Applies to RC2512 S/N 945550-



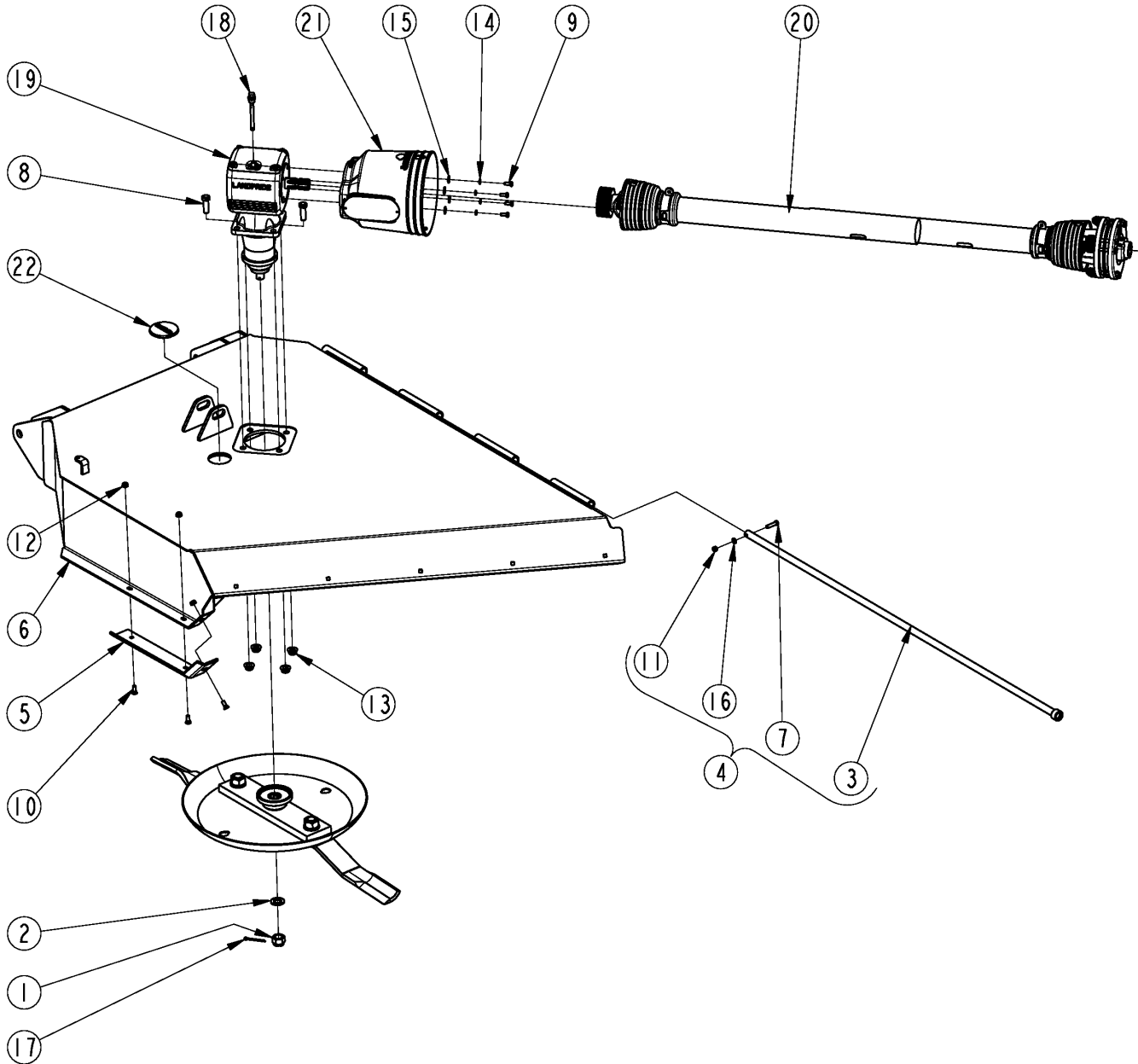
30606

Deck Wing Section S/N 945550-**Applies to RC2512 S/N 945550-**

Ref	Part No.	Part Description	Comments	Revision
	Dwg 30606	Drawing Image Number		
1.	8.3.2.00409	CO FLAT WASHER 25 X 44 X 4		
2.	312-602D	SKID SHOE		
3.	330-675H	DECK, WING RH		
3.	330-675H81	DECK, WING RH GREEN		
3.	330-675H82	DECK, WING RH ORANGE		
3.	330-675H83	DECK, WING RH RED		
3.	330-676H	DECK, WING LH		
3.	330-676H81	DECK, WING LH GREEN		
3.	330-676H82	DECK, WING LH ORANGE		
3.	330-676H83	DECK, WING LH RED		
4.	330-698H	HINGE ROD		
5.	330-723L	ASSY HINGE ROD		
6.		SEE BLADE CARRIER FOR COMPONENTS		
7.	802-022C	HHCS 3/8-16X1 1/2 GR5		
8.	802-057C	HHCS 5/8-11X2 1/4 GR5		
9.	802-314C	HHCS M8X1.25X20 GR8.8		
10.	802-603C	PLOW 3/8-16X1 GR5		
11.	803-014C	NUT HEX 3/8-16 PLT		
12.	803-198C	NUT HEX WHIZ 3/8-16 PLT		
13.	803-263C	NUT HEX FLANGE LOCK 5/8-11 PLT	S/N 891773+	
13.	803-148C	NUT HEX NYLOCK 5/8-11 PLT	S/N 891772-	
14.	804-009C	WASHER LOCK SPRING 5/16 PLT		
15.	804-010C	WASHER FLAT 5/16 USS PLT		
16.	804-013C	WASHER LOCK SPRING 3/8 PLT		
17.	8.2.2.00515	CO NUT, CASTLE M24 X 2		
18.	826-240C	SMALL SHAFT CONE W ACCESS DOOR		
19.	826-497C	COMER VENT #8.6.7.00269		
20.	826-667C	DRIVELINE, WING W/ CLUTCH		
21.	826-774C	GBOX RC25 1.38-6 1:1.92 STD	RH Deck S/N 875274+	
21.	826-390C	GBOX RC25 1.38-6 1:1.93 STD.	RH Deck S/N 875273-	
22.	826-775C	GBOX RC25 1.38-6 1:1.92 REV	LH Deck S/N 875274+	
22.	826-677C	GBOX RC25 1.38-6 1:1.93 REV	LH Deck S/N 875273-	
23.	840-273C	PLUG LP 3" ID RUBBER		
24.	826-487C	COMER 8.4.7.00516 COTTER		

Deck Wing Section S/N 945551+

Applies to RC2512 SERIES 2 S/N 945551+



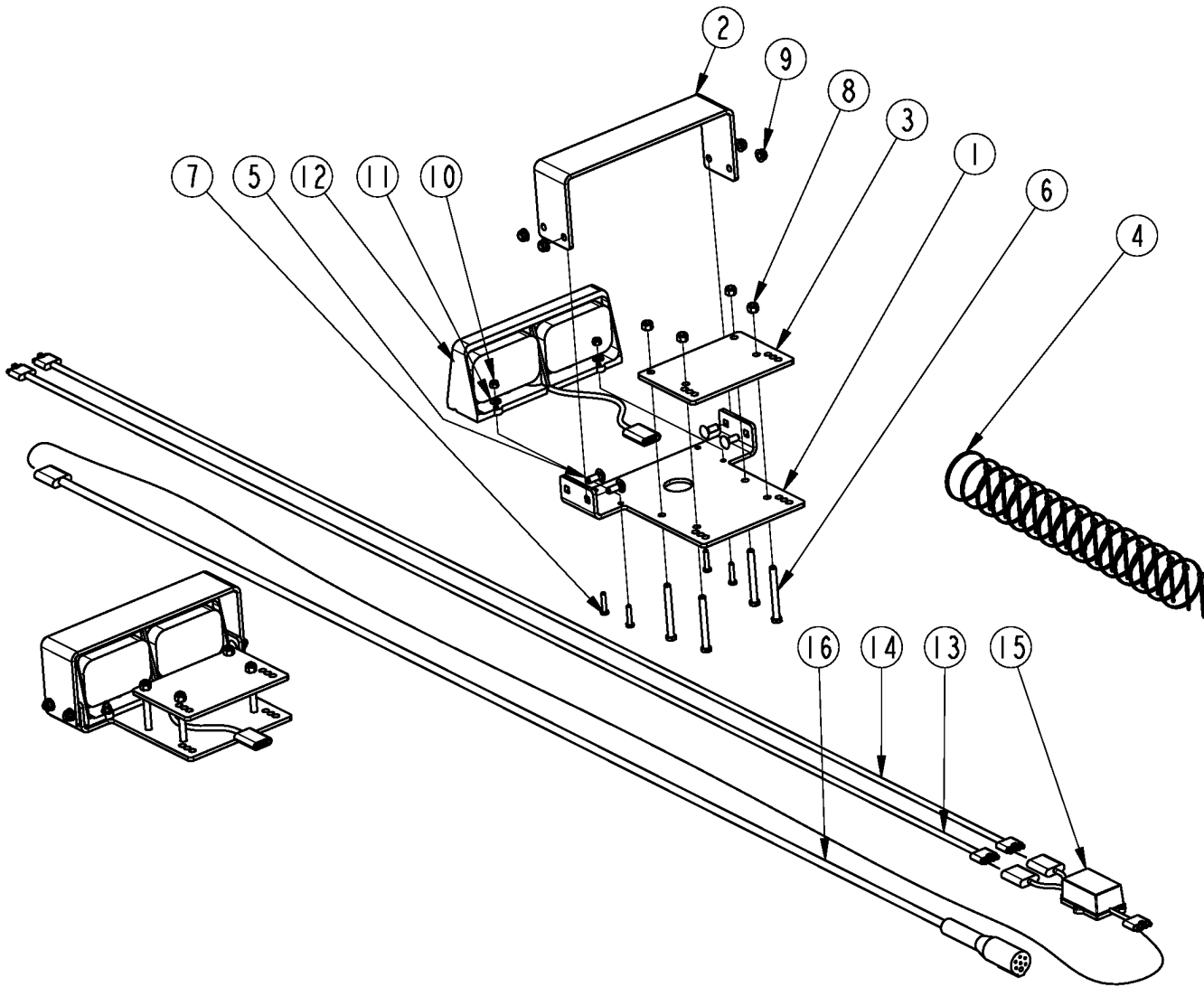
37490

Deck Wing Section S/N 945551+**Applies to RC2512 SERIES 2 S/N 945551+**

Ref	Part No.	Part Description	Comments	Revision
	Dwg 37490	Image No.		
1.	8.2.2.00515	CO NUT, CASTLE M24 X 2		
2.	8.3.2.00409	CO FLAT WASHER 25 X 44 X 4		
3.	330-698H	HINGE ROD		
4.	330-723L	ASSY HINGE ROD		
5.	331-347D	SKID SHOE RH		
5.	331-348D	SKID SHOE LH		
6.	331-845H	DECK, WING RH		
6.	331-845H81	DECK, WING RH GREEN	Green	
6.	331-845H82	DECK, WING RH ORANGE	Orange	
6.	331-845H83	DECK, WING RH RED	Red	
6.	331-843H	DECK, WING LH		
6.	331-843H81	DECK, WING LH GREEN	Green	
6.	331-843H82	DECK, WING LH ORANGE	Orange	
6.	331-843H83	DECK, WING LH RED	Red	
7.	802-022C	HHCS 3/8-16X1 1/2 GR5		
8.	802-055C	HHCS 5/8-11X2 GR5		
9.	802-314C	HHCS M8X1.25X20 GR8.8		
10.	802-603C	PLOW 3/8-16X1 GR5		
11.	803-014C	NUT HEX 3/8-16 PLT		
12.	803-198C	NUT HEX WHIZ 3/8-16 PLT		
13.	803-263C	NUT HEX FLANGE LOCK 5/8-11 PLT		
14.	804-009C	WASHER LOCK SPRING 5/16 PLT		
15.	804-010C	WASHER FLAT 5/16 USS PLT		
16.	804-013C	WASHER LOCK SPRING 3/8 PLT		
17.	826-487C	COMER 8.4.7.00516 COTTER		
18.	826-491C	COMER U0.209.7101.00 DIPSTICK		
19.	826-774C	GBOX RC25 1.38-6 1:1.92 STD	RH wing	
19.	826-775C	GBOX RC25 1.38-6 1:1.92 REV	LH wing	
20.	826-814C	DRIVELINE, WING W/ CLUTCH		
21.	837-101C	LAND PRIDE CONE		
21.	826-240C	SMALL SHAFT CONE W ACCESS DOOR	Replaced with 837-101C	
22.	840-273C	PLUG LP 3" ID RUBBER		

Folding Cutter Lights 2"

Applies to RC2512 SERIES 2 S/N 945551+

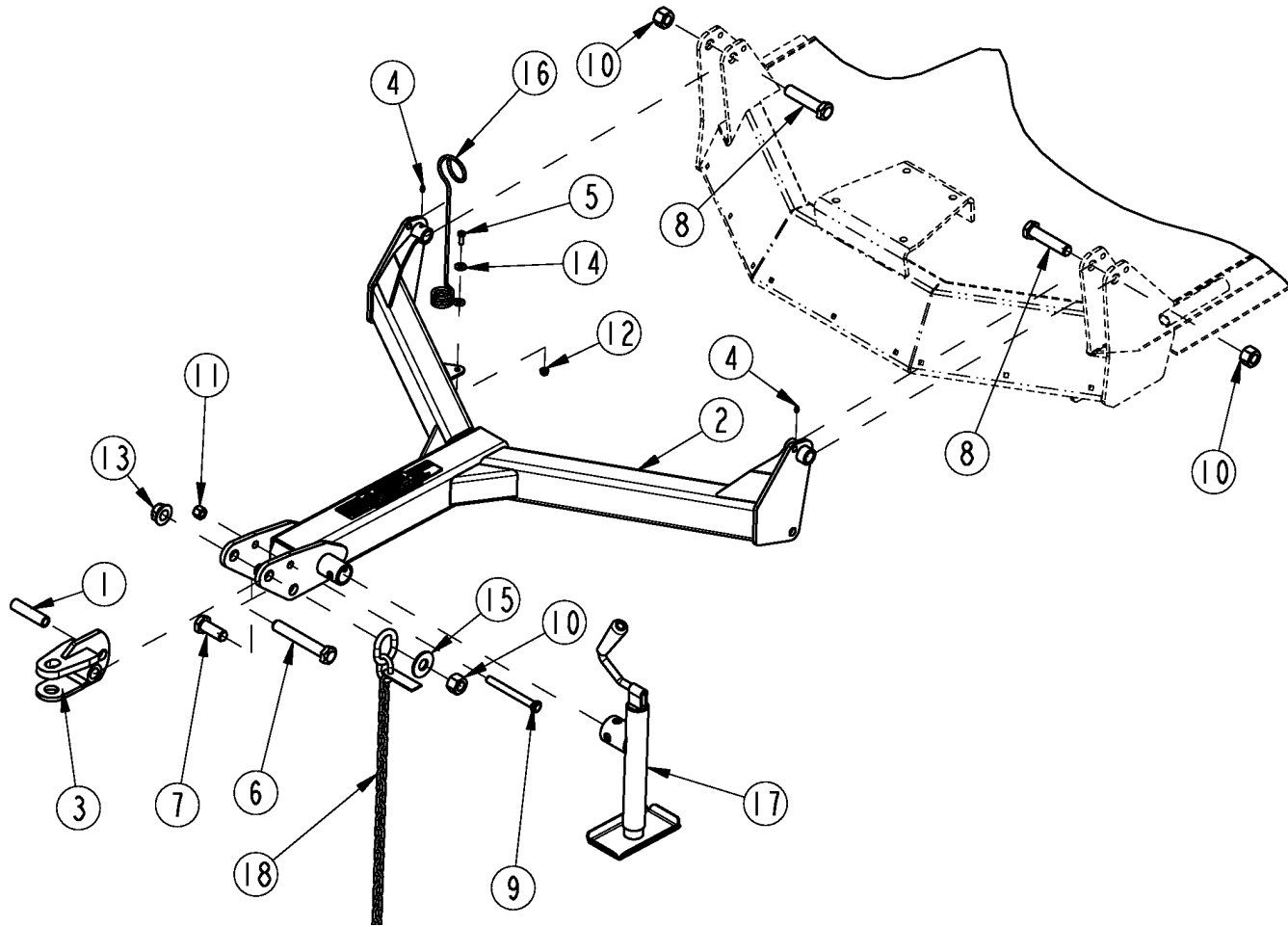


Folding Cutter Lights 2"**Applies to RC2512 SERIES 2 S/N 945551+**

Ref	Part No.	Part Description	Comments	Revision
	Dwg 37521	Image No.		
	334-442L	FOLDING CUTTER LIGHT KIT 2"	S/N 1150618+ Lights are now standardrd	
	331-470A	FOLDING CUTTER LIGHT KIT 2" *	S/N 1150617- Lights were optional	
1.	330-965D	LIGHT MNT		
2.	330-966D	LIGHT GUARD		
3.	330-967D	LIGHT MNT CLAMP		
4.	800-060C	CABLE TIE .19X14.25 3DIA 50LB		
5.	802-015C	RHSNB 3/8-16X1 GR5		
6.	802-147C	HHCS 3/8-16X3 1/2 GR5		
7.	802-224C	HHCS 1/4-20X1 1/4 GR5		
8.	803-078C	NUT LOCK 3/8-16 NYLON INSERT		
9.	803-209C	NUT FLANGE LOCK 3/8-16 PLT		
10.	803-255C	NUT HEX NYLOCK 1/4-20		
11.	804-007C	WASHER FLAT 1/4 SAE PLT		
12.	891-522C	DUAL LED LIGHT LH	Complete light assembly	
12.	J-37-R	RED LED LENS MODULE	Red lens	
12.	J-37-A	AMBER LED LENS MODULE	Amber lens	
12.	J-AC1-15-B	BLACK LENS COVER	Black lens	
12.	891-523C	DUAL LED LIGHT RH	Complete light assembly	
12.	J-37-R	RED LED LENS MODULE	Red lens	
12.	J-37-A	AMBER LED LENS MODULE	Amber lens	
12.	J-AC1-15-B	BLACK LENS COVER	Black lens	
13.	891-529C	LIGHT WIRE HARNESS 8'		
14.	891-530C	RPBY 891-529C	Obsolete	
15.	891-531C	ENHANCE MODULE		
16.	891-532C	LEAD WIRE HARNESS 8'		

Hitch Main Frame S/N 945550-

Applies to RC2512 S/N 945550-



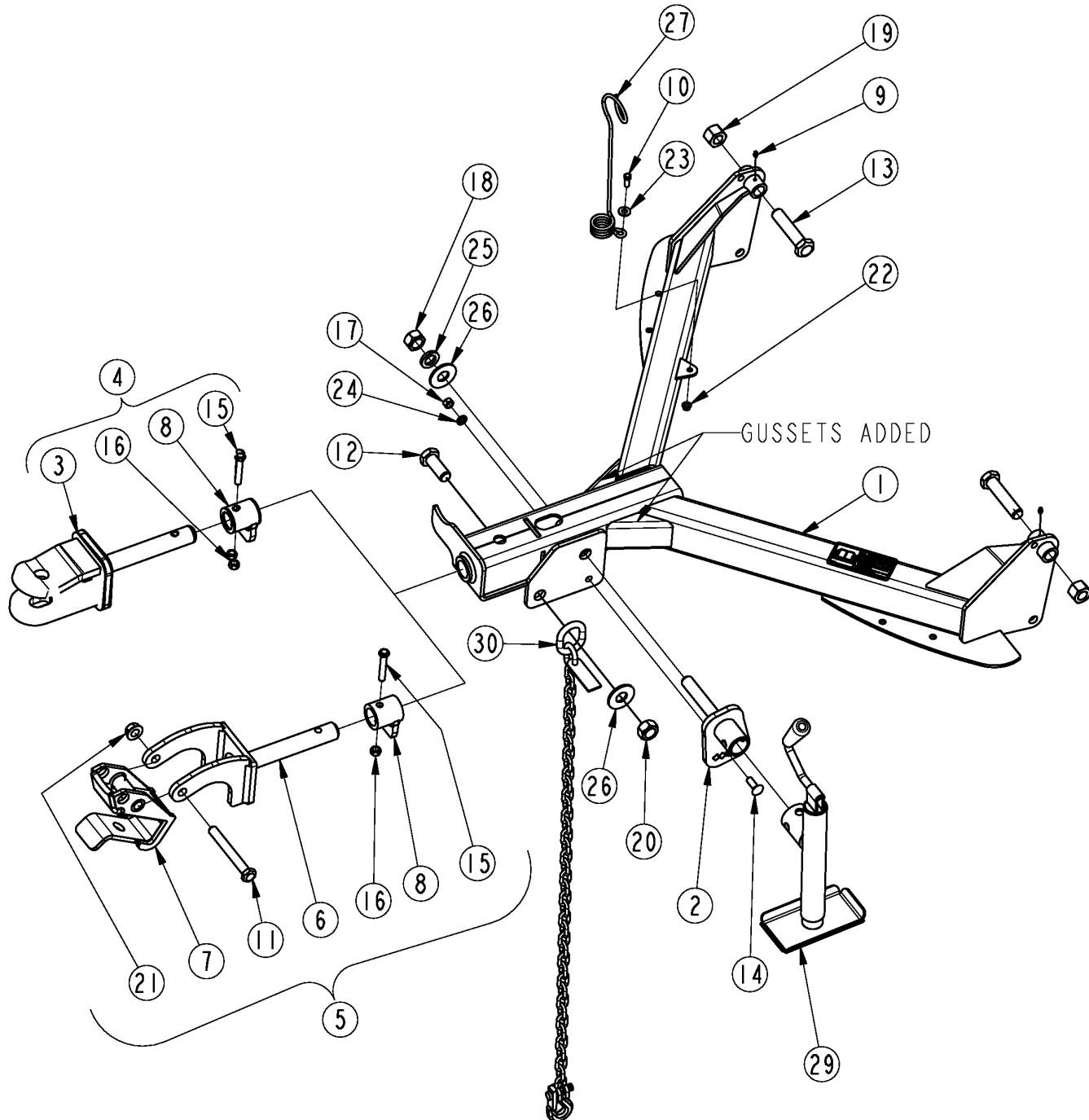
30608

Hitch Main Frame S/N 945550-**Applies to RC2512 S/N 945550-**

Ref	Part No.	Part Description	Comments	Revision
	Dwg 30608	Drawing Image Number		
1.	330-311D	SPACER HITCH		
2.	330-691H	FRAME HITCH		
3.	331-465H	CLEVIS WELDMENT	S/N 861880+	
3.	330-705H	RPBY 331-465H	S/N 861879-	
4.	800-001C	GREASE ZERK STRAIGHT 1/4-28	S/N 945005+	
4.	800-080C	GREASE ZERK 1/4-28 THD FORMING	S/N 945004-	
5.	802-017C	HHCS 3/8-16X1 GR5		
6.	802-074C	HHCS 1-8X6 1/2 GR5		
7.	802-096C	HHCS 1-8X2 1/2 GR5		
8.	802-098C	HHCS 1-8X4 1/2 GR5		
9.	802-116C	HHCS 5/8-11X6 GR5		
10.	803-038C	NUT HEX 1-8 NYLON INSERT PLT		
11.	803-148C	NUT HEX NYLOCK 5/8-11 PLT		
12.	803-209C	NUT FLANGE LOCK 3/8-16 PLT		
13.	803-258C	NUT HEX FLG LOCK 1-8 GR B PLT		
14.	804-011C	WASHER FLAT 3/8 USS PLT		
15.	804-028C	WASHER FLAT 1 USS PLT		
16.	807-023C	SPRING HOSE LOOP		
17.	890-118C	SCREW JACK 2000# 14-24 TOP-WND		
18.	891-246C	AG SAFETY CHAIN 6400 LB	S/N 688691+	
18.	890-182C	SAFETY CHAIN 10000 LB	S/N 688690-	

Hitch Main Frame S/N 94551+

Applies to RC2512 SERIES 2 S/N 94551+



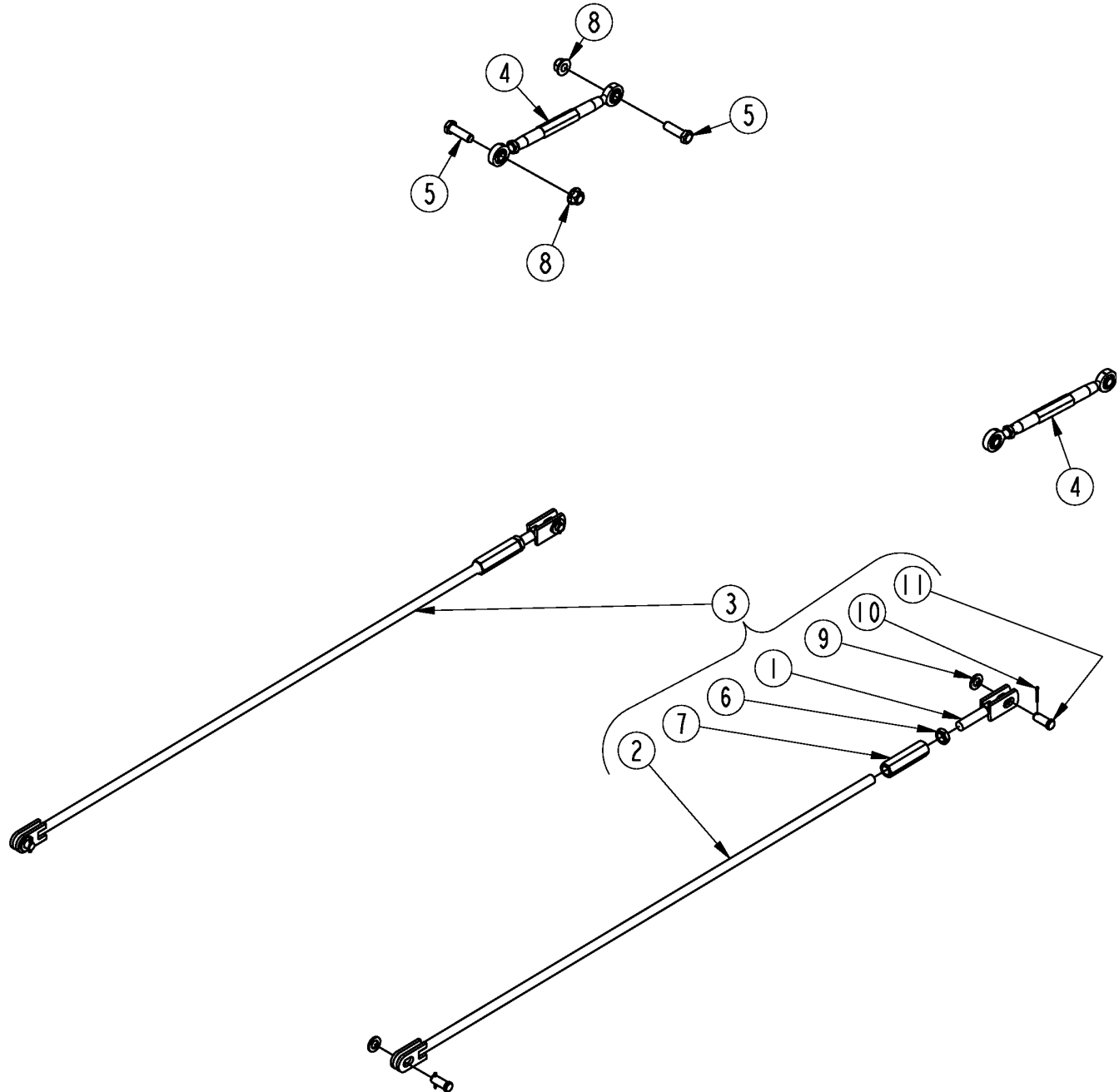
37485

Hitch Main Frame S/N 945551+**Applies to RC2512 SERIES 2 S/N 945551+**

Ref	Part No.	Part Description	Comments	Revision
	Dwg 37485	Image No.		
1.	331-839H	FRAME HITCH		
2.	331-885H	ADJUSTABLE JACK MOUNT LG BLT		
3.	334-004H	SWIVEL CLEVIS STRAIGHT		
4.	334-006A	SWIVEL CLEVIS		
5.	334-007A	HITCH SELF LEVELING		
6.	334-049H	HITCH SELF LEVELING 1.5D SHFT		
7.	334-050H	HITCH CLEVIS SELF LEVELING		
8.	334-066H	BSHG HITCH LOCK/STOP 1.56 ID		
9.	800-001C	GREASE ZERK STRAIGHT 1/4-28	S/N 945005+	
9.	800-080C	GREASE ZERK 1/4-28 THD FORMING	S/N 945004-	
10.	802-017C	HHCS 3/8-16X1 GR5		
11.	802-070C	HHCS 3/4 - 10X6 GR5		
12.	802-096C	HHCS 1-8X2 1/2 GR5		
13.	802-098C	HHCS 1-8X4 1/2 GR5		
14.	802-106C	RHSNB 1/2-13X1 1/2 GR5		
15.	802-365C	HHCS 1/2-13X3 GR8		
16.	803-019C	NUT LOCK 1/2-13 PLT		
17.	803-020C	NUT HEX 1/2-13 PLT		
18.	803-031C	NUT HEX 1-8 PLT		
19.	803-038C	NUT HEX 1-8 NYLON INSERT PLT		
20.	803-168C	NUT HEX TOP LOCK 1-8 PLT		
21.	803-181C	NUT HEX FLANGE LOCK 3/4 - 10 PLT		
22.	803-209C	NUT FLANGE LOCK 3/8-16 PLT		
23.	804-011C	WASHER FLAT 3/8 USS PLT		
24.	804-015C	WASHER LOCK SPRING 1/2 PLT		
25.	804-027C	WASHER LOCK SPRING 1 PLT		
26.	804-028C	WASHER FLAT 1 USS PLT		
27.	807-023C	SPRING HOSE LOOP		
28.	890-118C	SCREW JACK 2000# 14-24 TOP-WND		
29.	891-246C	AG SAFETY CHAIN 6400 LB		
		*		
		Gussets added at S/N 1315120+		

Leveling Rod & Wing Turnbuckle

Applies to RC2512 S/N 945550-, RC2512 SERIES 2 S/N 945551+



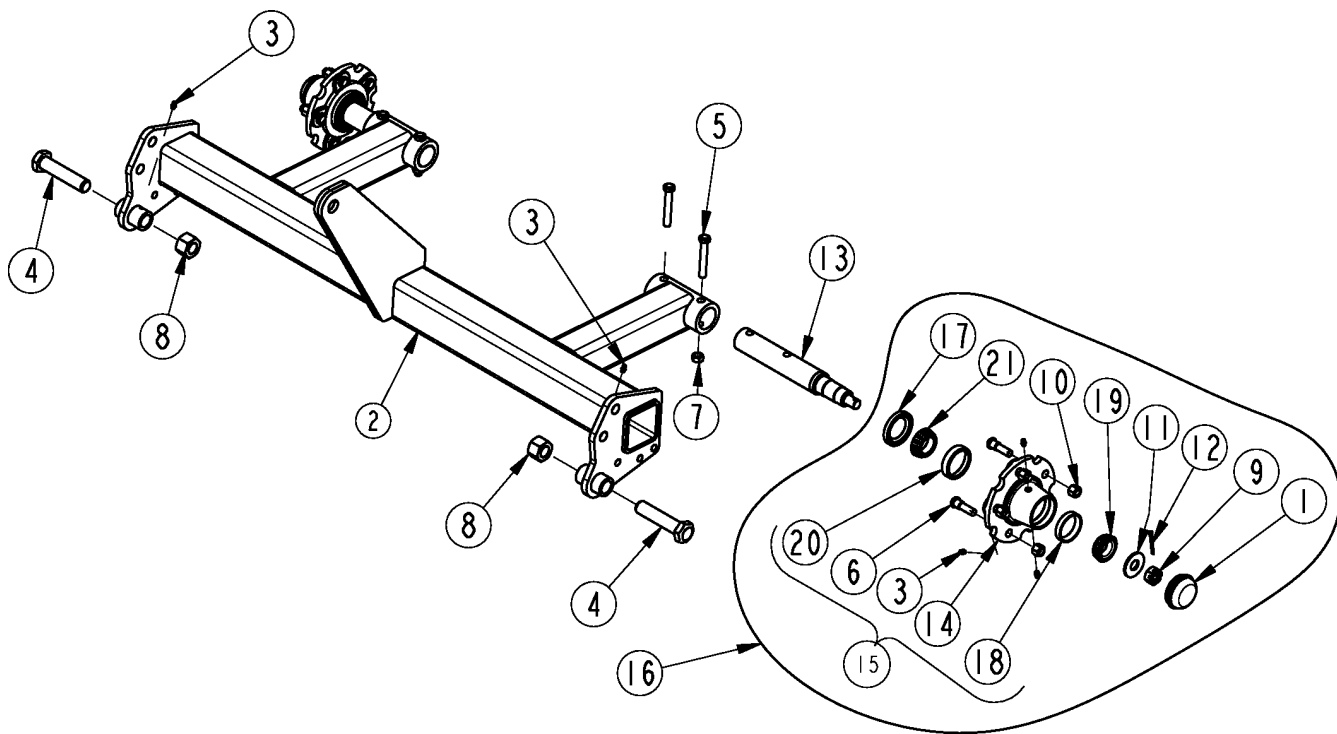
30611

Leveling Rod & Wing Turnbuckle**Applies to RC2512 S/N 945550-, RC2512 SERIES 2 S/N 945551+**

Ref	Part No.	Part Description	Comments	Revision
	Dwg 30611	Drawing Image Number		
1.	318-008H	WLDMT. LEVEL ROD SHORT		
2.	330-706H	WLDMT LEVEL ROD LONG		
3.	330-707K	ASSY LEVEL ROD		
4.	330-736S	TURNBUCKLE ASY, 3/4 BORE		
5.	802-212C	HHCS 3/4-10X2 1/2 GR5		
6.	803-075C	NUT HEX JAM 7/8-9		
7.	803-265C	NUT HEX COUPLER 7/8-9 x 5		
8.	803-299C	NUT HEX FLG TOP LK 3/4-10 PLT		
9.	804-025C	WASHER FLAT 3/4 SAE PLT		
10.	805-045C	PIN COTTER 5/32 X 1 1/4 LG		
11.	805-083C	PIN CLEVIS 3/4 X 1 1/2		

Axle Center

Applies to RC2512 S/N 945550-, RC2512 SERIES 2 S/N 945551+



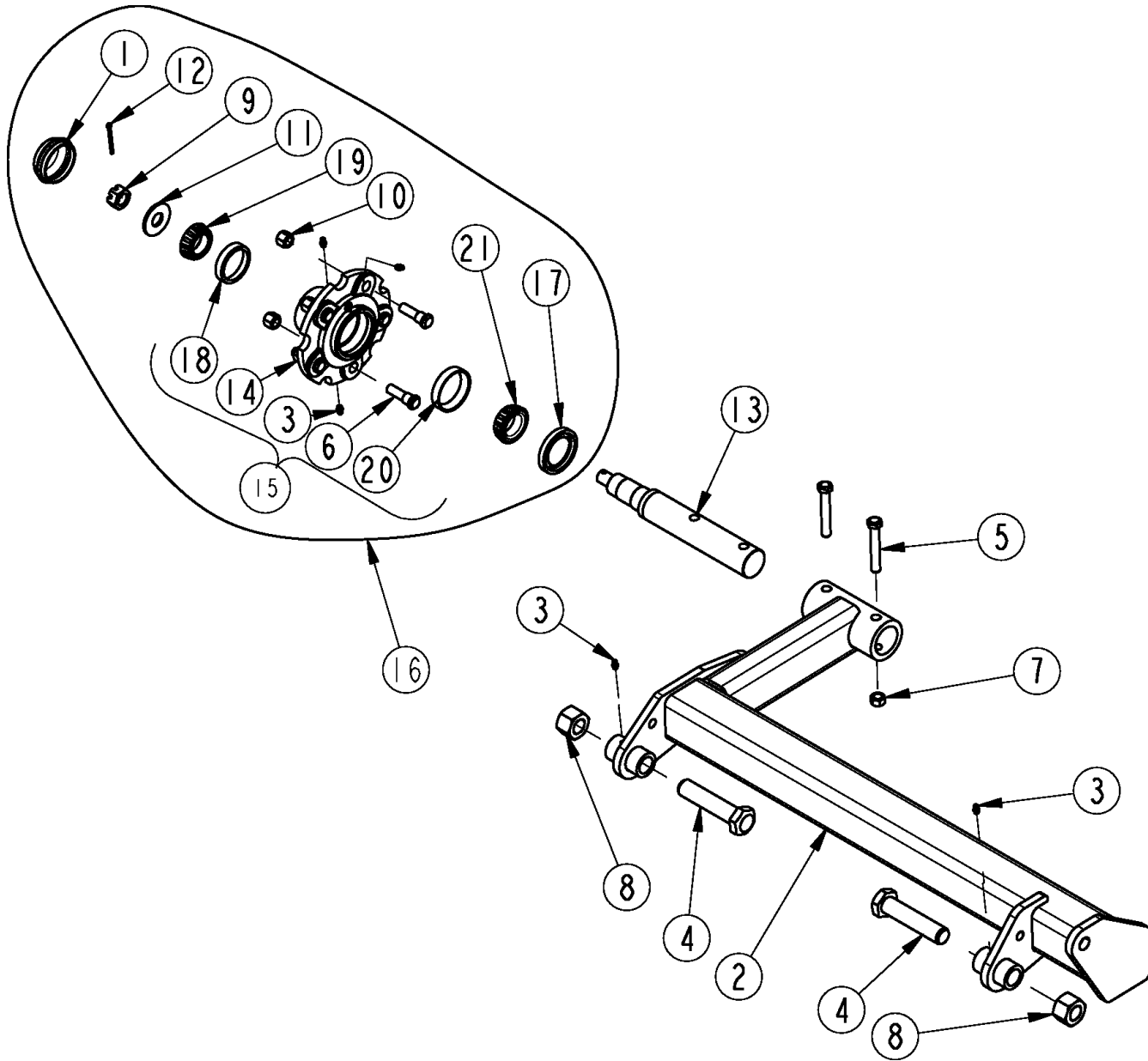
30609

Axle Center**Applies to RC2512 S/N 945550-, RC2512 SERIES 2 S/N 945551+**

Ref	Part No.	Part Description	Comments	Revision
	Dwg 30609	Drawing Image Number		
1.	200-001D	HUB GREASE CAP		
2.	330-677H	AXLE CENTER		
3.	800-001C	GREASE ZERK STRAIGHT 1/4-28	S/N 945005+	
3.	800-080C	GREASE ZERK 1/4-28 THD FORMING	S/N 945004-	
4.	802-098C	HHCS 1-8X4 1/2 GR5		
5.	802-099C	HHCS 1/2-13X3 1/4 GR5		
6.	802-779C	HUB STUD 1/2-20X1.88 GR5		
7.	803-019C	NUT LOCK 1/2-13 PLT		
8.	803-038C	NUT HEX 1-8 NYLON INSERT PLT		
9.	803-053C	NUT HEX SLOTTED 3/4-16		
10.	803-310C	NUT HEX 1/2-20 X 5/8 HIGH		
11.	804-216C	WASHER HARDENED 3/4		
12.	805-246C	PIN COTTER 5/32 X 1 3/4 LG		
13.	815-237C	SPINDLE-SINGLE BOLT-ON		
14.	815-242C	HUB 5-BOLT CASTING		
15.	815-243C	HUB 5-BOLT W/CUPS/STUDS		
16.	815-244C	HUB 5-BOLT COMPLETE		
17.	816-497C	SEAL 1.75ID CR17617		
18.	822-020C	BRG CUP LM-67010		
19.	822-021C	BRG CONE 1.25ID LM-67048		
20.	822-033C	BRG CUP LM-48510		
21.	822-034C	BRG CONE LM-48548		

Axle Wing

Applies to RC2512 S/N 945550-, RC2512 SERIES 2 S/N 945551+



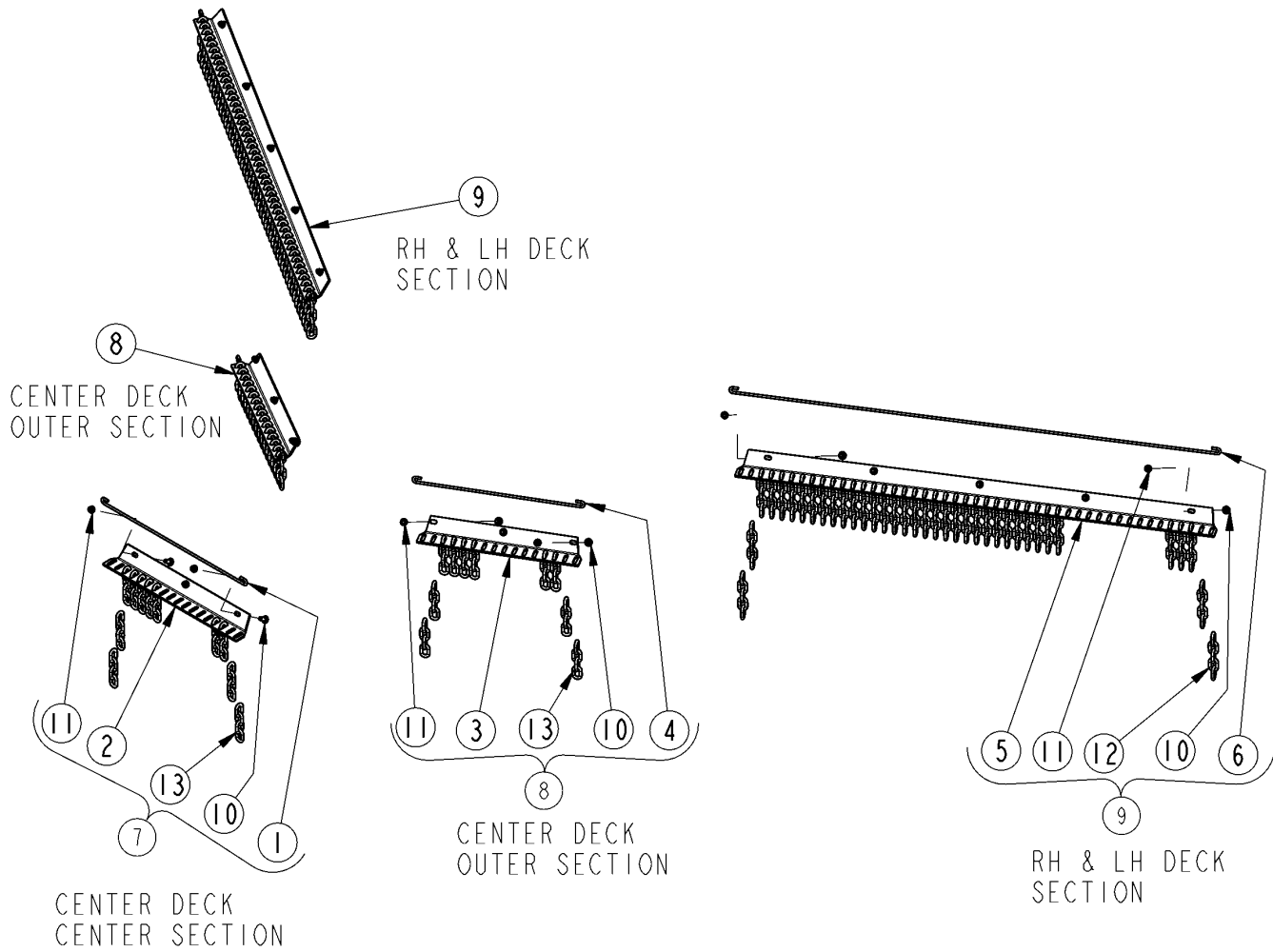
30610

Axle Wing**Applies to RC2512 S/N 945550-, RC2512 SERIES 2 S/N 945551+**

Ref	Part No.	Part Description	Comments	Revision
	Dwg 30610	Drawing Image Number		
1.	200-001D	HUB GREASE CAP		
2.	330-678H	AXLE WING RH		
3.	800-001C	GREASE ZERK STRAIGHT 1/4-28	S/N 945005+	
3.	800-080C	GREASE ZERK 1/4-28 THD FORMING	S/N 945004-	
4.	802-098C	HHCS 1-8X4 1/2 GR5		
5.	802-099C	HHCS 1/2-13X3 1/4 GR5		
6.	802-779C	HUB STUD 1/2-20X1.88 GR5		
7.	803-019C	NUT LOCK 1/2-13 PLT		
8.	803-038C	NUT HEX 1-8 NYLON INSERT PLT		
9.	803-053C	NUT HEX SLOTTED 3/4-16		
10.	803-310C	NUT HEX 1/2-20 X 5/8 HIGH		
11.	804-216C	WASHER HARDENED 3/4		
12.	805-246C	PIN COTTER 5/32 X 1 3/4 LG		
13.	815-237C	SPINDLE-SINGLE BOLT-ON		
14.	815-242C	HUB 5-BOLT CASTING		
15.	815-243C	HUB 5-BOLT W/CUPS/STUDS		
16.	815-244C	HUB 5-BOLT COMPLETE		
17.	816-497C	SEAL 1.75ID CR17617		
18.	822-020C	BRG CUP LM-67010		
19.	822-021C	BRG CONE 1.25ID LM-67048		
20.	822-033C	BRG CUP LM-48510		
21.	822-034C	BRG CONE LM-48548		

Guards Chain Single Row Front S/N 945550-

Applies to RC2512 S/N 945550-

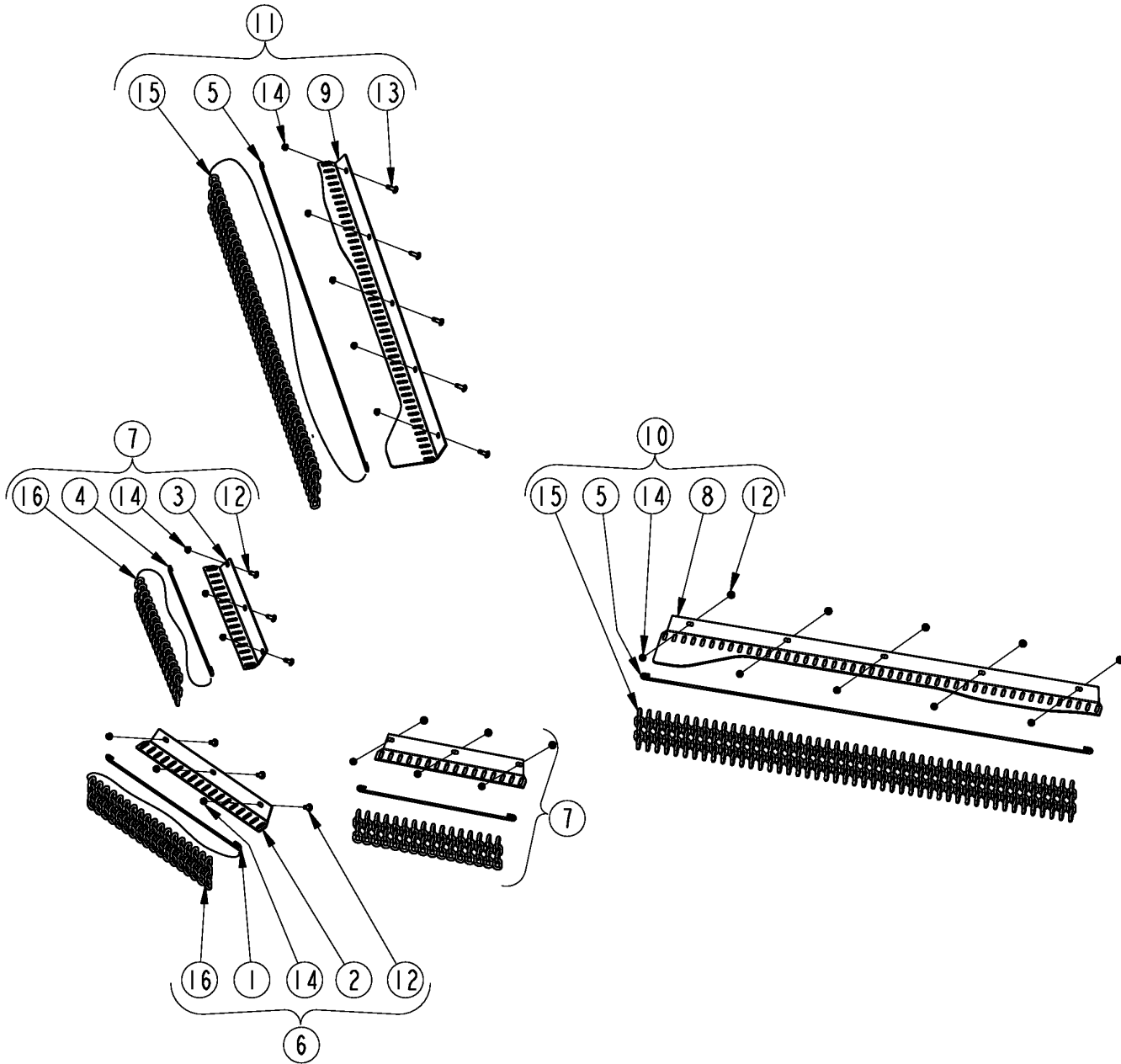


Guards Chain Single Row Front S/N 945550-**Applies to RC2512 S/N 945550-**

Ref	Part No.	Part Description	Comments	Revision
	dwg30612	Drawing Image Number		
1.	318-337D	ROUND ROD 1/4 X 25		
2.	330-301D	BRACKET CHNGRD FRT CTR		
3.	330-302D	BRACKET CHNGRD FRT OUTR		
4.	330-303D	ROUND ROD 1/4 X 22		
5.	330-304D	BRACKET CHNGRD FRT WING		
6.	330-305D	ROUND ROD 1/4 X 58		
7.	330-699K	ASSY CHNGRD FRT CTR INR		
8.	330-700K	ASSY CHNGRD FRT CTR OTR		
9.	330-701K	ASSY CHNGRD FRT WING		
10.	802-015C	RHSNB 3/8-16X1 GR5		
11.	803-198C	NUT HEX WHIZ 3/8-16 PLT		
12.	890-341C	CHAIN WELD 5/16 PROOF X 5 LINK		
13.	890-400C	CHAIN WELD 5/16 PROOF X 4 LINK		

Guards Chain Single Row Front S/N 94551+

Applies to RC2512 SERIES 2 S/N 94551+



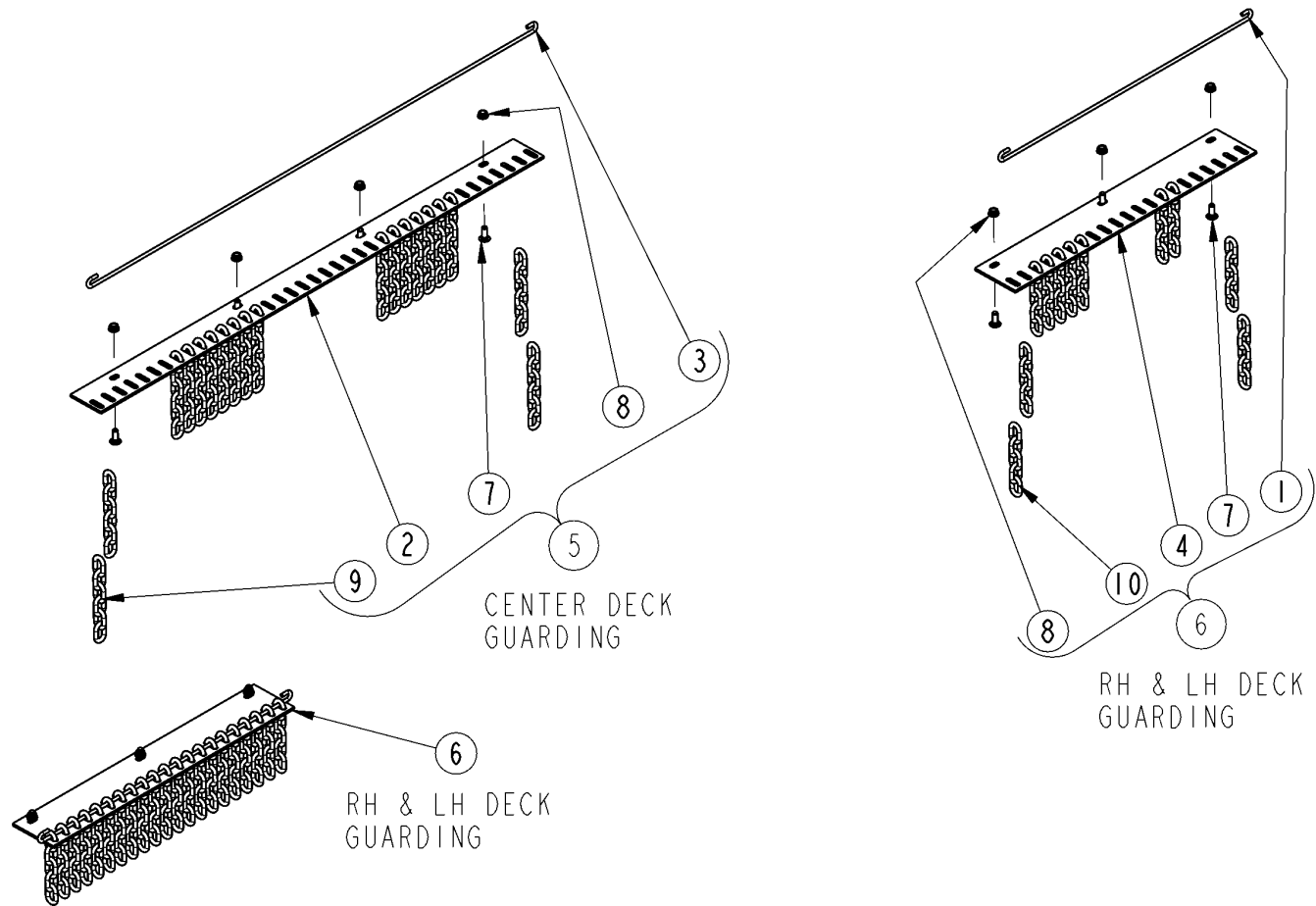
37486

Guards Chain Single Row Front S/N 945551+**Applies to RC2512 SERIES 2 S/N 945551+**

Ref	Part No.	Part Description	Comments	Revision
	Dwg 37486	Image No.		
1.	318-337D	ROUND ROD 1/4 X 25		
2.	330-301D	BRACKET CHNGRD FRT CTR		
3.	330-302D	BRACKET CHNGRD FRT OUTR		
4.	330-303D	ROUND ROD 1/4 X 22		
5.	330-305D	ROUND ROD 1/4 X 58		
6.	330-699K	ASSY CHNGRD FRT CTR INR		
7.	330-700K	ASSY CHNGRD FRT CTR OTR		
8.	331-371D	BRACKET CHNGRD FRT LH WING		
9.	331-527D	BRACKET CHGRD FRN RH WING		
10.	331-950K	ASSY CHNGRD FRT WING		
11.	334-073K	ASSY CHN GRD FRT RH WING		
12.	802-015C	RHSNB 3/8-16X1 GR5		
13.	802-155C	RHSNB 3/8-16X1 1/4 GR5		
14.	803-198C	NUT HEX WHIZ 3/8-16 PLT		
15.	890-341C	CHAIN WELD 5/16 GR 43 X 5 LINK		
16.	890-400C	CHAIN WELD 5/16 GR 43 X 4 LINK		

Guards Chain Single Row Rear

Applies to RC2512 S/N 945550-, RC2512 SERIES 2 S/N 945551+



30613

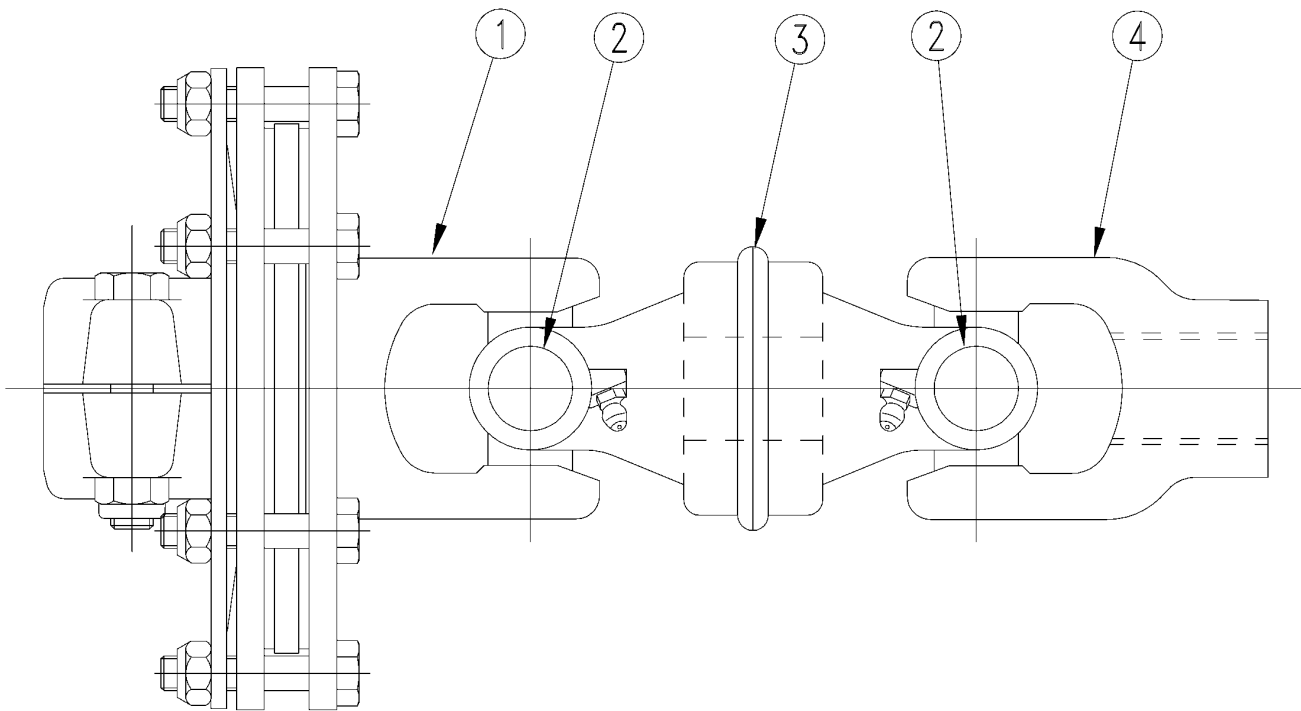
Guards Chain Single Row Rear

Applies to RC2512 S/N 945550-, RC2512 SERIES 2 S/N 945551+

Ref	Part No.	Part Description	Comments	Revision
	Dwg 30613	Drawing Image Number		
1.	318-264D	ROD 1/4 X 28		
2.	330-307D	BRACKET CHNGRD REAR CTR		
3.	330-308D	ROUND ROD 1/4 X 48		
4.	330-309D	BRACKET CHNGRD REAR WING		
5.	330-703K	ASSY CHNGRD REAR CTR		
6.	330-704K	ASSY CHNGRD REAR WING		
7.	802-015C	RHSNB 3/8-16X1 GR5		
8.	803-198C	NUT HEX WHIZ 3/8-16 PLT		
9.	890-175C	CHAIN 5/16 PROOF X 6 LINKS PLT		
10.	890-341C	CHAIN WELD 5/16 PROOF X 5 LINK		

Driveline Center (826-665C) S/N 944646-

Applies to RC2512 S/N 945550-



30644

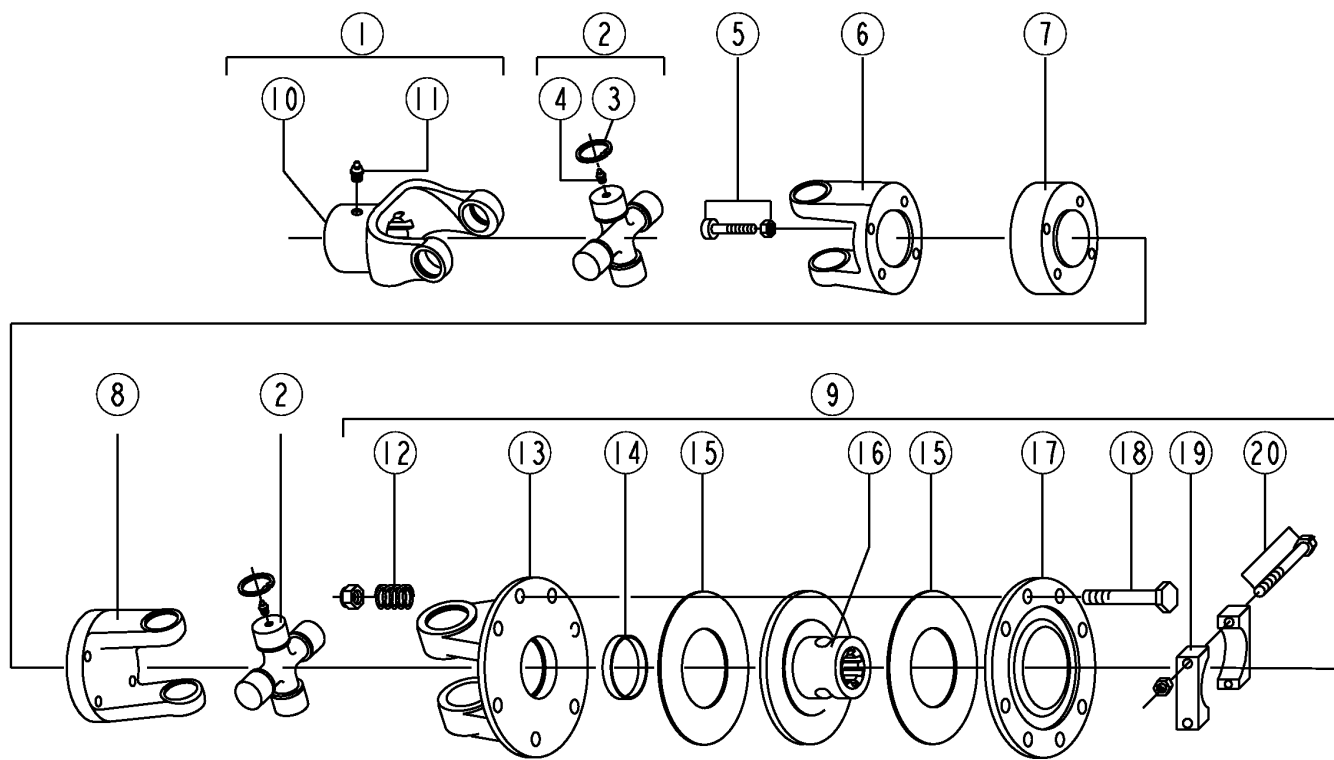
Driveline Center (826-665C) S/N 944646-

Applies to RC2512 S/N 945550-

Ref	Part No.	Part Description	Comments	Revision
	Dwg 30644 826-665C	Drawing Image Number DRIVELINE, CENTER W/ CLUTCH *		
1.	398468	WS FRICTION CLUTCH		
2.	HM.129	WS CROSS & BEARING KIT		
3.	229524X0	WS DOUBLE YOKE		
4.	398481	WS YOKE 1 3/8"-6 SPL.		

Driveline Center (826-813C) S/N 944647+

Applies to RC2512 S/N 945550-, RC2512 SERIES 2 S/N 945551+

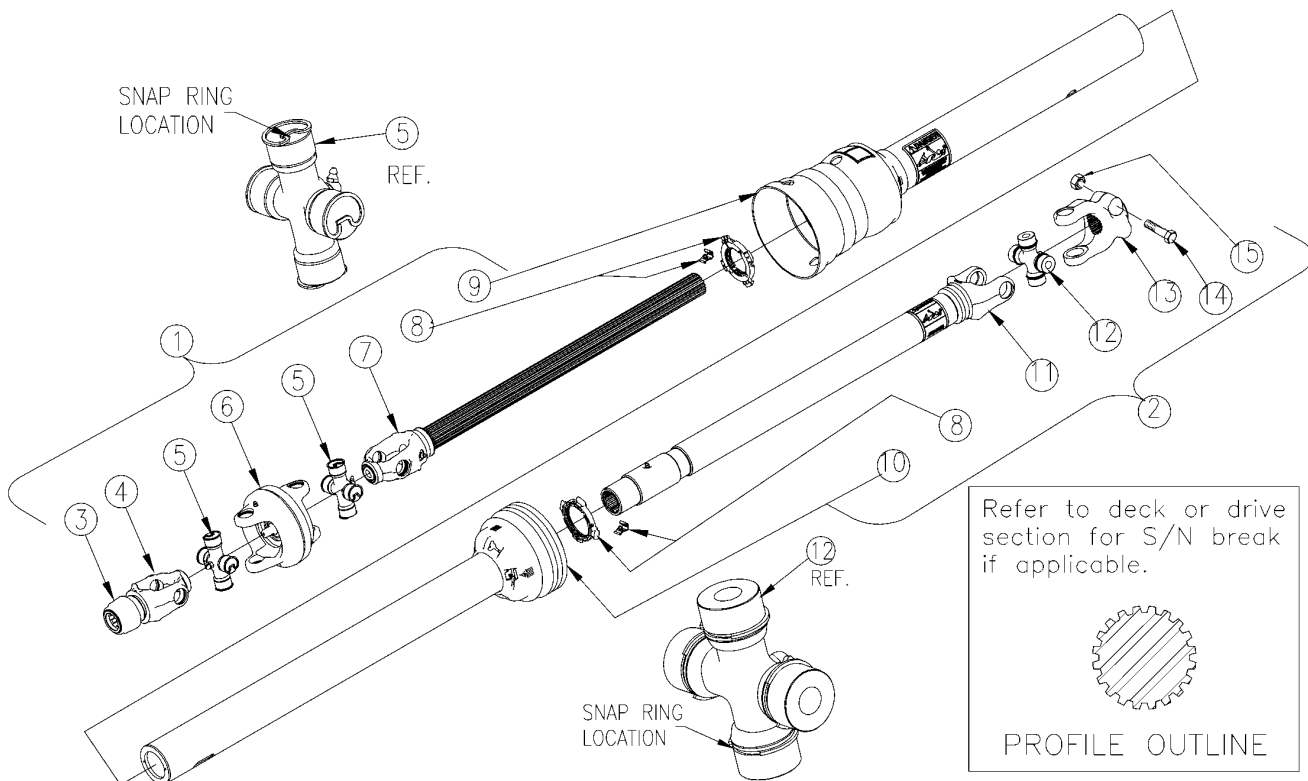


Driveline Center (826-813C) S/N 944647+**Applies to RC2512 S/N 945550-, RC2512 SERIES 2 S/N 945551+**

Ref	Part No.	Part Description	Comments	Revision
	Dwg 37487	Image No.		
	826-813C	DRIVELINE, CENTER W/ CLUTCH		
1.	141.024.757.1	CO SPLINED YOKE 122 W/GRS FTG		
2.	180.014.625	CO CROSS JOURNAL SET		
3.	190.000.031	CO CIRCLIP		
4.	190.000.047	CO GREASE NIPPLE		
5.	165.000.842	CO BOLT & NUT M10X60		
6.	151.014.101.1	CO FLANGED YOKE FEMALE		
7.	151.013.517.1	CO RETAINING WASHER		
8.	151.014.100.1	CO FLANGED YOKE MALE		
9.	146.241.057.1	CO COMPLETE DISC CLUTCH F15		
10.	151.014.757.1	CO SPLINED YOKE		
11.	190.000.020	COMER GREASE FITTING		
12.	180.014.022	COMER SPRING		
13.	151.014.756.1	COMER FLANGED YOKE		
14.	180.019.019	COMER BUSH		
15.	180.015.019	COMER LINING RING		
15.	180.015.377	RPBY 180.015.019		
16.	151.015.424.1	CO CLUTCH SUPPORT F15		
17.	180.015.021.1	CO PRESSURE PLATE		
18.	165.000.501	COMER NUT & BOLT M10X80		
19.	151.014.201	CO COMER BRIDGE		
20.	165.000.622	CO BOLT M14X1.5X100 & NUT		

Driveline CV (826-683C) Weasler

Applies to RC2512 S/N 945550-, RC2512 SERIES 2 S/N 945551+

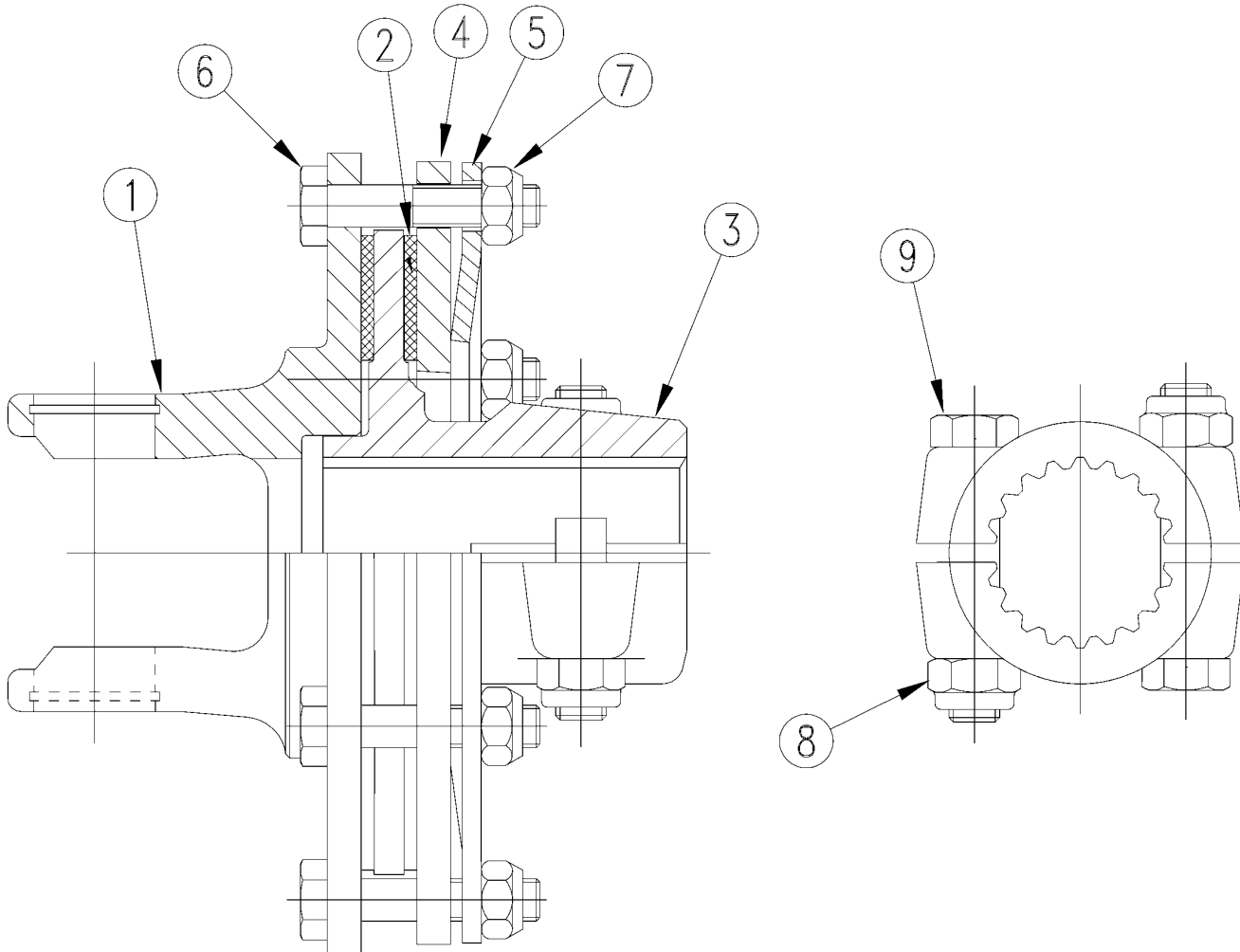


Driveline CV (826-683C) Weasler**Applies to RC2512 S/N 945550-, RC2512 SERIES 2 S/N 945551+**

Ref	Part No.	Part Description	Comments	Revision
	Dwg 30643 826-683C	Drawing Image Number PTO CV 540 NO CLUTCH *		
1.	93-25452	WE JOINT & SHFT HALF ASM W/GRD		
2.	92-25452	WE JOINT & TUBE HALF ASM W/GRD		
3.	26-15120	WE SSL/AUTO-LOK REPAIR KIT		
4.	86810-1008	WE WWCV AUTO-LOK YOKE ASM		
5.	03-15450	WE AB6/AW22/CAT 4 80DEG CROSS		
6.	26-15159	WE WWCV CENTER HOUSING		
7.	99-25452	WE WWCV YOKE & SHFT (1.31-20)		
8.	19-15134	WE GUARD REPAIR KIT		
9.	97-25452	WE OUTER GUARD		
10.	96-25452	WE INNER GUARD		
11.	98-25452	WE YOKE, TUBE & SLIP SLEEVE		
12.	03-10326	WE 35RBL CROSS KIT		
13.	35141-2397	WE YOKE		
14.	11-20456	WE FLG BOLT, 5/8-11X2.75 GR.8		
15.	803-263C	NUT HEX FLANGE LOCK 5/8-11 PLT		

Driveline Slip Clutch (398468)

Applies to RC2512 S/N 945550-, RC2512 SERIES 2 S/N 945551+



30739

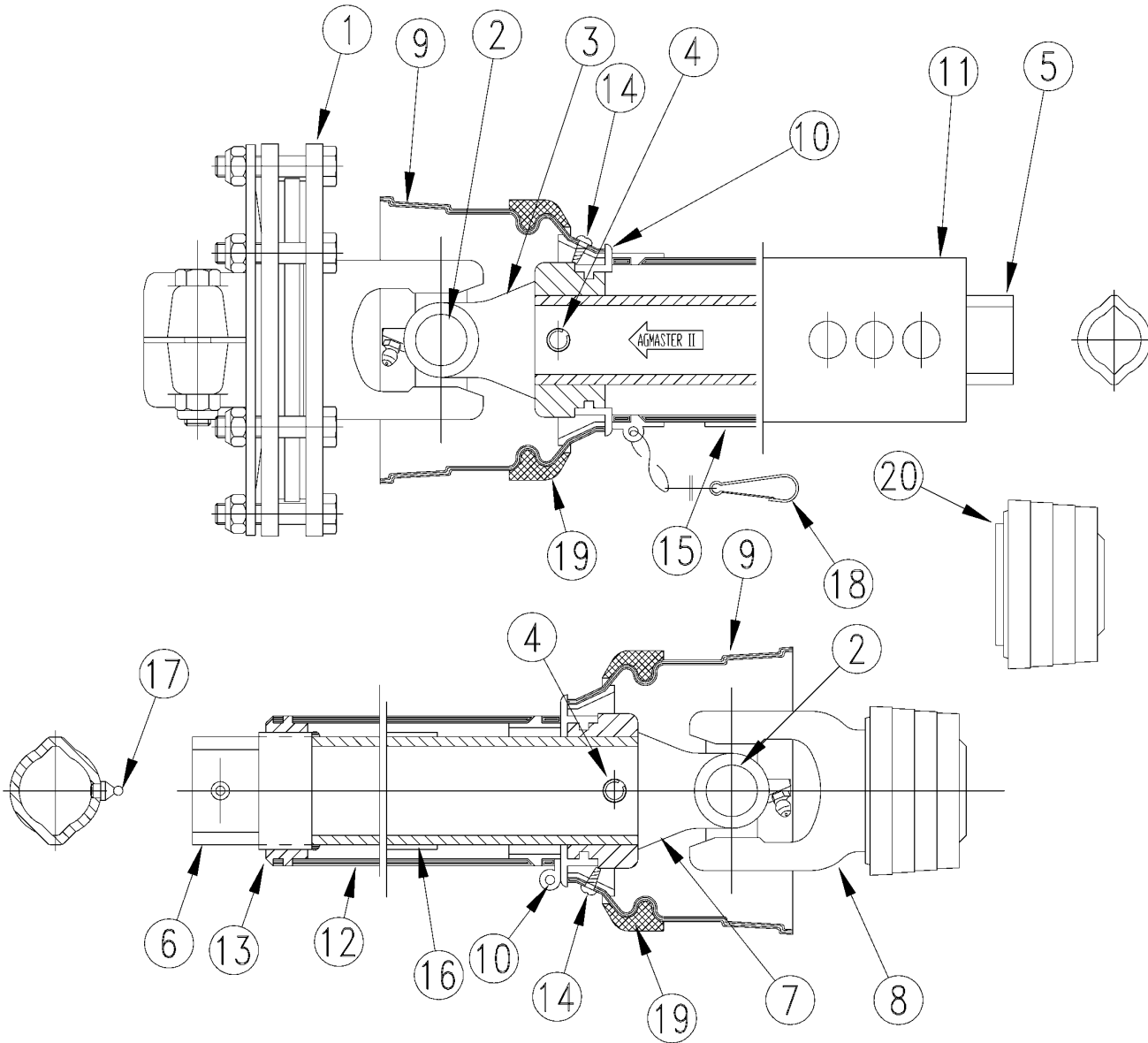
Driveline Slip Clutch (398468)

Applies to RC2512 S/N 945550-, RC2512 SERIES 2 S/N 945551+

Ref	Part No.	Part Description	Comments	Revision
	Dwg 30739 398468	Drawing Image Number WS FRICTION CLUTCH *		
1.	396669	WS FLANGE YOKE		
2.	168556	WS FRICTION DISK		
3.	135539WS	WS HUB 1 3/4-20 I.C.		
4.	391350	WS THRUST PLATE		
5.	392728	WS BELLEVILLE SPRING		
6.	020452	WS HEX BOLT M10X50		
7.	803-280C	NUT HEX NYLOCK M10X1.5 PLT		
8.	301.005	COSMO WING NUT M8		
9.	020467	WS HEX BOLT M12X65		

Driveline Wing (826-667C) S/N 945004-

Applies to RC2512 S/N 945550-

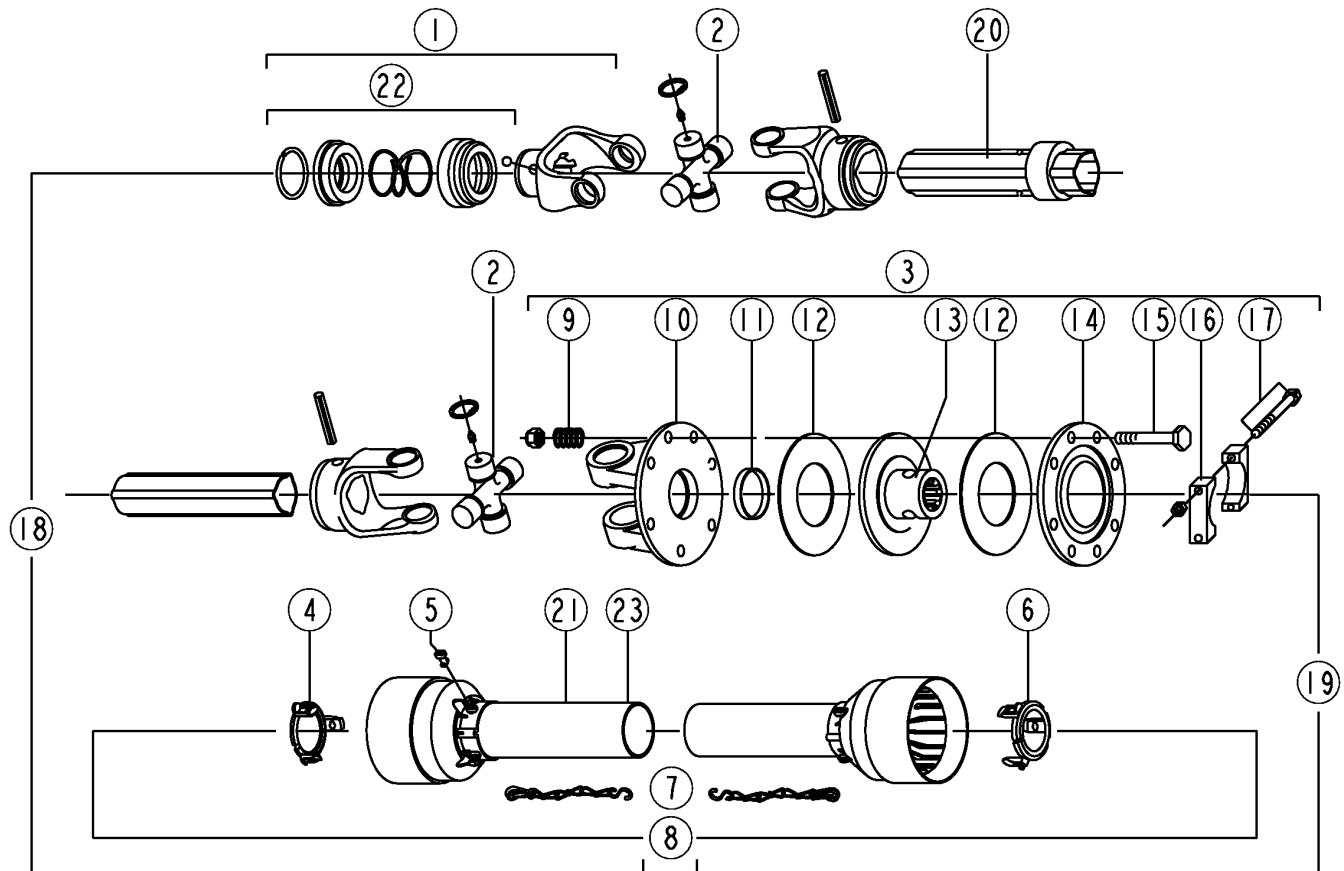


Driveline Wing (826-667C) S/N 945004-**Applies to RC2512 S/N 945550-**

Ref	Part No.	Part Description	Comments	Revision
	dwg30645 826-667C	Drawing Image Number DRIVELINE, WING W/ CLUTCH *		
1.	398468	WS FRICTION CLUTCH		
2.	HM.129	WS CROSS & BEARING KIT		
3.	28119800	WS INBOARD YOKE		
4.	020614	WS SPRING PIN		
5.	021160	WS INNER PROFILE		
6.	399384	WS PROFILE & SLEEVE		
7.	28119900	WS INBOARD YOKE		
8.	229776X0	WS YOKE ASGE		
9.	195266	WS GUARD CONE		
10.	087279	WS BRG RING		
11.	399385	WS GUARD TUBE OUTER		
12.	399386	WS GUARD TUBE INNER		
13.	355154	WS SUPPORT BRG		
14.	365305	WS SCREW		
15.	818-552C	DECAL DANGER PTO DRIVELINE		
16.	818-540C	DECAL DANGER GUARD MISS PTO		
17.	380371	WS ZERK		
18.	044321	DRIVELINE SHIELD SAFETY CHAIN		
19.	359471	WS REINFORCING COLLAR		
20.	390404	WS ASGE COLLAR KIT		

Driveline Wing (826-814C) S/N 945005+

Applies to RC2512 S/N 945550-, RC2512 SERIES 2 S/N 945551+

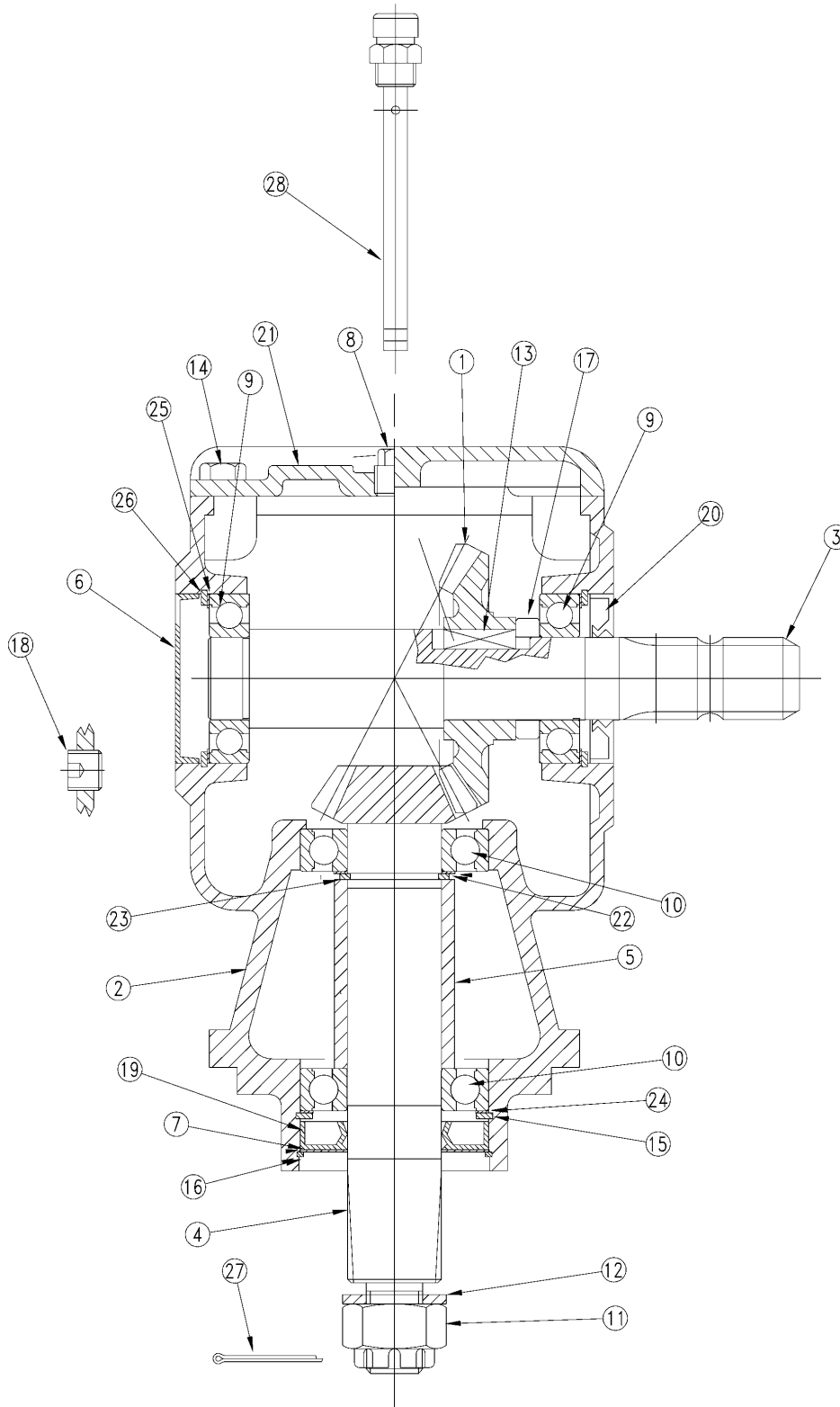


Driveline Wing (826-814C) S/N 945005+**Applies to RC2512 S/N 945550-, RC2512 SERIES 2 S/N 945551+**

Ref	Part No.	Part Description	Comments	Revision
	Dwg 37488 826-814C	Image No. DRIVELINE, WING W/ CLUTCH *		
1.	141.024.430.1	CO COMPLETE COLLAR YOKE C12		
2.	180.014.625	CO CROSS JOURNAL SET		
3.	8146.241.057.1	CO COMPLETE FRICTION CLUTCH		
4.	180.014.233	CO GRD COLLER OUTER TUBE		
4.	8180.014.233	RPBY 180.014.233		
5.	180.014.240	COMER BOLT		
5.	8180.014.240	RPBY 180.014.240		
6.	180.014.232	CO GRD COLLER INNER		
6.	8180.014.232	RPBY 180.014.232		
7.	180.016.790	CO SAFTEY CHAINS	(S/N 928934-)	
8.	142.240.5087421	CO COMPLETE GUARD W/MANUAL		
9.	180.014.022	COMER SPRING		
10.	151.014.756.1	COMER FLANGED YOKE		
11.	180.019.019	COMER BUSH		
12.	180.015.019	COMER LINING RING		
12.	180.015.377	RPBY 180.015.019		
13.	8151.015.424.1	CO SPECIAL HUB F15		
14.	180.015.021.1	CO PRESSURE PLATE		
15.	165.000.501	COMER NUT & BOLT M10X80		
16.	151.014.201	CO COMER BRIDGE		
17.	165.000.622	CO BOLT M14X1.5X100 & NUT		
18.	8123.340.378.11	CO HALF FEMALE SHFT W/GUARDING		
19.	8123.440.737.11	CO HALF MALE SHAFT W/GUARDING		
20.	190.000.098	COMER DANGER LABEL OUTER TUBE		
21.	190.000.099	COMER DANGER LABEL GUARD OUTER		
22.	165.000.628	COMER COLLAR KIT 1 3/8 YOKE		
23.	190.000.915	CO LABEL W/CUSTOMER CODE		

Gearbox (826-390C) S/N 875273-

Applies to RC2512 S/N 945550-



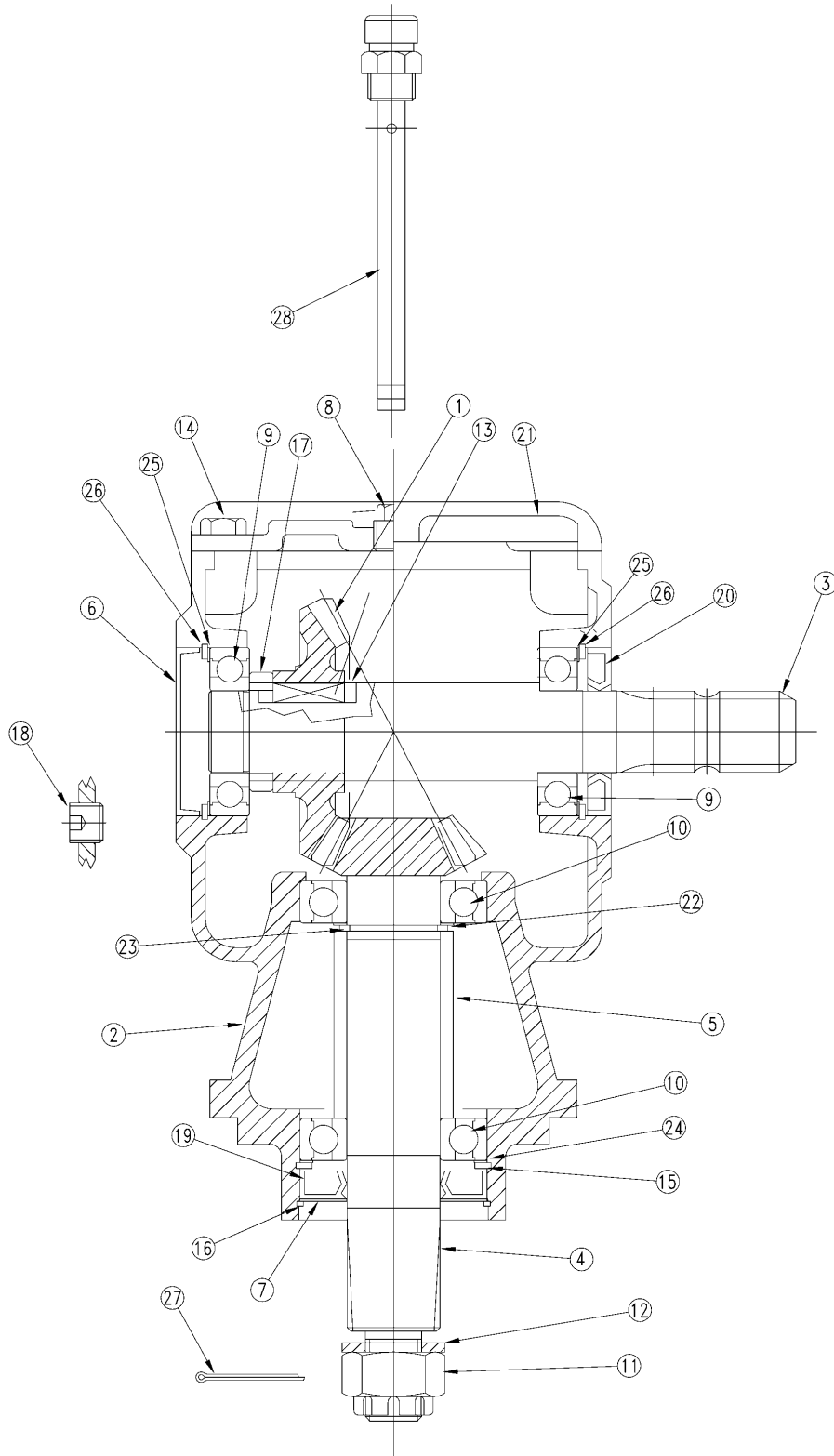
30646

Gearbox (826-390C) S/N 875273-**Applies to RC2512 S/N 945550-**

Ref	Part No.	Part Description	Comments	Revision
	Dwg 30646 826-390C	Drawing Image Number GBOX RC25 1.38-6 1:1.93 STD. *		
1.	0.135.5000.00	CO GEAR Z23 M5		
2.	0.209.0300.00	CO CASTING		
3.	0.209.2002.00	CO INPUT SHAFT 1 3/8" Z6		
4.	0.135.6008.00	CO PINION Z12 M5		
5.	0.135.7105.00	CO SPACER		
6.	8.7.0.00744	CO CAP 72 X 10		
7.	1.135.7100.00	CO WASHER PROTECTIVE		
8.	8.6.5.00006	CO OIL PLUG 3/8		
9.	822-166C	BRG BALL 1.37IDX2.83OD 6207		
10.	822-188C	BRG BALL 6208		
11.	8.2.2.00515	CO NUT, CASTLE M24 X 2		
12.	8.3.2.00409	CO FLAT WASHER 25 X 44 X 4		
13.	8.4.1.00993	CO PARALLEL KEY B 10 X 8 X 30		
14.	8.1.1.00501	CO BOLT M10X22 HHB		
15.	8.5.2.00030	CO SNAP RING 80 UNI 7437		
16.	8.5.3.00955	CO SNAP RING SB 81		
17.	0.209.7100.00	CO SPACER		
18.	8.6.6.00201	CO PLUG 3/8 GAS (SOLID PLUG)		
19.	8.7.1.00748	CO DOUBLE LIP SEAL 40X80X12		
20.	8.7.1.00152	OIL SEAL, 35 X 72 X 12/10		
21.	0.209.1300.00	CO COVER		
22.	A244.501	CO SHIM KIT 40.3 51.5		
23.	8.5.1.00680	CO SNAP RING 40 UNI 7436		
24.	A.267.503	COMER SHIM KIT Z18 M6.15		
25.	A.248.500	COMER SHIM KIT 71.7		
26.	8.5.2.00131	CO SNAP RING INT 72 UN17437		
27.	826-487C	COMER 8.4.7.00516 COTTER		
28.	826-491C	COMER U0.209.7101.00 DIPSTICK		

Gearbox (826-677C) S/N 875273-

Applies to RC2512 S/N 945550-



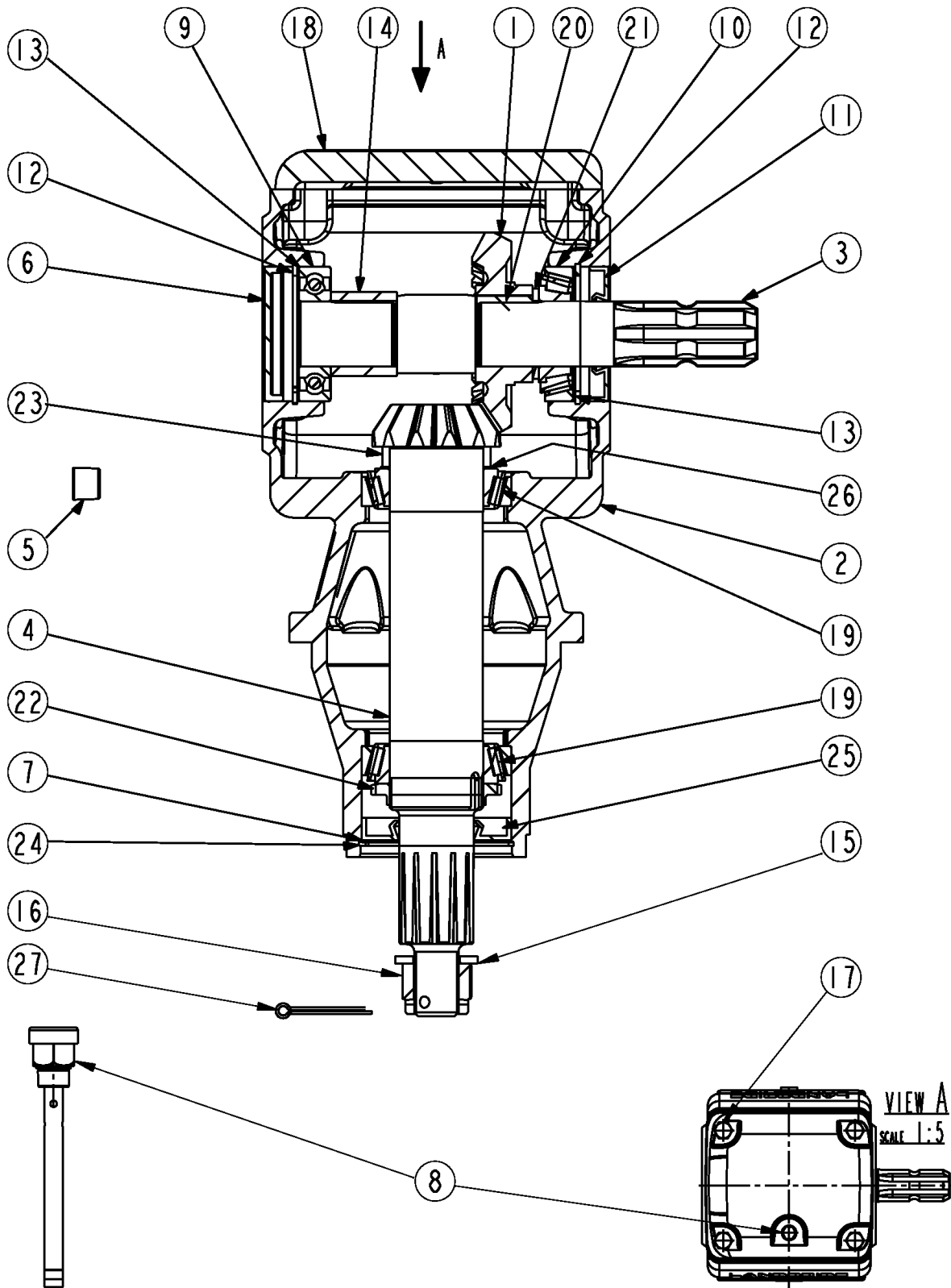
30647

Gearbox (826-677C) S/N 875273-**Applies to RC2512 S/N 945550-**

Ref	Part No.	Part Description	Comments	Revision
	Dwg 30647 826-677C	Drawing Image Number GBOX RC25 1.38-6 1:1.93 REV *		
1.	0.135.5000.00	CO GEAR Z23 M5		
2.	0.209.0300.00	CO CASTING		
3.	0.209.2003.00	CO INPUT SHAFT 1 3/8" Z6		
4.	0.135.6008.00	CO PINION Z12 M5		
5.	0.135.7105.00	CO SPACER		
6.	8.7.0.00744	CO CAP 72 X 10		
7.	1.135.7100.00	CO WASHER PROTECTIVE		
8.	8.6.5.00006	CO OIL PLUG 3/8		
9.	822-166C	BRG BALL 1.37IDX2.83OD 6207		
10.	822-188C	BRG BALL 6208		
11.	8.2.2.00515	CO NUT, CASTLE M24 X 2		
12.	8.3.2.00409	CO FLAT WASHER 25 X 44 X 4		
13.	8.4.1.00993	CO PARALLEL KEY B 10 X 8 X 30		
14.	8.1.1.00501	CO BOLT M10X22 HHB		
15.	8.5.2.00030	CO SNAP RING 80 UNI 7437		
16.	8.5.3.00955	CO SNAP RING SB 81		
17.	0.209.7100.00	CO SPACER		
18.	8.6.6.00201	CO PLUG 3/8 GAS (SOLID PLUG)		
19.	8.7.1.00748	CO DOUBLE LIP SEAL 40X80X12		
20.	8.7.1.00152	OIL SEAL, 35 X 72 X 12/10		
21.	0.209.1300.00	CO COVER		
22.	A244.501	CO SHIM KIT 40.3 51.5		
23.	8.5.1.00680	CO SNAP RING 40 UNI 7436		
24.	A.267.503	COMER SHIM KIT Z18 M6.15		
25.	A.248.500	COMER SHIM KIT 71.7		
26.	8.5.2.00131	CO SNAP RING INT 72 UN17437		
27.	826-487C	COMER 8.4.7.00516 COTTER		
28.	826-491C	COMER U0.209.7101.00 DIPSTICK		

Gearbox (826-774C) Comer S/N 875274+

Applies to RC2512 S/N 945550-, RC2512 SERIES 2 S/N 945551+



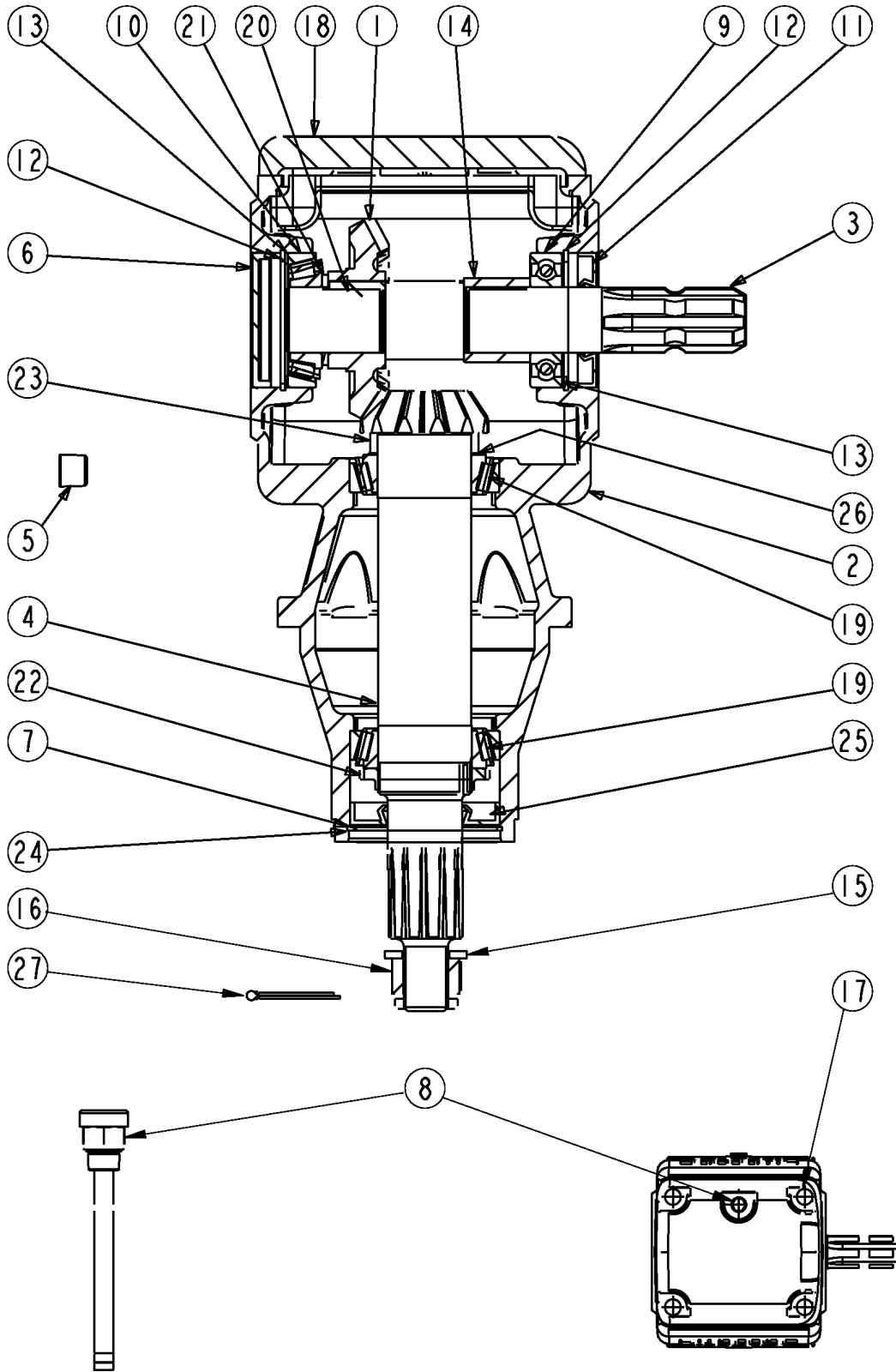
37563

Gearbox (826-774C) Comer S/N 875274+**Applies to RC2512 S/N 945550-, RC2512 SERIES 2 S/N 945551+**

Ref	Part No.	Part Description	Comments	Revision
	Dwg 37563	Image No.		
	826-774C	GBOX RC25 1.38-6 1:1.92 STD		
1.	0.135.5000.00	CO GEAR Z23 M5		
2.	0.209.0302.00	CO CASTING & MACHINING		
3.	0.209.2005.00	CO 1"3/8 Z6 INPUT SHAFT		
4.	0.209.5001.00	CO PINION SHAFT Z12 M5		
5.	8.6.6.00201	CO PLUG 3/8 GAS (SOLID PLUG)		
6.	8.7.0.00744	CO CAP 72 X 10		
7.	1.135.7100.00	CO WASHER PROTECTIVE		
8.	826-491C	COMER U0.209.7101.00 DIPSTICK		
8.	0.209.7101.00	RPBY 826-491C		
9.	822-166C	BRG BALL 1.37IDX2.83OD 6207		
9.	8.0.1.00870	RPBY 822-166C		
10.	822-167C	BRG ROLLER 1.37IDX2.83OD SET		
10.	8.0.9.00026	RPBY 822-167C		
11.	8.7.1.00152	OIL SEAL, 35 X 72 X 12/10		
12.	8.5.2.00131	CO SNAP RING INT 72 UN17437		
13.	A.248.500	COMER SHIM KIT 71.7		
13.	0.248.7500.00	RPBY A.248.500		
14.	0.209.7102.00	CO SPACER		
15.	8.3.2.00409	CO FLAT WASHER 25 X 44 X 4		
16.	8.2.2.00515	CO NUT, CASTLE M24 X 2		
17.	8.1.1.00501	CO BOLT M10X22 HHB		
18.	0.209.1300.00	CO COVER		
19.	8.0.9.01241	CO RLR BRG 32010X (50X80X20)		
20.	8.4.1.00993	CO PARALLEL KEY B 10 X 8 X 30		
21.	0.624.7101.00	CO SPACER (35.3X48.3X3.4)		
22.	0.781.7102.00	CO LOCKNUT M50X1.5		
23.	0.139.7102.00	CO SPACER (50.2X58X11)		
24.	8.5.3.00955	CO SNAP RING SB 81		
25.	8.7.1.00748	CO DOUBLE LIP SEAL 40X80X12		
26.	0.777.7500.00	CO SHIM KIT (50.2X59.8)		
27.	826-487C	COMER 8.4.7.00516 COTTER		
27.	8.4.7.00516	RPBY 826-487C		

Gearbox (826-775C) Comer S/N 875274+

Applies to RC2512 S/N 945550-, RC2512 SERIES 2 S/N 945551+



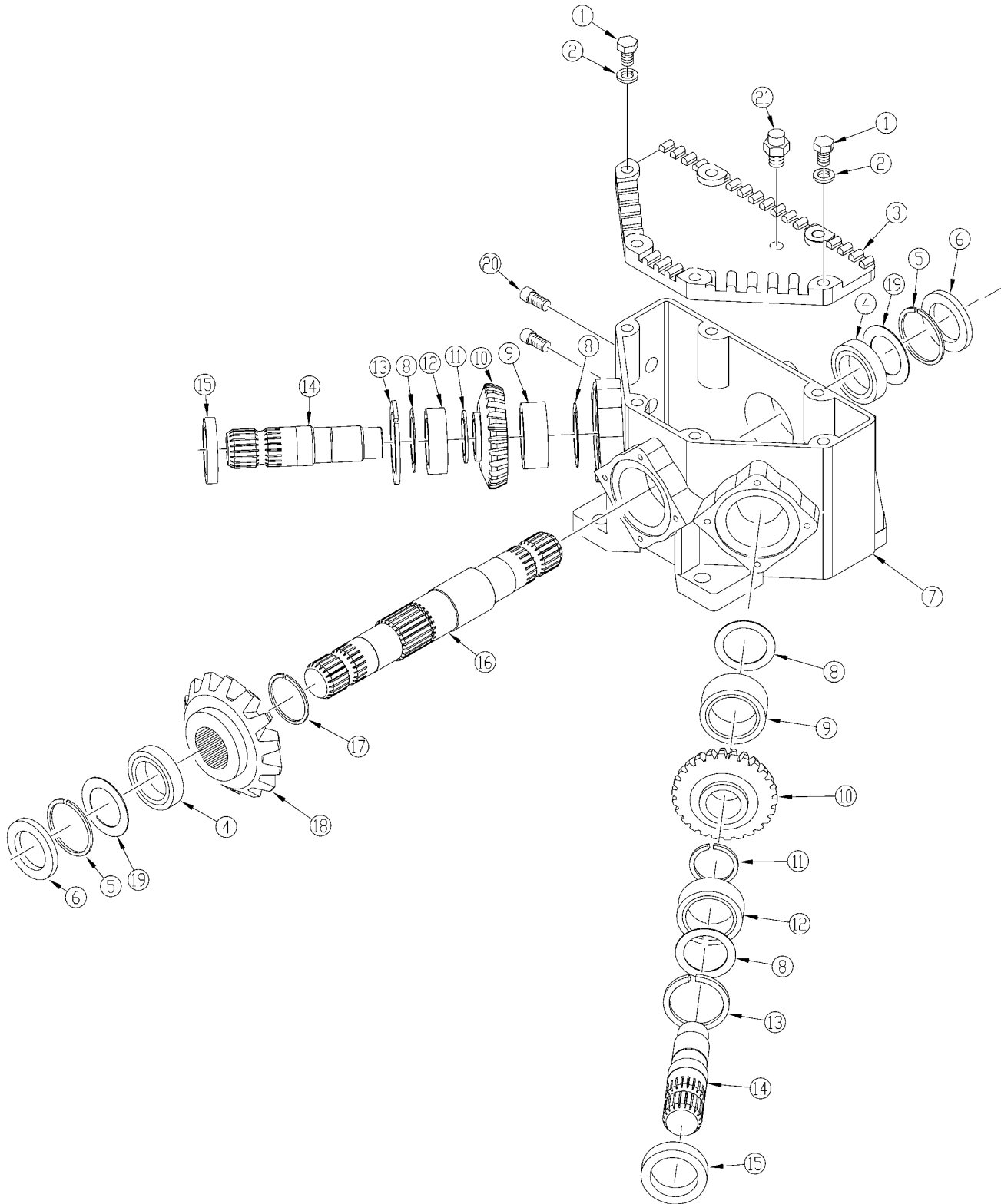
37564

Gearbox (826-775C) Comer S/N 875274+**Applies to RC2512 S/N 945550-, RC2512 SERIES 2 S/N 945551+**

Ref	Part No.	Part Description	Comments	Revision
	Dwg 37564	Image No.		
	826-775C	GBOX RC25 1.38-6 1:1.92 REV		
1.	0.135.5000.00	CO GEAR Z23 M5		
2.	0.209.0302.00	CO CASTING & MACHINING		
3.	0.209.2005.00	CO 1"3/8 Z6 INPUT SHAFT		
4.	0.209.5001.00	CO PINION SHAFT Z12 M5		
5.	8.6.6.00201	CO PLUG 3/8 GAS (SOLID PLUG)		
6.	8.7.0.00744	CO CAP 72 X 10		
7.	1.135.7100.00	CO WASHER PROTECTIVE		
8.	826-491C	COMER U0.209.7101.00 DIPSTICK		
8.	0.209.7101.00	RPBY 826-491C		
9.	822-166C	BRG BALL 1.37IDX2.83OD 6207		
9.	8.0.1.00870	RPBY 822-166C		
10.	822-167C	BRG ROLLER 1.37IDX2.83OD SET		
10.	8.0.9.00026	RPBY 822-167C		
11.	8.7.1.00152	OIL SEAL, 35 X 72 X 12/10		
12.	8.5.2.00131	CO SNAP RING INT 72 UN17437		
13.	A.248.500	COMER SHIM KIT 71.7		
13.	0.248.7500.00	RPBY A.248.500		
14.	0.209.7102.00	CO SPACER		
15.	8.3.2.00409	CO FLAT WASHER 25 X 44 X 4		
16.	8.2.2.00515	CO NUT, CASTLE M24 X 2		
17.	8.1.1.00501	CO BOLT M10X22 HHB		
18.	0.209.1300.00	CO COVER		
19.	8.0.9.01241	CO RLR BRG 32010X (50X80X20)		
20.	8.4.1.00993	CO PARALLEL KEY B 10 X 8 X 30		
21.	0.624.7101.00	CO SPACER (35.3X48.3X3.4)		
22.	0.781.7102.00	CO LOCKNUT M50X1.5		
23.	0.139.7102.00	CO SPACER (50.2X58X11)		
24.	8.5.3.00955	CO SNAP RING SB 81		
25.	8.7.1.00748	CO DOUBLE LIP SEAL 40X80X12		
26.	0.777.7500.00	CO SHIM KIT (50.2X59.8)		
27.	826-487C	COMER 8.4.7.00516 COTTER		
27.	8.4.7.00516	RPBY 826-487C		

Gearbox Divider 540 RPM (826-280C) Comer

Applies to RC2512 S/N 945550-, RC2512 SERIES 2 S/N 945551+



18782

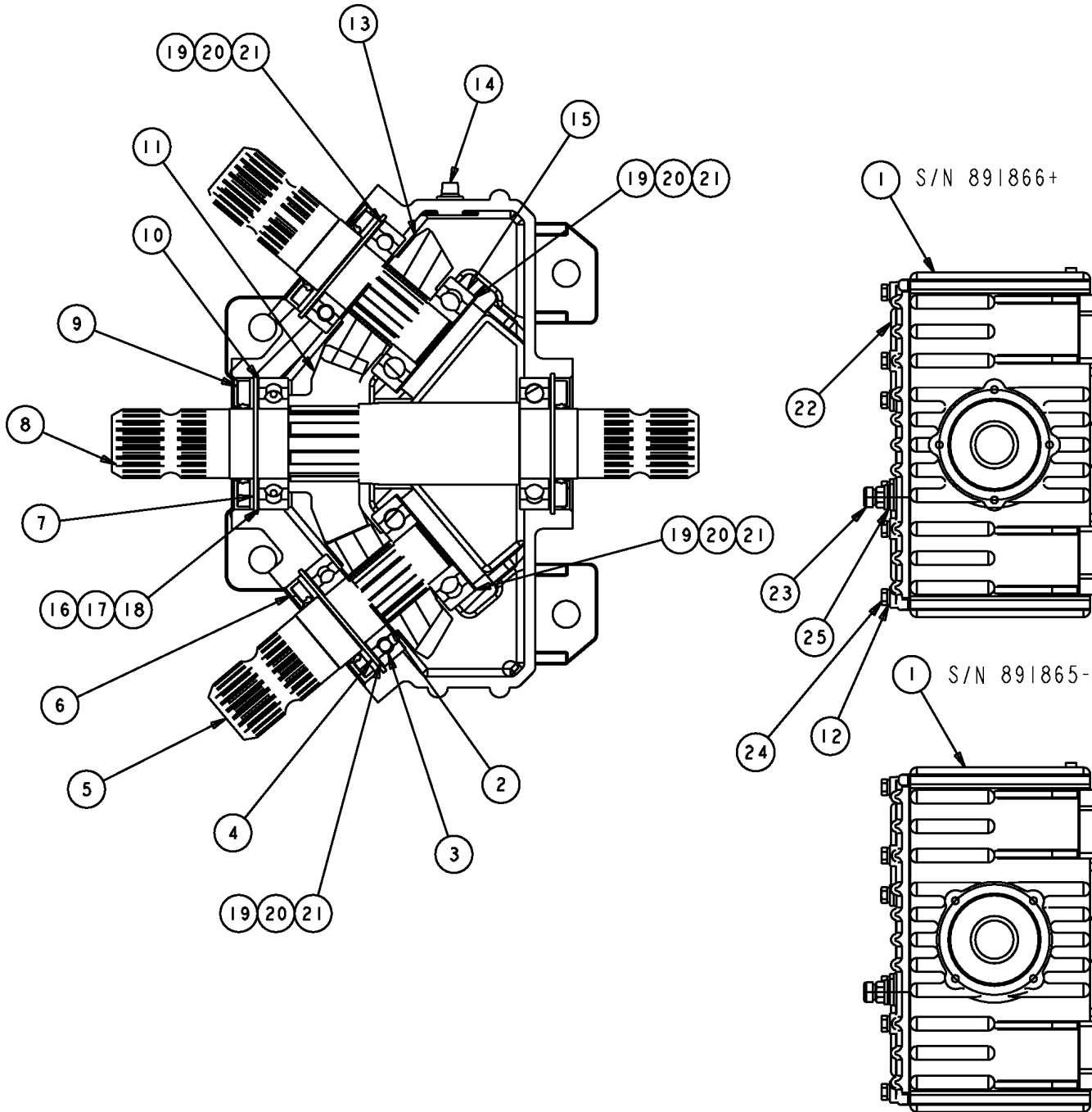
Gearbox Divider 540 RPM (826-280C) Comer**Applies to RC2512 S/N 945550-, RC2512 SERIES 2 S/N 945551+**

Ref	Part No.	Part Description	Comments	Revision
	Dwg 18782 826-280C	Drawing Image Number DIVIDER OMNI/CO 540RPM SU *		
1.	8.1.1.00449	CO BOLT M8X30 8.8		
2.	8.3.7.00140	CO SPRING WASHER 8.4X13X1.2		
3.	0.265.1501.00	CO COVER T1		
4.	822-189C	BALL BEARING 6209		
5.	8.5.2.00332	CO SNAP RING UNI 7437		
6.	8.7.3.00331	CO OIL SEAL 45 X 85 X 10		
7.	0.265.0300.00	CO CASING		
8.	0.267.7500.00	CO SHIM 79.9		
9.	822-190C	BALL BEARING 6307		
10.	0.265.5203.00	CO PINION Z20		
11.	8.5.1.00680	CO SNAP RING 40 UNI 7436		
12.	822-188C	BALL BEARING 6208		
13.	8.5.2.00030	CO SNAP RING 80 UNI 7437		
14.	0.263.3002.00	CO SHAFT 1 3/4-20		
15.	8.7.3.00398	CO OIL SEAL 45 X 80 X 10		
16.	0.263.2004.00	CO SHAFT 1 3/4 Z20		
17.	8.5.3.01012	CO SNAP RING SW 47		
18.	0.263.5001.00	CO GEAR Z24		
19.	0.709.7500.00	CO SHIM 84.7		
20.	8.6.6.00201	CO PLUG 3/8 GAS		
21.	8.6.7.00269	CO 1/2" GAS BREATHER PLUG *		

Notes: Oil Type 80-90W Capacity 3.5 Pints

Gearbox Divider 540 RPM (826-280C) SD Engineering

Applies to RC2512 S/N 945550-, RC2512 SERIES 2 S/N 945551+



Gearbox Divider 540 RPM (826-280C) SD Engineering**Applies to RC2512 S/N 945550-, RC2512 SERIES 2 S/N 945551+**

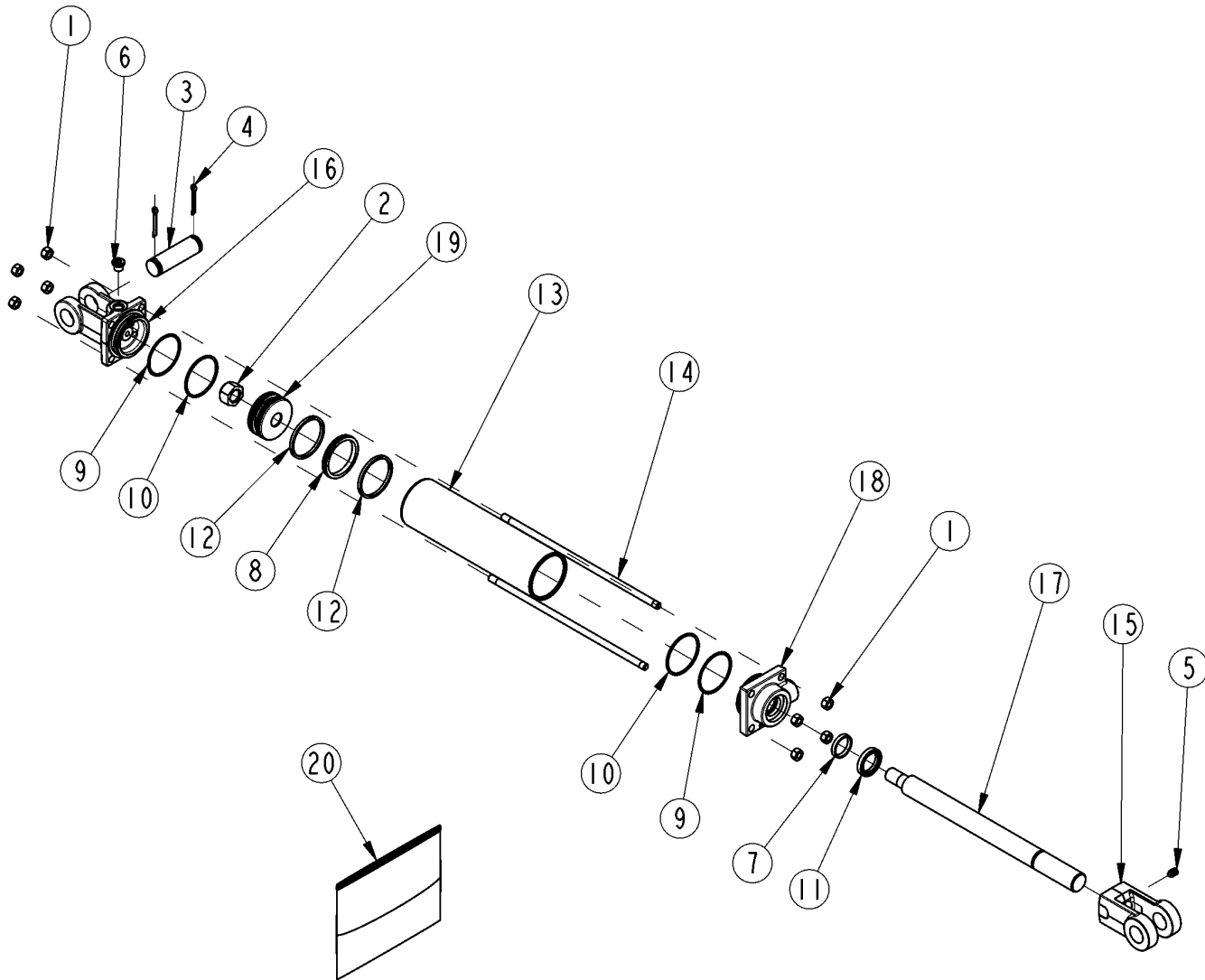
Ref	Part No.	Part Description	Comments	Revision
	Dwg 33915 826-280C	Drawing Image Number DIV. OMNI/CO 540RPM SU *		
1.	18-120	SD HOUSING		
2.	21-012	ITG RETAINING RING	S/N 775017+	
2.	21-018	SD 40DIA SHAFT RETAINING RING	S/N 775016-	
3.	822-188C	BRG BALL 6208		
4.	21-008	SD RETAINING RING		
5.	02-223	SD OUTPUT SHAFT		
6.	05-049	SD OIL SEAL 45X80X10		
7.	21-037	SD RETAINING RING 85		
8.	02-222	SD THRU SHAFT		
9.	05-050	SD OIL SEAL 45X85X10		
10.	04-136	SD BALL BEARING 209		
11.	03-180	SD 24 TOOTH GEAR		
12.	07-025	SD M8 HELICAL SPRING LOCK WSHR		
13.	03-181	SD 20 TOOTH GEAR		
14.	09-004	SD 3/8-18 NPT SQ HEAD PLUG	S/N 775017+	
14.	09-052	SD 3/8-19NPT SQ HEAD PLUG	S/N 775016-	
15.	04-112	SD BALL BEARING 307		
16.	17-042	SD SHIM (0.20)		
17.	17-043	SD SHIM (0.30)		
18.	17-044	SD SHIM (0.50)		
19.	17-045	SD SHIM (0.20)		
20.	17-046	SD SHIM (0.30)		
21.	17-047	SD SHIM (0.50)		
22.	20-124	SD INSPECTION CAP COVER		
23.	09-011	ITG M18 X 1.5P PLUG VENTED		
24.	06-038	SD M8X1.25X40 HEX HEAD CAPP SW		
25.	07-022	ITG SEALING WASHER		

Hydraulic Cylinder (810-200C) Midway**Applies to RC2512 S/N 945550-, RC2512 SERIES 2 S/N 945551+**

Ref	Part No.	Part Description	Comments	Revision
	Dwg 10219 810-200C	Drawing Image Number CYL 2.5X8X1.12 ROD (TIE)1 PIN *		
1.	5M4124	MW TUBE 3 X 16 CYLINDER		
2.	2M4422	MW ROD 1-1/4 DIA. X 16 STROKE		
3.	1M6010	MW NUT CLEVIS STD. DUTY		
4.	2A0012	MW NUT CLEVIS & TIE ROD		
5.	802-023C	HHCS 3/8-16X1 3/4 GR5		
6.	7M4324	MW TIE ROD 3 X 16 CYLINDER		
7.	2A0014	MW TIE ROD NUT		
8.	3R1410	MW HEAD		
9.		O-RING	Only found in seal kit 19	
10.		BACK-UP	Only found in seal kit 19	
11.		WIPER SEAL	Only found in seal kit 19	
12.		O-RING	Only found in seal kit 19	
13.	4M4104	MW PISTON 3" DIA.		
14.	6R1146-ADI	MIDWAY ADI BASE		
15.	2A0024	MW PISTON NUT 1"-14		
16.		BACK-UP	Only found in seal kit 19	
17.	2A0208	MW CLEVIS PIN		
18.	2A0132	MW PIN CLIP		
19.	810-210C	SEAL KIT MW 2.5 CYL 3A3102	2nd revision	
19.	810-119C	RPBY 810-210C	Use up existing stock; revision 1	

Hydraulic Cylinder (810-200C) Red Lion

Applies to RC2512 S/N 945550-, RC2512 SERIES 2 S/N 945551+



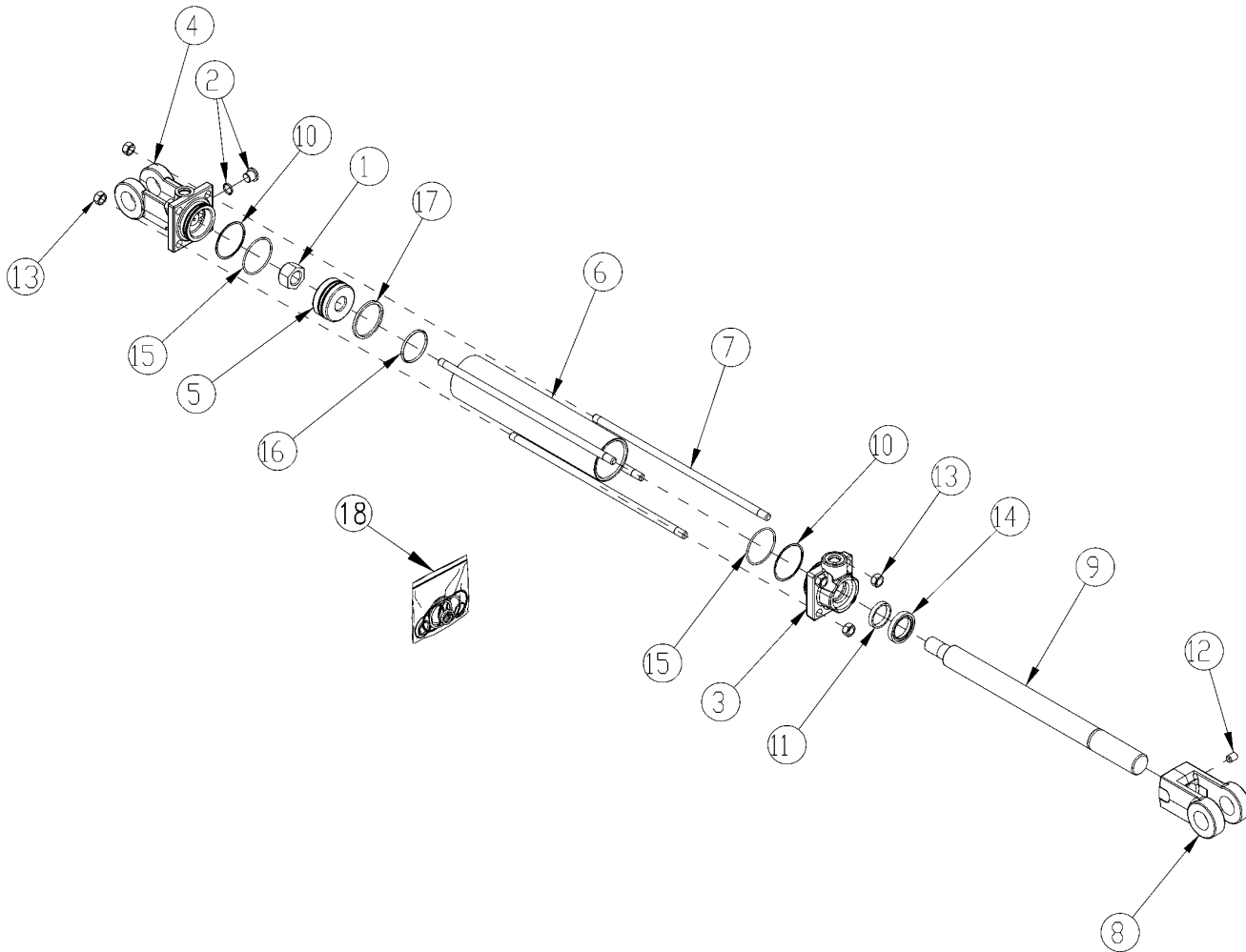
25901

Hydraulic Cylinder (810-200C) Red Lion**Applies to RC2512 S/N 945550-, RC2512 SERIES 2 S/N 945551+**

Ref	Part No.	Part Description	Comments	Revision
	Dwg 25901 810-200C	Drawing Image Number CYL 2.5X8X1.12 ROD (TIE)1 PIN *		
1.	803-014C	NUT HEX 3/8-16 PLT		
2.	130556	MON PISTON NUT		
3.	134953	LION PIN		
4.	135995	MON CLEVIS PIN COTTER		
5.	801-023C	SCREW SET SH 3/8-16X3/8 TYPE C		
6.	186561	PLUG 9/16-18UNF MORB SOCKET HD		
7.	N/A	MON ROD SEAL	Only Found in Kit #20	
8.	N/A	MON PISTON SEAL	Only Found in Kit #20	
9.	N/A	MON END CAP BACKUP WASHERS	Only Found in Kit #20	
10.	N/A	MON END CAP O-RING	Only Found in Kit #20	
11.	N/A	LION WIPER SEAL	Only Found in Kit #20	
12.	N/A	MON PISTON WEAR RING	Only Found in Kit #20	
13.	491668	LION CYL. TUBE 2.5 X 8		
14.	492218	LION TIE ROD 3/8, 8 CYL		
15.	492650	LION ROD CLEVIS 1 1/8-12UNF		
16.	492688	LION CLEVIS CAP 2.5, 9/16 ORB		
17.	492699	LION ROD 1.125 ASAE 8		
18.	494391	MON ROD CP2.50-1.12-9/16ORB-TS		
19.	258818	MON PISTON 2.50-.750-TSS-ISO-WR		
20.	810-886C	MON SEAL KIT 661701		

Hydraulic Cylinder (810-722C)

Applies to RC2512 S/N 945550-, RC2512 SERIES 2 S/N 945551+



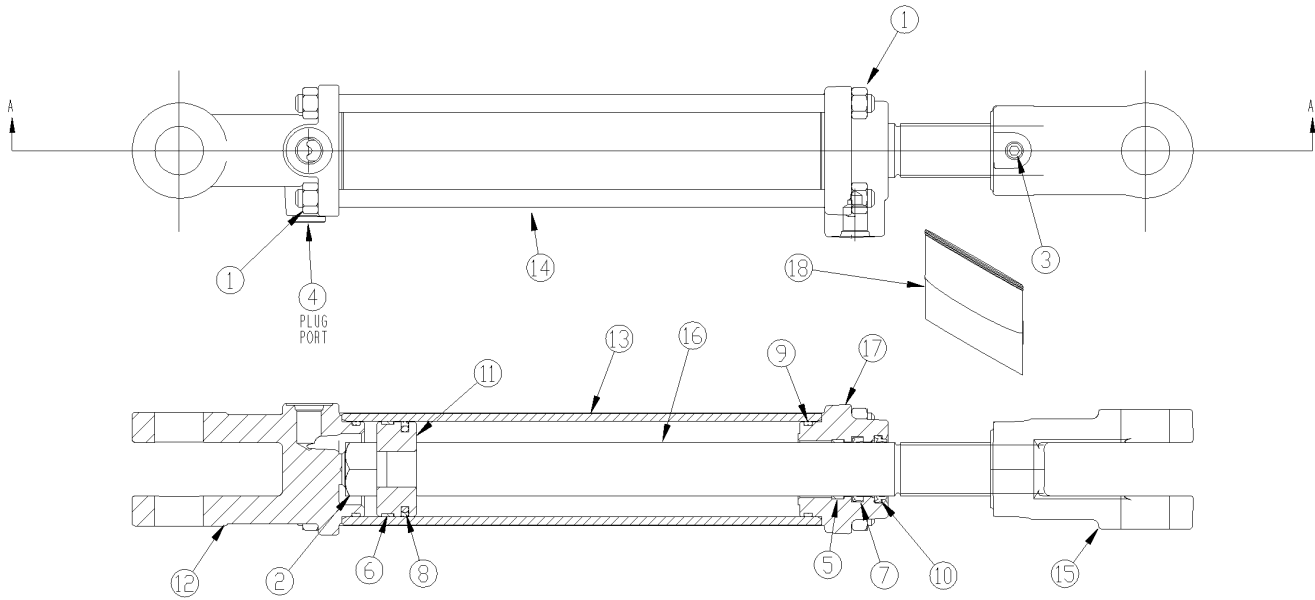
30846

Hydraulic Cylinder (810-722C)**Applies to RC2512 S/N 945550-, RC2512 SERIES 2 S/N 945551+**

Ref	Part No.	Part Description	Comments	Revision
	Dwg 30846 810-722C	Drawing Image Number CYL 2X8X1.12 ROD (TIE ROD) *		
1.	130556	MON PISTON NUT		
2.	186561	PLUG 9/16-18UNF MORB SOCKET HD		
3.	292667	MON ROD CAP		
4.	292668	MON CLEVIS CAP		
5.	294765	MON PISTON		
6.	491608	MON TUBE		
7.	492218	LION TIE ROD 3/8, 8 CYL		
8.	492650	LION ROD CLEVIS 1 1/8-12UNF		
9.	492699	LION ROD 1.125 ASAE 8		
10.	N/A	MON END CAP BACKUP WASHER	Only Found in Kit #18	
11.	N/A	MON ROD SEAL	Only Found in Kit #18	
12.	801-023C	SCREW SET SH 3/8-16X3/8 TYPE C		
13.	803-014C	NUT HEX 3/8-16 PLT		
14.	N/A	MON SEAL WIPER ROD	Only Found in Kit #18	
15.	N/A	MON END CAP O-RING	Only Found in Kit #18	
16.	N/A	MON PISTON O-RING	Only Found in Kit #18	
17.	N/A	MON PISTON SEAL	Only Found in Kit #18	
18.	639542	MON SEALS REPAIR KIT		

Hydraulic Cylinder (810-882C)

Applies to RC2512 S/N 945550-, RC2512 SERIES 2 S/N 945551+



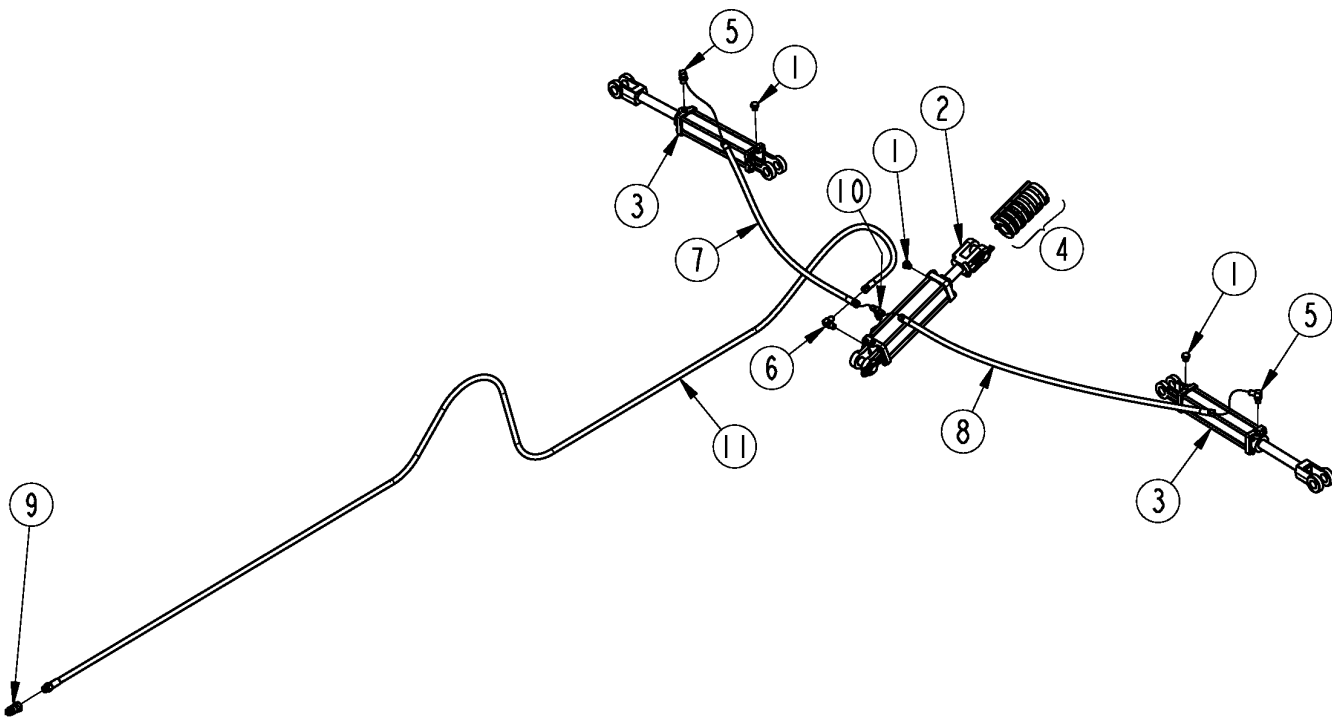
35301

Hydraulic Cylinder (810-882C)**Applies to RC2512 S/N 945550-, RC2512 SERIES 2 S/N 945551+**

Ref	Part No.	Part Description	Comments	Revision
	Dwg 35301 810-882C	Drawing Image Number CYL 2X8X1.12 ROD (TIE ROD) *		
1.	803-014C	NUT HEX 3/8-16 PLT		
2.	130556	MON PISTON NUT		
3.	148000	MON SET SCREW 3/8INC ONE PIECE		
4.	186561	PLUG 9/16-18UNF MORB SOCKET HD		
5.	N/A	MON WEAR RING 1.25-1.13-0.250	Found in Item #18	
6.	N/A	MON WEAR RING 2.00-1.88-0.260	Found in Item #18	
7.	N/A	MON SEAL ZURCON U-CUP RU9 1.13	Found in Item #18	
8.	N/A	MON SEAL ZURCON WYNSEAL 2.00	Found in Item #18	
9.	N/A	MON SEAL DUAL 2.00-.170	Found in Item #18	
10.	N/A	MON SEAL WIPER 1.13 WNUC TSS	Found in Item #18	
11.	258851	MON PISTON 2.00-.75-TSS-ISO-WR		
12.	292668	MON CLEVIS CAP		
13.	491608	MON TUBE		
14.	492218	LION TIE ROD 3/8, 8 CYL		
15.	492650	LION ROD CLEVIS 1 1/8-12UNF		
16.	492699	LION ROD 1.125 ASAE 8		
17.	494382	MON ROD CAP2.0-1.12-9/16ORB-TS		
18.	620271	MON SK RK 20-113 (810-883C)		

Hydraulic Lift Plumbing Single Remote

Applies to RC2512 S/N 945550-, RC2512 SERIES 2 S/N 945551+



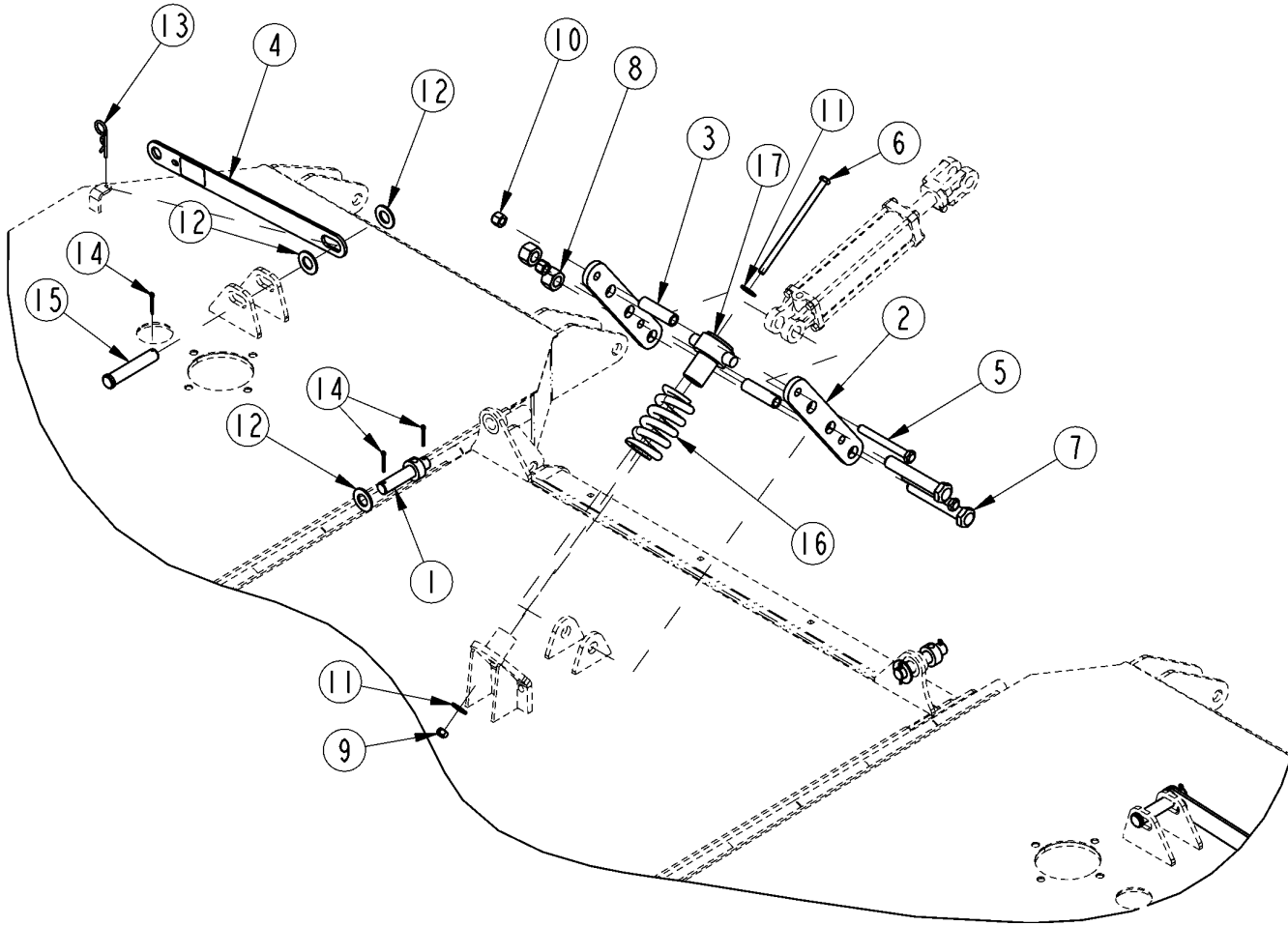
30615

Hydraulic Lift Plumbing Single Remote**Applies to RC2512 S/N 945550-, RC2512 SERIES 2 S/N 945551+**

Ref	Part No.	Part Description	Comments	Revision
	Dwg 30615	Drawing Image Number		
1.	800-117C	VENT PLUG - 9/16-18 PLATED		
2.	810-200C	CYL 2.5X8X1.12 ROD (TIE)1 PIN		
3.	810-882C	CYL 2X8X1.12 ROD (TIE ROD)	S/N 775017+	
3.	810-722C	RPBY 810-882C	S/N 775016-	
4.	810-818C	STRK CNTRL SPCRS 1.125 TO 1.50		
5.	811-062C	OREL 1/32 9/16MJIC 9/16MORB		
6.	811-337C	OREL 1/16 9/16MJIC 9/16MORB		
7.	811-180C	HH1/4R1 057 9/16FJIC		
8.	811-180C	HH1/4R1 057 9/16FJIC		
9.	811-394C	CP 3/4FORB MALE QD POPPET TYPE		
10.	811-439C	TE 9/16MORB 9/16MJIC 9/16MJIC		
11.	811-633C	HH3/8R1 162 3/4MORB 9/16 FJIC		

Spring Mechanism & Wing Locks

Applies to RC2512 S/N 945550-, RC2512 SERIES 2 S/N 945551+



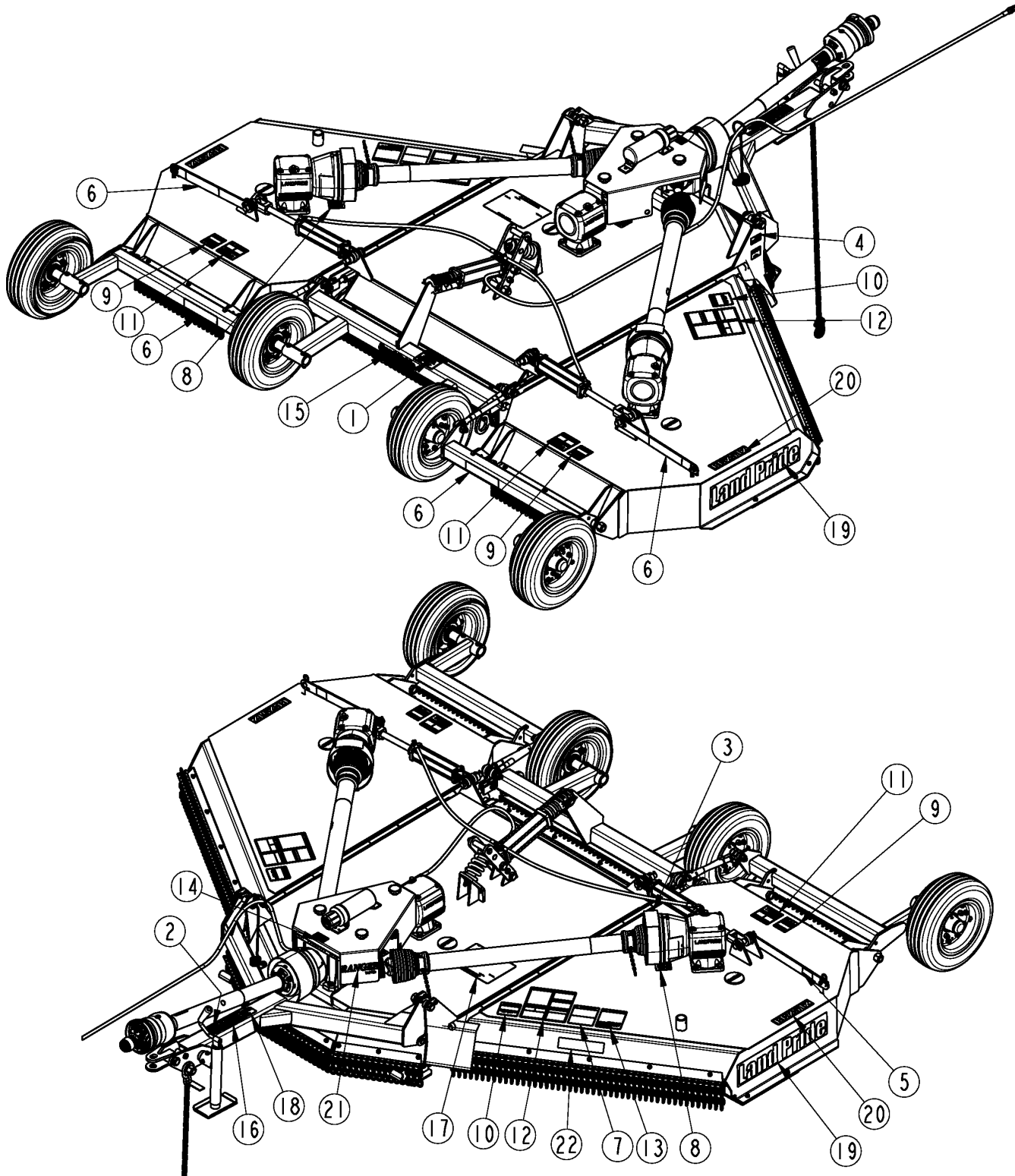
30616

Spring Mechanism & Wing Locks**Applies to RC2512 S/N 945550-, RC2512 SERIES 2 S/N 945551+**

Ref	Part No.	Part Description	Comments	Revision
	Dwg 30616	Drawing Image Number		
1.	318-018H	WLDMT. CYLINDER PIN		
2.	330-291D	TRUNNION ARM		
3.	330-294D	SPACER TRUNNION ARM		
4.	330-735S	TRANSPORT BAR W/ DECALS		
5.	802-254C	HHCS 5/8-11X5 1/2 GR5		
6.	802-269C	HHCS 1/2-13X9 GR5		
7.	802-715C	HHCS 1-8X6 GR8 PLT SPTHD		
8.	803-038C	NUT HEX 1-8 NYLON INSERT PLT		
9.	803-147C	NUT HEX NYLOCK 1/2-13		
10.	803-148C	NUT HEX NYLOCK 5/8-11 PLT		
11.	804-017C	WASHER FLAT 1/2 USS PLT		
12.	804-029C	WASHER FLAT 1 SAE		
13.	805-088C	PIN, HAIR COTTER 3/16 WIRE DIA		
14.	805-104C	PIN COTTER 3/16 X 1 1/2 PLT		
15.	805-131C	PIN CLEVIS 1 X 4 11/16 USABLE		
16.	807-271C	SPRING COMP 3.20OD .63W 5.5L		
17.	812-388C	SWIVEL CAST		

Decals S/N 945550-

Applies to RC2512 S/N 945550-



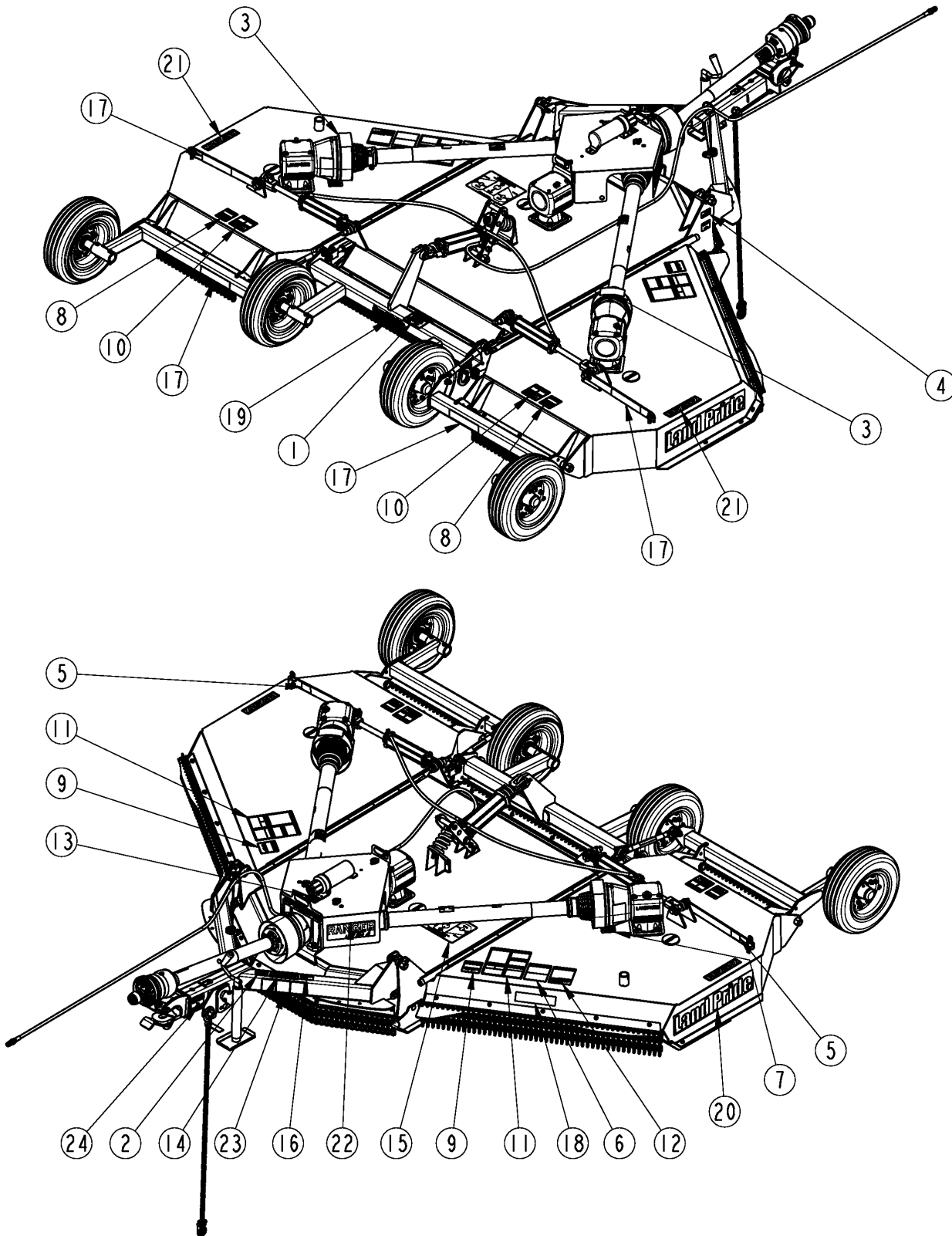
30614

Decals S/N 945550-**Applies to RC2512 S/N 945550-**

Ref	Part No.	Part Description	Comments	Revision
	Dwg 30614	Drawing Image Number		
1.	818-045C	DECAL WARNING PINCH PT/CRUSH		
2.	818-130C	DECAL CAUTION 540 RPM		
3.	818-142C	DECAL DANGER PTO DRIVELINE EN		
4.	818-190C	DECAL FLAG		
5.	818-229C	DECAL AMBER REFLECTOR		
6.	838-614C	DECAL REFLECTOR RED 2X9	S/N 813017+	
6.	818-230C	DECAL RED REFLECTOR	S/N 813016-	
7.	818-276C	DECAL WARNING OPERATING ANGLE		
8.	818-543C	DECAL DANGER PD GUARD MISS SML		
9.	818-556C	DECAL DANGER THROWN OBJ CUTTER		
10.	818-561C	DECAL DANGER RAISED WING HAZAR		
10.	818-555C	DECAL DANGER ROTATE BLADE		
11.	818-564C	RPBY 818-555C	Obsolete	
12.	818-830C	DECAL SAFETY COMBO SUNWEST		
13.	818-840C	DECAL DANGER ROLLOVER HAZARD		
14.	818-862C	DECAL 5 YEAR GEARBOX WARRANTY		
15.	848-159C	DECAL LANDPRIDE 10" BROWN/GOLD		
16.	838-094C	DECAL WARNING HYD PRESS LONG		
17.	838-475C	DECAL BLADE ROTATION		
18.	838-588C	FOLDING CUTTER SPEED WARNING		
19.	848-631C	DECAL LANDPRIDE 24" GREEN	Beige Unit	
19.	848-676C	DECAL LANDPRIDE 24" YELLOW	Green & Red Unit	
19.	848-128C	DECAL LANDPRIDE 25-GOLD	Orange Unit	
20.	848-637C	DECAL RC2515 GREEN	Beige Unit	
20.	848-638C	DECAL RC2515 GOLD	Orange, Green & Red Unit	
21.	858-065C	DECAL RANGER GREEN	Beige & Green Unit	
21.	858-066C	DECAL RANGER ORANGE	Orange Unit	
21.	858-064C	DECAL RANGER	Red Unit	
22.	838-615C	DECAL REFLECTOR AMBER 2X9	S/N 813017+	

Decals S/N 945551+

Applies to RC2512 SERIES 2 S/N 945551+



37489

Decals S/N 945551+**Applies to RC2512 SERIES 2 S/N 945551+**

Ref	Part No.	Part Description	Comments	Revision
	Dwg 37489	Image No.		
1.	818-045C	DECAL WARNING PINCH PT/CRUSH		
2.	818-130C	DECAL CAUTION 540 RPM		
3.	818-142C	DECAL DANGER PTO DRIVELINE EN		
4.	818-190C	DECAL FLAG		
5.	818-229C	DECAL AMBER REFLECTOR		
6.	818-276C	DECAL WARNING OPERATING ANGLE		
7.	818-543C	DECAL DANGER PD GUARD MISS SML		
8.	818-556C	DECAL DANGER THROWN OBJ CUTTER		
9.	818-561C	DECAL DANGER RAISED WING HAZAR		
10.	818-555C	DECAL DANGER ROTATE BLADE		
10.	818-564C	RPBY 818-555C	Obsolete	
11.	818-830C	DECAL SAFETY COMBO SUNWEST		
12.	818-840C	DECAL DANGER ROLLOVER HAZARD		
13.	818-862C	DECAL 5 YEAR GEARBOX WARRANTY		
14.	838-094C	DECAL WARNING HYD PRESS LONG		
15.	838-475C	DECAL BLADE ROTATION		
16.	838-588C	FOLDING CUTTER SPEED WARNING		
17.	838-614C	DECAL REFLECTOR RED 2X9		
18.	838-615C	DECAL REFLECTOR AMBER 2X9		
19.	848-159C	DECAL LANDPRIDE 10" BROWN/GOLD		
20.	848-631C	DECAL LANDPRIDE 24" GREEN	BEIGE UNIT	
20.	848-128C	DECAL LANDPRIDE 25-GOLD	GREEN / ORNGE / RED UNITS	
21.	848-637C	DECAL RC2512 GREEN	BEIGE UNIT	
21.	848-638C	DECAL RC2512 GOLD	GREEN / ORNGE / RED UNITS	
22.	858-361C	DECAL RANGER 2		
23.	858-381C	DECAL JACK ADJUSTMENT		
24.	858-558C	DECAL, CAUTION DRVLN DAMAGE		

Land Pride Touch-up Paints

Applies to RC2512 S/N 945550-, RC2512 SERIES 2 S/N 945551+

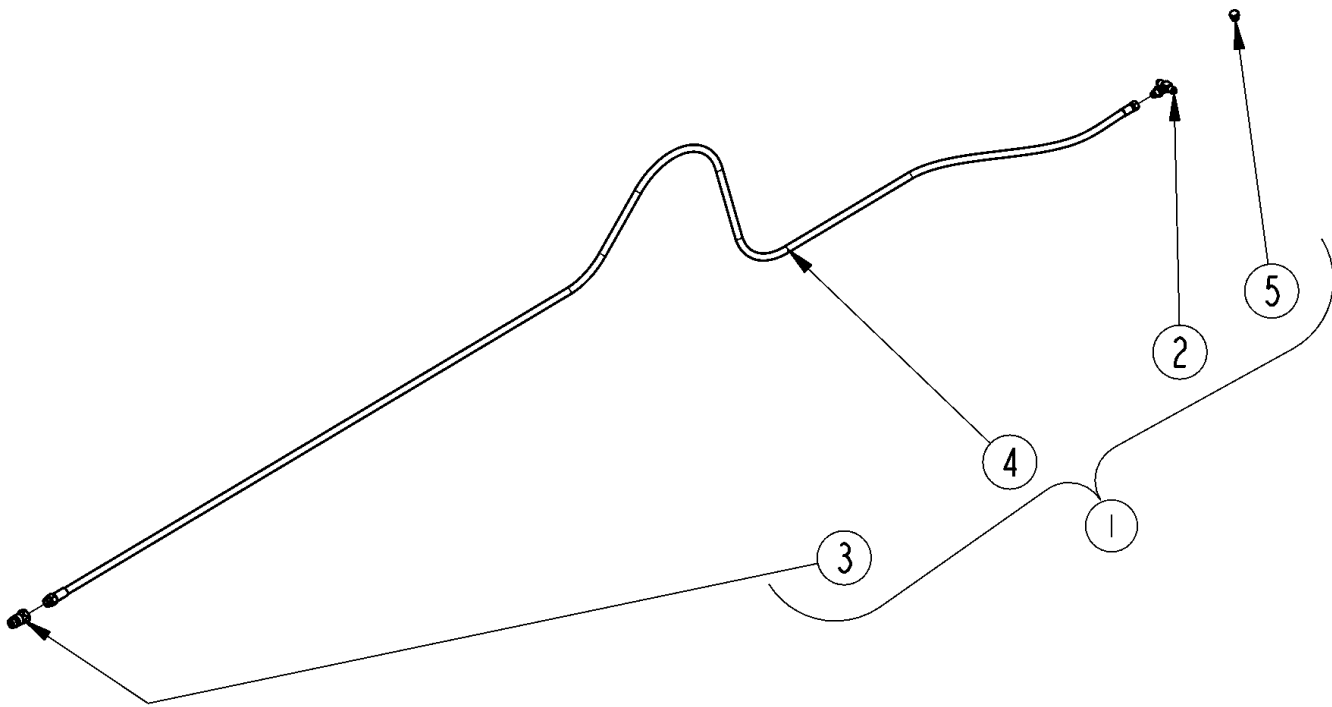
No diagram associated with this Parts List

Land Pride Touch-up Paints**Applies to RC2512 S/N 945550-, RC2512 SERIES 2 S/N 945551+**

Ref	Part No.	Part Description	Comments	Revision
1.	821-011C	LP BEIGE SPRAY CAN	Spray can	
1.	821-070C	GLOSS BLACK SPRAY CAN	Spray can	
1.	821-054C	MED. RED SPRAY TRCK/CTR	Spray can	
1.	821-058C	GREEN SPRAY CUTTERS	Spray can	
1.	821-066C	ORANGE SPRAY CAN	Spray can	
1.	821-067C	BLUE SPRAY CAN	Spray can	
1.	821-080C	PAINT ALUMINUM/ZINC SPRAY CAN	Spray can	
2.	821-011CTU	LP BEIGE TOUCH-UP 5OZ	Touch-up bottle with brush	
2.	821-070CTU	GLOSS BLACK TOUCH-UP 5OZ	Touch-up bottle with brush	
2.	821-054CTU	MED RED TOUCH-UP 5OZ	Touch-up bottle with brush	
2.	821-058CTU	GREEN TOUCH-UP 5OZ	Touch-up bottle with brush	
2.	821-066CTU	ORANGE TOUCH-UP 5OZ	Touch-up bottle with brush	
2.	821-067CTU	BLUE TOUCH-UP 5OZ	Touch-up bottle with brush	
2.	821-080CTU	PAINT ALUMINUM/ZINC TOUCH UP	Touch-up bottle with brush	
3.	821-011CQT	LP BEIGE QUART	Quart can	
3.	821-070CQT	GLOSS BLACK QUART	Quart can	
3.	821-054CQT	MED RED QUART	Quart can	
3.	821-058CQT	GREEN QUART	Quart can	
3.	821-066CQT	ORANGE QUART	Quart can	
3.	821-067CQT	BLUE QUART	Quart can	
3.	821-080CQT	PAINT ALUMINUM/ZINC QUART	Quart can	
4.	821-011CGL	LP BEIGE GALLON	Gallon can	
4.	821-070CGL	GLOSS BLACK GALLON	Gallon can	
4.	821-054CGL	MED RED GALLON	Gallon can	
4.	821-058CGL	GREEN GALLON	Gallon can	
4.	821-066CGL	ORANGE GALLON	Gallon can	
4.	821-067CGL	BLUE GALLON	Gallon can	
4.	821-080CGL	PAINT ALUMINUM/ZINC GALLON	Gallon can	

Dual Remote Plumbing Kit

Applies to RC2512 S/N 945550-, RC2512 SERIES 2 S/N 945551+



30712

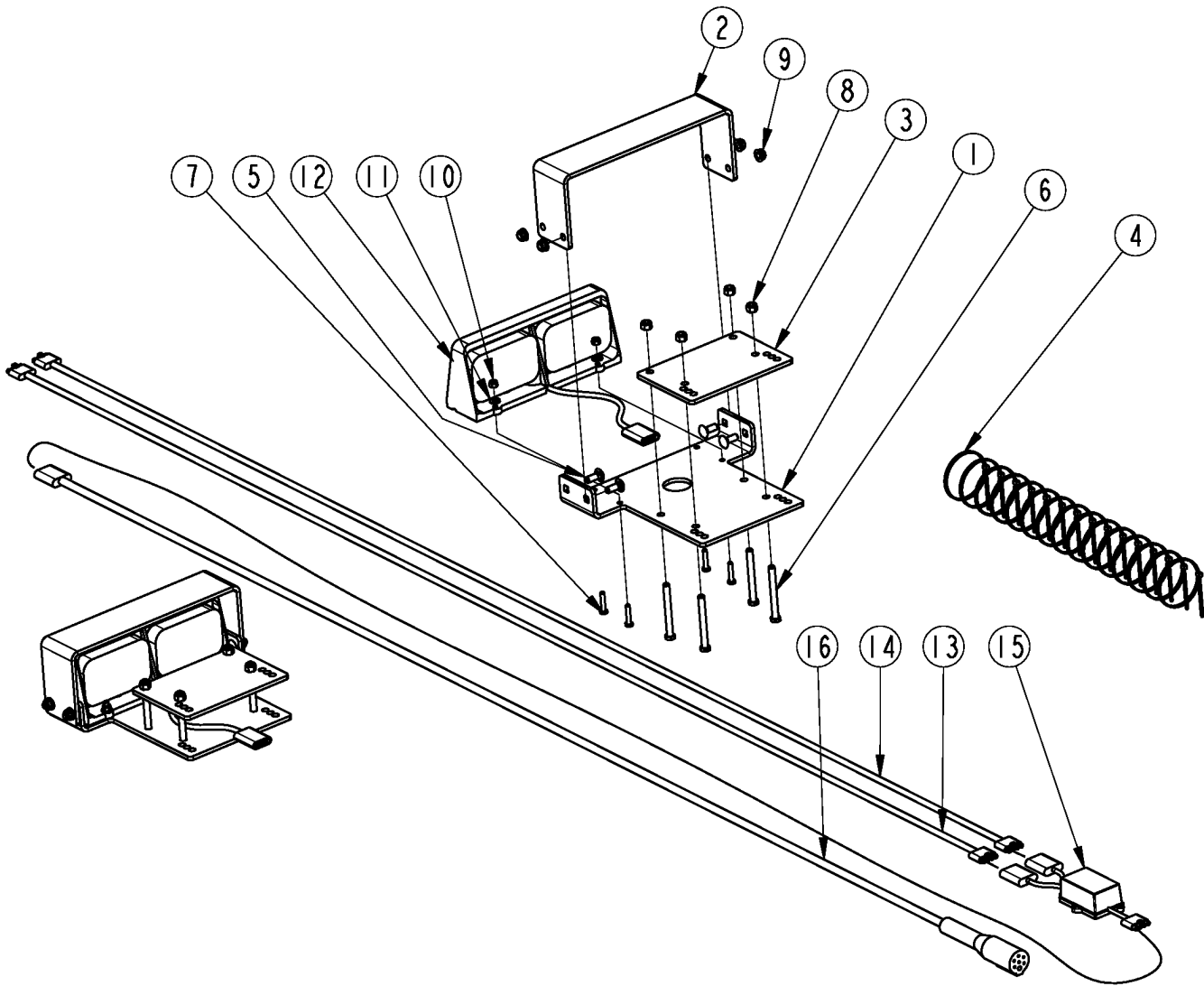
Dual Remote Plumbing Kit

Applies to RC2512 S/N 945550-, RC2512 SERIES 2 S/N 945551+

Ref	Part No.	Part Description	Comments	Revision
	Dwg 30712	Drawing Image Number		
1.	330-760K	KIT, RC2512 DUAL REMOTE HYD		
2.	811-356C	TE 9/16MJIC BH 9/16MJIC 9/16MJ		
3.	811-394C	CP 3/4FORB MALE QD POPPET TYPE		
4.	811-633C	HH3/8R1 162 3/4MORB 9/16 FJIC		
5.	811-675C	PL 9/16MORB HEX HEAD		

Folding Cutter Lights 2" Retro-Fit (334-575A)

Applies to RC2512 S/N 945550-, RC2512 SERIES 2 S/N 945551+



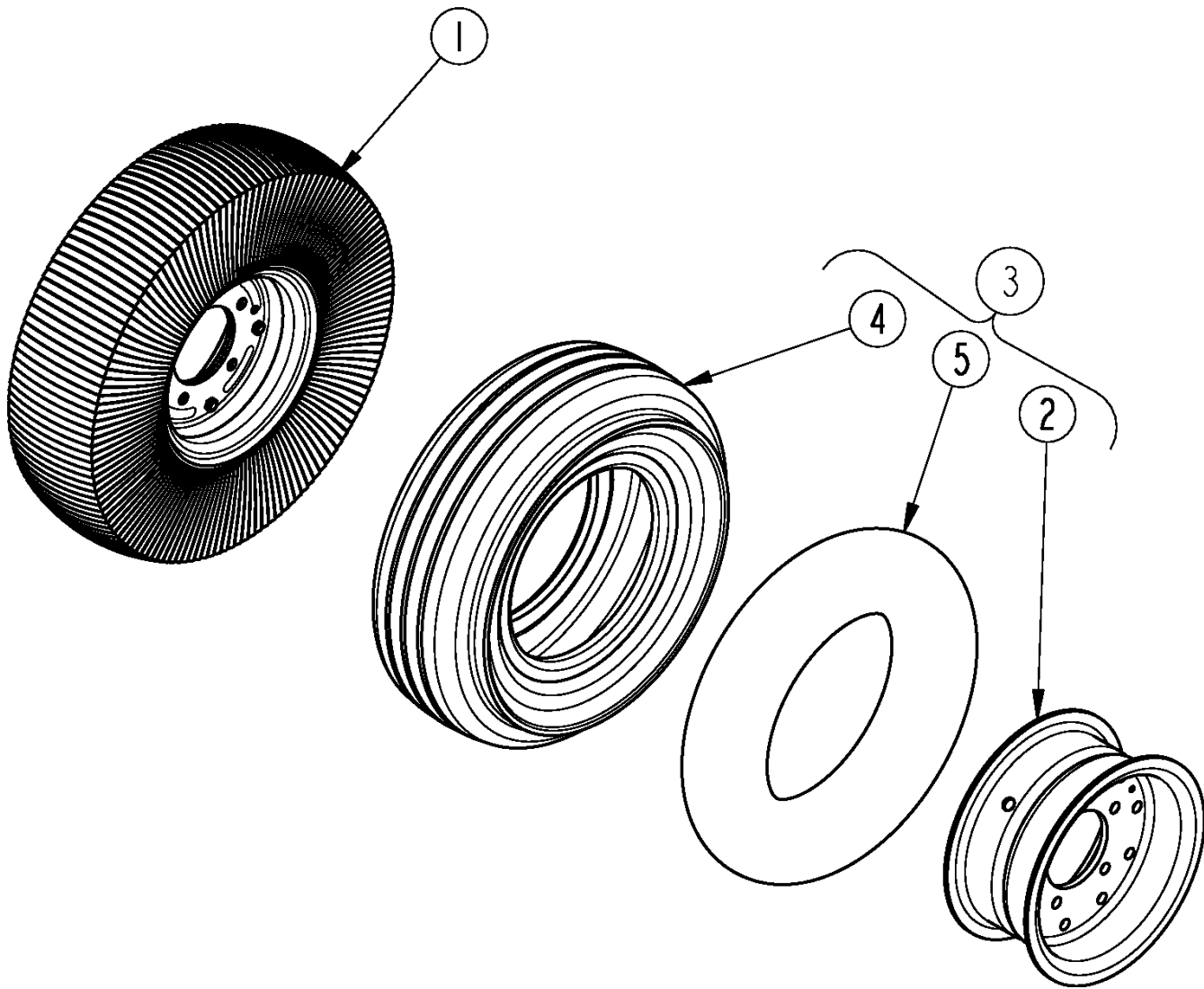
37521

Folding Cutter Lights 2" Retro-Fit (334-575A)**Applies to RC2512 S/N 945550-, RC2512 SERIES 2 S/N 945551+**

Ref	Part No.	Part Description	Comments	Revision
	Dwg 37521	Image No.		
	334-442L	FOLDING CUTTER LIGHT KIT 2"		
	334-574M	ROTARY CUTTER LIGHT KIT MANUAL *		
1.	330-965D	LIGHT MNT		
2.	330-966D	LIGHT GUARD		
3.	330-967D	LIGHT MNT CLAMP		
4.	800-060C	CABLE TIE .19X14.25 3DIA 50LB		
5.	802-015C	RHSNB 3/8-16X1 GR5		
6.	802-147C	HHCS 3/8-16X3 1/2 GR5		
7.	802-224C	HHCS 1/4-20X1 1/4 GR5		
8.	803-078C	NUT LOCK 3/8-16 NYLON INSERT		
9.	803-209C	NUT FLANGE LOCK 3/8-16 PLT		
10.	803-255C	NUT HEX NYLOCK 1/4-20		
11.	804-007C	WASHER FLAT 1/4 SAE PLT		
12.	891-522C	DUAL LED LIGHT LH	Complete light assembly	
12.	J-37-R	RED LED LENS MODULE	Red lens	
12.	J-37-A	AMBER LED LENS MODULE	Amber lens	
12.	J-AC1-15-B	BLACK LENS COVER	Black lens	
12.	891-523C	DUAL LED LIGHT RH	Complete light assembly	
12.	J-37-R	RED LED LENS MODULE	Red lens	
12.	J-37-A	AMBER LED LENS MODULE	Amber lens	
12.	J-AC1-15-B	BLACK LENS COVER	Black lens	
13.	891-529C	LIGHT WIRE HARNESS 8'		
14.	891-530C	RPBY 891-529C	Obsolete	
15.	891-531C	ENHANCE MODULE		
16.	891-532C	LEAD WIRE HARNESS 8'		

RC2512 Tire Options

Applies to RC2512 S/N 945550-, RC2512 SERIES 2 S/N 945551+



35877

RC2512 Tire Options

Applies to RC2512 S/N 945550-, RC2512 SERIES 2 S/N 945551+

Ref	Part No.	Part Description	Comments	Revision
	Dwg 35877	Drawing Image Number		
1.	814-265C	TIRE & WHL LAM. 6X9X21(5-BOLT)		
2.	814-296C	RIM 2PC 5BLT 10X6		
3.	814-394C	AC TIRE 20.5X6.75-10 2PC 5-BLT		
4.	814-395C	TIRE 20.5X6.75-10 (814-394C)		
5.	814-396C	TUBE FOR 20.5X6.75-10(814-394C)		



Part Number Index

The Part Number Index is a numeric index of all part numbers included in this manual. The index shows what page(s) the part is used on.

Part Number	Page	Part Number	Page	Part Number	Page	Part Number	Page
0.135.5000.00	49, 51, 53, 55	168556	43	330-309D	35	334-066H	23
0.135.6008.00	49, 51	17-042	59	330-311D	21	334-073K	33
0.135.7105.00	49, 51	17-043	59	330-316D	11	334-442L	19, 81
0.139.7102.00	53, 55	17-044	59	330-674H	11	334-574M	81
0.209.0300.00	49, 51	17-045	59	330-674H81	11	35141-2397	41
0.209.0302.00	53, 55	17-046	59	330-674H82	11	355154	45
0.209.1300.00	49, 51, 53, 55	17-047	59	330-674H83	11	359471	45
0.209.2002.00	49	18-120	59	330-675H	15	365305	45
0.209.2003.00	51	180.014.022	39, 47	330-675H81	15	380371	45
0.209.2005.00	53, 55	180.014.232	47	330-675H82	15	390404	45
0.209.5001.00	53, 55	180.014.233	47	330-675H83	15	391350	43
0.209.7100.00	49, 51	180.014.240	47	330-676H	15	392728	43
0.209.7101.00	53, 55	180.014.625	39, 47	330-676H81	15	396669	43
0.209.7102.00	53, 55	180.015.019	39, 47	330-676H82	15	398468	37, 43, 45
0.248.7500.00	53, 55	180.015.021.1	39, 47	330-676H83	15	398481	37
0.263.2004.00	57	180.015.377	39, 47	330-677H	27	399384	45
0.263.3002.00	57	180.016.790	47	330-678H	29	399385	45
0.263.5001.00	57	180.019.019	39, 47	330-691H	21	399386	45
0.265.0300.00	57	186561	63, 65, 67	330-697H	11, 13	3R1410	61
0.265.1501.00	57	19-15134	41	330-698H	15, 17	491608	65, 67
0.265.5203.00	57	190.000.020	39	330-699K	31, 33	491668	63
0.267.7500.00	57	190.000.031	39	330-700K	31, 33	492218	63, 65, 67
0.624.7101.00	53, 55	190.000.047	39	330-701K	31	492650	63, 65, 67
0.709.7500.00	57	190.000.098	47	330-703K	35	492688	63
0.777.7500.00	53, 55	190.000.099	47	330-704K	35	492699	63, 65, 67
0.781.7102.00	53, 55	190.000.915	47	330-705H	21	494382	67
02-222	59	195266	45	330-706H	25	494391	63
02-223	59	1M6010	61	330-707K	25	4M4104	61
020452	43	20-124	59	330-723L	15, 17	5M4124	61
020467	43	200-001D	27, 29	330-735S	71	620271	67
020614	45	21-008	59	330-736S	25	639542	65
021160	45	21-012	59	330-760K	79	6R1146-ADI	61
03-10326	41	21-018	59	330-778H	11	7M4324	61
03-15450	41	21-037	59	330-785H	7	8.0.1.00870	53, 55
03-180	59	229524X0	37	330-965D	19, 81	8.0.9.00026	53, 55
03-181	59	229776X0	45	330-966D	19, 81	8.0.9.01241	53, 55
04-112	59	258818	63	330-967D	19, 81	8.1.1.00449	57
04-136	59	258851	67	331-068H	9	8.1.1.00501	49, 51, 53, 55
044321	45	26-15120	41	331-347D	17	8.2.2.00515	11, 15, 17, 49, 51, 53, 55
05-049	59	26-15159	41	331-348D	17	8.3.2.00409	11, 15, 17, 49, 51, 53, 55
05-050	59	28119800	45	331-352D	13	8.3.7.00140	57
06-038	59	28119900	45	331-353D	13	8.4.1.00993	49, 51, 53, 55
07-022	59	292667	65	331-355D	13	8.4.7.00516	53, 55
07-025	59	292668	65, 67	331-370D	13	8.5.1.00680	49, 51, 57
087279	45	294765	65	331-371D	33	8.5.2.00030	49, 51, 57
09-004	59	2A0012	61	331-465H	21	8.5.2.00131	49, 51, 53, 55
09-011	59	2A0014	61	331-470A	19	8.5.2.00332	57
09-052	59	2A0024	61	331-527D	33	8.5.3.00955	49, 51, 53, 55
1.135.7100.00	49, 51, 53, 55	2A0132	61	331-837H	13	8.5.3.01012	57
11-20456	41	2A0208	61	331-837H81	13	8.6.5.00006	49, 51
130556	63, 65, 67	2M4422	61	331-837H82	13	8.6.6.00201	49, 51, 53, 55, 57
134953	63	301.005	43	331-837H83	13	8.6.7.00269	57
135539WS	43	312-075D	7	331-839H	23	8.7.0.00744	49, 51, 53, 55
135995	63	312-602D	15	331-843H	17	8.7.1.00152	49, 51, 53, 55
141.024.430.1	47	318-008H	25	331-843H81	17	8.7.1.00748	49, 51, 53, 55
141.024.757.1	39	318-018H	71	331-843H82	17	8.7.3.00331	57
142.240.5087421	47	318-264D	35	331-843H83	17	8.7.3.00398	57
146.241.057.1	39	318-337D	31, 33	331-845H	17	800-001C	21, 23, 27, 29
148000	67	318-401H	11	331-845H81	17	800-060C	19, 81
151.013.517.1	39	318-586A	7, 9	331-845H82	17	800-080C	21, 23, 27, 29
151.014.100.1	39	318-920S	13	331-845H83	17	800-117C	69
151.014.101.1	39	330-291D	71	331-885H	23	801-023C	63, 65
151.014.201	39, 47	330-294D	71	331-921S	13	802-005C	11, 13
151.014.756.1	39, 47	330-301D	31, 33	331-922S	13	802-007C	11, 13
151.014.757.1	39	330-302D	31, 33	331-950K	33	802-015C	19, 31, 33, 35, 81
151.015.424.1	39	330-303D	31, 33	334-004H	23	802-017C	21, 23
165.000.501	39, 47	330-304D	31	334-006A	23	802-022C	15, 17
165.000.622	39, 47	330-305D	31, 33	334-007A	23	802-023C	61
165.000.628	47	330-307D	35	334-049H	23		
165.000.842	39	330-308D	35	334-050H	23		

Table of Contents Part Number Index



Part Number Index (continued)

Part Number	Page	Part Number	Page	Part Number	Page	Part Number	Page
802-032C	11, 13	810-200C	61, 63, 69	821-067CGL	77	891-532C	19, 81
802-055C	13, 17	810-210C	61	821-067CQT	77	92-25452	41
802-057C	11, 15	810-722C	65, 69	821-067CTU	77	93-25452	41
802-070C	23	810-818C	69	821-070C	77	96-25452	41
802-074C	21	810-882C	67, 69	821-070CGL	77	97-25452	41
802-096C	21, 23	810-886C	63	821-070CQT	77	98-25452	41
802-098C	21, 23, 27, 29	811-062C	69	821-070CTU	77	99-25452	41
802-099C	27, 29	811-180C	69	821-080C	77	A.248.500	49, 51, 53, 55
802-106C	11, 13, 23	811-337C	69	821-080CGL	77	A.267.503	49, 51
802-116C	21	811-356C	79	821-080CQT	77	A244.501	49, 51
802-147C	19, 81	811-394C	69, 79	821-080CTU	77	Dwg 10219	61
802-155C	33	811-439C	69	822-020C	27, 29	Dwg 18782	57
802-212C	25	811-633C	69, 79	822-021C	27, 29	Dwg 25901	63
802-224C	19, 81	811-675C	79	822-033C	27, 29	Dwg 30603	7
802-254C	71	812-388C	71	822-034C	27, 29	Dwg 30605	11
802-269C	71	8123.340.378.11	47	822-166C	49, 51, 53, 55	Dwg 30606	15
802-277C	7, 9	8123.440.737.11	47	822-167C	53, 55	Dwg 30608	21
802-314C	15, 17	814-265C	83	822-188C	49, 51, 57, 59	Dwg 30609	27
802-365C	23	814-296C	83	822-189C	57	Dwg 30610	29
802-603C	15, 17	814-394C	83	822-190C	57	Dwg 30611	25
802-715C	71	814-395C	83	82200515	13	Dwg 30613	35
802-779C	27, 29	814-396C	83	826-240C	15, 17	Dwg 30614	73
802-967C	13	8146.241.057.1	47	826-280C	11, 13, 57, 59	Dwg 30615	69
803-014C	15, 17, 63, 65, 67	815-237C	27, 29	826-390C	11, 15, 49	Dwg 30616	71
803-019C	23, 27, 29	815-242C	27, 29	826-487C	11, 13, 15, 17, 49, 51, 53, 55	Dwg 30643	41
803-020C	23	815-243C	27, 29	826-491C	11, 13, 17, 49, 51, 53, 55	Dwg 30644	37
803-031C	23	815-244C	27, 29	826-497C	15	Dwg 30646	49
803-038C	21, 23, 27, 29, 71	8151.015.424.1	47	826-519C	11, 13	Dwg 30647	51
803-053C	27, 29	816-481C	11, 13	826-597C	11, 13	Dwg 30712	79
803-075C	25	816-497C	27, 29	826-665C	11, 37	Dwg 30739	43
803-078C	19, 81	817-259C	11	826-667C	15, 45	Dwg 30846	65
803-088C	13	818-045C	73, 75	826-677C	15, 51	Dwg 33915	59
803-147C	71	818-130C	73, 75	826-683C	11, 13, 41	Dwg 35301	67
803-148C	11, 15, 21, 71	818-142C	73, 75	826-774C	11, 13, 15, 17, 53	Dwg 35877	83
803-168C	23	818-190C	73, 75	826-775C	15, 17, 55	Dwg 37352	9
803-169C	11, 13	818-229C	73, 75	826-813C	13, 39	Dwg 37484	13
803-170C	7, 9	818-230C	73	826-814C	17, 47	Dwg 37485	23
803-181C	23	818-276C	73, 75	83200409	13	Dwg 37486	33
803-198C	15, 17, 31, 33, 35	818-540C	45	837-101C	13, 17	Dwg 37487	39
803-209C	19, 21, 23, 81	818-543C	73, 75	838-094C	73, 75	Dwg 37488	47
803-255C	11, 13, 19, 81	818-552C	45	838-475C	73, 75	Dwg 37489	75
803-258C	21	818-555C	73, 75	838-588C	73, 75	Dwg 37490	17
803-263C	11, 13, 15, 17, 41	818-556C	73, 75	838-614C	73, 75	Dwg 37521	19, 81
803-265C	25	818-561C	73, 75	838-615C	73, 75	Dwg 37563	53
803-280C	43	818-564C	73, 75	840-273C	11, 13, 15, 17	Dwg 37564	55
803-299C	25	818-830C	73, 75	848-128C	73, 75	dwg30612	31
803-310C	27, 29	818-840C	73, 75	848-159C	73, 75	dwg30645	45
804-007C	11, 13, 19, 81	818-862C	73, 75	848-631C	73, 75	HM.129	37, 45
804-009C	11, 13, 15, 17	8180.014.232	47	848-637C	73, 75	J-37-A	19, 81
804-010C	11, 13, 15, 17	8180.014.233	47	848-638C	73, 75	J-37-R	19, 81
804-011C	21, 23	8180.014.240	47	848-676C	73	J-AC1-15-B	19, 81
804-013C	15, 17	820-198C	7, 9	858-064C	73	N/A	63, 65, 67
804-015C	11, 23	820-437C	7, 9	858-065C	73		
804-017C	71	820-438C	7, 9	858-066C	73		
804-025C	25	821-011C	77	858-361C	75		
804-027C	23	821-011CGL	77	858-381C	75		
804-028C	21, 23	821-011CQT	77	858-558C	75		
804-029C	71	821-011CTU	77	86810-1008	41		
804-147C	7, 9	821-054C	77	890-118C	21, 23		
804-157C	13	821-054CGL	77	890-175C	35		
804-216C	27, 29	821-054CQT	77	890-182C	21		
805-045C	25	821-054CTU	77	890-341C	31, 33, 35		
805-083C	25	821-058C	77	890-400C	31, 33		
805-088C	71	821-058CGL	77	891-246C	21, 23		
805-104C	71	821-058CQT	77	891-282C	13		
805-126C	13	821-058CTU	77	891-522C	19, 81		
805-131C	71	821-066C	77	891-523C	19, 81		
805-246C	27, 29	821-066CGL	77	891-529C	19, 81		
807-023C	21, 23	821-066CQT	77	891-530C	19, 81		
807-271C	71	821-066CTU	77	891-531C	19, 81		
810-119C	61	821-067C	77				



Great Plains Manufacturing, Inc.

Corporate Office: P.O. Box 5060
Salina, Kansas 67402-5060 USA

www.landpride.com
