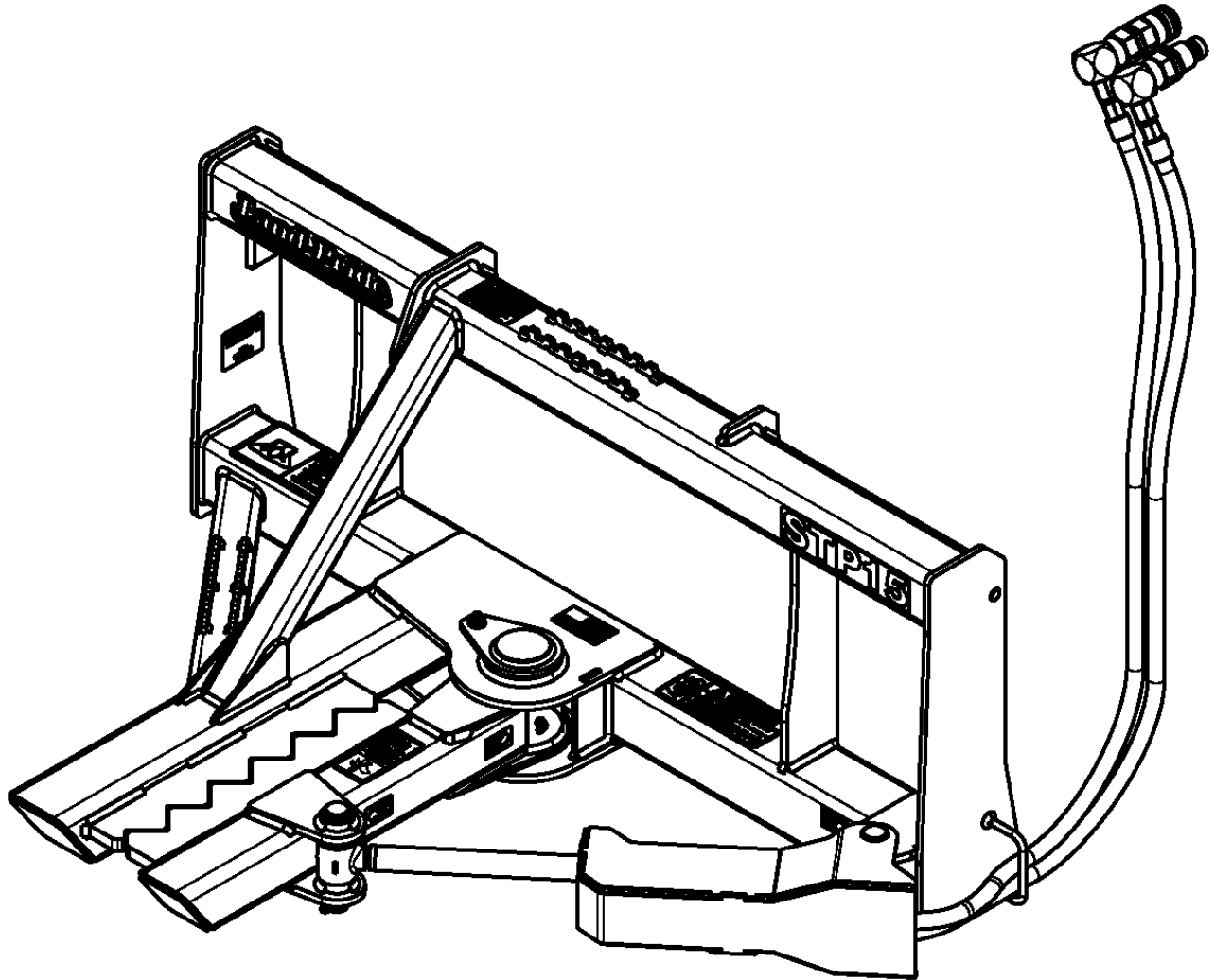


# Tree/Post Puller

STP15



37300

**328-222P**  
**Parts Manual**



Read the Operator's Manual entirely. When you see this symbol, the subsequent instructions and warnings are serious - follow without exception. Your life and the lives of others depend on it!

© Copyright 2019 Printed 07/16/19

*Cover photo may show optional equipment not supplied with standard unit.*





# Table of Contents

---

<b>Section 1: Introduction.....</b>	<b>4</b>
Using This Manual.....	4
Manual Replacement Information.....	4
Manual Revisions.....	4
Touch-up Paint.....	4
Hardware Legend.....	5
Replacement Hardware.....	5
Serial Numbers.....	5
Part Number Service Coding.....	5
<b>Section 2: Frame.....</b>	<b>6</b>
Frame & Pincher Arm.....	6
<b>Section 3: Hydraulics.....</b>	<b>8</b>
Hydraulic Assembly.....	8
Hydraulic Cylinder (851-334C).....	10
<b>Section 4: Decals.....</b>	<b>12</b>
Decal Placement.....	12
Land Pride Touch-up Paints.....	14
<b>Part Number Index.....</b>	<b>16</b>

© Copyright 2019. All rights reserved.

Land Pride provides this publication “as is” without warranty of any kind, either expressed or implied. While every precaution has been taken in the preparation of this manual, Land Pride assumes no responsibility for errors or omissions. Neither is any liability assumed for damages resulting from the use of the information contained herein. Land Pride reserves the right to revise and improve its products as it sees fit. This publication describes the state of this product at the time of its publication, and may not reflect the product in the future. The illustrations in this manual are not intended for safe and proper assembly or disassembly of equipment. The illustrations are intended for ordering parts only.

Land Pride is registered trademark.

All other brands and product names are trademarks or registered trademarks of their respective holders.

*Printed in the United States of America.*



## Alphabetized Table of Contents

---

<b>D</b>	
Decal Placement.....	12
<b>F</b>	
Frame & Pincher Arm.....	6
<b>H</b>	
Hydraulic Assembly.....	8
Hydraulic Cylinder (851-334C).....	10
<b>L</b>	
Land Pride Touch-up Paints.....	14

# General Information

## Using This Manual

This manual is divided into sections. The first section contains General Information. The remaining sections divide the machine into segments (i.e. Frames, Drives, Hydraulics, etc.) which illustrate and list all parts. A Parts Number Index is located at the back of the book.

The Land Pride parts in this manual are specially designed for this machine and should be replaced with Land Pride parts only.

The information in this manual is current at time of printing. Some parts may change to assure top performance.

Right-hand and left-hand as used in this manual are determined by facing the direction the machine will travel while in use.

Below is an example of two facing pages from a parts manual. Familiarize yourself with the type of information contained on these pages.

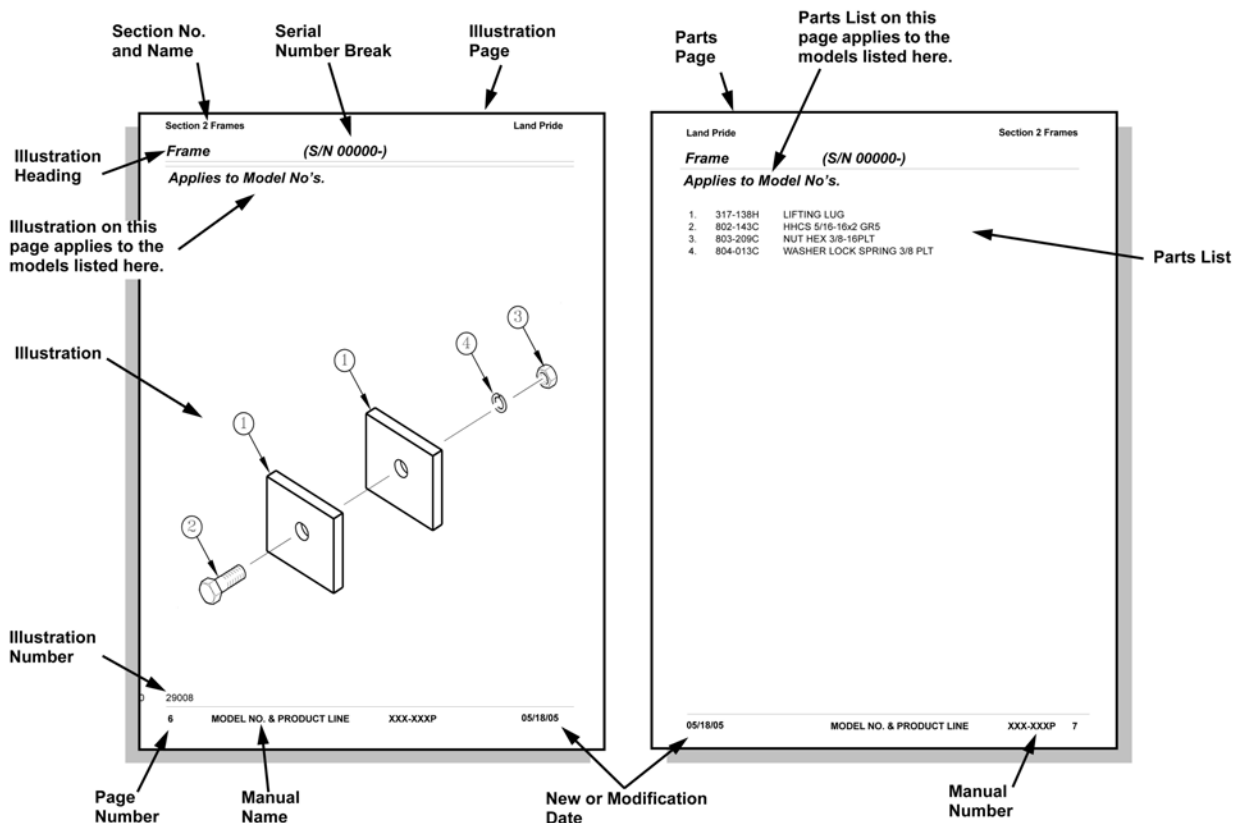
## Manual Replacement Information

Replacement manuals are available. Refer to our website at [www.landpride.com](http://www.landpride.com) or e-mail us at [lit@landpride.com](mailto:lit@landpride.com) for additional information. Our website continues to provide the most up-to-date manuals available.

## Touch-up Paint

Repaint parts where paint is worn or scratched to prevent rust. Aerosol cans and touch-up bottles with brush applicator are available through your local dealer. Also available are quart and gallon size paints. Add QT or GL to end of the Aerosol P/N.

Land Pride color descriptions and part numbers are listed on the "Land Pride Touch-up Paints" page in the "Decals" section of this book. Color options vary by product.



## General Information

### Hardware Legend

<b>AR</b>	As Required
<b>BLADE</b>	Blade Bolt
<b>C</b>	Cap Screw
<b>CP</b>	Cotter Pin
<b>CPHSSS</b>	Cup Point Hex Socket Set Screw
<b>CPSHSS</b>	Cup Point Square Head Set Screw
<b>CPSQHSS</b>	Cup Point Square Head Set Screw
<b>CRFCHMS3</b>	Cross Recess Flat Countersunk Head Machine Screw
<b>CRPHMS</b>	Cross Recess Pan Head Machine Screw
<b>CRPHTF</b>	Cross Recess Pan Head Thread Forming
<b>CRRHMS</b>	Cross Recess Round Head Machine Screw
<b>CRTHMS</b>	Cross Recess Truss Head Machine Screw
<b>CSNB</b>	Countersunk Square Neck Bolt
<b>FHMS</b>	Flat Head Machine Screw
<b>FTC</b>	Full Thread Cap Screw
<b>H</b>	Hex Nut
<b>HCLN</b>	Hex Center Lock Nut
<b>HFLCS</b>	Hex Flange Lock Cap Screw
<b>HFS</b>	Hex Flange Screw
<b>HFSLN</b>	Hex Flange Serrated Lock Nut
<b>HFSS</b>	Hex Flange Serrated Screw
<b>HHCS</b>	Hex Head Cap Screw or Metric Bolt
<b>HSBHCS</b>	Hex Socket Button Head Cap Screw
<b>HSFCHCS</b>	Hex Socket Flat Countersunk Head Cap Screw
<b>HSHCS</b>	Hex Socket Head Cap Screw
<b>HSSS</b>	Hex Socket Head Screw
<b>HTLN</b>	Hex Top Lock Nut
<b>HWHCS</b>	Hex Washer Head Cap Screw

<b>HWHMS</b>	Hex Washer Head Machine Screw
<b>HXBHCS</b>	Hex Socket Button Head Cap Screw
<b>J</b>	Hex Jam Nut
<b>JIC</b>	37 Degree Tapered Thread
<b>L</b>	Helical Spring Lock Washer
<b>LUG</b>	Lug Bolt
<b>NFC</b>	National Fine Cap Screw
<b>NPSM</b>	National Pipe Straight Mechanical
<b>NPTF</b>	National Pipe Taper Fuel
<b>P</b>	Wide Plain Washer
<b>PHMS</b>	Pan Head Machine Screw
<b>PLOW</b>	Plow Bolt
<b>RHMS</b>	Round Head Machine Screw
<b>RHSNB</b>	Round Head Square Neck Bolt
<b>SCREW LEVELING</b>	Leveling Screw
<b>SCREW THUMB</b>	Thumb Screw
<b>SCREW WELD</b>	Weld Screw
<b>SFCHMS</b>	Slotted Flat Countersunk Head Machine Screw
<b>SFHMS</b>	Slotted Fillister Head Machine Screw
<b>SP</b>	Special
<b>SP SCREW</b>	Special Screw
<b>SQHSS</b>	Square Head Set Screw
<b>SRHMS</b>	Slotted Round Head Machine Screw
<b>SSS</b>	Socket Set Screw
<b>STCS</b>	Self Tapping Cap Screw
<b>STHMS</b>	Slotted Truss Head Machine Screw
<b>WHEEL</b>	Wheel Studs and Hub Long Bolts
<b>WING</b>	Wing Bolt

### Replacement Hardware

The **Hardware Legend** above lists hardware abbreviations used in the parts list. All bolts and nuts are Grade 5 unless otherwise noted. The use of improper grades of hardware can result in personal injury, damage to equipment, or loss of property.

### Colored Replacement Parts

Land Pride offers replacement parts in factory standard colors and also on select models in Green, Orange, Red and Blue. Because of the variety of colors available, special attention must be given to the part number to prevent ordering the wrong replacement part.

A suffix number corresponding to one of the colors below must be added at the end of Land Pride's part number when ordering a replacement part with that color.

**81 . . . . . Green      83 . . . . . Red**  
**82 . . . . . Orange    84 . . . . . Blue**

For example, if you are ordering a replacement part with part number 555-555C and the part you need is red, then add the suffix 83 to the end of the number to make the part number read 555-555C83. Parts ordered without a suffix number will be supplied in factory standard colors.

### Black Replacement Parts

Some parts are factory standard black and some must be special ordered black. If your part is special ordered black, a second part number with the additional suffix number 85 on the end will be available. In this situation you must order that part with the suffix number for it to be black. Parts that are factory standard black will not have the suffix number.

### Part Number Service Coding

Within the parts list some part numbers are coded for revisions and interchangeability. See notations in revision column.

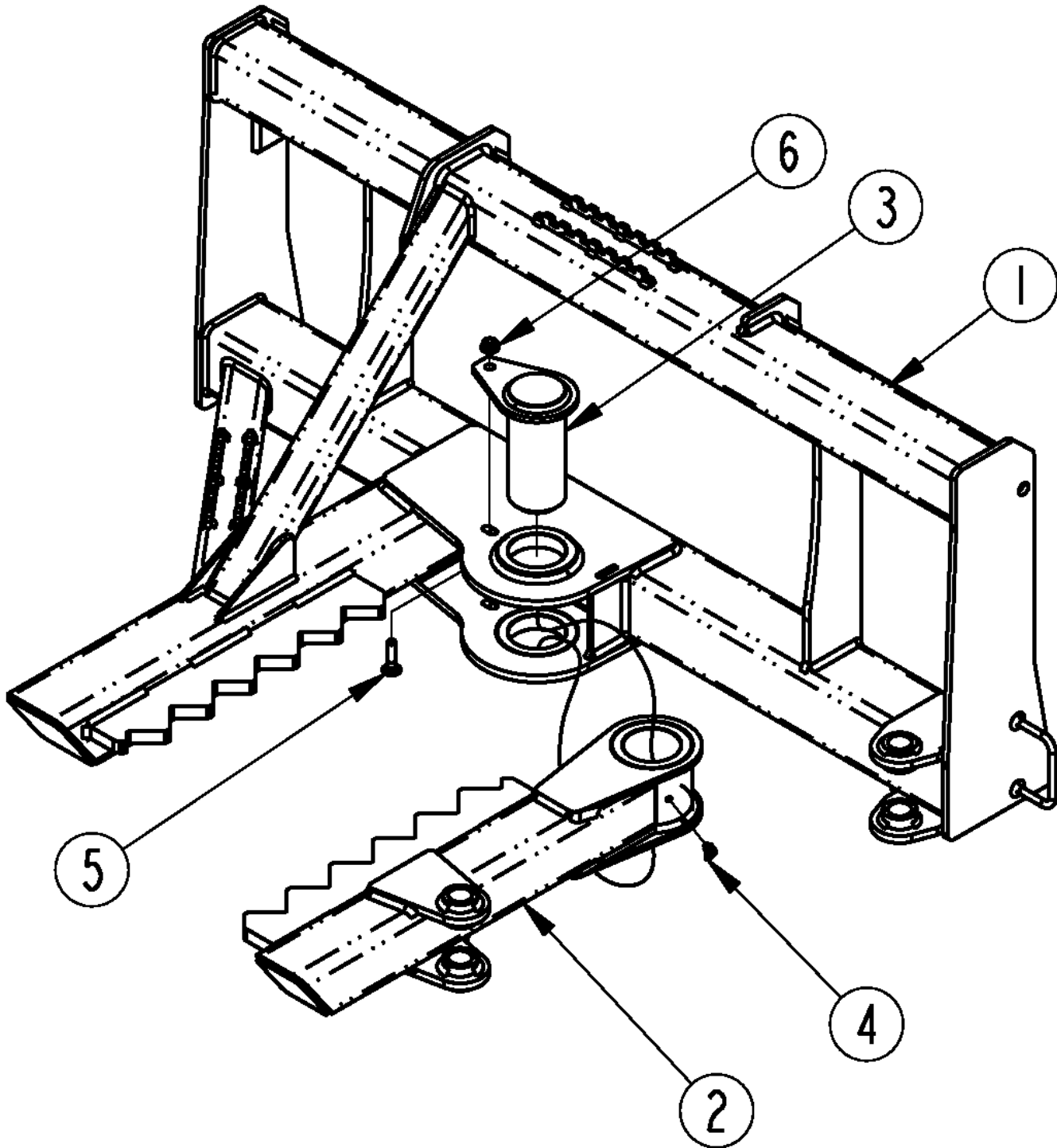
### Serial Numbers

Always use the serial and model number when ordering parts. Refer to the Operator's Manual for serial number plate location.

- (S/N 20001+)                      Includes serial numbers 20001 and above (to the latest number)
- (S/N 10001 to 20000)           Includes serial numbers between and including 10001 and 20000
- (S/N 10000-)                      Includes serial numbers 10000 and below (to the earliest number)

# Frame & Pincher Arm

Applies to STP15



37301

**Frame & Pincher Arm**

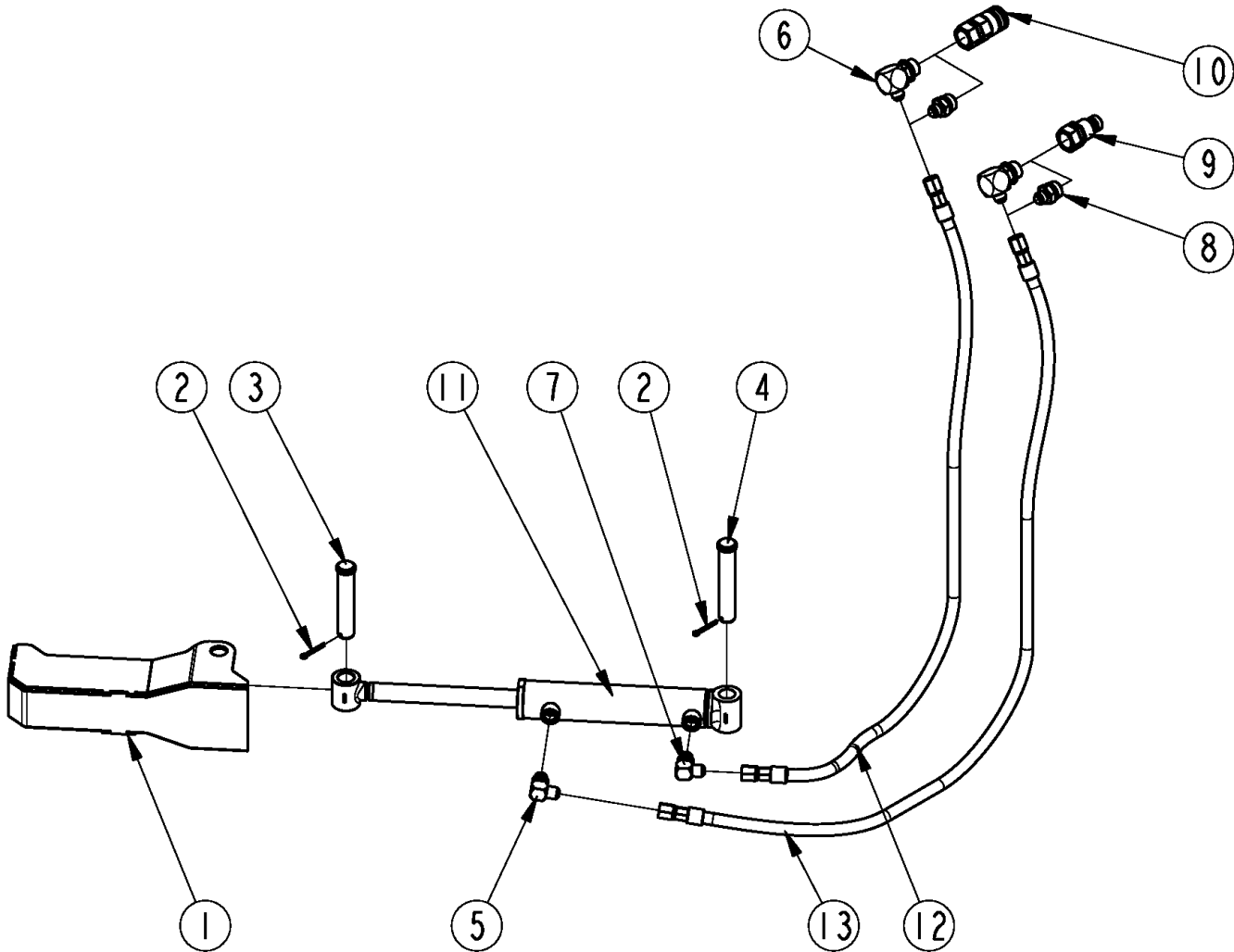
---

**Applies to STP15**

<b>Ref</b>	<b>Part No.</b>	<b>Part Description</b>	<b>Comments</b>	<b>Revision</b>
	dwg37301	Drawing Image Number		
1.	328-216H	WMT, STP15 FRAME		
2.	328-217H	WMT, PINCHER ARM		
3.	328-221H	WMT, MAIN PVT PIN		
4.	800-136C	ZERK 1/4-28 X 45 DEG SELF-TAP		
5.	802-453C	RHSNB 3/8-16X1 1/2 GR5		
6.	803-198C	NUT HEX WHIZ 3/8-16 PLT		

# Hydraulic Assembly

Applies to STP15



37302

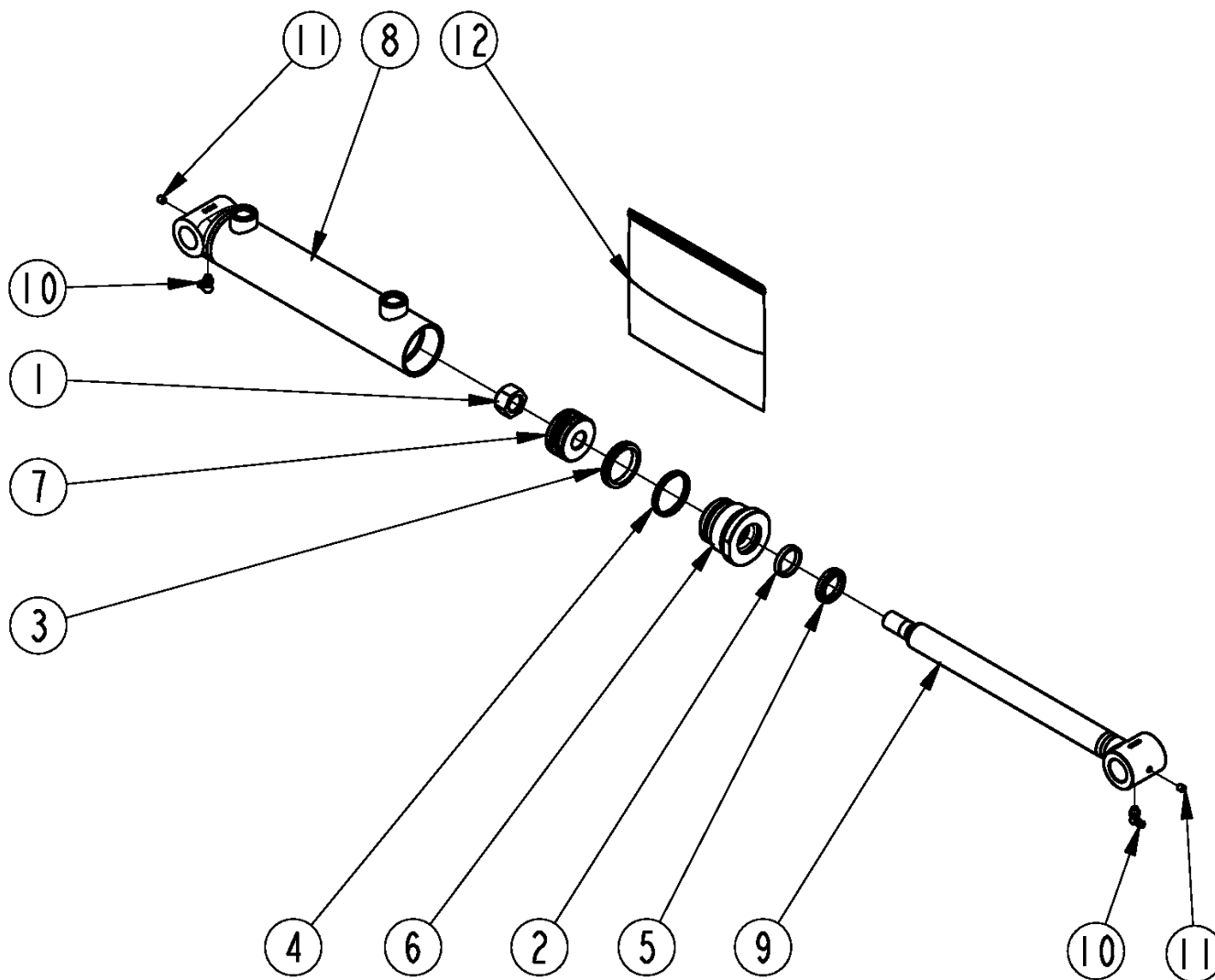


**Hydraulic Assembly****Applies to STP15**

<b>Ref</b>	<b>Part No.</b>	<b>Part Description</b>	<b>Comments</b>	<b>Revision</b>
	Dwg 37302	Drawing Image Number		
1.	328-223H	SHIELD, STP15 CYL		
2.	805-104C	PIN COTTER 3/16 X 1 1/2 PLT		
3.	805-131C	PIN CLVS 1.0X4.69 USBL		
4.	805-527C	PIN CLVS 1.0X5.19 USBL GR5		
5.	811-063C	EL 3/4MJIC 3/4MORB		
6.	811-091C	EL 3/4MJIC 1 1/16MORB		
7.	811-153C	OREL 1/16 3/4MJIC 3/4MORB		
8.	811-205C	AD 3/4MJIC 1 1/16MORB		
9.	851-947C	CUP 1 1/16FORB MALE QUICK CPLR		
9.	811-744C	RPBY 851-947C	Obsolete	
10.	851-948C	CUP 1 1/16FORB FML QUICK CPLR		
10.	811-745C	RPBY 851-948C	Obsolete	
11.	851-334C	CYL, 2X8X1.12 ROD WLD		
12.	851-335C	HH1/2R2 059 3/4FJIC TC		
13.	851-336C	HH1/2R2 061 3/4FJIC TC		

# Hydraulic Cylinder (851-334C)

Applies to STP15



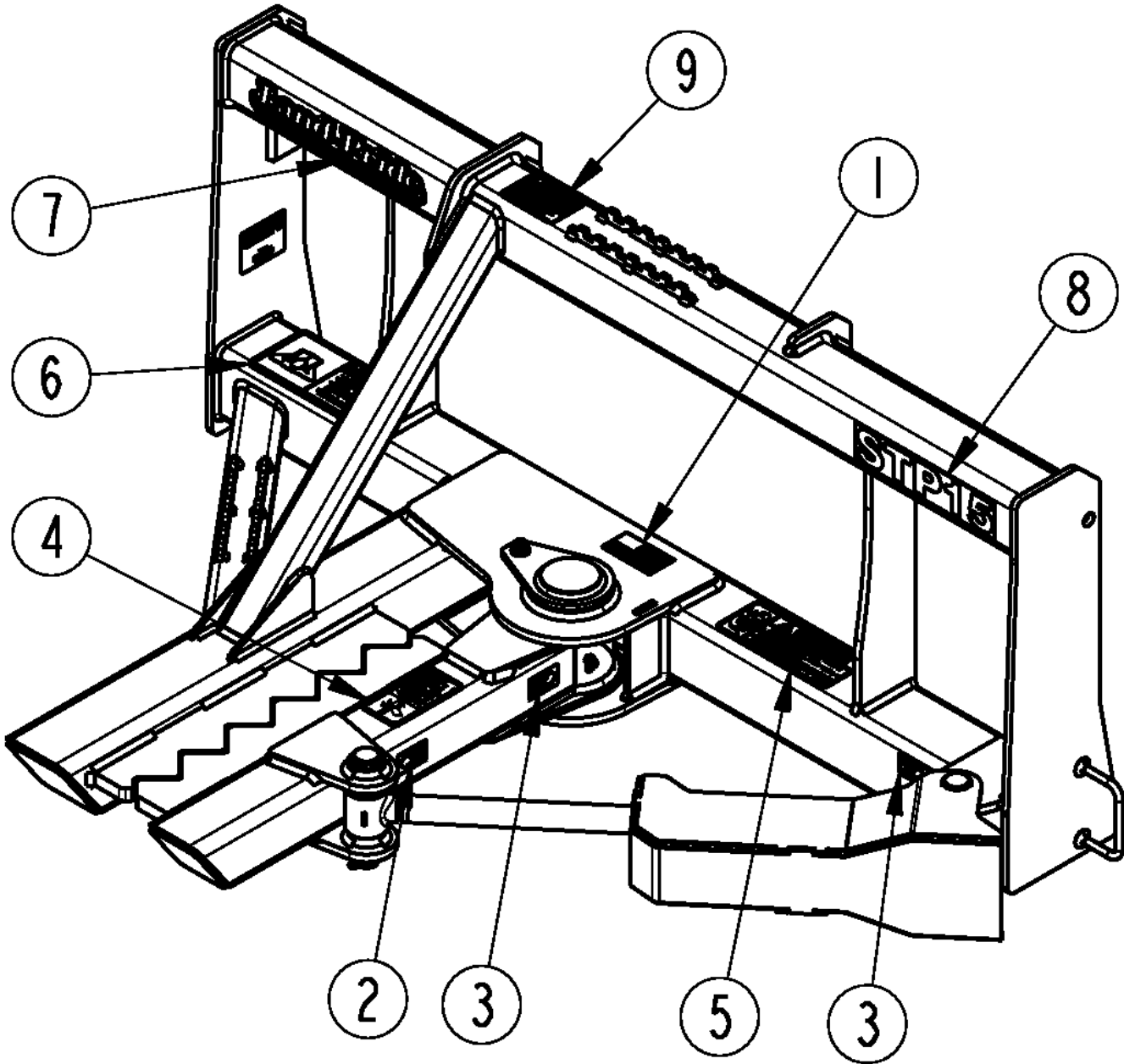
37303

**Hydraulic Cylinder (851-334C)****Applies to STP15**

<b>Ref</b>	<b>Part No.</b>	<b>Part Description</b>	<b>Comments</b>	<b>Revision</b>
	dwg37303	Drawing Image Number		
	851-334C	CYL, 2X8X1.12 ROD WLD		
1.	130556	MON PISTON NUT		
2.	n/a	MON SEAL HALLITE 605 ROD 1.13	AVAILABLE IN SEAL KIT # 11	
3.	n/a	MON SEAL PSP PISTON RING 2.00	AVAILABLE IN SEAL KIT # 11	
4.	n/a	MON SEAL DUAL 2.00-.208	AVAILABLE IN SEAL KIT # 11	
5.	n/a	MON SEAL WIPER ROD 1.125 SNAP	AVAILABLE IN SEAL KIT # 11	
6.	258510	MON CYL HEAD 2.00-1.125-THD		
7.	294789	MON PISTON 2.00-0.75 PSP		
8.	470900	MON TUBE WMT 2.00-8.00-WX		
9.	496900	MON ROD WMT 1.12-8.00-.75-WX		
10.	800-073C	GREASE ZERK 1/4-28 X 90-DEG		
11.	801-045C	SCREW SET 1/4-28X1/4 KNL CUP		
12.	850-039C	MON SEAL KIT 644338		

# Decal Placement

Applies to STP15



37304

***Decal Placement***

---

**Applies to STP15**

<b>Ref</b>	<b>Part No.</b>	<b>Part Description</b>	<b>Comments</b>	<b>Revision</b>
	dwg37304	Drawing Image Number		
1.	818-190C	DECAL FLAG		
2.	818-349C	DECAL GREASE 10 HRS LH		
3.	818-402C	DECAL GREASE 10 HRS RH		
4.	818-798C	DECAL WARNING PINCH POINT GEN		
5.	838-094C	DECAL WARNING HYD PRESS LONG		
6.	838-293C	DECAL WARNING READ MANUAL		
7.	848-159C	DECAL LANDPRIDE 10" BROWN/GOLD		
8.	858-202C	DECAL, STP15 GOLD		
9.	858-696C	DECAL, CAUTION 2000 ROC MAX		

***Land Pride Touch-up Paints***

---

Applies to STP15

**No diagram associated with this Parts List**

**Land Pride Touch-up Paints****Applies to STP15**

<b>Ref</b>	<b>Part No.</b>	<b>Part Description</b>	<b>Comments</b>	<b>Revision</b>
1.	821-011C	LP BEIGE SPRAY CAN	Spray can	
1.	821-011CTU	LP BEIGE TOUCH-UP 5OZ	Touch-up bottle with brush	
1.	821-011CQT	LP BEIGE QUART	Quart can	
1.	821-011CGL	LP BEIGE GALLON	Gallon can	
2.	821-070C	GLOSS BLACK SPRAY CAN	Spray can	
2.	821-070CTU	GLOSS BLACK TOUCH-UP 5OZ	Touch-up bottle with brush	
2.	821-070CQT	GLOSS BLACK QUART	Quart can	
2.	821-070CGL	GLOSS BLACK GALLON	Gallon can	
3.	821-054C	MED. RED SPRAY TRCK/CTR	Spray can	
3.	821-054CTU	MED RED TOUCH-UP 5OZ	Touch-up bottle with brush	
3.	821-054CQT	MED RED QUART	Quart can	
3.	821-054CGL	MED RED GALLON	Gallon can	
4.	821-058C	GREEN SPRAY CUTTERS	Spray can	
4.	821-058CTU	GREEN TOUCH-UP 5OZ	Touch-up bottle with brush	
4.	821-058CQT	GREEN QUART	Quart can	
4.	821-058CGL	GREEN GALLON	Gallon can	
5.	821-066C	ORANGE SPRAY CAN	Spray can	
5.	821-066CTU	ORANGE TOUCH-UP 5OZ	Touch-up bottle with brush	
5.	821-066CQT	ORANGE QUART	Quart can	
5.	821-066CGL	ORANGE GALLON	Gallon can	
6.	821-067C	BLUE SPRAY CAN	Spray can	
6.	821-067CTU	BLUE TOUCH-UP 5OZ	Touch-up bottle with brush	
6.	821-067CQT	BLUE QUART	Quart can	
6.	821-067CGL	BLUE GALLON	Gallon can	
7.	821-080C	PAINT ALUMINUM/ZINC SPRAY CAN	Spray can	
7.	821-080CTU	PAINT ALUMINUM/ZINC TOUCH UP	Touch-up bottle with brush	
7.	821-080CQT	PAINT ALUMINUM/ZINC QUART	Quart can	
7.	821-080CGL	PAINT ALUMINUM/ZINC GALLON	Gallon can	



# Part Number Index

The Part Number Index is a numeric index of all part numbers included in this manual. The index shows what page(s) the part is used on.

Part Number	Page	Part Number	Page
130556	11	n/a	11
258510	11		
294789	11		
328-216H	7		
328-217H	7		
328-221H	7		
328-223H	9		
470900	11		
496900	11		
800-073C	11		
800-136C	7		
801-045C	11		
802-453C	7		
803-198C	7		
805-104C	9		
805-131C	9		
805-527C	9		
811-063C	9		
811-091C	9		
811-153C	9		
811-205C	9		
811-744C	9		
811-745C	9		
818-190C	13		
818-349C	13		
818-402C	13		
818-798C	13		
821-011C	15		
821-011CGL	15		
821-011CQT	15		
821-011CTU	15		
821-054C	15		
821-054CGL	15		
821-054CQT	15		
821-054CTU	15		
821-058C	15		
821-058CGL	15		
821-058CQT	15		
821-058CTU	15		
821-066C	15		
821-066CGL	15		
821-066CQT	15		
821-066CTU	15		
821-067C	15		
821-067CGL	15		
821-067CQT	15		
821-067CTU	15		
821-070C	15		
821-070CGL	15		
821-070CQT	15		
821-070CTU	15		
821-080C	15		
821-080CGL	15		
821-080CQT	15		
821-080CTU	15		
838-094C	13		
838-293C	13		
848-159C	13		
850-039C	11		
851-334C	9, 11		
851-335C	9		
851-336C	9		
851-947C	9		
851-948C	9		
858-202C	13		
858-696C	13		
Dwg 37302	9		
dwg37301	7		
dwg37303	11		
dwg37304	13		



***This Page Intentionally Left Blank***



Great Plains Manufacturing, Inc.

Corporate Office: P.O. Box 5060  
Salina, Kansas 67402-5060 USA

[www.landpride.com](http://www.landpride.com)

---