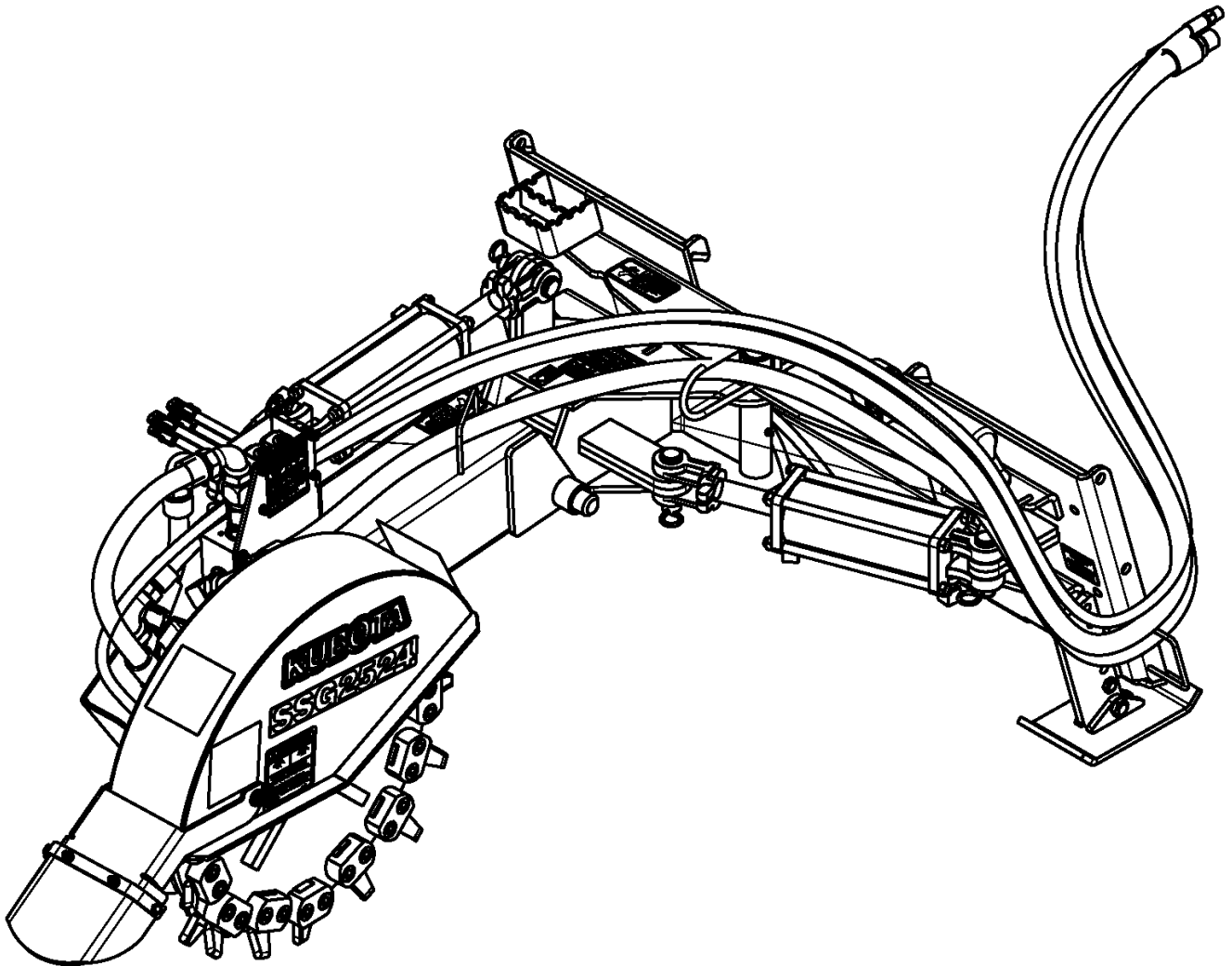


# Stump Grinder

---

AP-SSG2524



37713

## 328-215PK Parts Manual

# Kubota®



Read the Operator's Manual entirely. When you see this symbol, the subsequent instructions and warnings are serious - follow without exception. Your life and the lives of others depend on it!

© Copyright 2017 Printed 03/01/17

*Cover photo may show optional equipment not supplied with standard unit.*



# Table of Contents

---

<b>Section 1: Introduction.....</b>	<b>4</b>
Using This Manual.....	4
Manual Replacement Information.....	4
Manual Revisions.....	4
Touch-up Paint.....	4
Hardware Legend.....	5
Replacement Hardware.....	5
Serial Numbers.....	5
Part Number Service Coding.....	5
<b>Section 2: Hitch &amp; Arm Components.....</b>	<b>6</b>
Hitch.....	6
Pivot & Arm.....	6
<b>Section 3: Rotor Components.....</b>	<b>8</b>
Rotor & Chute Components.....	8
Rotor Wheel Components.....	10
<b>Section 4: Hydraulics.....</b>	<b>12</b>
Hydraulic Cylinder (810-384C) Cross.....	12
Left/Right Rotate Hydraulics.....	14
Motor Drive Hydraulics.....	16
Up/Down Tilt Hydraulics.....	18
Valve 2 Priority (810-840C).....	20
<b>Section 5: Labels.....</b>	<b>22</b>
Kubota Touch-up Paints.....	22
Label Placement.....	24
<b>Section 6: Options &amp; Accessories.....</b>	<b>26</b>
14 Pin Connector Harnesses.....	26
Case Drain Coupler.....	28
Case Drain W/ Motor Guard.....	30
Control Box (823-377C).....	32
Control Harness.....	34
Control Harness Kubota Skid W/ 2-Pin Power Supply.....	36
Couplers Large Flat Faced.....	38
Couplers Quick Flat Faced.....	40
Wiring Harness 14 Pin.....	42
<b>Part Number Index.....</b>	<b>44</b>

© Copyright 2017. All rights reserved.

Kubota provides this publication “as is” without warranty of any kind, either expressed or implied. While every precaution has been taken in the preparation of this manual, Kubota assumes no responsibility for errors or omissions. Neither is any liability assumed for damages resulting from the use of the information contained herein. Kubota reserves the right to revise and improve its products as it sees fit. This publication describes the state of this product at the time of its publication, and may not reflect the product in the future. The illustrations in this manual are not intended for safe and proper assembly or disassembly of equipment. The illustrations are intended for ordering parts only.

Kubota is registered trademark.

All other brands and product names are trademarks or registered trademarks of their respective holders.

*Printed in the United States of America.*



# Alphabetized Table of Contents

---

<b>1</b>	14 Pin Connector Harnesses.....	26
<b>C</b>	Case Drain Coupler.....	28
	Case Drain W/ Motor Guard.....	30
	Control Box (823-377C).....	32
	Control Harness.....	34
	Control Harness Kubota Skid W/ 2-Pin Power Supply..	36
	Couplers Large Flat Faced.....	38
	Couplers Quick Flat Faced.....	40
<b>H</b>	Hitch, Pivot & Arm.....	6
	Hydraulic Cylinder (810-384C) Cross.....	12
<b>K</b>	Kubota Touch-up Paints.....	22
<b>L</b>	Label Placement.....	24
	Left/Right Rotate Hydraulics.....	14
<b>M</b>	Motor Drive Hydraulics.....	16
<b>R</b>	Rotor & Chute Components.....	8
	Rotor Wheel Components.....	10
<b>U</b>	Up/Down Tilt Hydraulics.....	18
<b>V</b>	Valve 2 Priority (810-840C).....	20
<b>W</b>	Wiring Harness 14 Pin.....	42

# General Information

## Using This Manual

This manual is divided into sections. The first section contains General Information. The remaining sections divide the machine into segments (i.e. Frames, Drives, Hydraulics, etc.) which illustrate and list all parts. A Parts Number Index is located at the back of the book.

The Kubota parts in this manual are specially designed for this machine and should be replaced with Kubota parts only.

The information in this manual is current at time of printing. Some parts may change to assure top performance.

Right-hand and left-hand as used in this manual are determined by facing the direction the machine will travel while in use.

Below is an example of two facing pages from a parts manual. Familiarize yourself with the type of information contained on these pages.

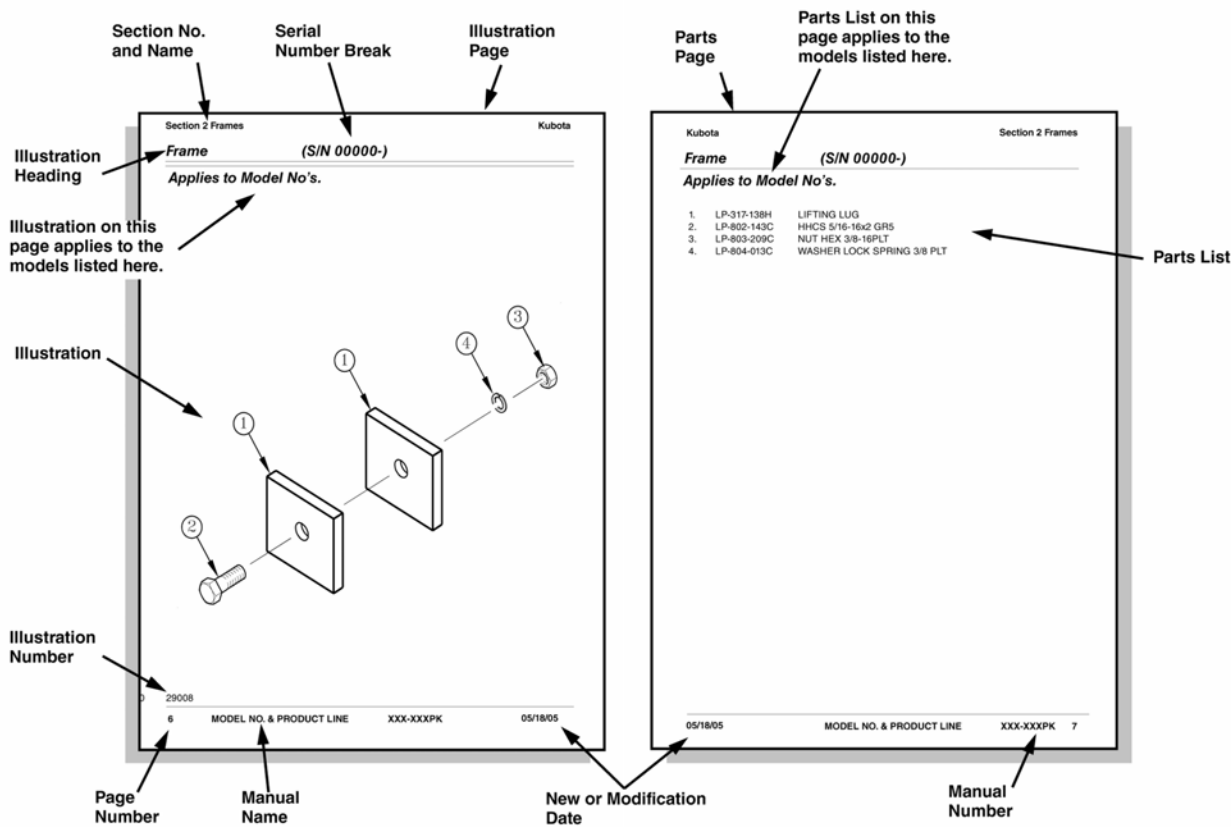
## Manual Replacement Information

Replacement manuals are available. Refer to our website at [www.kubota.com](http://www.kubota.com) for additional information. Our website continues to provide the most up-to-date manuals available.

## Touch-up Paint

Repaint parts where paint is worn or scratched to prevent rust. Kubota touch-up paints are available through your local Kubota dealer. Part numbers and color descriptions are listed below.

Part No.	Part Description
821-070C	GP Gloss black enamel spray can
821-070CTU	GP Gloss black enamel bottle with brush
821-070CQT	GP Gloss black enamel quart
821-070CGL	GP Gloss black enamel gallon



# General Information

## Hardware Legend

AR	As Required
BLADE	Blade Bolt
C	Cap Screw
CP	Cotter Pin
CPHSSS	Cup Point Hex Socket Set Screw
CPSHSS	Cup Point Square Head Set Screw
CPSQHSS	Cup Point Square Head Set Screw
CRFCHMS3	Cross Recess Flat Countersunk Head Machine Screw
CRPHMS	Cross Recess Pan Head Machine Screw
CRPHTFS	Cross Recess Pan Head Thread Forming
CRRHMS	Cross Recess Round Head Machine Screw
CRTHMS	Cross Recess Truss Head Machine Screw
CSNB	Countersunk Square Neck Bolt
FHMS	Flat Head Machine Screw
FTC	Full Thread Cap Screw
H	Hex Nut
HCLN	Hex Center Lock Nut
HFLCS	Hex Flange Lock Cap Screw
HFS	Hex Flange Screw
HFSLN	Hex Flange Serrated Lock Nut
HFSS	Hex Flange Serrated Screw
HHCS	Hex Head Cap Screw or Metric Bolt
HSBHCS	Hex Socket Button Head Cap Screw
HSFCHCS	Hex Socket Flat Countersunk Head Cap Screw
HSHCS	Hex Socket Head Cap Screw
HSSS	Hex Socket Head Screw
HTLN	Hex Top Lock Nut
HWHCS	Hex Washer Head Cap Screw

HWHMS	Hex Washer Head Machine Screw
HXBHCS	Hex Socket Button Head Cap Screw
J	Hex Jam Nut
JIC	37 Degree Tapered Thread
L	Helical Spring Lock Washer
LUG	Lug Bolt
NFC	National Fine Cap Screw
NPSM	National Pipe Straight Mechanical
NPTF	National Pipe Taper Fuel
P	Wide Plain Washer
PHMS	Pan Head Machine Screw
PLOW	Plow Bolt
RHMS	Round Head Machine Screw
RHSNB	Round Head Square Neck Bolt
SCREW LEVELING	Leveling Screw
SCREW THUMB	Thumb Screw
SCREW WELD	Weld Screw
SFCHMS	Slotted Flat Countersunk Head Machine Screw
SFHMS	Slotted Fillister Head Machine Screw
SP	Special
SP SCREW	Special Screw
SQHSS	Square Head Set Screw
SRHMS	Slotted Round Head Machine Screw
SSS	Socket Set Screw
STCS	Self Tapping Cap Screw
STHMS	Slotted Truss Head Machine Screw
WHEEL	Wheel Studs and Hub Long Bolts
WING	Wing Bolt

## Replacement Hardware

The **Hardware Legend** above lists hardware abbreviations used in the parts list. All bolts and nuts are Grade 5 unless otherwise noted. The use of improper grades of hardware can result in personal injury, damage to equipment, or loss of property.

## Part Number Service Coding

Within the parts list some part numbers are coded for revisions and interchangeability. See notations in revision column.

### Serial Numbers

Always use the serial and model number when ordering parts. Refer to the Operator's Manual for serial number plate location.

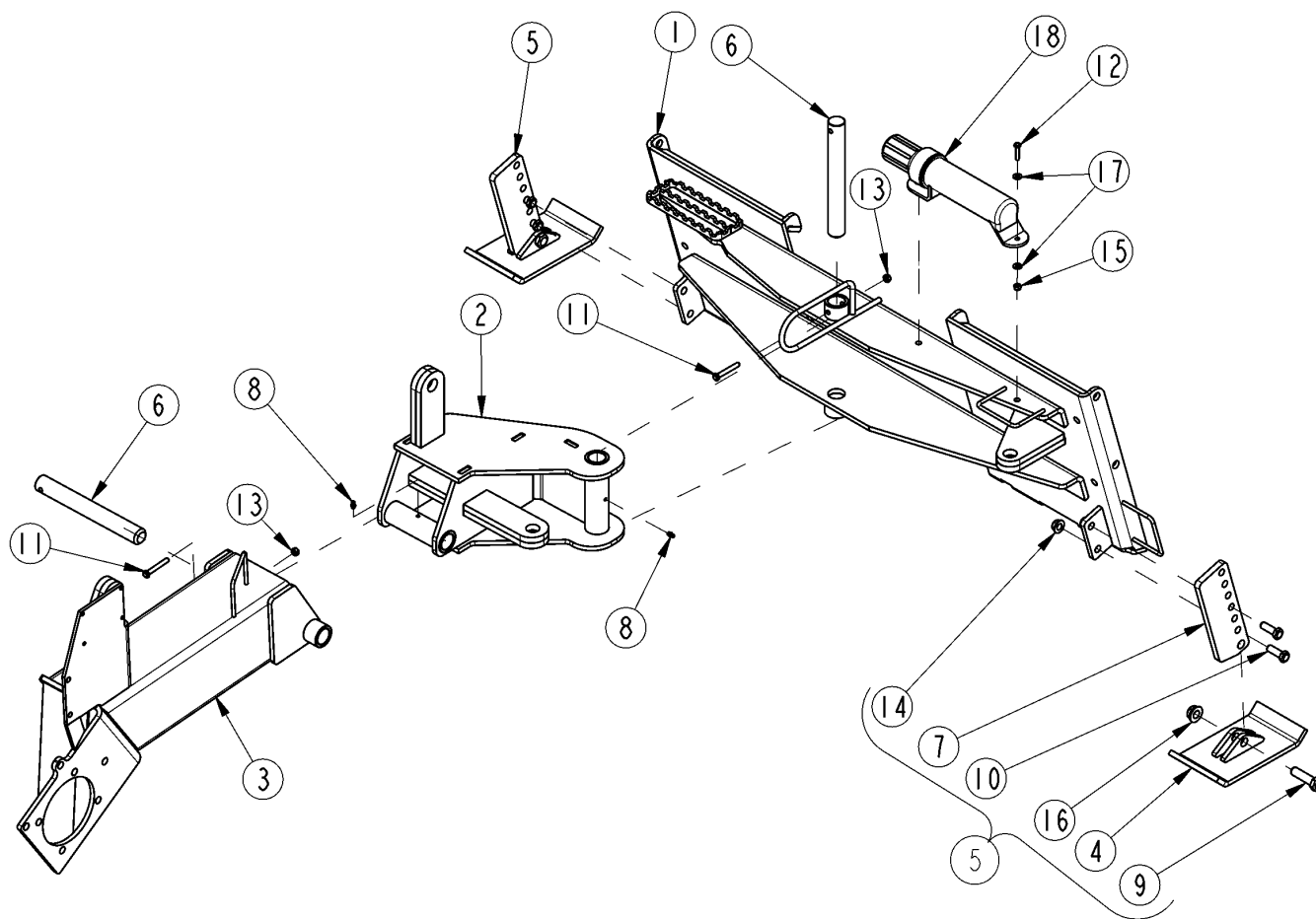
(S/N 20001+)                      Includes serial numbers 20001 and above (to the latest number)

(S/N 10001 to 20000)            Includes serial numbers between and including 10001 and 20000

(S/N 10000-)                      Includes serial numbers 10000 and below (to the earliest number)

# Hitch, Pivot & Arm

Applies to AP-SSG2524



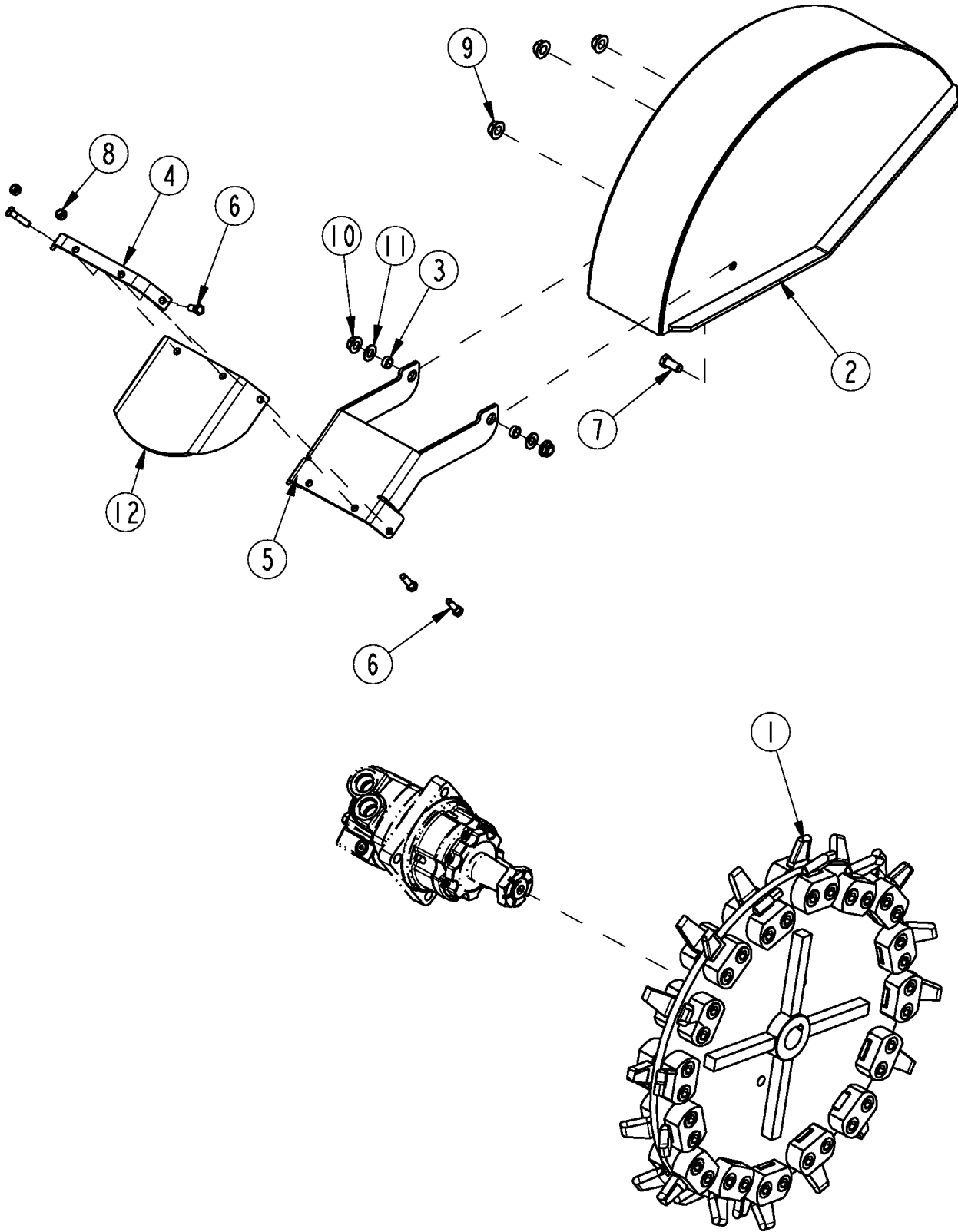
35277

**Hitch, Pivot & Arm****Applies to AP-SSG2524**

<b>Ref</b>	<b>Part No.</b>	<b>Part Description</b>	<b>Comments</b>	<b>Revision</b>
	Dwg 35277	Drawing Image Number		
1.	328-200H	SKID HITCH STUMP GRINDER		
2.	328-201H	SWING WELD		
3.	328-202H	MOTOR LIFT WELD		
4.	328-210H	SKID SHOE WELD		
5.	328-211K	SKID SHOE ASSY		
6.	328-406D	PIVOT PIN		
7.	328-434D	SKID SHOE ADJUSTMENT		
8.	800-080C	GREASE ZERK 1/4-28 THD FORMING		
9.	802-057C	HHCS 5/8-11X2 1/4 GR5		
10.	802-091C	HHCS 1/2-13X1 1/2 GR5		
11.	802-138C	HHCS 5/16-18X2 1/4 GR5		
12.	802-224C	HHCS 1/4-20X1 1/4 GR5		
13.	803-084C	NUT HEX NYLOCK 5/16-18 PLT		
14.	803-169C	NUT HEX FLG LOCK 1/2-13 PLT		
15.	803-255C	NUT HEX NYLOCK 1/4-20		
16.	803-263C	NUT HEX FLANGE LOCK 5/8-11 PLT		
17.	804-007C	WASHER FLAT 1/4 SAE PLT		
18.	816-504C	MANUAL STORAGE CONTAINER		

# Rotor & Chute Components

Applies to AP-SSG2524



35278



**Rotor & Chute Components**

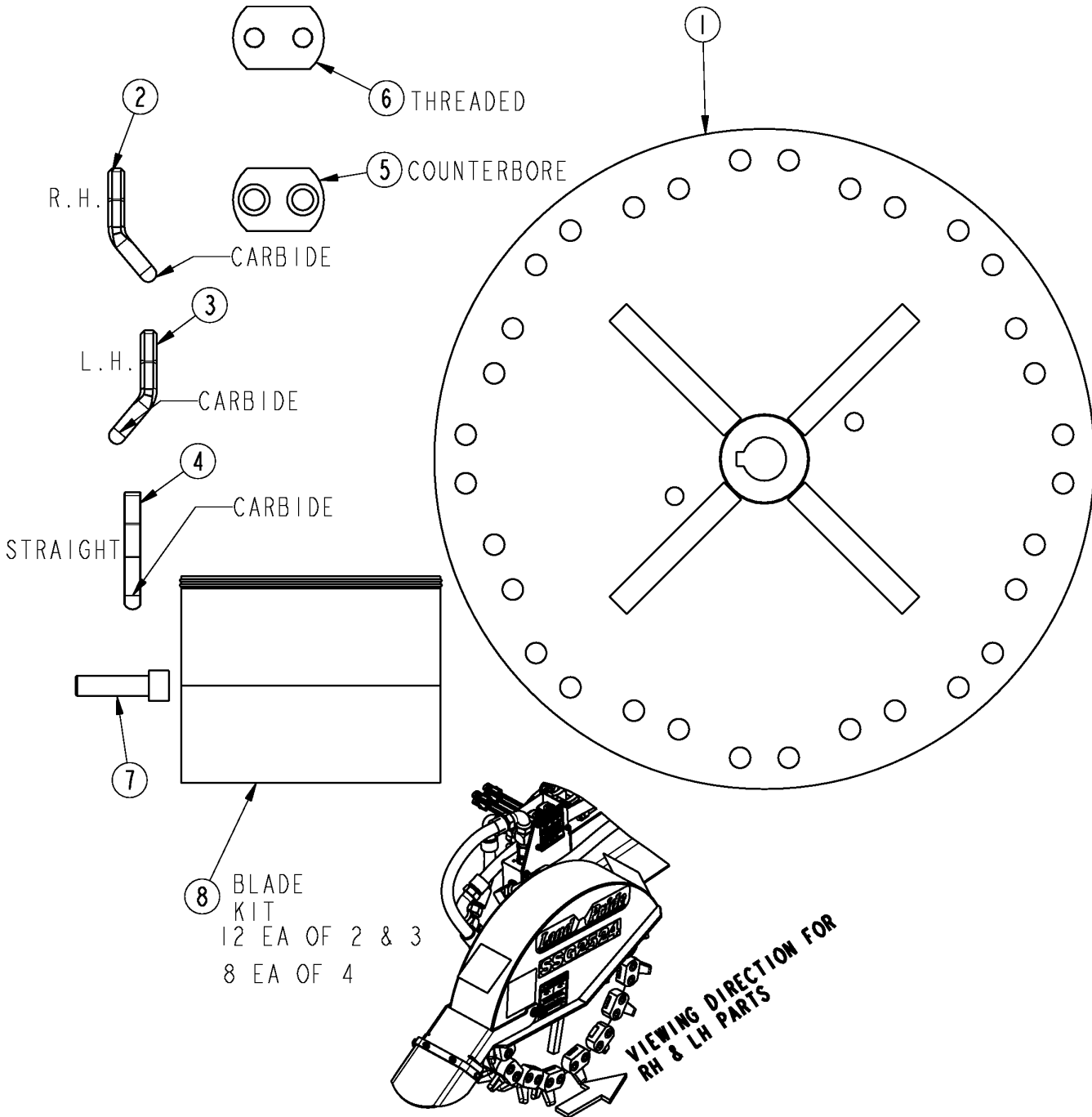
---

**Applies to AP-SSG2524**

<b>Ref</b>	<b>Part No.</b>	<b>Part Description</b>	<b>Comments</b>	<b>Revision</b>
	Dwg 35278	Drawing Image Number		
1.	328-208K	ROTOR WHEEL ASSY		
2.	328-209H	ROTOR SHROUD WELD		
3.	328-404D	GUARD PIVOT		
4.	328-436D	RUBBER GUARD RETAINER		
5.	328-437D	CHIP GUARD		
6.	802-010C	HHCS 5/16-18X1 1/4 GR5		
7.	802-080C	HHCS 7/16-14X1 GR5		
8.	803-084C	NUT HEX NYLOCK 5/16-18 PLT		
9.	803-169C	NUT HEX FLG LOCK 1/2-13 PLT		
10.	803-229C	NUT HEX FLANGE LOC 7/16-14 PLT		
11.	804-041C	WASHER FLAT 7/16 SAE PLT		
12.	816-759C	CHIP GUARD RUBBER		

# Rotor Wheel Components

Applies to AP-SSG2524



35279

**Rotor Wheel Components**

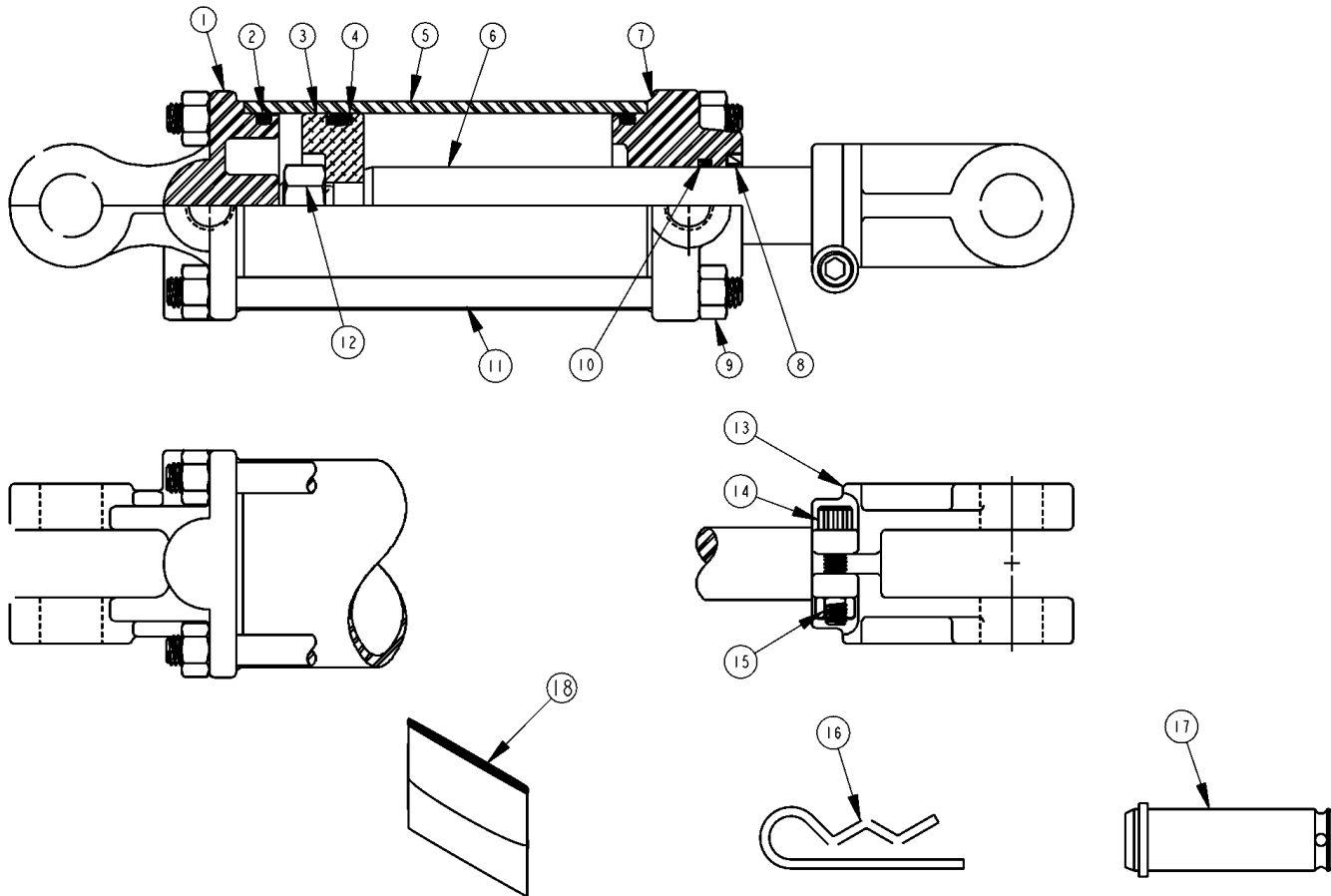
---

**Applies to AP-SSG2524**

<b>Ref</b>	<b>Part No.</b>	<b>Part Description</b>	<b>Comments</b>	<b>Revision</b>
	Dwg 35279	Drawing Image Number		
1.	328-207H	ROTOR WHEEL WELD		
2.	820-493C	CUT TOOTH RH CARBIDE		
3.	820-494C	CUT TOOTH LH CARBIDE		
4.	820-495C	CUT TOOTH STRAIGHT CARBIDE		
5.	820-496C	CUT TOOTH MNT COUNTERBORE		
6.	820-497C	CUT TOOTH MNT THREADED		
7.	842-028C	HSHCS 5/8-18X2 1/4"		
8.	328-108A	SSG2524 SERVICE BLADE KIT	12 ea. of 820-493C & 820-494C & 8 ea. of 820-495C	

# Hydraulic Cylinder (810-384C) Cross

Applies to AP-SSG2524



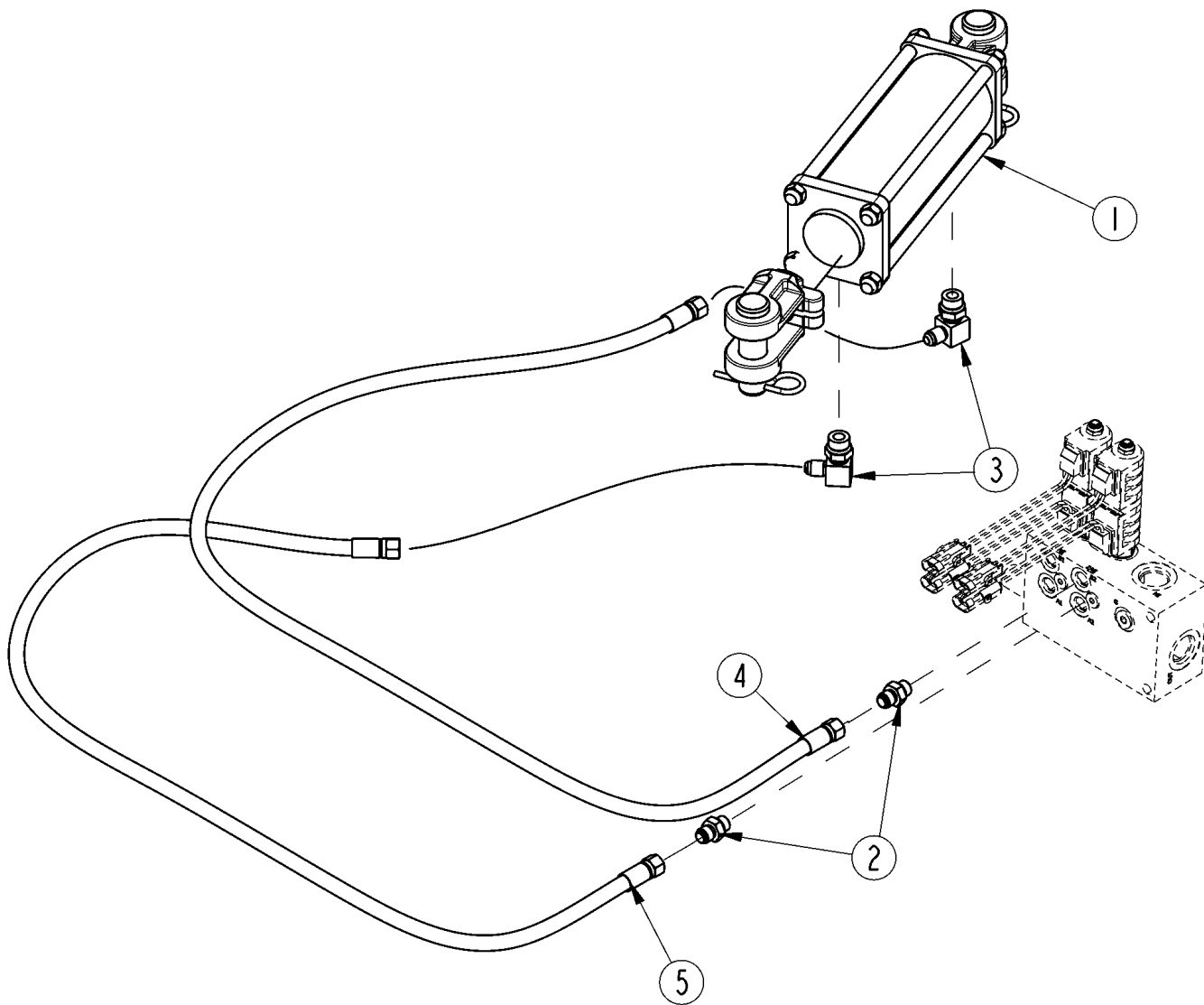
33918

**Hydraulic Cylinder (810-384C) Cross****Applies to AP-SSG2524**

<b>Ref</b>	<b>Part No.</b>	<b>Part Description</b>	<b>Comments</b>	<b>Revision</b>
	Dwg 33918 810-384C	Drawing Image Number CYL 3X6X1.25 ROD (TIE ROD) *		
1.	1D1205-8	CROSS, BASE CLEVIS		
2.	N/A	CROSS, O-RING	In Seal Kit Item #18	
3.	1D1401-300	CROSS PISTON 3 BORE CYLINDER		
4.	N/A	CROSS, BACK-UP	In Seal Kit Item #18	
5.	1D0007-850	CROSS, TUBE		
6.	1D0206-1075	CROSS, ROD		
7.	1D1157-17	CROSS HEAD 3 BORE CYLINDER		
8.	N/A	WIPER SEAL CROSS	In Seal Kit Item #18	
9.	2A0235-8	CROSS NUT, TIE ROD		
10.	N/A	CROSS U-CUP	In Seal Kit Item #18	
11.	2A0580-1100	CROSS, TIE ROD		
12.	2A0246-12	CROSS NUT, PISTON		
13.	1D1003-5	CROSS ROD CLEVIS		
14.	2A0079-616	CROSS SCREW, CAP		
15.	2A0235-6	CROSS NUT, CLEVIS & TIE ROD		
16.	805-032C	PIN HAIR COTTER .148 WIRE		
17.	1D1551-16275	CROSS CLEVIS PIN		
18.	810-009C	CYL SEAL KIT 3 (CROSS)		

# Left/Right Rotate Hydraulics

Applies to AP-SSG2524



35283

***Left/Right Rotate Hydraulics***

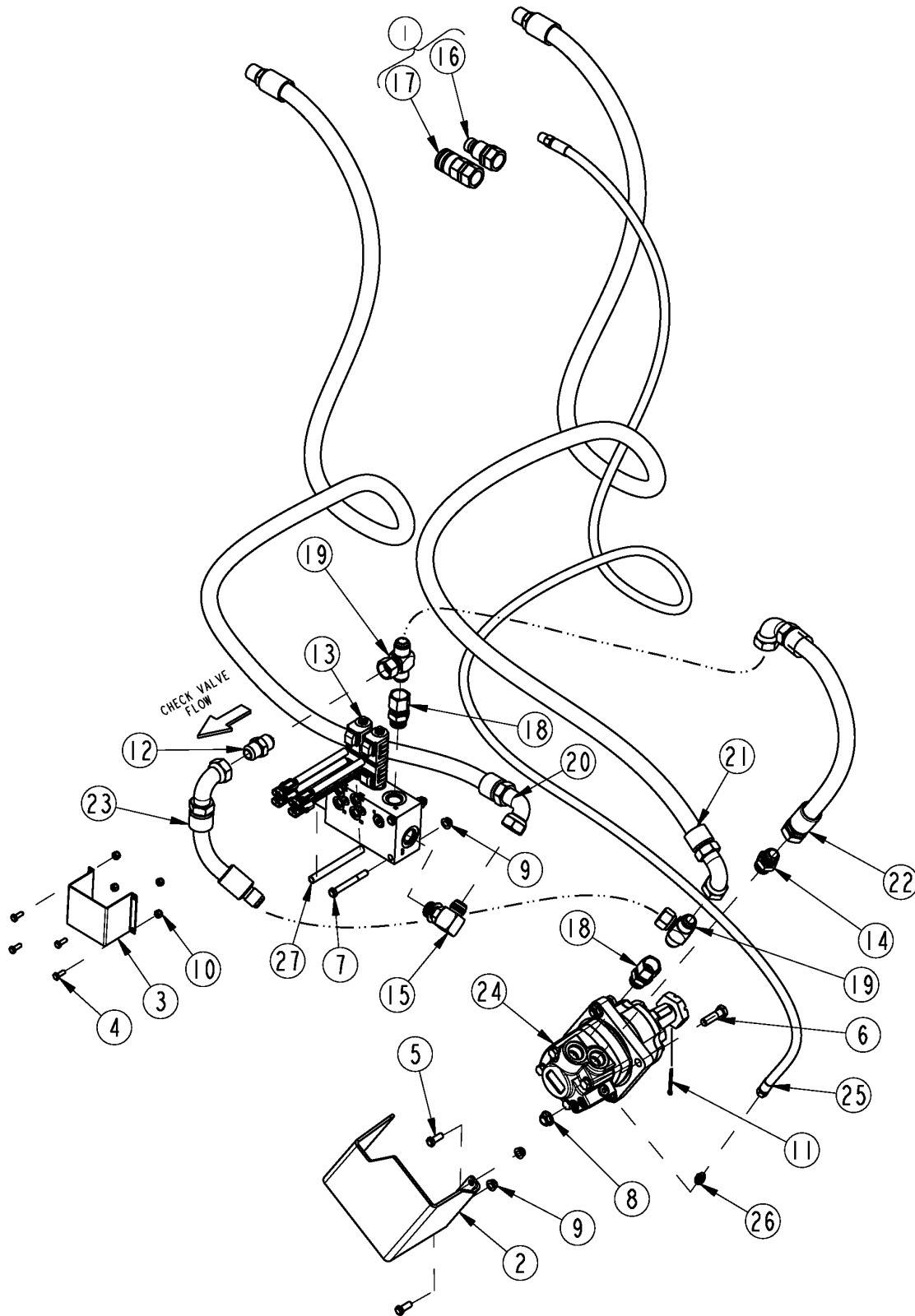
---

**Applies to AP-SSG2524**

<b>Ref</b>	<b>Part No.</b>	<b>Part Description</b>	<b>Comments</b>	<b>Revision</b>
	Dwg 12345	Drawing Image Number		
1.	810-384C	CYL 3X6X1.25 ROD (TIE ROD)		
2.	811-170C	AD 9/16MORB 9/16MJIC		
3.	811-171C	EL 3/4MORB 9/16MJIC		
4.	841-818C	HH1/4R2 62.4 9/16FJIC		
5.	841-819C	HH1/4R2 55.12 9/16FJIC		

# Motor Drive Hydraulics

Applies to AP-SSG2524



35952

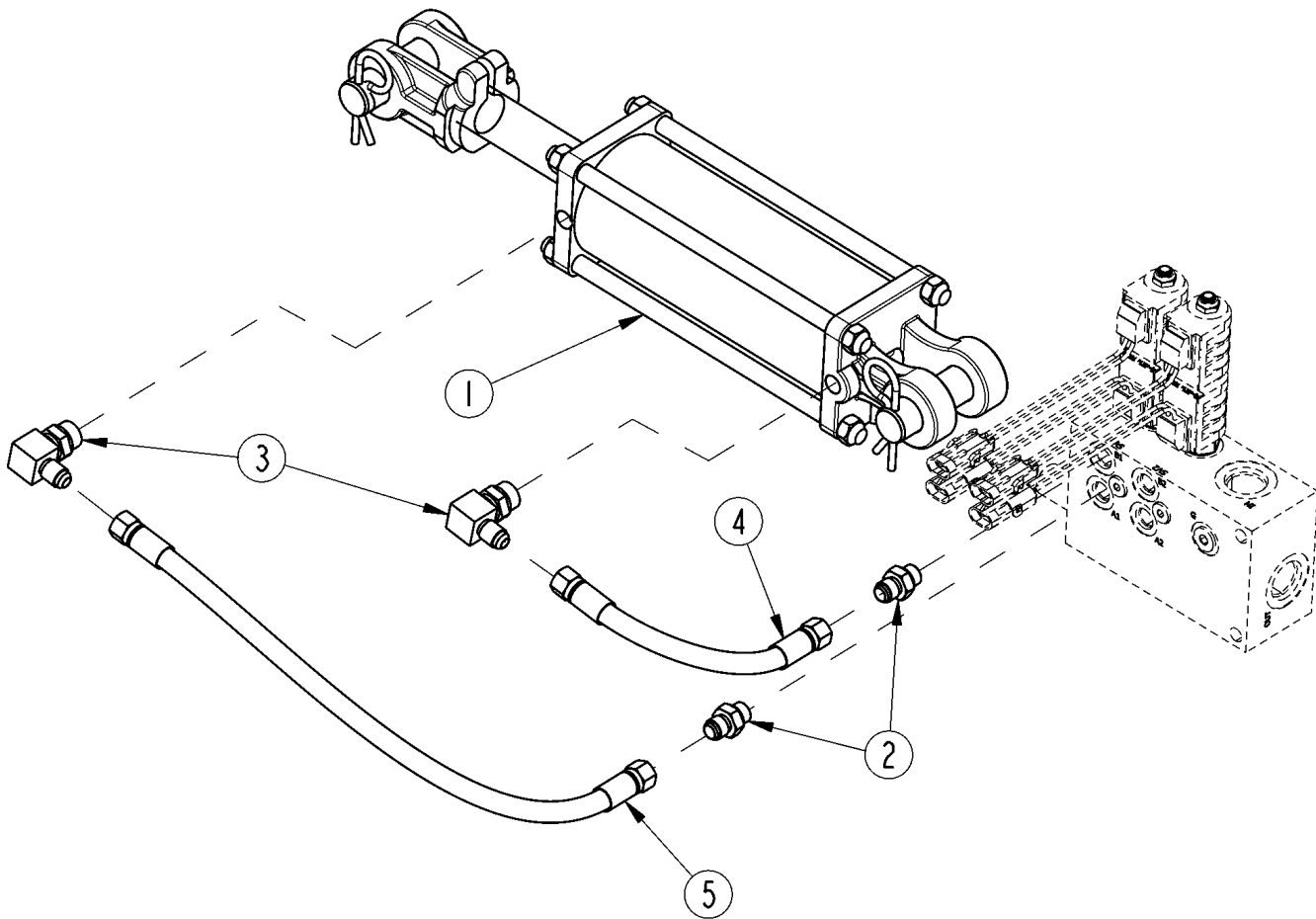


**Motor Drive Hydraulics****Applies to AP-SSG2524**

Ref	Part No.	Part Description	Comments	Revision
	Dwg 35952	Drawing Image Number		
1.	326-627A	COUPLERS, QUICK FLAT FACED	Optional	
2.	328-290D	FITTING SHIELD		
3.	328-435D	SKID VALVE COVER		
4.	802-004C	HHCS 1/4-20X3/4 GR5		
5.	802-017C	HHCS 3/8-16X1 GR5		
6.	802-082C	HHCS 1/2-13X1 3/4 GR5		
7.	802-168C	HHCS 3/8-16X3 1/4 GR5		
8.	803-169C	NUT HEX FLG LOCK 1/2-13 PLT		
9.	803-209C	NUT FLANGE LOCK 3/8-16 PLT		
10.	803-255C	NUT HEX NYLOCK 1/4-20		
11.	805-246C	PIN COTTER 5/32 X 1 3/4 LG		
12.	810-715C	VALVE 3/4 IN-LINE CHECK		
13.	810-840C	VALVE 2 PRIORITY STUMP GRINDER		
14.	811-408C	AD 1 1/16MORB 1 1/16MJIC		
15.	811-411C	EL 1 1/16MJIC 1 1/16MORB		
16.	851-947C	CUP 1 1/16FORB MALE QUICK CPLR		
16.	811-744C	RPBY 851-947c	Obsolete	
17.	851-948C	CUP 1 1/16FORB FML QUICK CPLR		
17.	811-745C	RPBY 851-948c	Obsolete	
18.	841-291C	AD 1 1/16MORB 1 1/16FJIC		
19.	841-676C	TEE 1.06FJIC 1.06MJIC 1.06MJIC		
20.	841-816C	HH3/4R16 117.5 1.06MOR1.06FJIC		
21.	841-817C	HH3/4R16 123.5 1.06MOR1.06FJIC		
22.	841-829C	HH3/4R16 18.6 1.06FJIC(1)90		
23.	841-876C	HH3/4R16 10.75 1.06MJIC90FJIC		
24.	850-007C	HYDRAULIC MOTOR 25 GPM		
25.	851-208C	HH1/4R2 139 7/16MJIC3/8MNPT		
26.	851-209C	AD 7/16MORB 7/16MJIC		
27.	990-296R	CORRUGATED LOOM, 3/8 ID		

# Up/Down Tilt Hydraulics

Applies to AP-SSG2524



35284

***Up/Down Tilt Hydraulics***

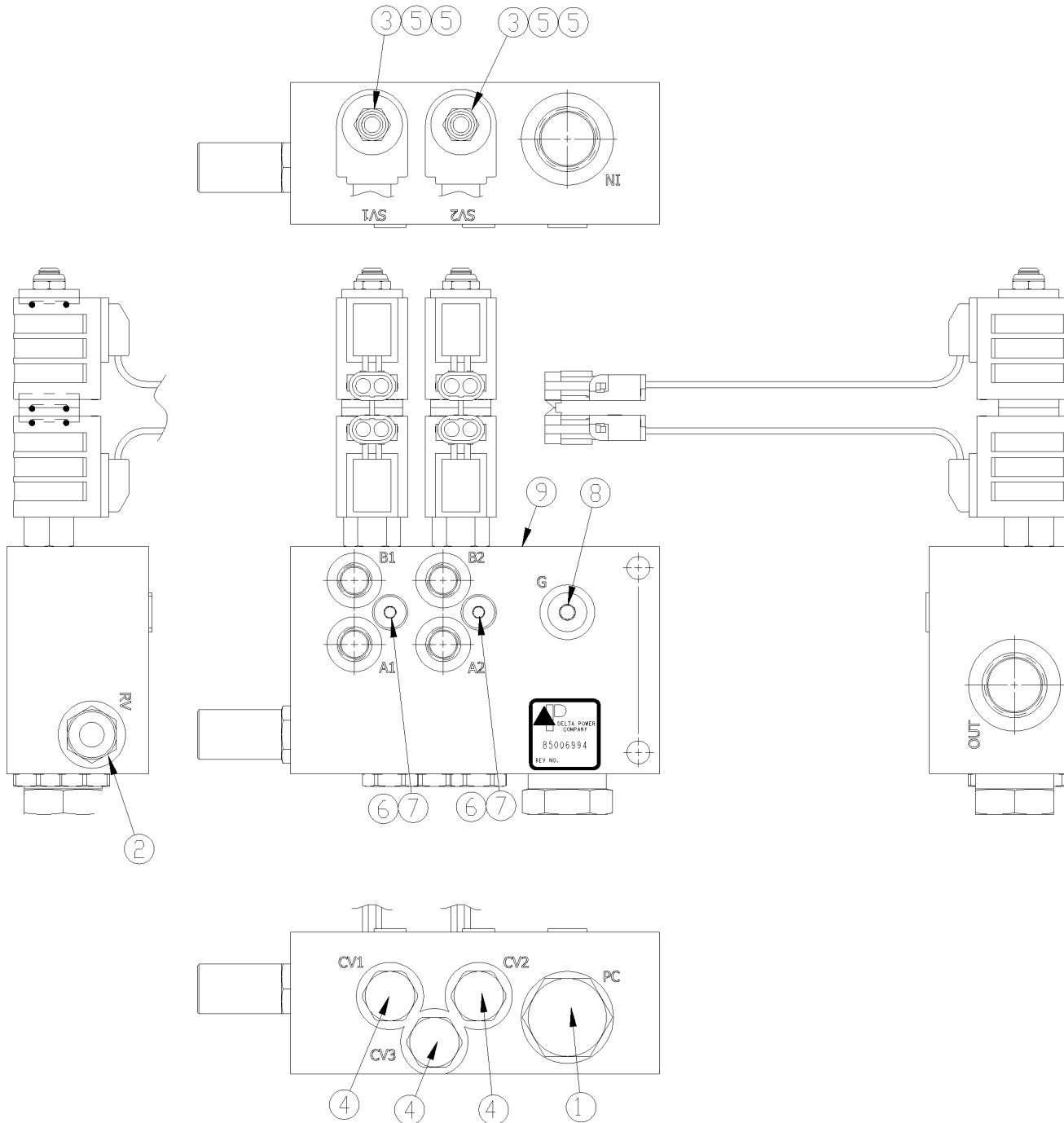
---

**Applies to AP-SSG2524**

<b>Ref</b>	<b>Part No.</b>	<b>Part Description</b>	<b>Comments</b>	<b>Revision</b>
	Dwg 35284	Drawing Image Number		
1.	810-384C	CYL 3X6X1.25 ROD (TIE ROD)		
2.	811-170C	AD 9/16MORB 9/16MJIC		
3.	811-171C	EL 3/4MORB 9/16MJIC		
4.	841-820C	HH1/4R2 8.36 9/16FJIC		
5.	841-821C	HH1/4R2 18.5 9/16FJIC		

# Valve 2 Priority (810-840C)

Applies to AP-SSG2524



35860

**Valve 2 Priority (810-840C)**

---

**Applies to AP-SSG2524**

<b>Ref</b>	<b>Part No.</b>	<b>Part Description</b>	<b>Comments</b>	<b>Revision</b>
	Dwg 35860	Drawing Image Number		
	810-840C	VALVE 2 PRIORITY STUMP GRINDER *		
1.	88400016	DELTA PRESSURE COMPENSATOR		
2.	86020673	DELTA RELIEF VALVE		
3.	86020379	DELTA 4W3P SOLENOID VALVE		
4.	86020133	DELTA CHECK VALVE		
5.	38400002	DELTA 12 VDC COIL, WITH DIODE		
6.	61010016	DELTA PLUG, #4 SAE, HEX SOC		
7.	61010050	DELTA ORFICE PLUG (DIA .047)		
8.	61010007	DELTA #6 SAE PLUG		
9.	30103150	DELTA MANIFOLD		

## ***Kubota Touch-up Paints***

---

Applies to AP-SSG2524

**No diagram associated with this Parts List**

***Kubota Touch-up Paints***

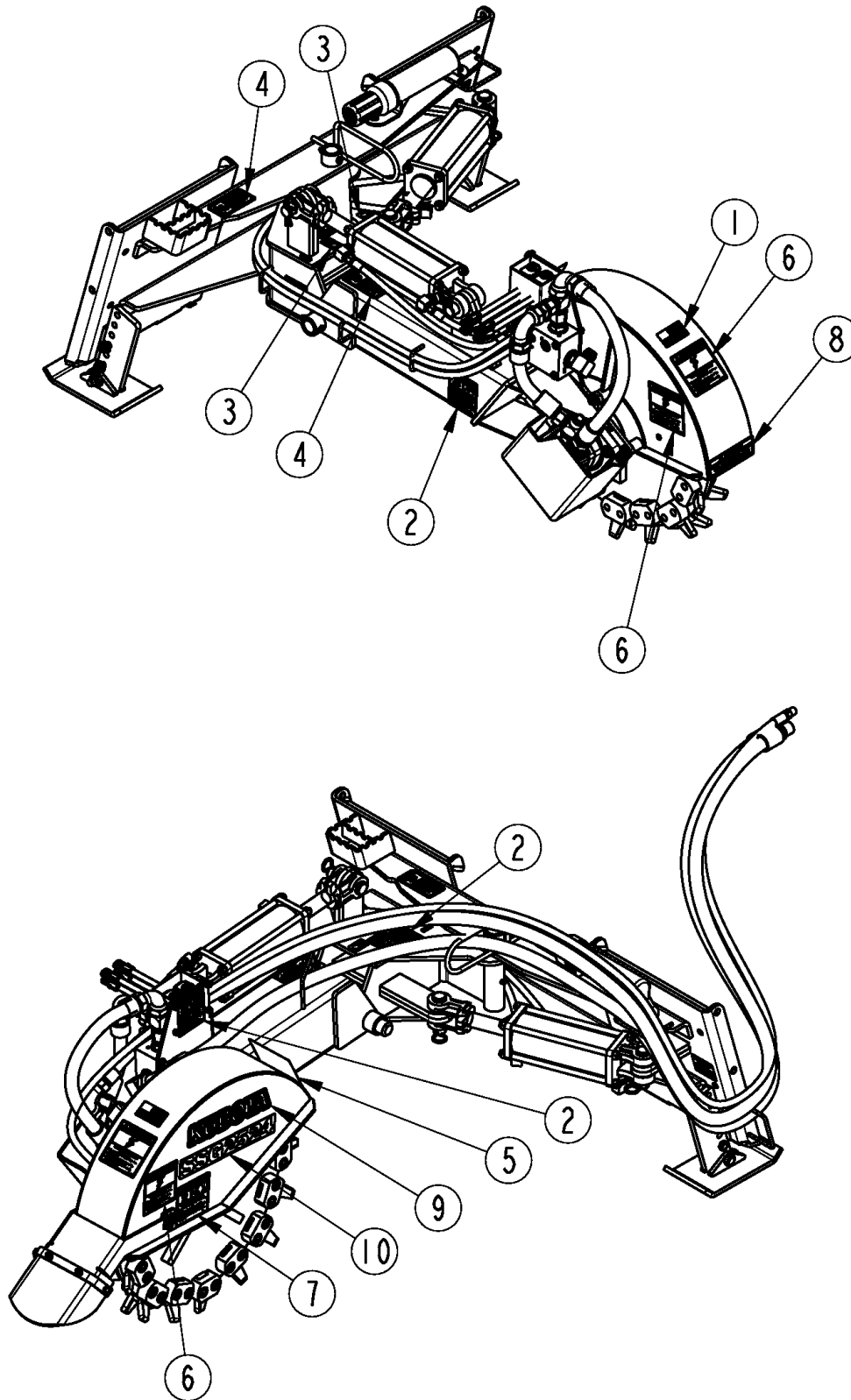
---

**Applies to AP-SSG2524**

<b>Ref</b>	<b>Part No.</b>	<b>Part Description</b>	<b>Comments</b>	<b>Revision</b>
1.	821-070C	GLOSS BLACK SPRAY CAN	All Products	
2.	821-070CTU	GLOSS BLACK TOUCH-UP 5OZ		
3.	821-070CQT	GLOSS BLACK QUART		
4.	821-070CGL	GLOSS BLACK GALLON		

# Label Placement

Applies to AP-SSG2524



37714



***Label Placement***

---

**Applies to AP-SSG2524**

<b>Ref</b>	<b>Part No.</b>	<b>Part Description</b>	<b>Comments</b>	<b>Revision</b>
	Dwg 37714	Drawing Image Number		
1.	818-190C	FLAG DECAL		
2.	818-339C	DECAL WARNING HIGH PRESSUR SML		
3.	818-402C	DECAL GREASE 10 HRS RH		
4.	818-798C	DECAL WARNING PINCH POINT GEN		
5.	818-858C	DECAL CAUTION GENERAL SAFTEY		
6.	838-107C	DECAL DANGER THROWN OBJECT		
7.	838-295C	DECAL ROTATNG BLADE DT55 SW407		
8.	848-088C	DECAL DANGER GUARD MISSING		
9.	858-398C	DECAL KUBOTA 10"		
10.	858-490C	DECAL SSG2524 WHITE		

# 14 Pin Connector Harnesses

Applies to AP-SSG2524

## HARNESS A PN 823-417C

**NOTE:** 2 FUNCTION HARNESS  
WILL WORK FOR THE FOLLOWING:

BOBCAT 14 PIN  
GEHL 14 PIN  
KOMATSU 14 PIN  
MUSTANG 14 PIN  
TAKEUCHI 14 PIN  
VOLVO 14 PIN

WILL ALSO WORK FOR  
THE FOLLOWING BY REVERSING  
THE RED AND GREEN WIRES  
AT THE SOLENOID:

CASE-POST 9/1/01 14 PIN  
CASE-400 SERIES 14 PIN  
NEW HOLLAND 14 PIN

**PIN OUT DETAIL**

A - PLUG	H - PLUG
B - BLK	J - PLUG
C - RED	K - PLUG
D - GRN	L - PLUG
E - WHT	M - PLUG
F - BRN	N - PLUG
G - PLUG	P - PLUG

REAR VIEW

## HARNESS B PN 823-418C

**NOTE:** 2 FUNCTION HARNESS  
WILL WORK FOR THE FOLLOWING:

JOHN DEERE 14 PIN

**PIN OUT DETAIL**

A - PLUG	H - RED
B - BLK	J - PLUG
C - PLUG	K - PLUG
D - PLUG	L - PLUG
E - WHT	M - PLUG
F - GRN	N - PLUG
G - BRN	P - PLUG

REAR VIEW

## HARNESS C PN 823-419C

**NOTE:** 2 FUNCTION HARNESS  
WILL WORK FOR THE FOLLOWING:

JOHN DEERE "EH" 14 PIN

**PIN OUT DETAIL**

A - PLUG	H - PLUG
B - BLK	J - PLUG
C - GRN	K - PLUG
D - WHT	L - PLUG
E - BRN	M - PLUG
F - PLUG	N - PLUG
G - RED	P - PLUG

REAR VIEW

35475

## 14 Pin Connector Harnesses

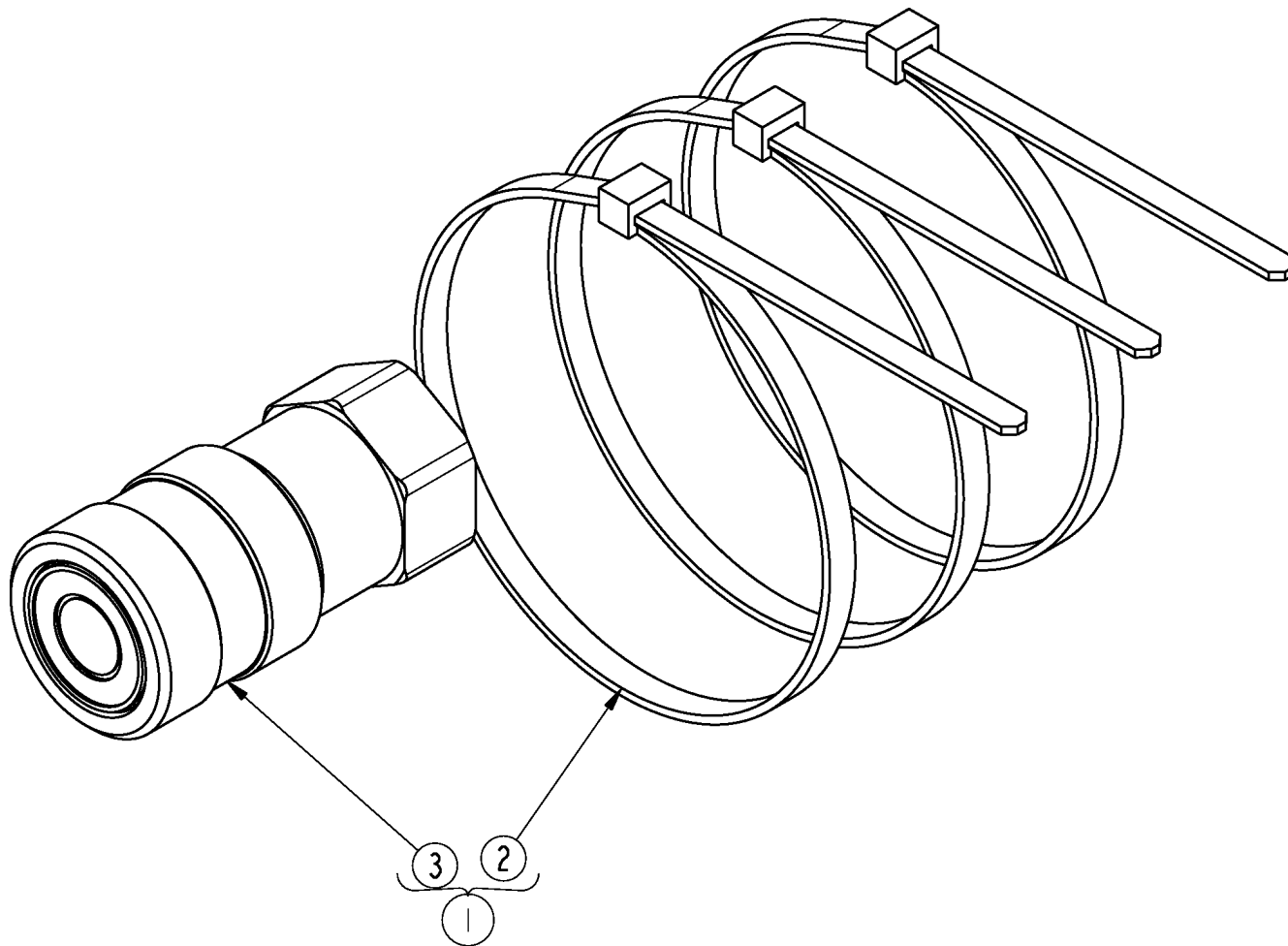
---

### Applies to AP-SSG2524

Ref	Part No.	Part Description	Comments	Revision
	Dwg 35475	Drawing Image Number		
1.	231-009	SHRINKTUBING .500" BLK		
2.	231-375	SHRINKTUBING .375" BLK		
3.	252-007	CABLE 5CON 18GA PVC GRY		
4.	252-058	FASSE WIRE 18GA BLK		
5.	255-093	WEATHERPACK CTR 2 PIN SHROUD		
6.	255-101	CONT W/P SOCKET 18-20GA		
7.	255-104	WEATHERPACK CNTR CABLE SEAL GR		
8.	255-806	FASSE CONN DEUT HD30 PLG W/CBL		
9.	255-978	FASSE CTR DEUTSCH SKT 16/18GA		
10.	255-979	FASSE TRM CAVITY PLUG DEUT.		
11.	823-417C	DEUTSCH HD30 14 PIN 2 FUNCTION	Harness A	
12.	823-418C	DEUTSCH HD30 14 PIN 2 FUNCTION	Harness B	
13.	823-419C	DEUTSCH HD30 14 PIN 2 FUNCTION	Harness C	

# Case Drain Coupler

Applies to AP-SSG2524



35963

## **Case Drain Coupler**

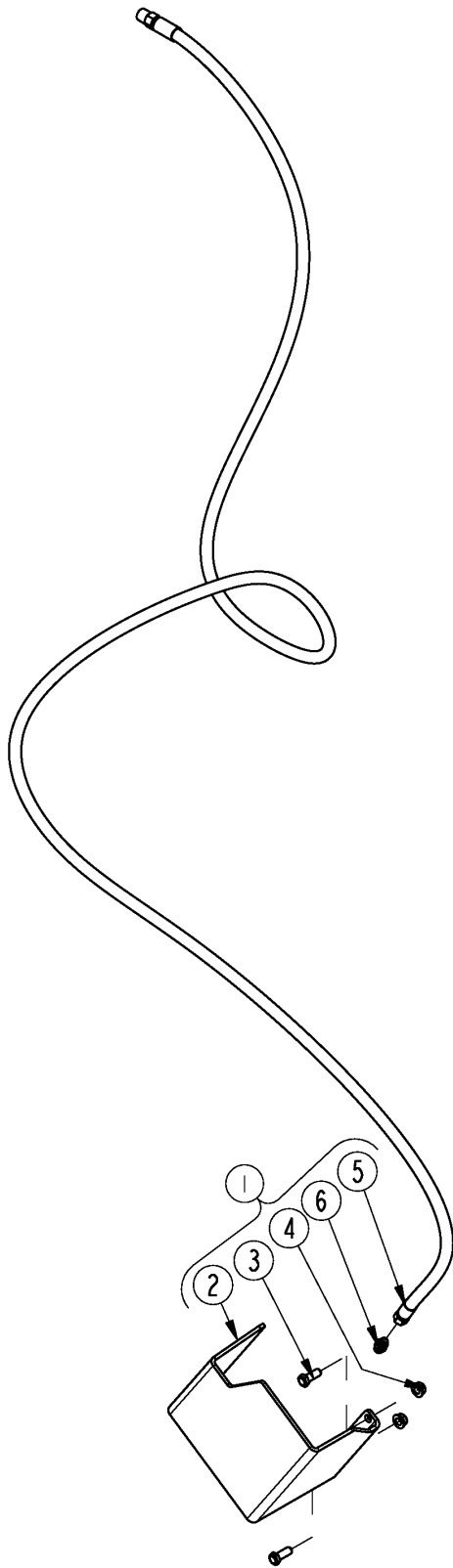
---

### **Applies to AP-SSG2524**

<b>Ref</b>	<b>Part No.</b>	<b>Part Description</b>	<b>Comments</b>	<b>Revision</b>
	Dwg 35475	Drawing Image Number		
1.	326-474A	CTL/SS COUPLER PACKAGE		
2.	800-060C	CABLE TIE .19X14.25 3DIA 50LB		
3.	841-539C	CP 3/8 FEMALE QD 3/8FNPT		

# Case Drain W/ Motor Guard

Applies to AP-SSG2524



35962

## **Case Drain W/ Motor Guard**

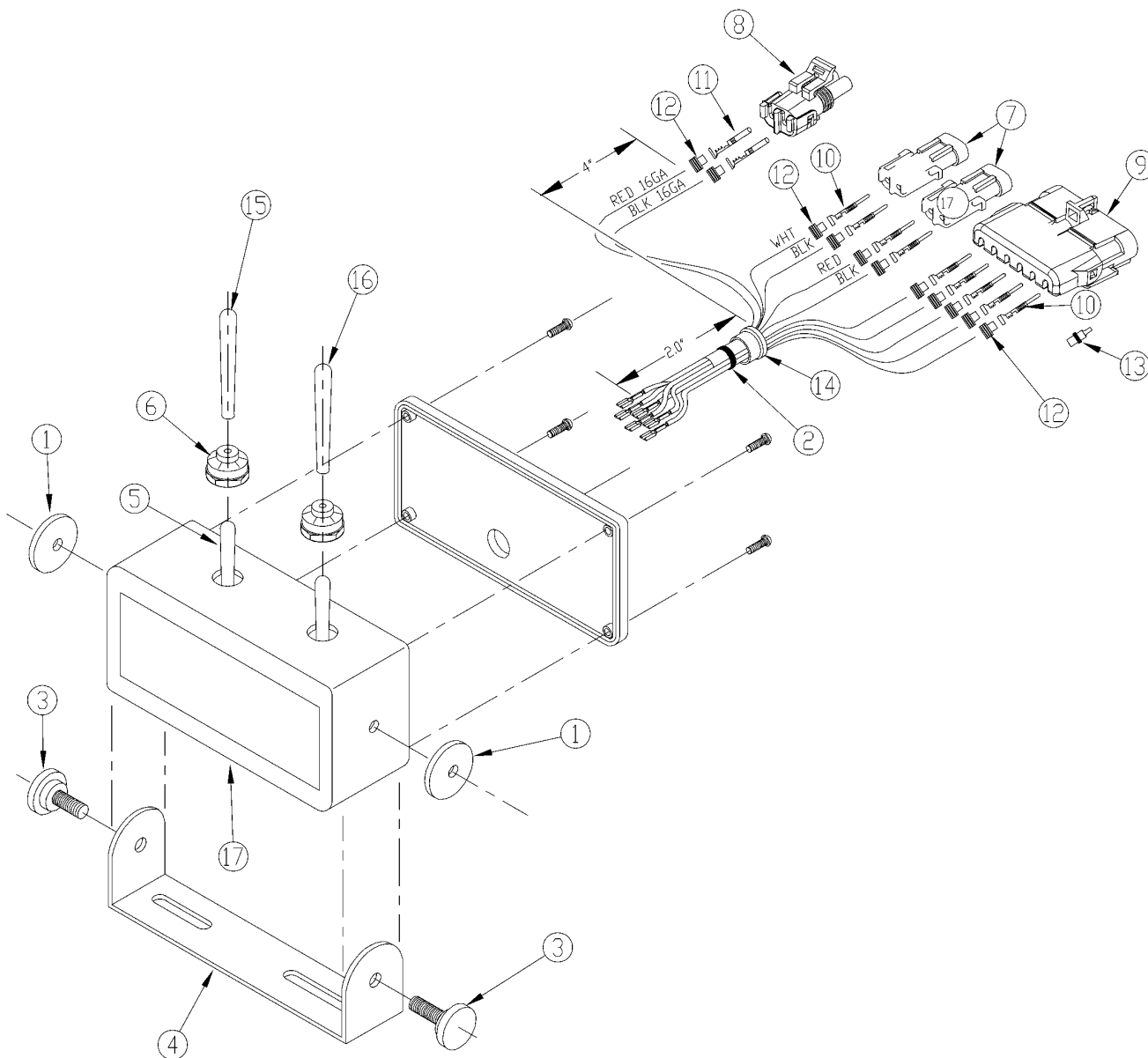
---

### **Applies to AP-SSG2524**

<b>Ref</b>	<b>Part No.</b>	<b>Part Description</b>	<b>Comments</b>	<b>Revision</b>
	Dwg 35962	Drawing Image Number		
1.	328-109K	CASE DRAIN W/GUARD BNDL		
2.	328-290D	FITTING SHIELD		
3.	802-017C	HHCS 3/8-16X1 GR5		
4.	803-209C	NUT FLANGE LOCK 3/8-16 PLT		
5.	851-208C	HH1/4R2 139 7/16MJIC3/8MNPT		
6.	851-209C	AD 7/16MORB 7/16MJIC		

# Control Box (823-377C)

Applies to AP-SSG2524



33091



**Control Box (823-377C)**

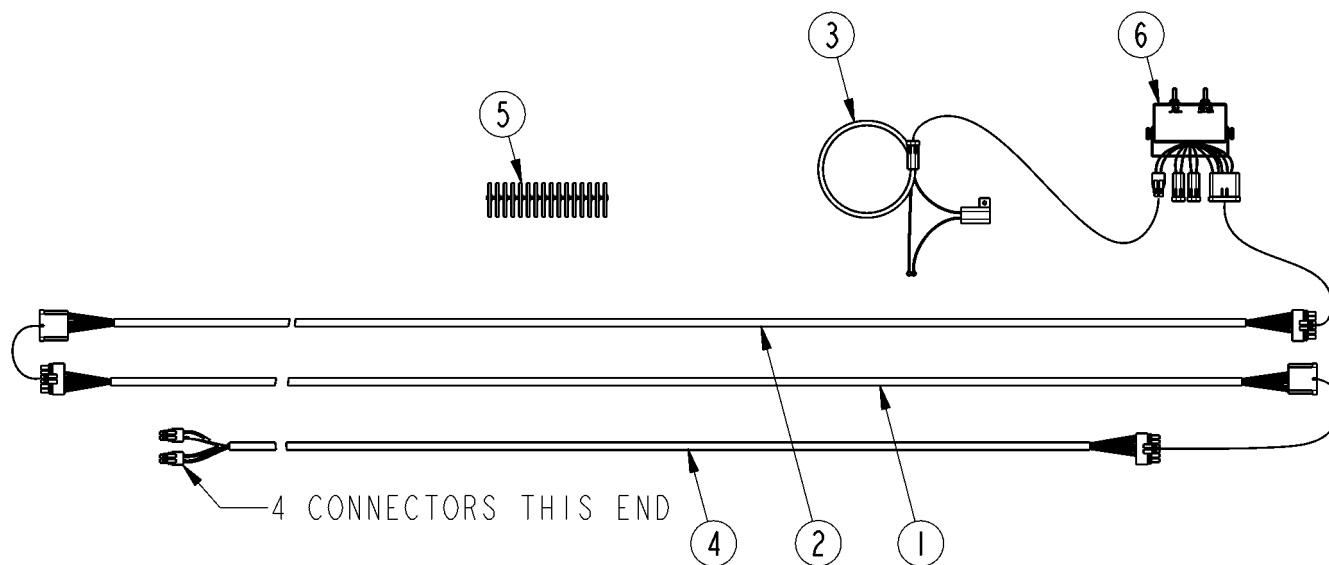
---

**Applies to AP-SSG2524**

<b>Ref</b>	<b>Part No.</b>	<b>Part Description</b>	<b>Comments</b>	<b>Revision</b>
	Dwg 33091 823-377C	Drawing Image Number CONTROL BOX SNOW BLOWER *		
1.	213-005	FASSE WSHR RBR1ODX1/4IDX1/16TK		
2.	800-303C	CABLE TIE 2 DIA MIN - BLK		
3.	219-007	FASSE SCR THUMB BLK 1/4-20X1/2		
4.	219-009	FASSE BRKT ALM 4.70 #1591C		
5.	250-007	FASSE SW TOG DPDT 3P MOM SHORT		
6.	250-023	FASSE SW TOG BOOT OPN BLK		
7.	255-092	FASSE CNTR WP 2 PIN SHROUD		
8.	255-093	WEATHERPACK CTR 2 PIN SHROUD		
9.	255-098	CNTR WP 6 PIN SHROUD		
10.	255-102	WEATHERPACK CTR MALE TRM 14/16		
11.	255-103	WEATHERPACK CNTR F TRM 14/16		
12.	255-104	WEATHERPACK CNTR CABLE SEAL GR		
13.	255-186	CNTR WP CAVITY PLUG		
14.	259-001	FASSE GROMMET .5000D SNAP		
15.	259-004	FASSE SW TOG GRP VNYL WHT .187		
16.	259-005	FASSE SW TOG GRP VNYL RED .187		
17.	304-345	ECL 1591CBK/6060A-2X1/2SWSXTSX		

# Control Harness

Applies to AP-SSG2524



35246

## **Control Harness**

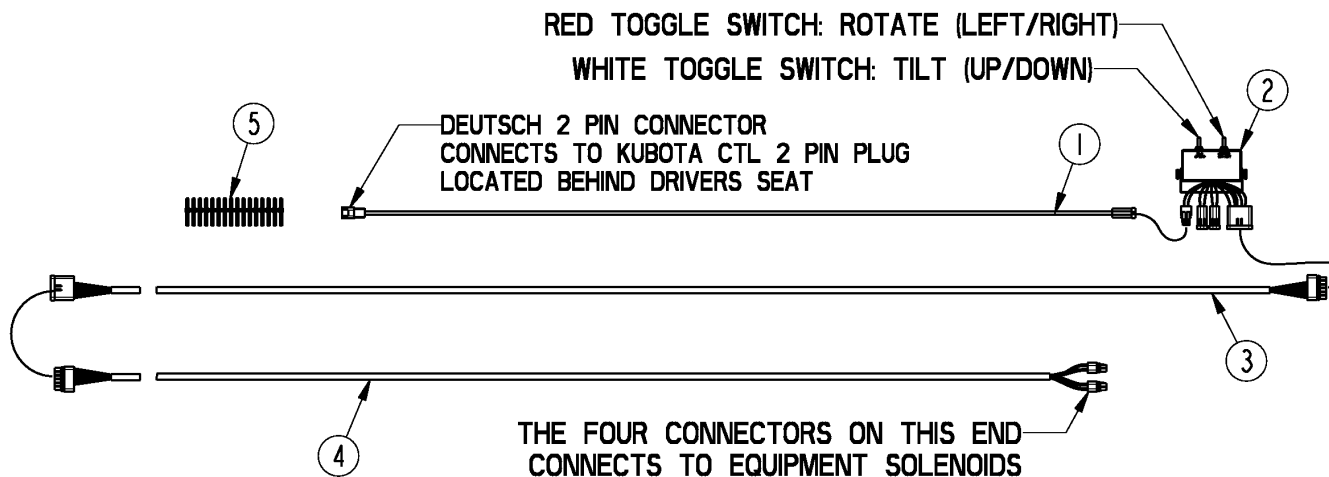
---

### **Applies to AP-SSG2524**

<b>Ref</b>	<b>Part No.</b>	<b>Part Description</b>	<b>Comments</b>	<b>Revision</b>
	Dwg 35246 370-134A	Drawing Image Number CONTROL HARNESS SKID *		
1.	823-385C	HARNESS EXTENSION		
2.	823-385C	HARNESS EXTENSION		
3.	823-386C	HARNESS, POWER		
4.	823-405C	HARNESS SOLENOID 2 PRIORITY		
5.	800-112C	CABLE TIE .19X7.25 1.75D 50LB		
6.	823-377C	CONTROL BOX 2 PRIORITY		

# Control Harness Kubota Skid W/ 2-Pin Power Supply

Applies to AP-SSG2524



## **Control Harness Kubota Skid W/ 2-Pin Power Supply**

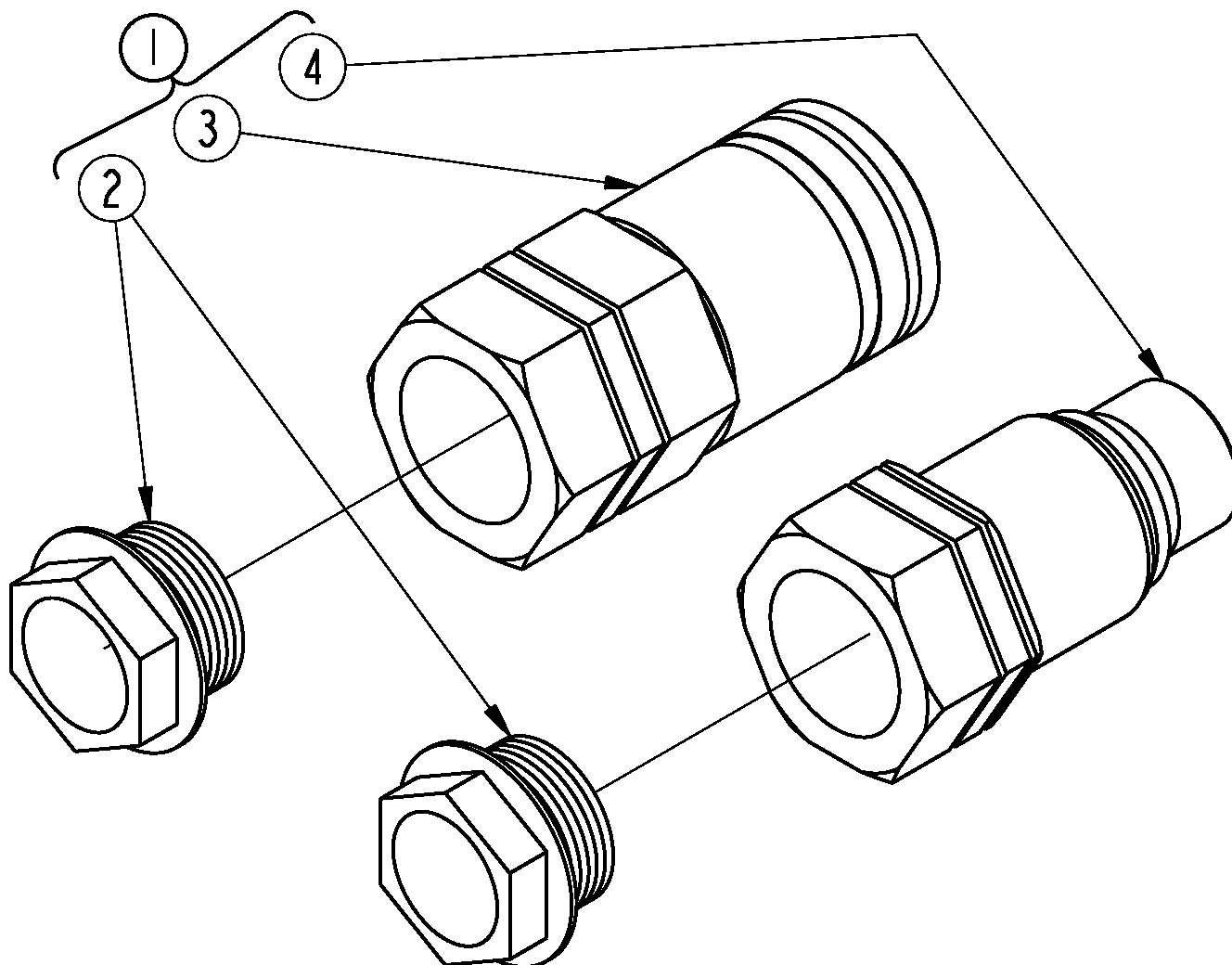
---

### **Applies to AP-SSG2524**

<b>Ref</b>	<b>Part No.</b>	<b>Part Description</b>	<b>Comments</b>	<b>Revision</b>
	Dwg 37144 370-434A	Drawing Image Number CONTROL HARNESS KUBOTA SKID *		
1.	823-439C	HRN DTP04-2P 14GA 2WPS /5'		
2.	823-377C	CONTROL BOX 2 PRIORITY		
3.	823-385C	HARNESS EXTENSION		
4.	823-405C	HARNESS SOLENOID 2 PRIORITY		
5.	800-112C	CABLE TIE .19X7.25 1.75D 50LB		

## Couplers Large Flat Faced

Applies to AP-SSG2524



37715

## ***Couplers Large Flat Faced***

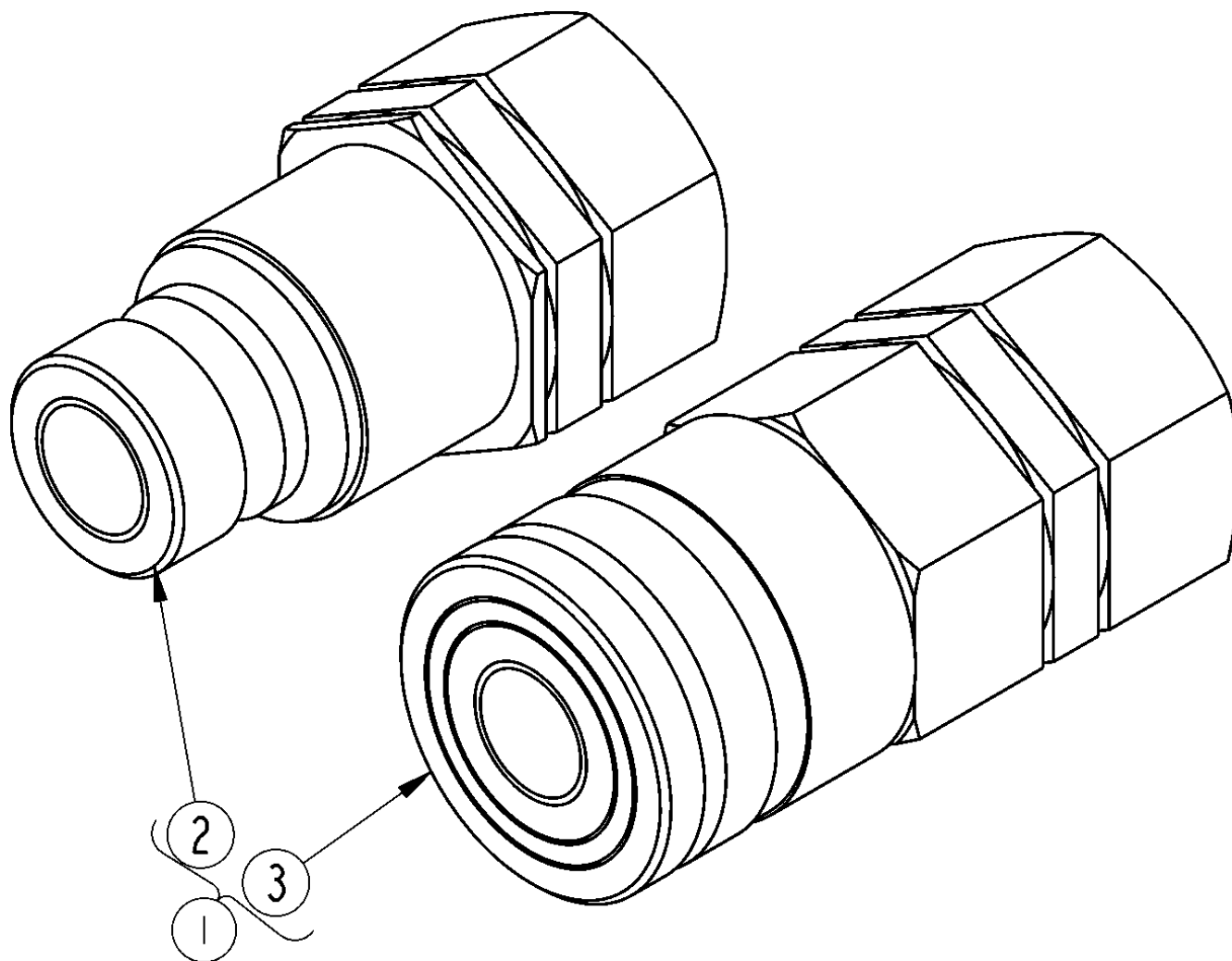
---

**Applies to AP-SSG2524**

<b>Ref</b>	<b>Part No.</b>	<b>Part Description</b>	<b>Comments</b>	<b>Revision</b>
	Dwg 37715	Drawing Image Number		
1.	328-113A	Couplers, Large Flat Faced		
2.	811-570C	AD 1 5/16MORB 1 1/16FORB		
3.	841-957C	CP 1 5/16FORB FEMALE QD		
4.	841-958C	CP 1 5/16FORB MALE QD		

## Couplers Quick Flat Faced

Applies to AP-SSG2524



35292



## ***Couplers Quick Flat Faced***

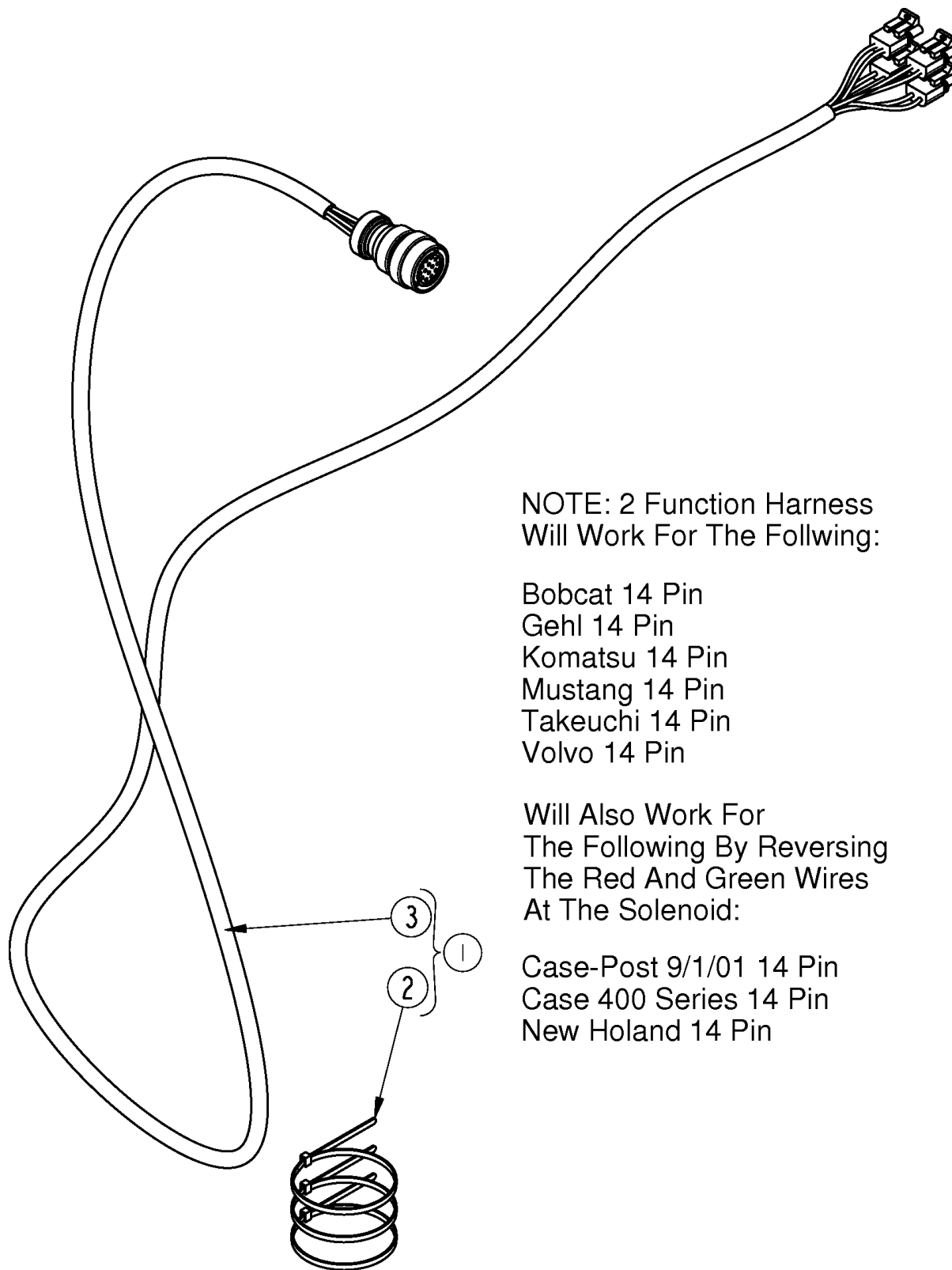
---

### **Applies to AP-SSG2524**

<b>Ref</b>	<b>Part No.</b>	<b>Part Description</b>	<b>Comments</b>	<b>Revision</b>
	Dwg 35292	Drawing Image Number		
1.	326-627A	COUPLERS, QUICK FLAT FACED		
2.	851-947C	CUP 1 1/16FORB MALE QUICK CPLR		
2.	811-744C	RPBY 851-947c	Obsolete	
3.	851-948C	CUP 1 1/16FORB FML QUICK CPLR		
3.	811-745C	RPBY 851-948c	Obsolete	

# Wiring Harness 14 Pin

Applies to AP-SSG2524



NOTE: 2 Function Harness  
Will Work For The Following:

- Bobcat 14 Pin
- Gehl 14 Pin
- Komatsu 14 Pin
- Mustang 14 Pin
- Takeuchi 14 Pin
- Volvo 14 Pin

Will Also Work For  
The Following By Reversing  
The Red And Green Wires  
At The Solenoid:

- Case-Post 9/1/01 14 Pin
- Case 400 Series 14 Pin
- New Holand 14 Pin

## **Wiring Harness 14 Pin**

---

### **Applies to AP-SSG2524**

<b>Ref</b>	<b>Part No.</b>	<b>Part Description</b>	<b>Comments</b>	<b>Revision</b>
	Dwg35289	Drawing Image Number		
1.	370-336A	WIRING HARNESS 14 PIN		
2.	800-060C	CABLE TIE .19X14.25 3DIA 50LB		
3.	823-417C	DEUTSCH HD30 14 PIN 2 FUNCTION		



# Part Number Index

The Part Number Index is a numeric index of all part numbers included in this manual. The index shows what page(s) the part is used on.

<u>Part Number</u>	<u>Page</u>	<u>Part Number</u>	<u>Page</u>	<u>Part Number</u>	<u>Page</u>
1D0007-850	13	802-017C	17, 31	850-007C	17
1D0206-1075	13	802-057C	7	851-208C	17, 31
1D1003-5	13	802-080C	9	851-209C	17, 31
1D1157-17	13	802-082C	17	851-947C	17, 41
1D1205-8	13	802-091C	7	851-948C	17, 41
1D1401-300	13	802-138C	7	858-398C	25
1D1551-16275	13	802-168C	17	858-490C	25
213-005	33	802-224C	7	86020133	21
219-007	33	803-084C	7, 9	86020379	21
219-009	33	803-169C	7, 9, 17	86020673	21
231-009	27	803-209C	17, 31	88400016	21
231-375	27	803-229C	9	990-296R	17
250-007	33	803-255C	7, 17	Dwg 12345	15
250-023	33	803-263C	7	Dwg 33091	33
252-007	27	804-007C	7	Dwg 33918	13
252-058	27	804-041C	9	Dwg 35246	35
255-092	33	805-032C	13	Dwg 35277	7
255-093	27, 33	805-246C	17	Dwg 35278	9
255-098	33	810-009C	13	Dwg 35279	11
255-101	27	810-384C	13, 15, 19	Dwg 35284	19
255-102	33	810-715C	17	Dwg 35292	41
255-103	33	810-840C	17, 21	Dwg 35475	27, 29
255-104	27, 33	811-170C	15, 19	Dwg 35860	21
255-186	33	811-171C	15, 19	Dwg 35952	17
255-806	27	811-408C	17	Dwg 35962	31
255-978	27	811-411C	17	Dwg 37144	37
255-979	27	811-570C	39	Dwg 37714	25
259-001	33	811-744C	17, 41	Dwg 37715	39
259-004	33	811-745C	17, 41	Dwg35289	43
259-005	33	816-504C	7	N/A	13
2A0079-616	13	816-759C	9		
2A0235-6	13	818-190C	25		
2A0235-8	13	818-339C	25		
2A0246-12	13	818-402C	25		
2A0580-1100	13	818-798C	25		
30103150	21	818-858C	25		
304-345	33	820-493C	11		
326-474A	29	820-494C	11		
326-627A	17, 41	820-495C	11		
328-108A	11	820-496C	11		
328-109K	31	820-497C	11		
328-113A	39	821-070C	23		
328-200H	7	821-070CGL	23		
328-201H	7	821-070CQT	23		
328-202H	7	821-070CTU	23		
328-207H	11	823-377C	33, 35, 37		
328-208K	9	823-385C	35, 37		
328-209H	9	823-386C	35		
328-210H	7	823-405C	35, 37		
328-211K	7	823-417C	27, 43		
328-290D	17, 31	823-418C	27		
328-404D	9	823-419C	27		
328-406D	7	823-439C	37		
328-434D	7	838-107C	25		
328-435D	17	838-295C	25		
328-436D	9	841-291C	17		
328-437D	9	841-539C	29		
370-134A	35	841-676C	17		
370-336A	43	841-816C	17		
370-434A	37	841-817C	17		
38400002	21	841-818C	15		
61010007	21	841-819C	15		
61010016	21	841-820C	19		
61010050	21	841-821C	19		
800-060C	29, 43	841-829C	17		
800-080C	7	841-876C	17		
800-112C	35, 37	841-957C	39		
800-303C	33	841-958C	39		
802-004C	17	842-028C	11		
802-010C	9	848-088C	25		

*This Page Intentionally Left Blank*



**KUBOTA TRACTOR CORPORATION**

1000 Kubota Drive, Grapevine, TX 76051

Telephone: (817) 756-1171

Western Division: 1175 S. Guild Ave., Lodi, CA 95240  
Telephone: (209) 334-9910

Central Division: 14855 FAA Blvd., Fort Worth, TX 76155  
Telephone: (817) 571-0900

Northern Division: 6300 at One Kubota Way, Groveport, OH 43125  
Telephone: (614) 835-1100

Southeast Division: 1025 Northbrook Parkway, Suwanee, GA 30024  
Telephone: (770) 995-8855

[www.kubota.com](http://www.kubota.com)

---