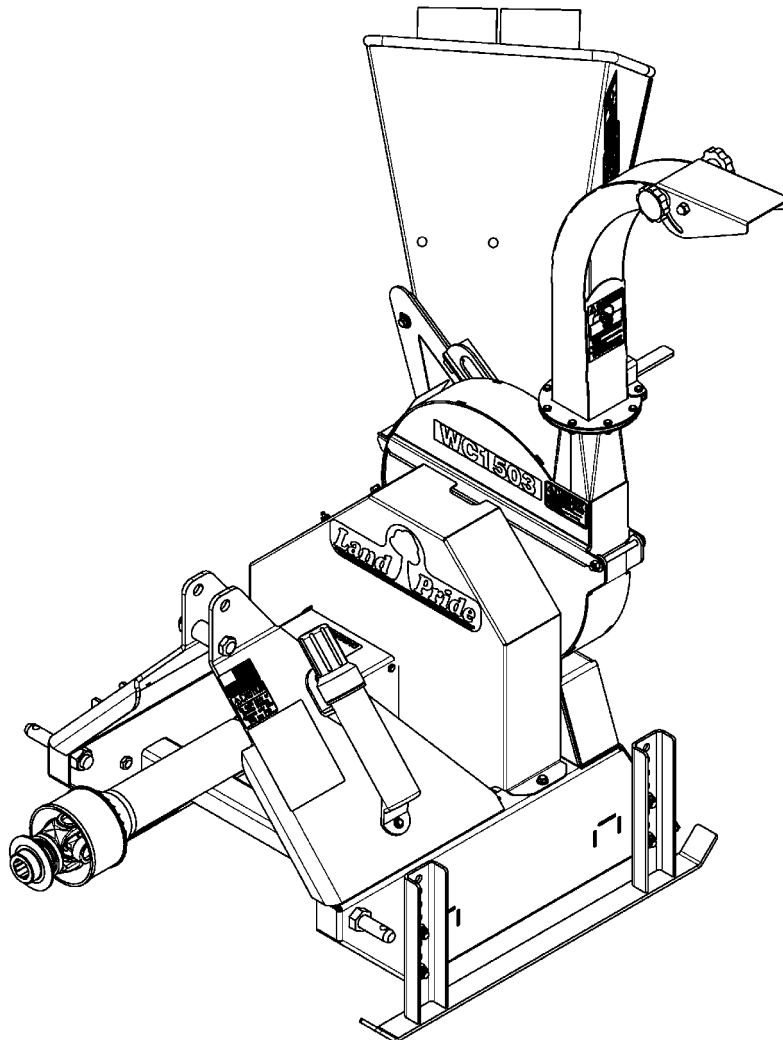


Wood Chippers

WC1503



35115

328-085P **Parts Manual**



Read the Operator's Manual entirely. When you see this symbol, the subsequent instructions and warnings are serious - follow without exception. Your life and the lives of others depend on it!

© Copyright 2019 Printed 02/21/19

Cover photo may show optional equipment not supplied with standard unit.





Table of Contents

| | |
|-----------------------------------------------------|-----------|
| Section 1: Introduction..... | 4 |
| Using This Manual..... | 4 |
| Manual Replacement Information..... | 4 |
| Manual Revisions..... | 4 |
| Touch-up Paint..... | 4 |
| Hardware Legend..... | 5 |
| Replacement Hardware..... | 5 |
| Serial Numbers..... | 5 |
| Part Number Service Coding..... | 5 |
| Section 2: Frame & Chute Components..... | 6 |
| Discharge Chute Components..... | 6 |
| Frame & Feed Chute Components S/N 795870-..... | 8 |
| Frame & Feed Chute Components S/N 795871+..... | 10 |
| Manual Tube..... | 12 |
| Section 3: Drive Components..... | 14 |
| Chipper Input Drive Components..... | 14 |
| Chipper Output Drive Components..... | 16 |
| Driveline (826-767C) Comer..... | 18 |
| Section 4: Decals..... | 20 |
| Decal Placement..... | 20 |
| Land Pride Touch-up Paints..... | 22 |
| | |
| Part Number Index..... | 24 |

© Copyright 2019. All rights reserved.

Land Pride provides this publication “as is” without warranty of any kind, either expressed or implied. While every precaution has been taken in the preparation of this manual, Land Pride assumes no responsibility for errors or omissions. Neither is any liability assumed for damages resulting from the use of the information contained herein. Land Pride reserves the right to revise and improve its products as it sees fit. This publication describes the state of this product at the time of its publication, and may not reflect the product in the future. The illustrations in this manual are not intended for safe and proper assembly or disassembly of equipment. The illustrations are intended for ordering parts only.

Land Pride is registered trademark.

All other brands and product names are trademarks or registered trademarks of their respective holders.

Printed in the United States of America.



Alphabetized Table of Contents

C

| | |
|--------------------------------------|----|
| Chipper Input Drive Components..... | 14 |
| Chipper Output Drive Components..... | 16 |

D

| | |
|---------------------------------|----|
| Decal Placement..... | 20 |
| Discharge Chute Components..... | 6 |
| Driveline (826-767C) Comer..... | 18 |

F

| | |
|------------------------------------------------|----|
| Frame & Feed Chute Components S/N 795870-..... | 8 |
| Frame & Feed Chute Components S/N 795871+..... | 10 |

L

| | |
|---------------------------------|----|
| Land Pride Touch-up Paints..... | 22 |
|---------------------------------|----|

M

| | |
|------------------|----|
| Manual Tube..... | 12 |
|------------------|----|

General Information

Using This Manual

This manual is divided into sections. The first section contains General Information. The remaining sections divide the machine into segments (i.e. Frames, Drives, Hydraulics, etc.) which illustrate and list all parts. A Parts Number Index is located at the back of the book.

The Land Pride parts in this manual are specially designed for this machine and should be replaced with Land Pride parts only.

The information in this manual is current at time of printing. Some parts may change to assure top performance.

Right-hand and left-hand as used in this manual are determined by facing the direction the machine will travel while in use.

Below is an example of two facing pages from a parts manual. Familiarize yourself with the type of information contained on these pages.

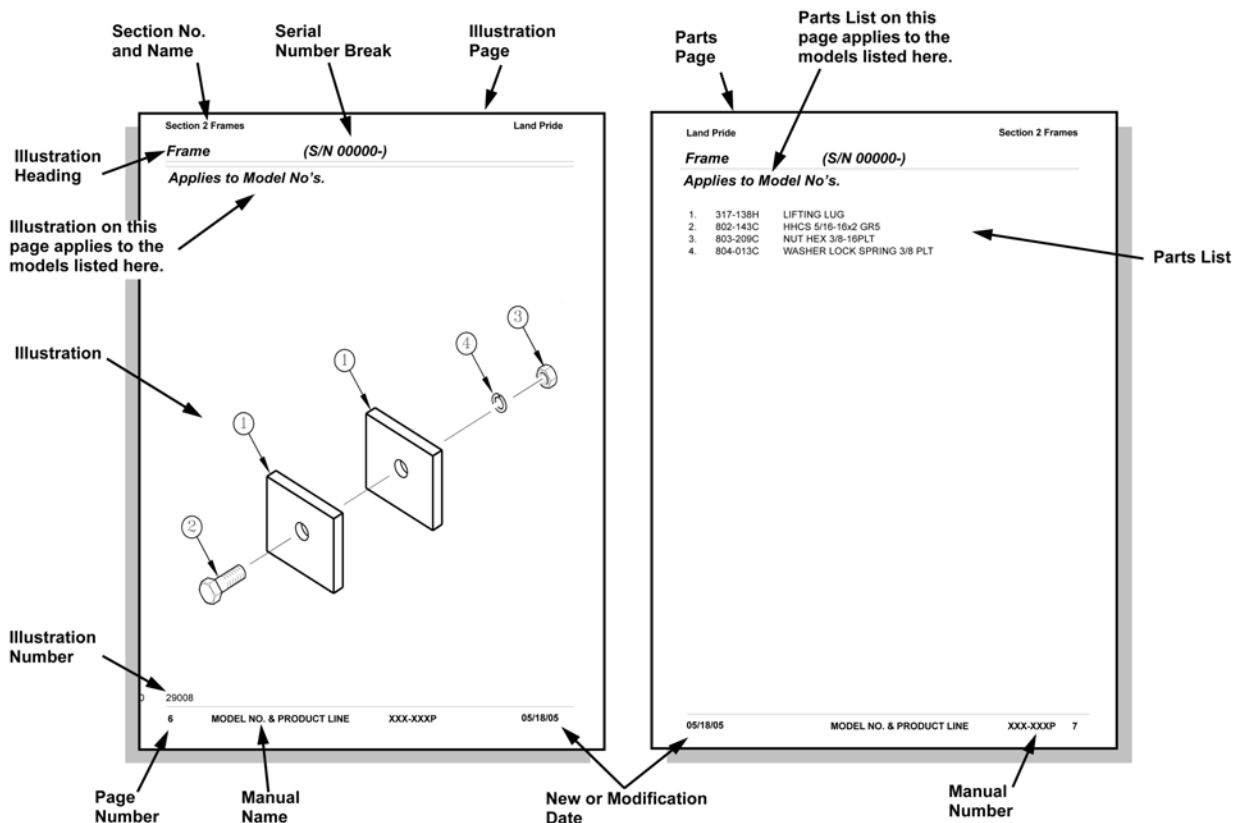
Manual Replacement Information

Replacement manuals are available. Refer to our website at www.landpride.com or e-mail us at lit@landpride.com for additional information. Our website continues to provide the most up-to-date manuals available.

Touch-up Paint

Repaint parts where paint is worn or scratched to prevent rust. Aerosol cans and touch-up bottles with brush applicator are available through your local dealer. Also available are quart and gallon size paints. Add QT or GL to end of the Aerosol P/N.

Land Pride color descriptions and part numbers are listed on the "Land Pride Touch-up Paints" page in the "Decals" section of this book. Color options vary by product.



General Information

Hardware Legend

| | |
|-----------------|--------------------------------------------------|
| AR | As Required |
| BLADE | Blade Bolt |
| C | Cap Screw |
| CP | Cotter Pin |
| CPHSSS | Cup Point Hex Socket Set Screw |
| CPSHSS | Cup Point Square Head Set Screw |
| CPSQHSS | Cup Point Square Head Set Screw |
| CRFCHMS3 | Cross Recess Flat Countersunk Head Machine Screw |
| CRPHMS | Cross Recess Pan Head Machine Screw |
| CRPHTF | Cross Recess Pan Head Thread Forming |
| CRRHMS | Cross Recess Round Head Machine Screw |
| CRTHMS | Cross Recess Truss Head Machine Screw |
| CSNB | Countersunk Square Neck Bolt |
| FHMS | Flat Head Machine Screw |
| FTC | Full Thread Cap Screw |
| H | Hex Nut |
| HCLN | Hex Center Lock Nut |
| HFLCS | Hex Flange Lock Cap Screw |
| HFS | Hex Flange Screw |
| HFSLN | Hex Flange Serrated Lock Nut |
| HFSS | Hex Flange Serrated Screw |
| HHCS | Hex Head Cap Screw or Metric Bolt |
| HSBHCS | Hex Socket Button Head Cap Screw |
| HSFCHCS | Hex Socket Flat Countersunk Head Cap Screw |
| HSHCS | Hex Socket Head Cap Screw |
| HSSS | Hex Socket Head Screw |
| HTLN | Hex Top Lock Nut |
| HWHCS | Hex Washer Head Cap Screw |

| | |
|-----------------------|---------------------------------------------|
| HWHMS | Hex Washer Head Machine Screw |
| HXBHCS | Hex Socket Button Head Cap Screw |
| J | Hex Jam Nut |
| JIC | 37 Degree Tapered Thread |
| L | Helical Spring Lock Washer |
| LUG | Lug Bolt |
| NFC | National Fine Cap Screw |
| NPSM | National Pipe Straight Mechanical |
| NPTF | National Pipe Taper Fuel |
| P | Wide Plain Washer |
| PHMS | Pan Head Machine Screw |
| PLOW | Plow Bolt |
| RHMS | Round Head Machine Screw |
| RHSNB | Round Head Square Neck Bolt |
| SCREW LEVELING | Leveling Screw |
| SCREW THUMB | Thumb Screw |
| SCREW WELD | Weld Screw |
| SFCHMS | Slotted Flat Countersunk Head Machine Screw |
| SFHMS | Slotted Fillister Head Machine Screw |
| SP | Special |
| SP SCREW | Special Screw |
| SQHSS | Square Head Set Screw |
| SRHMS | Slotted Round Head Machine Screw |
| SSS | Socket Set Screw |
| STCS | Self Tapping Cap Screw |
| STHMS | Slotted Truss Head Machine Screw |
| WHEEL | Wheel Studs and Hub Long Bolts |
| WING | Wing Bolt |

Replacement Hardware

The **Hardware Legend** above lists hardware abbreviations used in the parts list. All bolts and nuts are Grade 5 unless otherwise noted. The use of improper grades of hardware can result in personal injury, damage to equipment, or loss of property.

Colored Replacement Parts

Land Pride offers replacement parts in factory standard colors and also on select models in Green, Orange, Red and Blue. Because of the variety of colors available, special attention must be given to the part number to prevent ordering the wrong replacement part.

A suffix number corresponding to one of the colors below must be added at the end of Land Pride's part number when ordering a replacement part with that color.

- | | |
|-----------------------------------|---------------------------------|
| 81 Green | 83 Red |
| 82 Orange | 84 Blue |

For example, if you are ordering a replacement part with part number 555-555C and the part you need is red, then add the suffix 83 to the end of the number to make the part number read 555-555C83. Parts ordered without a suffix number will be supplied in factory standard colors.

Black Replacement Parts

Some parts are factory standard black and some must be special ordered black. If your part is special ordered black, a second part number with the additional suffix number 85 on the end will be available. In this situation you must order that part with the suffix number for it to be black. Parts that are factory standard black will not have the suffix number.

Part Number Service Coding

Within the parts list some part numbers are coded for revisions and interchangeability. See notations in revision column.

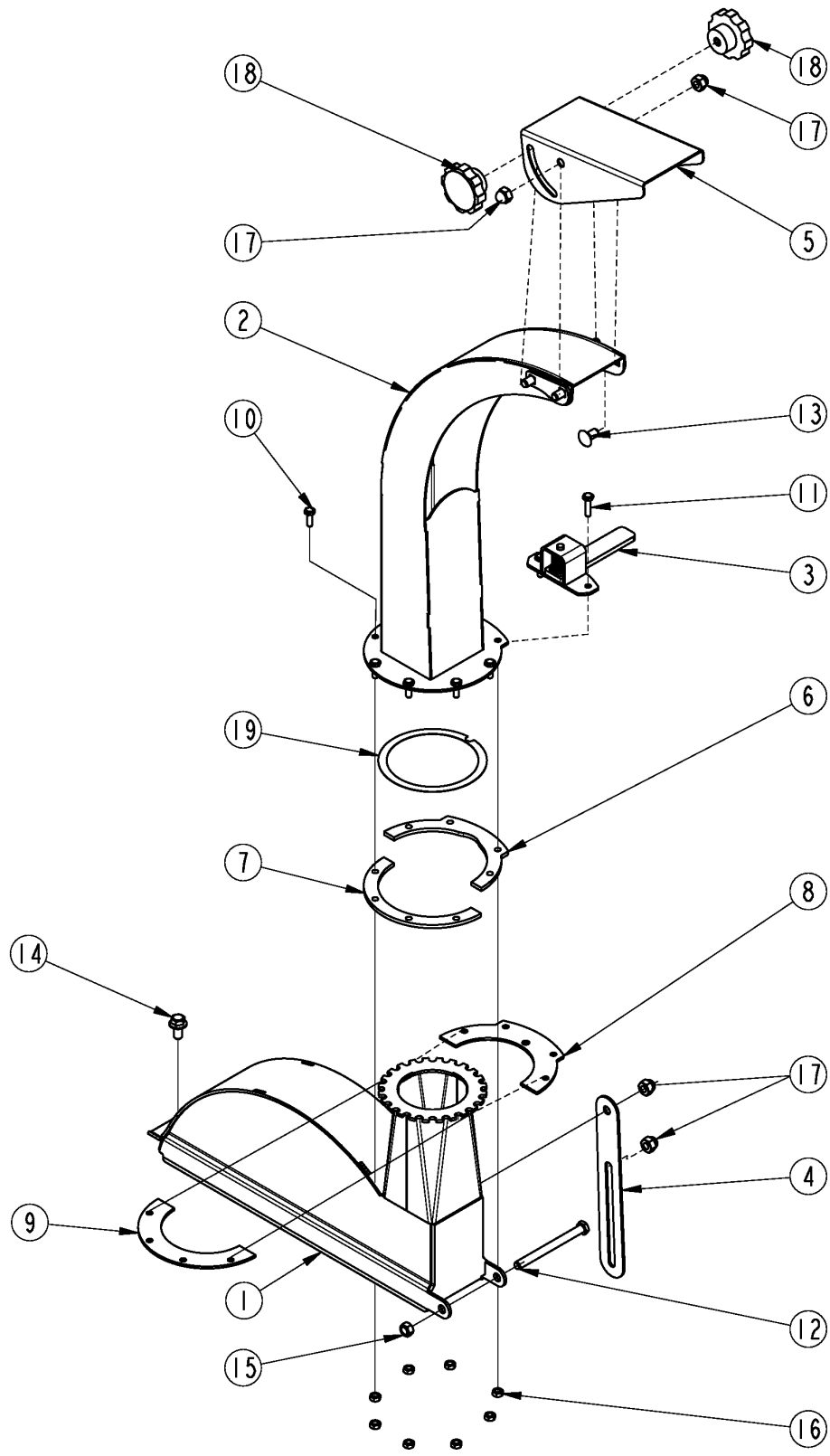
Serial Numbers

Always use the serial and model number when ordering parts. Refer to the Operator's Manual for serial number plate location.

- | | |
|----------------------|------------------------------------------------------------------|
| (S/N 20001+) | Includes serial numbers 20001 and above (to the latest number) |
| (S/N 10001 to 20000) | Includes serial numbers between and including 10001 and 20000 |
| (S/N 10000-) | Includes serial numbers 10000 and below (to the earliest number) |

Discharge Chute Components

Applies to WC1503



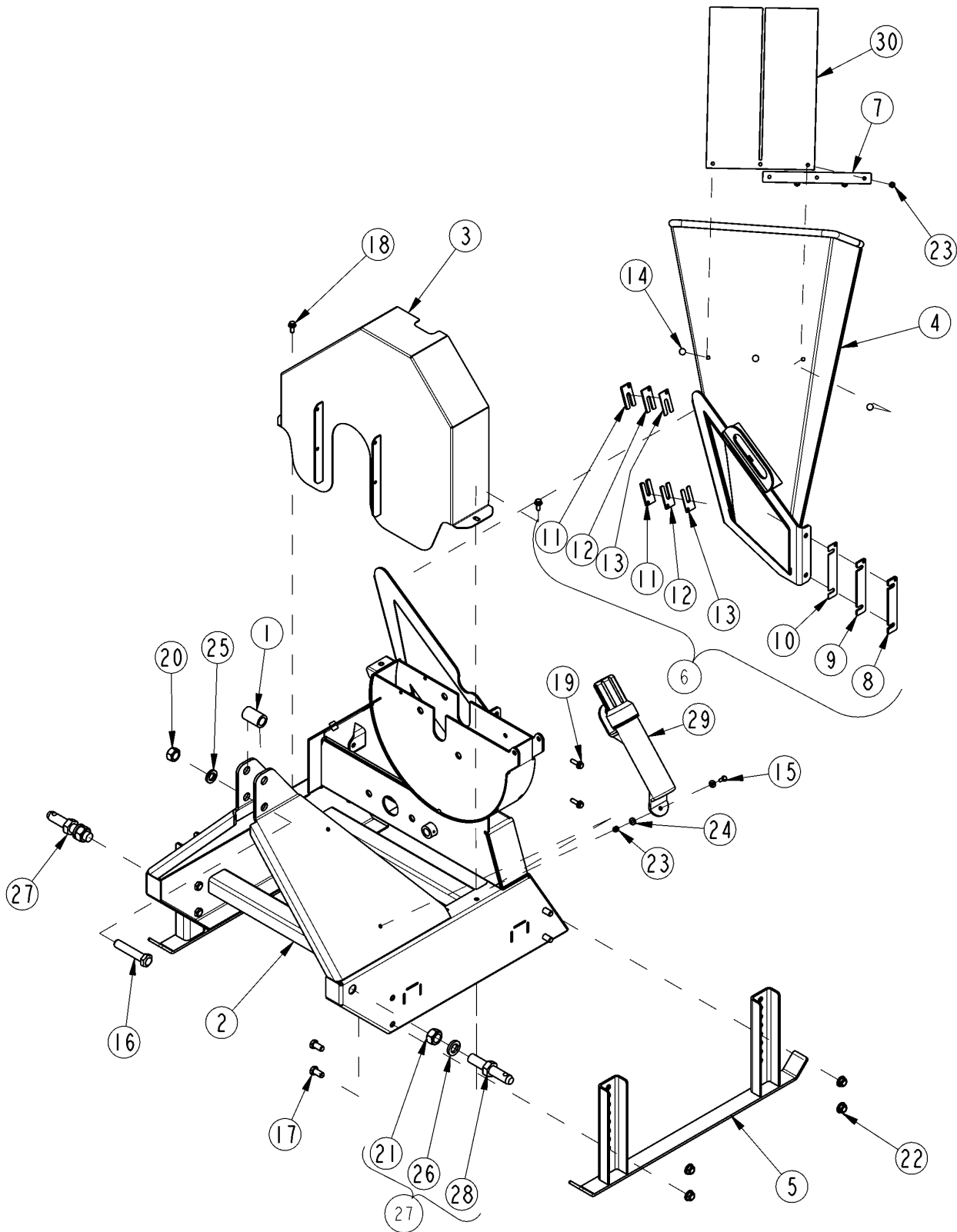
35179

Discharge Chute Components**Applies to WC1503**

| Ref | Part No. | Part Description | Comments | Revision |
|------------|-----------------|--------------------------------|-----------------|-----------------|
| | Dwg 35179 | Drawing Image Number | | |
| 1. | 328-061H | HOUSING, UPPER ROTOR | | |
| 1. | 328-061H81 | HOUSING, UPPER ROTOR GREEN | | |
| 1. | 328-061H82 | HOUSING, UPPER ROTOR ORANGE | | |
| 2. | 328-062H | DISHCHARGE CHUTE WLDMT | | |
| 3. | 328-064H | ROTATION CHUTE LOCK WLDMT | | |
| 4. | 328-166D | STRAP LOCKING | | |
| 5. | 328-174D | DEFLECTOR, CHUTE | | |
| 6. | 328-177D | SPACER FRONT HALF RING | | |
| 7. | 328-178D | SPACER REAR HALF RING | | |
| 8. | 328-179D | CLAMP LOWER CHUTE FRONT | | |
| 9. | 328-180D | CLAMP LOWER CHUTE REAR | | |
| 10. | 802-004C | HHCS 1/4-20X3/4 GR5 | | |
| 11. | 802-005C | HHCS 1/4-20X1 GR5 | | |
| 12. | 802-750C | HHCS 3/8-16X4 1/4 GR5 | S/N 935682+ | |
| 12. | 802-017C | HHCS 3/8-16X1 GR5 | S/N 935681- | |
| 13. | 802-149C | RHSNB 3/8-16X3/4 GR5 | | |
| 14. | 802-185C | HFSS 3/8-16X3/4 LG | | |
| 15. | 803-013C | NUT LOCK 3/8-16 PLT | | |
| 16. | 803-007C | NUT LOCK 1/4-20 PLT | | |
| 17. | 803-380C | NUT,3/8-16 PLT REGULAR ACORN | | |
| 18. | 817-259C | KNOB 3/8-16 FEMALE THD 2 3/8OD | | |
| 19. | 817-986C | UHMW CHUTE BEARING | | |

Frame & Feed Chute Components S/N 795870-

Applies to WC1503



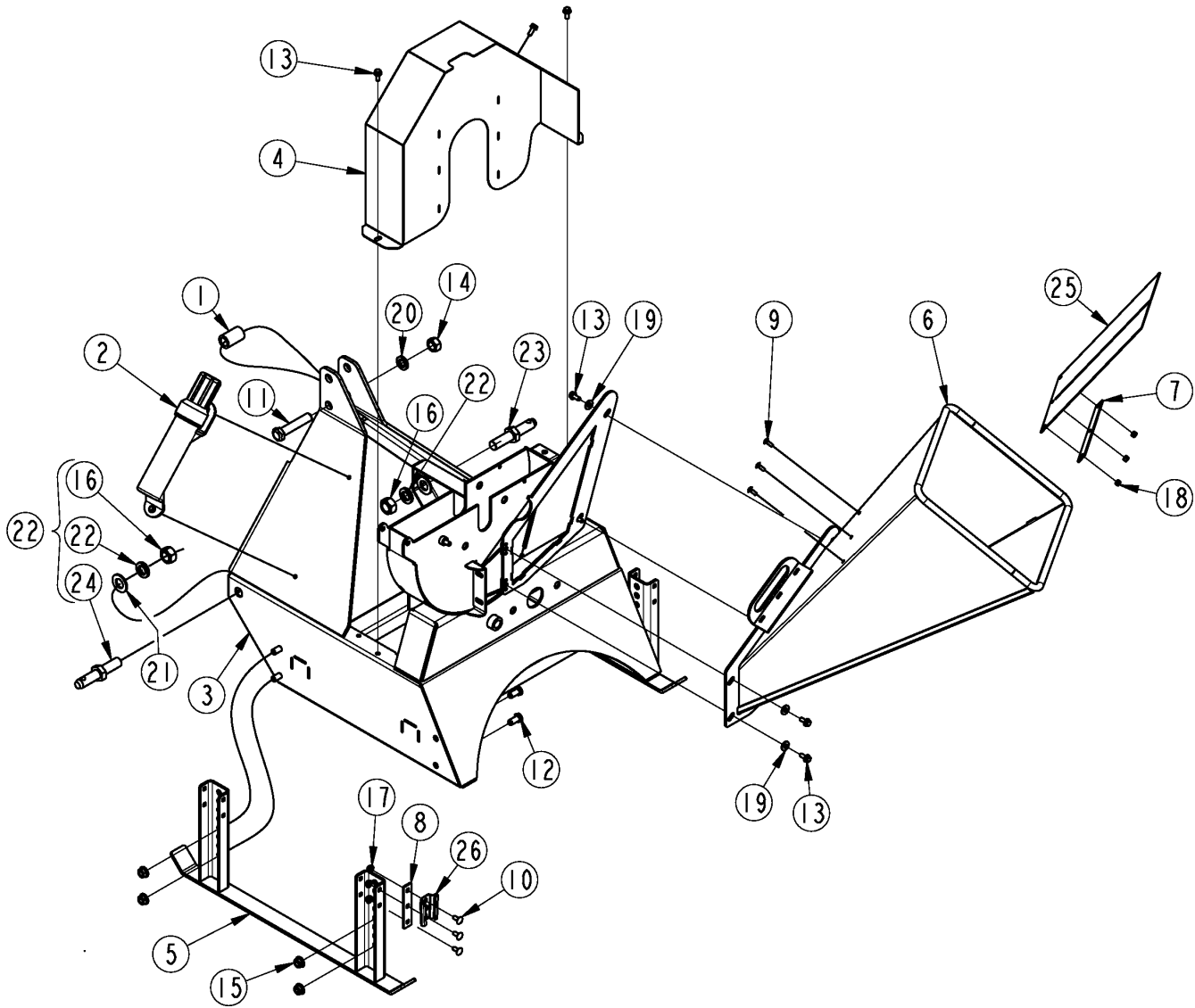
35116

Frame & Feed Chute Components S/N 795870-**Applies to WC1503**

| Ref | Part No. | Part Description | Comments | Revision |
|-----|------------|--------------------------------|----------|----------|
| | dwg35116 | Drawing Image Number | | |
| 1. | 308-400D | SPACER 1 1/4OD X 13/16ID X 2LG | | |
| 2. | 328-057H | FRAME LOWER WLDMT | | |
| 2. | 328-057H81 | FRAME LOWER WLDMT GREEN | | |
| 2. | 328-057H82 | FRAME LOWER WLDMT ORANGE | | |
| 3. | 328-060H | PULLEY SHROUD | | |
| 3. | 328-060H81 | PULLEY SHROUD GREEN | | |
| 3. | 328-060H82 | PULLEY SHROUD ORANGE | | |
| 4. | 328-065H | FEED CHUTE WLDMT 3" | | |
| 4. | 328-065H81 | FEED CHUTE WLDMT 3" GREEN | | |
| 4. | 328-065H82 | FEED CHUTE WLDMT 3" ORANGE | | |
| 5. | 328-078H | SKID EXTENSION | | |
| 6. | 328-102A | SHIM KIT REAR INLET | | |
| 7. | 328-191D | HOLD DOWN STRAP | | |
| 8. | 328-283D | SHIM .187 LH REAR INLET | | |
| 9. | 328-284D | SHIM .134 LH REAR INLET | | |
| 10. | 328-285D | SHIM .075 LH REAR INLET | | |
| 11. | 328-286D | SHIM .187 RH REAR INLET | | |
| 12. | 328-287D | SHIM .134 RH REAR INLET | | |
| 13. | 328-288D | SHIM .075 RH REAR INLET | | |
| 14. | 802-002C | RHSNB 1/4-20X3/4 GR5 | | |
| 15. | 802-004C | HHCS 1/4-20X3/4 GR5 | | |
| 16. | 802-204C | HHCS 3/4-10X3 3/4 GR5 | | |
| 17. | 802-258C | HHCS 1/2-13X1 GR5 | | |
| 18. | 802-387C | HFS 5/16-18X3/4 GR5 | | |
| 19. | 802-431C | HFSS 5/16-18X1 GR5 PLT | | |
| 20. | 803-027C | NUT HEX 3/4-10 PLT | | |
| 21. | 803-149C | NUT HEX 7/8-14 PLT | | |
| 22. | 803-169C | NUT HEX FLG LOCK 1/2-13 PLT | | |
| 23. | 803-255C | NUT HEX NYLOCK 1/4-20 | | |
| 24. | 804-007C | WASHER FLAT 1/4 SAE PLT | | |
| 25. | 804-023C | WASHER LOCK SPRING 3/4 PLT | | |
| 26. | 804-037C | WASHER LOCK SPRING 7/8 PLT | | |
| 27. | 805-111C | PIN HTCH C1 7/8-14 THD W/N | | |
| 28. | N/A | PIN DRAW 7/8 X 5 | | |
| 29. | 816-504C | MANUAL STORAGE CONTAINER | | |
| 30. | 816-699C | RUBBER FLAP | | |

Frame & Feed Chute Components S/N 795871+

Applies to WC1503



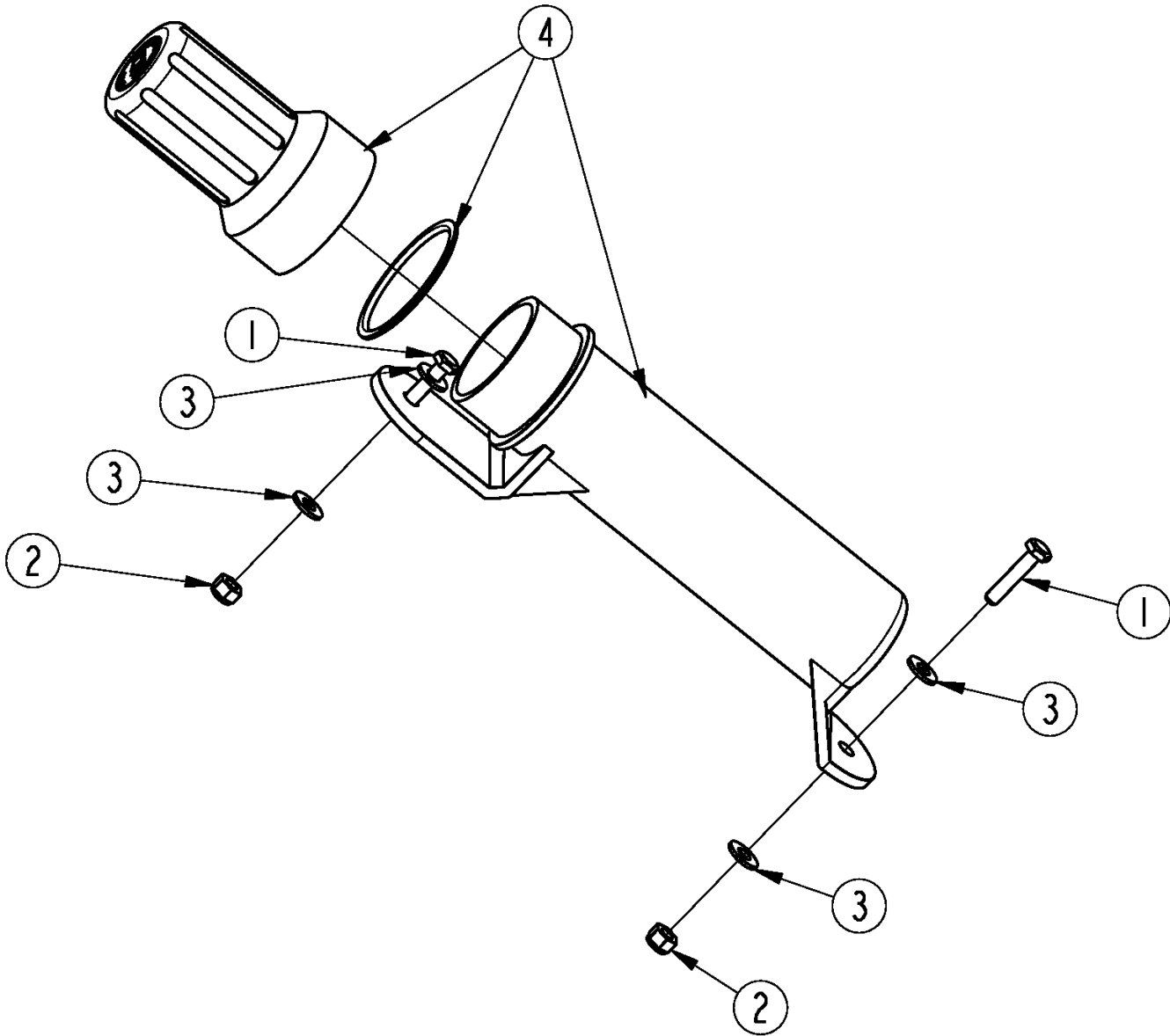
35467

Frame & Feed Chute Components S/N 795871+**Applies to WC1503**

| Ref | Part No. | Part Description | Comments | Revision |
|-----|------------|--------------------------------|------------|----------|
| | Dwg 35467 | Drawing Image Number | | |
| 1. | 308-400D | SPACER 1 1/4OD X 13/16ID X 2LG | | |
| 2. | 326-283S | MANUAL CONTAINER KIT, 3/4" | | |
| 3. | 328-057H | FRAME LOWER WLDMT | | |
| 3. | 328-057H81 | FRAME LOWER WLDMT GREEN | | |
| 3. | 328-057H82 | FRAME LOWER WLDMT ORANGE | | |
| 4. | 328-060H | PULLEY SHROUD | | |
| 4. | 328-060H81 | PULLEY SHROUD GREEN | | |
| 4. | 328-060H82 | PULLEY SHROUD ORANGE | | |
| 5. | 328-078H | SKID EXTENSION | | |
| 6. | 328-103H | FEED CHUTE WLDMT 3" | | |
| 6. | 328-103H81 | FEED CHUTE WLDMT 3" GREEN | | |
| 6. | 328-103H82 | FEED CHUTE WLDMT 3" ORANGE | | |
| 7. | 328-191D | HOLD DOWN STRAP | | |
| 8. | 328-336D | SMV MOUNT BRACKET | S/N _____+ | |
| 9. | 802-002C | RHSNB 1/4-20X3/4 GR5 | | |
| 10. | 802-092C | RHSNB 5/16-18X3/4 GR5 | S/N _____+ | |
| 11. | 802-204C | HHCS 3/4-10X3 3/4 GR5 | | |
| 12. | 802-258C | HHCS 1/2-13X1 GR5 | | |
| 13. | 802-387C | HFS 5/16-18X3/4 GR5 | | |
| 14. | 803-027C | NUT HEX 3/4-10 PLT | | |
| 15. | 803-037C | NUT HEX WHIZ 1/2-13 PLT GR5 | | |
| 16. | 803-149C | NUT HEX 7/8-14 PLT | | |
| 17. | 803-177C | NUT HEX FLG TP LK 5/16-18ZNYCR | S/N _____+ | |
| 18. | 803-255C | NUT HEX NYLOCK 1/4-20 | | |
| 19. | 804-010C | WASHER FLAT 5/16 USS PLT | | |
| 20. | 804-023C | WASHER LOCK SPRING 3/4 PLT | | |
| 21. | 804-026C | WASHER FLAT 7/8 SAE PLT | | |
| 22. | 804-037C | WASHER LOCK SPRING 7/8 PLT | | |
| 23. | 805-111C | PIN HTCH C1 7/8-14 THD W/N | | |
| 24. | N/A | PIN HTCH C1 7/8-14 THD | | |
| 25. | 816-699C | RUBBER FLAP | | |
| 26. | 890-401C | SMV MOUNTING SOCKET | S/N _____+ | |

Manual Tube

Applies to WC1503



39163

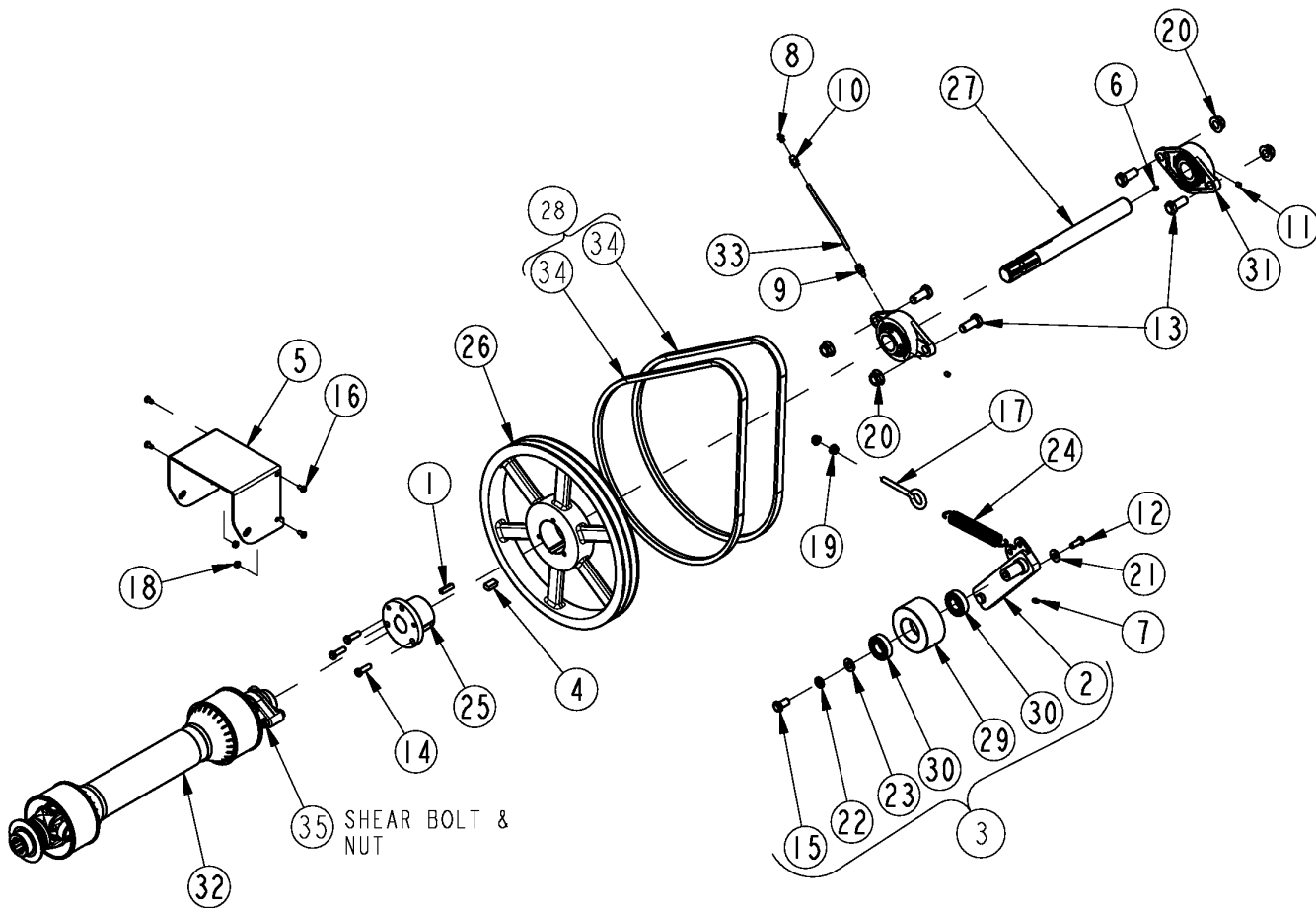
Manual Tube

Applies to WC1503

| Ref | Part No. | Part Description | Comments | Revision |
|------------|-----------------------|----------------------------------------------|-----------------|-----------------|
| | Dwg 39163 326-283S | Image No. MANUAL CONTAINER KIT, 3/4" * | | |
| 1. | 802-004C | HHCS 1/4-20X3/4 GR5 | | |
| 2. | 803-255C | NUT HEX NYLOCK 1/4-20 | | |
| 3. | 804-007C | WASHER FLAT 1/4 SAE PLT | | |
| 4. | 816-504C | MANUAL STORAGE CONTAINER | | |

Chipper Input Drive Components

Applies to WC1503



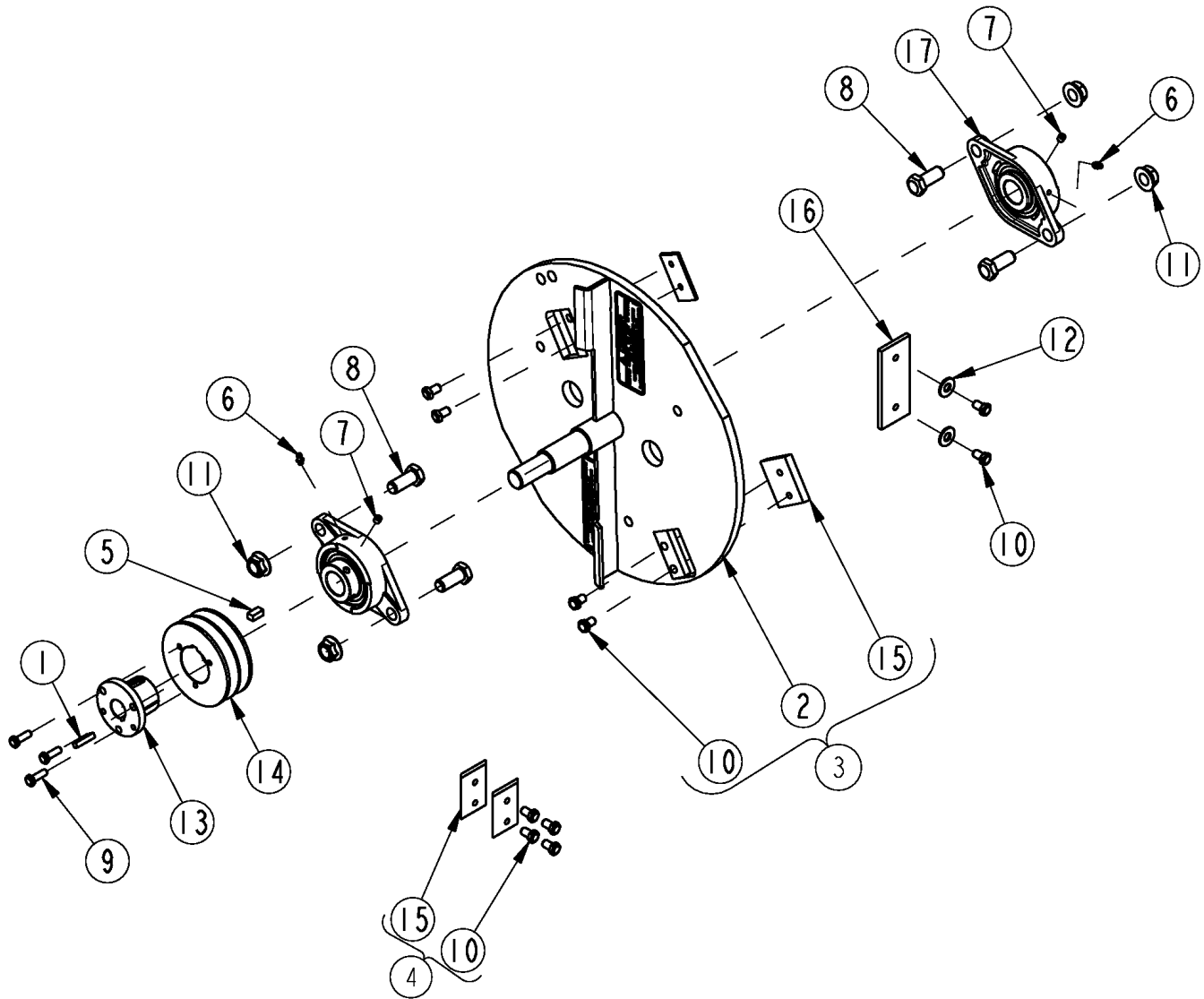
35180

Chipper Input Drive Components**Applies to WC1503**

| Ref | Part No. | Part Description | Comments | Revision |
|-----|-------------|--------------------------------|---------------------|----------|
| | dwg35180 | Drawing Image Number | | |
| 1. | 314-099D | KEY 5/16 X 1 1/4 LONG | | |
| 2. | 328-058H | IDLER ARM WLDMT | | |
| 3. | 328-059S | IDLER ARM ASY | | |
| 4. | 328-145D | KEY RECT 1/2 X 3/8 X 1" LG | | |
| 5. | 328-169D | INPUT SHIELD | | |
| 6. | 800-001C | GREASE ZERK STRAIGHT 1/4-28 | | |
| 7. | 800-080C | GREASE ZERK 1/4-28 THD FORMING | | |
| 8. | 800-130C | GREASE ZERK STRAIGHT 1/8-27NPT | | |
| 9. | 800-211C | GREASE ADAPT 1/4-28M X 1/4 TB | | |
| 10. | 800-372C | FTG TUBE, PUSH CONNECT 1/8NPT | | |
| 11. | 801-027C | SCR HEX SCKT. 5/16-24 X 5/16 | | |
| 12. | 802-017C | HHCS 3/8-16X1 GR5 | | |
| 13. | 802-051C | HHCS 5/8-11X1 1/2 GR5 | | |
| 14. | 802-079C | HHCS 3/8-16X1 1/4 GR5 | | |
| 15. | 802-258C | HHCS 1/2-13X1 GR5 | | |
| 16. | 802-301C | HHCS 1/4-20X1/2 GR5 | | |
| 17. | 802-674C | CLOSED EYE BOLT 3/8-16X4 1/2 | | |
| 18. | 803-007C | NUT LOCK 1/4-20 PLT | | |
| 19. | 803-068C | NUT HEX FLANGE 3/8-16 PLT | | |
| 20. | 803-196C | NUT HEX FLANGE 5/8-11 PLT | | |
| 21. | 804-011C | WASHER FLAT 3/8 USS PLT | | |
| 22. | 804-015C | WASHER LOCK SPRING 1/2 PLT | | |
| 23. | 804-016C | WASHER FLAT 1/2 SAE PLT | | |
| 24. | 807-272C | SPRING EXT 1.00OD .148W 6.50L | | |
| 25. | 808-445C | BSHG, Q1 SPLIT TAPER | | |
| 26. | 808-447C | PULLEY, 2TB160 SHEAVE | | |
| 27. | 815-391C | DRIVE SHAFT 1 3/8-6 W/KEYWAY | | |
| 28. | 816-737C | V-BELT, B-SEC. 59 PL (PAIR) | | |
| 29. | 817-950C | BELT TENSIONER 2BELT UHMW | | |
| 30. | 822-257C | BRG, 1.00IDX2.046ODX.59SEAL | | |
| 31. | 822-275C | BRG, FLG 1 3/8ID 2 BOLT | | |
| 32. | 826-767C | DRIVELINE 540,1700NM SHEARBOLT | | |
| 33. | 990-109R | TUBE NYLON 1/4OD X 062WL | 1 FT. Sold per Foot | |
| 34. | N/A | V-BELT, B-SEC. 59 PL | | |
| 35. | 165.000.505 | CO BOLT & NUT M8X50 CL.8.8 | | |

Chipper Output Drive Components

Applies to WC1503



35181

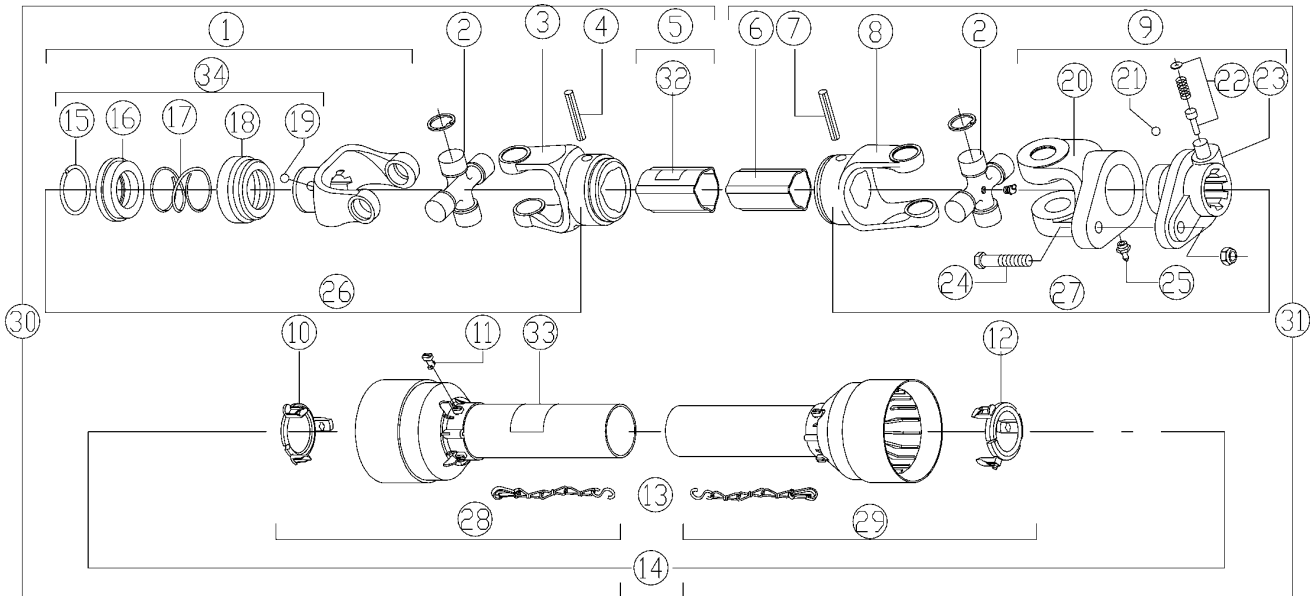
Chipper Output Drive Components

Applies to WC1503

| Ref | Part No. | Part Description | Comments | Revision |
|------------|-----------------|--------------------------------|-----------------|-----------------|
| | dwg35181 | Drawing Image Number | | |
| 1. | 168-276D | KEY 1/4 X 1/4 X 1 1/4 LG | | |
| 2. | 328-055H | ROTOR WLDMT | | |
| 3. | 328-056S | ROTOR W/KNIVES | | |
| 4. | 328-106A | KNIVE/BOLT KIT | Service Part | |
| 5. | 328-144D | KEY RECT 3/8 X 5/16 X 3/4 LG | | |
| 6. | 800-001C | GREASE ZERK STRAIGHT 1/4-28 | | |
| 7. | 801-027C | SCR HEX SCKT. 5/16-24 X 5/16 | | |
| 8. | 802-051C | HHCS 5/8-11X1 1/2 GR5 | | |
| 9. | 802-159C | HHCS 5/16-18X1 GR5 | | |
| 10. | 802-961C | HHCS 3/8-24X5/8 G8 PLT THD-LCK | | |
| 11. | 803-196C | NUT HEX FLANGE 5/8-11 PLT | | |
| 12. | 804-011C | WASHER FLAT 3/8 USS PLT | | |
| 13. | 808-444C | BSHG, P1 SPLIT TAPER | | |
| 14. | 808-446C | PULLEY, 2TB42 SHEAVE | | |
| 15. | 820-472C | KNIFE REVERSIBLE - 17.5 ROTOR | | |
| 16. | 820-476C | KNIFE, LEDGER 3" | | |
| 17. | 822-274C | BRG, FLG 1 1/4ID 2 BOLT | | |

Driveline (826-767C) Comer

Applies to WC1503



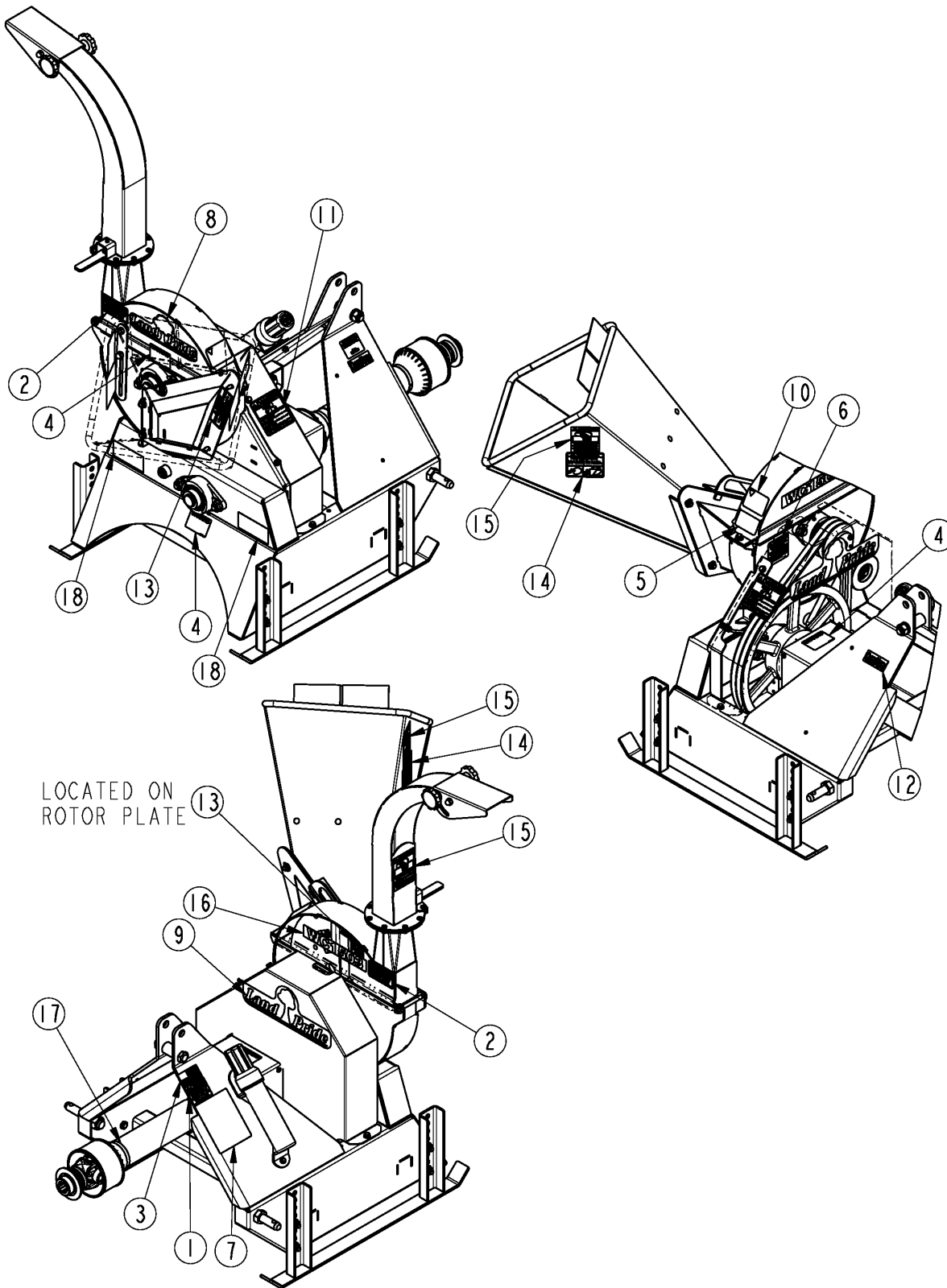
35226

Driveline (826-767C) Comer**Applies to WC1503**

| Ref | Part No. | Part Description | Comments | Revision |
|-----|-----------------|-------------------------------------|----------|----------|
| | dwg35226 | Drawing Image Number | | |
| | 826-767C | DRIVELINE 540,1700NM SHEARBOLT * | | |
| 1. | 141.024.430 | CO COMPLETE COLLAR YOKE C12 | | |
| 2. | 180.014.130 | CO CROSS JOURNAL SET | | |
| 3. | 151.014.006 | CO OUTER YOKE W/LABEL | | |
| 4. | 190.000.014 | CO ROLL PIN FOR OUTER TUBE | | |
| 5. | 152.140.2920710 | CO OUTER TUBE | | |
| 6. | 153.140.200 | CO INNER TUBE | | |
| 7. | 190.000.012 | CO ROLL PIN FOR INNER TUBE | | |
| 8. | 151.014.007 | CO INNER YOKE | | |
| 9. | 143.240.001 | CO YOKE W/SHEAR BLT B02(55XM8) | | |
| 10. | 180.014.233 | CO GRD COLLER OUTER TUBE | | |
| 11. | 180.014.240 | COMER BOLT | | |
| 12. | 180.014.232 | CO GRD COLLER INNER | | |
| 13. | 180.016.636 | CO SAFETY CHAINS | | |
| 14. | 142.240.3777421 | CO COMPLETE GUARD | | |
| 15. | 190.000.451 | COMER OUTER CIRCLIP | | |
| 16. | 151.016.486 | COMER SLIDING SLEEVE COLLER | | |
| 17. | 180.016.487 | COMER SPRING | | |
| 18. | 180.016.483 | COMER FIXED SLEEVE | | |
| 19. | 190.000.078 | COMER BALL 1/2" | | |
| 20. | 151.014.012 | CO YOKE FOR HUB B02 (55XM8) | | |
| 21. | 190.000.022 | CO BALL DIA 1/4" | | |
| 22. | 166.026.004 | COMER PUSH PIN SET 1 3/8 | | |
| 23. | 141.024.013 | CO HUB B02 (55XM8) | | |
| 24. | 165.000.505 | CO BOLT & NUT M8X50 CL.8.8 | | |
| 25. | 190.000.020 | COMER GREASE FITTING | | |
| 26. | 121.024.756.10 | CO U-JOINT W/YOKES FOR OUTR TB | | |
| 27. | 121.024.510.10 | CO U-JOINT W/YOKES FOR INNR TB | | |
| 28. | 142.246.0967421 | CO HALF FEMALE GUARD | | |
| 29. | 142.241.2517421 | CO HALF MALE SHIELD | | |
| 30. | 123.340.364.11 | CO HALF FEMALE SHAFT W/GUARD | | |
| 31. | 123.440.055.11 | CO HALF MALE SFT W/GUARDING | | |
| 32. | 190.000.098 | COMER DANGER LABEL OUTER TUBE | | |
| 33. | 190.000.099 | COMER DANGER LABEL GUARD OUTER | | |
| 34. | 165.000.628 | COMER COLLOR KIT 1-3/8 YOKE | | |

Decal Placement

Applies to WC1503



35182

Decal Placement**Applies to WC1503**

| Ref | Part No. | Part Description | Comments | Revision |
|------------|-----------------|--------------------------------|---------------------|-----------------|
| | Dwg 35182 | Drawing Image Number | | |
| 1. | 818-130C | DECAL CAUTION 540 RPM | | |
| 2. | 818-132C | DECAL DANGER THROWN OBJECT HAZ | | |
| 3. | 818-190C | DECAL FLAG | | |
| 4. | 818-205C | DECAL WARNING MOVING PARTS HAZ | | |
| 5. | 818-522C | DECAL MOVING PARTS DANGER | | |
| 6. | 818-543C | DECAL DANGER PD GUARD MISS SML | | |
| 7. | 818-858C | DECAL CAUTION GENERAL SAFTEY | | |
| 8. | 818-890C | RPBY 838-963C | Beige Unit | |
| 8. | 838-963C | DECAL LP 10" W/TREE BROWN/GOLD | Green & Orange Unit | |
| 9. | 818-891C | RPBY 838-962C | Beige Unit | |
| 9. | 838-962C | DECAL LP 13" W/TREE BROWN/GOLD | Green & Orange Unit | |
| 10. | 838-093C | DECAL SHARP OBJ HAZARD DISCS | | |
| 11. | 838-111C | DECAL DANGER MOVING PARTS | | |
| 12. | 838-517C | DECAL QUICK HITCH SYSTEM | | |
| 13. | 848-088C | DECAL DANGER GUARD MISSING | | |
| 14. | 858-190C | DECAL, WARNING FLYING OBJECTS | S/N 846945+ | |
| 14. | 858-107C | RPBY 858-190C | S/N 846944- | |
| 15. | 848-840C | DECAL DANGER ROTATING IMPELLER | | |
| 16. | 848-916C | DECAL WC1503 GOLD | | |
| 16. | 848-917C | RPBY 848-916C | Obsolete | |
| 17. | 848-969C | DECAL DRIVELINE 826-767C | | |
| 18. | 858-095C | DECAL REFLECTOR RED 2X4.5 | S/N 819231+ | |

Land Pride Touch-up Paints

Applies to WC1503

No diagram associated with this Parts List

Land Pride Touch-up Paints**Applies to WC1503**

| Ref | Part No. | Part Description | Comments | Revision |
|------------|-----------------|-------------------------------|----------------------------|-----------------|
| 1. | 821-011C | LP BEIGE SPRAY CAN | Spray can | |
| 1. | 821-011CTU | LP BEIGE TOUCH-UP 5OZ | Touch-up bottle with brush | |
| 1. | 821-011CQT | LP BEIGE QUART | Quart can | |
| 1. | 821-011CGL | LP BEIGE GALLON | Gallon can | |
| 2. | 821-070C | GLOSS BLACK SPRAY CAN | Spray can | |
| 2. | 821-070CTU | GLOSS BLACK TOUCH-UP 5OZ | Touch-up bottle with brush | |
| 2. | 821-070CQT | GLOSS BLACK QUART | Quart can | |
| 2. | 821-070CGL | GLOSS BLACK GALLON | Gallon can | |
| 3. | 821-054C | MED. RED SPRAY TRCK/CTR | Spray can | |
| 3. | 821-054CTU | MED RED TOUCH-UP 5OZ | Touch-up bottle with brush | |
| 3. | 821-054CQT | MED RED QUART | Quart can | |
| 3. | 821-054CGL | MED RED GALLON | Gallon can | |
| 4. | 821-058C | GREEN SPRAY CUTTERS | Spray can | |
| 4. | 821-058CTU | GREEN TOUCH-UP 5OZ | Touch-up bottle with brush | |
| 4. | 821-058CQT | GREEN QUART | Quart can | |
| 4. | 821-058CGL | GREEN GALLON | Gallon can | |
| 5. | 821-066C | ORANGE SPRAY CAN | Spray can | |
| 5. | 821-066CTU | ORANGE TOUCH-UP 5OZ | Touch-up bottle with brush | |
| 5. | 821-066CQT | ORANGE QUART | Quart can | |
| 5. | 821-066CGL | ORANGE GALLON | Gallon can | |
| 6. | 821-067C | BLUE SPRAY CAN | Spray can | |
| 6. | 821-067CTU | BLUE TOUCH-UP 5OZ | Touch-up bottle with brush | |
| 6. | 821-067CQT | BLUE QUART | Quart can | |
| 6. | 821-067CGL | BLUE GALLON | Gallon can | |
| 7. | 821-080C | PAINT ALUMINUM/ZINC SPRAY CAN | Spray can | |
| 7. | 821-080CTU | PAINT ALUMINUM/ZINC TOUCH UP | Touch-up bottle with brush | |
| 7. | 821-080CQT | PAINT ALUMINUM/ZINC QUART | Quart can | |
| 7. | 821-080CGL | PAINT ALUMINUM/ZINC GALLON | Gallon can | |



Part Number Index

The Part Number Index is a numeric index of all part numbers included in this manual. The index shows what page(s) the part is used on.

| Part Number | Page | Part Number | Page | Part Number | Page |
|-----------------|--------|-------------|-----------|-------------|-----------|
| 121.024.510.10 | 19 | 328-180D | 7 | 818-543C | 21 |
| 121.024.756.10 | 19 | 328-191D | 9, 11 | 818-858C | 21 |
| 123.340.364.11 | 19 | 328-283D | 9 | 818-890C | 21 |
| 123.440.055.11 | 19 | 328-284D | 9 | 818-891C | 21 |
| 141.024.013 | 19 | 328-285D | 9 | 820-472C | 17 |
| 141.024.430 | 19 | 328-286D | 9 | 820-476C | 17 |
| 142.240.3777421 | 19 | 328-287D | 9 | 821-011C | 23 |
| 142.241.2517421 | 19 | 328-288D | 9 | 821-011CGL | 23 |
| 142.246.0967421 | 19 | 328-336D | 11 | 821-011CQT | 23 |
| 143.240.001 | 19 | 800-001C | 15, 17 | 821-011CTU | 23 |
| 151.014.006 | 19 | 800-080C | 15 | 821-054C | 23 |
| 151.014.007 | 19 | 800-130C | 15 | 821-054CGL | 23 |
| 151.014.012 | 19 | 800-211C | 15 | 821-054CQT | 23 |
| 151.016.486 | 19 | 800-372C | 15 | 821-054CTU | 23 |
| 152.140.2920710 | 19 | 801-027C | 15, 17 | 821-058C | 23 |
| 153.140.200 | 19 | 802-002C | 9, 11 | 821-058CGL | 23 |
| 165.000.505 | 15, 19 | 802-004C | 7, 9, 13 | 821-058CQT | 23 |
| 165.000.628 | 19 | 802-005C | 7 | 821-058CTU | 23 |
| 166.026.004 | 19 | 802-017C | 7, 15 | 821-066C | 23 |
| 168-276D | 17 | 802-051C | 15, 17 | 821-066CGL | 23 |
| 180.014.130 | 19 | 802-079C | 15 | 821-066CQT | 23 |
| 180.014.232 | 19 | 802-092C | 11 | 821-066CTU | 23 |
| 180.014.233 | 19 | 802-149C | 7 | 821-067C | 23 |
| 180.014.240 | 19 | 802-159C | 17 | 821-067CGL | 23 |
| 180.016.483 | 19 | 802-185C | 7 | 821-067CQT | 23 |
| 180.016.487 | 19 | 802-204C | 9, 11 | 821-067CTU | 23 |
| 180.016.636 | 19 | 802-258C | 9, 11, 15 | 821-070C | 23 |
| 190.000.012 | 19 | 802-301C | 15 | 821-070CGL | 23 |
| 190.000.014 | 19 | 802-387C | 9, 11 | 821-070CQT | 23 |
| 190.000.020 | 19 | 802-431C | 9 | 821-070CTU | 23 |
| 190.000.022 | 19 | 802-674C | 15 | 821-080C | 23 |
| 190.000.078 | 19 | 802-750C | 7 | 821-080CGL | 23 |
| 190.000.098 | 19 | 802-961C | 17 | 821-080CQT | 23 |
| 190.000.099 | 19 | 803-007C | 7, 15 | 821-080CTU | 23 |
| 190.000.451 | 19 | 803-013C | 7 | 822-257C | 15 |
| 308-400D | 9, 11 | 803-027C | 9, 11 | 822-274C | 17 |
| 314-099D | 15 | 803-037C | 11 | 822-275C | 15 |
| 326-283S | 11, 13 | 803-068C | 15 | 826-767C | 15, 19 |
| 328-055H | 17 | 803-149C | 9, 11 | 838-093C | 21 |
| 328-056S | 17 | 803-169C | 9 | 838-111C | 21 |
| 328-057H | 9, 11 | 803-177C | 11 | 838-517C | 21 |
| 328-057H81 | 9, 11 | 803-196C | 15, 17 | 838-962C | 21 |
| 328-057H82 | 9, 11 | 803-255C | 9, 11, 13 | 838-963C | 21 |
| 328-058H | 15 | 803-380C | 7 | 848-088C | 21 |
| 328-059S | 15 | 804-007C | 9, 13 | 848-840C | 21 |
| 328-060H | 9, 11 | 804-010C | 11 | 848-916C | 21 |
| 328-060H81 | 9, 11 | 804-011C | 15, 17 | 848-917C | 21 |
| 328-060H82 | 9, 11 | 804-015C | 15 | 848-969C | 21 |
| 328-061H | 7 | 804-016C | 15 | 858-095C | 21 |
| 328-061H81 | 7 | 804-023C | 9, 11 | 858-107C | 21 |
| 328-061H82 | 7 | 804-026C | 11 | 858-190C | 21 |
| 328-062H | 7 | 804-037C | 9, 11 | 890-401C | 11 |
| 328-064H | 7 | 805-111C | 9, 11 | 990-109R | 15 |
| 328-065H | 9 | 807-272C | 15 | Dwg 35179 | 7 |
| 328-065H81 | 9 | 808-444C | 17 | Dwg 35182 | 21 |
| 328-065H82 | 9 | 808-445C | 15 | Dwg 35467 | 11 |
| 328-078H | 9, 11 | 808-446C | 17 | Dwg 39163 | 13 |
| 328-102A | 9 | 808-447C | 15 | dwg35116 | 9 |
| 328-103H | 11 | 815-391C | 15 | dwg35180 | 15 |
| 328-103H81 | 11 | 816-504C | 9, 13 | dwg35181 | 17 |
| 328-103H82 | 11 | 816-699C | 9, 11 | dwg35226 | 19 |
| 328-106A | 17 | 816-737C | 15 | N/A | 9, 11, 15 |
| 328-144D | 17 | 817-259C | 7 | | |
| 328-145D | 15 | 817-950C | 15 | | |
| 328-166D | 7 | 817-986C | 7 | | |
| 328-169D | 15 | 818-130C | 21 | | |
| 328-174D | 7 | 818-132C | 21 | | |
| 328-177D | 7 | 818-190C | 21 | | |
| 328-178D | 7 | 818-205C | 21 | | |
| 328-179D | 7 | 818-522C | 21 | | |

This Page Intentionally Left Blank



Great Plains Manufacturing, Inc.

Corporate Office: P.O. Box 5060
Salina, Kansas 67402-5060 USA

www.landpride.com
