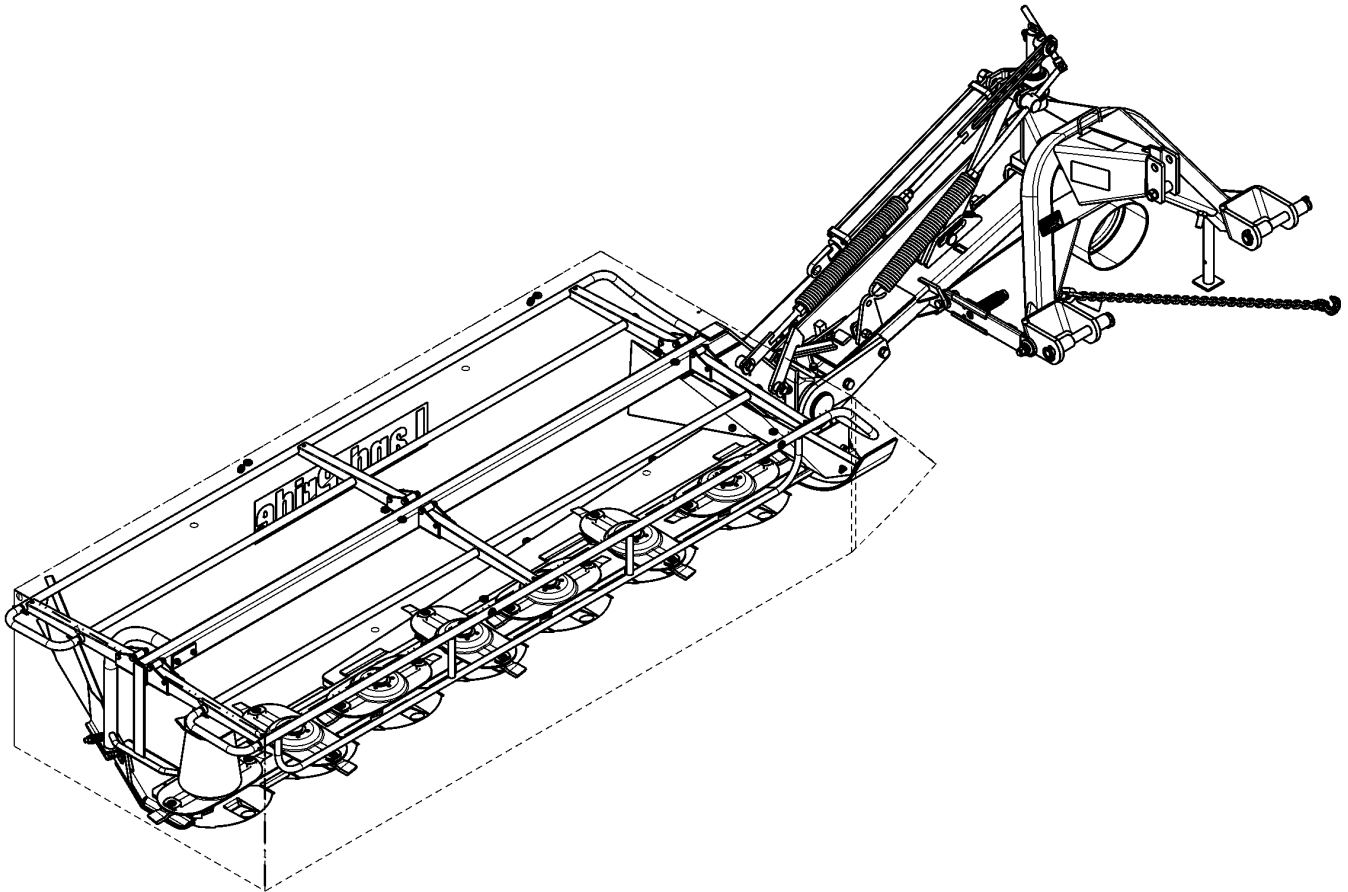


Disc Mower

DM3705, DM3706 & DM3707



21019

327-083P
Parts Manual



Read the Operator's Manual entirely. When you see this symbol, the subsequent instructions and warnings are serious - follow without exception. Your life and the lives of others depend on it!

© Copyright 2015 Printed 07/21/15

Cover photo may show optional equipment not supplied with standard unit.





Table of Contents

Section 1: Introduction.....	4
Using This Manual.....	4
Manual Replacement Information.....	4
Manual Revisions.....	4
Touch-up Paint.....	4
Hardware Legend.....	5
Replacement Hardware.....	5
Serial Numbers.....	5
Part Number Service Coding.....	5
DM37 SERIES	
Section 2: Frame-Hitch.....	6
Cylinder and Spring.....	6
Frame and Hitch.....	8
Hydraulic Cylinder 810-505C.....	10
Section 3: Drive.....	12
Belt Drive.....	12
Section 4: Cutting Unit.....	14
Curtain Hanger and Support.....	14
Cutter Unit.....	16
Gearbox 826-329C.....	20
Section 5: Driveline.....	22
Driveline (826-172C).....	22
Driveline (826-355C).....	24
Section 6: Labels.....	26
Label Placement.....	26
Part Number Index.....	28

© Copyright 2015. All rights reserved.

Land Pride provides this publication “as is” without warranty of any kind, either expressed or implied. While every precaution has been taken in the preparation of this manual, Land Pride assumes no responsibility for errors or omissions. Neither is any liability assumed for damages resulting from the use of the information contained herein. Land Pride reserves the right to revise and improve its products as it sees fit. This publication describes the state of this product at the time of its publication, and may not reflect the product in the future. The illustrations in this manual are not intended for safe and proper assembly or disassembly of equipment. The illustrations are intended for ordering parts only.

Land Pride is registered trademark.

All other brands and product names are trademarks or registered trademarks of their respective holders.

Printed in the United States of America.



Alphabetized Table of Contents

DM37 SERIES

B	
Belt Drive.....	12
C	
Curtain Hanger and Support.....	14
Cutter Unit.....	16
Cylinder and Spring.....	6
D	
Driveline (826-172C).....	22
Driveline (826-355C).....	24
F	
Frame and Hitch.....	8
G	
Gearbox 826-329C.....	20
H	
Hydraulic Cylinder 810-505C.....	10
L	
Label Placement.....	26

General Information

Using This Manual

This manual is divided into sections. The first section contains General Information. The remaining sections divide the machine into segments (i.e. Frames, Drives, Hydraulics, etc.) which illustrate and list all parts. A Parts Number Index is located at the back of the book.

The Land Pride parts in this manual are specially designed for this machine and should be replaced with Land Pride parts only.

The information in this manual is current at time of printing. Some parts may change to assure top performance.

Right-hand and left-hand as used in this manual are determined by facing the direction the machine will travel while in use.

Below is an example of two facing pages from a parts manual. Familiarize yourself with the type of information contained on these pages.

Manual Replacement Information

Replacement manuals are available. Refer to our website at www.landpride.com or e-mail us at lit@landpride.com for additional information. Our website continues to provide the most up-to-date manuals available.

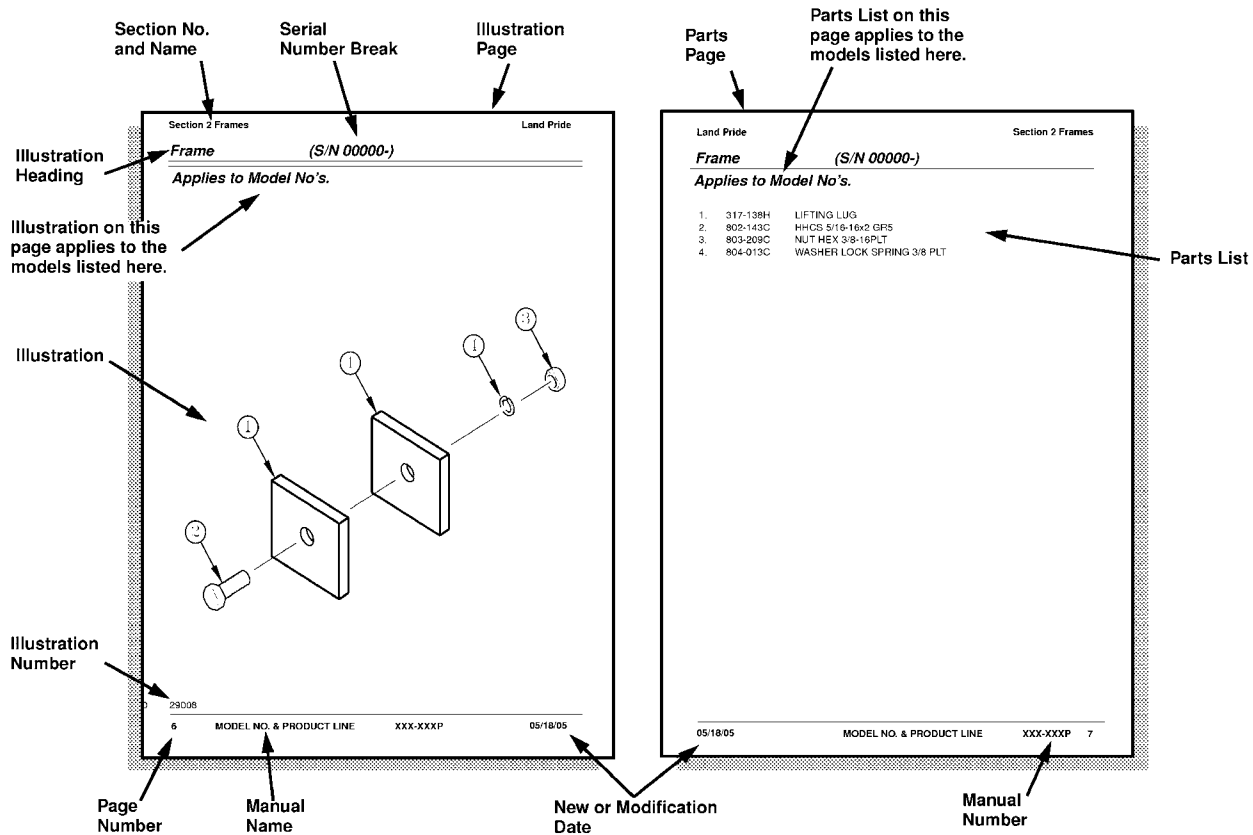
Touch-up Paint

Repaint parts where paint is worn or scratched to prevent rust. Aerosol cans and touch-up bottles with brush applicator are available through your local dealer. Land Pride color descriptions and part numbers are listed below. Also available are quart and gallon size paints. Add QT or GL to end of the Aerosol P/N.

Color	Product*	Aerosol	Touch-Up
Gloss Black	LP	821-032C	821-032CTU
Beige	LP	821-011C	821-011CTU
Green	SLP	821-058C	821-058CTU
Orange	SLP	821-066C	821-066CTU
Red	SLP	821-054C	821-054CTU
Blue	SLP	821-067C	821-067CTU

Notes:

- * LP = All Land Pride Products
- SLP = Select Land Pride Products that are available in optional Green, Orange and Red.



General Information

Hardware Legend

AR	As Required
BLADE	Blade Bolt
C	Cap Screw
CP	Cotter Pin
CPHSSS	Cup Point Hex Socket Set Screw
CPSHSS	Cup Point Square Head Set Screw
CPSQHSS	Cup Point Square Head Set Screw
CRFCHMS3	Cross Recess Flat Countersunk Head Machine Screw
CRPHMS	Cross Recess Pan Head Machine Screw
CRPHTF	Cross Recess Pan Head Thread Forming
CRRHMS	Cross Recess Round Head Machine Screw
CRTHMS	Cross Recess Truss Head Machine Screw
CSNB	Countersunk Square Neck Bolt
FHMS	Flat Head Machine Screw
FTC	Full Thread Cap Screw
H	Hex Nut
HCLN	Hex Center Lock Nut
HFLCS	Hex Flange Lock Cap Screw
HFS	Hex Flange Screw
HFSLN	Hex Flange Serrated Lock Nut
HFSS	Hex Flange Serrated Screw
HHCS	Hex Head Cap Screw or Metric Bolt
HSBHCS	Hex Socket Button Head Cap Screw
HSFCHCS	Hex Socket Flat Countersunk Head Cap Screw
HSHCS	Hex Socket Head Cap Screw
HSSS	Hex Socket Head Screw
HTLN	Hex Top Lock Nut
HWHCS	Hex Washer Head Cap Screw

HWHMS	Hex Washer Head Machine Screw
HXBHCS	Hex Socket Button Head Cap Screw
J	Hex Jam Nut
JIC	37 Degree Tapered Thread
L	Helical Spring Lock Washer
LUG	Lug Bolt
NFC	National Fine Cap Screw
NPSM	National Pipe Straight Mechanical
NPTF	National Pipe Taper Fuel
P	Wide Plain Washer
PHMS	Pan Head Machine Screw
PLOW	Plow Bolt
RHMS	Round Head Machine Screw
RHSNB	Round Head Square Neck Bolt
SCREW LEVELING	Leveling Screw
SCREW THUMB	Thumb Screw
SCREW WELD	Weld Screw
SFCHMS	Slotted Flat Countersunk Head Machine Screw
SFHMS	Slotted Fillister Head Machine Screw
SP	Special
SP SCREW	Special Screw
SQHSS	Square Head Set Screw
SRHMS	Slotted Round Head Machine Screw
SSS	Socket Set Screw
STCS	Self Tapping Cap Screw
STHMS	Slotted Truss Head Machine Screw
WHEEL	Wheel Studs and Hub Long Bolts
WING	Wing Bolt

Replacement Hardware

The **Hardware Legend** above lists hardware abbreviations used in the parts list. All bolts and nuts are Grade 5 unless otherwise noted. The use of improper grades of hardware can result in personal injury, damage to equipment, or loss of property.

Colored Replacement Parts

Land Pride offers replacement parts in factory standard colors and also on select models in Green, Orange, Red and Blue. Because of the variety of colors available, special attention must be given to the part number to prevent ordering the wrong replacement part.

A suffix number corresponding to one of the colors below must be added at the end of Land Pride's part number when ordering a replacement part with that color.

81 Green 83 Red
82 Orange 84 Blue

For example, if you are ordering a replacement part with part number 555-555C and the part you need is red, then add the suffix 83 to the end of the number to make the part number read 555-555C83. Parts ordered without a suffix number will be supplied in factory standard colors.

Black Replacement Parts

Some parts are factory standard black and some must be special ordered black. If your part is special ordered black, a second part number with the additional suffix number 85 on the end will be available. In this situation you must order that part with the suffix number for it to be black. Parts that are factory standard black will not have the suffix number.

Part Number Service Coding

Within the parts list some part numbers are coded for revisions and interchangeability. See notations in revision column.

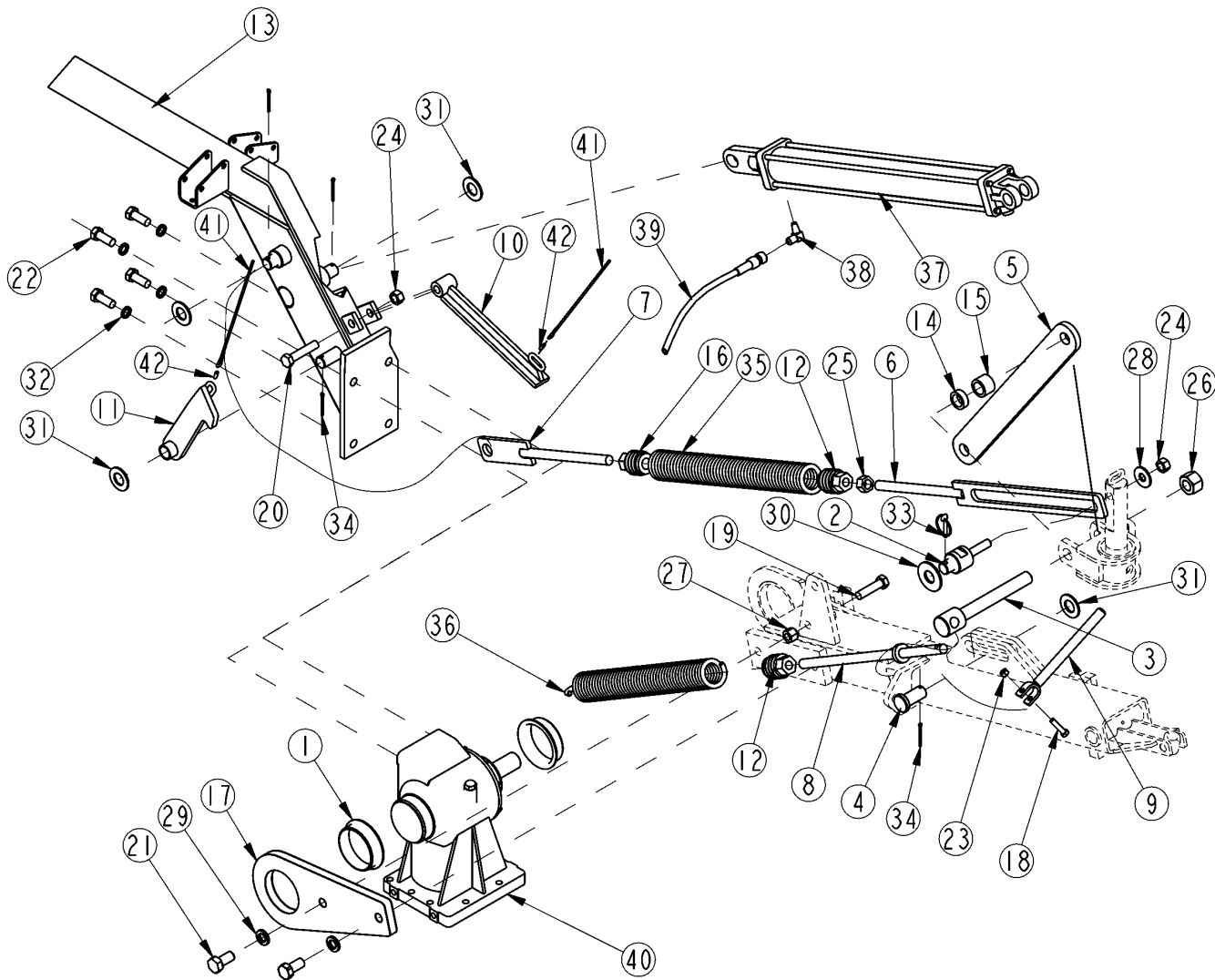
Serial Numbers

Always use the serial and model number when ordering parts. Refer to the Operator's Manual for serial number plate location.

- (S/N 20001+) Includes serial numbers 20001 and above (to the latest number)
- (S/N 10001 to 20000) Includes serial numbers between and including 10001 and 20000
- (S/N 10000-) Includes serial numbers 10000 and below (to the earliest number)

Cylinder and Spring

Applies to DM3705, DM3706, DM3707



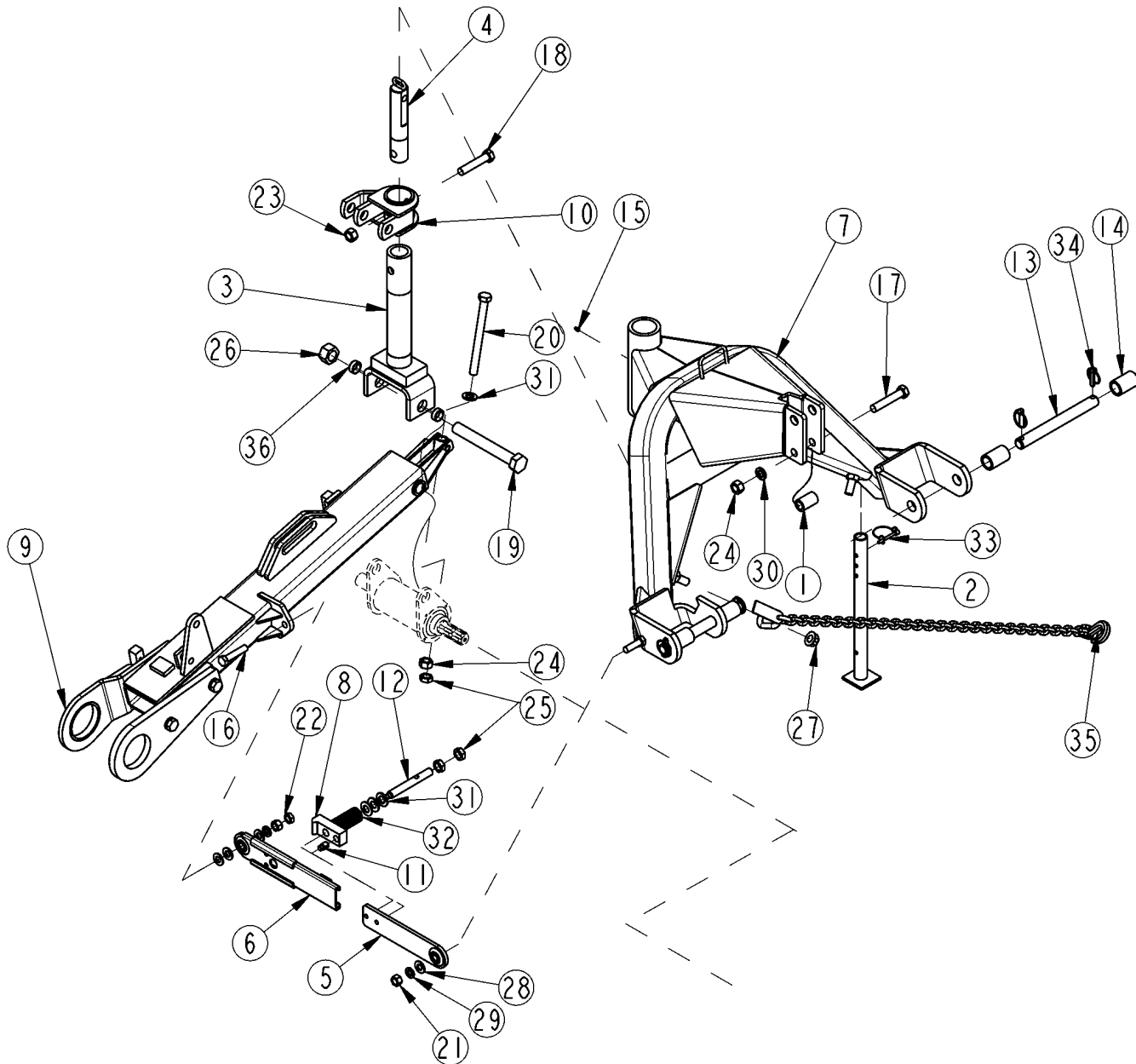
Cylinder and Spring

Applies to DM3705, DM3706, DM3707

Ref	Part No.	Part Description	Comments	Revision
	dwg21329	Drawing Image Number		
1.	0.142.7103.00	CO BUSHING		
2.	327-010D	UPPER SPRING MOUNT DM36		
3.	327-011D	CYL/SPRING PIN DM36		
4.	327-034D	STOP PIN DM36		
5.	327-038D	REACH STOP DM36		
6.	327-054H	SPRING SLIDE WELDMENT DM36		
7.	327-055H	SPRING ROD WELDMENT DM36		
8.	327-056H	SPRING ADJ ROD WELDMENT DM36		
9.	327-057H	PIVOT HANDLE WELDMENT DM36		
10.	327-063H	FIELD STOP WELDMENT		
11.	327-066H	ROAD LATCH DM37		
12.	327-067D	SPRING SCREW END 1.659ID		
13.	327-073H	CANVAS SUPPORT WLDMNT DM3707		
13.	327-074H	CANVAS SUPPORT WLDMNT DM3706		
13.	327-075H	CANVAS SUPPORT WLDMNT DM3705		
14.	327-119D	SPACER SHORT		
15.	327-120D	SPACER LONG		
16.	327-167D	SPRING SCREW END 1.659ID LH		
17.	327-181D	GEARBOX LUG FRONT	SN + 413654	Rev. 2
17.	327-022H	OBSOLETE REPBY 327-181D	SN - 413653	Rev. 1
18.	802-022C	HHCS 3/8-16X1 1/2 GR5		
19.	802-058C	HHCS 5/8-11X2 1/2 GR5		
20.	802-059C	HHCS 5/8-11X3 GR5		
21.	802-184C	HHCS 3/4-10X1 1/2 GR5		
22.	802-703C	HHCS M16X2.0X40 GR8.8		
23.	803-013C	NUT LOCK 3/8-16 PLT		
24.	803-024C	NUT LOCK 5/8-11 PLT		
25.	803-027C	NUT HEX 3/4-10 PLT		
26.	803-038C	NUT HEX 1-8 NYLON INSERT PLT		
27.	803-148C	NUT HEX NYLOCK 5/8-11 PLT		
28.	804-019C	WASHER FLAT 5/8 USS PLT		
29.	804-023C	WASHER LOCK SPRING 3/4 PLT		
30.	804-028C	WASHER FLAT 1 USS PLT		
31.	804-029C	WASHER FLAT 1 SAE		
32.	804-187C	WASHER SPRING LOCK M16 PLT		
33.	805-126C	PIN LYNCH 1/4 X 1 3/4 PLT		
34.	805-246C	PIN COTTER 5/32 X 1 3/4 LG		
35.	807-203C	SPRING EXT 2.41D.375W 19.19"LG		
36.	807-207C	SPRING EXT 2.41D.375W 19.41"LG		
37.	810-505C	CYL 2 1/2 X 24 X 1 1/4 SINGAC		
38.	811-337C	OREL 1/16 9/16MJIC 9/16MORB		
39.	811-558C	HH3/8R2 085 3/4MORB 9/16FJIC		
40.	826-329C	GBOX DISC MOWER 45HP 1:2.06		
41.	890-337C	CORD-PARACHUTE 3/16	Sold by Foot 18' Required to Replace Both Cords	
42.	890-589C	5/32 I.D. OVAL SLEEVE		

Frame and Hitch

Applies to DM3705, DM3706, DM3707

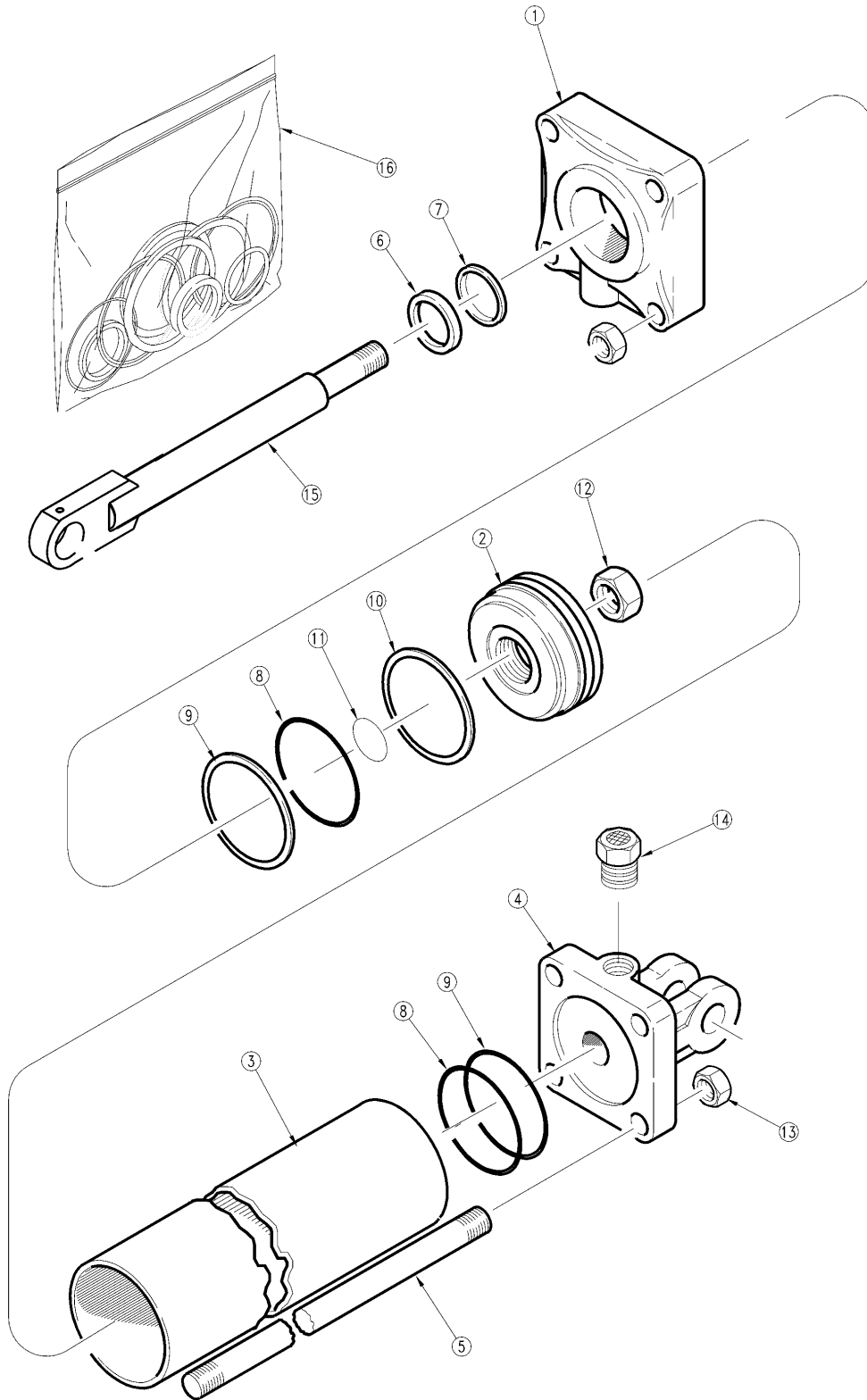


Frame and Hitch**Applies to DM3705, DM3706, DM3707**

Ref	Part No.	Part Description	Comments	Revision
	dwg21327	Drawing Image Number		
1.	308-400D	SPACER 1 1/4OD X 25/32ID X 2LG		
2.	311-014H	STAND LEG RTA10/15/20 RTR20		
3.	327-002H	PIVOT WELDMENT DM37		
4.	327-007H	UPPER SPRING MOUNT WLDMNT DM36		
5.	327-015H	BREAKAWAY INNER WELDMENT DM36		
6.	327-016H	BREAKAWAY OUTER WELDMENT DM36		
7.	327-024H	HITCH WELDMENT DM36		
8.	327-050D	BREAK TENSION BAR DM36		
9.	327-068H	REACH ARM WELDMNT DM37		
10.	327-069H	PIVOT HEAD WELDMNT DM37		
11.	327-101D	LATCH PIVOT DM36		
12.	327-102D	LATCH SPRING BOLT DM36		
13.	327-105D	LOWER HITCH PIN DM36		
14.	327-106D	INNER HITCH SPACER DM36		
15.	800-080C	GREASE ZERK 1/4-28 THD FORMING		
16.	802-059C	HHCS 5/8-11X3 GR5		
17.	802-068C	HHCS 3/4-10X4 GR5		
18.	802-204C	HHCS 3/4-10X3 3/4 GR5		
19.	802-701C	HHCS 1 1/8-7X8 1/2 GR5		
20.	802-706C	HHCS 3/4-10X8 1/2 GR5 FTHD		
21.	803-021C	NUT HEX 5/8-11 PLT		
22.	803-023C	NUT HEX JAM 5/8-11 PLT		
23.	803-026C	NUT LOCK 3/4-10 PLT		
24.	803-027C	NUT HEX 3/4-10 PLT		
25.	803-048C	NUT HEX JAM 3/4-10 PLT		
26.	803-099C	NUT HEX 1 1/8-7 PLT		
27.	803-181C	NUT HEX FLANGE LOCK 3/4-10 PLT		
28.	804-021C	WASHER FLAT 5/8 SAE PLT		
29.	804-022C	WASHER LOCK SPRING 5/8 PLT		
30.	804-023C	WASHER LOCK SPRING 3/4 PLT		
31.	804-025C	WASHER FLAT 3/4 SAE PLT		
32.	804-186C	WASHER BELLEVILLE .761 ID DM36	Qty 32	
33.	805-065C	PIN WIRE RETAINING 1/4 X 1 3/4		
34.	805-103C	PIN LYNCH 7/16 X 1 3/4		
35.	890-182C	SAFETY CHAIN 10000 LB		
36.	890-813C	BUSHING PIVT 1 1/4X1 1/8X 1/2		

Hydraulic Cylinder 810-505C

Applies to DM3705, DM3706, DM3707



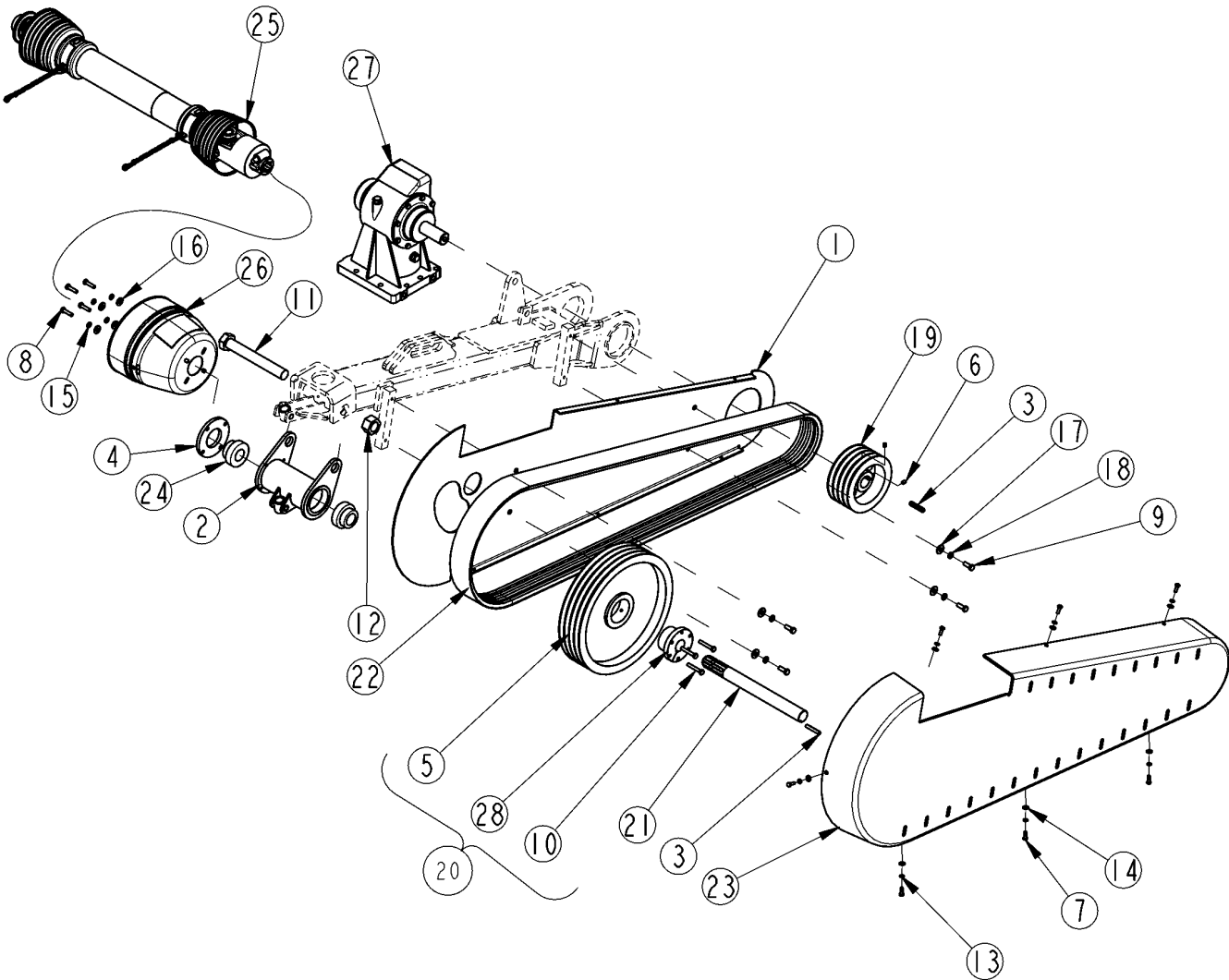
21429

Hydraulic Cylinder 810-505C**Applies to DM3705, DM3706, DM3707**

Ref	Part No.	Part Description	Comments	Revision
	dwg21429	Drawing Image Number		
1.	3R0410	MW HEAD		
2.	4M3108	MW PISTON		
3.	5M3132	MW TUBE		
4.	6R0152	BASE MIDWAY		
5.	7M3332	MW TIE ROD		
6.	2A0038	MW WIPER		
7.	2A0422	U-CUP		
8.	2A0250	O-RING MIDWAY		
9.	2A0280	MW BACK UP		
10.	2A0452	CROWN SEAL MIDWAY		
11.	2A0048	MW O-RING		
12.	2A0022	MW NUT, PISTON		
13.	2A0012	MW NUT CLEVIS & TIE ROD		
14.	2A0395	PLUG VENTED 9/16-18 MNPT		
15.	2M3525	MW ROD		
16.	810-177C	SEAL KIT MW (5A3104) 2.5X1.25R		

Belt Drive

Applies to DM3705, DM3706, DM3707

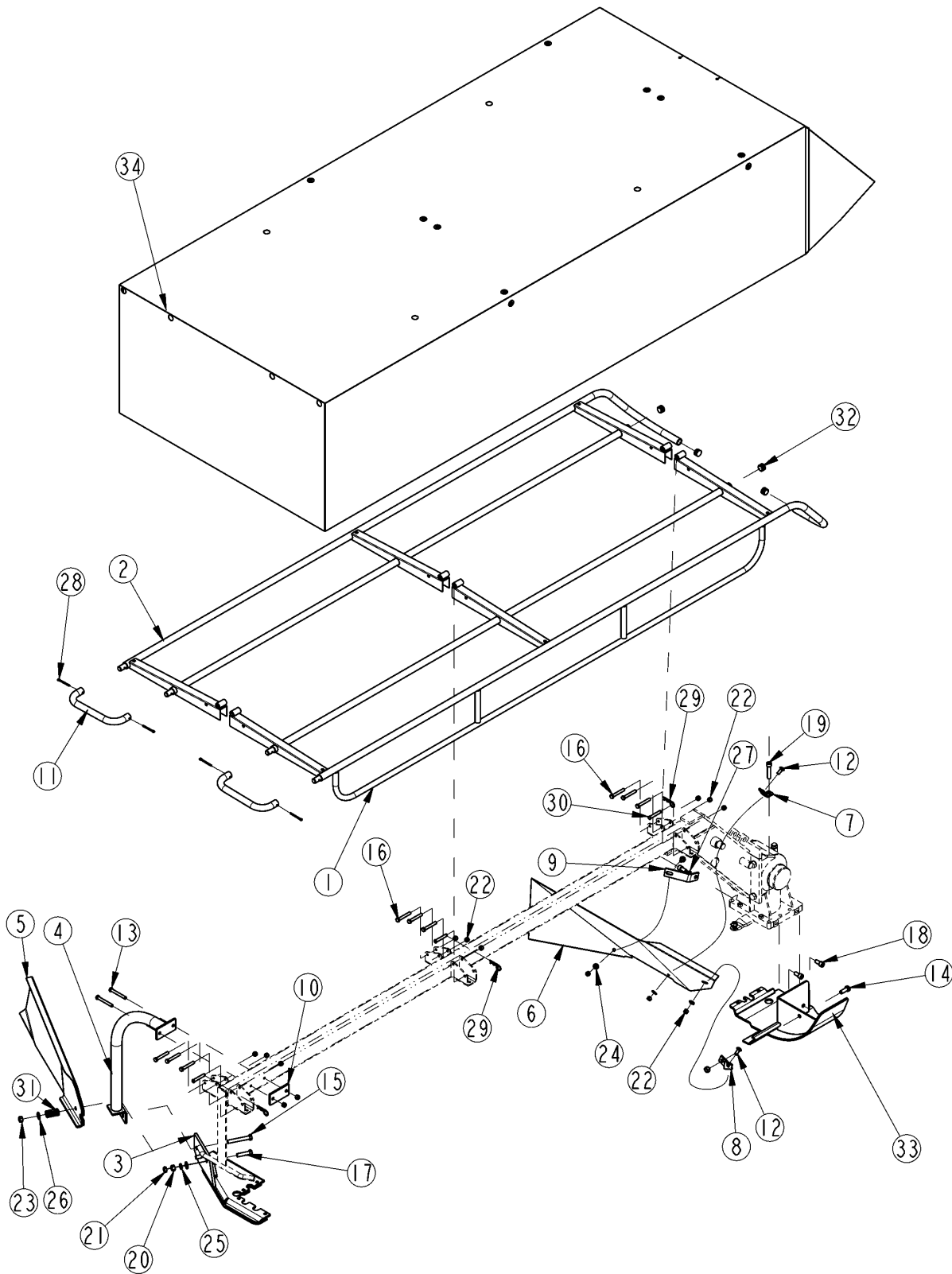


Belt Drive**Applies to DM3705, DM3706, DM3707**

Ref	Part No.	Part Description	Comments	Revision
	dwg21331	Drawing Image Number		
1.	327-008H	INNER GUARD WELDMENT DM36		
2.	327-009H	PTO HOUSING WELDMENT		
3.	327-095D	KEY 5/16 X 2" DM36		
4.	327-096D	COVER SPACER PTO DM36		
5.	4B136SK	PULLEY 14 3/8 4BSHIV	(S/N 434753+)	
6.	801-035C	SCREW SET 5/16-18 SKT KP X 3/8		
7.	802-004C	HHCS 1/4-20X3/4 GR5		
8.	802-010C	HHCS 5/16-18X1 1/4 GR5		
9.	802-017C	HHCS 3/8-16X1 GR5		
10.	802-473C	HHCS 5/16-18X2 FTHD	(S/N 434753+)	
11.	802-701C	HHCS 1 1/8-7X8 1/2 GR5		
12.	803-318C	NUT HEX TOP LOCK 1 1/8-7 PLT		
13.	804-006C	WASHER LOCK SPRING 1/4 PLT		
14.	804-007C	WASHER FLAT 1/4 SAE PLT		
15.	804-009C	WASHER LOCK SPRING 5/16 PLT		
16.	804-010C	WASHER FLAT 5/16 USS PLT		
17.	804-011C	WASHER FLAT 3/8 USS PLT		
18.	804-013C	WASHER LOCK SPRING 3/8 PLT		
19.	808-322C	PULLEY 6 3/4 4BSHIV 1 3/8B5/16		
20.	808-358C	14 3/8 4BSHIV2PC5/16KEYHUB	(S/N 434753+)	Rev. 2 not compat. w/Rev. 1
20.	808-321C	RPBY 808-358C	(S/N 434752-)	Rev. 1
21.	815-132C	DM PTO SHAFT DM36		
22.	816-376C	BELT 4/B120 DISC MOWER DM36		
23.	817-532C	GUARD OUTER DM37		
24.	822-100C	BRG 1 3/8 B X 72MM OD W/COLLAR		
25.	826-172C	DRIVELINE DISC MOWER	DM3706 & DM3707	
25.	826-355C	DRIVELINE DISCMOWER	DM3705	
26.	826-240C	SMALL SHAFT CONE W ACCESS DOOR		
27.	826-329C	GBOX DISC MOWER 45HP 1:2.06		
28.	SK-X-1-375	HUB 5/16 KEYED (FOR 808-358C)	(S/N 434753+)	

Curtain Hanger and Support

Applies to DM3705, DM3706, DM3707



21332

Curtain Hanger and Support

Applies to DM3705, DM3706, DM3707

Ref	Part No.	Part Description	Comments	Revision
	dwg21332	Drawing Image Number		
1.	327-004H	CANVAS FRAME WELDMENT F DM3607		
1.	327-035H	CANVAS FRAME WELDMENT F DM3606		
1.	327-040H	CANVAS FRAME WELDMENT F DM3605		
2.	327-011H	CANVAS FRAME WELDMENT R DM3607		
2.	327-036H	CANVAS FRAME WELDMENT R DM3606		
2.	327-041H	CANVAS FRAME WELDMENT R DM3605		
3.	327-021H	OUTER BRACKET WELDMENT DM36		
4.	327-028H	BLADE BAR SUPPORT DM36		
5.	327-029H	MATERIAL GUIDE WELDMENT DM36		
6.	327-082D	INSIDE MATERIAL DEFLECTOR		
7.	327-088D	BRACKET		
8.	327-089D	BRACKET		
9.	327-090D	BRACKET		
10.	327-092D	MOUNTING PLATE		
11.	327-118D	BUMPER		
12.	802-015C	RHSNB 3/8-16X1 GR5		
13.	802-024C	HHCS 3/8-16X3 GR5		
14.	802-034C	HHCS 1/2-13X1 1/4 GR5		
15.	802-041C	HHCS 1/2-13X3 1/2 GR5		
16.	802-114C	HHCS 3/8-16X2 1/2 GR5		
17.	802-128C	HHCS 1/2-13X2 GR5		
18.	802-702C	HSHCS M12X1.75X25 GR8.8		
19.	802-704C	HSHCS M12X1.75X60 GR8.8 PLT		
20.	803-020C	NUT HEX 1/2-13 PLT		
21.	803-036C	NUT HEX JAM 1/2-13 PLT		
22.	803-078C	NUT LOCK 3/8-16 NYLON INSERT		
23.	803-147C	NUT HEX NYLOCK 1/2-13		
24.	804-012C	WASHER FLAT 3/8 SAE PLT		
25.	804-015C	WASHER LOCK SPRING 1/2 PLT		
26.	804-016C	WASHER FLAT 1/2 SAE PLT		
27.	804-159C	WASHER SPRING LOCK M12 PLT		
28.	805-058C	PIN COTTER 3/16 X 2		
29.	805-143C	PIN HAIR COTTER .120 PLT		
30.	805-154C	PIN CLEVIS 3/8 X 2 1/8 USABLE		
31.	807-197C	SPRING COMP.622IDX1.85LGX.218W		
32.	817-468C	PLUG PLASTIC(3/4"SCHED.40 PIPE		
33.	890-755C	COMER DM INSIDE SKID SHOE		
34.	890-775C	DM3605 TARP		
34.	890-776C	DM3606 TARP		
34.	890-777C	DM3607 TARP		

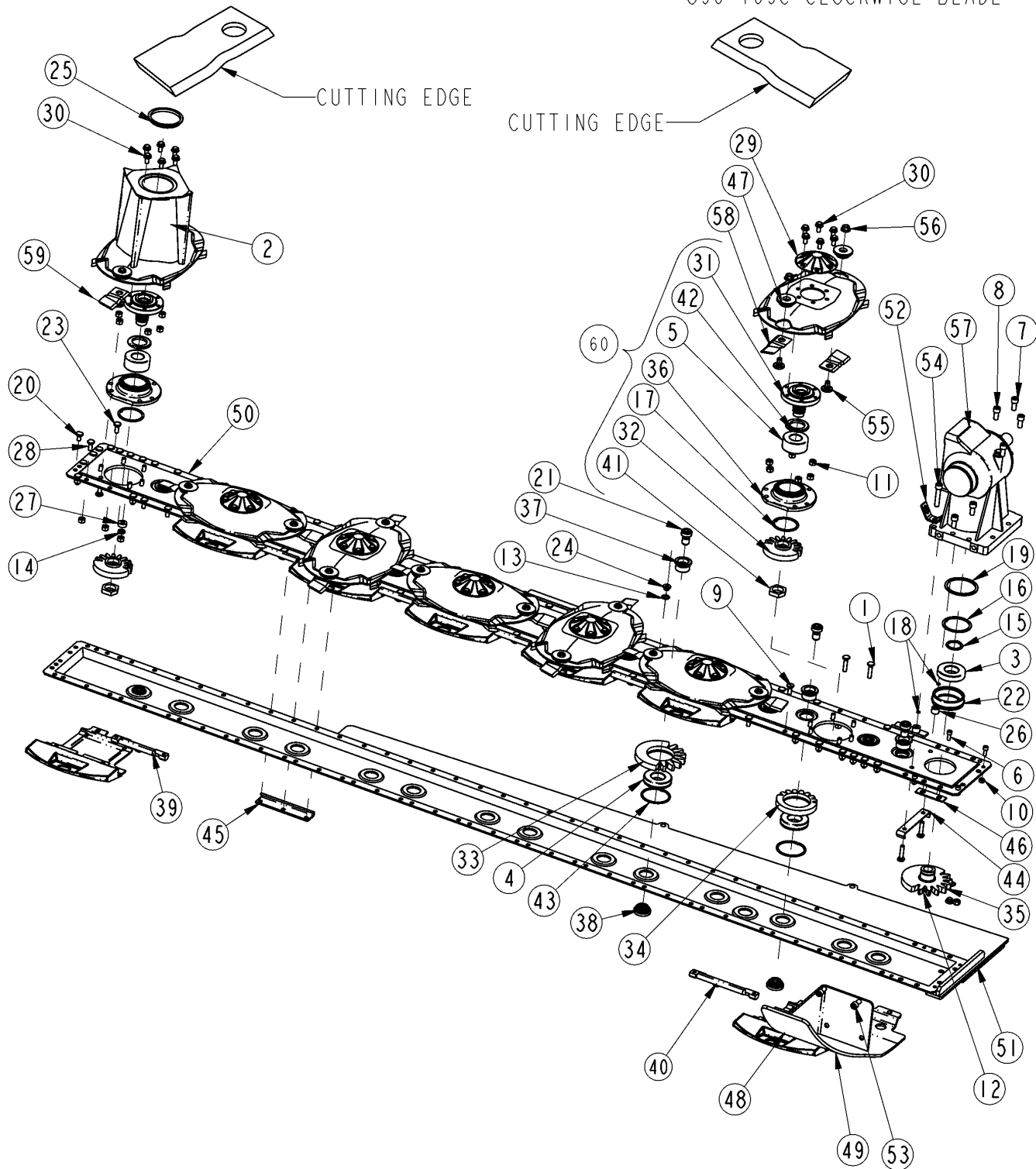
Cutter Unit

Applies to DM3705, DM3706, DM3707

890-770C COUNTER-
CLOCKWISE BLADE

NOTICE CUTTING EDGE ON OLD
BLADE WHEN REORDERING

890-769C CLOCKWISE BLADE



22211

Cutter Unit**Applies to DM3705, DM3706, DM3707**

Ref	Part No.	Part Description	Comments	Revision
	dwg22211	Drawing Image Number		
	890-647C	COMER DISC MOWER 6 DISC BAR		
	890-656C	COMER DISC MOWER 7 DISC BAR		
	890-772C	COMER DISC MOWER 5 DISC BAR		
1.	0.404.7156.00	CO SCREW M10X43DCRT320		
2.	2.420.7026.00	CO CONVEYOR 890-773C		
3.	8.0.1.01184	CO BEARING 6208/C3		
4.	8.0.1.01918	CO BEARING 6208 N/C3		
5.	8.0.4.01852	CO BEARING BAH-0013		
6.	8.1.2.01527	CO BOLT M8X25 8.8 DCRT320		
7.	8.1.2.02130	CO BOLT M12X60 12,9 DCRT 320		
8.	8.1.2.02500	CO BOLT M12X55 12,9 DCRT 320		
9.	8.1.8.02489	CO BOLT		
10.	8.2.1.00985	CO HEX. NUT M8 ZINC. PLATED 8		
11.	8.2.1.01528	CO EX NUT M10 10 DCRT 320		
12.	8.2.1.01533	CO EX NUT M12 10 DCRT 320		
13.	8.3.0.01353	CO BOLT WASHER 17X22X1.5		
14.	8.3.7.02264	CO SPRING WASHER 10.2X22.1.6		
15.	8.5.1.00680	CO SNAP RING 40 UNI 7436		
16.	8.5.2.00030	CO SNAP RING 80 UNI 7437		
17.	8.5.2.00131	CO SNAP RING INT 72 UN17437		
18.	8.7.6.00588	CO O-RING OR-2037		
19.	8.7.6.01188	CO O-RING OR-4375		
20.	0.404.7101.00	CO SCREW M10X30DCRT320		
21.	0.404.7107.00	CO BOLT M20X30DCRT320		
22.	0.404.7108.00	CO BUSH		
23.	0.404.7112.00	CO SCREW M10X19DCRT320	Qty 7 Disc 21, 6 Disc 19 & 5 Disc 17	
24.	0.404.7131.00	CO PLUG 3/8"GAS		
25.	0.404.7135.00	CO CAP		
26.	0.404.7137.00	CO SPACER		
27.	0.404.7154.00	CO SPACER		
28.	0.404.7155.00	CO SCREW M10X25DCRT320		
29.	0.420.7046.00	CO CAP		
30.	0.420.7101.00	CO BOLT M10X20		
31.	0.535.7000.00	CO SHAFT		
32.	0.536.6000.00	CO GEAR z34 M3		
33.	0.536.6001.00	CO GEAR z45 M3		
34.	0.536.6002.00	CO GEAR z36 M3		
35.	0.536.6003.00	CO GEAR z45 M3		
36.	0.536.7001.00	CO FLANGE		
37.	0.536.7002.00	CO PIN		
38.	0.536.7003.00	CO PIN		
39.	0.536.7004.00	CO COMPLETE SHIELD I=380		
40.	0.536.7005.00	CO COMPLETE SHIELD I=420		
41.	0.536.7100.00	CO HEX. NUT		
42.	0.536.7101.00	CO COMPLETE SHIELD		
43.	0.536.7103.00	CO SNAP RING		
44.	0.536.7104.00	CO BACK REINFORCEMENT		
45.	0.536.7105.00	CO COMPLETE SHIELD I=170		
46.	0.536.7107.00	CO FRONT REINFORCEMENT		
47.	2.420.7024.00	CO REINFORCED DISC		
48.	2.536.1700.00	CO SKID		
49.	2.536.1701.00	CO SKID 890-755C		
50.	2.537.0300.00	CO CUTTERBED/COVER	7 Disc	
50.	2.536.0300.00	CO CUTTERBED/COVER	6 Disc	
50.	2.535.0300.00	CO CUTTERBED/COVER	5 Disc	
51.	2.537.7100.00	CO BACK REINFORCEMENT	7 Disc	
51.	2.536.7106.00	CO BACK REINFORCEMENT	6 Disc	

Cutter Unit (continued)

Applies to DM3705, DM3706, DM3707

Ref	Part No.	Part Description	Comments	Revision
51.	2.535.7100.00	CO BACK REINFORCEMENT	5 Disc	
52.	327-088D	BRACKET		
53.	802-702C	HSHCS M12X1.75X25 GR8.8		
54.	802-704C	HSHCS M12X1.75X60 GR8.8 PLT		
55.	802-708C	DM M12 X 1.75 PLT BLADE BOLT		
56.	803-311C	NUT HEX FLANGE M12X1.75 PLT		
57.	826-329C	GBOX DISC MOWER 45HP 1:2.06		
58.	890-769C	CUTTER BLADE CW		
59.	890-770C	CUTTER BLADE CCW		
60.	9.535.500.00	CO SPINDLE ASSY, DISC MOWER	Includes 5,17.29.30.34.39.& 40	

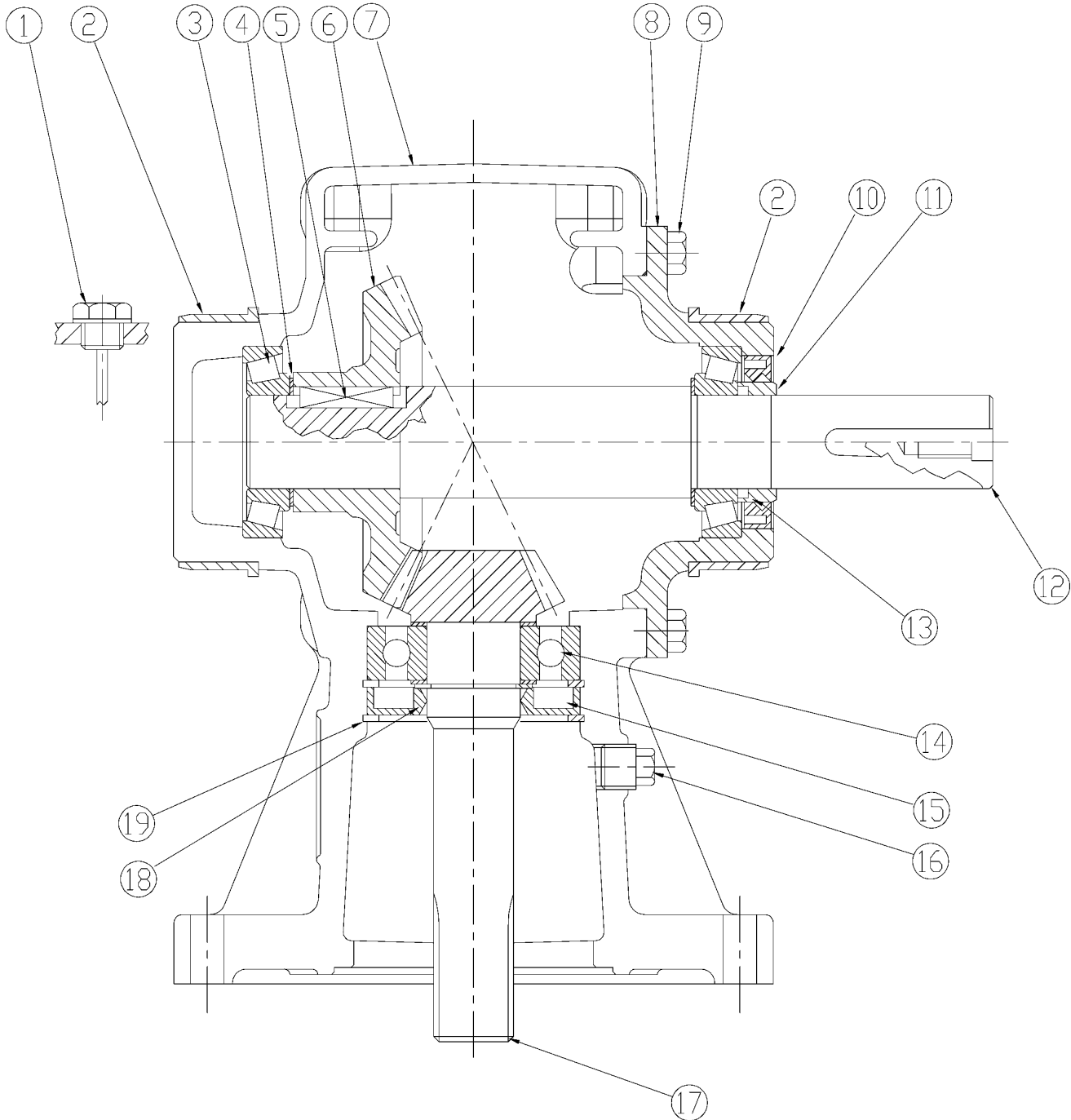
Cutter Unit (continued)

Applies to DM3705, DM3706, DM3707

This Page Intentionally Left Blank

Gearbox 826-329C

Applies to DM3705, DM3706, DM3707



21431

Gearbox 826-329C**Applies to DM3705, DM3706, DM3707**

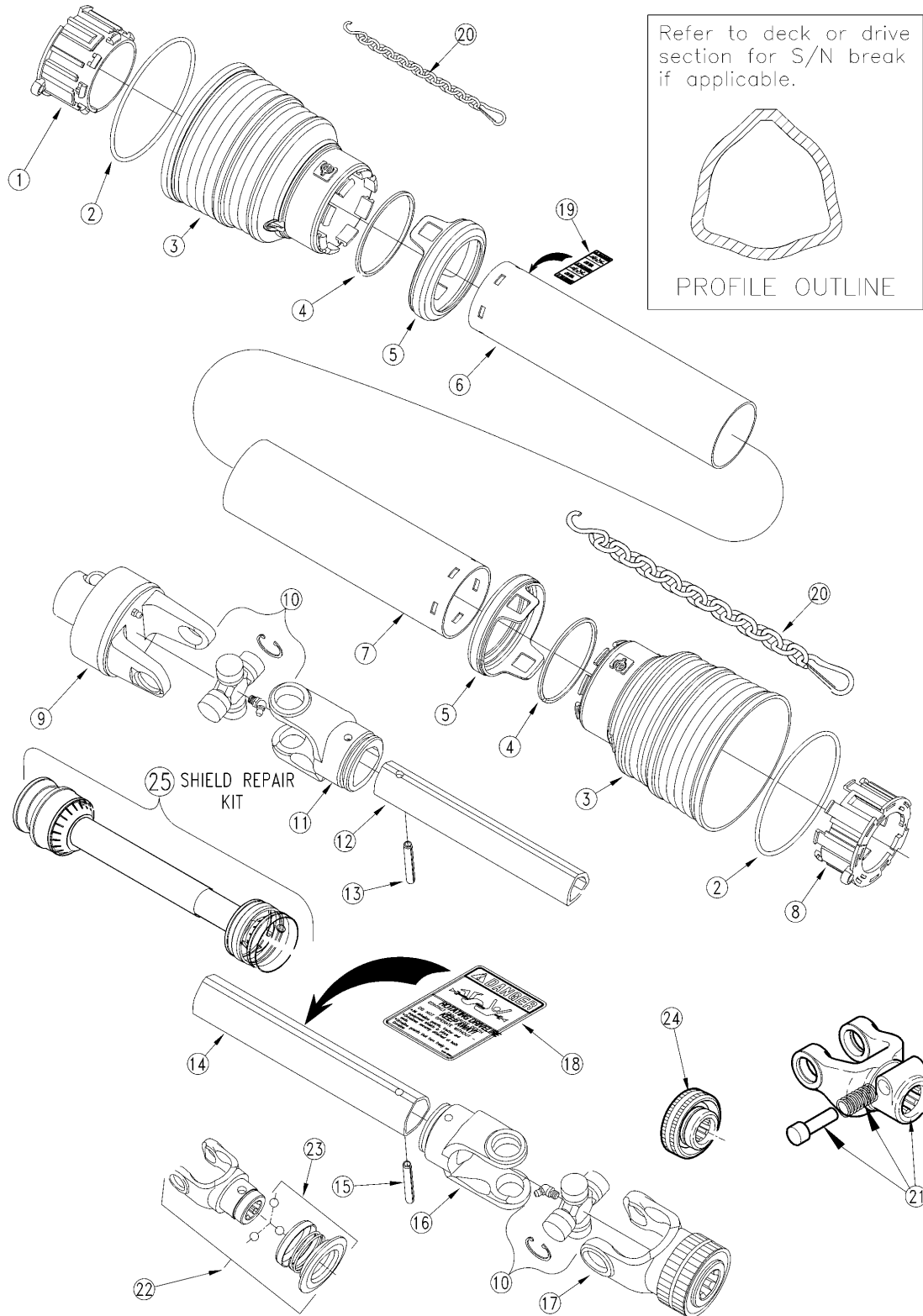
Ref	Part No.	Part Description	Comments	Revision
	dwg21431	Drawing Image Number		
1.	0.142.7101.00	CO 3/8GAS PLUG NOVENT W/DPSTCK		
2.	0.142.7103.00	CO BUSHING		
3.	822-167C	BEARING TAPER ROLLER 30207 SET		
4.	A.259.500	CO ADJUST SPACER KIT, 35.3 X48		
5.	8.4.1.01125	CO PAR. KEY B 10 X 8 X 35		
6.	0.142.5001.00	CO CROWN WHEEL Z33M3.75		
7.	0.194.0300.00	CO CASING		
8.	0.142.1301.00	CO COVER		
9.	8.1.1.01540	CO BOLT M10X22 8.8 DCRT320		
10.	8.7.1.00769	CO DOUBLE LIP SEAL 45X65X10		
11.	0.142.7100.00	CO BUSHING		
12.	0.142.2003.00	CO SHAFT		
13.	8.7.6.00954	CO O-RING 34.59 X 2.62		
14.	8.0.1.00644	CO BEARING 6307		
15.	8.7.3.00081	CO OIL SEAL 35 X 80 X 10 RTA35		
16.	8.6.5.00006	CO OIL PLUG 3/8		
17.	N/A	CO PINION SHAFT Z16 M3.75		
18.	8.5.1.00005	CO SNAP RING EXT 35 UN17435		
19.	8.5.2.00030	CO SNAP RING 80 UNI 7437		

*

Notes: Oil Type 80-90W Capacity 6.5 Pints

Driveline (826-172C)

Applies to DM3706, DM3707



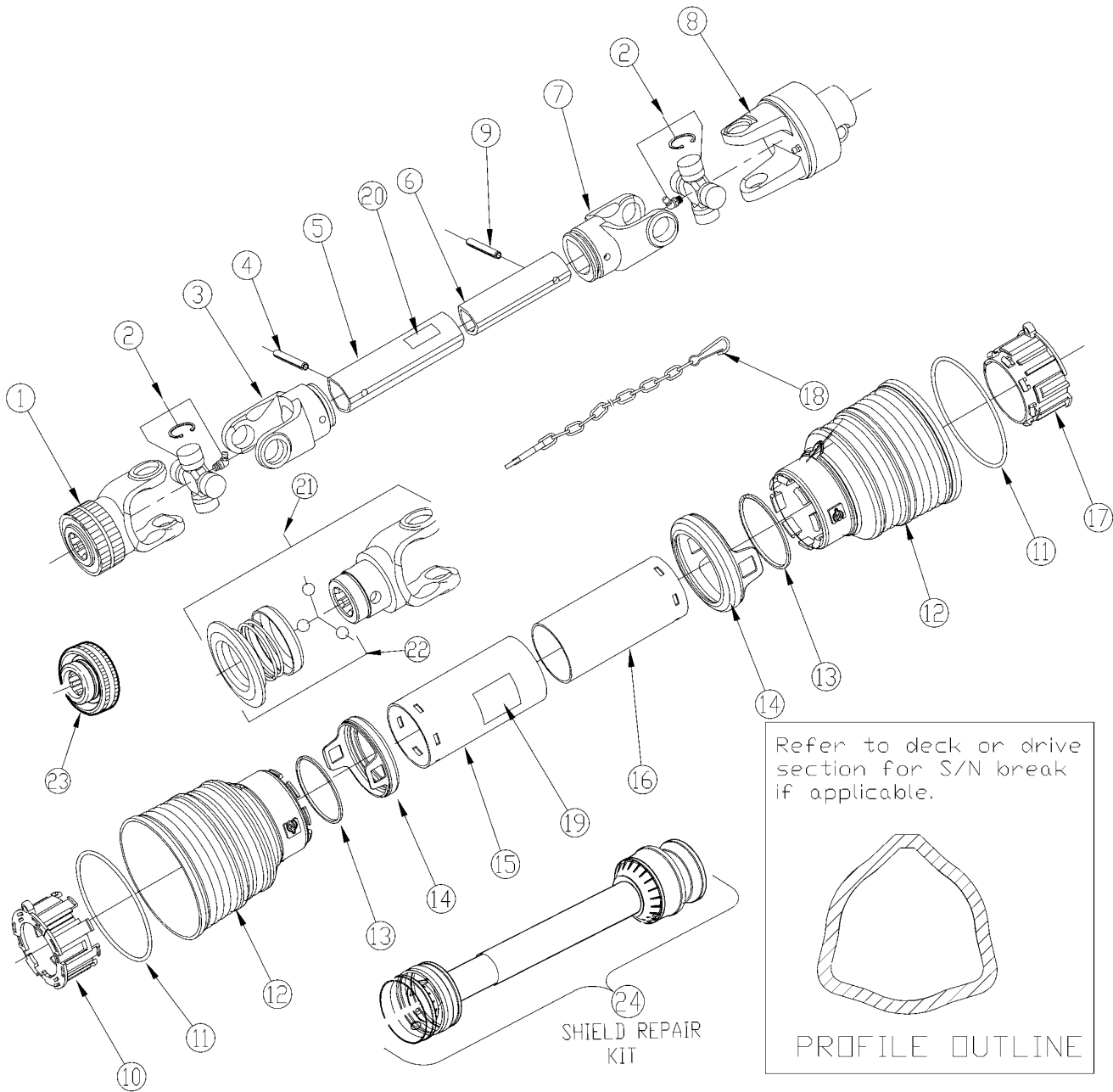
16913

Driveline (826-172C)**Applies to DM3706, DM3707**

Ref	Part No.	Part Description	Comments	Revision
	dwg16913 826-172C	Drawing Image Number DRIVELINE DISC MOWER	DM3706 & DM3707 (S/N 411126+) (Not used on DM3705)	
1.	1785711	EC TUBE BEARING (INNER TUBE)		
2.	1215733	EC STIFFENING RING		
3.	1885703	EC STANDARD CONE		
4.	1215735	EC STOP RING		
5.	1885709	EC SAFETY SLEEVE		
6.	1877046	EC INN STOCK LENGTH TUBE 460MM		
7.	1876046	EC OUTER TUBE 460MM		
8.	1785710	EC TUBE BEARING (OUTER TUBE)		
9.	1745226	EC FREE WHEEL CLUTCH IMP. END		
10.	1005020	EC CROSS ASSEMBLY		
11.	1705029	EC INNER TUBE YOKE		
12.	1526056	EC INNER TUBE (1526084) 560MM		
13.	6331065	EC 10X65-DIN-1485 ROLL PIN		
14.	1527056	EC 560MM OUT. STOCK LENGTH TB.		
15.	6331075	EC 10X75-DIN-1485 ROLL PIN		
16.	1705027	EC OUTER TUBE YOKE		
17.	1015010	EC YOKE ASSY. (TRACTOR END)		
18.	818-552C	DECAL DANGER PTO DRIVELINE		
19.	818-540C	DECAL DANGER GUARD MISS PTO		
20.	044321	DRIVELINE SHIELD SAFETY CHAIN		
21.	1025010	EC YOKE ASSEMBLY (TRACTOR END)		
22.	1015012	EC YOKE ASSEMBLY		
23.	1004225	EC PULL COLLAR KIT		
24.	1015010	EC YOKE ASSY. (TRACTOR END)		
25.	826-559C	SHIELD KIT, 826-172C		

Driveline (826-355C)

Applies to DM3705



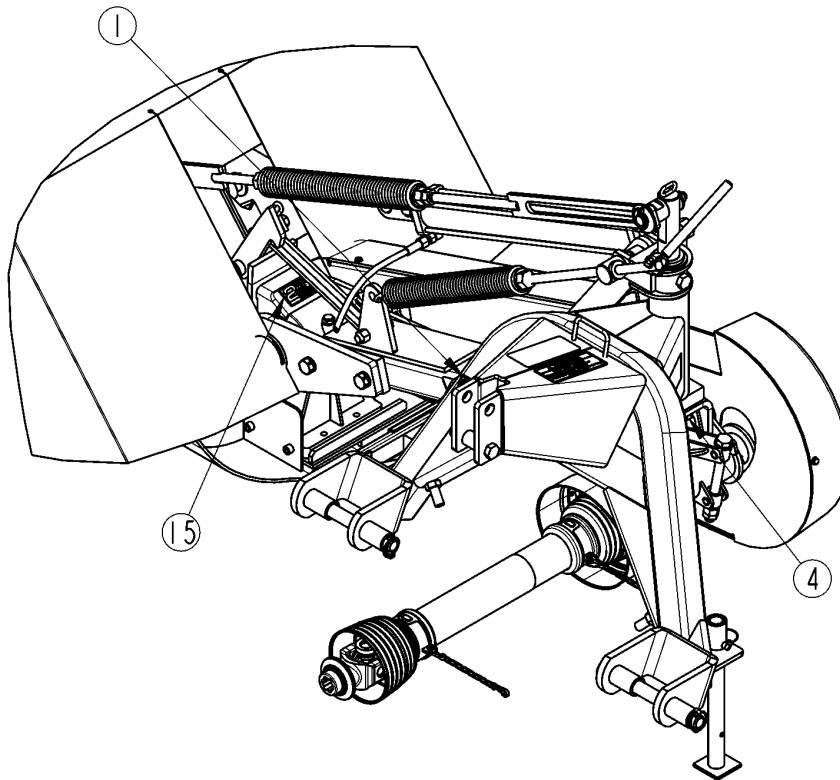
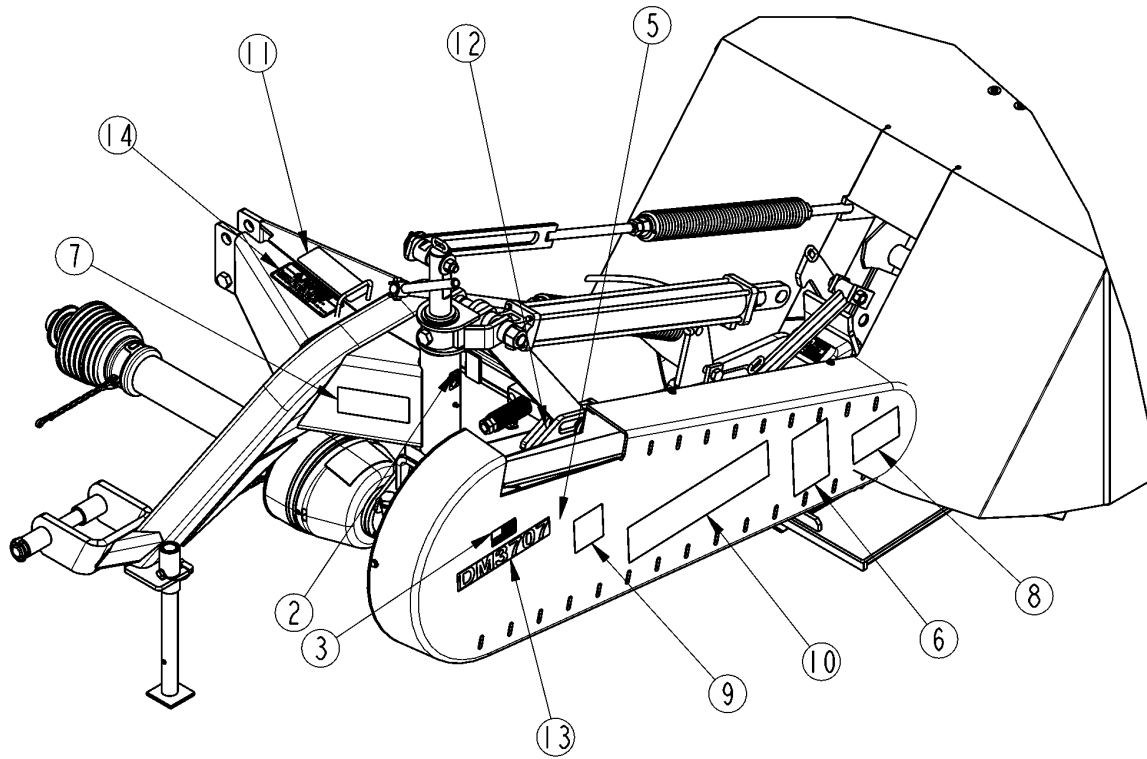
21377

Driveline (826-355C)**Applies to DM3705**

Ref	Part No.	Part Description	Comments	Revision
	dwg21377 826-355C	Drawing Image Number DRIVELINE DISC MOWER DM36	DM3705 (All Serial Numbers) DM3706 & DM3707 (S/N 411125-)	
1.	1015010	EC YOKE ASSY. (TRACTOR END)		
2.	1005020	EC CROSS ASSEMBLY		
3.	1705027	EC OUTER TUBE YOKE		
4.	6331075	EC 10X75-DIN-1485 ROLL PIN		
5.	1527047	EC OUTER TUBE (1527056) 470MM		
6.	1526047	EC INNER TUBE (1526084) 470MM		
7.	1705029	EC INNER TUBE YOKE		
8.	1745226	EC FREE WHEEL CLUTCH IMP. END		
9.	6331065	EC 10X65-DIN-1485 ROLL PIN		
10.	1785710	EC TUBE BEARING (OUTER TUBE)		
11.	1215733	EC STIFFENING RING		
12.	1885703	EC STANDARD CONE		
13.	1215735	EC STOP RING		
14.	1885709	EC SAFETY SLEEVE		
15.	1876037	EC OUTER TUBE (1876046) 370MM		
16.	1877037	EC INNER TUBE (1877046) 370MM		
17.	1785711	EC TUBE BEARING (INNER TUBE)		
18.	044321	DRIVELINE SHIELD SAFETY CHAIN		
19.	818-552C	DECAL DANGER PTO DRIVELINE		
20.	818-540C	DECAL DANGER GUARD MISS PTO		
21.	1015012	EC YOKE ASSEMBLY		
22.	1004225	EC PULL COLLAR KIT		
23.	1004220	EC TWIST COLLAR KIT (TRT. END)		
24.	826-560C	SHIELD KIT, 826-355C		

Label Placement

Applies to DM3705, DM3706, DM3707



21333

Label Placement

Applies to DM3705, DM3706, DM3707

Ref	Part No.	Part Description	Comments	Revision
	dwg21333	Drawing Image Number		
1.	818-132C	DECAL DANGER THROWN OBJECT HAZ		
2.	818-138C	DECAL GREASE EVERY 25 HOURS		
3.	818-190C	DECAL FLAG		
4.	818-298C	DECAL GREASE 25HRS BLACK/WHITE		
5.	818-543C	DECAL DANGER PD GUARD MISS SML		
6.	818-558C	DECAL WARNING GEN SAFE MOWER		
7.	818-626C	DECAL DANGER CRUSHING HAZARD		
8.	818-641C	DECAL DANGER ROTATE BLADE DM35		
9.	818-642C	DECAL DANGER THROWN OBJ DM35		
10.	818-902C	DECAL LANDPRIDE 16" - BIEGE		
11.	838-094C	DECAL WARNING HYD PRESS LONG		
12.	838-524C	DECAL ARROW		
13.	838-558C	DECAL DM3705 BEIGE		
13.	838-559C	DECAL DM3706 BEIGE		
13.	838-560C	DECAL DM3707 BEIGE		
14.	838-824C	DECAL DANGER PINCH PNT HAZARD		
15.	838-289C	DECAL 2 YEAR GEARBOX WARRANTY		



Part Number Index

The Part Number Index is a numeric index of all part numbers included in this manual. The index shows what page(s) the part is used on.

Part Number	Page	Part Number	Page	Part Number	Page	Part Number	Page
0.142.1301.0021	2A002211	8.0.1.0118417	804-012C15
0.142.2003.0021	2A003811	8.0.1.0191817	804-013C13
0.142.5001.0021	2A004811	8.0.4.0185217	804-015C15
0.142.7100.0021	2A025011	8.1.1.0154021	804-016C15
0.142.7101.0021	2A028011	8.1.2.0152717	804-019C7
0.142.7103.007, 21	2A039511	8.1.2.0213017	804-021C9
0.194.0300.0021	2A042211	8.1.2.0250017	804-022C9
0.404.7101.0017	2A045211	8.1.8.0248917	804-023C7, 9
0.404.7107.0017	2M352511	8.2.1.0098517	804-025C9
0.404.7108.0017	308-400D9	8.2.1.0152817	804-028C7
0.404.7112.0017	311-014H9	8.2.1.0153317	804-029C7
0.404.7131.0017	327-002H9	8.3.0.0135317	804-159C15
0.404.7135.0017	327-004H15	8.3.7.0226417	804-186C9
0.404.7137.0017	327-007H9	8.4.1.0112521	804-187C7
0.404.7154.0017	327-008H13	8.5.1.0000521	805-058C15
0.404.7155.0017	327-009H13	8.5.1.0068017	805-065C9
0.404.7156.0017	327-010D7	8.5.2.0003017, 21	805-103C9
0.420.7046.0017	327-011D7	8.5.2.0013117	805-126C7
0.420.7101.0017	327-011H15	8.6.5.0000621	805-143C15
0.535.7000.0017	327-015H9	8.7.1.0076921	805-154C15
0.536.6000.0017	327-016H9	8.7.3.0008121	805-246C7
0.536.6001.0017	327-021H15	8.7.6.0058817	807-197C15
0.536.6002.0017	327-022H7	8.7.6.0095421	807-203C7
0.536.6003.0017	327-024H9	8.7.6.0118817	807-207C7
0.536.7001.0017	327-028H15	800-080C9	808-321C13
0.536.7002.0017	327-029H15	801-035C13	808-322C13
0.536.7003.0017	327-034D7	802-004C13	808-358C13
0.536.7004.0017	327-035H15	802-010C13	810-177C11
0.536.7005.0017	327-036H15	802-015C15	810-505C7
0.536.7100.0017	327-038D7	802-017C13	811-337C7
0.536.7101.0017	327-040H15	802-022C7	811-558C7
0.536.7103.0017	327-041H15	802-024C15	815-132C13
0.536.7104.0017	327-050D9	802-034C15	816-376C13
0.536.7105.0017	327-054H7	802-041C15	817-468C15
0.536.7107.0017	327-055H7	802-058C7	817-532C13
04432123, 25	327-056H7	802-059C7, 9	818-132C27
100422025	327-057H7	802-068C9	818-138C27
100422523, 25	327-063H7	802-114C15	818-190C27
100502023, 25	327-066H7	802-128C15	818-298C27
101501023, 25	327-067D7	802-184C7	818-540C23, 25
101501223, 25	327-068H9	802-204C9	818-543C27
102501023	327-069H9	802-473C13	818-552C23, 25
121573323, 25	327-073H7	802-701C9, 13	818-558C27
121573523, 25	327-074H7	802-702C15, 18	818-626C27
152604725	327-075H7	802-703C7	818-641C27
152605623	327-082D15	802-704C15, 18	818-642C27
152704725	327-088D15, 18	802-706C9	818-902C27
152705623	327-089D15	802-708C18	822-100C13
170502723, 25	327-090D15	803-013C7	822-167C21
170502923, 25	327-092D15	803-020C15	826-172C13, 23
174522623, 25	327-095D13	803-021C9	826-240C13
178571023, 25	327-096D13	803-023C9	826-329C7, 13, 18
178571123, 25	327-101D9	803-024C7	826-355C13, 25
187603725	327-102D9	803-026C9	826-559C23
187604623	327-105D9	803-027C7, 9	826-560C25
187703725	327-106D9	803-036C15	838-094C27
187704623	327-118D15	803-038C7	838-289C27
188570323, 25	327-119D7	803-048C9	838-524C27
188570923, 25	327-120D7	803-078C15	838-558C27
2.420.7024.0017	327-167D7	803-099C9	838-559C27
2.420.7026.0017	327-181D7	803-147C15	838-560C27
2.535.0300.0017	3R041011	803-148C7	838-824C27
2.535.7100.0018	4B136SK13	803-181C9	890-182C9
2.536.0300.0017	4M310811	803-311C18	890-337C7
2.536.1700.0017	5M313211	803-318C13	890-589C7
2.536.1701.0017	633106523, 25	804-006C13	890-647C17
2.536.7106.0017	633107523, 25	804-007C13	890-656C17
2.537.0300.0017	6R015211	804-009C13	890-755C15
2.537.7100.0017	7M333211	804-010C13	890-769C18
2A001211	8.0.1.0064421	804-011C13	890-770C18



Part Number Index (continued)

<u>Part Number</u>	<u>Page</u>
890-772C	17
890-775C	15
890-776C	15
890-777C	15
890-813C	9
9.535.500.00	18
A.259.500	21
dwg16913	23
dwg21327	9
dwg21329	7
dwg21331	13
dwg21332	15
dwg21333	27
dwg21377	25
dwg21429	11
dwg21431	21
dwg22211	17
N/A	21
SK-X-1-375	13



Great Plains Manufacturing, Inc.

Corporate Office: P.O. Box 5060
Salina, Kansas 67402-5060 USA

www.landpride.com
