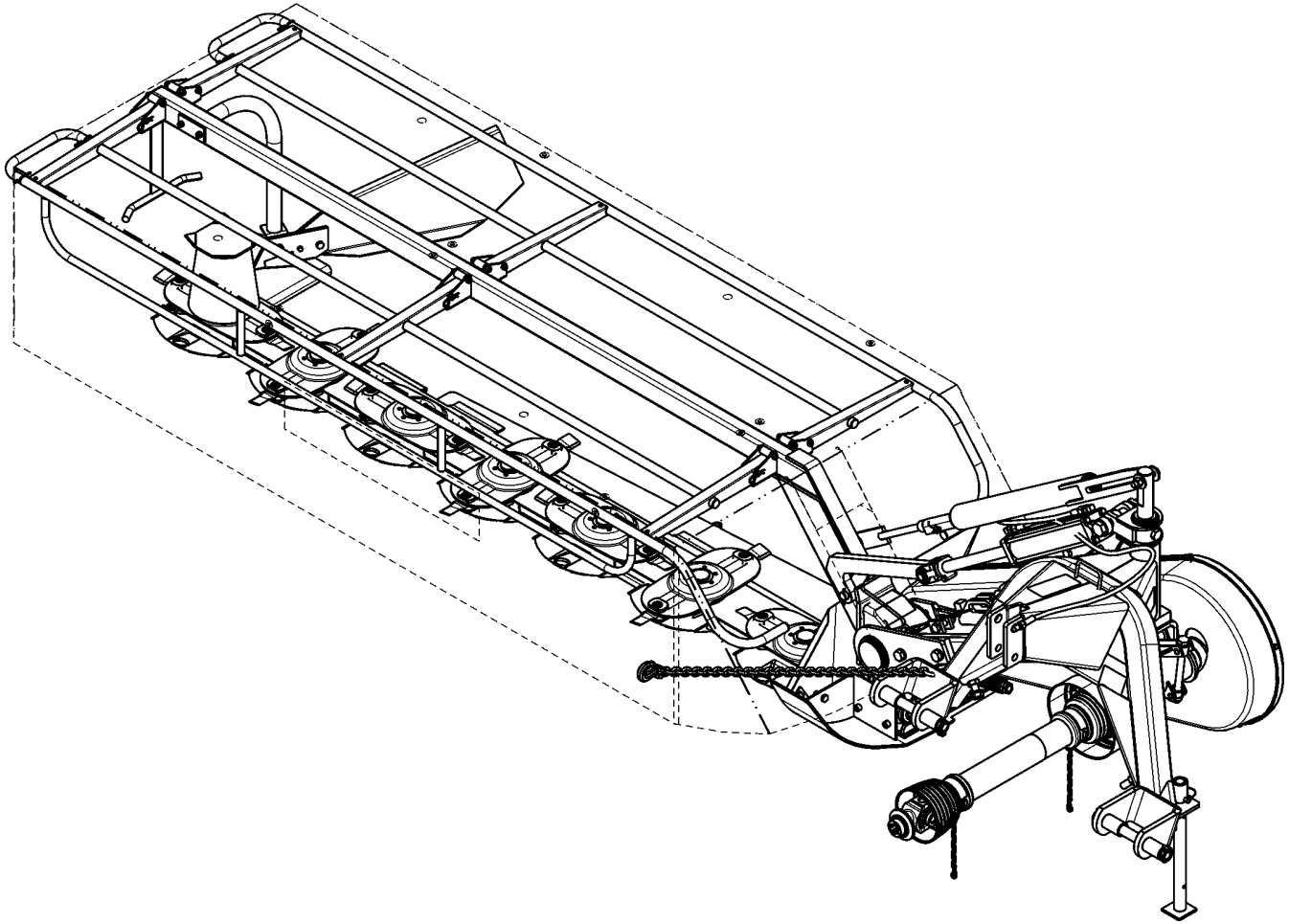


Disc Mower

DM3605, 3606 & DM3607



22486

327-045P
Parts Manual



Read the Operator's Manual entirely. When you see this symbol, the subsequent instructions and warnings are serious - follow without exception. Your life and the lives of others depend on it!

© Copyright 2015 Printed 07/27/15

Cover photo may show optional equipment not supplied with standard unit.





Table of Contents

Section 1: Introduction.....	4
Using This Manual.....	4
Manual Replacement Information.....	4
Manual Revisions.....	4
Touch-up Paint.....	4
Hardware Legend.....	5
Replacement Hardware.....	5
Serial Numbers.....	5
Part Number Service Coding.....	5
DM36 SERIES	
Section 2: Frame.....	6
Cylinder and Spring.....	6
Frame and Hitch.....	8
Hydraulic Cylinder 810-260C.....	10
Section 3: Belt Drive.....	12
DM36 Belt Drive.....	12
Section 4: Cutting Head.....	14
Curtain Hanger and Support.....	14
Cutter Unit.....	16
Gearbox 826-329C.....	20
Section 5: Driveline.....	22
Driveline (826-172C).....	22
Driveline (826-355C).....	24
Section 6: Labels.....	26
Label Placement.....	26
Part Number Index.....	28

© Copyright 2015. All rights reserved.

Land Pride provides this publication “as is” without warranty of any kind, either expressed or implied. While every precaution has been taken in the preparation of this manual, Land Pride assumes no responsibility for errors or omissions. Neither is any liability assumed for damages resulting from the use of the information contained herein. Land Pride reserves the right to revise and improve its products as it sees fit. This publication describes the state of this product at the time of its publication, and may not reflect the product in the future. The illustrations in this manual are not intended for safe and proper assembly or disassembly of equipment. The illustrations are intended for ordering parts only.

Land Pride is registered trademark.

All other brands and product names are trademarks or registered trademarks of their respective holders.

Printed in the United States of America.



Alphabetized Table of Contents

DM36 SERIES

C

Curtain Hanger and Support.....	14
Cutter Unit.....	16
Cylinder and Spring.....	6

D

DM36 Belt Drive.....	12
Driveline (826-172C).....	22
Driveline (826-355C).....	24

F

Frame and Hitch.....	8
----------------------	---

G

Gearbox 826-329C.....	20
-----------------------	----

H

Hydraulic Cylinder 810-260C.....	10
----------------------------------	----

L

Label Placement.....	26
----------------------	----

General Information

Using This Manual

This manual is divided into sections. The first section contains General Information. The remaining sections divide the machine into segments (i.e. Frames, Drives, Hydraulics, etc.) which illustrate and list all parts. A Parts Number Index is located at the back of the book.

The Land Pride parts in this manual are specially designed for this machine and should be replaced with Land Pride parts only.

The information in this manual is current at time of printing. Some parts may change to assure top performance.

Right-hand and left-hand as used in this manual are determined by facing the direction the machine will travel while in use.

Below is an example of two facing pages from a parts manual. Familiarize yourself with the type of information contained on these pages.

Manual Replacement Information

Replacement manuals are available. Refer to our website at www.landpride.com or e-mail us at lit@landpride.com for additional information. Our website continues to provide the most up-to-date manuals available.

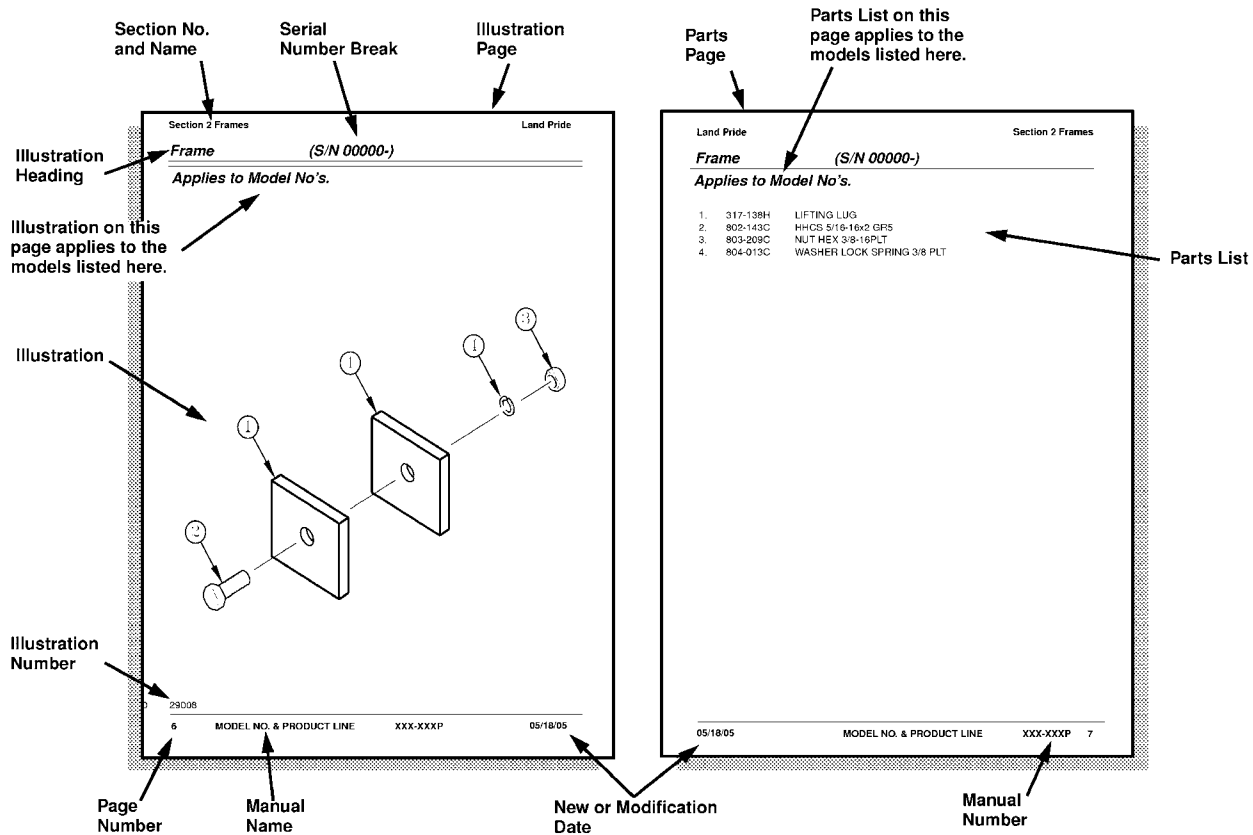
Touch-up Paint

Repaint parts where paint is worn or scratched to prevent rust. Aerosol cans and touch-up bottles with brush applicator are available through your local dealer. Land Pride color descriptions and part numbers are listed below. Also available are quart and gallon size paints. Add QT or GL to end of the Aerosol P/N.

Color	Product*	Aerosol	Touch-Up
Gloss Black	LP	821-032C	821-032CTU
Beige	LP	821-011C	821-011CTU
Green	SLP	821-058C	821-058CTU
Orange	SLP	821-066C	821-066CTU
Red	SLP	821-054C	821-054CTU
Blue	SLP	821-067C	821-067CTU

Notes:

- * LP = All Land Pride Products
- SLP = Select Land Pride Products that are available in optional Green, Orange and Red.



General Information

Hardware Legend

AR	As Required
BLADE	Blade Bolt
C	Cap Screw
CP	Cotter Pin
CPHSSS	Cup Point Hex Socket Set Screw
CPSHSS	Cup Point Square Head Set Screw
CPSQHSS	Cup Point Square Head Set Screw
CRFCHMS3	Cross Recess Flat Countersunk Head Machine Screw
CRPHMS	Cross Recess Pan Head Machine Screw
CRPHTF	Cross Recess Pan Head Thread Forming
CRRHMS	Cross Recess Round Head Machine Screw
CRTHMS	Cross Recess Truss Head Machine Screw
CSNB	Countersunk Square Neck Bolt
FHMS	Flat Head Machine Screw
FTC	Full Thread Cap Screw
H	Hex Nut
HCLN	Hex Center Lock Nut
HFLCS	Hex Flange Lock Cap Screw
HFS	Hex Flange Screw
HFSLN	Hex Flange Serrated Lock Nut
HFSS	Hex Flange Serrated Screw
HHCS	Hex Head Cap Screw or Metric Bolt
HSBHCS	Hex Socket Button Head Cap Screw
HSFCHCS	Hex Socket Flat Countersunk Head Cap Screw
HSHCS	Hex Socket Head Cap Screw
HSSS	Hex Socket Head Screw
HTLN	Hex Top Lock Nut
HWHCS	Hex Washer Head Cap Screw

HWHMS	Hex Washer Head Machine Screw
HXBHCS	Hex Socket Button Head Cap Screw
J	Hex Jam Nut
JIC	37 Degree Tapered Thread
L	Helical Spring Lock Washer
LUG	Lug Bolt
NFC	National Fine Cap Screw
NPSM	National Pipe Straight Mechanical
NPTF	National Pipe Taper Fuel
P	Wide Plain Washer
PHMS	Pan Head Machine Screw
PLOW	Plow Bolt
RHMS	Round Head Machine Screw
RHSNB	Round Head Square Neck Bolt
SCREW LEVELING	Leveling Screw
SCREW THUMB	Thumb Screw
SCREW WELD	Weld Screw
SFCHMS	Slotted Flat Countersunk Head Machine Screw
SFHMS	Slotted Fillister Head Machine Screw
SP	Special
SP SCREW	Special Screw
SQHSS	Square Head Set Screw
SRHMS	Slotted Round Head Machine Screw
SSS	Socket Set Screw
STCS	Self Tapping Cap Screw
STHMS	Slotted Truss Head Machine Screw
WHEEL	Wheel Studs and Hub Long Bolts
WING	Wing Bolt

Replacement Hardware

The **Hardware Legend** above lists hardware abbreviations used in the parts list. All bolts and nuts are Grade 5 unless otherwise noted. The use of improper grades of hardware can result in personal injury, damage to equipment, or loss of property.

Colored Replacement Parts

Land Pride offers replacement parts in factory standard colors and also on select models in Green, Orange, Red and Blue. Because of the variety of colors available, special attention must be given to the part number to prevent ordering the wrong replacement part.

A suffix number corresponding to one of the colors below must be added at the end of Land Pride's part number when ordering a replacement part with that color.

81 Green 83 Red
82 Orange 84 Blue

For example, if you are ordering a replacement part with part number 555-555C and the part you need is red, then add the suffix 83 to the end of the number to make the part number read 555-555C83. Parts ordered without a suffix number will be supplied in factory standard colors.

Black Replacement Parts

Some parts are factory standard black and some must be special ordered black. If your part is special ordered black, a second part number with the additional suffix number 85 on the end will be available. In this situation you must order that part with the suffix number for it to be black. Parts that are factory standard black will not have the suffix number.

Part Number Service Coding

Within the parts list some part numbers are coded for revisions and interchangeability. See notations in revision column.

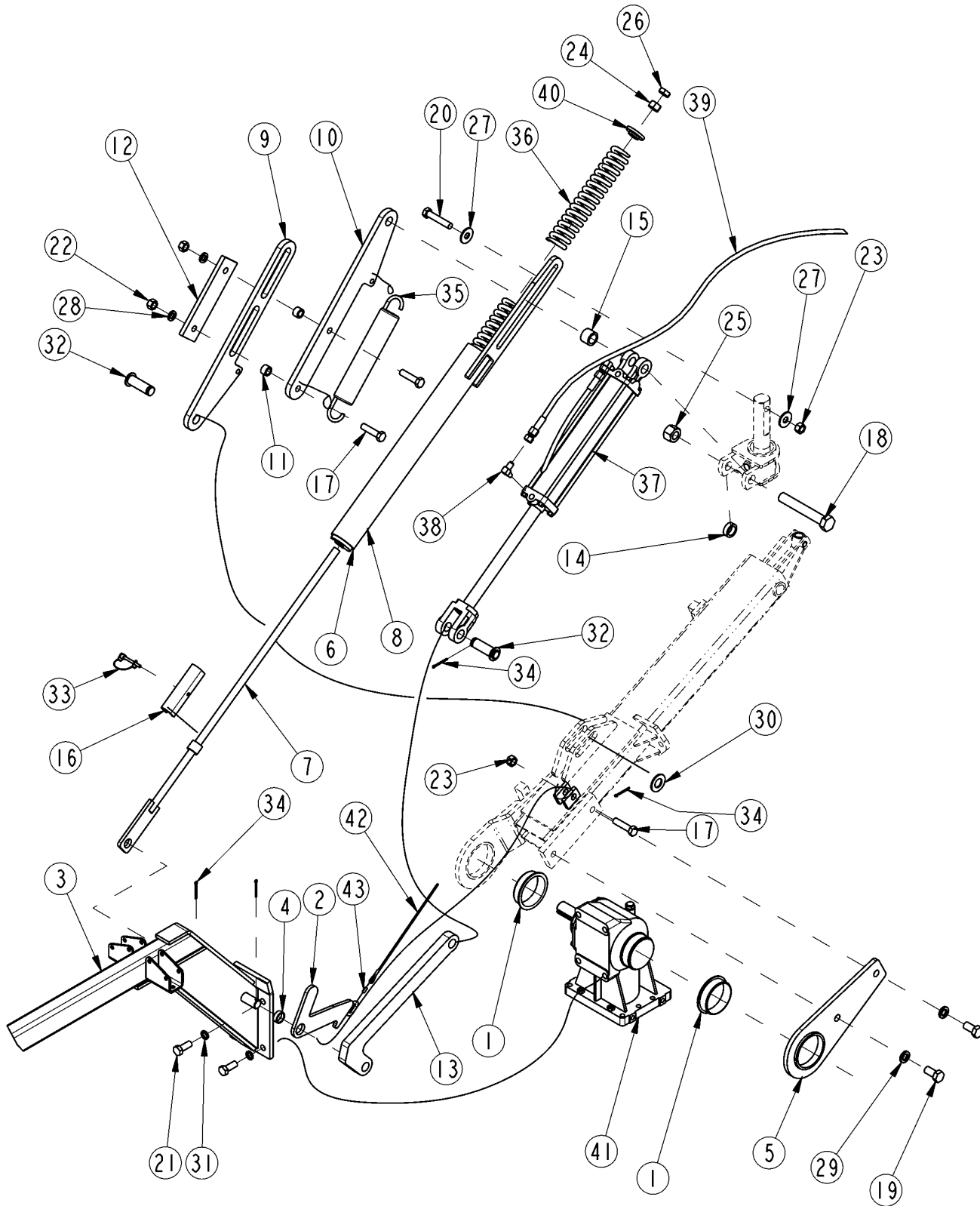
Serial Numbers

Always use the serial and model number when ordering parts. Refer to the Operator's Manual for serial number plate location.

- | | |
|----------------------|--|
| (S/N 20001+) | Includes serial numbers 20001 and above (to the latest number) |
| (S/N 10001 to 20000) | Includes serial numbers between and including 10001 and 20000 |
| (S/N 10000-) | Includes serial numbers 10000 and below (to the earliest number) |

Cylinder and Spring

Applies to DM3605, DM3606, DM3607



22467

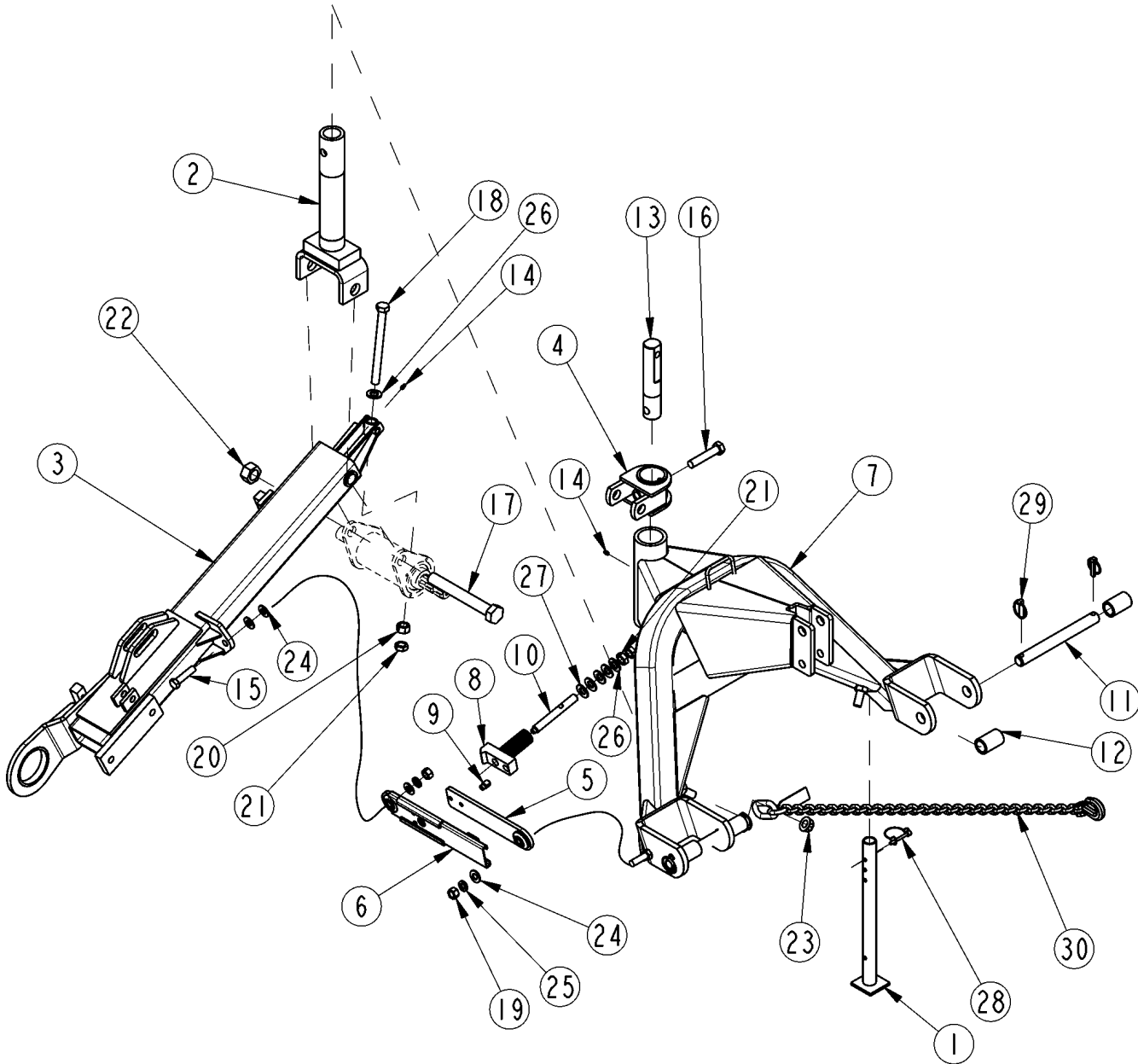
Cylinder and Spring

Applies to DM3605, DM3606, DM3607

Ref	Part No.	Part Description	Comments	Revision
	dwg22467	Drawing Image Number		
1.	0.142.7103.00	CO BUSHING		
2.	327-001H	ROAD LATCH WELDMENT DM36		
3.	327-005H	CANVAS SUPPORT WELDMENT DM3607		
4.	327-007D	ROAD LATCH BUSHING DM36		
5.	327-181D	GEARBOX LUG FRONT		
5.	327-022H	RPBY 327-181D		
6.	327-051H	SPRING TUBE WELD		
7.	327-052H	SPRING ROD WELD		
8.	327-053K	SPRING ASSY.		
9.	327-054D	LIFT SPRING LOWER PLATE DM36		
10.	327-055D	LIFT SPRING UPPER PLATE DM36		
11.	327-056D	SPACER BUSHING DM36		
12.	327-057D	CLAMP PLATE DM36		
13.	327-100D	CYL. EXT. ARM DM36		
14.	327-119D	SPACER SHORT		
15.	327-120D	SPACER LONG		
16.	327-146D	FIELD RUN STROKE CONTROL		
17.	802-058C	HHCS 5/8-11X2 1/2 GR5		
18.	802-074C	HHCS 1-8X6 1/2 GR5		
19.	802-184C	HHCS 3/4-10X1 1/2 GR5		
20.	802-394C	HHCS 5/8-11X3 1/4 GR8		
21.	802-703C	HHCS M16X2.0X40 GR8.8		
22.	803-021C	NUT HEX 5/8-11 PLT		
23.	803-024C	NUT LOCK 5/8-11 PLT		
24.	803-027C	NUT HEX 3/4-10 PLT		
25.	803-038C	NUT HEX 1-8 NYLON INSERT PLT		
26.	803-048C	NUT HEX JAM 3/4-10 PLT		
27.	804-019C	WASHER FLAT 5/8 USS PLT		
28.	804-022C	WASHER LOCK SPRING 5/8 PLT		
29.	804-023C	WASHER LOCK SPRING 3/4 PLT		
30.	804-029C	WASHER FLAT 1 SAE		
31.	804-187C	WASHER SPRING LOCK M16 PLT		
32.	805-004C	PIN CLEVIS 1 X 2 3/4 USABLE LG		
33.	805-065C	PIN WIRE RETAINING 1/4 X 1 3/4		
34.	805-246C	PIN COTTER 5/32 X 1 3/4 LG		
35.	807-016C	SPRING RESET HOE		
36.	807-134C	SPRING COMP 2 3/8 OD X 12 5/16		
37.	810-260C	CYL 2.5X12X1.25(TIE ROD)W/BUSH		
38.	811-337C	OREL 1/16 9/16MJIC 9/16MORB		
39.	811-558C	HH3/8R2 085 3/4MORB 9/16FJIC		
40.	812-031C	CASTING COULTER SPRING WASHER		
41.	826-329C	GBOX DISC MOWER 45HP 1:2.06		
42.	890-337C	CORD-PARACHUTE 3/16	8' Required	
43.	890-589C	5/32 I.D. OVAL SLEEVE		

Frame and Hitch

Applies to DM3605, DM3606, DM3607



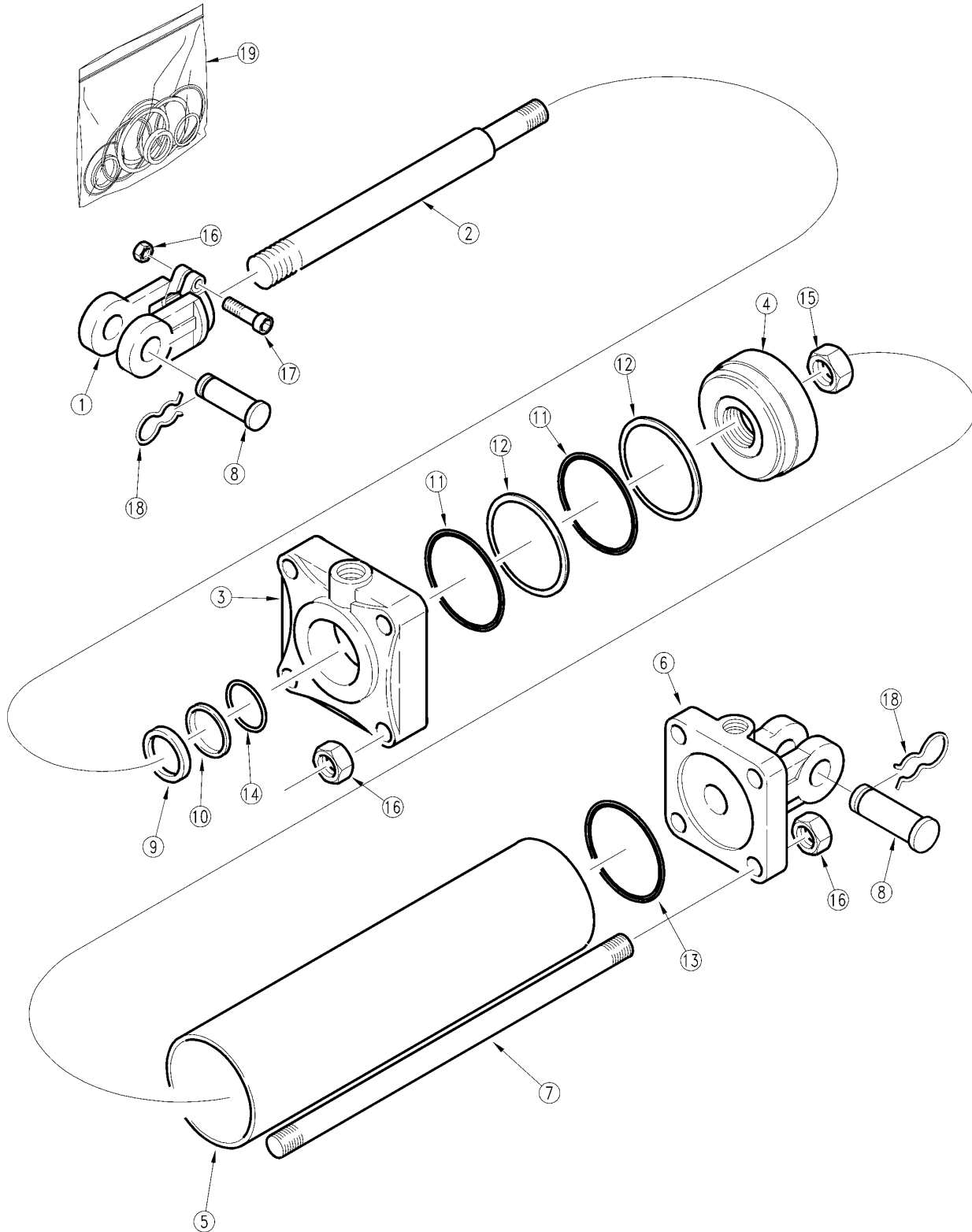
22466

Frame and Hitch**Applies to DM3605, DM3606, DM3607**

Ref	Part No.	Part Description	Comments	Revision
	dwg22466	Drawing Image Number		
1.	311-014H	STAND LEG RTA10/15/20 RTR20		
2.	327-002H	PIVOT WELDMENT DM37		
3.	327-003H	REACH TUBE WELDMENT DM36		
4.	327-013H	PIVOT HEAD WELDMENT DM36		
5.	327-015H	BREAKAWAY INNER WELDMENT DM36		
6.	327-016H	BREAKAWAY OUTER WELDMENT DM36		
7.	327-024H	HITCH WELDMENT DM36		
8.	327-050D	BREAK TENSION BAR DM36		
9.	327-101D	LATCH PIVOT DM36		
10.	327-102D	LATCH SPRING BOLT DM36		
11.	327-105D	LOWER HITCH PIN DM36		
12.	327-106D	INNER HITCH SPACER DM36		
13.	327-145D	SPRING MOUNT HITCH		
14.	800-080C	GREASE ZERK 1/4-28 THD FORMING		
15.	802-058C	HHCS 5/8-11X2 1/2 GR5		
16.	802-204C	HHCS 3/4-10X3 3/4 GR5		
17.	802-701C	HHCS 1 1/8-7X8 1/2 GR5		
18.	802-706C	HHCS 3/4-10X8 1/2 GR5 FTHD		
19.	803-021C	NUT HEX 5/8-11 PLT		
20.	803-027C	NUT HEX 3/4-10 PLT		
21.	803-048C	NUT HEX JAM 3/4-10 PLT		
22.	803-099C	NUT HEX 1 1/8-7 PLT		
23.	803-299C	NUT HEX FLG TOP LK 3/4-10 PLT		
24.	804-021C	WASHER FLAT 5/8 SAE PLT		
25.	804-022C	WASHER LOCK SPRING 5/8 PLT		
26.	804-025C	WASHER FLAT 3/4 SAE PLT		
27.	804-186C	WASHER BELLEVILLE .761 ID DM36	Qty. 32	
28.	805-065C	PIN WIRE RETAINING 1/4 X 1 3/4		
29.	805-103C	PIN LYNCH 7/16 X 1 3/4		
30.	890-182C	SAFETY CHAIN 10000 LB		

Hydraulic Cylinder 810-260C

Applies to DM3605, DM3606, DM3607



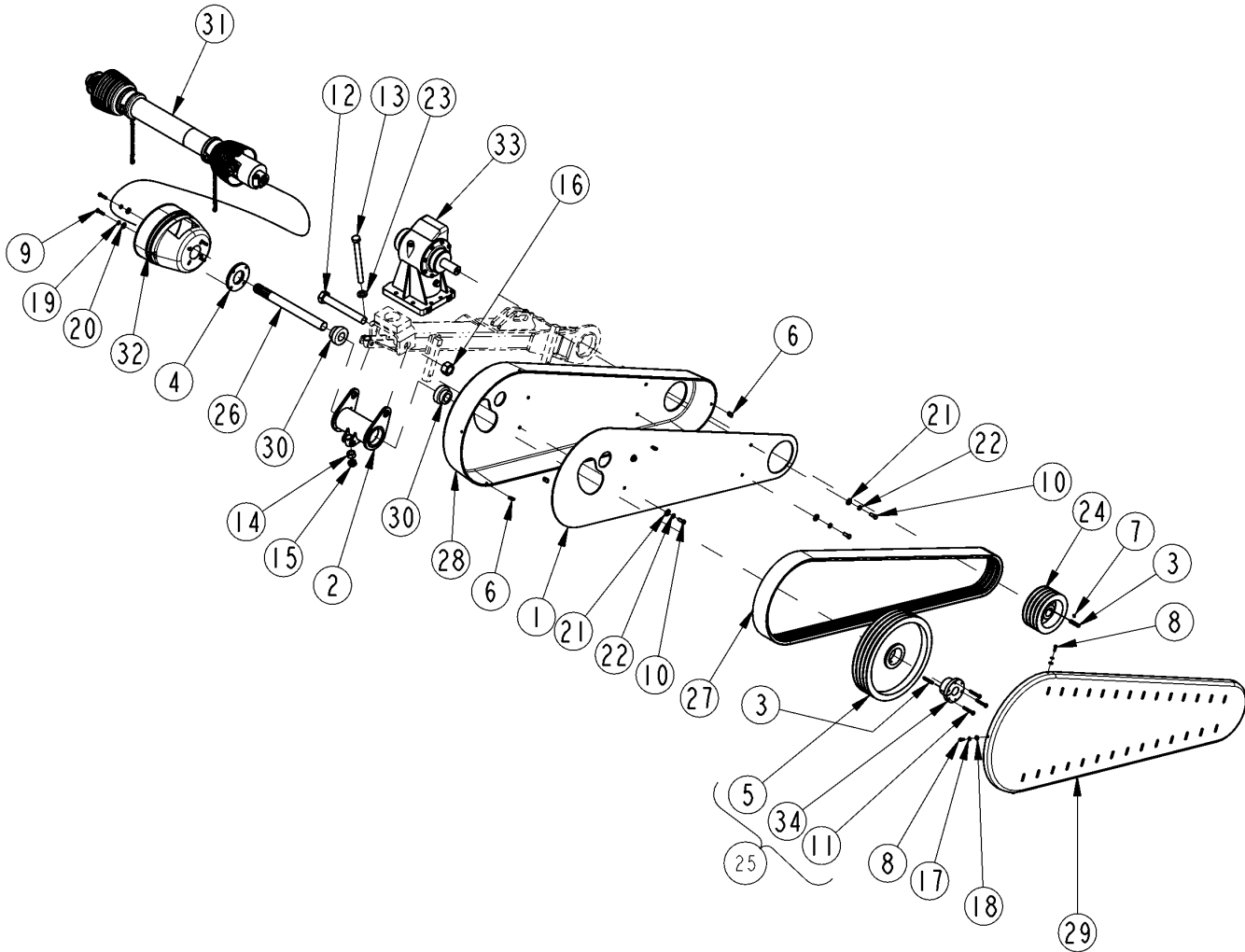
22476

Hydraulic Cylinder 810-260C**Applies to DM3605, DM3606, DM3607**

Ref	Part No.	Part Description	Comments	Revision
	dwg22476	Drawing Image Number		
1.	1M6010	MW CLEVIS STD. DUTY		
2.	2M3418	MW ROD		
3.	3R0410	MW HEAD		
4.	4M3108	MW PISTON		
5.	5M3120	MW TUBE		
6.	6R0152-ADI	MIDWAY ADI BASE		
6.	6R0158	RPBY 6R0152-ADI		
7.	7M3320	MW TIE ROD		
8.	805-004C	PIN CLEVIS 1 X 2 3/4 USABLE LG		
9.	2A0038	MW WIPER		
10.	2A0422	U-CUP		
11.	2A0250	O-RING MIDWAY		
12.	2A0280	MW BACK UP		
13.	2A0452	CROWN SEAL MIDWAY		
14.	2A0048	MW O-RING		
15.	2A0019	TIE ROD NUT MIDWAY		
16.	2A0012	MW NUT CLEVIS & TIE ROD		
17.	802-023C	HHCS 3/8-16X1 3/4 GR5		
18.	2A0132	MW PIN CLIP		
19.	810-177C	SEAL KIT MW (5A3104) 2.5X1.25R		

DM36 Belt Drive

Applies to DM3605, DM3606, DM3607

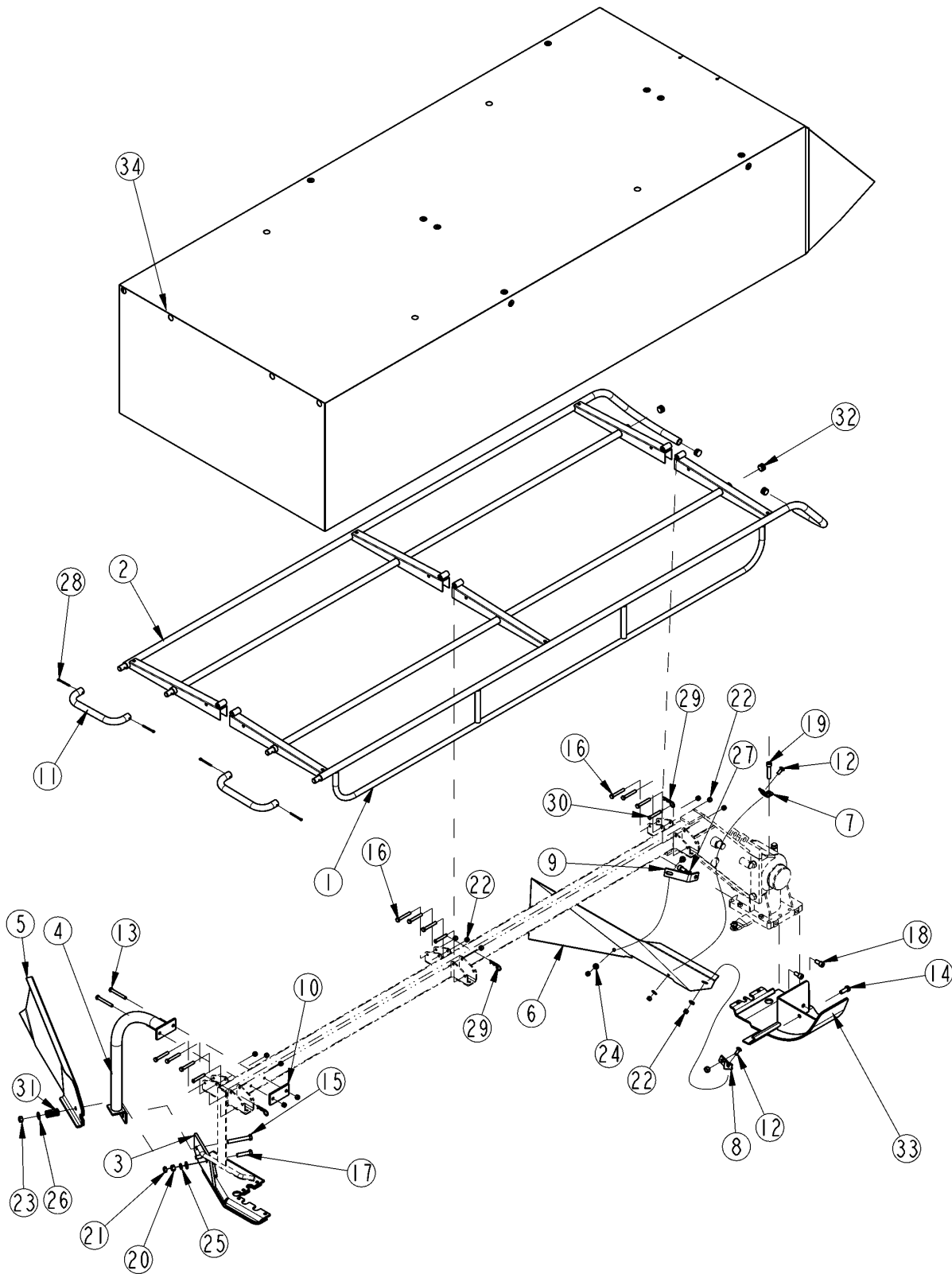


DM36 Belt Drive**Applies to DM3605, DM3606, DM3607**

Ref	Part No.	Part Description	Comments	Revision
	dwg22472	Drawing Image Number		
1.	327-008D	RPBY 327-079K		
2.	327-009H	PTO HOUSING WELDMENT		
3.	327-095D	KEY 5/16 X 2" DM36		
4.	327-096D	COVER SPACER PTO DM36		
5.	4B136SK	PULLEY 14 3/8 4BSHIV		
6.	800-163C	CLIP U-TYPE NUT 1/4-20 SLF-RET		
7.	801-035C	SCREW SET 5/16-18 SKT KP X 3/8		
8.	802-004C	HHCS 1/4-20X3/4 GR5		
9.	802-010C	HHCS 5/16-18X1 1/4 GR5		
10.	802-017C	HHCS 3/8-16X1 GR5		
11.	802-473C	HHCS 5/16-18X2 FTHD		
12.	802-701C	HHCS 1 1/8-7X8 1/2 GR5		
13.	802-706C	HHCS 3/4-10X8 1/2 GR5 FTHD		
14.	803-027C	NUT HEX 3/4-10 PLT		
15.	803-048C	NUT HEX JAM 3/4-10 PLT		
16.	803-099C	NUT HEX 1 1/8-7 PLT		
17.	804-006C	WASHER LOCK SPRING 1/4 PLT		
18.	804-007C	WASHER FLAT 1/4 SAE PLT		
19.	804-009C	WASHER LOCK SPRING 5/16 PLT		
20.	804-010C	WASHER FLAT 5/16 USS PLT		
21.	804-011C	WASHER FLAT 3/8 USS PLT		
22.	804-013C	WASHER LOCK SPRING 3/8 PLT		
23.	804-025C	WASHER FLAT 3/4 SAE PLT		
24.	808-322C	PULLEY 6 3/4 4BSHIV 1 3/8B5/16		
25.	808-358C	14 3/8 4BSHIV2PC5/16KEYHUB		
26.	815-132C	DM PTO SHAFT DM36		
27.	816-376C	BELT 4/B120 DISC MOWER DM36		
28.	817-461C	RPBY 327-079K		
29.	817-462C	RPBY 327-079K		
30.	822-100C	BRG 1 3/8 B X 72MM OD W/COLLAR		
31.	826-172C	DRIVELINE DISC MOWER	DM3606 & DM3607	
31.	826-355C	DRIVELINE DISC MOWER DM36	DM3605	
32.	826-240C	SMALL SHAFT CONE W ACCESS DOOR		
33.	826-329C	GBOX DISC MOWER 45HP 1:2.06		
34.	SK-X-1-375	HUB 5/16 KEYED (FOR 808-358C)		

Curtain Hanger and Support

Applies to DM3605, DM3606, DM3607



21332

Curtain Hanger and Support

Applies to DM3605, DM3606, DM3607

Ref	Part No.	Part Description	Comments	Revision
	dwg21332	Drawing Image Number		
1.	327-004H	CANVAS FRAME WELDMENT F DM3607		
1.	327-035H	CANVAS FRAME WELDMENT F DM3606		
1.	327-040H	CANVAS FRAME WELDMENT F DM3605		
2.	327-011H	CANVAS FRAME WELDMENT R DM3607		
2.	327-036H	CANVAS FRAME WELDMENT R DM3606		
2.	327-041H	CANVAS FRAME WELDMENT R DM3605		
3.	327-021H	OUTER BRACKET WELDMENT DM36		
4.	327-028H	BLADE BAR SUPPORT DM36		
5.	327-029H	MATERIAL GUIDE WELDMENT DM36		
6.	327-082D	INSIDE MATERIAL DEFLECTOR		
7.	327-088D	BRACKET		
8.	327-089D	BRACKET		
9.	327-090D	BRACKET		
10.	327-092D	MOUNTING PLATE		
11.	327-118D	BUMPER		
12.	802-015C	RHSNB 3/8-16X1 GR5		
13.	802-024C	HHCS 3/8-16X3 GR5		
14.	802-034C	HHCS 1/2-13X1 1/4 GR5		
15.	802-041C	HHCS 1/2-13X3 1/2 GR5		
16.	802-114C	HHCS 3/8-16X2 1/2 GR5		
17.	802-128C	HHCS 1/2-13X2 GR5		
18.	802-702C	HSHCS M12X1.75X25 GR8.8		
19.	802-704C	HSHCS M12X1.75X60 GR8.8 PLT		
20.	803-020C	NUT HEX 1/2-13 PLT		
21.	803-036C	NUT HEX JAM 1/2-13 PLT		
22.	803-078C	NUT LOCK 3/8-16 NYLON INSERT		
23.	803-147C	NUT HEX NYLOCK 1/2-13		
24.	804-012C	WASHER FLAT 3/8 SAE PLT		
25.	804-015C	WASHER LOCK SPRING 1/2 PLT		
26.	804-016C	WASHER FLAT 1/2 SAE PLT		
27.	804-159C	WASHER SPRING LOCK M12 PLT		
28.	805-058C	PIN COTTER 3/16 X 2		
29.	805-143C	PIN HAIR COTTER .120 PLT		
30.	805-154C	PIN CLEVIS 3/8 X 2 1/8 USABLE		
31.	N/A	SPRING COMP.622IDX1.85LGX.218W		
32.	817-468C	PLUG PLASTIC(3/4"SCHED.40 PIPE		
33.	890-755C	COMER DM INSIDE SKID SHOE		
34.	890-777C	DM3607 TARP		
34.	890-775C	DM3605 TARP		
34.	890-776C	DM3606 TARP		

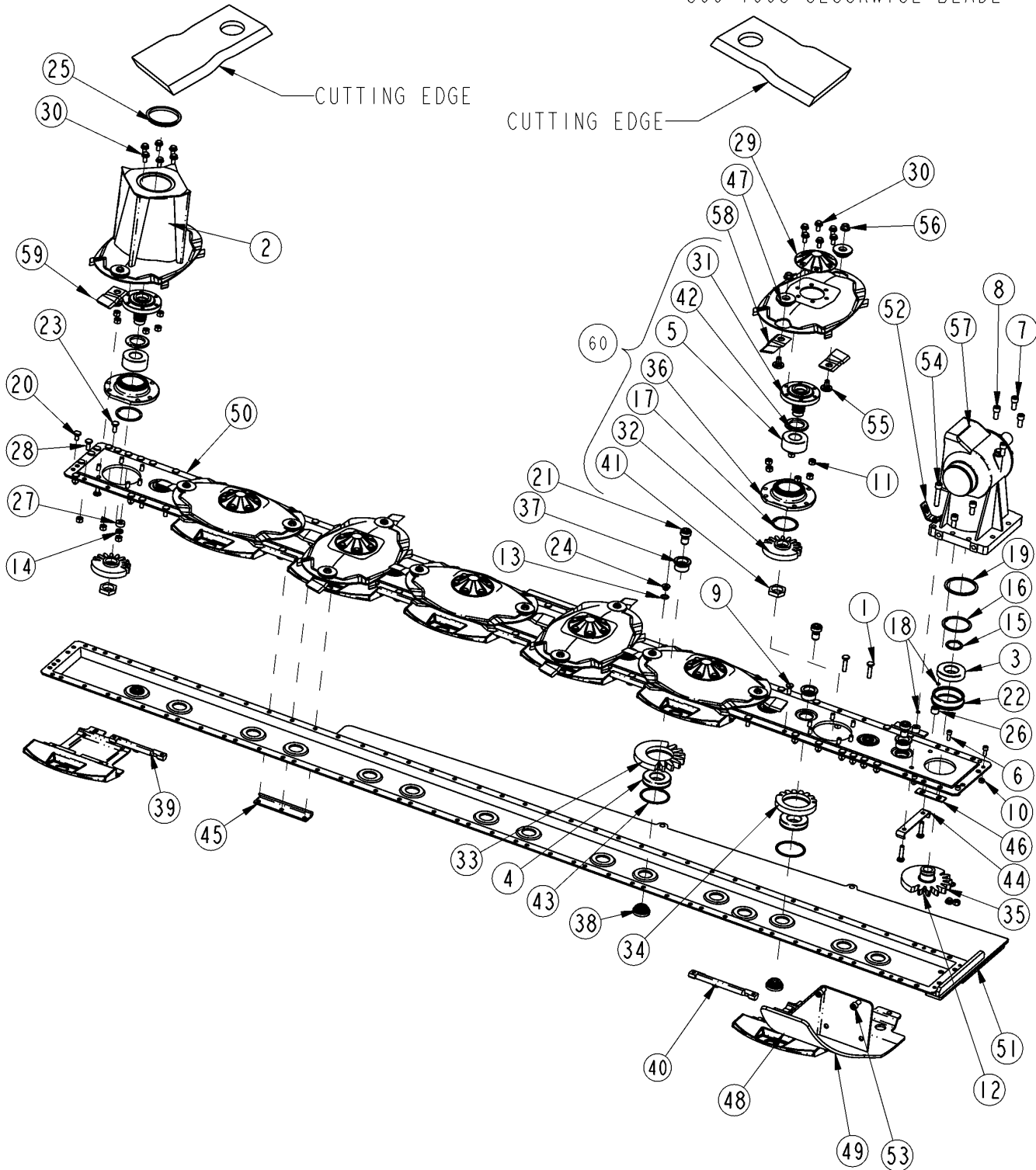
Cutter Unit

Applies to DM3605, DM3606, DM3607

890-770C COUNTER-
CLOCKWISE BLADE

NOTICE CUTTING EDGE ON OLD
BLADE WHEN REORDERING

890-769C CLOCKWISE BLADE



22211

Cutter Unit**Applies to DM3605, DM3606, DM3607**

Ref	Part No.	Part Description	Comments	Revision
	dwg22211	Drawing Image Number		
	890-647C	COMER DISC MOWER 6 DISC BAR		
	890-656C	COMER DISC MOWER 7 DISC BAR		
	890-772C	COMER DISC MOWER 5 DISC BAR		
1.	0.404.7156.00	CO SCREW M10X43DCRT320		
2.	N/A	CO CONVEYOR 890-773C		
3.	8.0.1.01184	CO BEARING 6208/C3		
4.	8.0.1.01918	CO BEARING 6208 N/C3		
5.	8.0.4.01852	CO BEARING BAH-0013		
6.	8.1.2.01527	CO BOLT M8X25 8.8 DCRT320		
7.	8.1.2.02130	CO BOLT M12X60 12,9 DCRT 320		
8.	8.1.2.02500	CO BOLT M12X55 12,9 DCRT 320		
9.	8.1.8.02489	CO BOLT		
10.	8.2.1.00985	CO HEX. NUT M8 ZINC. PLATED 8		
11.	8.2.1.01528	CO EX NUT M10 10 DCRT 320		
12.	8.2.1.01533	CO EX NUT M12 10 DCRT 320		
13.	8.3.0.01353	CO BOLT WASHER 17X22X1.5		
14.	8.3.7.02264	CO SPRING WASHER 10.2X22.1.6		
15.	8.5.1.00680	CO SNAP RING 40 UNI 7436		
16.	8.5.2.00030	CO SNAP RING 80 UNI 7437		
17.	8.5.2.00131	CO SNAP RING INT 72 UN17437		
18.	8.7.6.00588	CO O-RING OR-2037		
19.	8.7.6.01188	CO O-RING OR-4375		
20.	0.404.7101.00	CO SCREW M10X30DCRT320		
21.	0.404.7107.00	CO BOLT M20X30DCRT320		
22.	0.404.7108.00	CO BUSH		
23.	0.404.7112.00	CO SCREW M10X19DCRT320		
24.	0.404.7131.00	CO PLUG 3/8"GAS		
25.	0.404.7135.00	CO CAP		
26.	0.404.7137.00	CO SPACER		
27.	0.404.7154.00	CO SPACER		
28.	0.404.7155.00	CO SCREW M10X25DCRT320		
29.	0.420.7046.00	CO CAP		
30.	0.420.7101.00	CO BOLT M10X20		
31.	0.535.7000.00	CO SHAFT		
32.	0.536.6000.00	CO GEAR z34 M3		
33.	0.536.6001.00	CO GEAR z45 M3		
34.	0.536.6002.00	CO GEAR z36 M3		
35.	0.536.6003.00	CO GEAR z45 M3		
36.	0.536.7001.00	CO FLANGE		
37.	0.536.7002.00	CO PIN		
38.	0.536.7003.00	CO PIN		
39.	0.536.7004.00	CO COMPLETE SHIELD I=380		
40.	0.536.7005.00	CO COMPLETE SHIELD I=420		
41.	0.536.7100.00	CO HEX. NUT		
42.	0.536.7101.00	CO COMPLETE SHIELD		
43.	0.536.7103.00	CO SNAP RING		
44.	0.536.7104.00	CO BACK REINFORCEMENT		
45.	0.536.7105.00	CO COMPLETE SHIELD I=170		
46.	0.536.7107.00	CO FRONT REINFORCEMENT		
47.	N/A	CO REINFORCED DISC		
48.	N/A	CO SKID		
49.	2.536.1701.00	CO SKID 890-755C		
50.	2.537.0300.00	CO CUTTERBED+COVER	7 Disc	
50.	2.536.0300.00	CO CUTTERBED/COVER	6 Disc	
50.	2.535.0300.00	CO CUTTERBED/COVER	5 Disc	
51.	2.537.7100.00	CO BACK REINFORCEMENT	7 Disc	
51.	2.536.7106.00	CO BACK REINFORCEMENT	6 Disc	

Cutter Unit (continued)

Applies to DM3605, DM3606, DM3607

Ref	Part No.	Part Description	Comments	Revision
51.	2.535.7100.00	CO BACK REINFORCEMENT	5 Disc	
52.	327-088D	BRACKET		
53.	802-702C	HSHCS M12X1.75X25 GR8.8		
54.	802-704C	HSHCS M12X1.75X60 GR8.8 PLT		
55.	802-708C	DM M12 X 1.75 PLT BLADE BOLT		
56.	803-311C	NUT HEX FLANGE M12X1.75 PLT		
57.	826-329C	GBOX DISC MOWER 45HP 1:2.06		
58.	890-769C	CUTTER BLADE CW		
59.	890-770C	CUTTER BLADE CCW		
60.	9.535.500.00	CO SPINDLE ASSY, DISC MOWER		

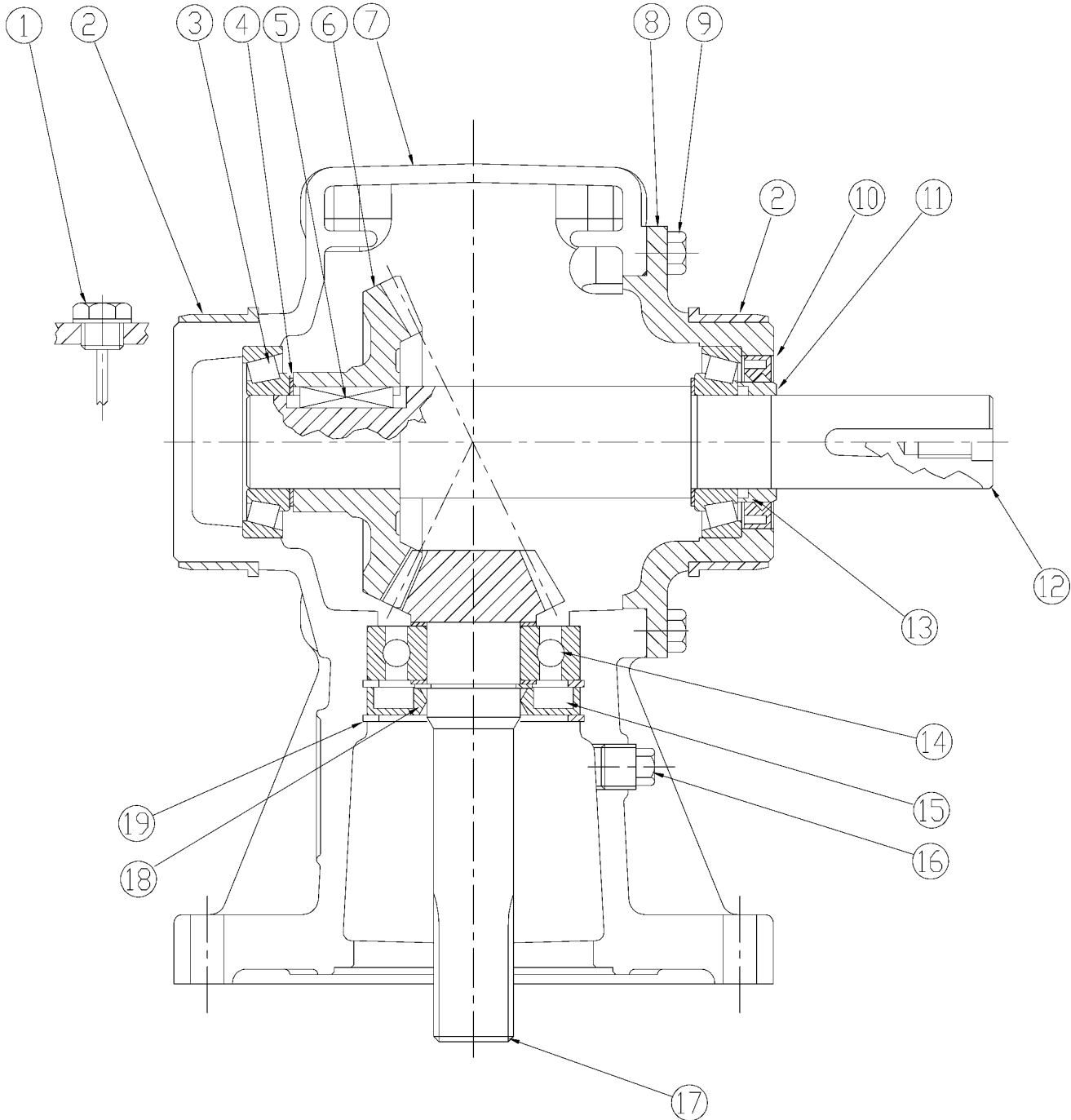
Cutter Unit (continued)

Applies to DM3605, DM3606, DM3607

This Page Intentionally Left Blank

Gearbox 826-329C

Applies to DM3605, DM3606, DM3607



21431

Gearbox 826-329C**Applies to DM3605, DM3606, DM3607**

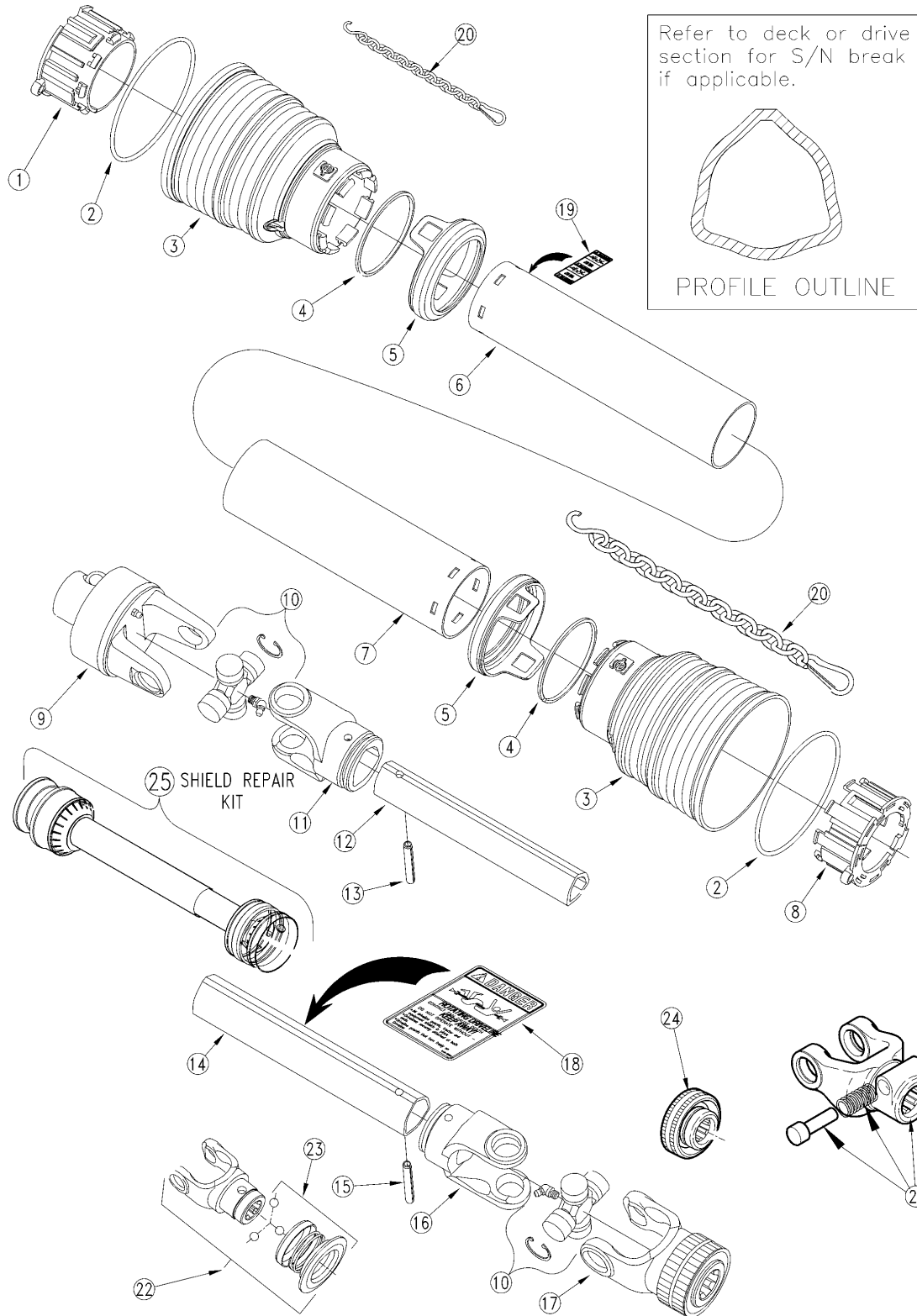
Ref	Part No.	Part Description	Comments	Revision
	dwg21431	Drawing Image Number		
1.	0.142.7101.00	CO 3/8GAS PLUG NOVENT W/DPSTCK		
2.	0.142.7103.00	CO BUSHING		
3.	822-167C	BEARING TAPER ROLLER 30207 SET		
4.	A.259.500	CO ADJUST SPACER KIT, 35.3 X48		
5.	8.4.1.01125	CO PAR. KEY B 10 X 8 X 35		
6.	0.142.5001.00	CO CROWN WHEEL Z33M3.75		
7.	0.194.0300.00	CO CASING		
8.	0.142.1301.00	CO COVER		
9.	8.1.1.01540	CO BOLT M10X22 8.8 DCRT320		
10.	8.7.1.00769	CO DOUBLE LIP SEAL 45X65X10		
11.	0.142.7100.00	CO BUSHING		
12.	0.142.2003.00	CO SHAFT		
13.	8.7.6.00954	CO O-RING 34.59 X 2.62		
14.	8.0.1.00644	CO BEARING 6307		
15.	8.7.3.00081	CO OIL SEAL 35 X 80 X 10 RTA35		
16.	8.6.5.00006	CO OIL PLUG 3/8		
17.	0.142.6000.00	CO PINION SHAFT Z16 M3.75		
18.	8.5.1.00005	CO SNAP RING EXT 35 UN17435		
19.	8.5.2.00030	CO SNAP RING 80 UNI 7437		

*

Notes: Oil Type 80-90W Capacity 6.5 Pints

Driveline (826-172C)

Applies to DM3606, DM3607



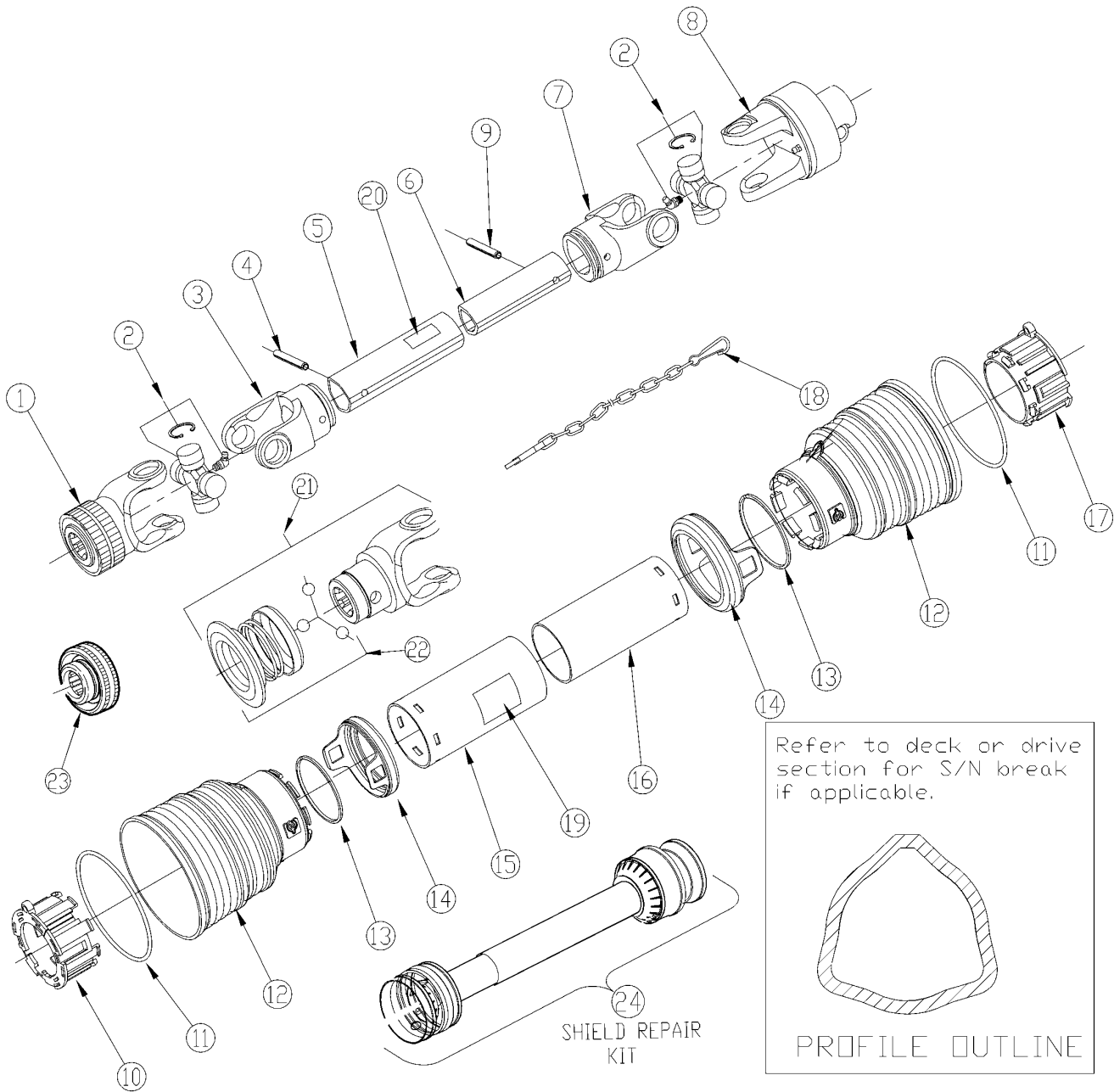
16913

Driveline (826-172C)**Applies to DM3606, DM3607**

Ref	Part No.	Part Description	Comments	Revision
	dwg16913	Drawing Image Number		
	826-172C	DRIVELINE DISC MOWER	Used on DM3606 & DM3607	
1.	1785711	EC TUBE BEARING (INNER TUBE)		
2.	1215733	EC STIFFENING RING		
3.	1885703	EC STANDARD CONE		
4.	1215735	EC STOP RING		
5.	1885709	EC SAFETY SLEEVE		
6.	1877046	EC INNER TUBE (1877094) 460MM		
7.	1876046	EC OUTER TUBE (1876094) 460MM		
8.	1785710	EC TUBE BEARING (OUTER TUBE)		
9.	1745226	EC FREE WHEEL CLUTCH IMP. END		
10.	1005020	EC CROSS ASSEMBLY		
11.	1705029	EC INNER TUBE YOKE		
12.	1526056	EC INNER TUBE (1526084) 560MM		
13.	6331065	EC 10X65-DIN-1485 ROLL PIN		
14.	1527056	EC 560MM OUT. STOCK LENGTH TB.		
15.	6331075	EC 10X75-DIN-1485 ROLL PIN		
16.	1705027	EC OUTER TUBE YOKE		
17.	1015010	EC YOKE ASSY. (TRACTOR END)		
18.	818-552C	DECAL DANGER PTO DRIVELINE		
19.	818-540C	DECAL DANGER GUARD MISS PTO		
20.	44321	DRIVELINE SHIELD SAFETY CHAIN		
21.	1025010	EC YOKE ASSEMBLY (TRACTOR END)		
22.	1015012	EC YOKE ASSEMBLY		
23.	1004225	EC PULL COLLAR KIT		
24.	1015010	EC YOKE ASSY. (TRACTOR END)		
25.	826-559C	SHIELD KIT, 826-172C		

Driveline (826-355C)

Applies to DM3605

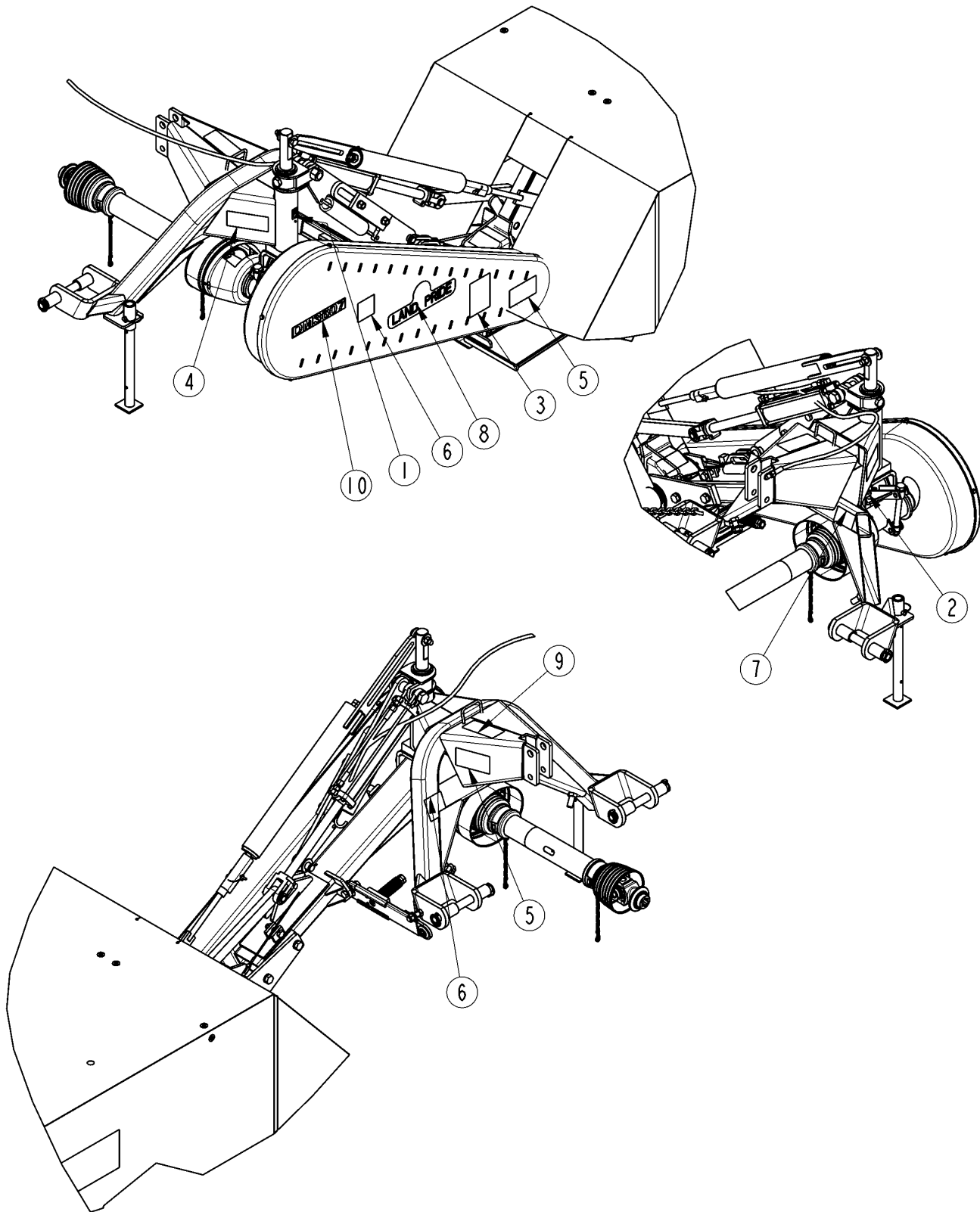


Driveline (826-355C)**Applies to DM3605**

Ref	Part No.	Part Description	Comments	Revision
	dwg21377	Drawing Image Number		
	826-355C	DRIVELINE DISC MOWER DM36	Used on DM3606 only	
1.	1015010	EC YOKE ASSY. (TRACTOR END)		
2.	1005020	EC CROSS ASSEMBLY		
3.	1705027	EC OUTER TUBE YOKE		
4.	6331075	EC 10X75-DIN-1485 ROLL PIN		
5.	1527047	EC OUTER TUBE (1527056) 470MM		
6.	1526047	EC INNER TUBE (1526084) 470MM		
7.	1705029	EC INNER TUBE YOKE		
8.	1745226	EC FREE WHEEL CLUTCH IMP. END		
9.	6331065	EC 10X65-DIN-1485 ROLL PIN		
10.	1785710	EC TUBE BEARING (OUTER TUBE)		
11.	1215733	EC STIFFENING RING		
12.	1885703	EC STANDARD CONE		
13.	1215735	EC STOP RING		
14.	1885709	EC SAFETY SLEEVE		
15.	1876037	EC OUTER TUBE (1876046) 370MM		
16.	1877037	EC INNER TUBE (1877046) 370MM		
17.	1785711	EC TUBE BEARING (INNER TUBE)		
18.	44321	DRIVELINE SHIELD SAFETY CHAIN		
19.	818-552C	DECAL DANGER PTO DRIVELINE		
20.	818-540C	DECAL DANGER GUARD MISS PTO		
21.	1015012	EC YOKE ASSEMBLY		
22.	1004225	EC PULL COLLAR KIT		
23.	1015010	EC YOKE ASSY. (TRACTOR END)		
24.	826-560C	SHIELD KIT, 826-355C		

Label Placement

Applies to DM3605, DM3606, DM3607



22487

Label Placement

Applies to DM3605, DM3606, DM3607

Ref	Part No.	Part Description	Comments	Revision
	dwg22487	Drawing Image Number		
1.	818-138C	DECAL GREASE EVERY 25 HOURS		
2.	818-298C	DECAL GREASE 25HRS BLACK/WHITE		
3.	818-558C	DECAL WARNING GEN SAFE MOWER		
4.	818-626C	DECAL DANGER CRUSHING HAZARD		
5.	818-641C	DECAL DANGER ROTATE BLADE DM35		
6.	818-642C	DECAL DANGER THROWN OBJ DM35		
7.	818-801C	DECAL IMPORT. LEVEL DRIVELINE		
8.	818-891C	DECAL LP W/TREE 13.25"-2 COLOR		
9.	838-094C	DECAL WARNING HYD PRESS LONG		
10.	838-431C	DECAL DM3607 BEIGE		
10.	838-429C	DECAL DM3605 BEIGE		
10.	838-430C	DECAL DM3606 BEIG		



Part Number Index

The Part Number Index is a numeric index of all part numbers included in this manual. The index shows what page(s) the part is used on.

Part Number	Page	Part Number	Page	Part Number	Page	Part Number	Page
0.142.1301.0021	2A013211	8.1.2.0213017	804-029C7
0.142.2003.0021	2A025011	8.1.2.0250017	804-159C15
0.142.5001.0021	2A028011	8.1.8.0248917	804-186C9
0.142.6000.0021	2A042211	8.2.1.0098517	804-187C7
0.142.7100.0021	2A045211	8.2.1.0152817	805-004C7, 11
0.142.7101.0021	2M341811	8.2.1.0153317	805-058C15
0.142.7103.007, 21	311-014H9	8.3.0.0135317	805-065C7, 9
0.194.0300.0021	327-001H7	8.3.7.0226417	805-103C9
0.404.7101.0017	327-002H9	8.4.1.0112521	805-143C15
0.404.7107.0017	327-003H9	8.5.1.0000521	805-154C15
0.404.7108.0017	327-004H15	8.5.1.0068017	805-246C7
0.404.7112.0017	327-005H7	8.5.2.0003017, 21	807-016C7
0.404.7131.0017	327-007D7	8.5.2.0013117	807-134C7
0.404.7135.0017	327-008D13	8.6.5.0000621	808-322C13
0.404.7137.0017	327-009H13	8.7.1.0076921	808-358C13
0.404.7154.0017	327-011H15	8.7.3.0008121	810-177C11
0.404.7155.0017	327-013H9	8.7.6.0058817	810-260C7
0.404.7156.0017	327-015H9	8.7.6.0095421	811-337C7
0.420.7046.0017	327-016H9	8.7.6.0118817	811-558C7
0.420.7101.0017	327-021H15	800-080C9	812-031C7
0.535.7000.0017	327-022H7	800-163C13	815-132C13
0.536.6000.0017	327-024H9	801-035C13	816-376C13
0.536.6001.0017	327-028H15	802-004C13	817-461C13
0.536.6002.0017	327-029H15	802-010C13	817-462C13
0.536.6003.0017	327-035H15	802-015C15	817-468C15
0.536.7001.0017	327-036H15	802-017C13	818-138C27
0.536.7002.0017	327-040H15	802-023C11	818-298C27
0.536.7003.0017	327-041H15	802-024C15	818-540C23, 25
0.536.7004.0017	327-050D9	802-034C15	818-552C23, 25
0.536.7005.0017	327-051H7	802-041C15	818-558C27
0.536.7100.0017	327-052H7	802-058C7, 9	818-626C27
0.536.7101.0017	327-053K7	802-074C7	818-641C27
0.536.7103.0017	327-054D7	802-114C15	818-642C27
0.536.7104.0017	327-055D7	802-128C15	818-801C27
0.536.7105.0017	327-056D7	802-184C7	818-891C27
0.536.7107.0017	327-057D7	802-204C9	822-100C13
100422523, 25	327-082D15	802-394C7	822-167C21
100502023, 25	327-088D15, 18	802-473C13	826-172C13, 23
101501023, 25	327-089D15	802-701C9, 13	826-240C13
101501223, 25	327-090D15	802-702C15, 18	826-329C7, 13, 18
102501023	327-092D15	802-703C7	826-355C13, 25
121573323, 25	327-095D13	802-704C15, 18	826-559C23
121573523, 25	327-096D13	802-706C9, 13	826-560C25
152604725	327-100D7	802-708C18	838-094C27
152605623	327-101D9	803-020C15	838-429C27
152704725	327-102D9	803-021C7, 9	838-430C27
152705623	327-105D9	803-024C7	838-431C27
170502723, 25	327-106D9	803-027C7, 9, 13	890-182C9
170502923, 25	327-118D15	803-036C15	890-337C7
174522623, 25	327-119D7	803-038C7	890-589C7
178571023, 25	327-120D7	803-048C7, 9, 13	890-647C17
178571123, 25	327-145D9	803-078C15	890-656C17
187603725	327-146D7	803-099C9, 13	890-755C15
187604623	327-181D7	803-147C15	890-769C18
187703725	3R041011	803-299C9	890-770C18
187704623	4432123, 25	803-311C18	890-772C17
188570323, 25	4B136SK13	804-006C13	890-775C15
188570923, 25	4M310811	804-007C13	890-776C15
1M601011	5M312011	804-009C13	890-777C15
2.535.0300.0017	633106523, 25	804-010C13	9.535.500.0018
2.535.7100.0018	633107523, 25	804-011C13	A.259.50021
2.536.0300.0017	6R0152-ADI11	804-012C15	dwg1691323
2.536.1701.0017	6R015811	804-013C13	dwg2133215
2.536.7106.0017	7M332011	804-015C15	dwg2137725
2.537.0300.0017	8.0.1.0064421	804-016C15	dwg2143121
2.537.7100.0017	8.0.1.0118417	804-019C7	dwg2221117
2A001211	8.0.1.0191817	804-021C9	dwg224669
2A001911	8.0.4.0185217	804-022C7, 9	dwg224677
2A003811	8.1.1.0154021	804-023C7	dwg2247213
2A004811	8.1.2.0152717	804-025C9, 13	dwg2247611



Part Number Index (continued)

<u>Part Number</u>	<u>Page</u>
dwg22487	27
N/A	15, 17
SK-X-1-375	13



Great Plains Manufacturing, Inc.

Corporate Office: P.O. Box 5060
Salina, Kansas 67402-5060 USA

www.landpride.com
