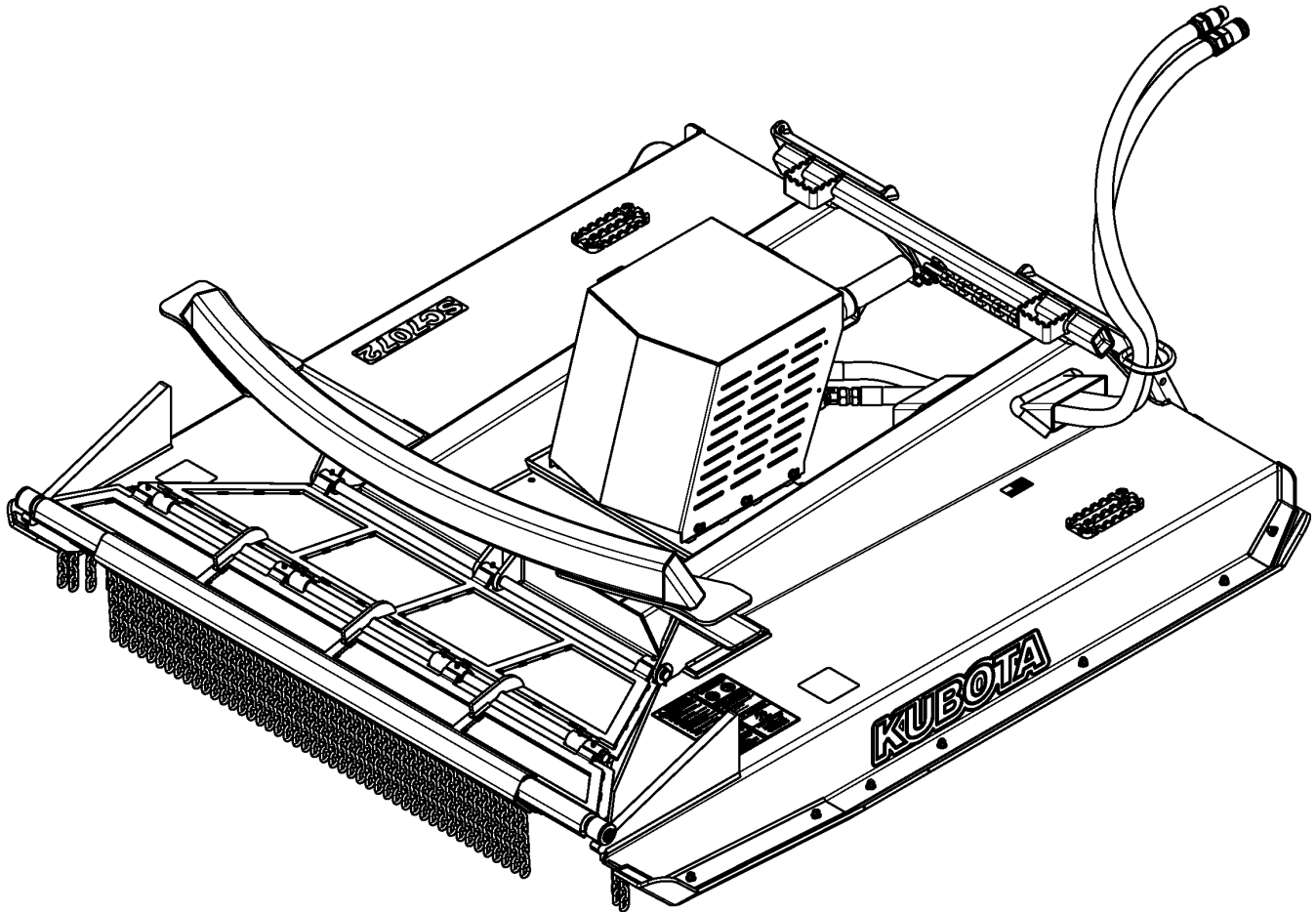


Skid Cutter

AP-SC7072



70429

326-974PK
Parts Manual

Kubota®



Read the Operator's Manual entirely. When you see this symbol, the subsequent instructions and warnings are serious - follow without exception. Your life and the lives of others depend on it!

© Copyright 2018 Printed 03/16/18

Cover photo may show optional equipment not supplied with standard unit.



Table of Contents

Section 1: Introduction.....	4
Using This Manual.....	4
Manual Replacement Information.....	4
Manual Revisions.....	4
Touch-up Paint.....	4
Hardware Legend.....	5
Replacement Hardware.....	5
Serial Numbers.....	5
Part Number Service Coding.....	5
Section 2: Skid Cutter Assembly.....	6
Blade Drive.....	6
Chain Guards Front & Bi-fold Door Assembly.....	8
Chain Guards Front Corners.....	10
Chain Guards Rear.....	12
Deck & Components.....	14
Section 3: Hydraulics.....	16
Hydraulic Motor Eaton (850-318C) 26-43 GPM.....	16
Motor & Hose Assembly.....	18
Section 4: Options & Accessories.....	20
Case Drain Bundle.....	20
Pressure Gauge Bundle.....	22
Section 5: Decals.....	24
Decals.....	24
Kubota Touch-up Paints.....	26
Part Number Index.....	28

© Copyright 2018. All rights reserved.

Kubota provides this publication “as is” without warranty of any kind, either expressed or implied. While every precaution has been taken in the preparation of this manual, Kubota assumes no responsibility for errors or omissions. Neither is any liability assumed for damages resulting from the use of the information contained herein. Kubota reserves the right to revise and improve its products as it sees fit. This publication describes the state of this product at the time of its publication, and may not reflect the product in the future. The illustrations in this manual are not intended for safe and proper assembly or disassembly of equipment. The illustrations are intended for ordering parts only.

Kubota is registered trademark.

All other brands and product names are trademarks or registered trademarks of their respective holders.

Printed in the United States of America.



Alphabetized Table of Contents

B	
Blade Drive.....	6
C	
Case Drain Bundle.....	20
Chain Guards Front & Bi-fold Door Assembly.....	8
Chain Guards Front Corners.....	10
Chain Guards Rear.....	12
D	
Decals.....	24
Deck & Components.....	14
H	
Hydraulic Motor Eaton (850-318C) 26-43 GPM.....	16
K	
Kubota Touch-up Paints.....	26
M	
Motor & Hose Assembly.....	18
P	
Pressure Gauge Bundle.....	22

General Information

Using This Manual

This manual is divided into sections. The first section contains General Information. The remaining sections divide the machine into segments (i.e. Frames, Drives, Hydraulics, etc.) which illustrate and list all parts. A Parts Number Index is located at the back of the book.

The Kubota parts in this manual are specially designed for this machine and should be replaced with Kubota parts only.

The information in this manual is current at time of printing. Some parts may change to assure top performance.

Right-hand and left-hand as used in this manual are determined by facing the direction the machine will travel while in use.

Below is an example of two facing pages from a parts manual. Familiarize yourself with the type of information contained on these pages.

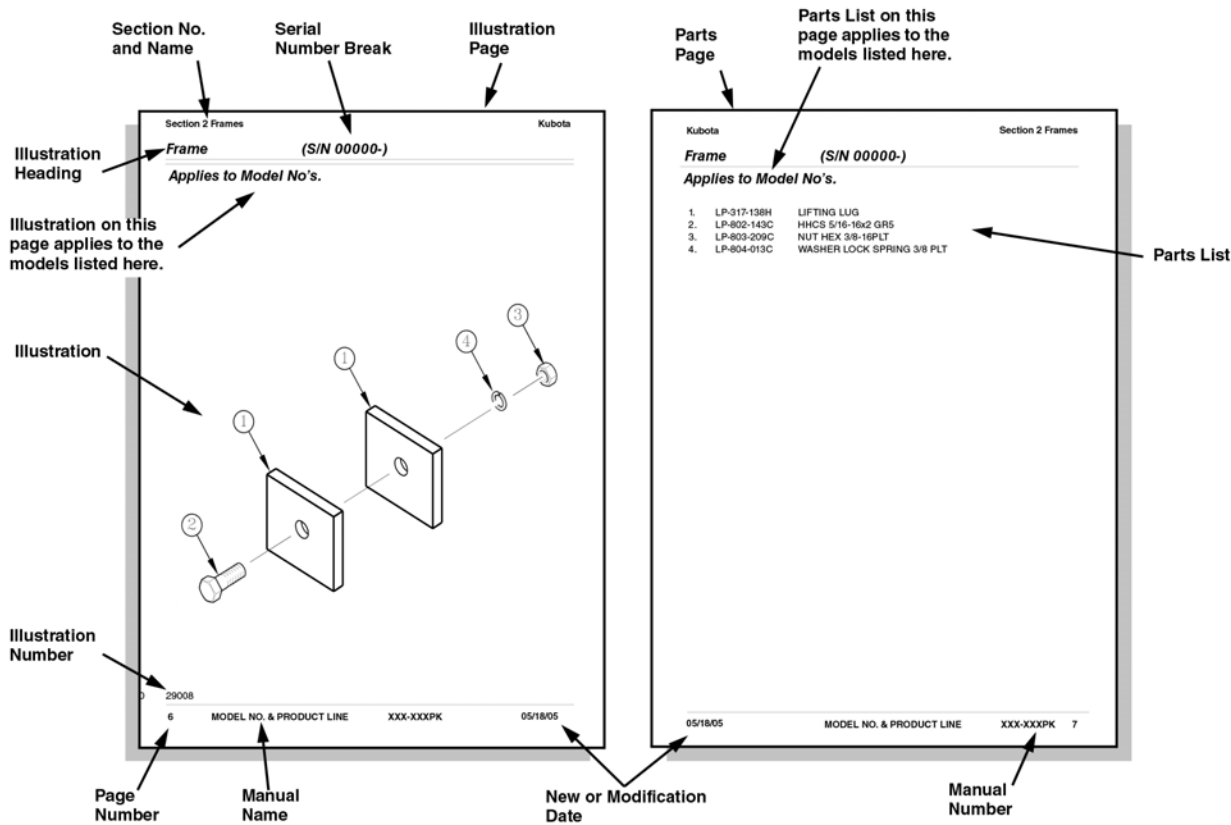
Manual Replacement Information

Replacement manuals are available. Refer to our website at www.landpride.com for additional information. Our website continues to provide the most up-to-date manuals available.

Touch-up Paint

Repaint parts where paint is worn or scratched to prevent rust. Kubota touch-up paints are available through your local Kubota dealer. Part numbers and color descriptions are listed below.

Part No.	Part Description
821-070C	GP Gloss black enamel spray can
821-070CTU	GP Gloss black enamel bottle with brush
821-070CQT	GP Gloss black enamel quart
821-070CGL	GP Gloss black enamel gallon



General Information

Hardware Legend

AR	As Required
BLADE	Blade Bolt
C	Cap Screw
CP	Cotter Pin
CPHSSS	Cup Point Hex Socket Set Screw
CPSHSS	Cup Point Square Head Set Screw
CPSQHSS	Cup Point Square Head Set Screw
CRFCHMS3	Cross Recess Flat Countersunk Head Machine Screw
CRPHMS	Cross Recess Pan Head Machine Screw
CRPHTFS	Cross Recess Pan Head Thread Forming
CRRHMS	Cross Recess Round Head Machine Screw
CRTHMS	Cross Recess Truss Head Machine Screw
CSNB	Countersunk Square Neck Bolt
FHMS	Flat Head Machine Screw
FTC	Full Thread Cap Screw
H	Hex Nut
HCLN	Hex Center Lock Nut
HFLCS	Hex Flange Lock Cap Screw
HFS	Hex Flange Screw
HFSLN	Hex Flange Serrated Lock Nut
HFSS	Hex Flange Serrated Screw
HHCS	Hex Head Cap Screw or Metric Bolt
HSBHCS	Hex Socket Button Head Cap Screw
HSFCHCS	Hex Socket Flat Countersunk Head Cap Screw
HSHCS	Hex Socket Head Cap Screw
HSSS	Hex Socket Head Screw
HTLN	Hex Top Lock Nut
HWHCS	Hex Washer Head Cap Screw

HWHMS	Hex Washer Head Machine Screw
HXBHCS	Hex Socket Button Head Cap Screw
J	Hex Jam Nut
JIC	37 Degree Tapered Thread
L	Helical Spring Lock Washer
LUG	Lug Bolt
NFC	National Fine Cap Screw
NPSM	National Pipe Straight Mechanical
NPTF	National Pipe Taper Fuel
P	Wide Plain Washer
PHMS	Pan Head Machine Screw
PLOW	Plow Bolt
RHMS	Round Head Machine Screw
RHSNB	Round Head Square Neck Bolt
SCREW LEVELING	Leveling Screw
SCREW THUMB	Thumb Screw
SCREW WELD	Weld Screw
SFCHMS	Slotted Flat Countersunk Head Machine Screw
SFHMS	Slotted Fillister Head Machine Screw
SP	Special
SP SCREW	Special Screw
SQHSS	Square Head Set Screw
SRHMS	Slotted Round Head Machine Screw
SSS	Socket Set Screw
STCS	Self Tapping Cap Screw
STHMS	Slotted Truss Head Machine Screw
WHEEL	Wheel Studs and Hub Long Bolts
WING	Wing Bolt

Replacement Hardware

The **Hardware Legend** above lists hardware abbreviations used in the parts list. All bolts and nuts are Grade 5 unless otherwise noted. The use of improper grades of hardware can result in personal injury, damage to equipment, or loss of property.

Part Number Service Coding

Within the parts list some part numbers are coded for revisions and interchangeability. See notations in revision column.

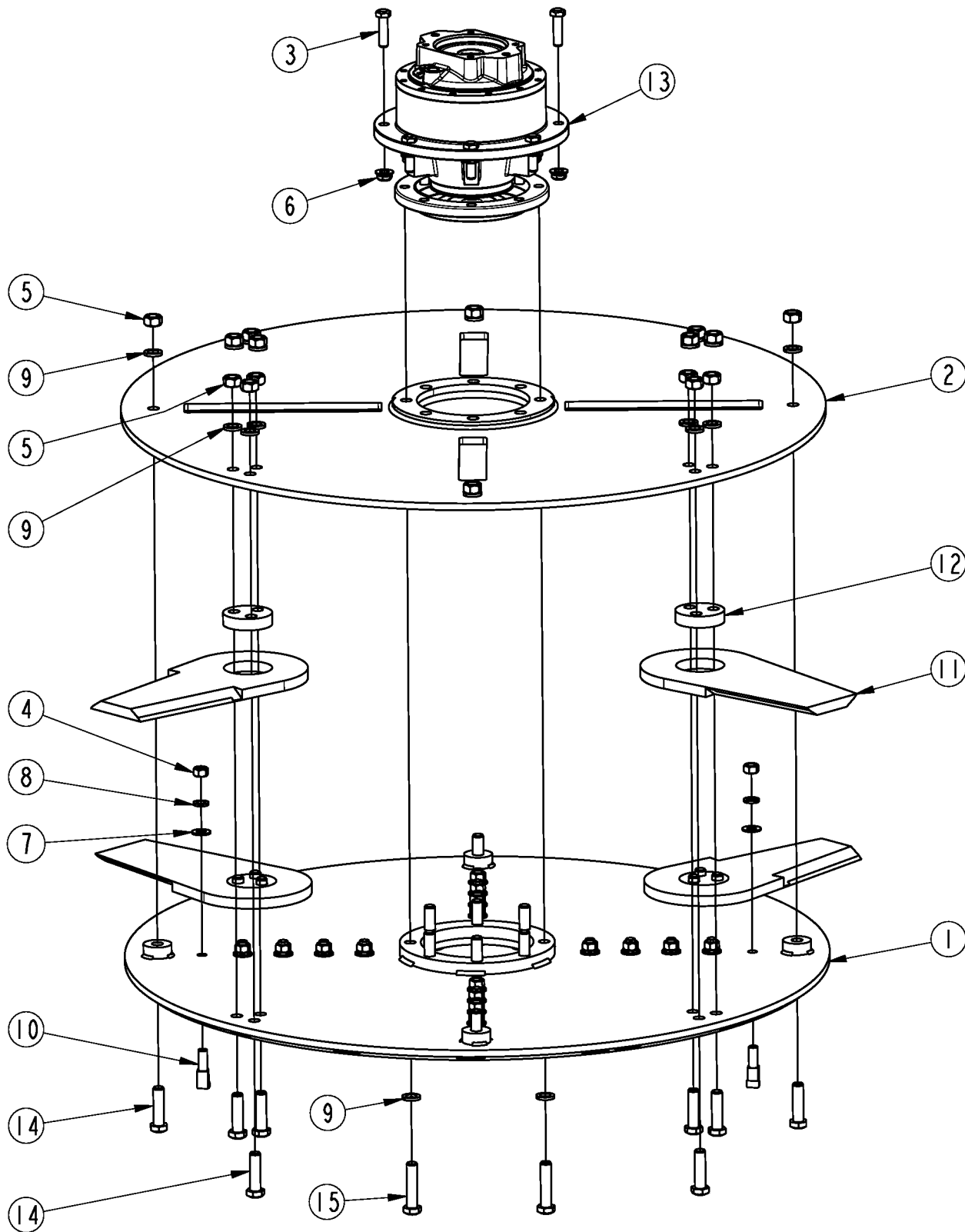
Serial Numbers

Always use the serial and model number when ordering parts. Refer to the Operator's Manual for serial number plate location.

- (S/N 20001+) Includes serial numbers 20001 and above (to the latest number)
- (S/N 10001 to 20000) Includes serial numbers between and including 10001 and 20000
- (S/N 10000-) Includes serial numbers 10000 and below (to the earliest number)

Blade Drive

Applies to AP-SC7072



70430

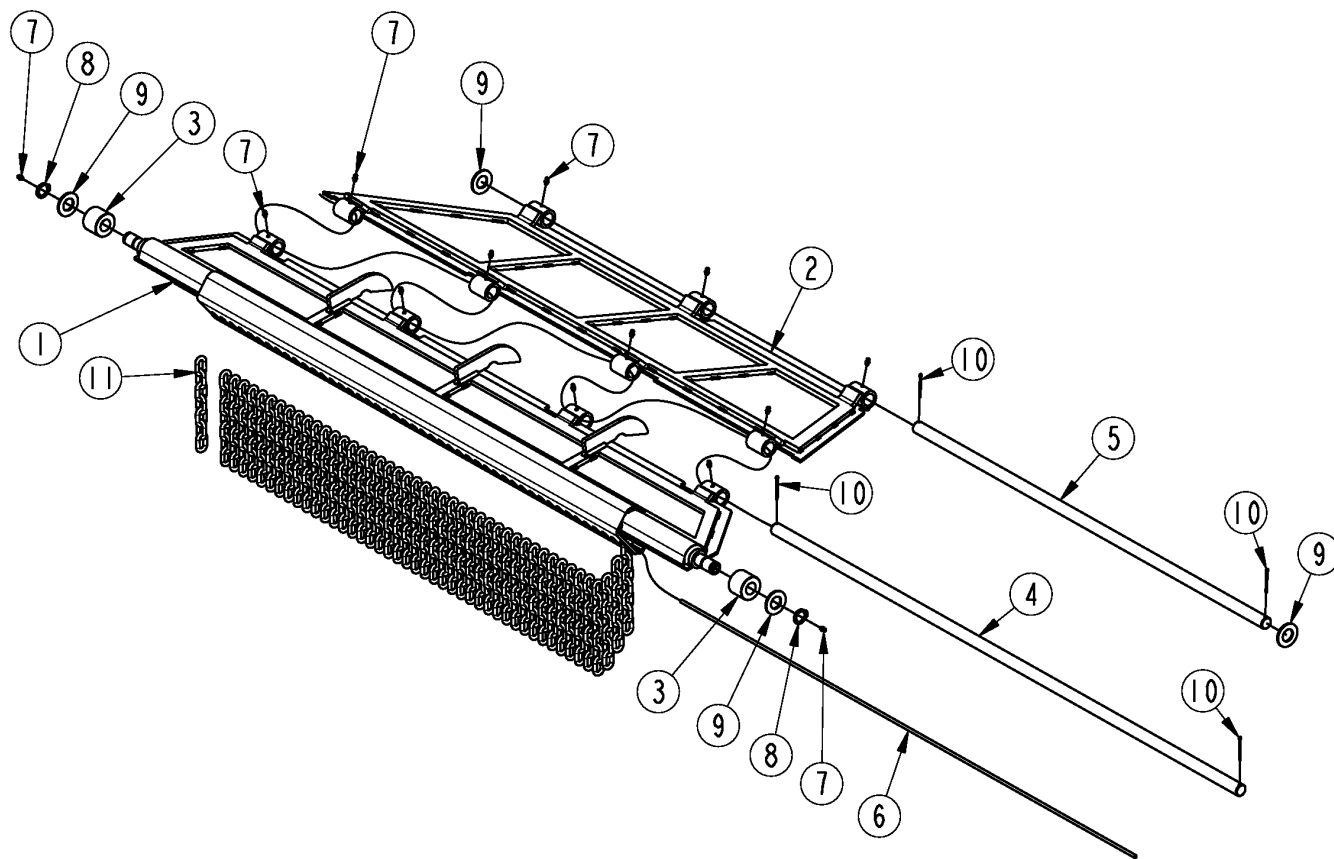
Blade Drive

Applies to AP-SC7072

Ref	Part No.	Part Description	Comments	Revision
	Dwg 70430	Image No.		
1.	326-915H	LOWER HALF WHEEL		
2.	326-916H	UPPER HALF WHEEL		
3.	802-057C	HHCS 5/8-11X2 1/4 GR5		
4.	803-022C	NUT HEX 5/8-18 PLT		
5.	803-027C	NUT HEX 3/4-10 PLT		
6.	803-263C	NUT HEX FLANGE LOCK 5/8-11 PLT		
7.	804-021C	WASHER FLAT 5/8 SAE PLT		
8.	804-022C	WASHER LOCK SPRING 5/8 PLT		
9.	804-023C	WASHER LOCK SPRING 3/4 PLT		
10.	820-491C	CARBIDE POINT 3/4SQ.		
11.	820-676C	CUTTER BLADE SC70		
12.	820-677C	CUTTER BLADE RETAINER SC70		
13.	826-846C	GEARBOX INLINE 1:1 SAE C 17T		
14.	842-437C	HHCS 3/4-10X2 3/4 GR8 PLT		
15.	842-452C	HHCS 3/4-10X3 1/4 GR8 PLT NYL		

Chain Guards Front & Bi-fold Door Assembly

Applies to AP-SC7072



70432

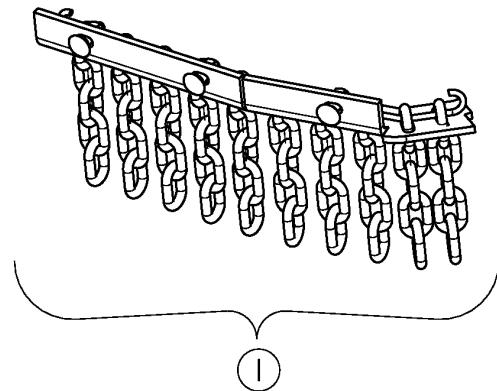
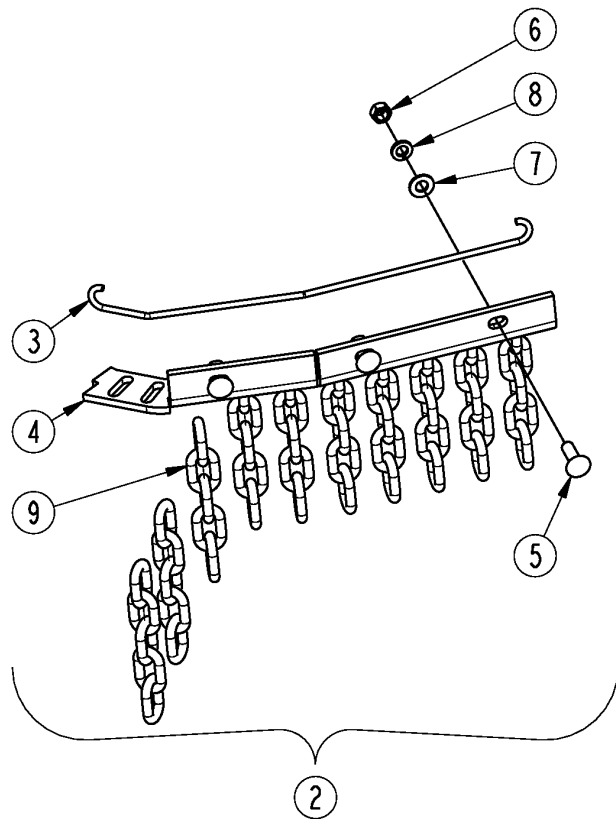
Chain Guards Front & Bi-fold Door Assembly

Applies to AP-SC7072

Ref	Part No.	Part Description	Comments	Revision
	Dwg 70432	Image No.		
1.	326-911H	DOOR FRT		
2.	326-912H	DOOR REAR		
3.	327-617D	DOOR BEARING		
4.	327-618D	CENTER PIN		
5.	327-619D	REAR PIN		
6.	330-305D	ROUND ROD 1/4 X 58		
7.	800-001C	GREASE ZERK STRAIGHT 1/4-28		
8.	800-521C	SNAP RETAINING RING HD 63/64		
9.	804-029C	WASHER FLAT 1 SAE		
10.	805-096C	PIN COTTER 1/8 X 1 3/4 PLT		
11.	890-393C	CHAIN WELD 5/16 GR 43 X 7-LINK		

Chain Guards Front Corners

Applies to AP-SC7072



70517

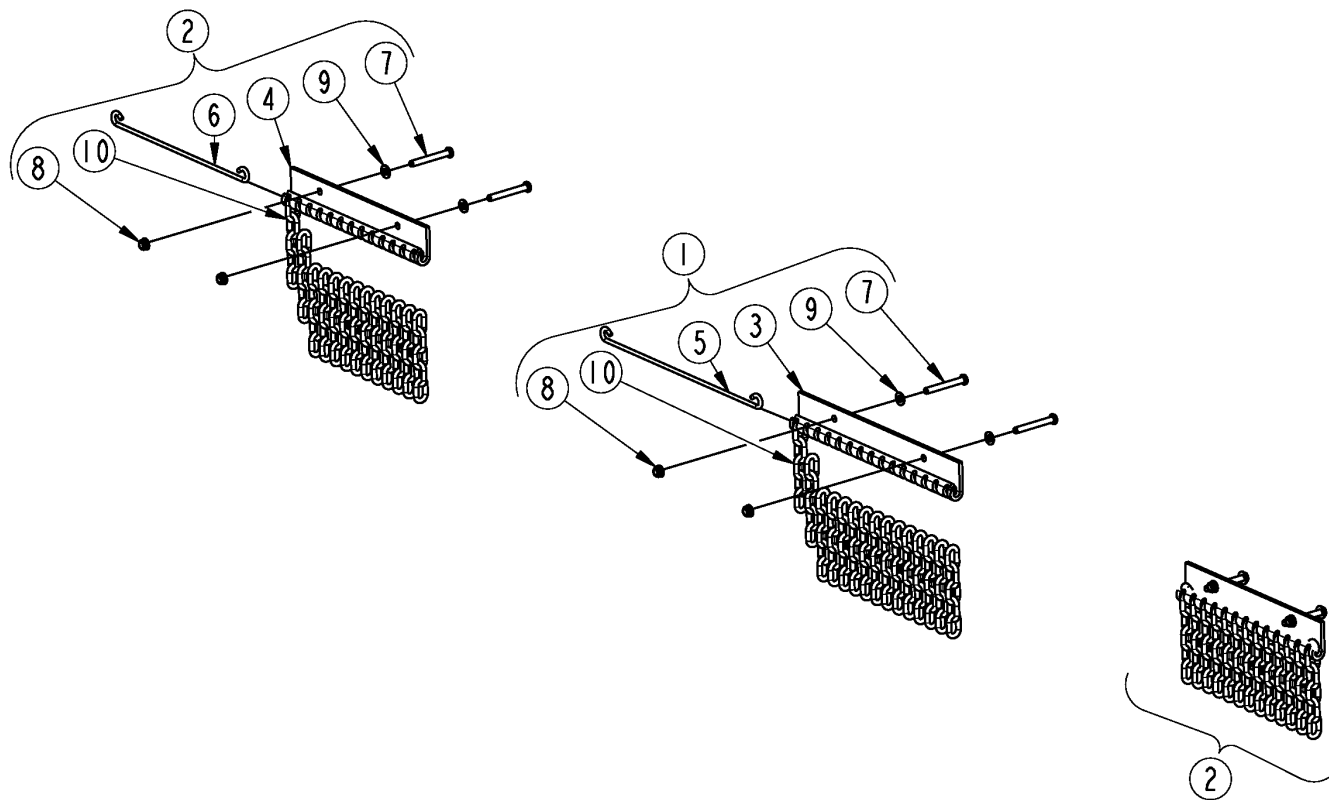
Chain Guards Front Corners

Applies to AP-SC7072

Ref	Part No.	Part Description	Comments	Revision
	Dwg 70517	Image No.		
1.	326-994K	FRONT GUARD RH		
2.	326-995K	FRONT GUARD LH		
3.	327-681D	CHAIN RETAINER		
4.	327-753D	CHAIN RETAINER CORNER RH	Right hand side	
4.	327-752D	CHAIN RETAINER CORNER LH	Left hand side	
5.	802-155C	RHSNB 3/8-16X1 1/4 GR5		
6.	803-014C	NUT HEX 3/8-16 PLT		
7.	804-012C	WASHER FLAT 3/8 SAE PLT		
8.	804-013C	WASHER LOCK SPRING 3/8 PLT		
9.	890-341C	CHAIN WELD 5/16 GR 43 X 5 LINK		

Chain Guards Rear

Applies to AP-SC7072



70433

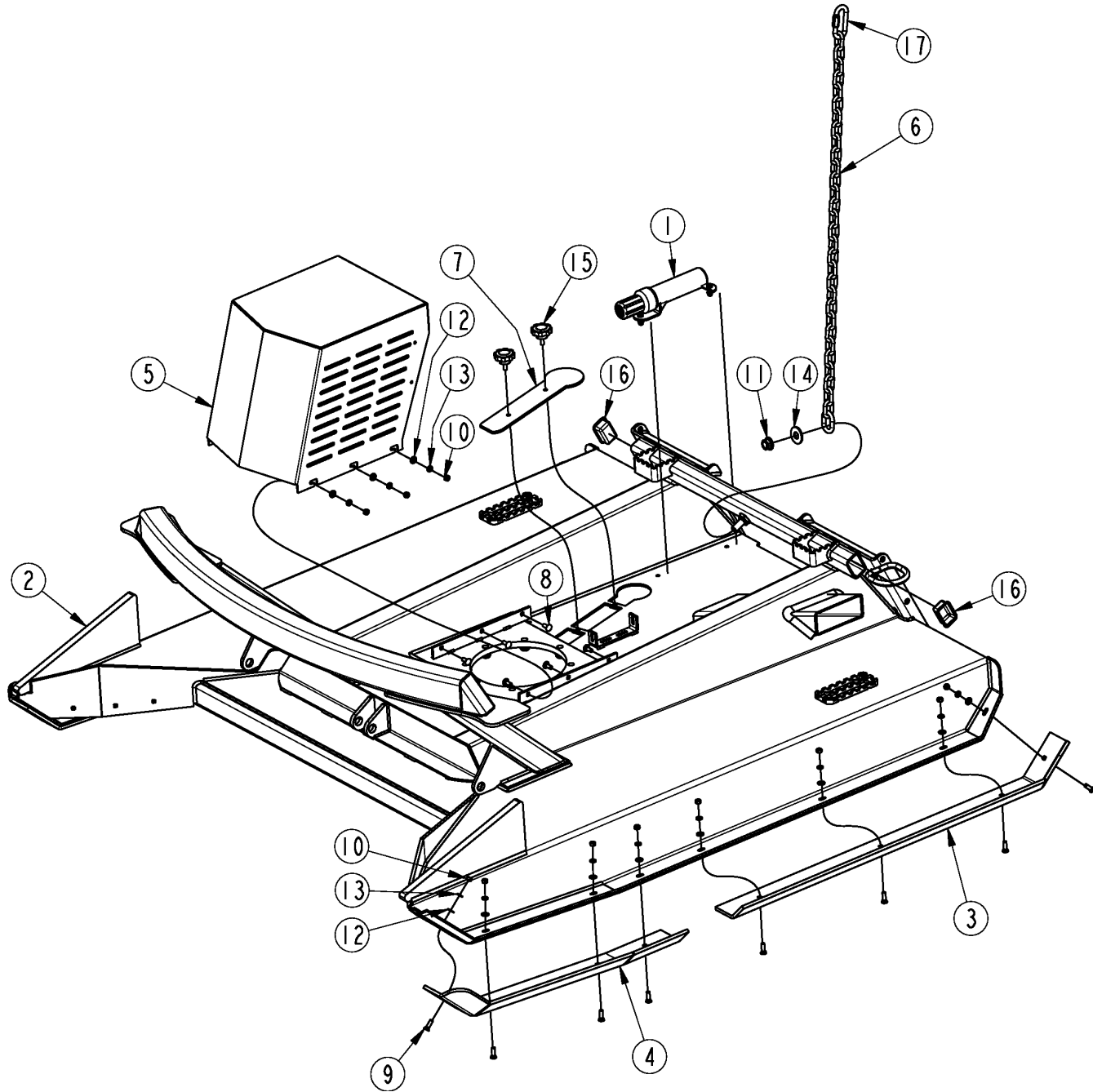
Chain Guards Rear

Applies to AP-SC7072

Ref	Part No.	Part Description	Comments	Revision
	Dwg 70433	Image No.		
1.	326-965K	CHAIN GUARD MID		
2.	326-966K	CHAIN GUARD OUT 72		
3.	327-668D	MID GUARD		
4.	327-670D	OUTER GUARD 72"		
5.	327-671D	ROUND ROD .25 X 19.02		
6.	327-673D	ROUND ROD .25 X 16.52		
7.	802-024C	HHCS 3/8-16X3 GR5		
8.	803-209C	NUT FLANGE LOCK 3/8-16 PLT		
9.	804-012C	WASHER FLAT 3/8 SAE PLT		
10.	890-341C	CHAIN WELD 5/16 GR 43 X 5 LINK		

Deck & Components

Applies to AP-SC7072



70431

Deck & Components

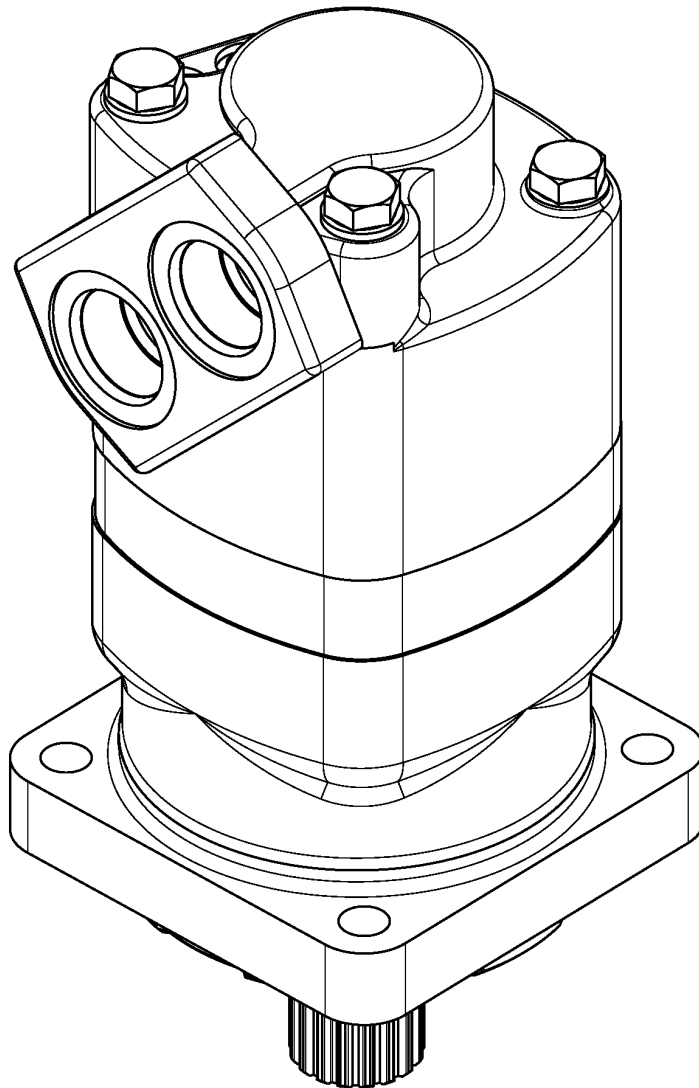
Applies to AP-SC7072

Ref	Part No.	Part Description	Comments	Revision
	Dwg 70431	Image No.		
1.	326-095S	MANUAL CONTAINER KIT, 1 1/4		
2.	326-875H	DECK		
3.	326-909H	SKID SHOE REAR LH		
4.	326-910H	SKID SHOE FRT LH		
5.	326-919H	MOTOR SHROUD SC70		
6.	327-206D	HEIGHT ADJ. CHAIN		
7.	327-611D	DECK ACCESS COVER		
8.	802-015C	RHSNB 3/8-16X1 GR5		
9.	802-466C	PLOW 3/8-16X1 1/4 GR5		
10.	803-014C	NUT HEX 3/8-16 PLT		
11.	803-181C	NUT HEX FLANGE LOCK 3/4-10 PLT		
12.	804-012C	WASHER FLAT 3/8 SAE PLT		
13.	804-013C	WASHER LOCK SPRING 3/8 PLT		
14.	804-024C	WASHER FLAT 3/4 USS PLT		
15.	817-358C	KNOB 3/8-16 MALE THD 2 3/8OD		
16.	817-387C	PLASTIC END CAP 3X2X3/16 WL TB		
17.	890-931C	QUICK LINK 1/2"		

Hydraulic Motor Eaton (850-318C) 26-43 GPM

Applies to AP-SC7072

NO PARTS AVAILABLE FOR THIS MOTOR AT THIS TIME



70435

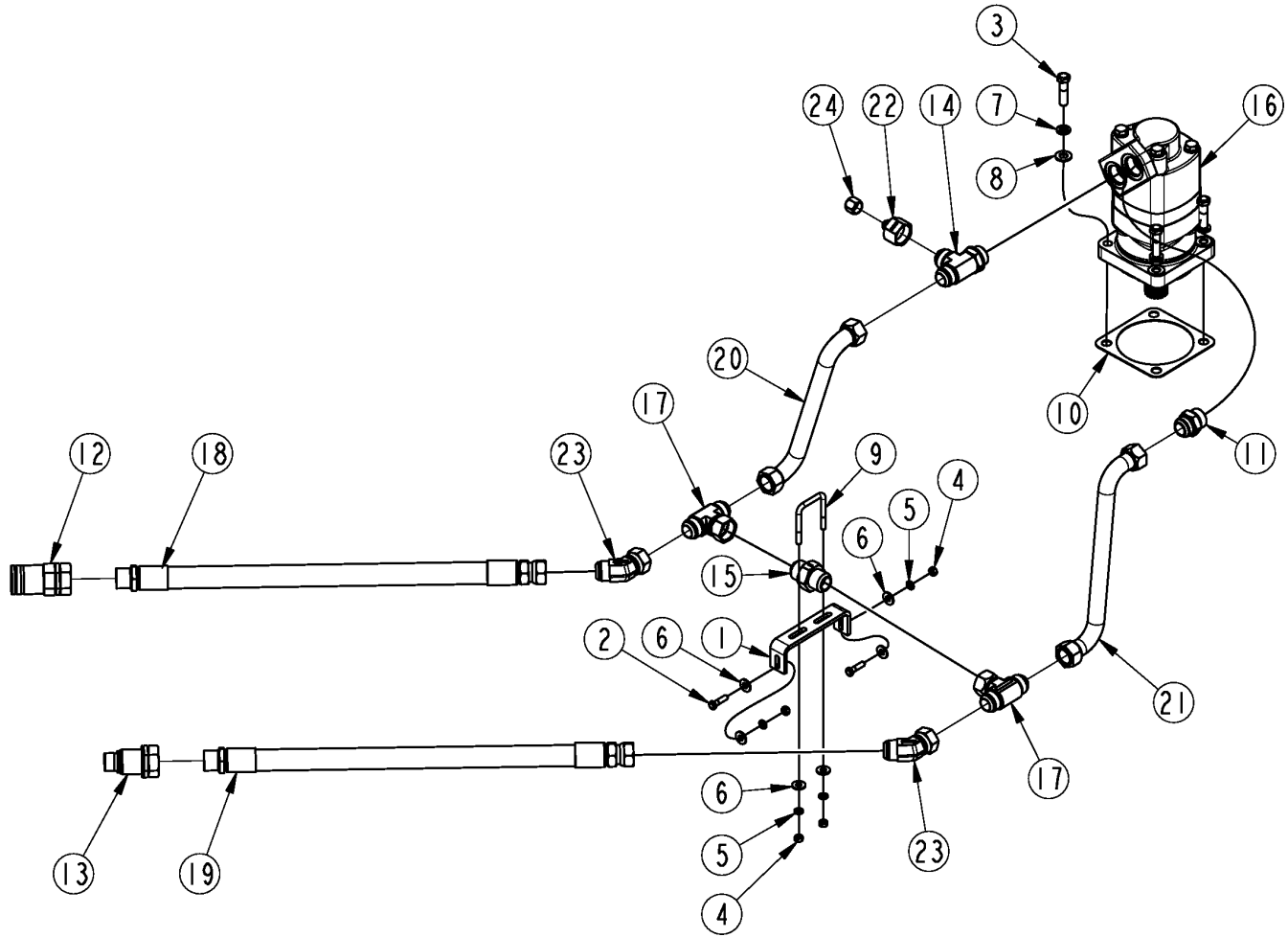
Hydraulic Motor Eaton (850-318C) 26-43 GPM

Applies to AP-SC7072

No Parts List associated with this diagram

Motor & Hose Assembly

Applies to AP-SC7072



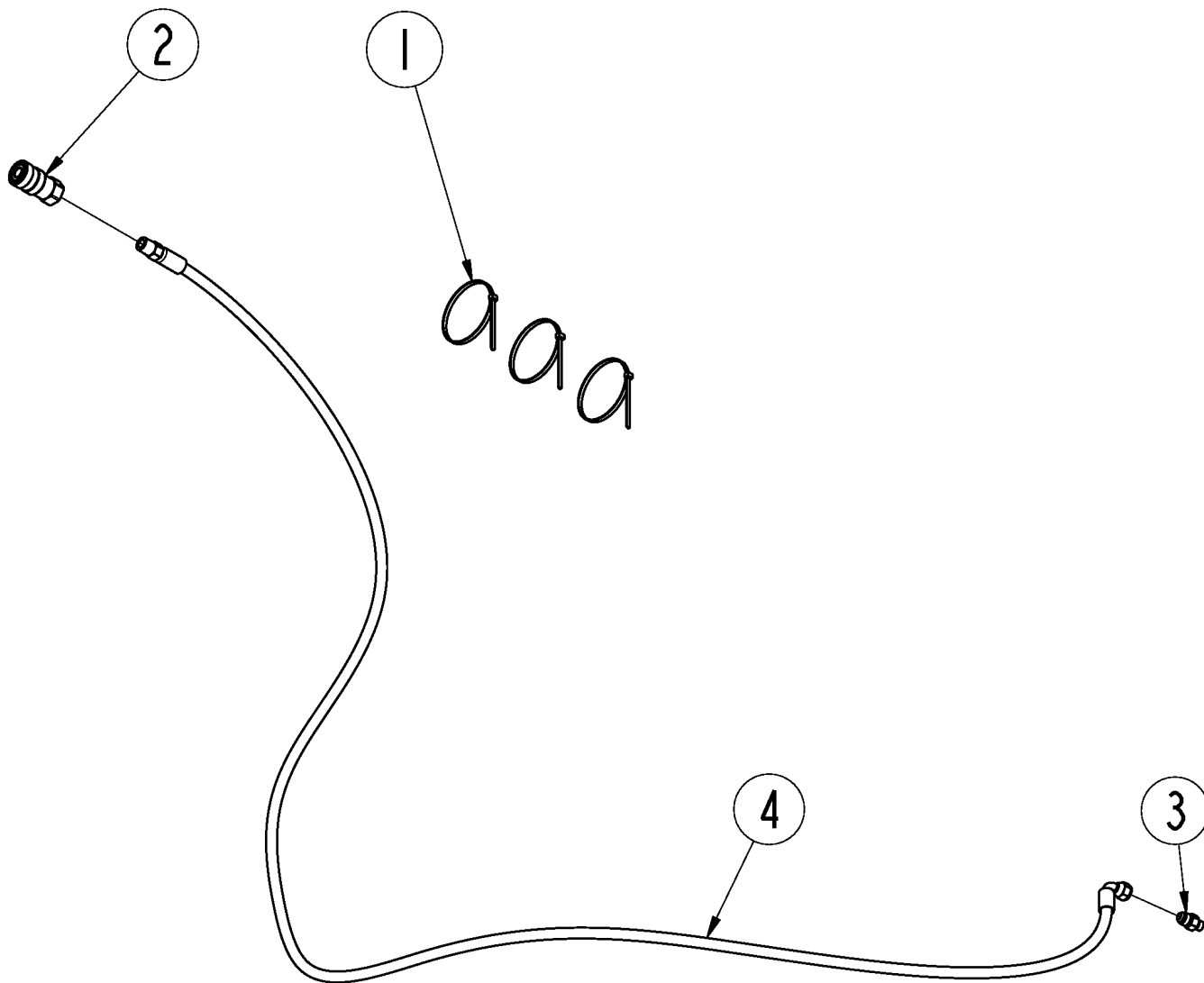
70434

Motor & Hose Assembly**Applies to AP-SC7072**

Ref	Part No.	Part Description	Comments	Revision
	Dwg 70434	Image No.		
1.	327-641D	HOSE CLAMP		
2.	802-010C	HHCS 5/16-18X1 1/4 GR5		
3.	802-128C	HHCS 1/2-13X2 GR5		
4.	803-008C	NUT HEX 5/16-18 PLT		
5.	804-009C	WASHER LOCK SPRING 5/16 PLT		
6.	804-010C	WASHER FLAT 5/16 USS PLT		
7.	804-015C	WASHER LOCK SPRING 1/2 PLT		
8.	804-016C	WASHER FLAT 1/2 SAE PLT		
9.	806-268C	U-BOLT 5/16-18X2 1/32X2 11/16		
10.	816-182C	GASKET - MOTOR		
11.	841-608C	AD 1 5/16MORB 1 5/16MJIC		
12.	841-957C	CP 1 5/16FORB FEMALE QD		
13.	841-958C	CP 1 5/16FORB MALE QD		
14.	841-961C	TEE 1.31MJIC 1.31MJIC 1.31MORB		
15.	850-314C	VALVE 1" IN-LINE CHECK		
16.	850-318C	HYD MOTOR 12 SAE C 1.31 17S		
17.	851-771C	TE 1 5/16MJIC(2) 1 5/16FJIC		
18.	861-245C	HH1R13 91.6 1.31FJIC 1.31MORB		
19.	861-246C	HH1R13 92.5 1.31FJIC 1.31MORB		
20.	861-281C	OFFSET FITTING 1.31FJIC 10.25"		
21.	861-282C	OFFSET FITTING 1.31FJIC 11.5"		
22.	861-284C	AD 1.31FJIC.75MJIC		
23.	861-285C	EL 45 1.31FJIC1.31MJIC		
24.	861-286C	CP 3/4FJIC		

Case Drain Bundle

Applies to AP-SC7072



70004

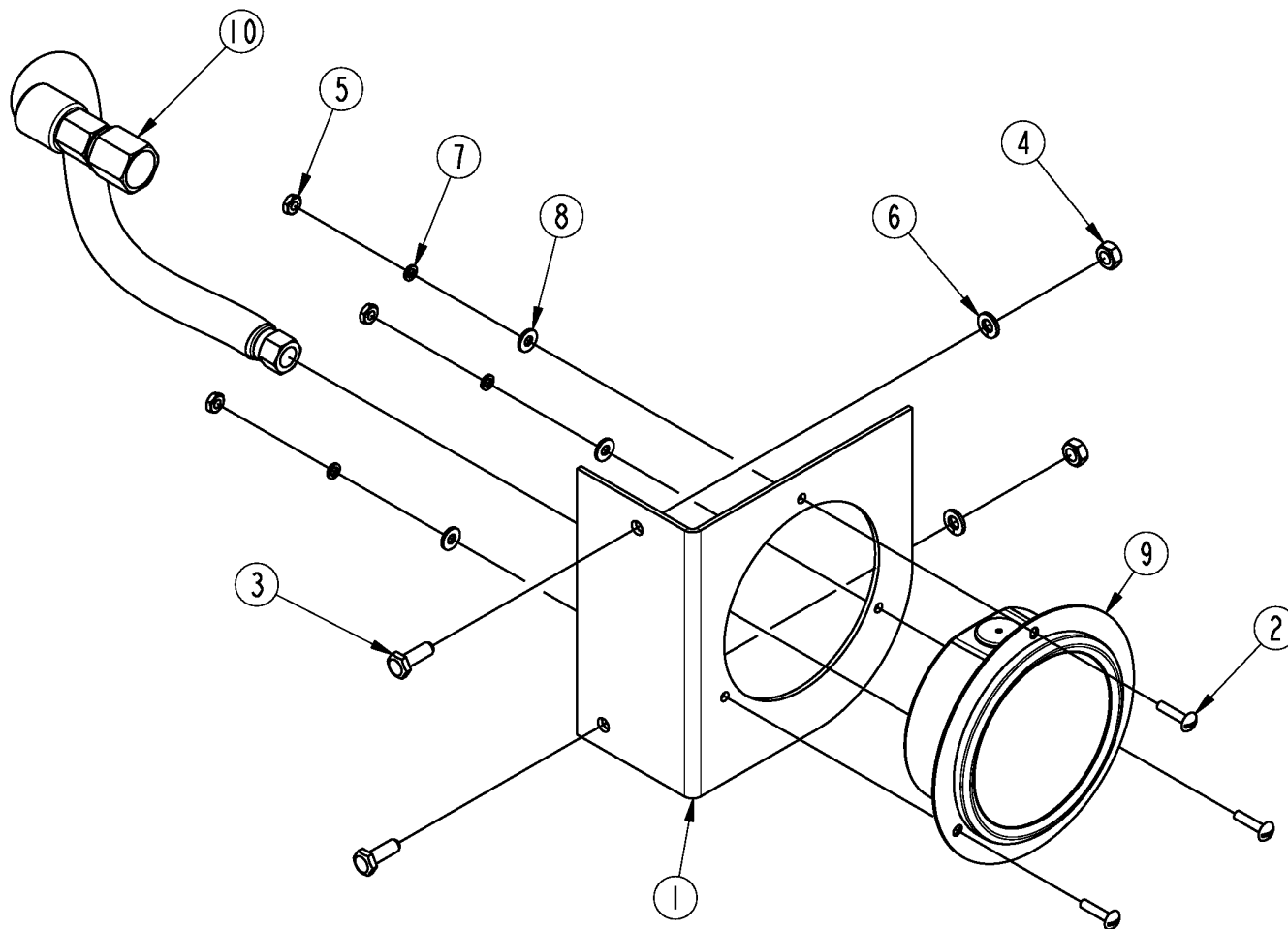
Case Drain Bundle

Applies to AP-SC7072

Ref	Part No.	Part Description	Comments	Revision
	Dwg 70004 326-925A	Image No. CASE DRAIN BUNDLE SC70 *		
1.	800-060C	CABLE TIE .19X14.25 3DIA 50LB		
2.	841-539C	CP 3/8 FEMALE QD 3/8FNPT		
3.	851-755C	AD 7/16MORB 9/16MJIC		
4.	861-082C	HH1/4R2 90.3 3/8MNPT9/16FJIC90		

Pressure Gauge Bundle

Applies to AP-SC7072



70436

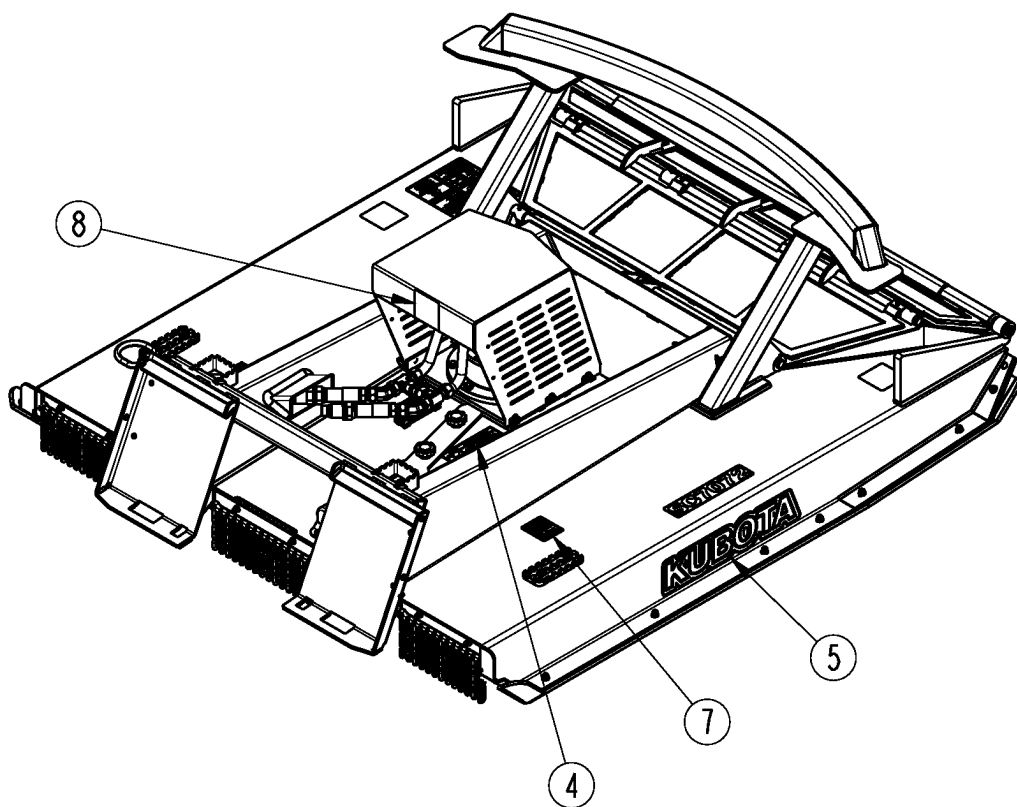
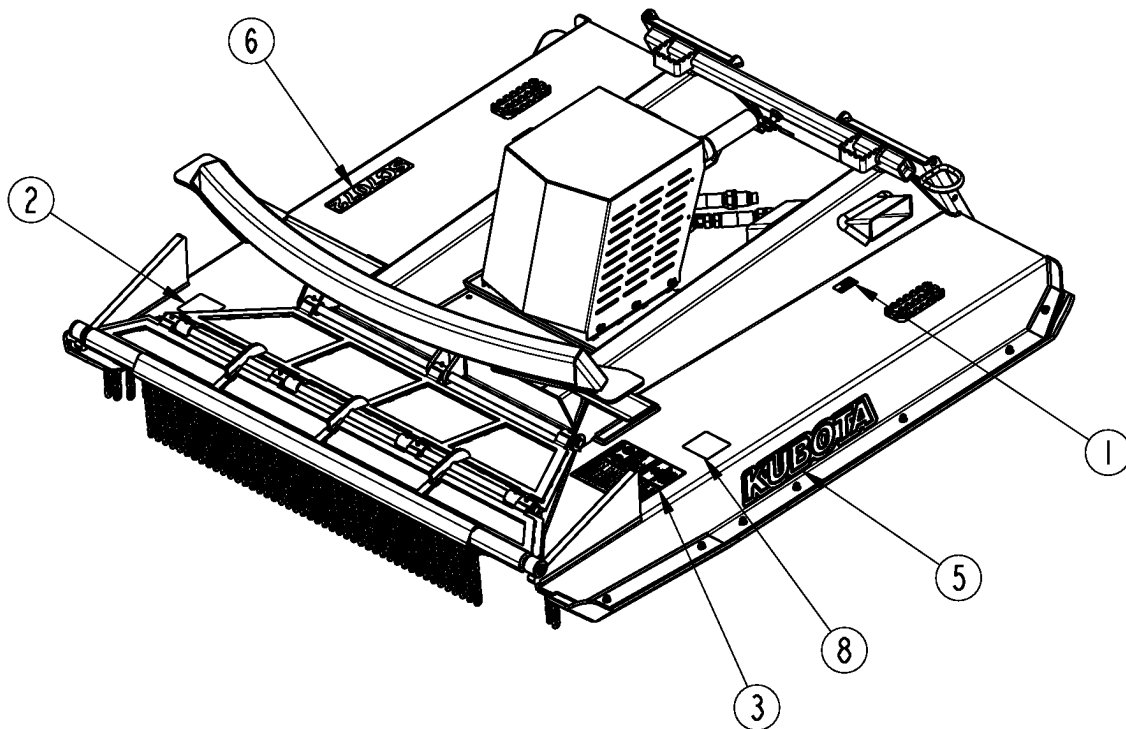
Pressure Gauge Bundle

Applies to AP-SC7072

Ref	Part No.	Part Description	Comments	Revision
	Dwg 70436 326-928A	Image No. PRESSURE GAUGE BUNDLE *		
1.	327-637D	PRESSURE GAUGE MOUNT		
2.	801-262C	SCREW RD HD 8-32 X 3/4 PLT		
3.	802-004C	HHCS 1/4-20X3/4 GR5		
4.	803-006C	NUT HEX 1/4-20 PLT		
5.	803-487C	NUT HEX #8-32 PLT		
6.	804-006C	WASHER LOCK SPRING 1/4 PLT		
7.	804-043C	WASHER LOCK #8		
8.	804-088C	WASHER FLAT #8 SAE PLT		
9.	861-054C	PRESSURE GAUGE 6000 PSI		
10.	861-279C	HH3/8R2 14 3/4FJIC1/4FNPT		

Decals

Applies to AP-SC7072



70437

Decals

Applies to AP-SC7072

Ref	Part No.	Part Description	Comments	Revision
	Dwg 70437	Image No.		
1.	818-190C	DECAL FLAG		
2.	818-555C	DECAL DANGER ROTATE BLADE		
3.	818-830C	DECAL SAFETY COMBO SUNWEST		
4.	818-831C	DECAL WARNING HIGH PRESSURE		
5.	858-400C	DECAL KUBOTA 22"		
6.	858-782C	DECAL SC7072		
7.	858-843C	DECAL DO NOT OPERATE-DANGER		
8.	858-935C	DECAL WARNING ROTATING BLADE		

Kubota Touch-up Paints

Applies to AP-SC7072

No diagram associated with this Parts List

Kubota Touch-up Paints

Applies to AP-SC7072

Ref	Part No.	Part Description	Comments	Revision
1.	821-070C	GLOSS BLACK SPRAY CAN	All Products	
2.	821-070CTU	GLOSS BLACK TOUCH-UP 5OZ		
3.	821-070CQT	GLOSS BLACK QUART		
4.	821-070CGL	GLOSS BLACK GALLON		



Part Number Index

The Part Number Index is a numeric index of all part numbers included in this manual. The index shows what page(s) the part is used on.

<u>Part Number</u>	<u>Page</u>	<u>Part Number</u>	<u>Page</u>
326-095S	15	818-190C	25
326-875H	15	818-555C	25
326-909H	15	818-830C	25
326-910H	15	818-831C	25
326-911H	9	820-491C	7
326-912H	9	820-676C	7
326-915H	7	820-677C	7
326-916H	7	821-070C	27
326-919H	15	821-070CGL	27
326-925A	21	821-070CQT	27
326-928A	23	821-070CTU	27
326-965K	13	826-846C	7
326-966K	13	841-539C	21
326-994K	11	841-608C	19
326-995K	11	841-957C	19
327-206D	15	841-958C	19
327-611D	15	841-961C	19
327-617D	9	842-437C	7
327-618D	9	842-452C	7
327-619D	9	850-314C	19
327-637D	23	850-318C	19
327-641D	19	851-755C	21
327-668D	13	851-771C	19
327-670D	13	858-400C	25
327-671D	13	858-782C	25
327-673D	13	858-843C	25
327-681D	11	858-935C	25
327-752D	11	861-054C	23
327-753D	11	861-082C	21
330-305D	9	861-245C	19
800-001C	9	861-246C	19
800-060C	21	861-279C	23
800-521C	9	861-281C	19
801-262C	23	861-282C	19
802-004C	23	861-284C	19
802-010C	19	861-285C	19
802-015C	15	861-286C	19
802-024C	13	890-341C	11, 13
802-057C	7	890-393C	9
802-128C	19	890-931C	15
802-155C	11	Dwg 70004	21
802-466C	15	Dwg 70430	7
803-006C	23	Dwg 70431	15
803-008C	19	Dwg 70432	9
803-014C	11, 15	Dwg 70433	13
803-022C	7	Dwg 70434	19
803-027C	7	Dwg 70436	23
803-181C	15	Dwg 70437	25
803-209C	13	Dwg 70517	11
803-263C	7		
803-487C	23		
804-006C	23		
804-009C	19		
804-010C	19		
804-012C	11, 13, 15		
804-013C	11, 15		
804-015C	19		
804-016C	19		
804-021C	7		
804-022C	7		
804-023C	7		
804-024C	15		
804-029C	9		
804-043C	23		
804-088C	23		
805-096C	9		
806-268C	19		
816-182C	19		
817-358C	15		
817-387C	15		

This Page Intentionally Left Blank



KUBOTA TRACTOR CORPORATION

1000 Kubota Drive, Grapevine, TX 76051

Telephone: (817) 756-1171

Western Division: 1175 S. Guild Ave., Lodi, CA 95240
Telephone: (209) 334-9910

Central Division: 14855 FAA Blvd., Fort Worth, TX 76155
Telephone: (817) 571-0900

Northern Division: 6300 at One Kubota Way, Groveport, OH 43125
Telephone: (614) 835-1100

Southeast Division: 1025 Northbrook Parkway, Suwanee, GA 30024
Telephone: (770) 995-8855

www.kubota.com
